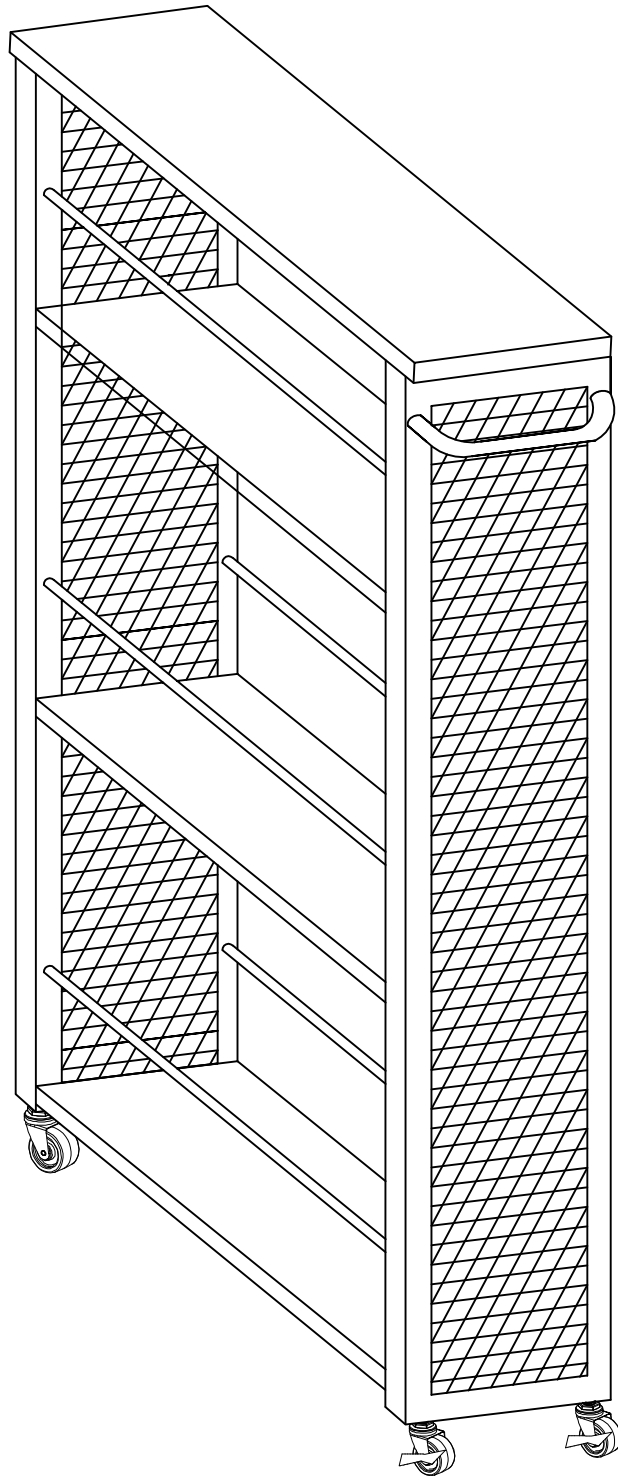
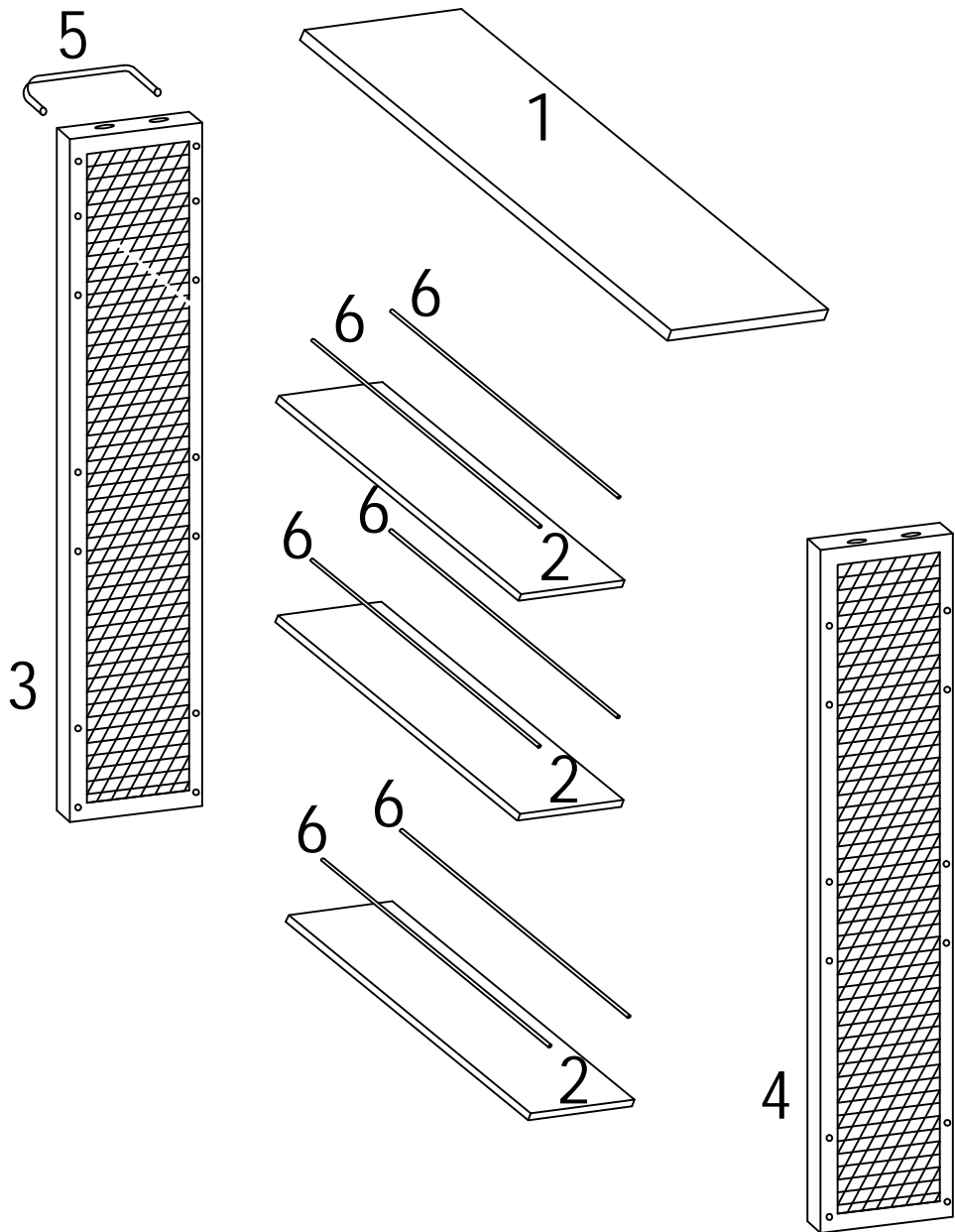



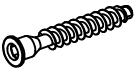








# Tribesigns





<p><b>A</b></p> <p>M6×30mm</p>  <p>4PCS</p>	<p><b>B</b></p> <p>M6×30mm</p>  <p>6PCS</p>	<p><b>C</b></p> <p>M6×15mm</p>  <p>8PCS</p>	<p><b>D</b></p> <p>φ7×60mm</p>  <p>6PCS</p>
<p><b>E</b></p> <p>M6×30mm</p>  <p>6PCS</p>	<p><b>F</b></p> <p>Ø15×12mm</p>  <p>6PCS</p>	<p><b>G<sub>1</sub></b></p>  <p>2PCS</p> <p><b>G<sub>2</sub></b></p>  <p>2PCS</p> <p><b>G<sub>3</sub></b></p>  <p>1PC</p>	<p><b>H</b></p> <p>4mm</p>  <p>1PCS</p>

# Before You Start

## Instructions For CAM-BOLT and CAM-LOCK

**INSERTING AND TIGHTENING CAM-BOLT**

Place Cam-bolt on per-drilled hole and screw in vertically

shoulder is flushed (on the same level) with the panel.

shoulder is above the panel.

Place Cam-bolt on the designated pre-drilled holes on the panel. Use a Phillips Screwdriver to screw-in Cam-bolt vertically until shoulder is flushed (on the same level) with panel.

**INSERTING CAM-LOCK**

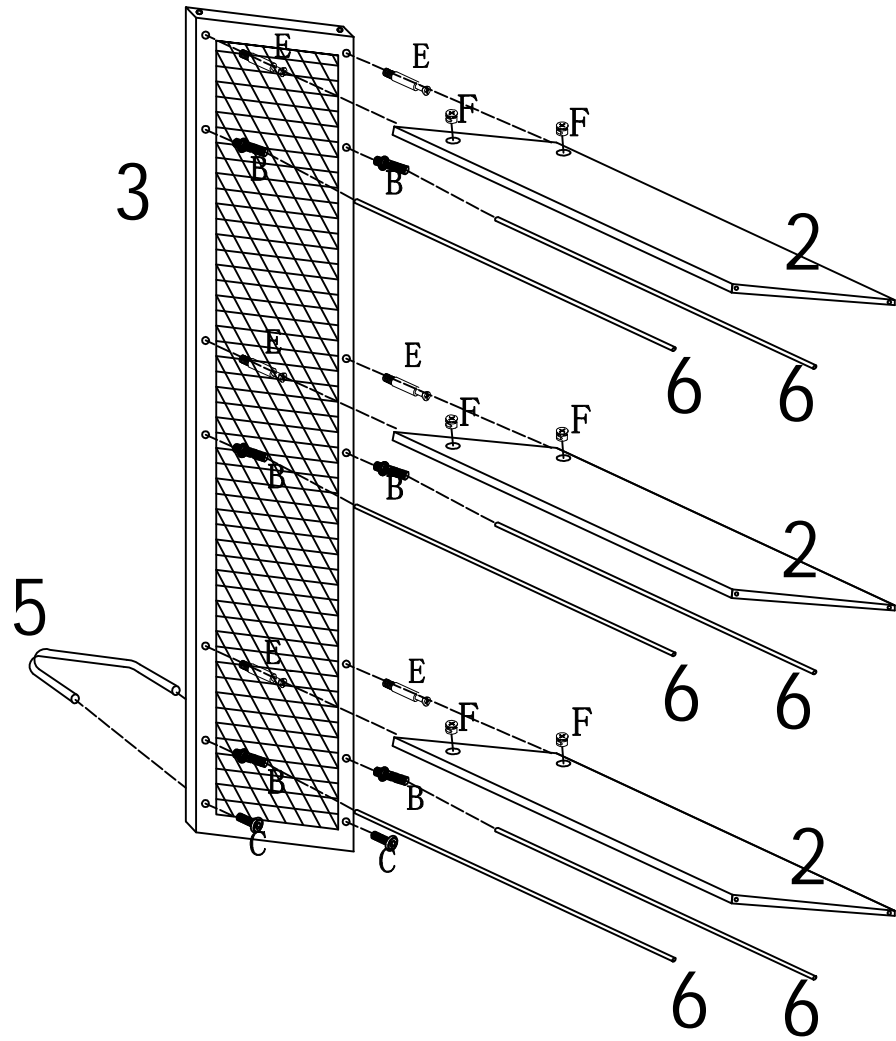
Insert Cam-lock with arrow align to Cam-bolt head



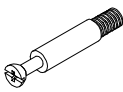


CORRECT      WRONG

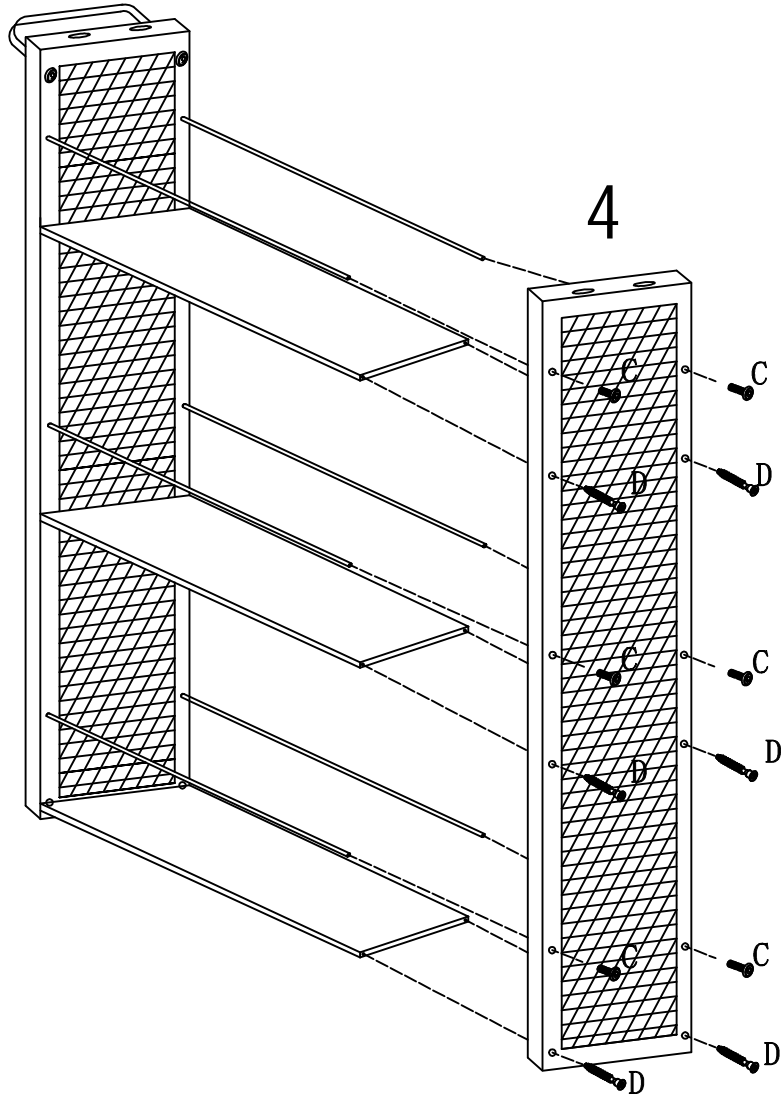
Align the arrow on the Cam-lock to the Cam-bolt head and insert Cam-lock. Ensure Cam-lock is fully inserted.


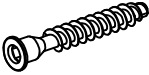

**TIGHTENING CAM-LOCK**

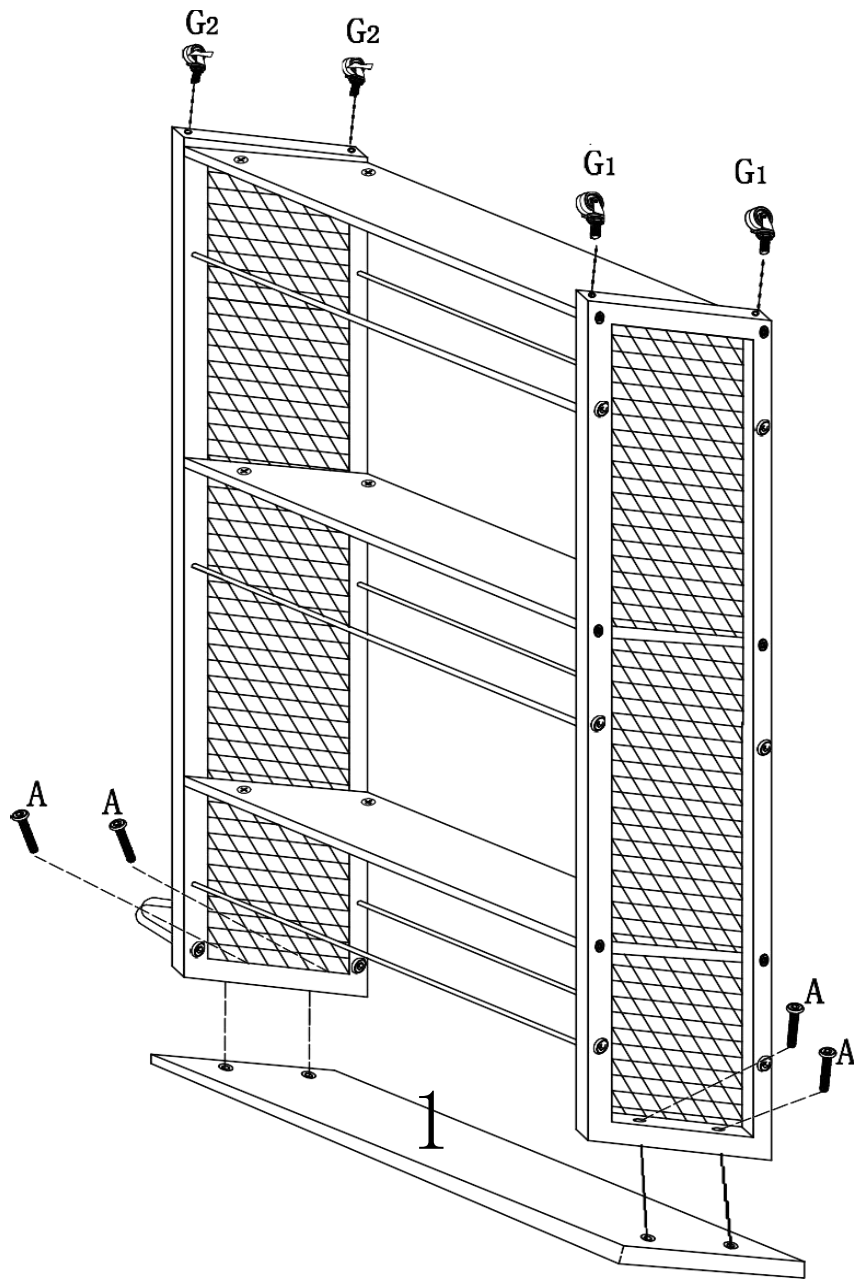
Use a Flat-head Screwdriver to turn Cam-lock clockwise so it locks onto the head of the Cam-bolt. Turn until it is snug (about 3/4ths of a turn) --over-tightening could damage Cam-lock or/and Cam-bolt.








<p><b>B</b></p> <p>M6 × 30mm</p>  <p>6PCS</p>	<p><b>C</b></p> <p>M6 × 15mm</p>  <p>8PCS</p>	
<p><b>E</b></p> <p>M6 × 30mm</p>  <p>6PCS</p>	<p><b>F</b></p> <p>Ø15 × 12mm</p>  <p>6PCS</p>	<p><b>H</b></p> <p>4mm</p>  <p>1PCS</p>



<p>C</p> <p>M6×15mm</p>  <p>8PCS</p>	<p>D</p> <p>φ7×60mm</p>  <p>6PCS</p>	<p>H</p> <p>4mm</p>  <p>1PCS</p>
---	---	---



<p>A</p> <p>M6 × 30mm</p>  <p>4PCS</p>	<p>G1</p>  <p>2PCS</p>	<p>G2</p>  <p>2PCS</p>	<p>G3</p>  <p>1PC</p>	<p>H</p> <p>4mm</p>  <p>1PCS</p>
---	---	---	---	---

Thanks for choosing Tribesigns product, your satisfaction is our priority. If you have any installation problems or any damages caused by shipping, feel free to contact us at "support@tribesigns.com", our friendly customer service will solve problem for you.