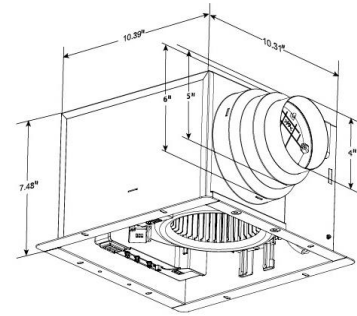




Specifications

**ABF 110 L6 Series**

Quiet Bathroom Ventilation Fan with LED Light and Nightlight



**Description:** Low RPM, low noise, ceiling mount bathroom fan with 10W 3000K 800 Lumens LED light and nightlight engineered for continuous operation • Suitable for new construction, or remodeling • HVI certified • ENERGY STAR qualified • ETL/cETL listed for use in insulated ceilings (Type I.C.).

**Motor/Blower:** Permanently lubricated high performance AC motor engineered for continuous operation; power rating 120v/60Hz; motor equipped with thermal shut off.

**Housing:** Galvanized steel body; duct connector adapts to 4", 5" or 6", built-in back draft dampener; quick easy-mount anti-vibration brackets included; designed for installation in ceilings with minimum of 8" clearance.

**Grille:** Low maintenance, wipe clean; attaches to housing with torsion springs.

**Light:** Energy efficient dimmable 10W LED with 0.7W night light

**Finishes:** White (W); Satin Nickel (S); Oil Rubbed Bronze (OR).

**Ventilating Area:** For bathrooms up to 110 sq ft.

**Installation:** Must be installed by licensed professional. Complete installation instructions included.

**Warranty:** 6 Years

**Architect's Specifications:** Ventilation fan will be ceiling mount, ENERGY STAR qualified, with no less than 110 CFM and no more than 0.9 Sones as certified by HVI at 0.1 static pressure in inches water gauge. Power consumption shall be no greater than 25.2 watts and ENERGY STAR rated with an efficiency rating of no less than 4.38 CFM/watt. The motor will be permanently lubricated, engineered for continuous operation. Duct diameter will be 4", 5", or 6" round. Fan shall be listed for tub/shower enclosure when used with GFCI branch circuit wiring and shall be ETL/cETL listed for use in insulated ceiling (Type I.C.). Light shall be 10W 3000K LED light. and include one 0.7W LED night light. Fan shall be ASHRAE 62.2, LEED, California Title 24, and Washington VIAQ compliant.

ETL/cETL Listed for installation over tub/shower enclosure when used with GFCI circuit wiring

L6 (OR) • L6 (SN) • L6 (W) Grille



Model: ABF 110 L6 Series	4" Duct	
Static Pressure (inches w.g.)	0.1	0.25
Air Volume (CFM)	110	88.3
Noise (sones)	0.9	1.0
Power Consumption (Watts)	25.2	23.4
Energy Efficiency (CFM/Watts)	4.38	3.57
Speed (RPM)	1080	N/A
ENERGY STAR rated	Yes	
Grille Dimensions	13" x 13"	

Model	Qty	Comments	Project
			Location
			Architect
			Engineer
			Contractor
			Submitted by
			Date