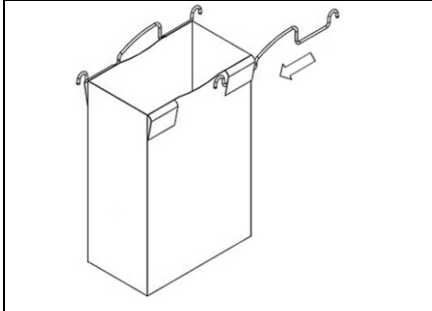
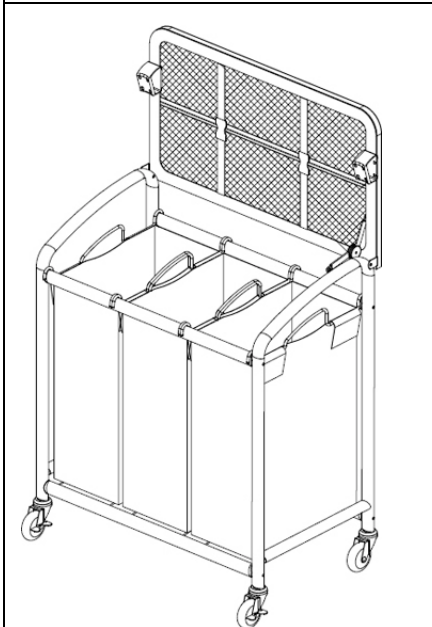


Step 4: Starting from the outside of the frame, use two **Medium Screws (O)** to attach the table top. Then use one medium screw and the **Washer (P)** to secure the hinge.



Step 5: Slide the **Handles (I)** through the loops of **Laundry Bags (J)**.



Step 6: Place laundry bags in the cart. Additional parts and accessories are available for purchase online:

www.sevilleclassics.com



Single Laundry Bag with Handles (Item No. WEB140)



Table Cover (Item No. WEB156)

YM120423

3-BAG LAUNDRY SORTER WITH TABLE TOP

Model No. 16172

ASSEMBLY INSTRUCTIONS



Customer Service

Tel 1.310.533.3800

Tel 1.800.323.5565

Fax 1.310.533.3899

Monday through Friday 8:30 am - 4:30 pm (Pacific Time)



Seville Classics, Inc.

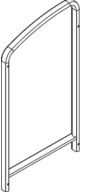
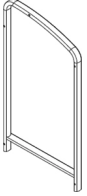

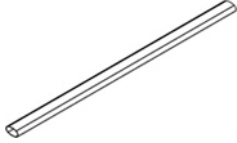
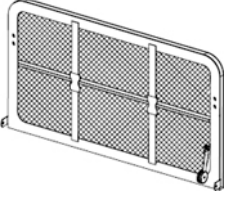

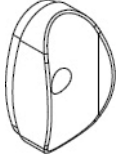

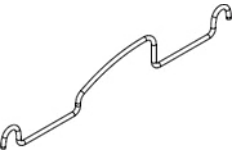
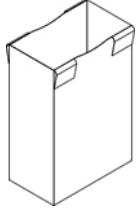
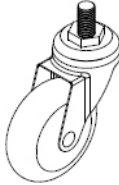
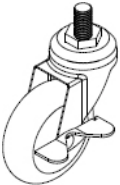
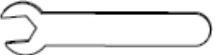
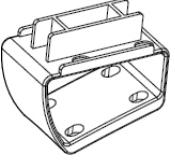


Torrance, CA 90501 USA

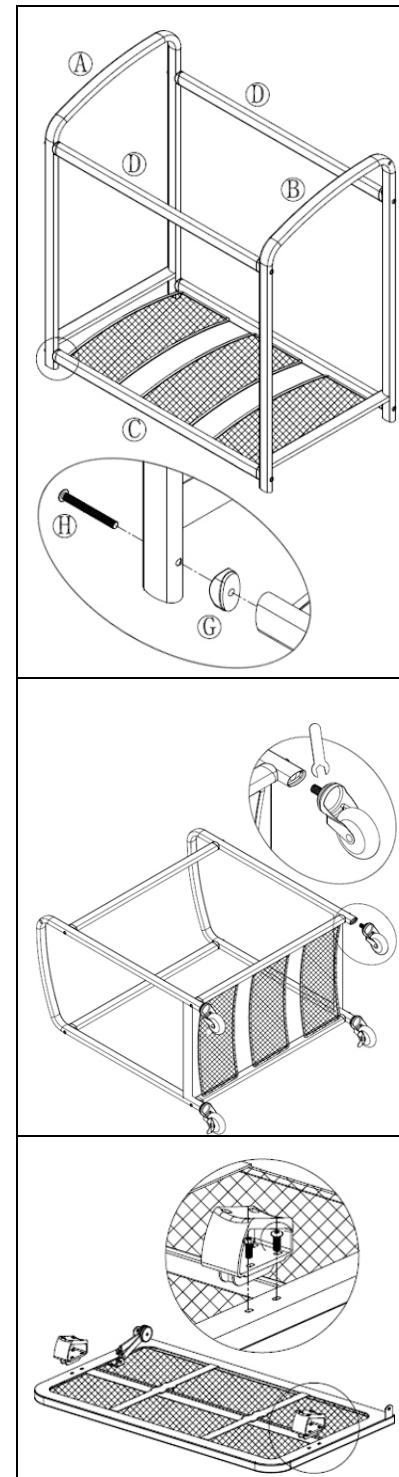
www.sevilleclassics.com

Please read and save these instructions

©2012 Seville Classics, Inc.

Please make sure you have all the parts before assembly.

A	1 pc	B	1 pc	C	1 pc	D	2 pcs
Left Frame		Right Frame		Bottom Panel		Bars	
							
E	1 pc	F	4 pcs	G	8 pcs	H	8 pcs
Table Top		Small Screws		Connectors		Large Screws	
							
I	6 pcs	J	3 pcs	K	2 pcs	L	2 pcs
Handles		Laundry Bags		Wheels		Locking Wheels	
							
M	1 pc	N	2 pcs	O	3 pcs	P	2 pcs
Wrench		Brackets		Medium Screws		Washer	
							



Step 1: Assemble the **Bottom Panel (C)** and **Bars (D)** to the **Left Frame (A)** and **Right Frame (B)** using **Large Screws (H)** and **Connectors (G)**. The bottom panel curves up for added bag support.

Step 2: Screw the **Wheels (K)** and **Locking Wheels (L)** into the bottom ends of the frame using the **Wrench (M)**. The locking wheels are the front wheels.

Step 3: Attach the **Brackets (N)** to the **Table Top (E)** using **Small Screws (F)**. A screw driver can reach the small screws through the holes in the bracket.