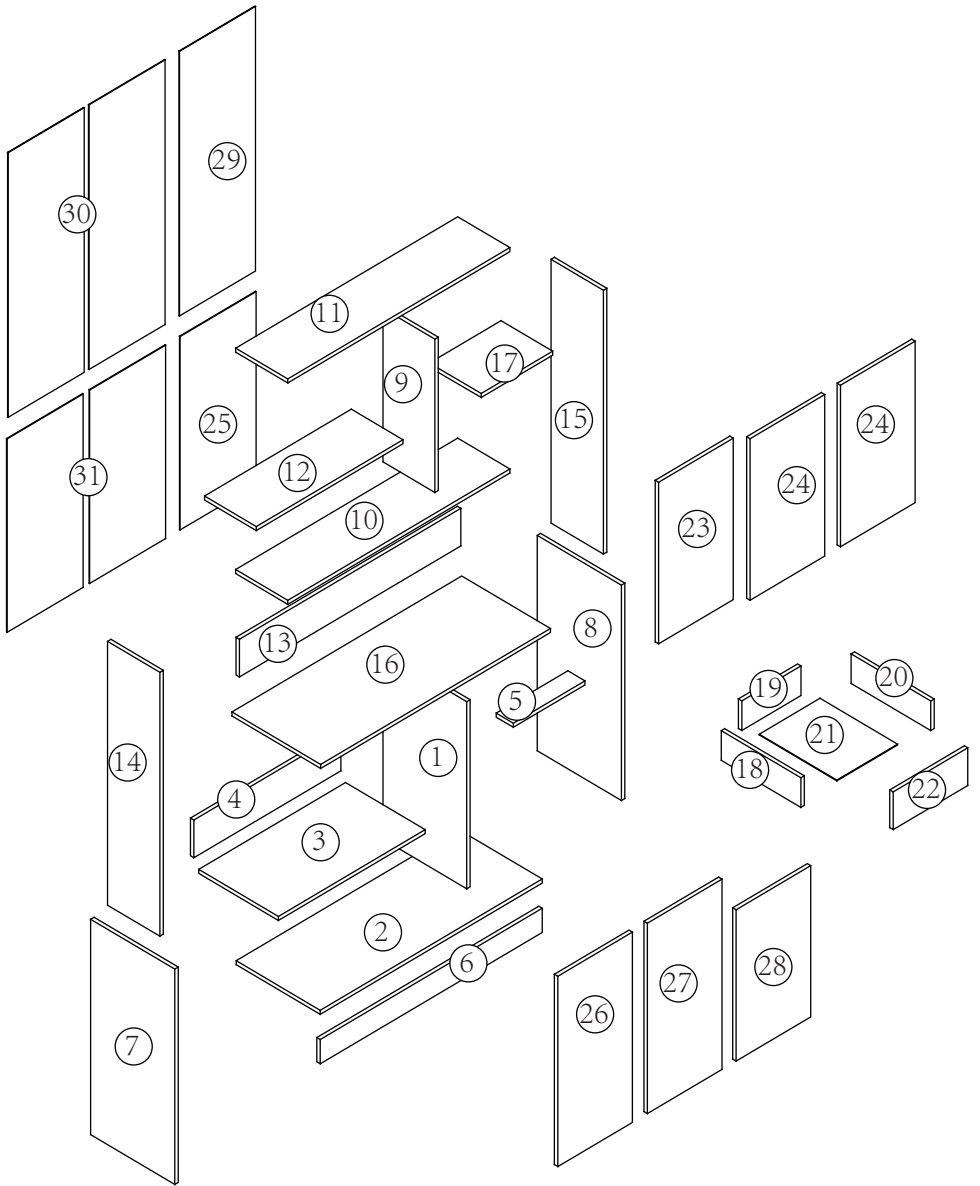


















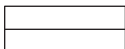

















Please read these instructions and warranty information carefully before use and keep them properly for future reference.



PACKING DETAILS:TOTAL 2 BOXES

BOX 1/2:









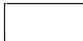


PARTNO.	PARTS	QTY
2		x1
4		x1
6		x1
7		x1
8		x1
10		x1
11		x1
13		x1
14		x1
15		x1
16		x1
17		x1
18		x1
20		x1
21		x1
22		x1
25		x1
29		x1
30		x1
31		x1

PART NO.	PARTS	QTY
A		x41
B		x36
C		x2
D		x58
E		x8
F		x12
G		x7
H		x12
I		x38
J		x10
K		x2
L		x5
M		x22
N		x2

This product is packed in 2 outer boxes.
Please install it after all. Thank you!

PACKING DETAILS:TOTAL 2 BOXES

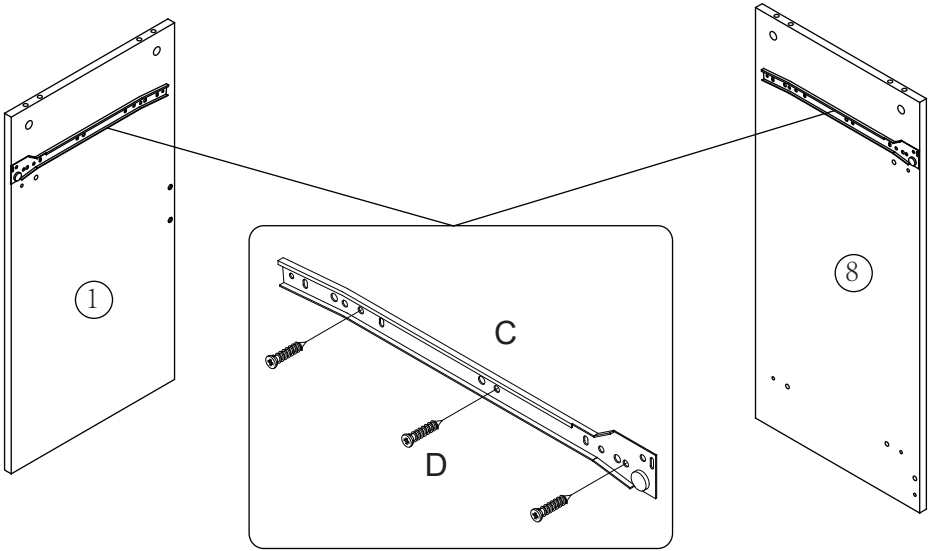
BOX 2/2:

PARTNO.	PARTS	QTY
①		x1
③		x1
⑤		x1
⑨		x1
⑫		x1
⑰		x1
⑳		x1
㉒		x2
㉔		x1
㉖		x1
㉘		x1

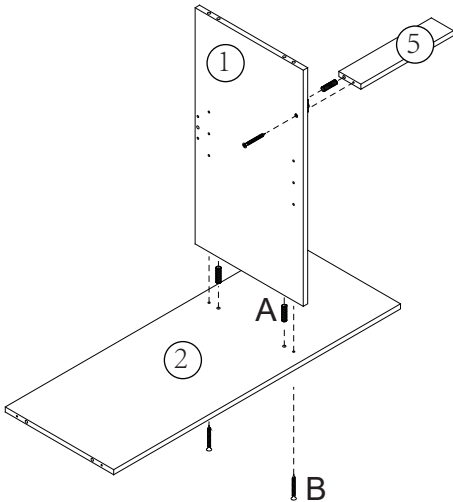
This product is packed in 2 outer boxes.Please install it after all.Thank you!

Assembly Instructions

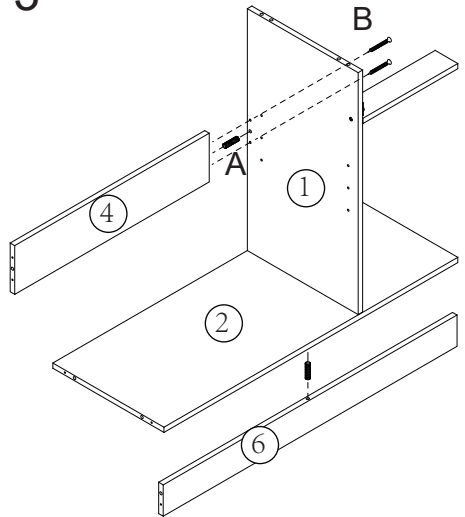
1



2

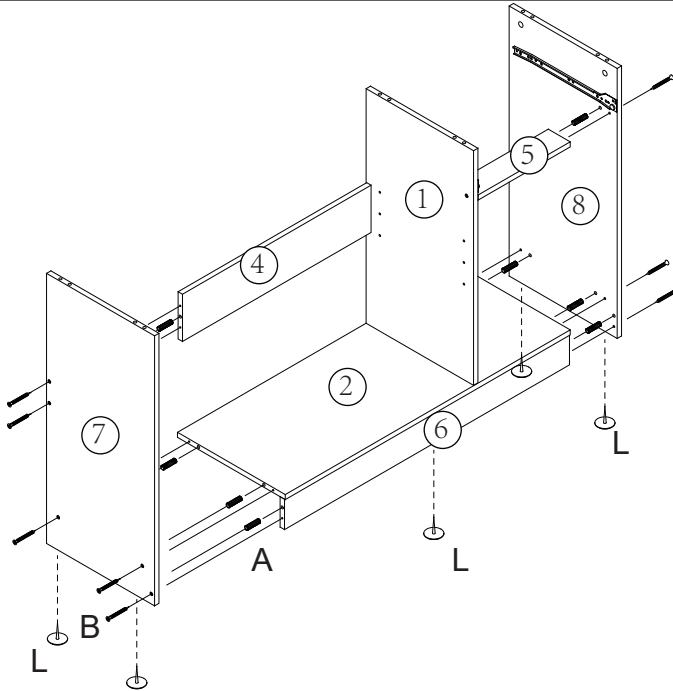


3

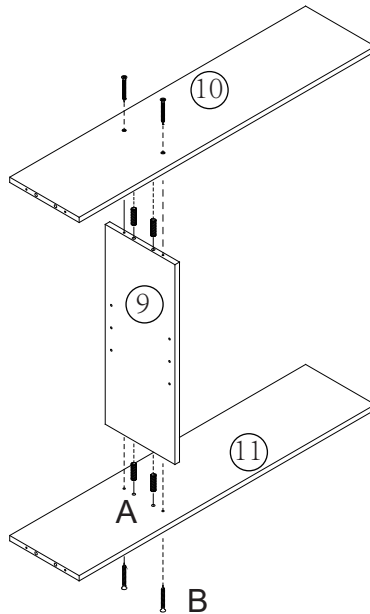


Assembly Instructions

4

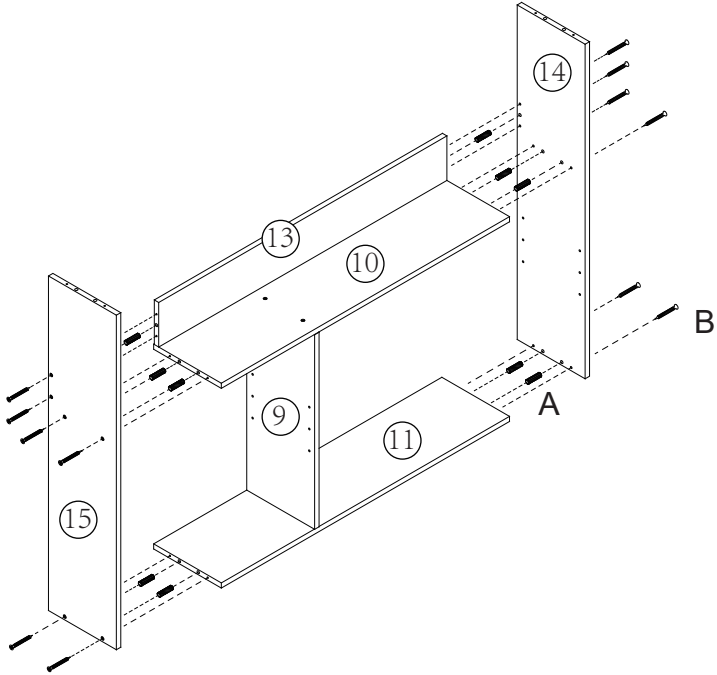


5

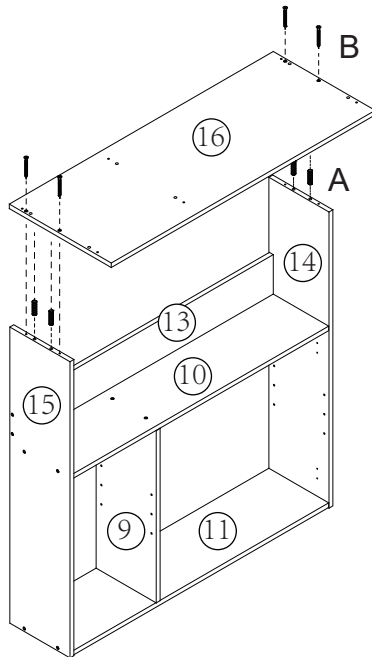


Assembly Instructions

6

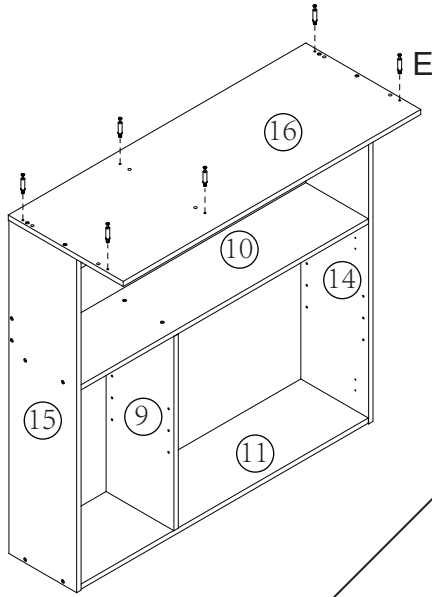


7

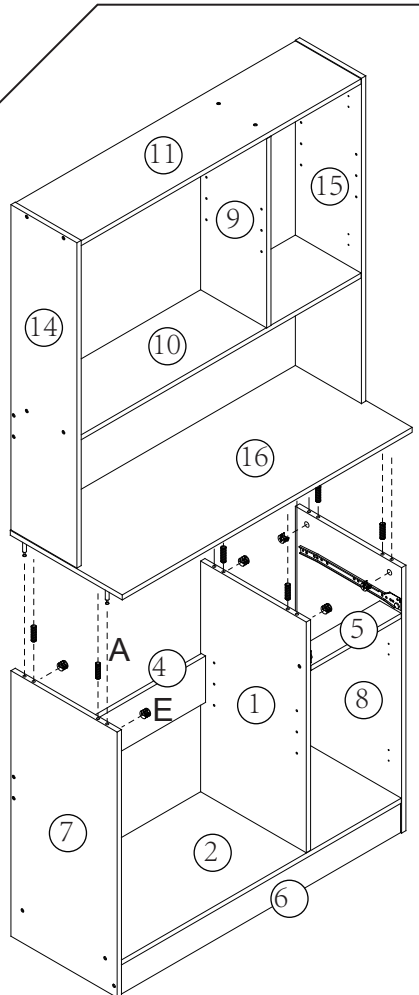


Assembly Instructions

8

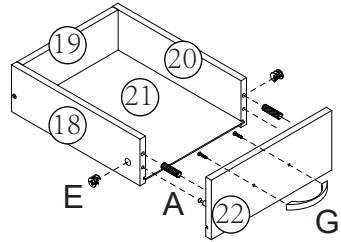
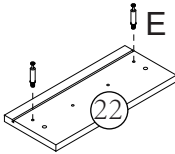
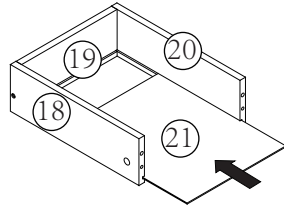
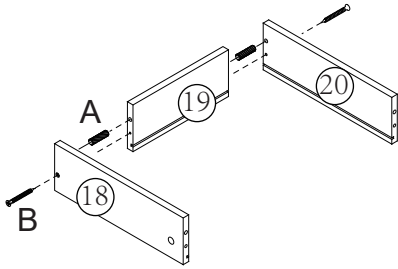


9

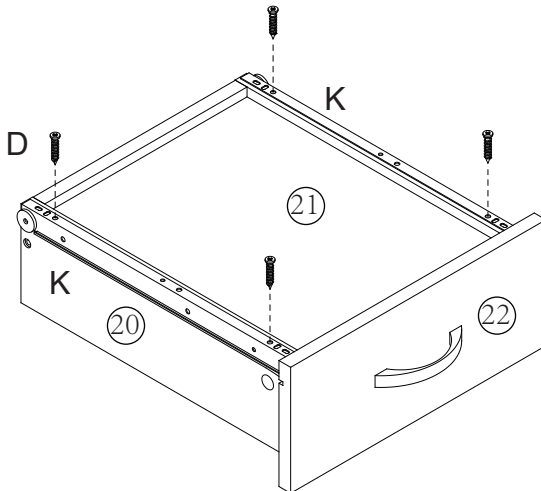


Assembly Instructions

10

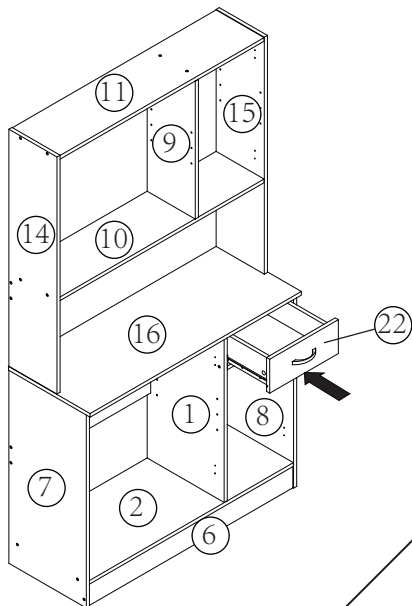


11

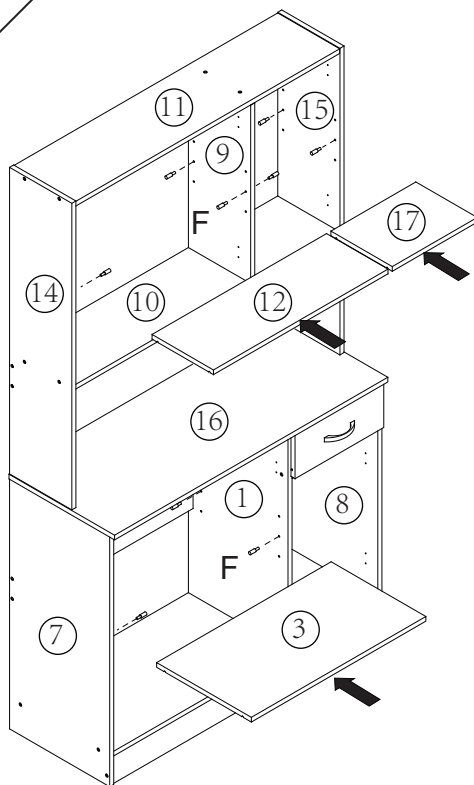


Assembly Instructions

12

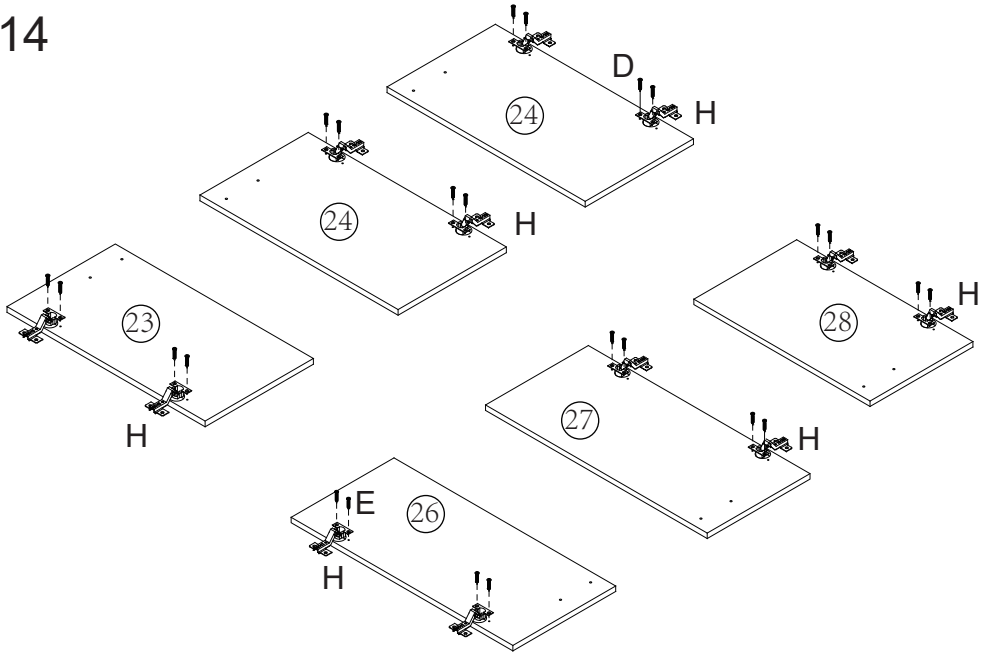


13

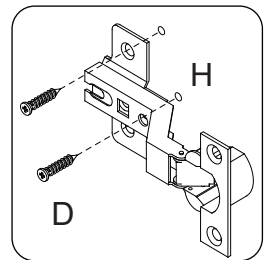
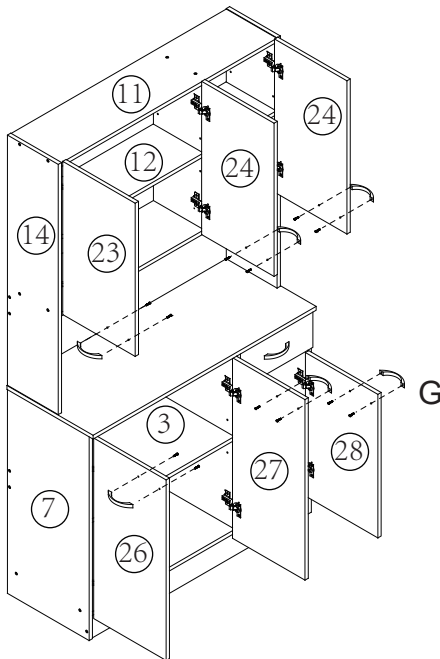


Assembly Instructions

14

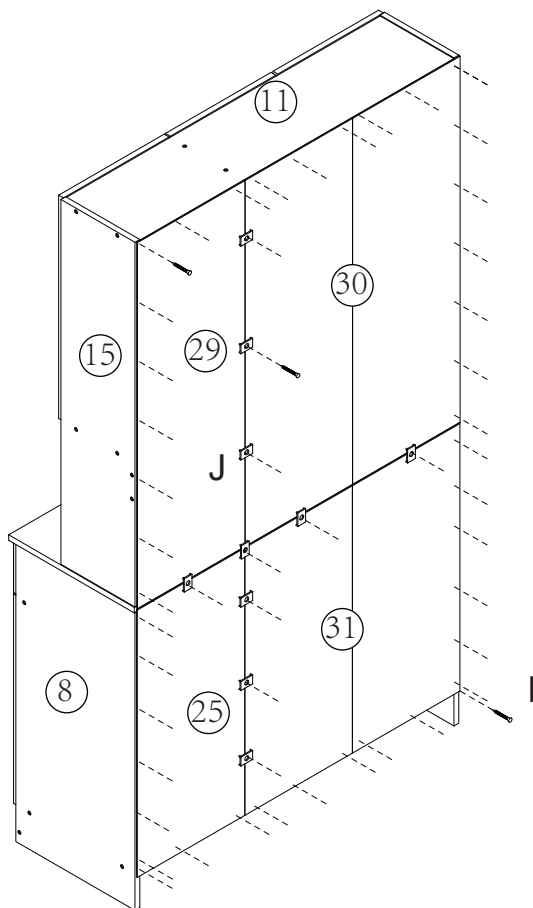


15



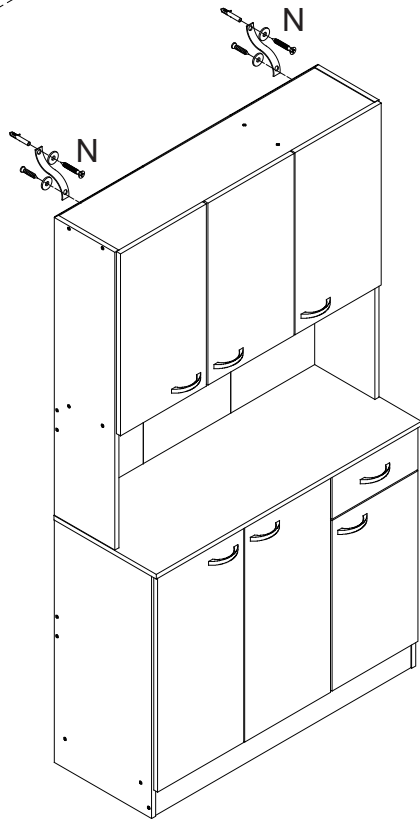
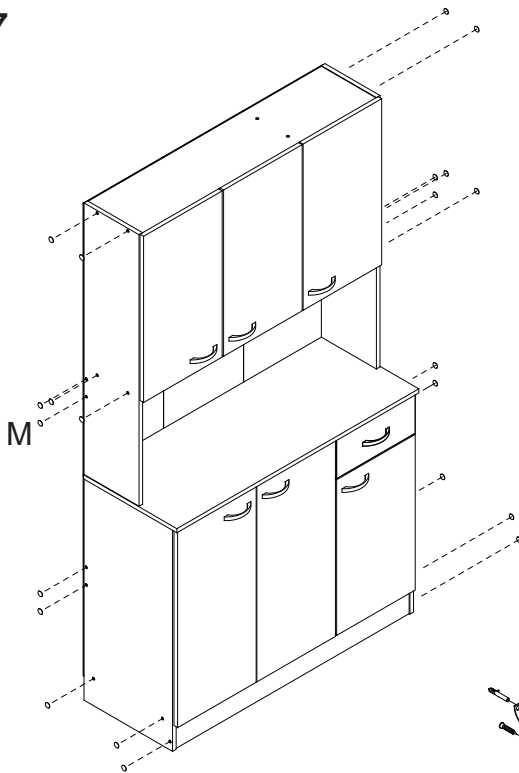
Assembly Instructions

16

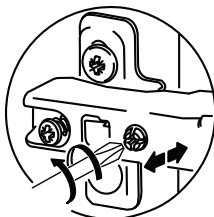
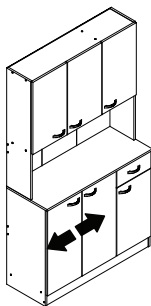
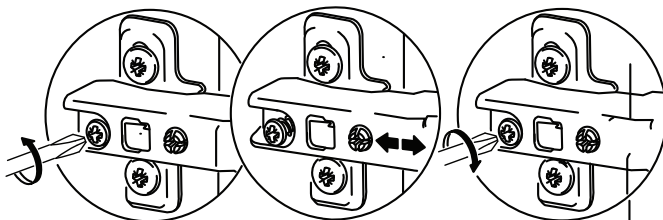
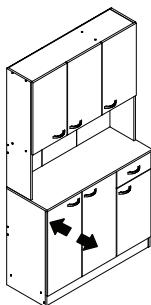
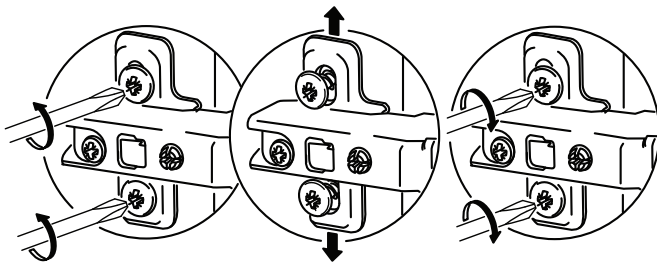
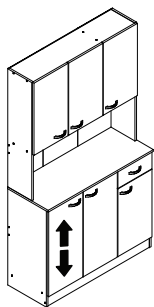


Assembly Instructions

17



Assembly Instructions



US



001-877-644-9366
customerservice@aosom.com

CA



001-855-537-6088
customerservice@aosom.ca

UK



0044-800-240-4004
enquiries@mhstar.co.uk

DE



0049-(0)40-88307530
service@aosom.de

FR



0033-1-84166106
contact@aosom.fr

ES



0034-931294512
atencioncliente@aosom.es

IT



0039-0249471447
clienti@aosom.it