

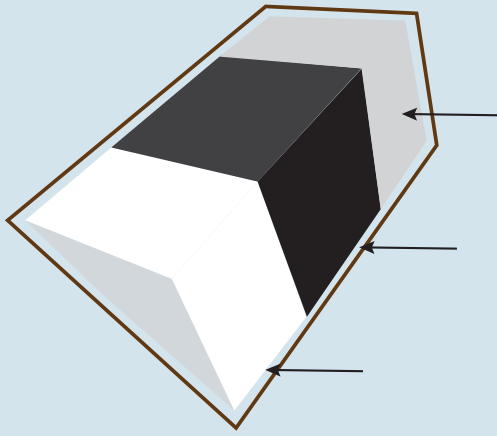
TUFF TANK

HEALTH GARD
INNER LINING

LOW PROFILE

400 GAL WATER TANK





3 LAYER CONSTRUCTION (All material approved by the F.D.A.)
INNER LAYER: Health Gard Safety Lining-antibacterial properties which prevents bacteria, fungus and algae from forming, ensuring your water is safe to consume.

MIDDLE LAYER: Black material keeps all sunlight out which prevents algae from forming, thus keeping your water free of algae.

OUTER LAYER: Premium outer colour for a beautiful finish. UV resistant, and reduces heat absorption. See standard colors below.



TUFF TOP

Cover designed with anti-sink features to withstand weight and not sink in.



TIE DOWN LUGS

4 lugs at each shoulder to secure tank from heavy winds and allows for easy lifting/ handling.



12" OFFSET MANWAY COVER

Provides easy plumbing access for cleaning purposes.



4" RAINWATER PORT

Molded inlet port for rainwater harvesting. (Rainwater Catchment sold separately).



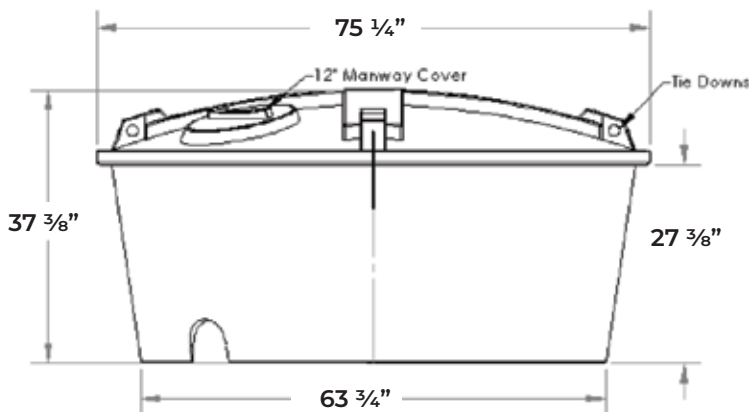
STACKABLE DESIGN

Tapered design stacks closely together with minimal lost space. Each stack allows up to 50 tanks high.

One 40Ft container can hold 4 stacks of 50 tanks. (200 tanks total)

AVAILABLE COLORS

White.



Distributed by: