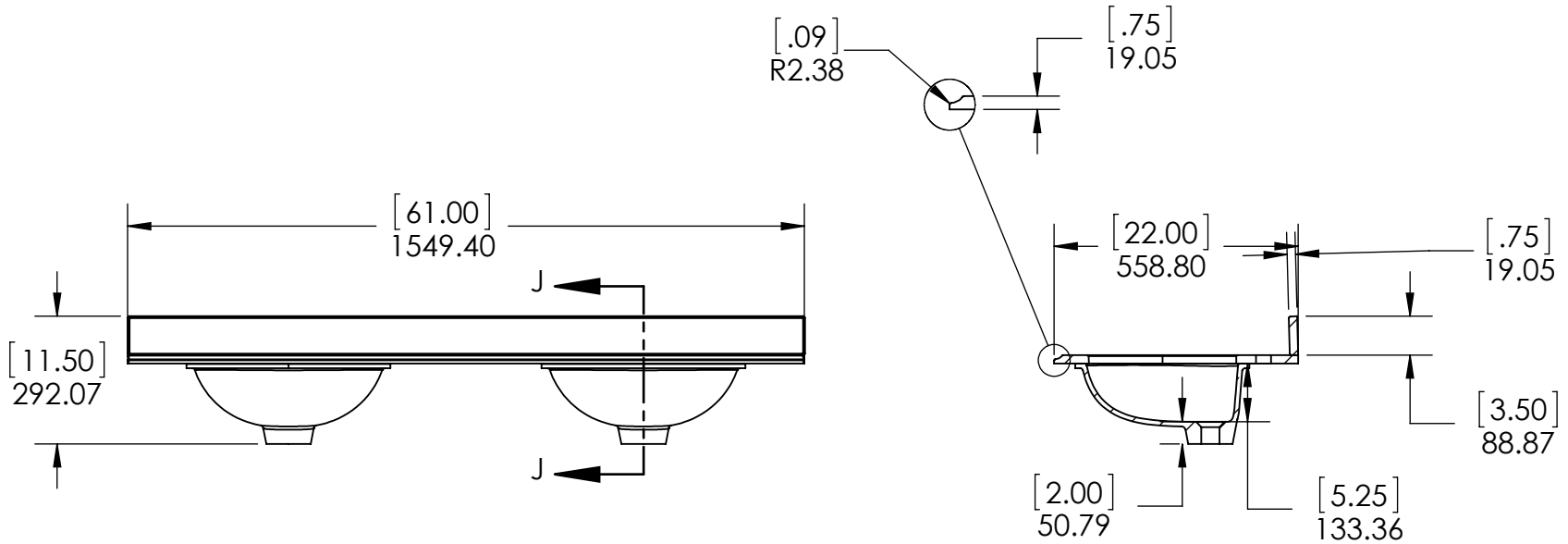
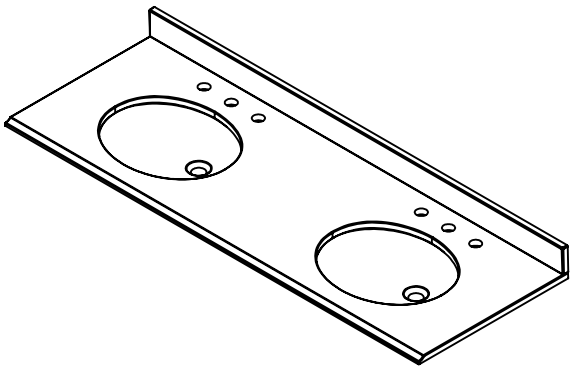
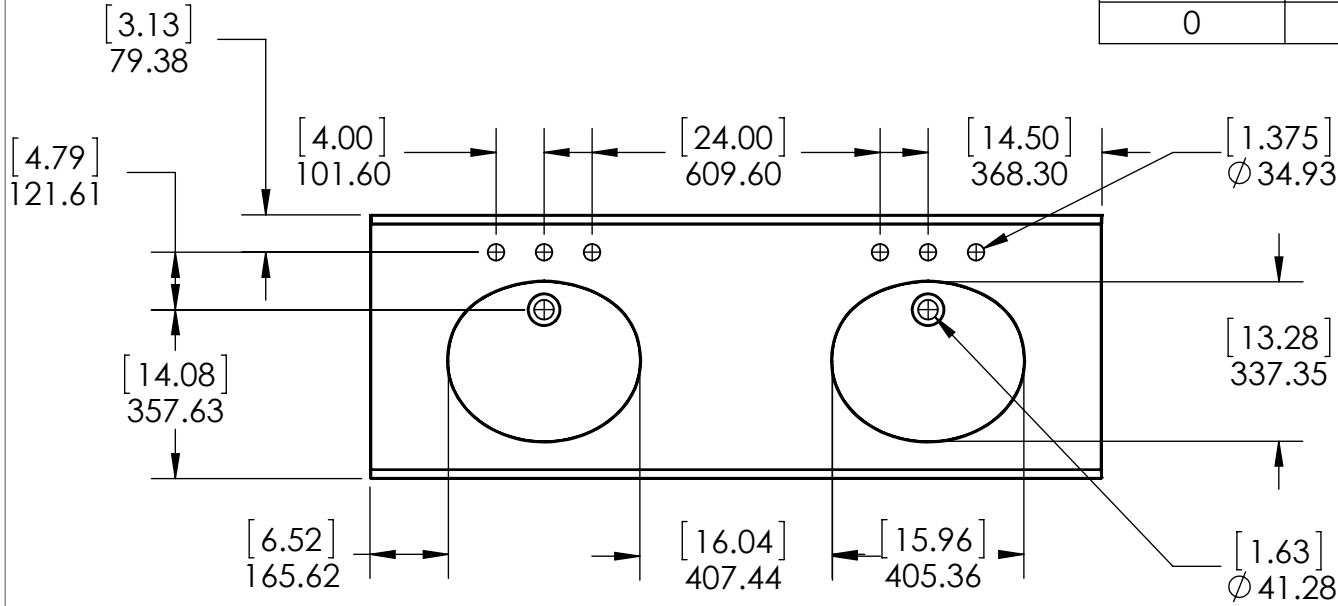


Rev #	Approved by	Change
0	R. Rubio	Released



PROPRIETARY AND CONFIDENTIAL
 THE INFORMATION CONTAINED IN THIS DRAWING IS THE SOLE PROPERTY OF WOODCRAFTERS. ANY REPRODUCTION IN PART OR AS A WHOLE WITHOUT THE WRITTEN PERMISSION OF WOODCRAFTERS IS PROHIBITED.

UNLESS OTHERWISE SPECIFIED
 DIMENSIONS ARE IN MM. AND [INCHES]
 TOLERANCES ARE
 +0.125 [3.175] -0.125 [-3.175]
 SCALE:1:16

	NAME	DATE
DRAWN	J. Martinez	08/12/16
CHECKED	E. Sandoval	08/12/16
ENG APPR.	R. Rubio	08/12/16
MFG APPR.	C. Leal	08/12/16



SIZE	DWG. NO.	SHEET 1 OF 2
A	Shark Tank 61x22 Oval	REV: 0

ID	Description	Technology	Status
SS6122O-GI	Glacier Bay 61 in. Solid Surface Double Basin Vanity Top in Ginger with White Basins	Solid Surface	Approved for production
CP6122O-MA	Glacier Bay 61 in. Colorpoint Double Basin Vanity Top in Maui with White Basins	Color Point	Approved for production
SE6122O-MI	Home Decorators 61 in. Stone Effects Double Basin Vanity Top in Mayan Ivory with White Basins	Stone Effect	Approved for production
SE6122O-RU	Home Decorators 61 in. Stone Effects Double Basin Vanity Top in Rustic Gold with White Basins	Stone Effect	Approved for production
SE6122O-WM	Home Decorators 61 in. Stone Effects Double Basin Vanity Top in Winter Mist with White Basins	Stone Effect	Approved for production
SE6122O-DN	Home Decorators 61 in. Stone Effects Double Basin Vanity Top in Dune with White Basins	Stone Effect	Approved for production
SE6122O-AV	Home Decorators 61 in. Stone Effects Double Basin Vanity Top in Avalon with White Basins	Stone Effect	Approved for production
SE6122O-CO	Home Decorators 61 in. Stone Effects Double Basin Vanity Top in Cold Fusion with White Basins	Stone Effect	Approved for production

Rev #	Approved by	Change
0	R. Rubio	Released

PROPRIETARY AND CONFIDENTIAL
 THE INFORMATION CONTAINED IN THIS DRAWING IS THE SOLE PROPERTY OF WOODCRAFTERS. ANY REPRODUCTION IN PART OR AS A WHOLE WITHOUT THE WRITTEN PERMISSION OF WOODCRAFTERS IS PROHIBITED.

UNLESS OTHERWISE SPECIFIED
 DIMENSIONS ARE IN MM. AND [INCHES]
 TOLERANCES ARE
 + 0.125 [3.175] - 0.125 [-3.175]
 SCALE:1:16

	NAME	DATE
DRAWN	J.Martinez	08/12/16
CHECKED	E. Sandoval	08/12/16
ENG APPR.	R. Rubio	08/12/16
MFG APPR.	C. Leal	08/12/16


 WOODCRAFTERS
 SIZE DWG. NO. SHEET 2 OF 2
 A Shark Tank 61x22 Oval REV: 0