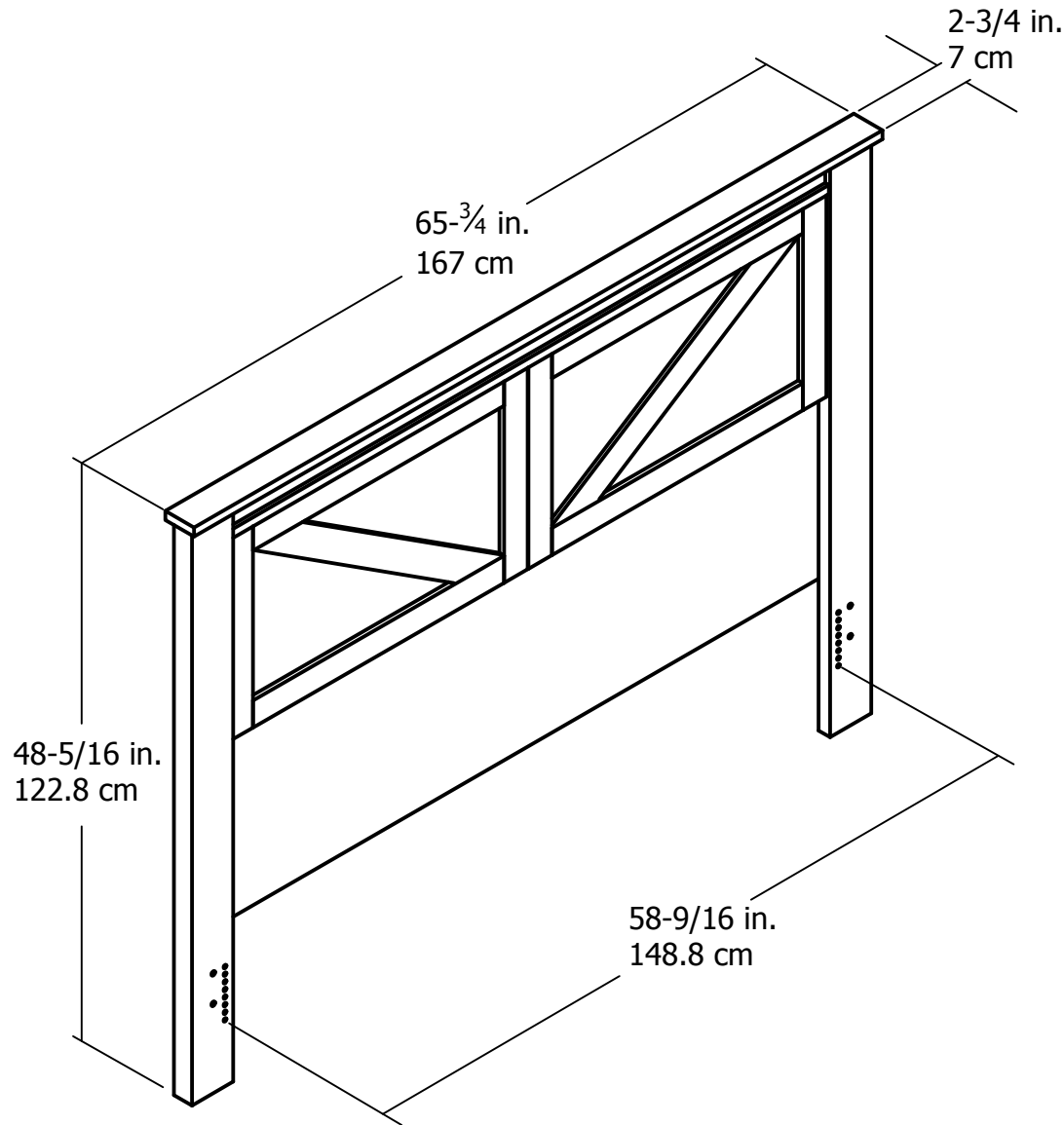


UNIT DESCRIPTION  
**HEADBOARD**

ASSEMBLED DIMENSIONS (H X W X D)

48-<sup>5</sup>/<sub>16</sub> in. H x 65-<sup>3</sup>/<sub>4</sub> in. W x 2-<sup>3</sup>/<sub>4</sub> in. D  
122.8 cm H x 167 cm W x 7 cm D



FINISH: CENTURY BARN PINE (215)

UNIT WEIGHT: 60 LBS (39 kg)

WOOD BREAKDOWN: 95%

FITS MOST QUEEN SIZE FRAME