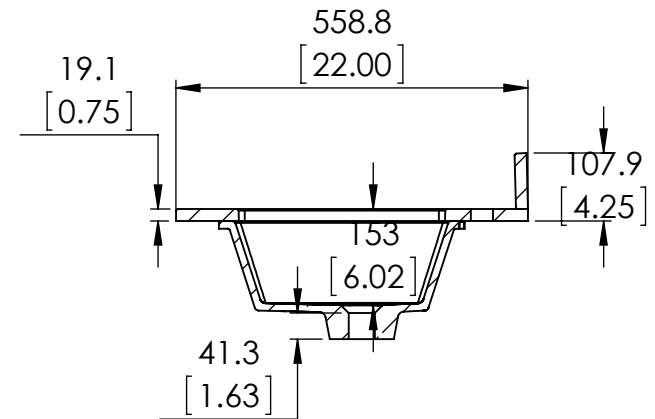
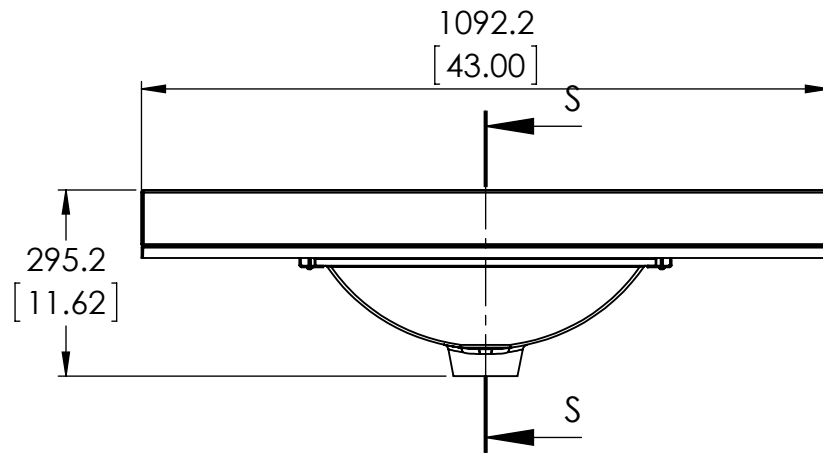
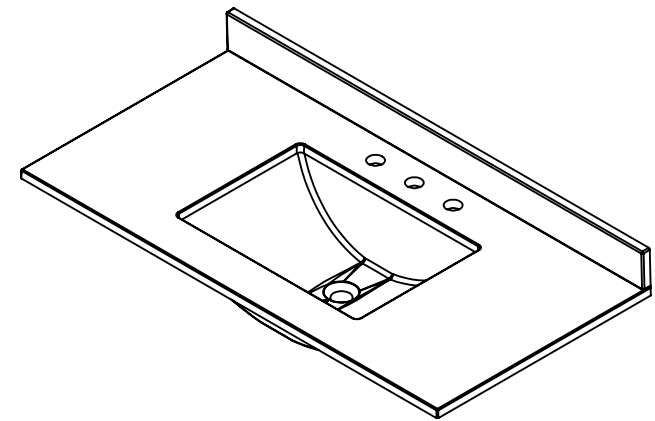
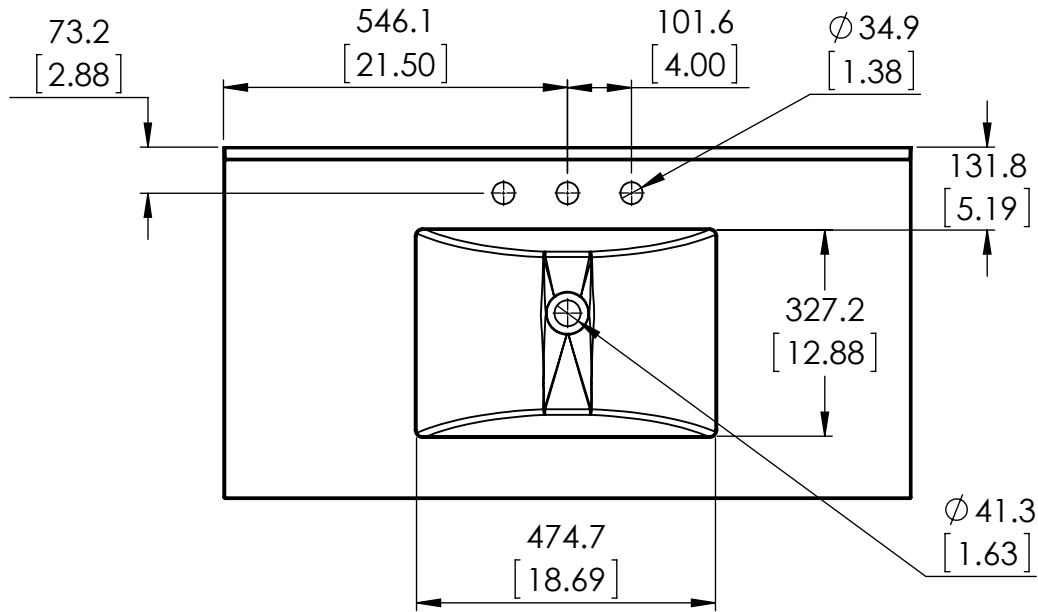


ITEM TYPE	ITEM ID	ITEM DESCRIPTION	DRAWING STATUS
FG	SE43R-LR	Vtop SE Rect 43 x 22 8in Lunar	
FG	SE43R-PR	Vtop SE Rect 43 x 22 8in Pulsar	
FG	SE43R-WM	Vtop SE Rect 43 x 22 8in Winter Mist	

REV	DESCRIPTION	DATE	APPROVAL
0	RELEASED	10/08/19	E. SANDOVAL
1			



PROPRIETARY AND CONFIDENTIAL
 THE INFORMATION CONTAINED IN THIS DRAWING IS THE SOLE PROPERTY OF WOODCRAFTERS. ANY REPRODUCTION IN PART OR AS A WHOLE WITHOUT THE WRITTEN PERMISSION OF WOODCRAFTERS IS PROHIBITED.

UNLESS OTHERWISE SPECIFIED
 DIMENSIONS ARE IN MM. AND [INCHES]
 TOLERANCES ARE
 + 3.175 [.125] - 3.175 [0.125]
 SCALE: 1:12

	NAME	DATE
DRAWN	O. Razo	10/08/2019
CHECKED	E. SANDOVAL	10/08/2019
ENG APPR.	W. Amaya	10/08/2019
MFG APPR.	A. Casiano	10/08/2019


 SHEET 1 OF 1
 DWG. NO. **A** FG