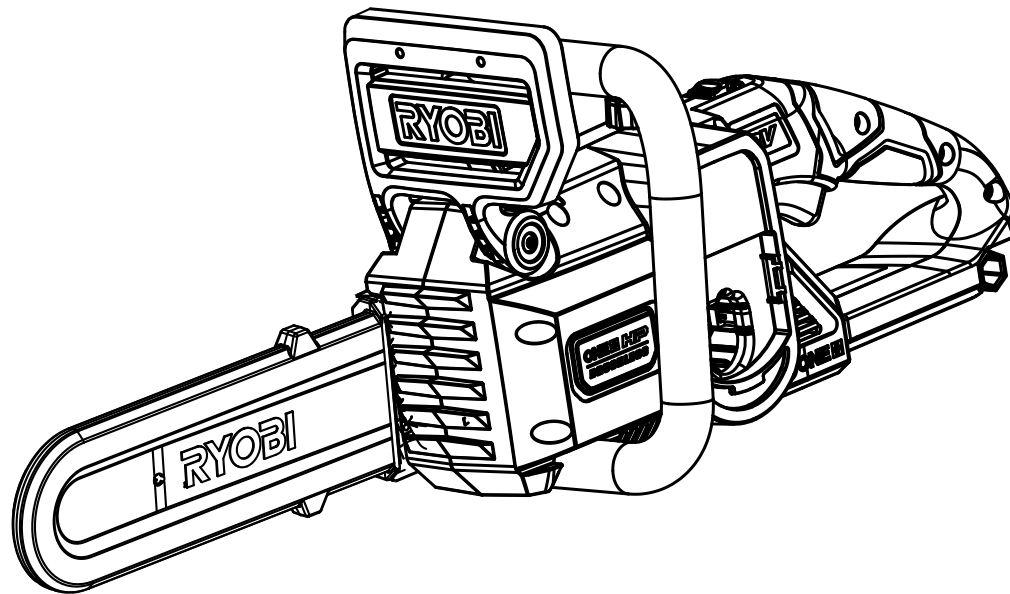


# REPAIR SHEET

BRAND <b>RYOBI</b>		DESCRIPTION  <b>18 Volt Chain Saw</b>
MODEL NO. <b>P2502</b>	MFG. NO. <b>107586001</b>	

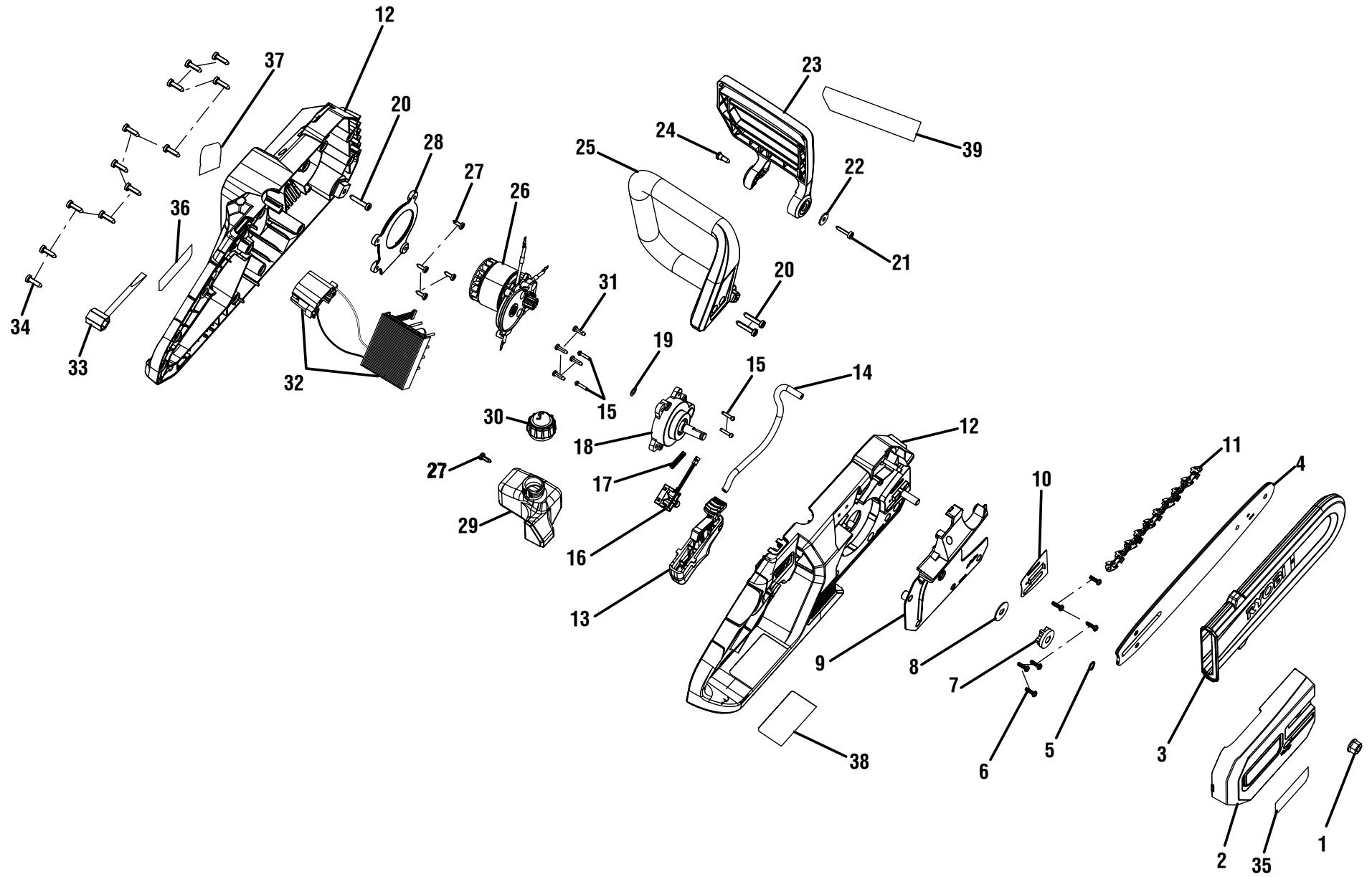


## TECHTRONIC INDUSTRIES POWER EQUIPMENT

P.O. Box 1288, Anderson, SC 29622 ■ 1-800-525-2579 ■ [www.ryobitools.com](http://www.ryobitools.com)

7-27-21 (Rev:02)

*The model number and manufacturing location will be found on a label attached to the product. Always mention this information in all communications regarding this product and when ordering parts.*





P2502

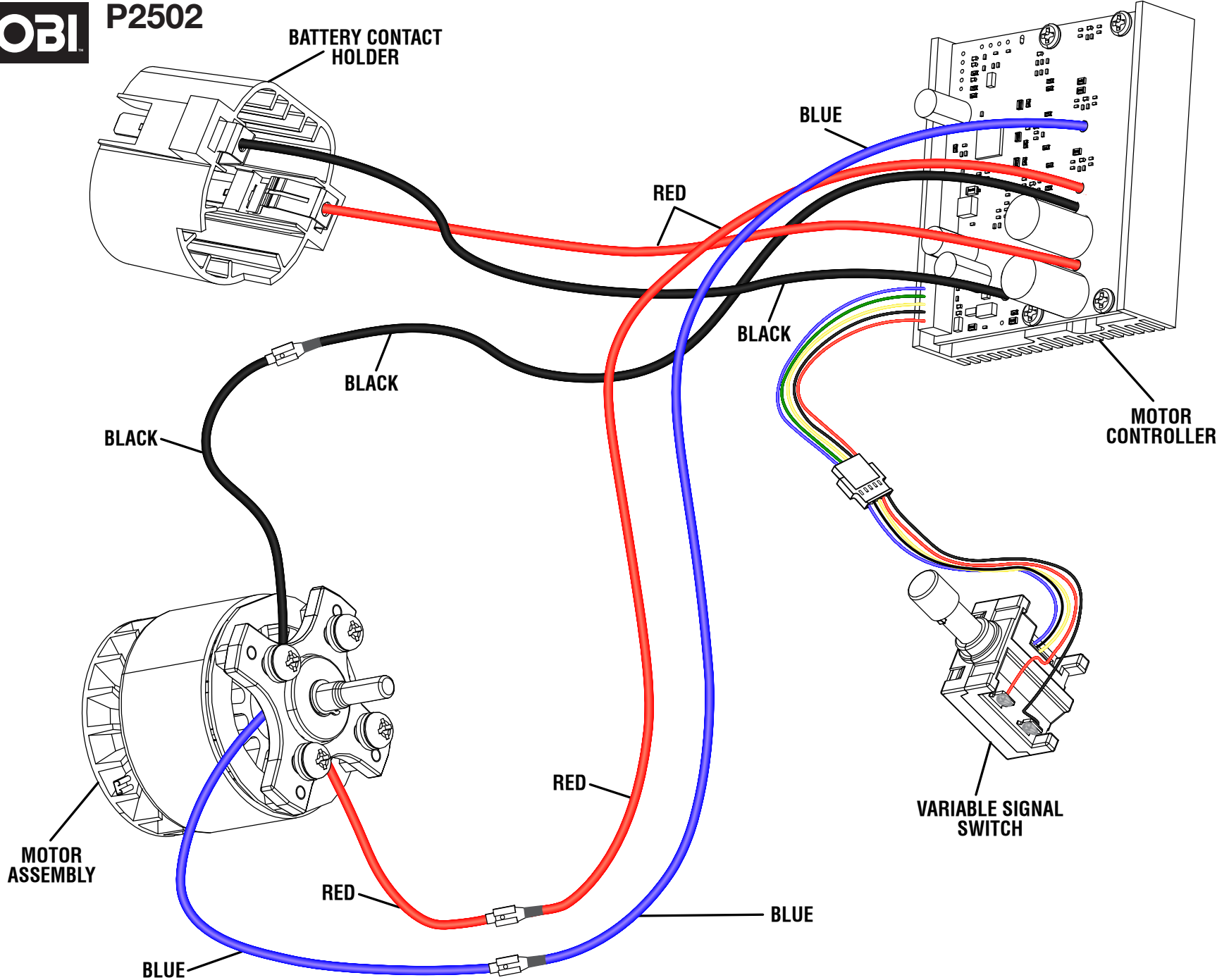
PARTS LIST

KEY NO.	PART NO.	DESCRIPTION	QTY.
1	678339003	Flange Nut (5/16-18)	1
2	205430001	Sprocket Cover Assembly (Inc. Key No. 35)	1
3	580790001	Scabbard	1
4	316668001	Bar	1
5	670608002	Retaining Ring	1
6	662083002	Screw (M4 x 12 mm, T20 Torx Pan Hd.)	6
7	610323001	Sprocket	1
8	690733001	Cover Plate	1
9	542039001	Brake Band Cover	1
10	674186001	Guide Bar Plate	1
11	682115001	10 in. Chain (0.043 Gauge, 3/8 in. Pitch)	1
12	205432001	Housing Assembly (Inc. Key Nos. 36-38)	1
13	205428001	Trigger Assembly	1
14	570807005	Oil Tube	1
15	660211020	Screw (M3 x 15 mm, Pan Hd.)	4
16	760652001	Variable Signal Switch	1
17	694143001	Lock Spring	1
18	312242002	Gear Box and Output Gear and Shaft Assembly	1
19	670914001	Flat Washer (ID6.2 x OD11 x 0.3t)	1
20	662053002	Screw (#10-14, T25 Torx Pan Hd.)	3
21	660608005	Screw (M4 x 21 mm, T20 Torx)	1

KEY NO.	PART NO.	DESCRIPTION	QTY.
22	638988001	Washer	1
23	205431001	Front Guard Assembly (Inc. Key No. 39)	1
24	662113001	Shoulder Screw (#10-14 x 0.559 in., T25 Torx Pan Hd.)	1
25	542041001	Front Handle	1
26	205429001	Motor Assembly	1
27	660608001	Screw (M4 x 12 mm, T20 Torx Pan Hd.)	5
28	542205001	Volute Cover	1
29	580789001	Oil Tank	1
30	205427001	Oil Tank Cap Assembly	1
31	661817001	Screw (M4 x 13.5 mm, T15 Torx Pan Hd.)	4
32	291725002	Motor Controller and Battery Holder Assembly	1
33	612330001	Wrench	1
34	662051003	Screw (#10-14, T25 Torx Pan Hd.)	12
35	941588812	18V HP Logo Label	1
36	941263115	RYOBI ONE+ HP Label	1
37	941588716	Data Label	1
38	941588714	Danger Warning Label	1
39	941263116	Icon Warning Label	1
	<b>Not Shown:</b>		
	998000357	Operator's Manual	
	961039009	Oil Hangtag	



P2502



WIRING DIAGRAM