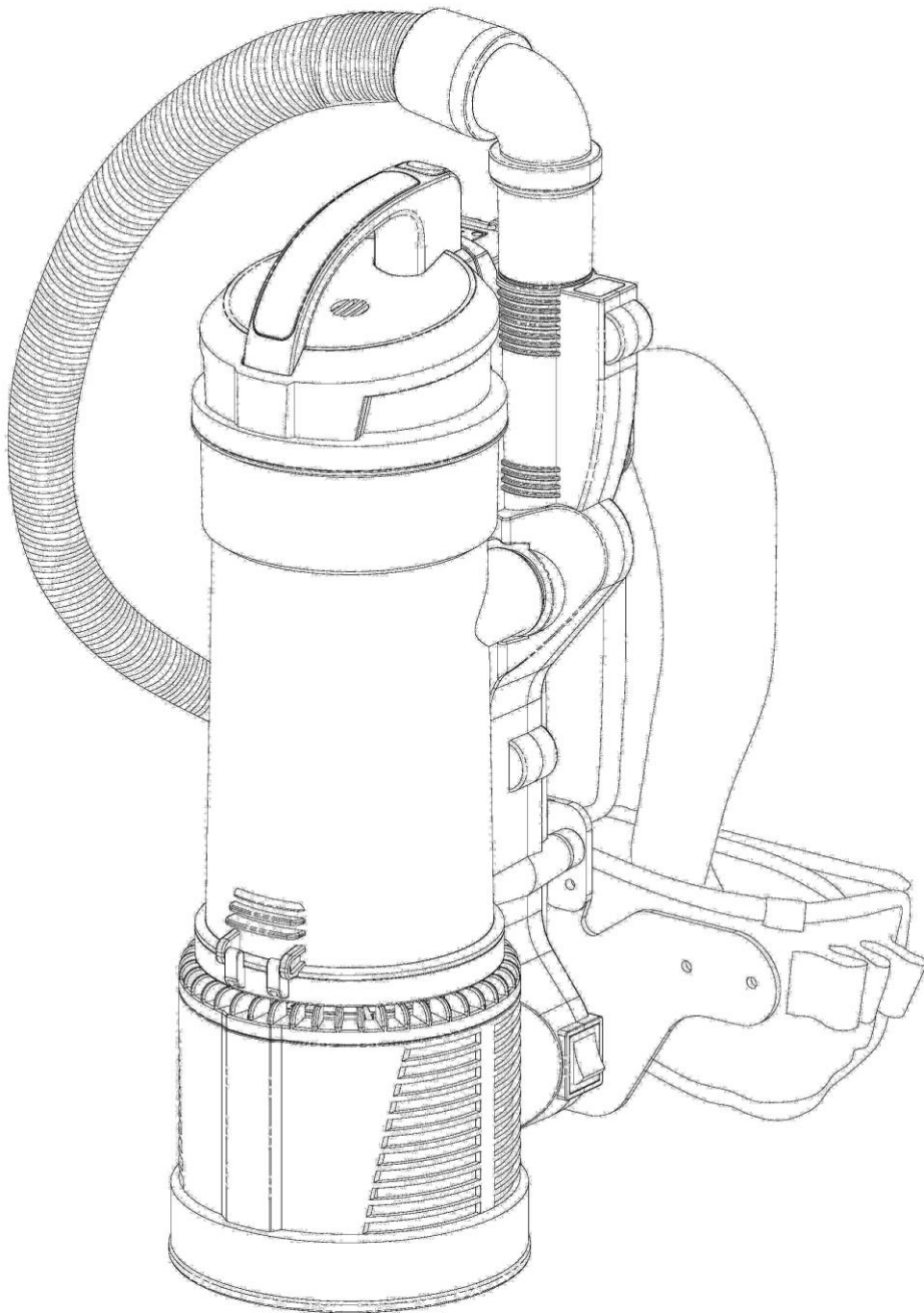


# PROLUX 2.0 COMMERCIAL BAGLESS BACKPACK VACUUM CLEANER MODEL: 2.0-PRO

## Operation Instruction

Read all instructions before using this appliance



**For your safety please read owners manual in its entirety before use.**

Congratulations on your purchase of your new Prolux 2.0 Bagless Backpack Vacuum! The Prolux 2.0 Bagless is the worlds ONLY bagless backpack vacuum. Large companies use backpack vacuums, because they literally cut your cleaning time in half (compared to a upright vacuum). Weighing only 9 lbs. with the Prolux 2.0 Bagless Technology it is 40% more efficient and powerful than other bagless vacuums with an amazing 125 CFM of power. The Prolux 2.0 comes standard with a 3-year motor warranty, due to its state-of-the-art Motor Bypass Technology, which adds years of trouble free life to your motor. Also, with its simple to use design, and easily attachable cleaning accessories, it is designed to be one of your most used appliances.



# Table of contents

<b>Specifications</b> .....	3
<b>Optional Accessories</b> .....	4
<b>Safety Precautions</b> .....	4-6
<b>Assembly</b>	
Getting To Know Your Vacuum.....	6-7
Using The Accessories & Tools.....	7-10
<b>Operation</b>	
Operating Instructions/Adjusting The Harness.....	10
<b>Maintenance</b>	
Emptying The Dust/Dirt Container.....	11
Changing/Cleaning The Intake HEPA Filter .....	11
Changing/Cleaning The HEPA Exhaust Filter.....	12
Cleaning The Housing.....	12-13
<b>Troubleshooting</b> .....	13-14
<b>Warranty</b> .....	13-14

## Specifications

- Lightweight – Only weighs 9 lbs.
- Powerful deep cleaning 1400 watt, 12 amp motor with an amazing 125 Cubic Feet per Minute of Airflow. (Most vacuums have 80)
- Water Lift Power - 95 inches.
- Dependable - Motor Bypass valve adds years of life to the Motor allowing it to come with a 3 year motor warranty and 3 Year body Warranty free from manufacturer defects in material and workmanship from the original date of purchase, when utilized for normal use. (See page 13)
- Cleans 2x faster than your standard Upright Vacuums.
- 3-Stage filtration. H13 HEPA grade HEPA filter, to keep the air clean with 99.95% efficiency.
- UL Rated 50ft Commercial power cord.
- 1.5L dust bin capacity.
- Heavy-Duty commercial grade 1-1/2” vacuum attachment set.

## **OPTIONAL ACCESSORIES**

- The Prolux 2.0 Power Nozzle attachment – This Power Nozzle attachment is great for anyone who is using their 2.0 in an area where the majority of the flooring is carpet, or floor rugs. With its electrically powered spinning brush-roll, this is the perfect attachment to deep clean any carpeted surface.



### **IMPORTANT SAFETY INSTRUCTIONS**

When using an electrical appliance, basic precaution should always be followed, including the following:

#### **READ ALL INSTRUCTIONS IN THIS OPERATING MANUAL BEFORE USING THIS APPLIANCE.**

Keep the operating manual for reference. Include the operating manual if you pass the appliance to third parties. **Violations of the operating instructions can lead to severe injuries as well as damages to the appliance.** Prolux takes no responsibility for damages due to violations of these operating instructions.

#### **The Notices Given**

Notices for your safety are especially marked. Always observe these notices to avoid any damages to the appliance.

**WARNING:** Warning concerning health hazards describing possible risks of injury.

**ATTENTION:** Warning concerning possible dangers to the appliance or other objects.

**NOTE:** Highlights tips for you.

**WARNING-**To reduce the risk of fire, electric shock, or injury:

1. Do not leave the vacuum cleaner when plugged in. Unplug from outlet when not in use, and before Servicing.
  2. Use only as described in this manual. Use only the recommended attachments, battery, charger, and replacement parts.
  3. To reduce the risk of electric shock, do not use outdoors, on wet surfaces, and do not use for wet pickup/cleanup.
  4. Use only as described in this manual. Use only the manufactures recommend attachments.
  5. Do not use with damaged cord or plug. If vacuum cleaner is not working as it should, has been dropped, damaged, left outdoors, or dropped into water, take it to a service center before use.
  6. Do not pull or carry the vacuum by its power cord, do not use the power cord as a handle, do not close the door on power cord, or pull the power cord around sharp edges or corners. Do not run vacuum cleaner over the power cord. Keep the power cord away from heated surfaces.
  7. Do not unplug the power cord from your wall by pulling on the cord. To unplug, grasp the end of the plug, not the cord.
  8. Do not handle the power cord/plug or vacuum cleaner with wet hands.
  9. Do not put any object into the openings of the vacuum. Do not use the vacuum with any openings blocked. Keep openings free of dust, lint, hair and anything that may reduce airflow.
  - 10.Keep hair, loose clothing, fingers and all parts of body away from openings and moving parts of the vacuum.
  - 11.Turn all controls off before unplugging the vacuum.
  - 12.Use extra care when cleaning on stairs.
  - 13.Do not use to pick up flammable or combustible liquids, such as gasoline, or use in areas where they may be present.
  - 14.Hold the end of the plug on the power cord when rewinding the cord into the cord reel. Do not allow end of plug to whip when rewinding.
  - 15.Unplug the vacuum before connecting the hose.
  - 16.Do not pick up anything that is burning or smoking, such as cigarettes, matches, or hot ashes.
  - 17.Do not use without dust bag and/or filter in place.
  - 18.If the supply cord is damaged, the manufacturer or an authorized service center must replace it, in order to avoid a hazard.
- 19.This appliance is not intended for use by persons (including children) with reduced physical, sensory or Mental capabilities, or lack of experience and knowledge, unless they have been given supervision or instructions concerning the use of the appliance by a person responsible for their safety.
- Children should be supervised to ensure they do not play with the appliance.

Do not vacuum or clean:

- Hair and other parts of the body. They could be sucked in and cause injury.
- Pieces of Clothing (e, g, shoe laces, scarves, etc.). They could be sucked in and cause injury.
- Water and other liquids, especially moisture from carpet cleaning agents. Moisture inside the appliance can lead to short-circuiting.
- Toner dust (from laser printers. copying-machines. etc.). There is danger of fire or explosion.
- Hot ash, burning cigarettes or matches. This could cause a fire.
- Pointed objects such as glass shards, nails, etc. Such objects destroy the filters.
- Plaster, cement, and fine drilling-dust, makeup. etc. The filters may clog causing damage to the appliance.

Never use the appliance near flammable or explosive materials -- there is danger of fire or explosion.

Never use the appliance outdoors -- there is danger of rain and dirt destroying the appliance.

Never stick objects into the appliance's openings -- it could cause the appliance to overheat.

### **Cord Connection**

The vacuum and battery charger run on electricity, that means there is always danger of electric shock, so please observe the following;

- Never touch the plug with wet hands.
- Always pull directly with the plug. If you want to disconnect the appliance from the outlet. Never pull on the cord, as it might break.
- Take care that the power cord is not bent, pinched, rolled over or gets in contact with heat sources.
- Use only extension cords suited to the power requirements of the appliance.
- Never immerse the appliance in water or other liquids.
- Only operate the appliance if your outlet voltage is the same as that indicated on the appliance's nameplate. Using the wrong voltage can destroy the appliance.
- If the power cord of this appliance is damaged it must be replaced by the manufacturers, their authorized service representative or a similarly qualified person to avoid danger to the user.

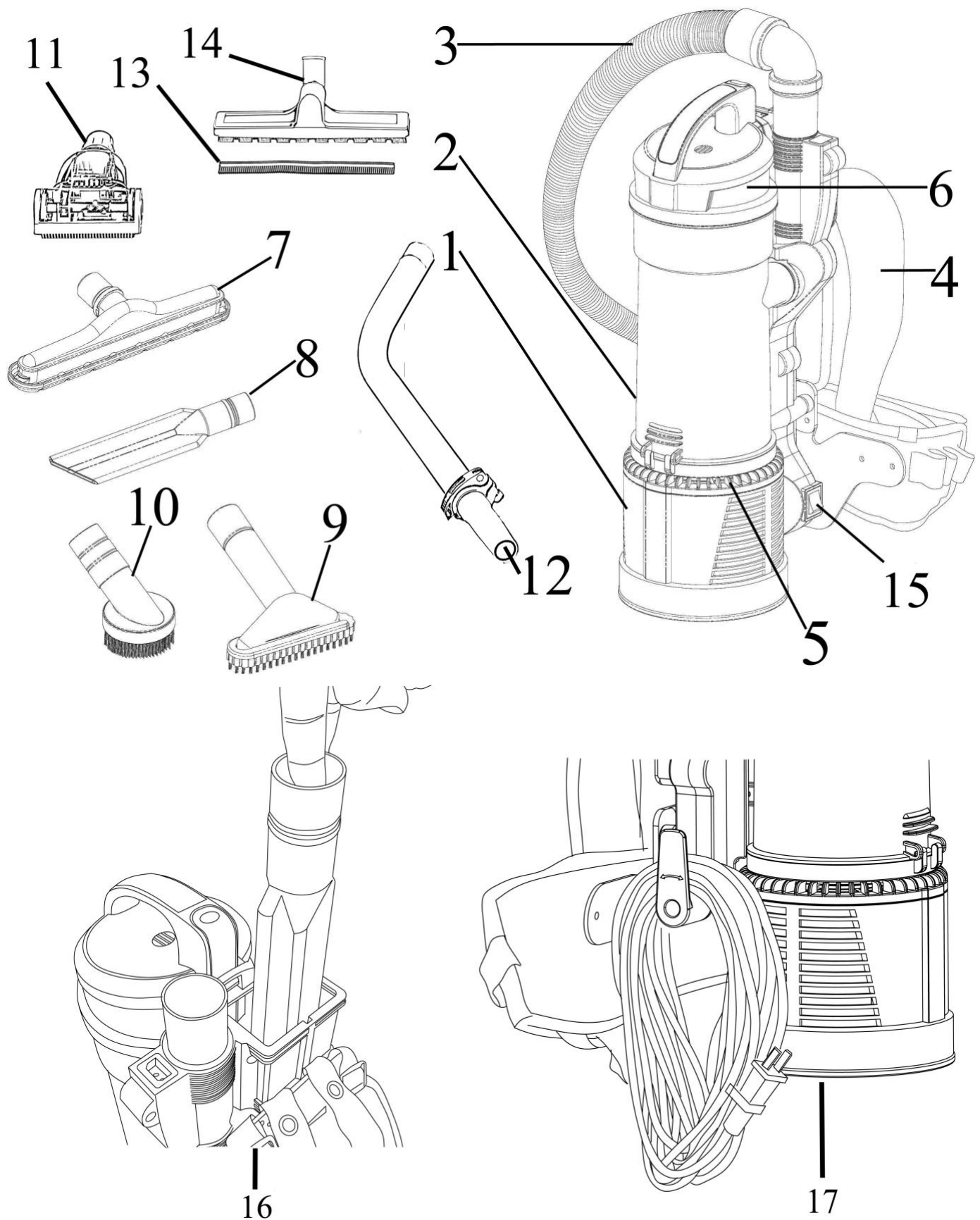
Never use a defective appliance or operate an appliance with a defective power cord. There is a major risk of injury.

### **Children**

Never leave the appliance unattended and use it with special precaution if children or persons who cannot judge dangers are nearby.

People (including children) who are unable to safely operate the appliance on account of their physical, sensory or mental abilities or their lack of experience or knowledge should only use this appliance under supervision or instruction of a responsible person. Packing-materials are not toys. There is danger of suffocation, KEEP OUT OF REACH OF CHILDREN.

## **GETTING TO KNOW YOUR BACK PACK VACUUM**



1. Main Motor Unit
2. Flexible Hose
3. Dust Container
4. Shoulder Straps
5. Exhaust HEPA Filter

6. Air Inlet Vortex Filter
7. Carpet/Floor Brush
8. Crevice Tool
9. Upholstery/Pet Hair tool
10. Dusting Brush
11. Mini Turbo Brush
12. Quick Adjusting Telescoping Wand
13. Squeegee Blade
14. Squeegee Floor Tool
15. ON/OFF Power Switch
16. Additional Tool Storage
17. Easy Access Cord Storage

## OPERATION INSTRUCTIONS

### WARNING

To reduce the risk of electric shock, the power cord must be disconnected before removing the dust container, changing the filters or performing maintenance or troubleshooting checks

### Assembling your vacuum

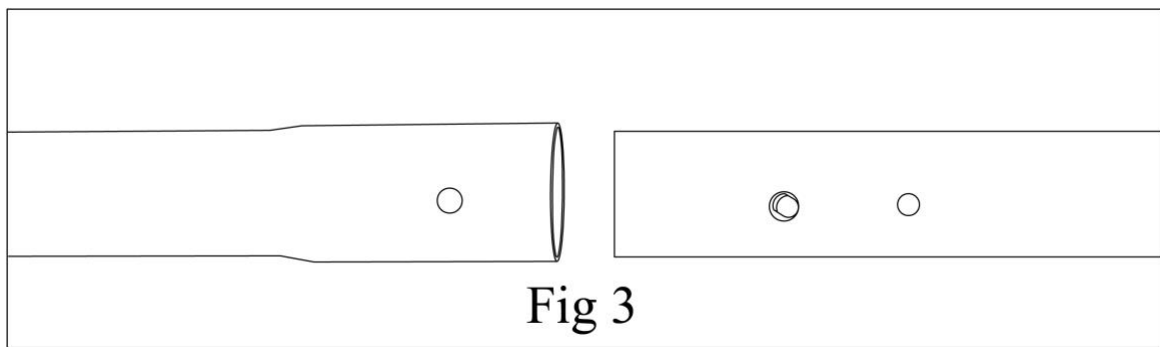
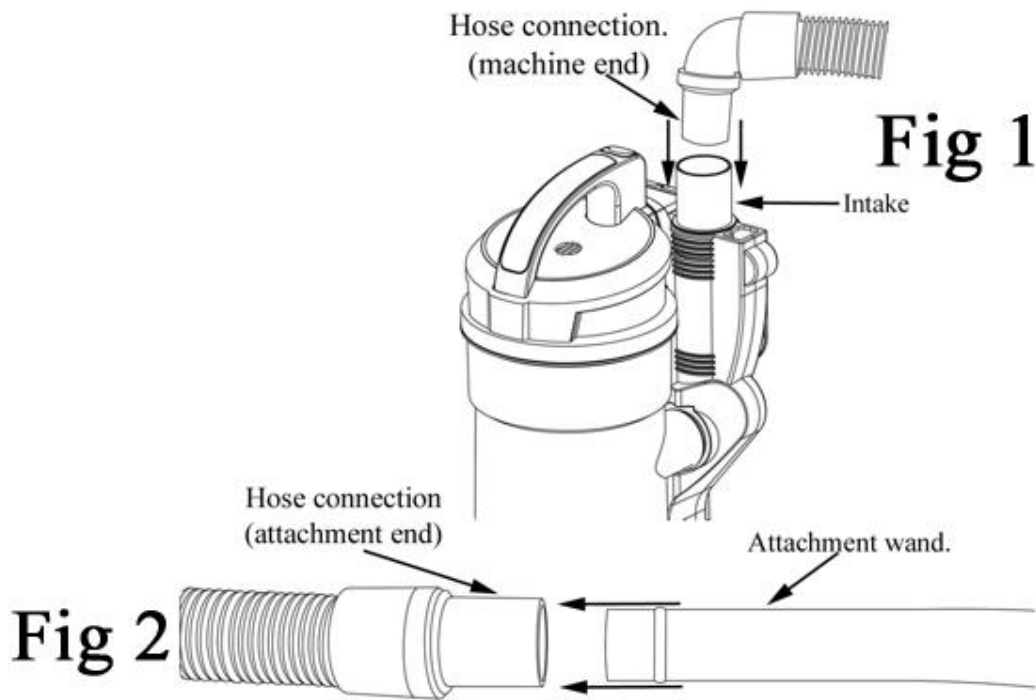
**NOTE:** Always remove the power plug from the wall outlet before assembling or removing accessories

#### ■ ATTACHING THE FLEXIBLE HOSE & ATTACHMENT WANDS TO THE VACUUM

The flexible hose should be connected before strapping the unit

1. To connect the flexible hose to the unit slide the hose connector over the air inlet. (Fig 1)
2. To connect the flexible hose the attachment wands, slide the attachment end of the hose connection over the upper attachment wand. (Fig 2) Then take the upper attachment wand and insert it into the lower attachment wand. (Fig 3)
2. Plug the power cord into the electric outlet.
3. To remove the flexible hose, unplug the power cord and pull out the hose connector from the air inlet.
4. Pull the handle out from the telescopic tube. (Fig 2)





## USING THE ATTACHMENTS

### DUSTING BRUSH

The Dusting Brush is used for all types of furniture. (Fig 3)

### CREVICE TOOL

Use for cleaning radiators, cracks & crevices along corners, and baseboards and in-between cushions. (Fig 4)

### PET HAIR REMOVAL BRUSH

The Pet Hair Removal Brush is used for removing pet hair from upholstery.

The unique design makes it an excellent tool for removing unwanted pet hair from virtually any surface. (Fig 5)

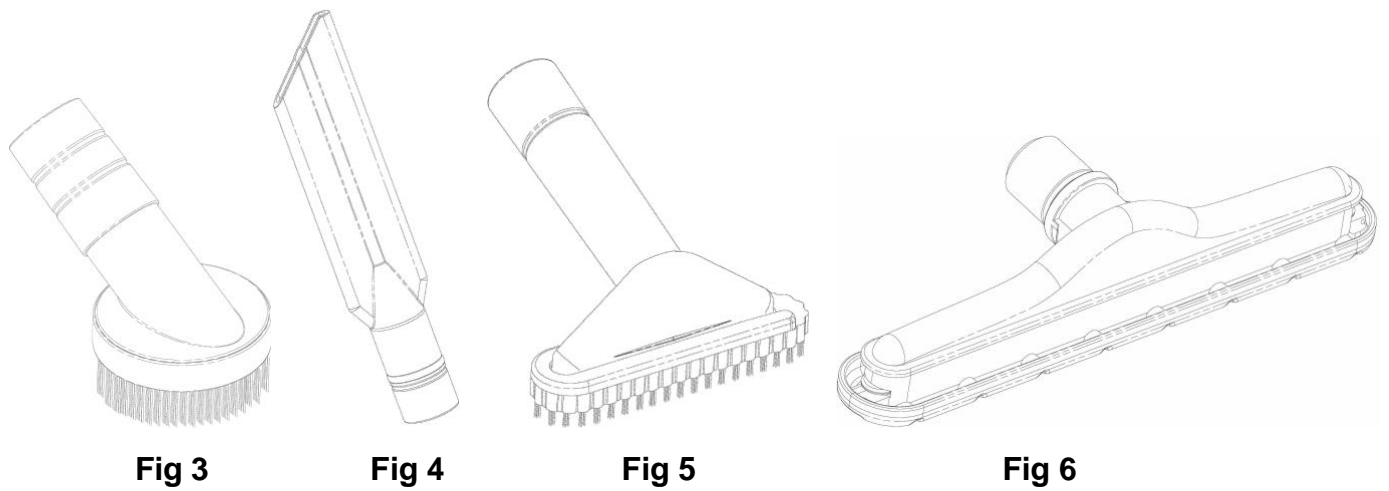
**NOTE:** This tool is not a grooming tool and should not be used on animals.

**Caution: DO NOT** use the Pet Hair Removal Brush on delicate or woven fabrics that may snag.

**DO NOT** use the Pet Hair Removal Brush on wooden floors as this accessory may cause mild scratching or scarring of the surface. Always test a surface in an area that cannot be seen before use.

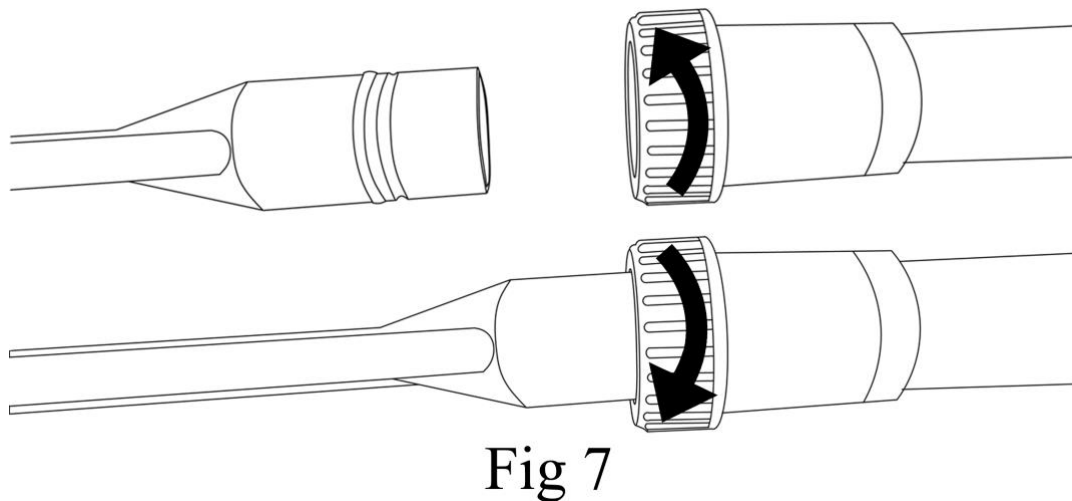
### CARPET/FLOOR BRUSH

The Prolux 2.0 includes a specially designed floor tool that can be used on any surface without switching attachments. Easily transition between high pile carpets, low pile carpets and any hard floor surface, with the Carpet/Floor Brush. (Fig 6)



■ **Connecting the attachments to your wand**

To connect the tools to your attachment wand, you will loosen the ring on the end of the attachment wand by twisting it counter clockwise. (Do not loosen the ring all the way; you only need to loosen it enough for the tool to slid in) Then insert the tool you would like to use and tighten the ring clockwise on the attachment wand to lock the tool into place. (Fig 7)



**Proper Vacuuming Technique With The Prolux 2.0 Floor Tool**

When vacuuming with your Prolux 2.0, you may vacuum using the standard forward and backwards vacuuming motion as you would with standard vacuum cleaners. However, because of the new Prolux 2.0 floor tool design, you can vacuum an area by vacuuming in half circle motions and vacuum the same area 2x as fast.

- Start with holding the wand as seen in (Fig A).
- Now twist at the waist in a side-to-side motion creating large “half circles” with the floor tool as you walk forward or backward. Vacuuming this way exerts less energy, which creates

less fatigue on the arms and upper body, and is 2x faster than vacuuming using the traditional forward and backward motions.

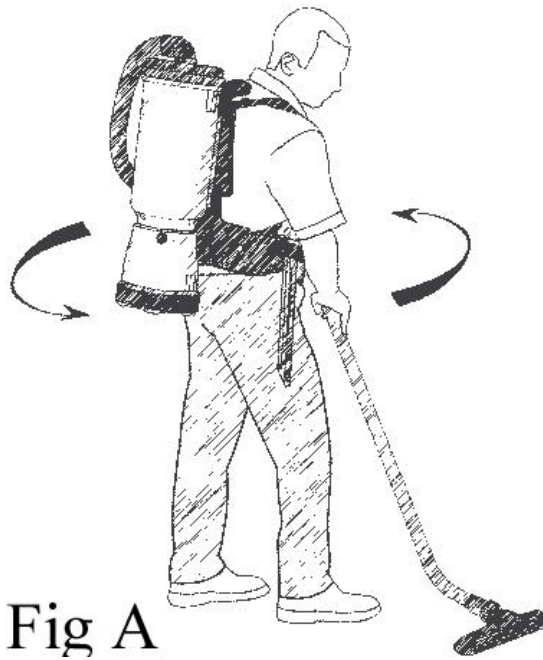


Fig A

### ■ USING YOUR VACUUM

1. Insert the power plug into the wall outlet
2. Connect hose and telescopic tube if desired.
3. Correctly place shoulder straps on each shoulder and secure the waistband strap. (Fig 8 through Fig 8b)

**Caution:** If the waistband and both shoulder straps are not properly and securely in place, the unit could fall off your back, causing damage or injury.

4. Turn the unit on/off by pressing the switch located near the base of unit. (Fig 9)

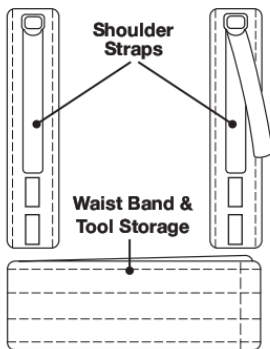
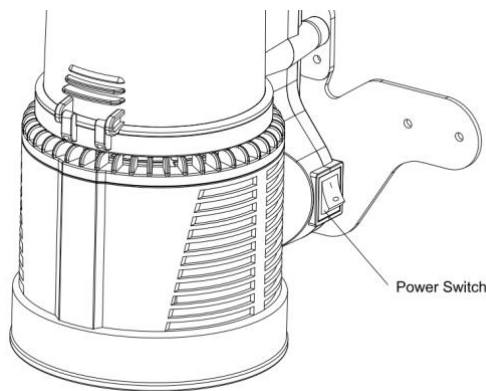


Fig 8

Fig 8A

Fig 8B

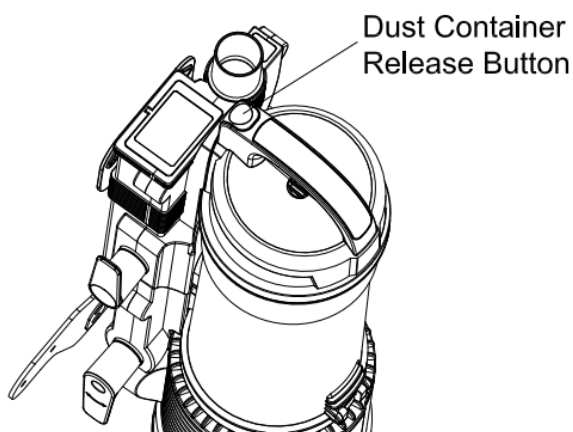
**Fig 9**



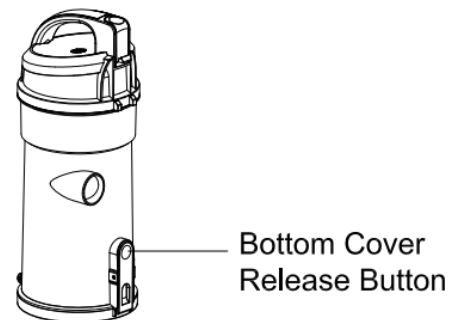
## ■ HOW TO EMPTY THE DUST CONTAINER

You will want to empty the dirt in the dust container as soon as it has reached the “MAX” mark indicated on the outside of the tank, or if the suction power has dropped. To empty the Dust Container, please follow the instructions below.

1. Switch the vacuum cleaner to the “Off” position and disconnect the plug from the wall outlet.
2. Release the dust container by pressing down the release button. (Fig 10)
3. Pull the dust container away from the vacuum cleaner.
4. Hold the dust container low over your trash receptacle, to avoid dust falling onto your floors.
5. Then press the release button. When the release button is pressed, the bottom cover will open and the dust will drop into your trash receptacle. (Fig 11)



**Fig 10**



**Fig 11**

## ■ HOW TO CLEAN AND REPLACE THE VORTEX & HEPA FILTER(S)

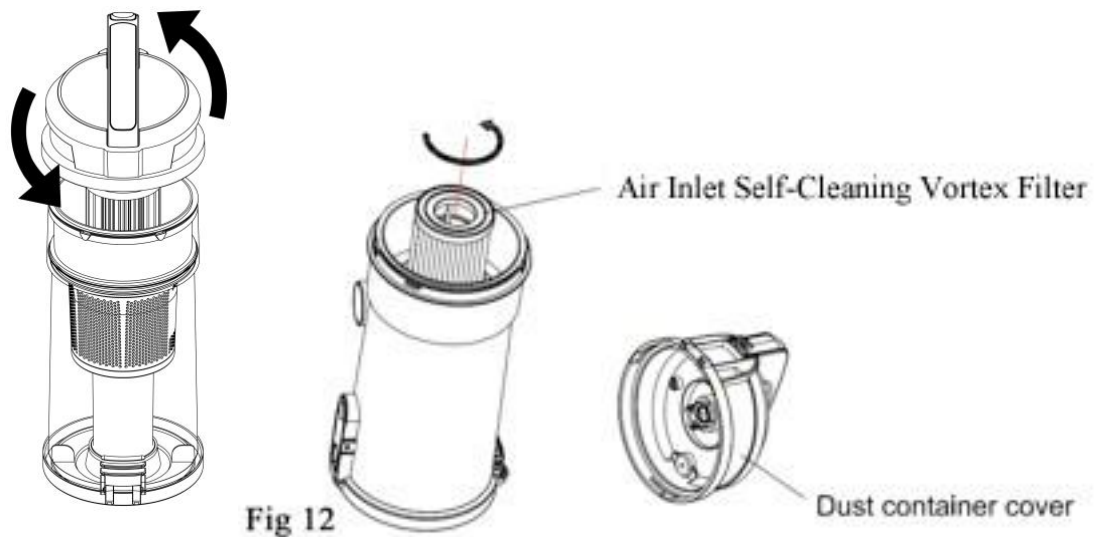
There are two filters in this unit, the intake Self-Cleaning Vortex filter & the exhaust HEPA filter. When the filters are dirty and the suction power is reduced, you must clean or replace the filter(s).

### **Clean and replace the Self-Cleaning Vortex Intake filter**

1. Open the top Vortex chamber cover by rotating the cover counterclockwise. (Fig 12)
2. Pull the Self-Cleaning Vortex filter from the chamber by rotating it counterclockwise to unlock it, and then pull it up and out of the unit. (Fig 12)
3. Clean the filter using warm water, then allow the filter to air dry completely. Once the filter has completely air dried, then assemble the filter back into the Vortex chamber. Or, if the filter is too dirty or in an unusable condition, replace the filter with a new one.

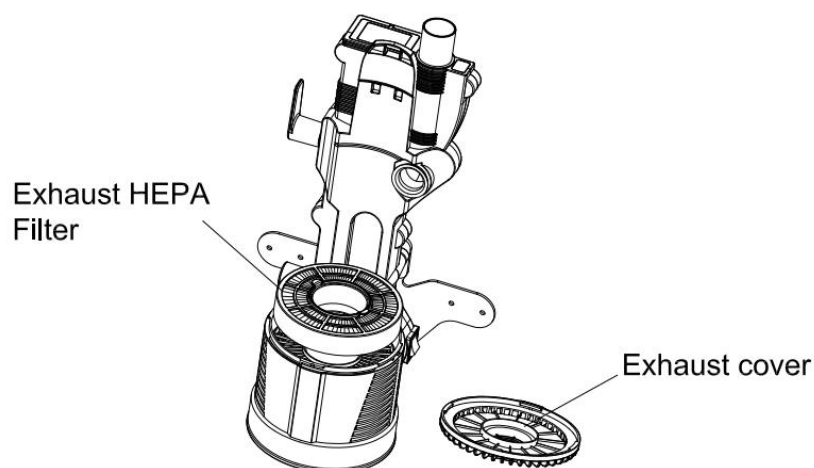
**NOTE:** The Prolux Self-Cleaning Vortex filter only needs to be cleaned when the entire surface of the filter becomes dirty. Due to its highly efficient design the

Self-Cleaning Vortex filter is 3x more efficient than standard filters and will have the same amount of airflow whether it's dirty or clean. The entire surface of the filter will have to be covered in debris before the performance of the vacuum is affected, and the filter needs to be cleaned.



### Clean and replace the exhaust HEPA filter

1. Open the exhaust cover by rotating in count clockwise. (Fig 13)
2. Put the exhaust HEPA out of the unit. (Fig 13)
3. Clean the filter, using warm water and allow air-drying completely, and then assembling the filter back into the unit. Or, if the filter is too dirty or in an unusable condition, replace the filter with a new one.



### Cleaning the Housing

**WARNING:** Always switch off the appliance and disconnect it from the outlet before cleaning it. See section "Switching Off and Retracting Power Cord."

**ATTENTION:** Do not use Alcohol, cleaning or scouring agents to clean your machine, as these may damage the appliance. Clean the outside of the housing using only a slightly damp washcloth with mild soap.

## **Troubleshooting**

**WARNING:** Never use a defective appliance. Always switch off the appliance and disconnect it from the outlet or remove the battery before you start to troubleshoot.

Fault	Possible Cause(s)	Solution
The vacuum will not turn on.	The plug is not connected to the electrical wall outlet or the appliance is not switched to the "on" position.	Insert the plug into an electrical wall outlet and flip the "on/off" switch to the "on" position. See page 10.
	Electrical wall socket does not carry current.	Test the vacuum cleaner on another outlet that you are sure is carrying current.
	The power cord is damaged.	Replace with a new cord by an authorized service center or professional technician.
Suction power is low.	The Dust/Dirt bin is full or clogged.	Empty/clean the Dust/Dirt bin.
	The power nozzle, attachment wand or suction hose is clogged.	Remove the debris that is causing the clog. If necessary, use a long wooden stick (e.g. a broomstick) or coat hanger to do this.
	The Dirt/Dust container is installed incorrectly.	Remove the Dirt/Dust container and reinstall; making sure the container is locked into place when reinstalling.
	The tool attachment being used, does not work properly on the surface you are vacuuming.	Attach the appropriate tool for the surface you are vacuuming. See pages 8-9.
	Dirty filter(s).	Change/clean the filter. See pages 12.
The vacuum makes unusual noises.	The power nozzle, attachment wand, suction hose, or filters are clogged.	Remove any clogs. If necessary, use a long wooden stick (e.g. a broomstick) or coat hanger to do this.

## **Three (3) YEAR LIMITED WARRANTY**

Prolux warranties this product's motor free from defects in material and workmanship for a period of three (3) years on the motor, and three (3) years on the body of the vacuum, free from manufacturer defects in material and workmanship from the original date of purchase, when utilized for normal household use.

Subject to the following conditions, exclusions, and exceptions:

**What is Not Covered by the Prolux Warranty - Warranty Exclusions. This limited warranty does not extend to and expressly excludes:**

- 1. Normal wear and tear and/or replacement attachments or accessories, including, without limitation, extension cords, hoses, filters, switches, carbon motor brushes and other attachments to the Backpacks.**
- 2. Damage or burnout of the Backpack or Canister motor resulting from failure to clear a blockage occurring during the normal course of use.**
- 3. Loss or damage to the Backpack or Canister resulting from conditions beyond the control of Prolux including without limitation, misuse, accidents, abuse, neglect, negligence from the customer, overuse beyond capacity of the vacuum, or unauthorized modification and/or alteration.**
- 4. Loss or damage to the Backpack or Canister resulting from failure to follow the required maintenance schedule, or failure to use the Backpack or canister in accordance with written instructions from Prolux, guidelines or the terms of its Owner's Manual.**

If your appliance fails to operate properly while in use under normal household conditions within the warranty period, please contact your authorized PROLUX dealer you purchased the unit from. Non-durable parts including, without limitation, filters, accessories, brushes, belts, and electrical parts, which normally require replacement, are specifically excluded from warranty.

This warranty is limited solely to the cost of the repair or replacement of the unit at Prolux's option. This warranty does not cover normal wear of parts and does not apply to any unit that has been tampered (by unauthorized user) with or used for commercial purposes. This limited warranty does not cover damage caused by shipping damage, misuse, abuse, negligent handling, or damage due to faulty packaging or mishandling in transit.

This warranty is extended to the original purchaser of the unit only and is not transferable.

**\*IMPORTANT: Before sending unit back for warranty work, contact your authorized PROLUX retailer you bought the unit from first. Unauthorized warranty claims may be sent back.**

**Authorized Warranty claims: PROLUX shall be responsible for all parts and labor and the customer shall be responsible for all shipping charges to and from the PROLUX service center.**

Prolux is constantly striving to improve our products. Therefore, the specifications contained herein are subject to change without notice.

### **Product Warranty Registration**

Please follow the link below to register your Prolux product.

**[http://www.proluxcleaners.com/webforms/index/index/id/2/?\\_\\_store=default](http://www.proluxcleaners.com/webforms/index/index/id/2/?__store=default)**

To find more information on this product, including warranty info and to contact Prolux Customer Service. Please follow the link below:

## Environmental tips

Once any electronic product is no longer functional, it should be disposed of in such a way as to cause minimum environmental impact, in accordance with the regulations of your local authority. In most cases you can take such products to your local recycling station.

