

RF23A9675

SAMSUNG

23 cu. ft. Smart Counter Depth BESPOKE 4-Door Flex™ Refrigerator with Customizable Panel Colors



Signature Features

Customizable Door Colors

Customize the design of your refrigerator with changeable color door panels. Choose from 8 colors and 2 finishes to create a space that fits your style – the options are endless.

Beverage Center

Quick access to refreshingly cool, filtered water two ways. Choose from an internal dispenser or a built-in pitcher that automatically refills, with the option to infuse with a flavor.

Dual Ice Maker with Ice Bites

Enjoy your favorite beverage with your choice of ice. Select from cubed ice or new nugget-style Ice Bites that chill your drink faster. Makes up to 6 lbs per day, stores up to 6.8 lbs total.

BESPOKE 4-Door Flex™ Standard Color Models



BESPOKE Panel Color Selection



Design

- Customizable Door Colors
- Beverage Center
- Modern Design
- LED Lighting

Technology

- Dual Ice Maker with Ice Bites and Cubed Ice
- UV Deodorizing Filter
- Wi-Fi Enabled

Performance

- FlexZone™
- FlexCrisper
- Triple Cooling

Rating



ENERGY STAR® rated:
634 kWh/yr



ADA Compliant

RF23A9675

SAMSUNG

23 cu. ft. Smart Counter Depth BESPOKE 4-Door Flex™ Refrigerator with Customizable Panel Colors

Installation Specifications

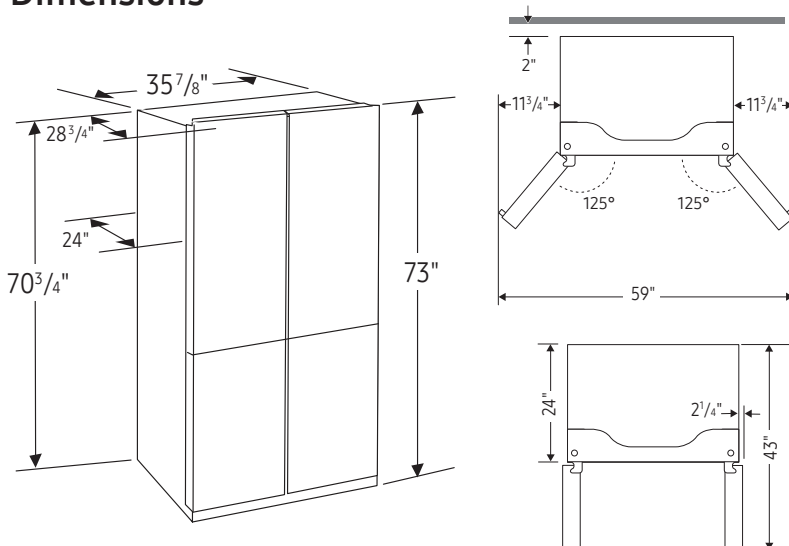
1. Measure the height, width and depth of the opening, making sure to include baseboards, molding tile, countertop overhang, etc. Check to be sure there is enough room to open the door (consider walls, islands or other obstacles when measuring).
2. Refer to illustration below to determine dimensions.
3. Allow 2.5" of clearance on hinge side of refrigerator when installing next to a wall where handle may make contact.
4. Allow 1" minimum clearance at rear for proper air circulation and water/electrical connections. Allow a 3/8" minimum clearance at sides and top for ease of installation.
5. Ensure each door and entryway in the home is wide enough for the refrigerator to be moved through easily.

For optimal usage and ability to open refrigerator doors completely, do not install next to a wall.

Please note: The following dimension and cutout information is for planning purposes only. For complete installation details, consult manual packed with product or download manual online at samsung.com.



Dimensions



Total Capacity: 22.8 cu. ft.

Refrigerator: 14.0 cu. ft.

- 4 Tempered Glass Spill-Proof Shelves
- 2 Clear Drawers: FlexCrisper and Crisper+
- 6 Door Bins
 - Right: 1 Gallon Bin, 2 Regular Bins
 - Left: 1 Gallon Bin, 2 Regular Bins
- LED Lighting

Freezer: 8.8 cu. ft.

- Dual Ice Maker in Freezer (Cubed Ice or Ice Bites)
 - 2 Ice Buckets with Cover and 1 Scoop
- 3 Slide-Out Shelves
- 2 Clear Drawers
- 6 Door Bins
- LED Lighting

Accessories

Water Filter: HAF-QIN

Warranty

One (1) Year Parts and Labor on Refrigerator
Five (5) Years Parts and Labor on Sealed Refrigeration System Only*
Ten (10) Years Parts and Five (5) Years Labor on Digital Inverter Compressor
*Compressor, evaporator, condenser, drier and connecting tubing.

Product Dimensions

Dimensions (WxHxD with hinges and doors):
35 7/8" x 73" x 28 3/4"

Dimensions (WxHxD without hinges and door):
35 7/8" x 70 3/4" x 24"

Shipping Dimensions (WxHxD)

Dimensions: 38 1/4" x 77 5/8" x 30 9/16"

Color	Model #	UPC Code	Product & Shipping Weight (lbs)	
Matte Black Steel	RF23A9675MT	887276525662	339.5	361.6
Navy Glass	RF23A967541	887276525648	348.3	370.4
Custom Panel-Ready	RF23A9675AP	887276525655	317.5	339.5