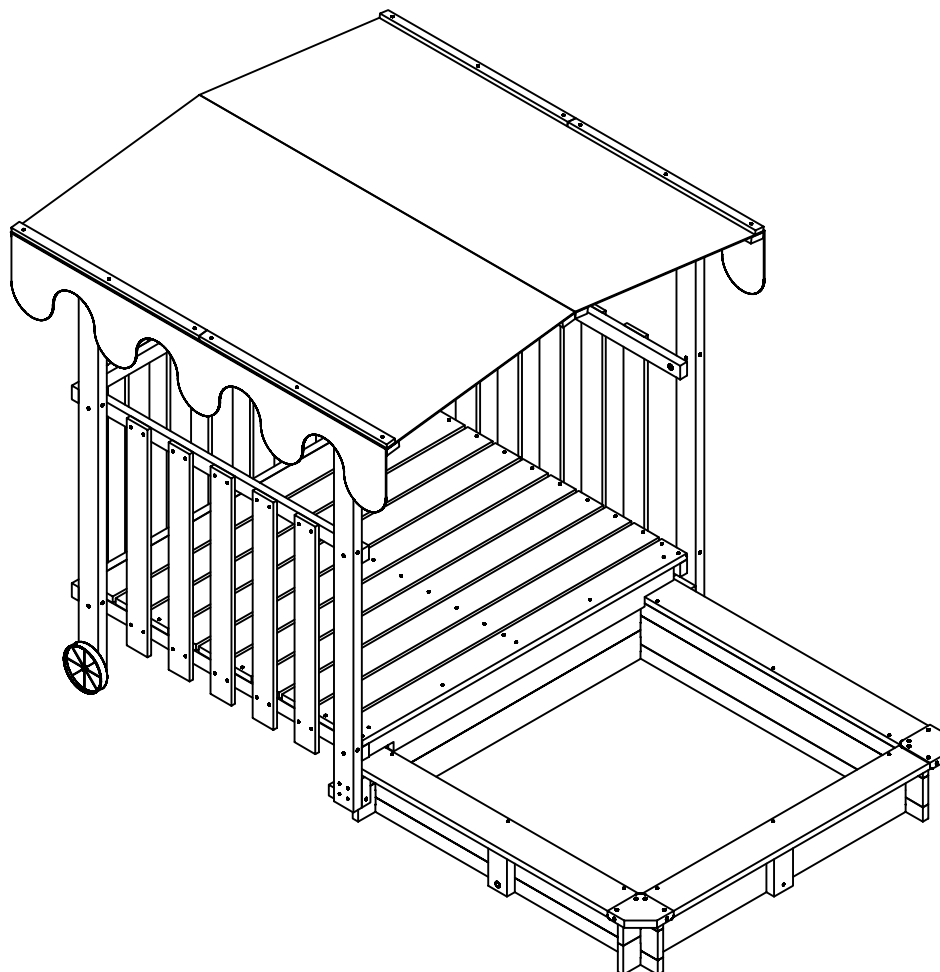


Sand-N-Shade Assembly Instruction Model: 7230



Creative Cedar Designs Inc.
www.creativecedardesigns.com

Customer Service:
Please log onto our website at
www.creativecedardesigns.com
and fill out a request for missing
or damaged parts.

E-mail: custservice@creativecedardesigns.com
Toll Free Phone Number: 1-888-363-4967



WARNING: CHOKING HAZARD

Unassembled parts may be a choking hazard to children 3 years and younger.



CAUTION: Adult Assembly Required.

Hardware contains small pieces with sharp points. Keep parts out of the reach of children until assembled. Parts of this product can present dangers if improperly assembled.



CAUTION: The plastic bags that contain

the hardware may present a choking hazard to small children. Please keep all plastic bags out of the reach of children. Do not allow children to play with them and dispose of them immediately when empty.



CREATIVE CEDAR DESIGNS



NOTE: Your children's safety is our #1 concern. Observing the following statements and warnings reduces the likelihood of serious or fatal injury. Please review these safety rules regularly with your children.

Installation Hints

1. Adult assembly is required.
2. Choose a level location for the equipment. This location should be not less than six feet (1.8 meters) from any structure or obstruction, such as fence, garage, house, overhanging branches, overhead wires, laundry lines, tree stumps and/or roots, large rocks, bricks and concrete.
3. Identify all the parts for your Creative Cedar Designs play system. Keep all hardware and metal parts separate from wooden pieces. Check carefully to ensure all parts are present.
4. Never tighten hardware completely at first. It helps to have some adjustment for bolt alignment while you are attaching parts together. After everything is square, tighten each joint bolt.
5. Make sure not to allow children to use the equipment until it is properly installed.

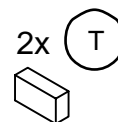
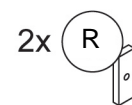
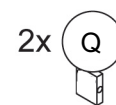
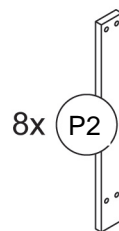
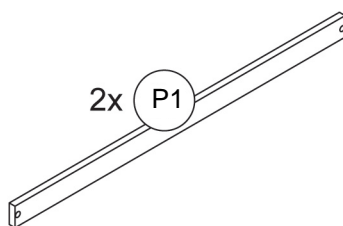
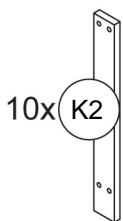
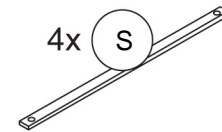
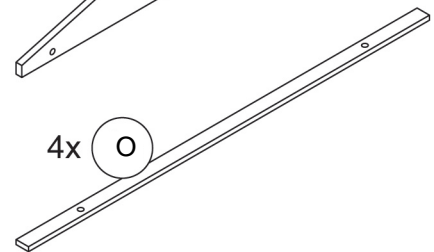
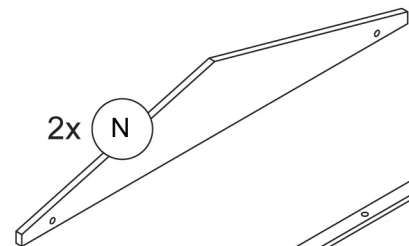
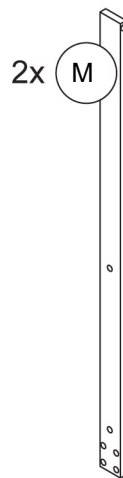
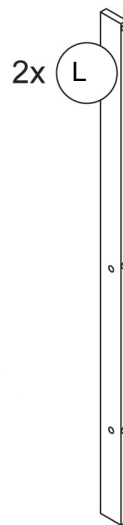
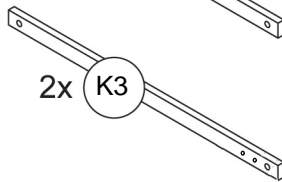
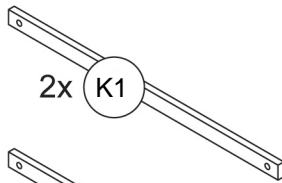
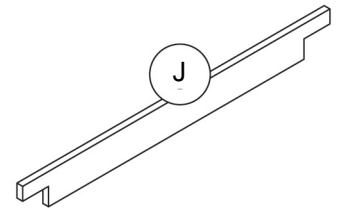
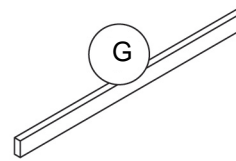
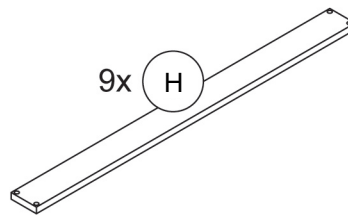
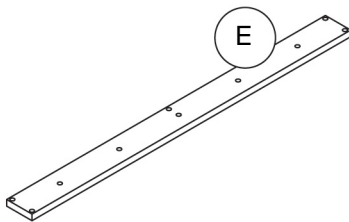
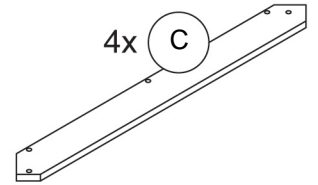
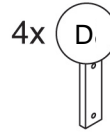
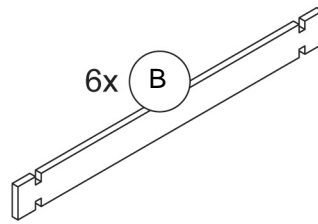
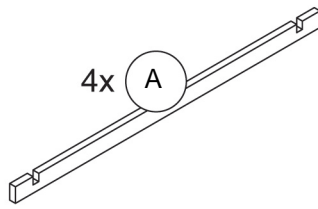
Operating Instructions

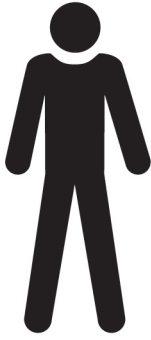
1. On-site adult supervision is required.
2. Parents should have the children dress appropriately with well-fitting shoes. Loose clothing such as scarves and ponchos should not be worn. Always take off, tie up or tuck in cords and drawstrings on children's clothing. These things can get caught on playground equipment and strangle a child.
3. Instruct Children not to walk close to, in front of, behind or between moving items, not to get off equipment while it is in motion, and not to attach items to the playground equipment that are not specifically designed for use with the equipment such as but not limited to, jump ropes, clotheslines, pet leashes, cable and chain. They may cause a strangulation hazard.

Maintenance

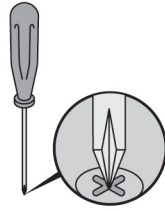
1. Check all hardware twice a month during play season and tighten as required, but not too tight to crack the wood. Check metal parts for rust. If found, sand and repaint with a non-lead based paint.
2. Oil all metallic moving parts monthly during play season.
3. Inspect wood parts monthly for deterioration and splinters. Sand down splinters and replace deteriorating wood parts.
4. To prolong the life of your play system, please store out of direct sunlight or exposure to extreme weather.

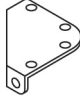














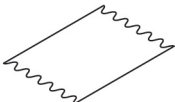

Any questions regarding maintenance and care of your play system, please feel free to call us at 1-888-363-4967.

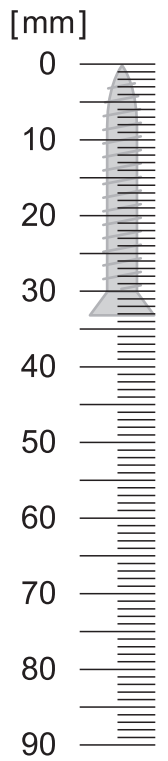


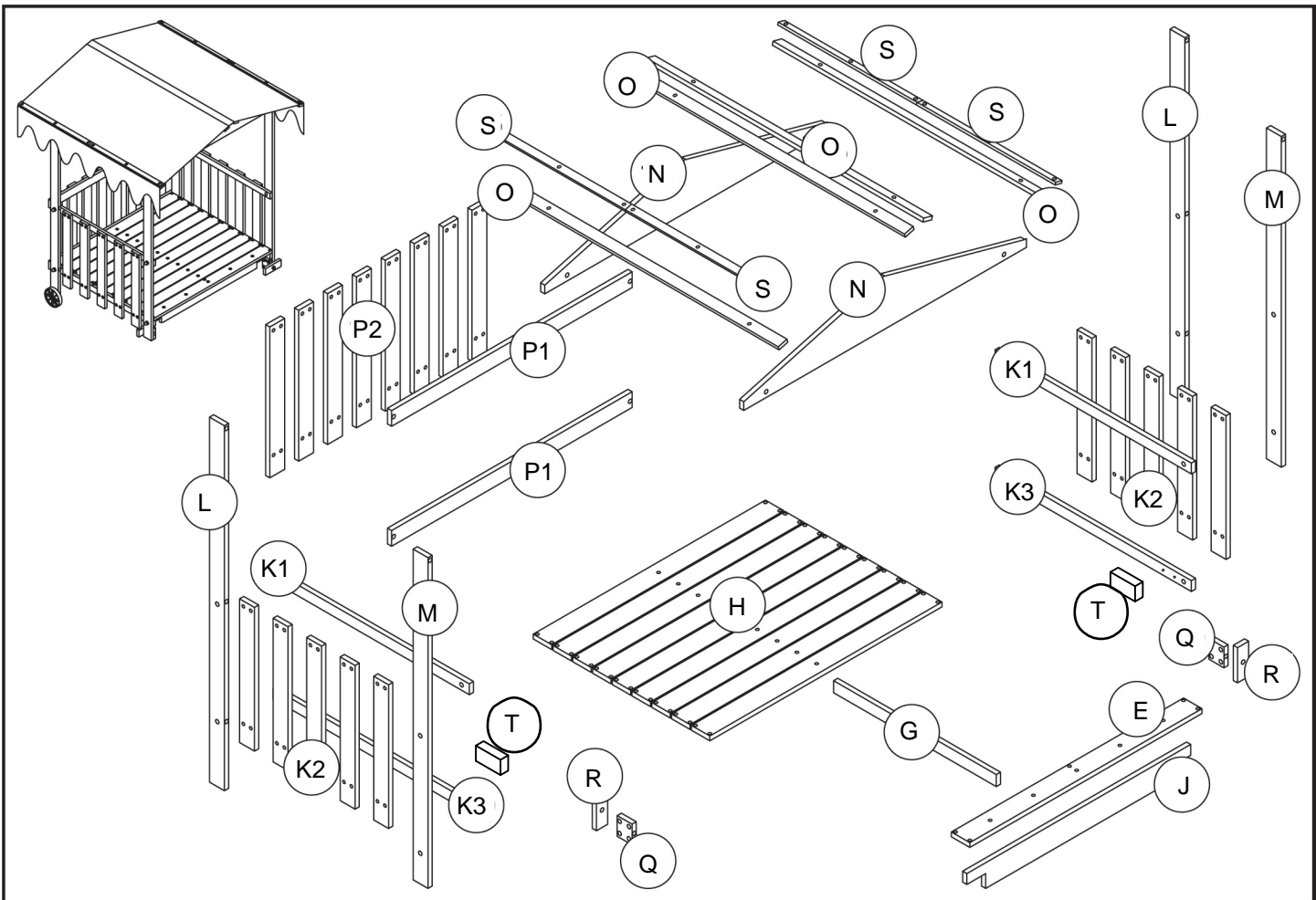
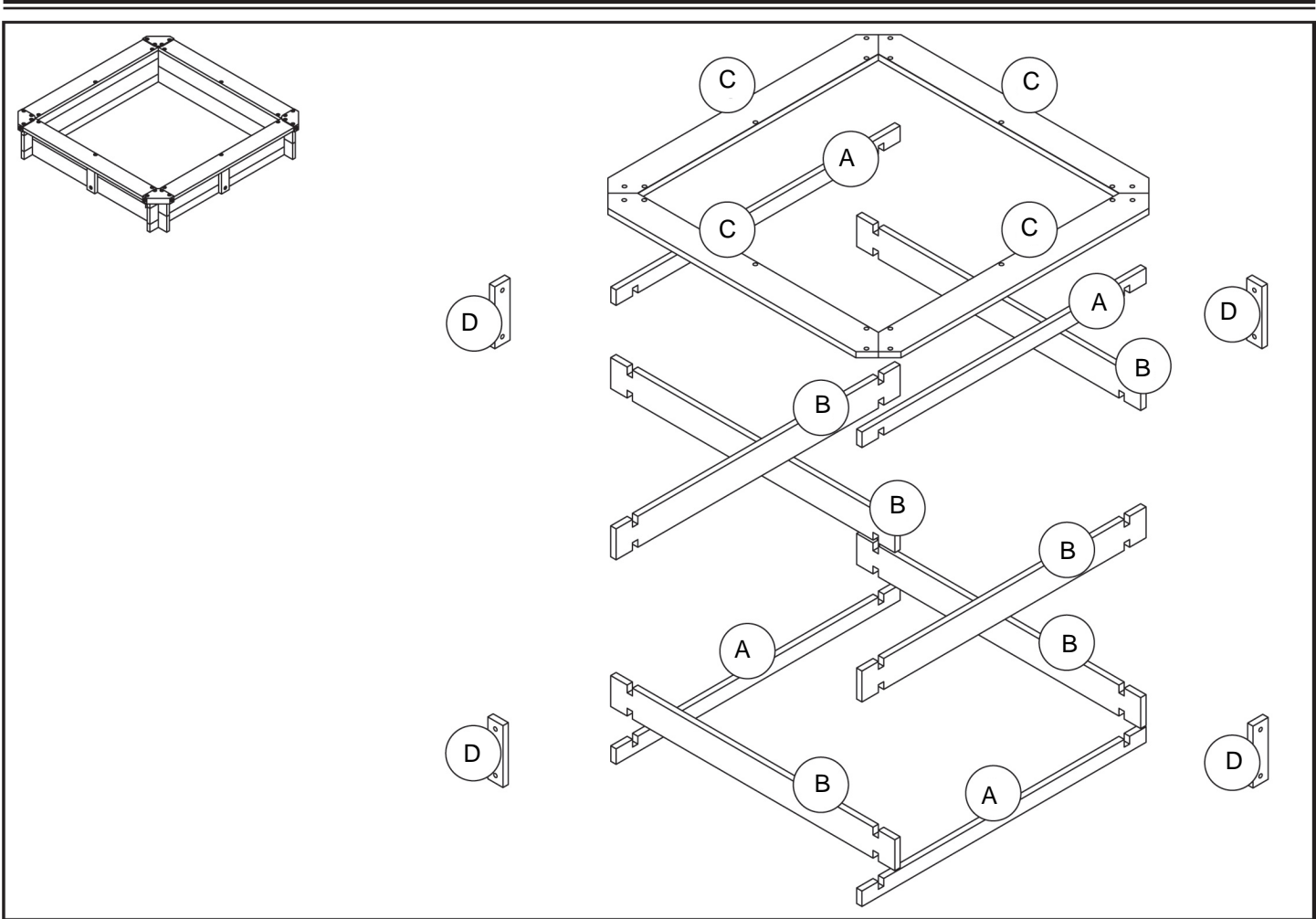


2 Pers.

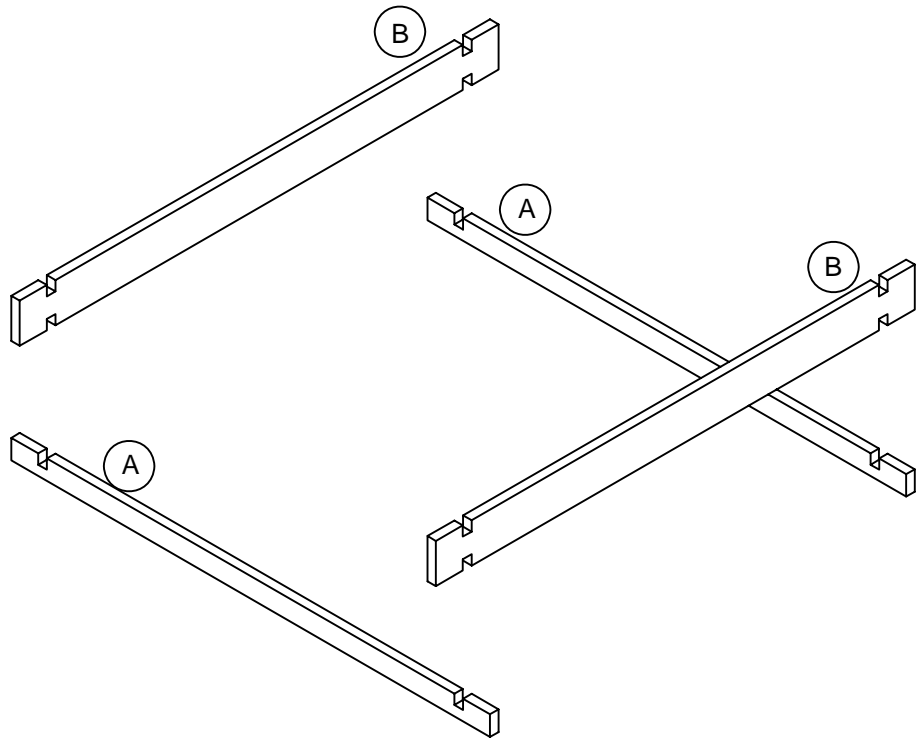


a		4	b		2
c		2	d	 ø 4mm x 40mm	91
e	 ø 4mm x 50mm	12	f	 ø 3mm x 30mm	76
g	 ø 3mm x 20mm	36	h	 ø 6mm x 100mm	8
i	 ø 6mm x 110mm	2	j	 ø 6mm x 65mm	8
k	 ø 12mm x 70mm	2	l		18
m		4	n		16
o	 M12	2	p		1
q	 M6	2			

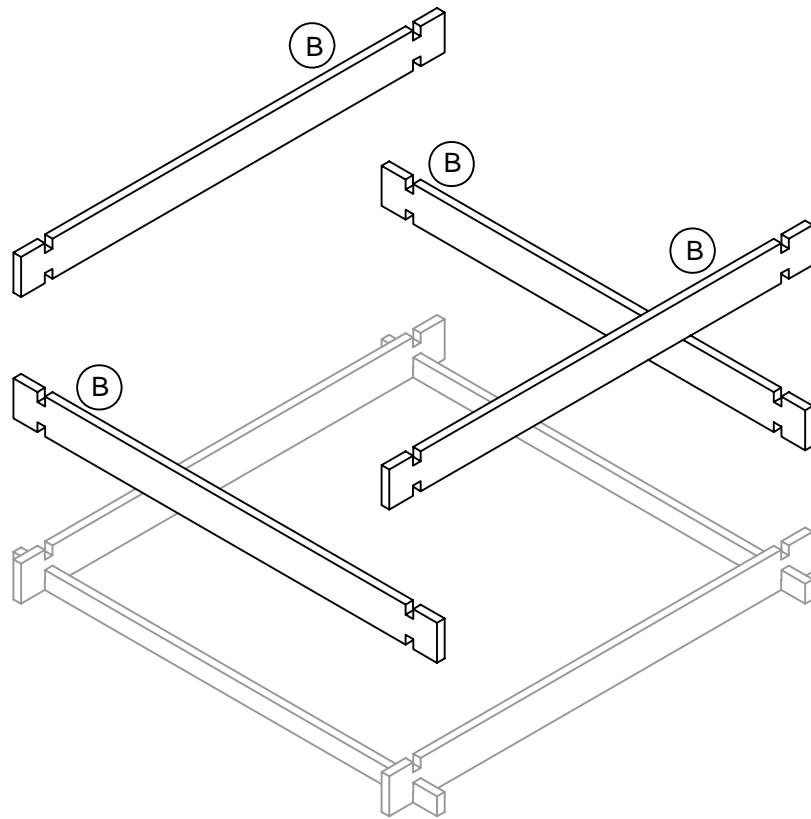




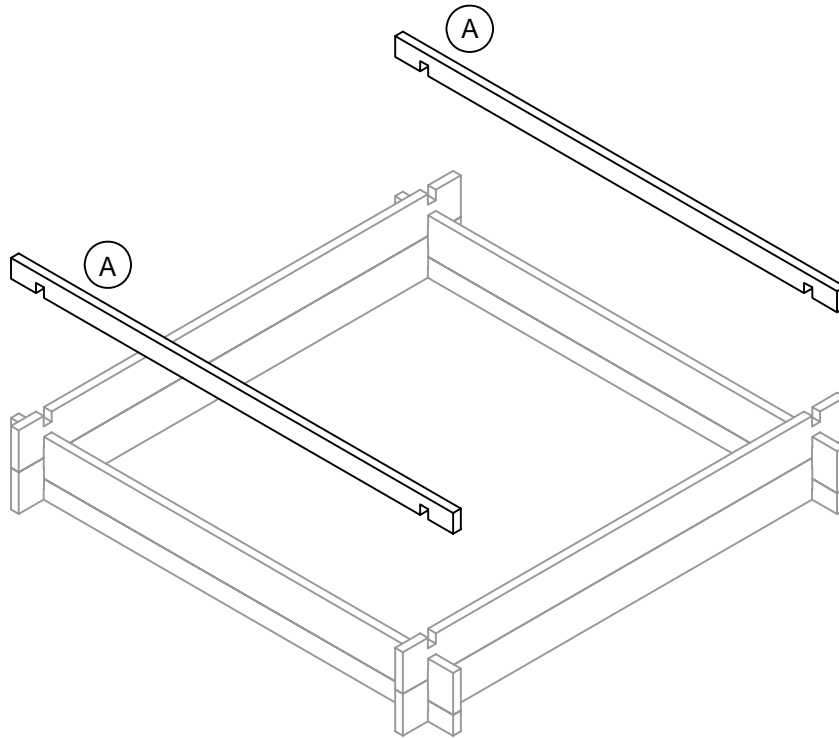
STEP:1



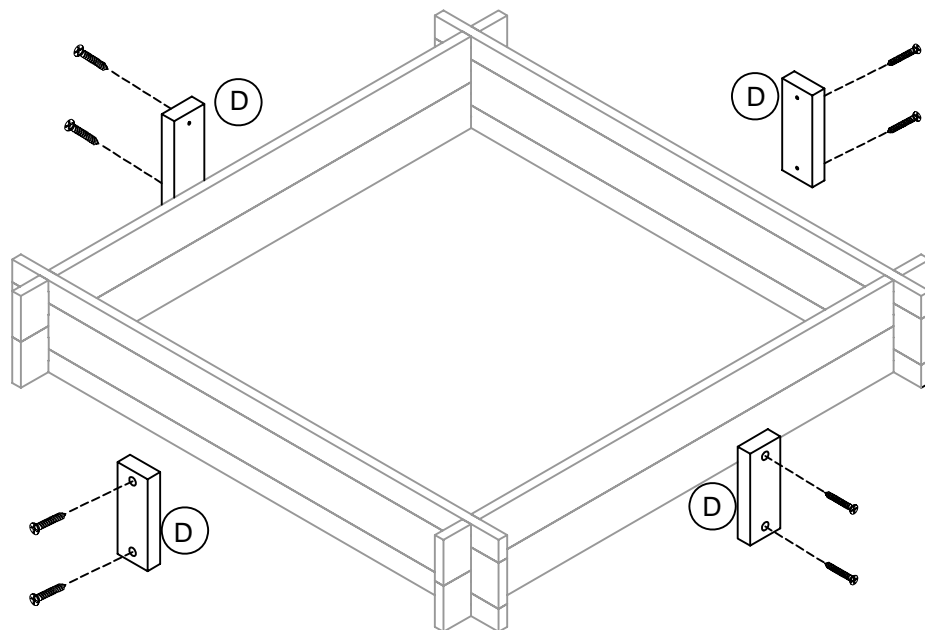
STEP:2



STEP:3



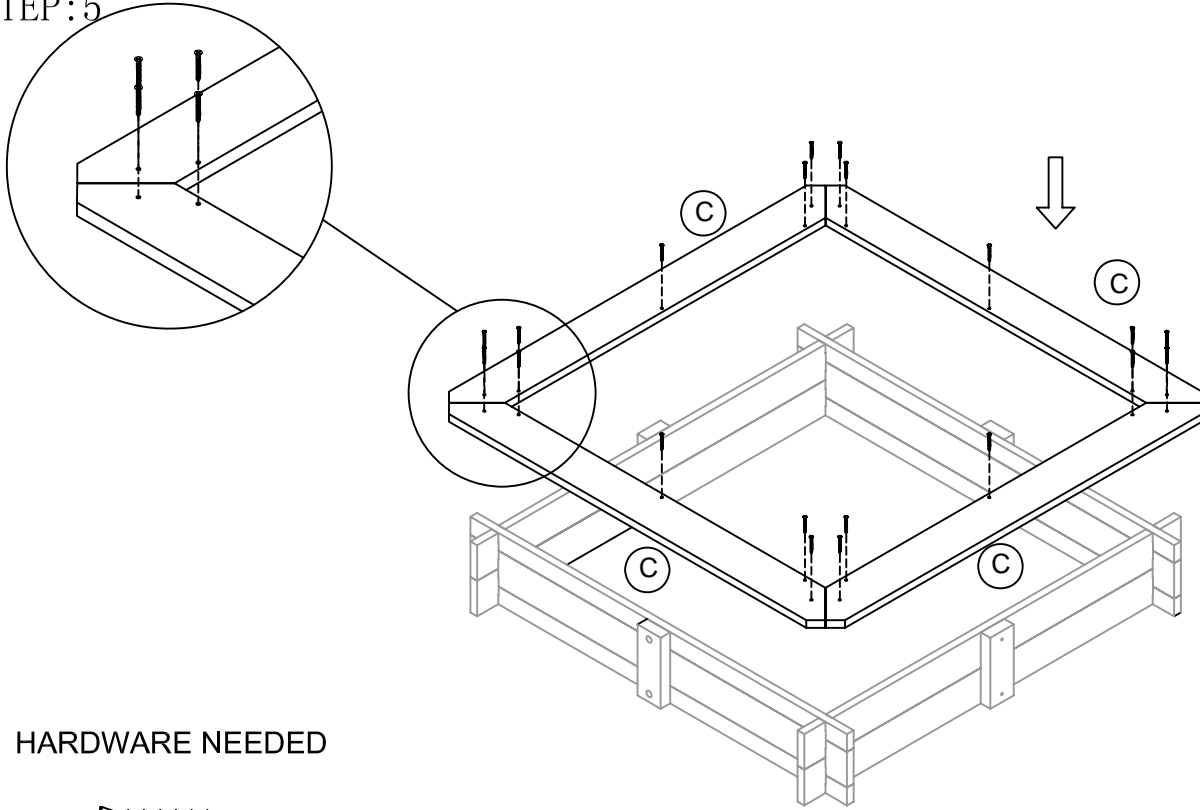
STEP:4



HARDWARE NEEDED



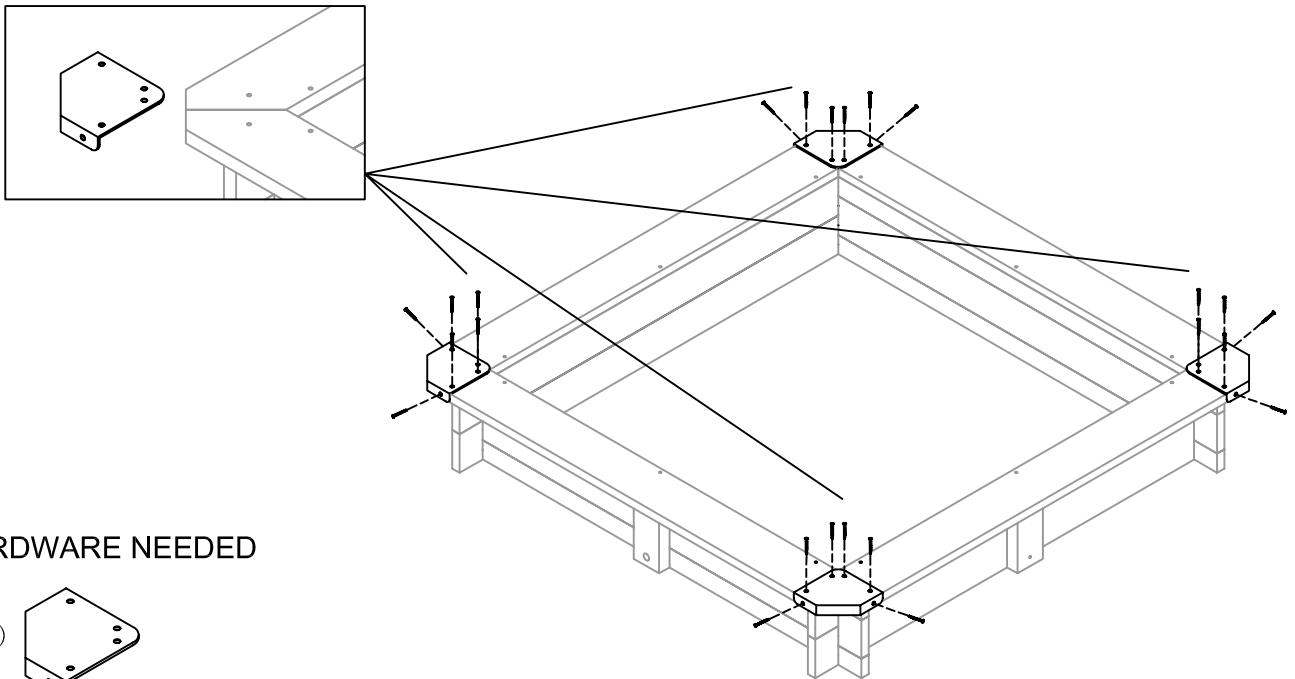
STEP:5



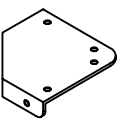
HARDWARE NEEDED


d. (20) 

STEP:6

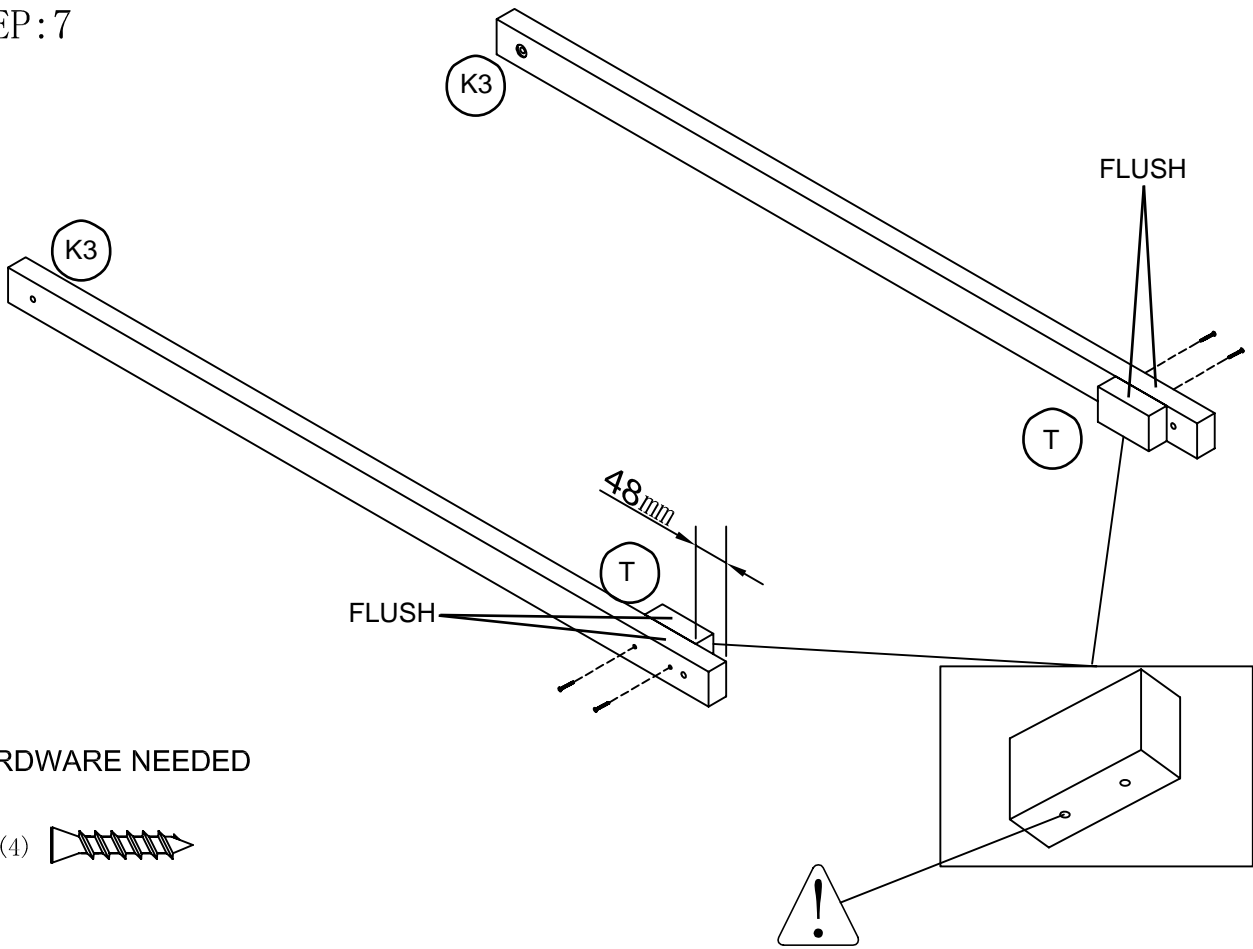


HARDWARE NEEDED

a. (4) 

g. (24) 

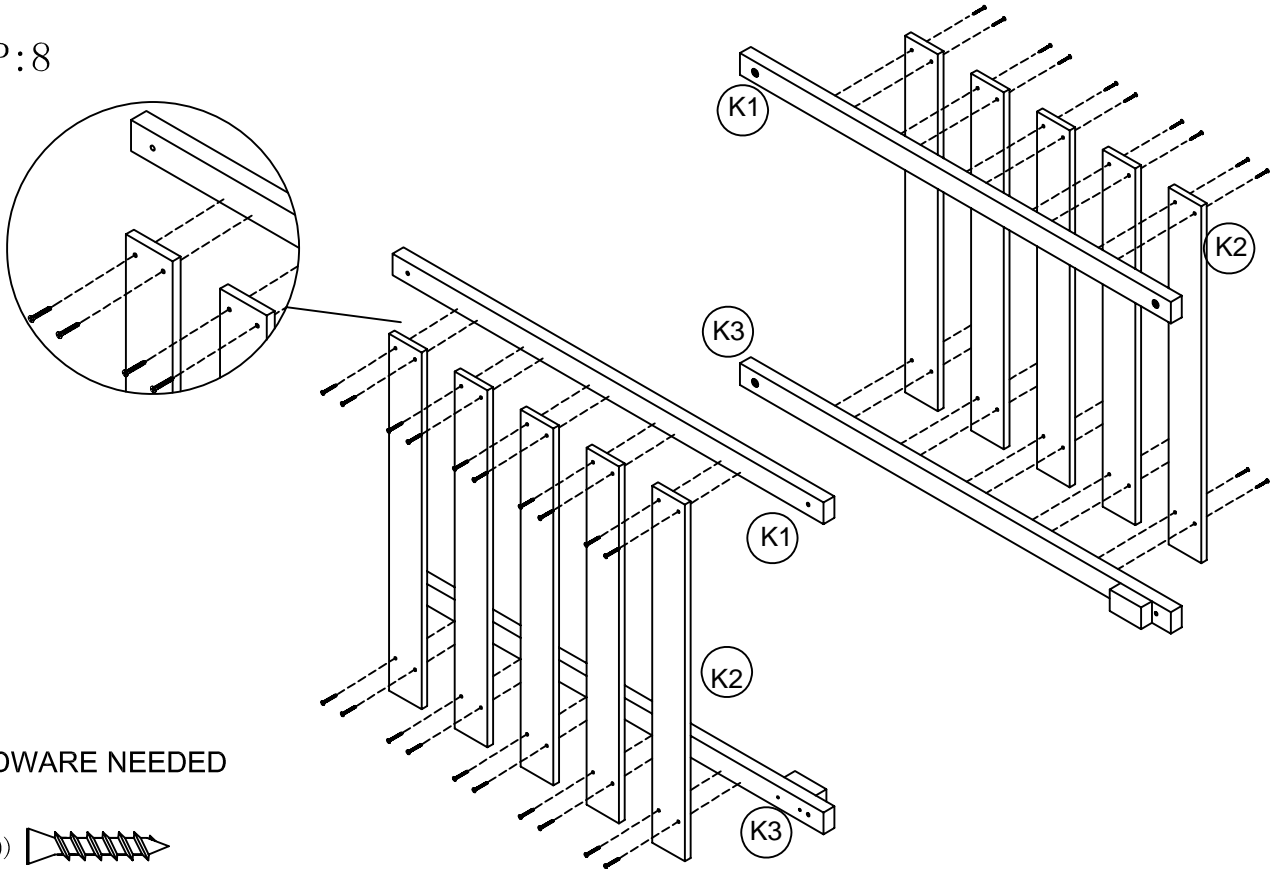
STEP:7



HARDWARE NEEDED

e. (4) 

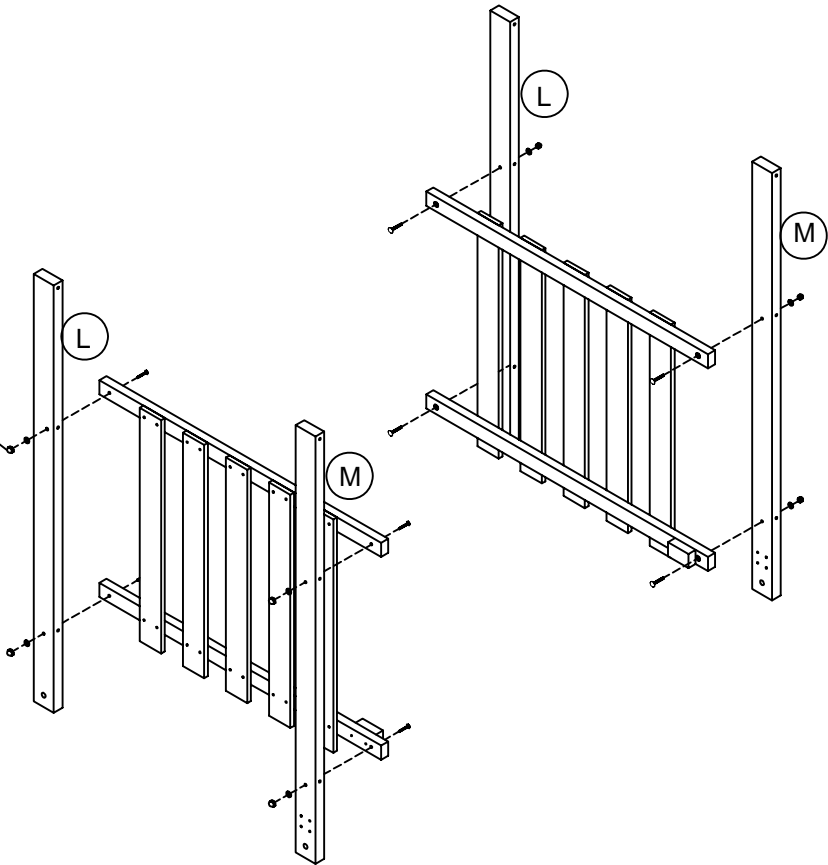
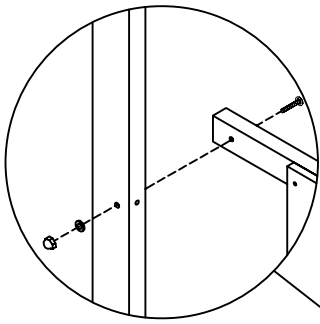
STEP:8



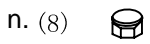
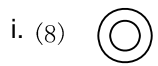
HARDWARE NEEDED

f. (40) 

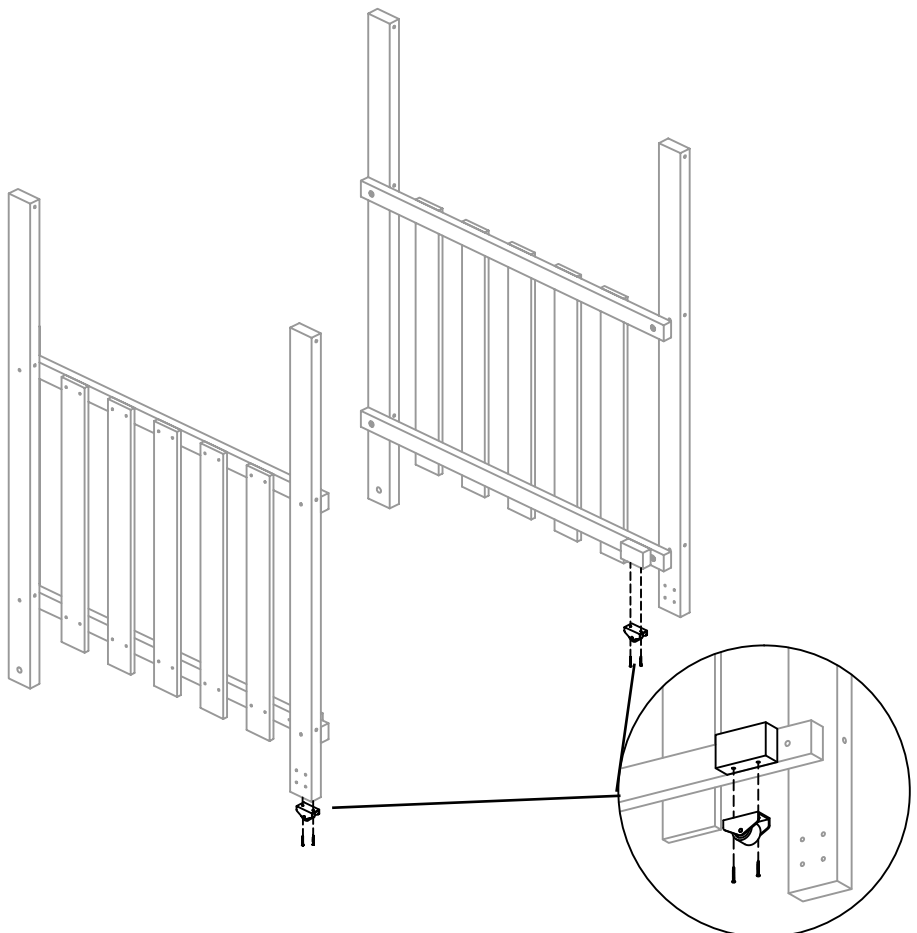
STEP: 9



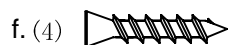
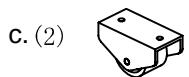
HARDWARE NEEDED



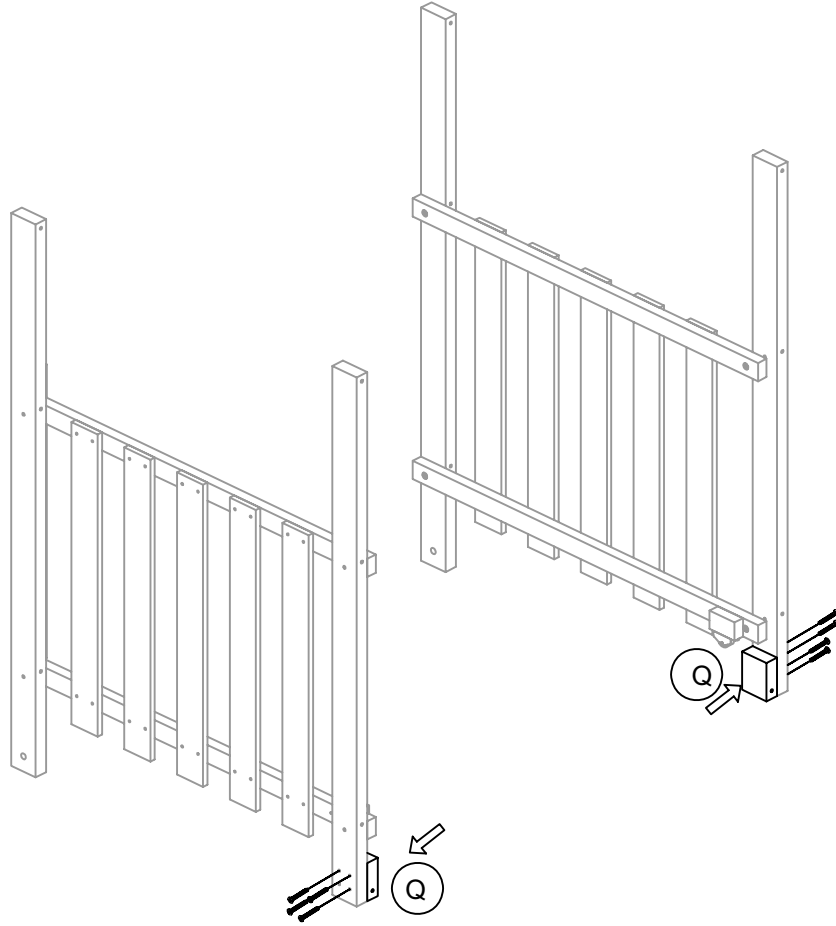
STEP: 10




HARDWARE NEEDED



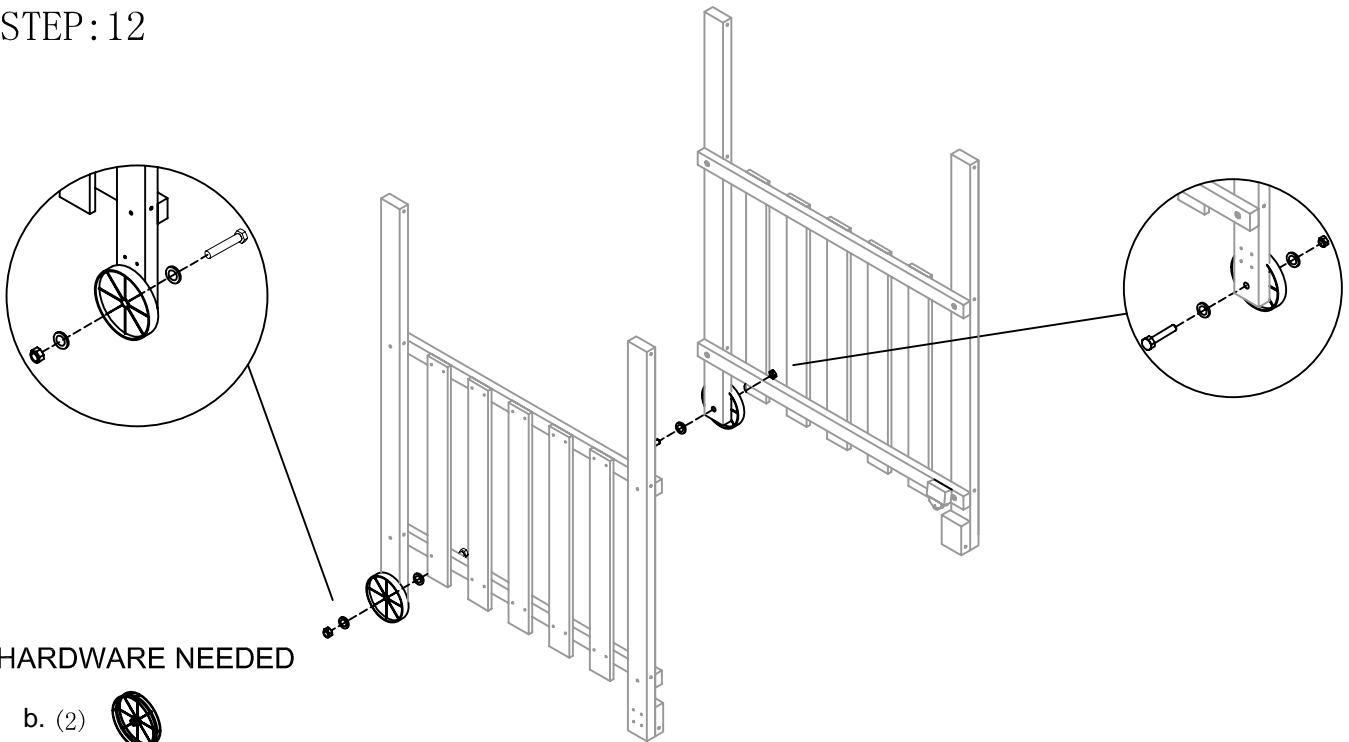
STEP: 11







HARDWARE NEEDED

- e. (8) 

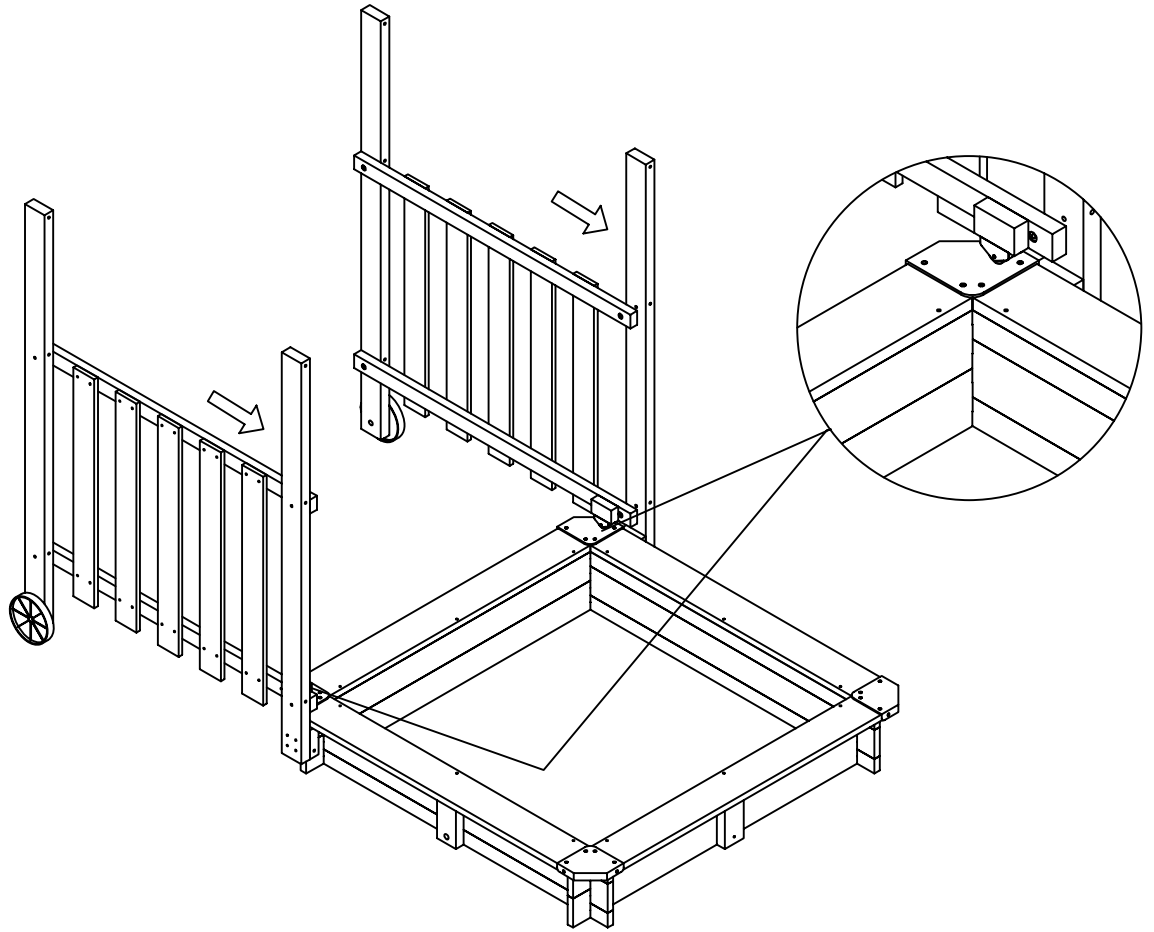
STEP: 12



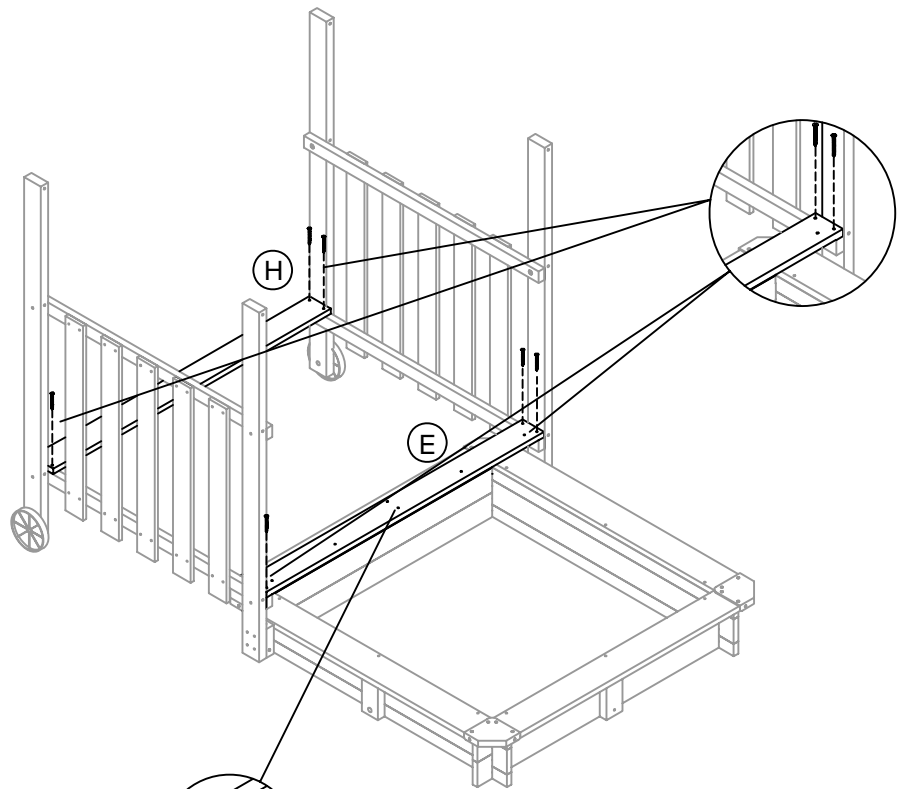
HARDWARE NEEDED

- b. (2) 
- k. (2) 
- m. (4) 
- o. (2) 


STEP: 13

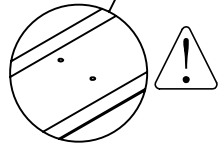


STEP: 14

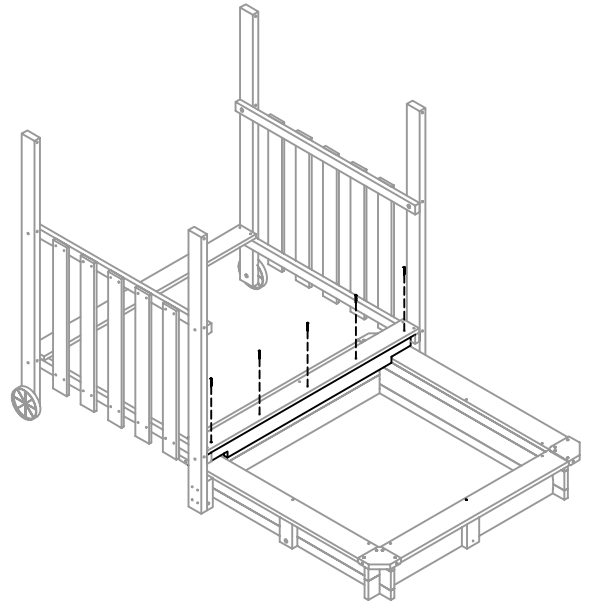
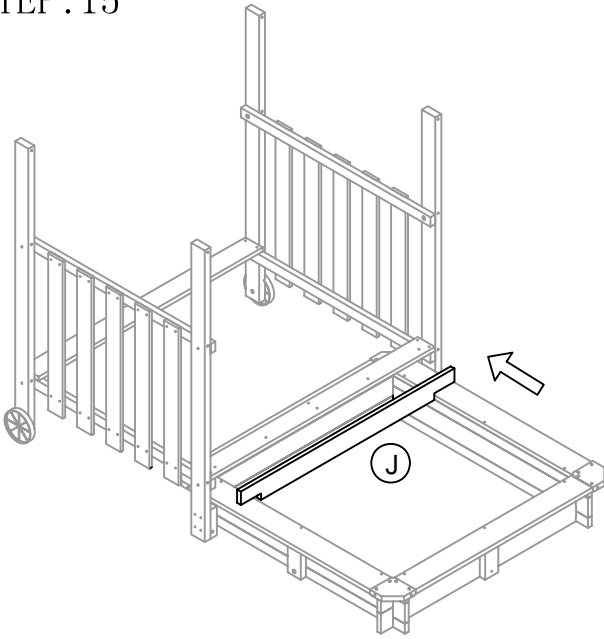


HARDWARE NEEDED

d. (8) 



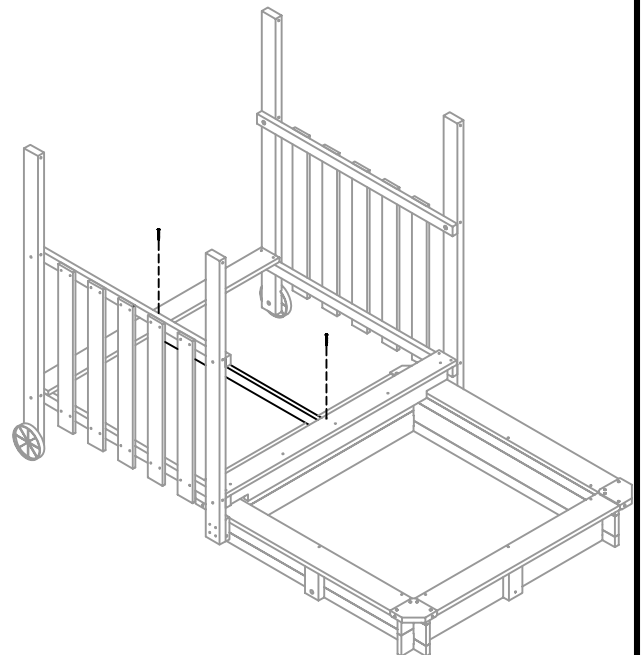
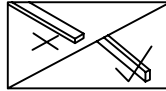
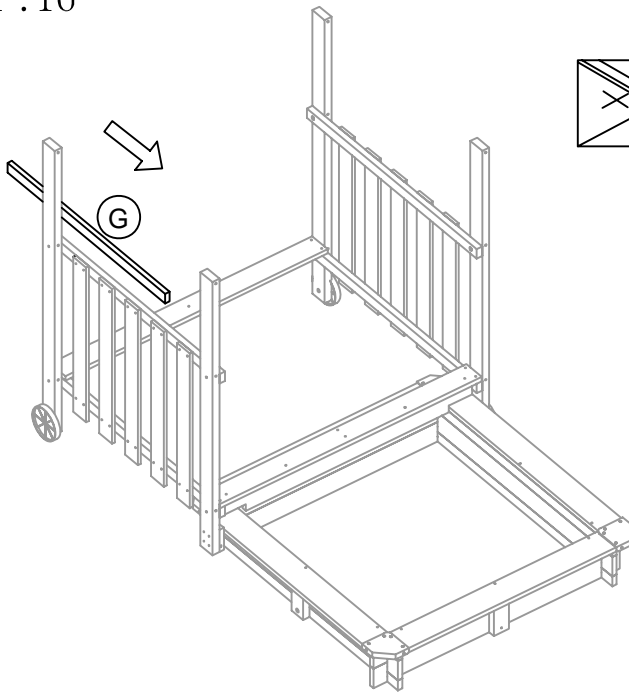
STEP: 15



HARDWARE NEEDED

d. (5) 

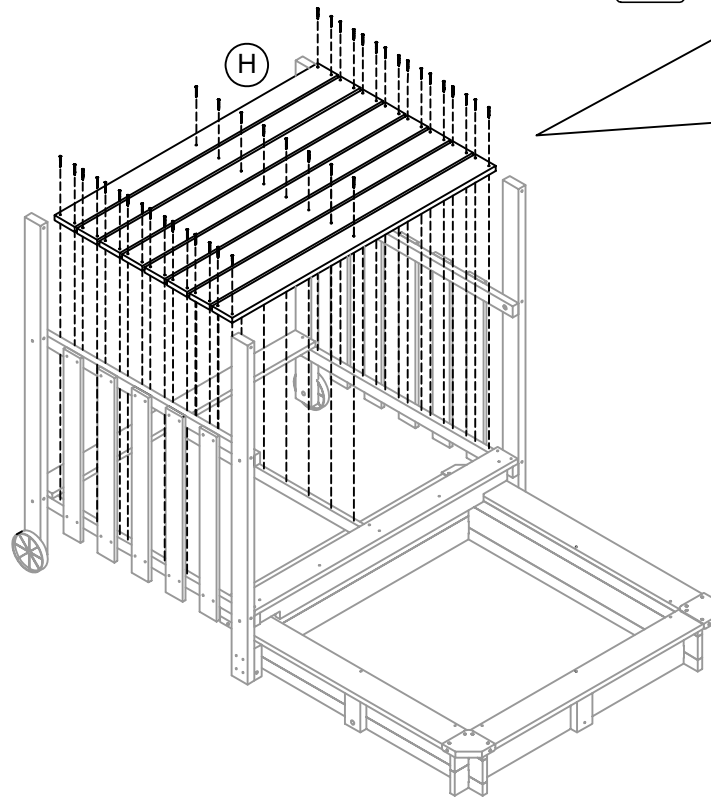
STEP: 16



HARDWARE NEEDED

d. (2) 

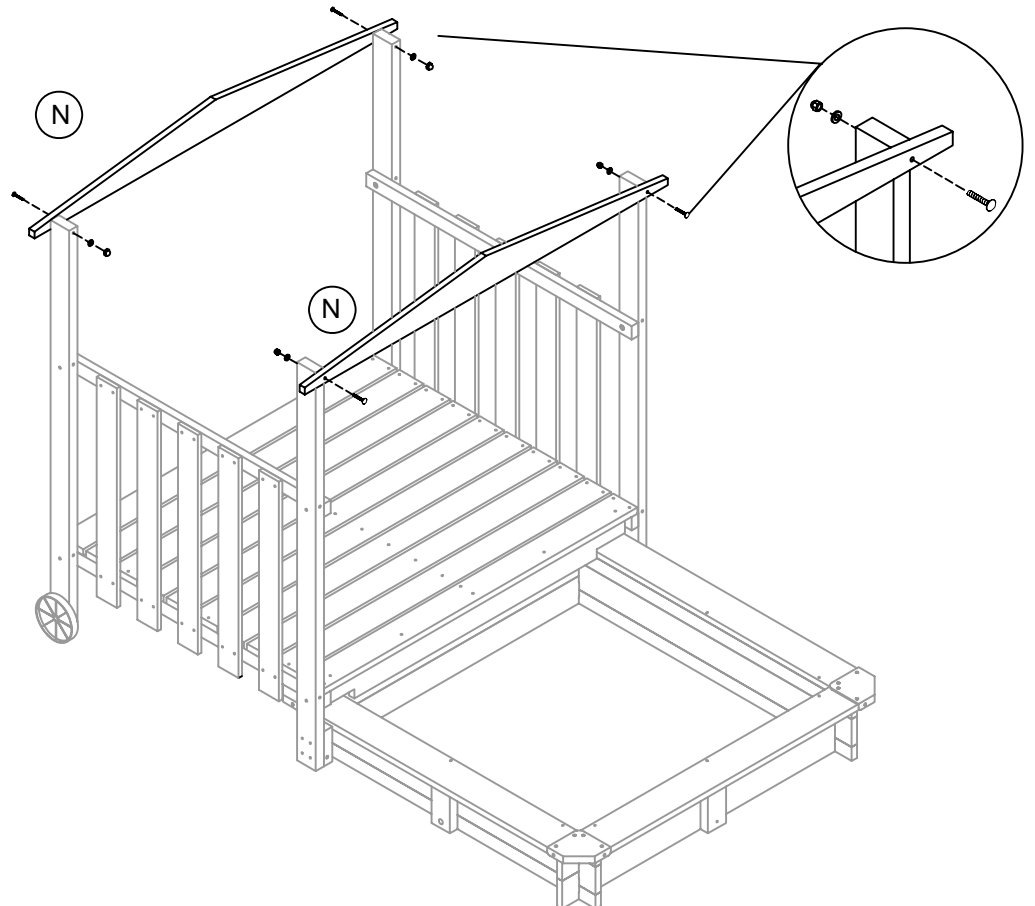
STEP:17



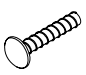
HARDWARE NEEDED


d. (40) 


STEP:18



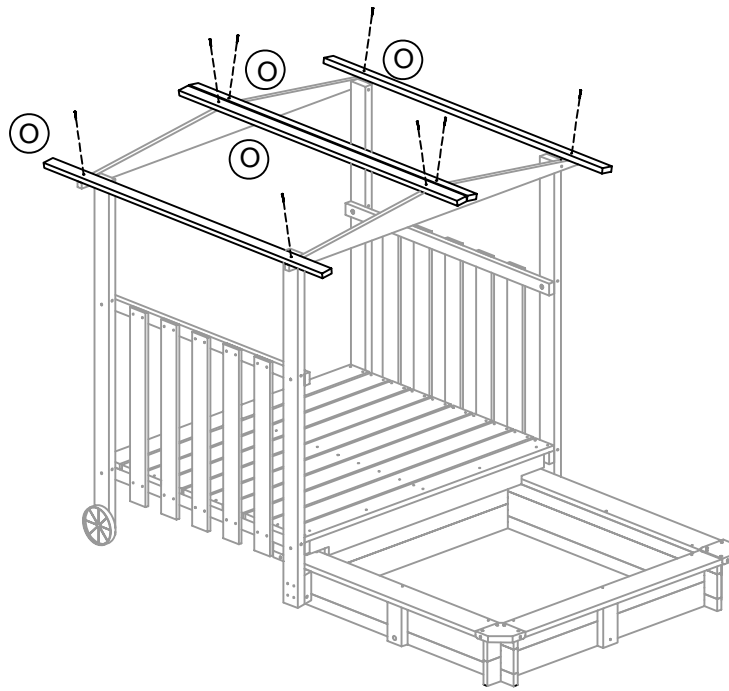
HARDWARE NEEDED

h. (4) 

l. (4) 

n. (4) 

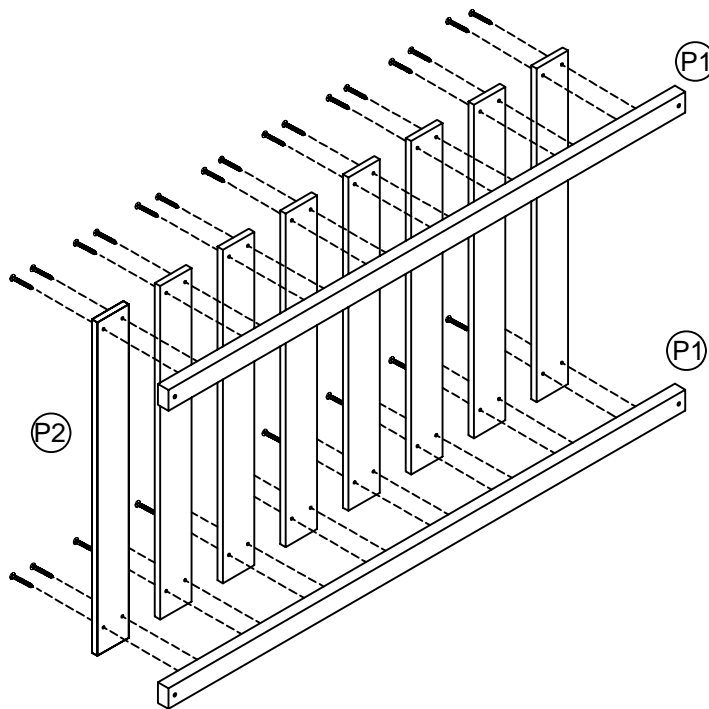
STEP: 19



HARDWARE NEEDED

d. (8) 

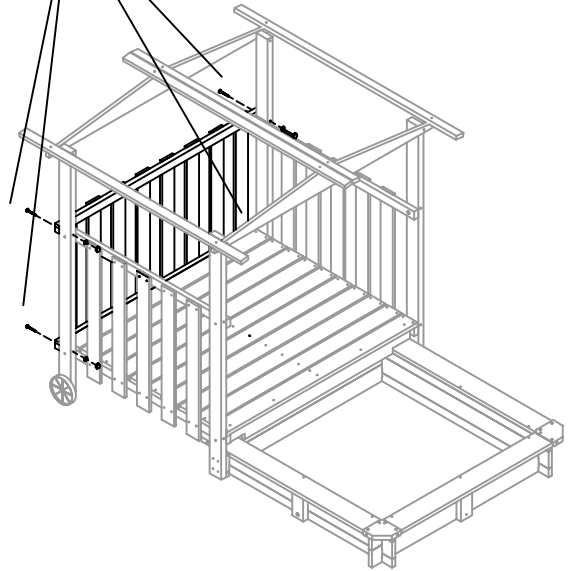
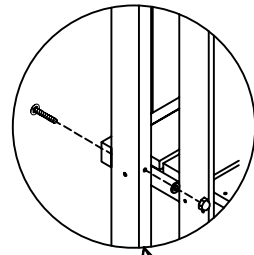
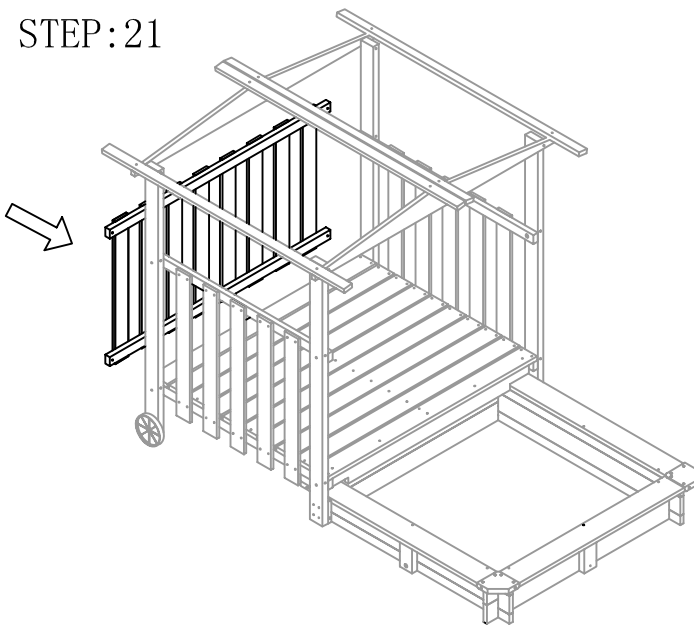
STEP: 20



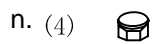
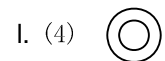
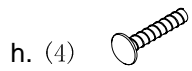
HARDWARE NEEDED

f. (32) 

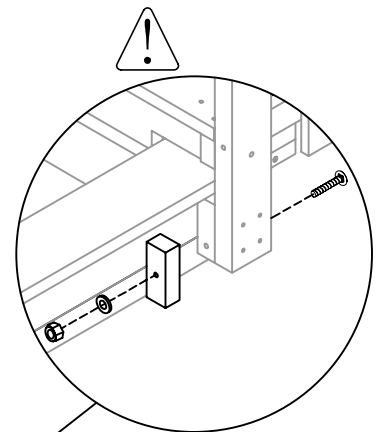
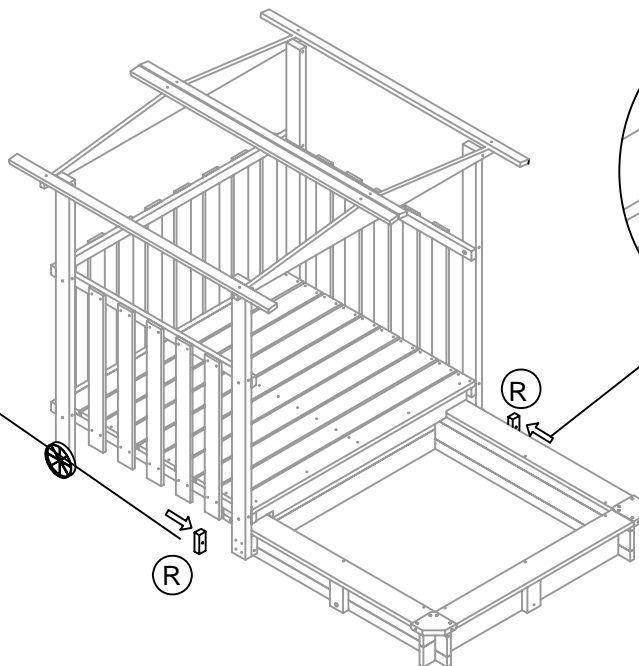
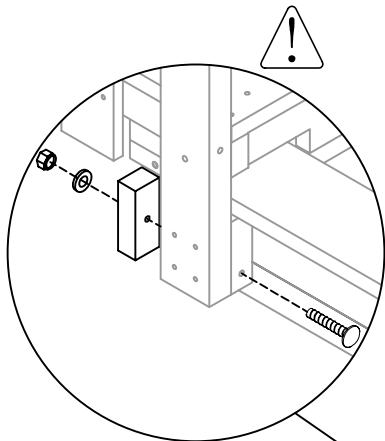
STEP : 21



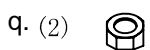
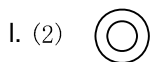
HARDWARE NEEDED



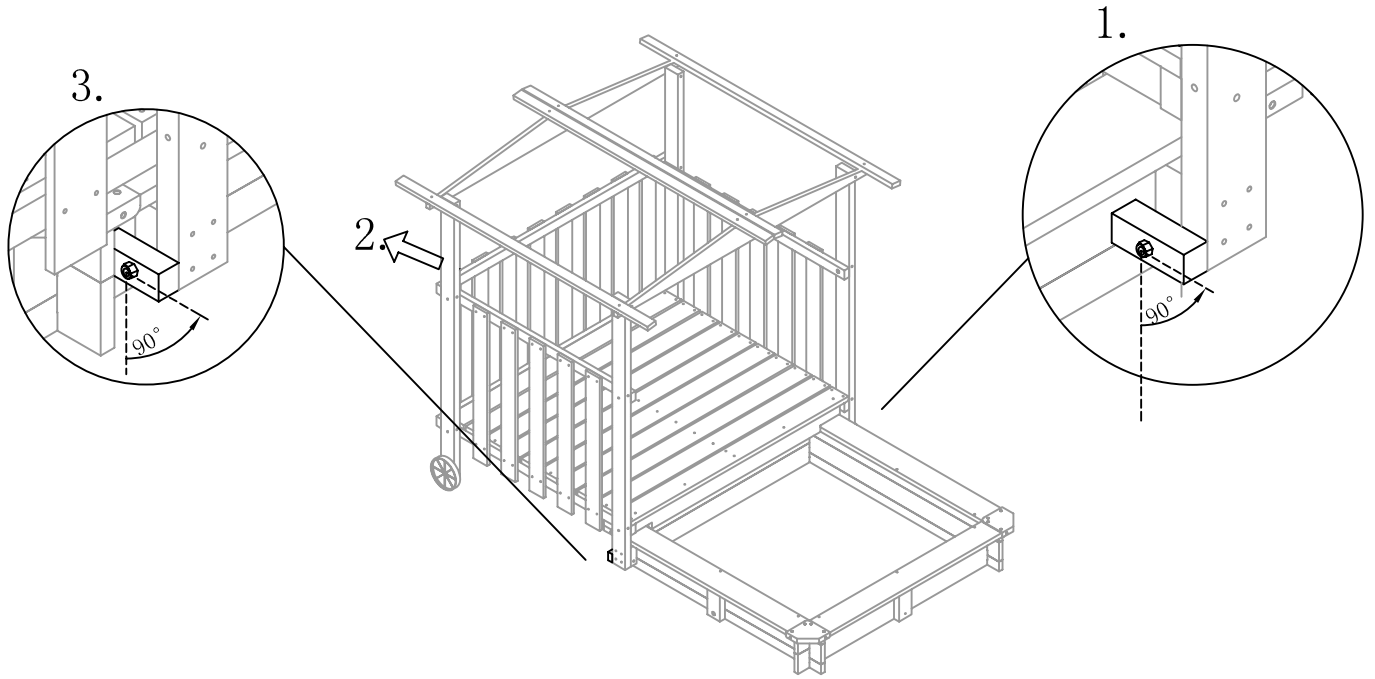
STEP : 22



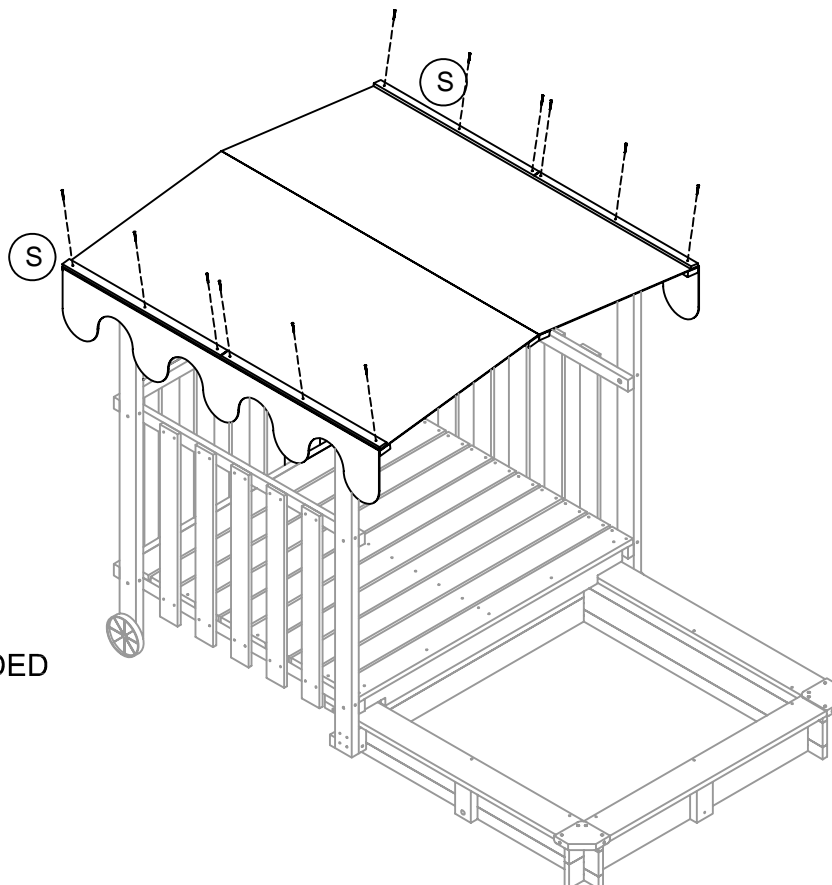
HARDWARE NEEDED



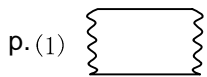
STEP : 23



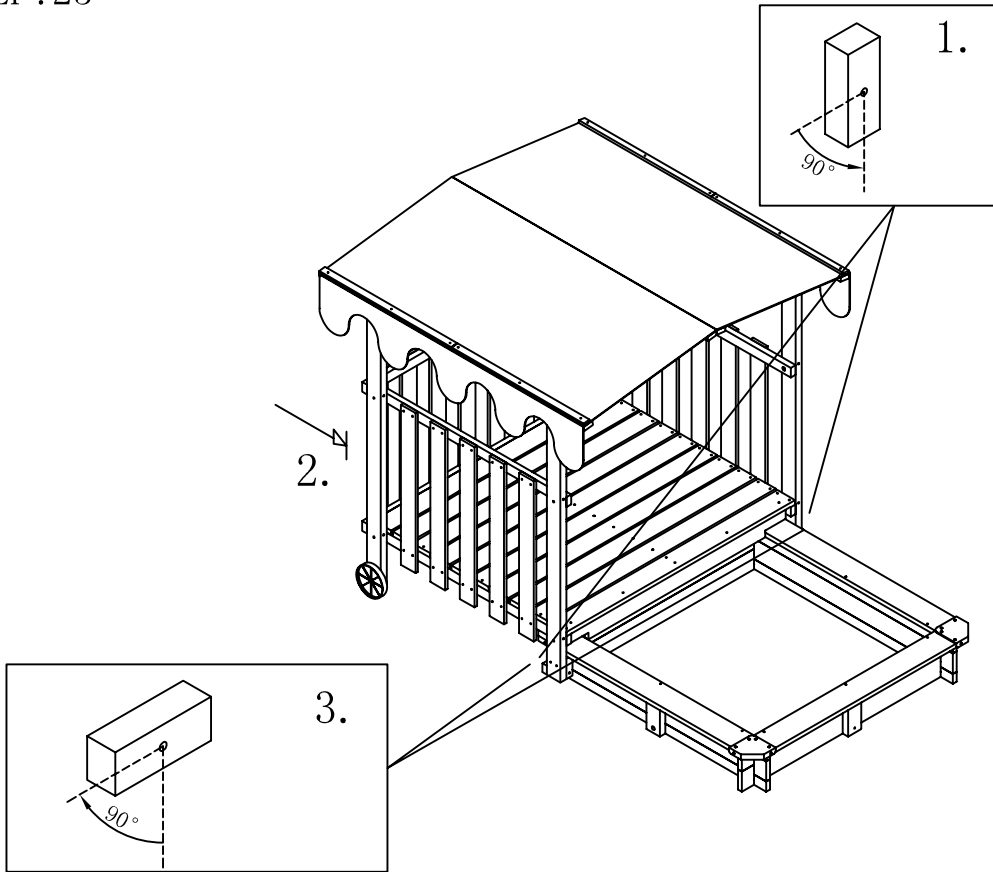
STEP : 24



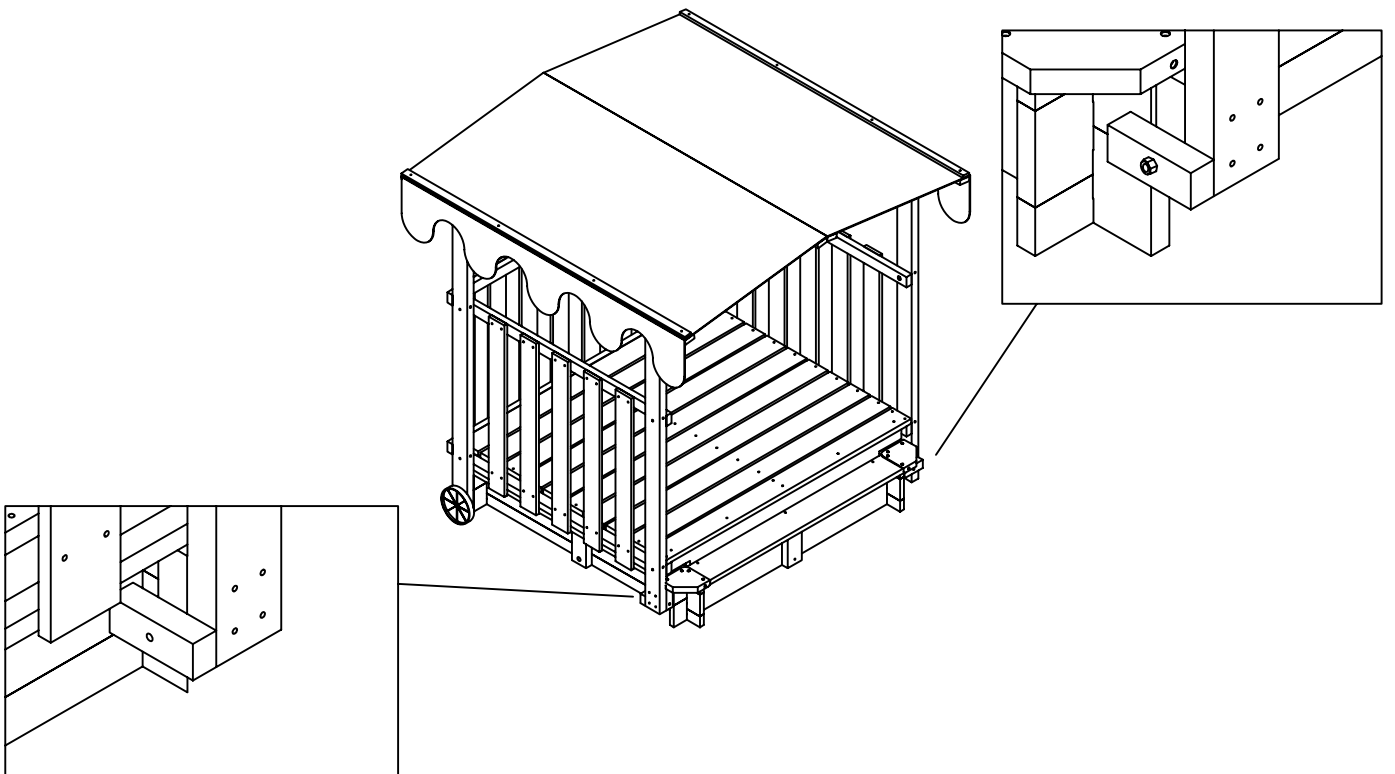
HARDWARE NEEDED



STEP : 25



STEP : 26



LIMITED WARRANTY

Creative Cedar Designs (CCD) warrants that the components of our set are free from defects in workmanship and materials, under normal use and conditions, for a period of one year from the original date of purchase.

In order to validate this Warranty, the product registration card, along with a dated purchase receipt, must be returned to CCD within 30 days. This non transferable warranty applies to the original owner/registrant.

Within a 30-day period, CCD will repair or replace, at CCD's discretion, any parts found to be missing from or damaged in the original packaging. CCD can only replace the defective part out of a manufacturer's defect and not seasonal check. Photographs are required for this claim. After the first 30 days, shipping and handling fee will apply.

Regular maintenance is required to assure the performance and integrity of this product. Imperfection or defects that develop due to a failure to proper maintenance are not covered by this warranty. This guarantee is effective only if the product is used for the purpose for which it was designed, maintained with accordance to the instructions, and installed at a residential, single family dwelling.

The warranty does not cover, (a) products which have been damaged by acts of God, negligence, misuse, or accident, or which have been modified or repaired by unauthorized persons; (b) the cost of labor; (c) the cost of shipping the product, any part, or any replacement product or part; (d) damage caused by the addition of any accessories not sold by CCD; (e) parts that have been modified, altered or misused; (f) cosmetic defects that do not affect the structural integrity such as warping, checking or any other natural occurring physical properties of wood that do not present a safety hazard; (g) defects that develop because the product is exposed to extreme climate conditions; (h) defects that develop as a result of faulty or improper installation including but not limited to installation on uneven, unlevel, or soft ground; (i) use in a public place such as schools, churches, playgrounds, parks, day care.

This Warranty gives you specific legal rights. You may have other rights as well which vary from state to state or province to province. This warranty excludes all consequential damages, however, some states do not allow the limitation or exclusion of consequential damages and therefore this limitation may not apply to you.

For warranty service or replacement part information, please visit our website at www.creativecedardesigns.com and submit a request. If you have any additional questions, please call 1-888-363-4967

Replacement parts are still available for purchase after the warranty expires. Please contact us by email at custservice@creativecedardesigns.com for details.