



Count on it.

Parts Catalog

**Flex-Force Power System™ 60V
MAX 21in**

Recycler® Lawn Mower

Model No. 21323—Serial No. 400000000 and Up



Ordering Replacement Parts

To order replacement parts, please supply the part number, the quantity, and the description of each part desired.

Understanding Reference Numbers

Each identified part in an illustration has a reference number. The reference number for a part also appears in the parts list, along with other information about the part.

This catalog uses two special reference number formats, one to indicate parts in a service assembly and another to indicate the quantity of a given part in an illustration.

Service Assembly Reference Numbers

Parts in service assemblies have reference numbers in the form a:b. The a represents the reference number of the entire service assembly and the b represents a sequential number unique to each part within the service assembly.

For example, a wheel assembly might be identified by reference number 6, the tire by 6:1, the valve by 6:2, and the wheel by 6:3. When you order the assembly identified by reference number 6, you receive all parts identified by reference numbers 6:1, 6:2, and 6:3. However, you may also order any part individually. Reference numbers of this type appear in illustration and in parts lists.

Reference Numbers Indicating Quantity

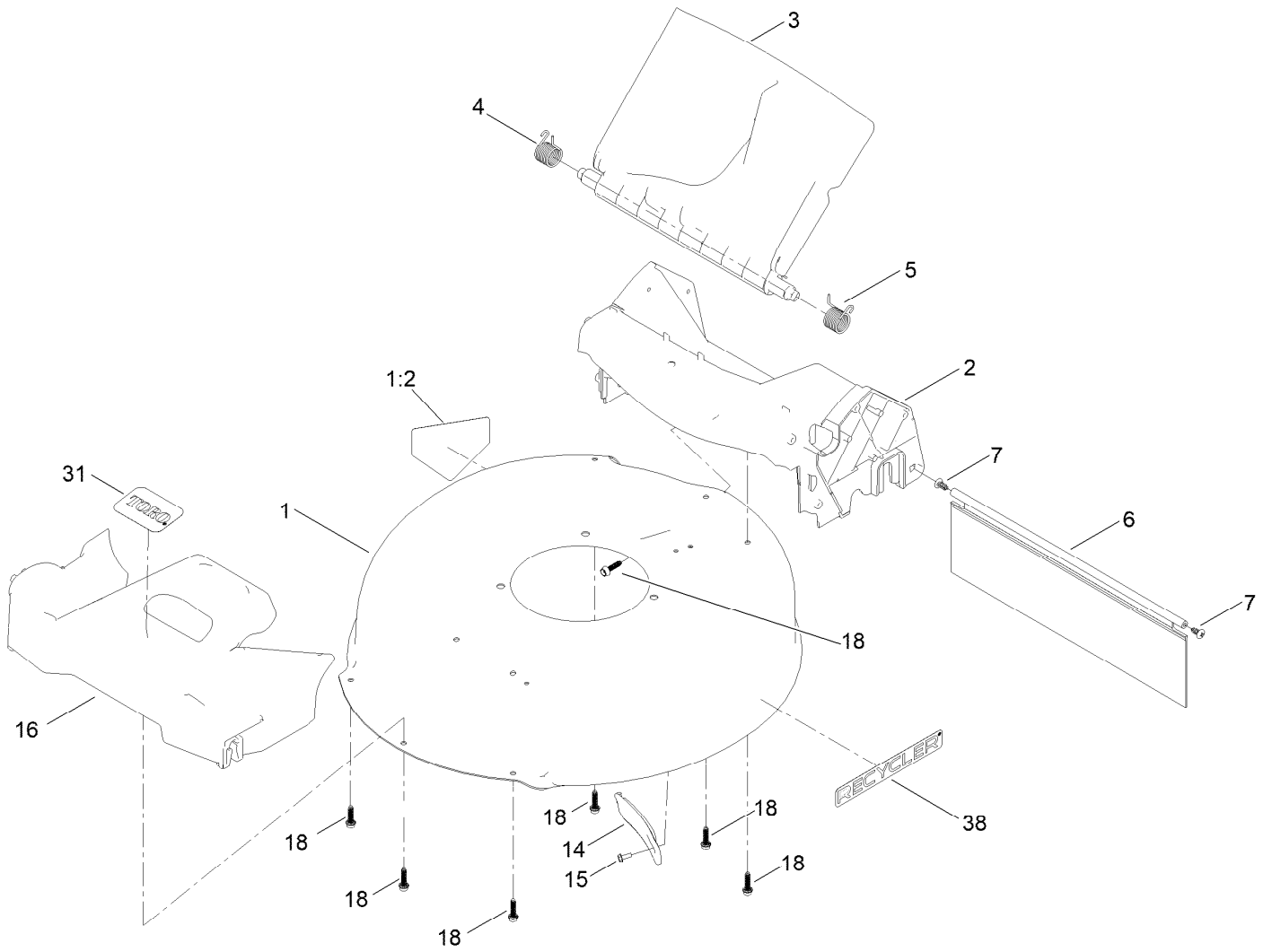
In an illustration, if a reference number indicates more than one part, the reference number has the form nX y. The n represents the quantity of the part, the X is the multiplication symbol, and the y represents the reference number.

For example, in an illustration, the reference number 2X 37 means that two of the parts identified by reference number 37 are indicated.

Contents

Housing Assembly	4
Grass Bag and Frame Assembly	6
Motor Module and Blade Assembly	8
Motor Module Assembly No. 139-6660 Lower Shroud Assembly	10
Motor Module Assembly No. 138-6660 Hood and Upper Shroud Assembly	12
Front Wheel and Height-of-Cut Assembly	14
Rear Wheel and Height-of-Cut Assembly	16
Handle Assembly	18
Starter Assembly	20
Attachments and Accessories	22

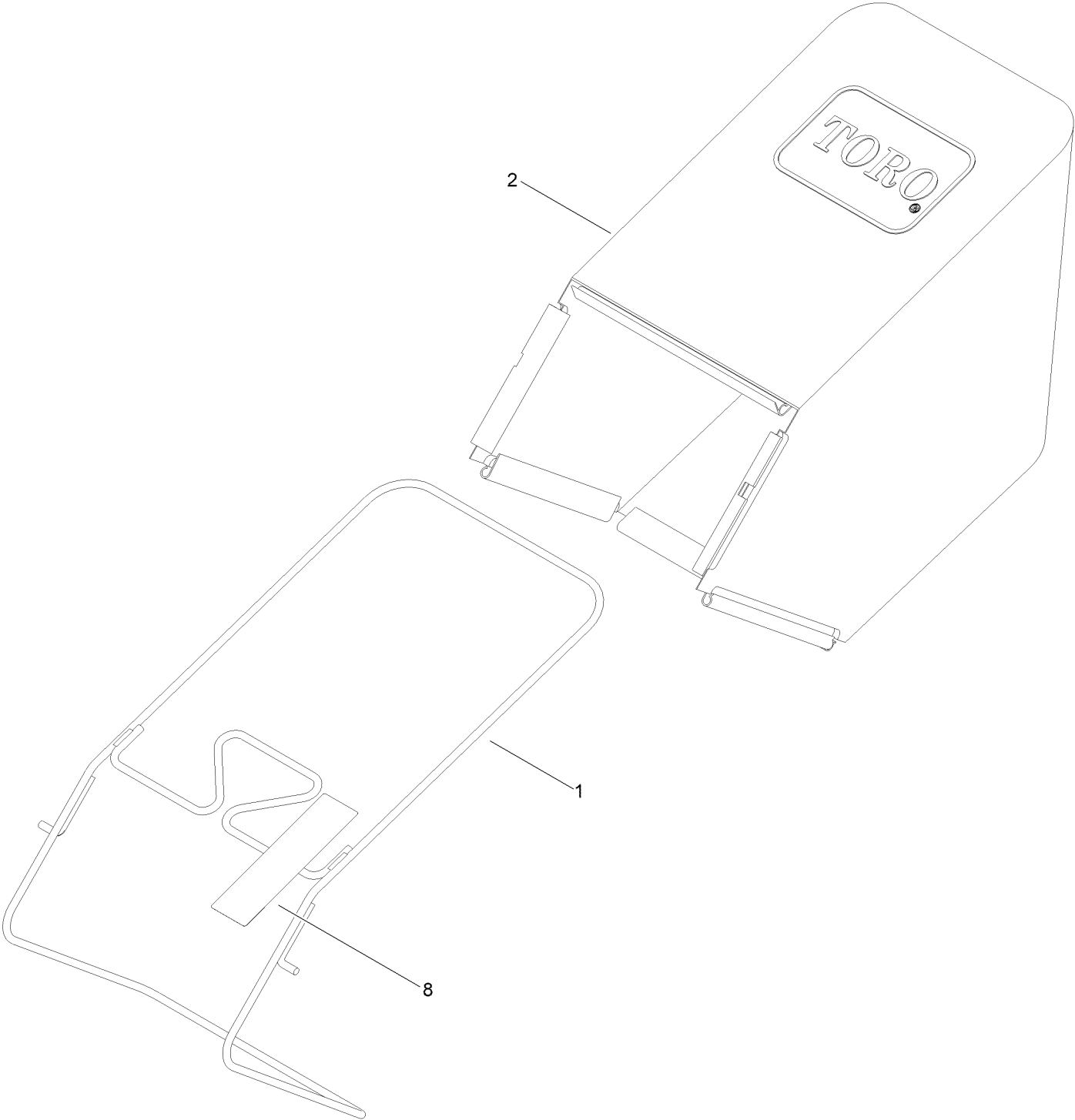
Housing Assembly



Housing Assembly (continued)

<i>Ref.</i>	<i>Part Number</i>	<i>Qty.</i>	<i>Description</i>	<i>Ref.</i>	<i>Part Number</i>	<i>Qty.</i>	<i>Description</i>
1	147-8621	1	Housing ASM	7	117-1092	2	Screw-PTH
1:2	94-8072	1	Decal-Danger	14	132-4518	1	Cover-Belt
2	145-5506	1	Chute-Sp/Awd, 21 In	15	32144-1	1	Screw-Taptite
3	145-5517	1	Deflector-Rear ASM	16	145-5518	1	Bumper
4	147-0465	1	Spring-Torsion	18	130-6658	9	Screw-Flange, Plastic
5	147-0466	1	Spring-Torsion	31	145-0854	1	Decal-Toro, Silver
6	147-0443	1	Shield-Trailing	38	140-4184	2	Decal

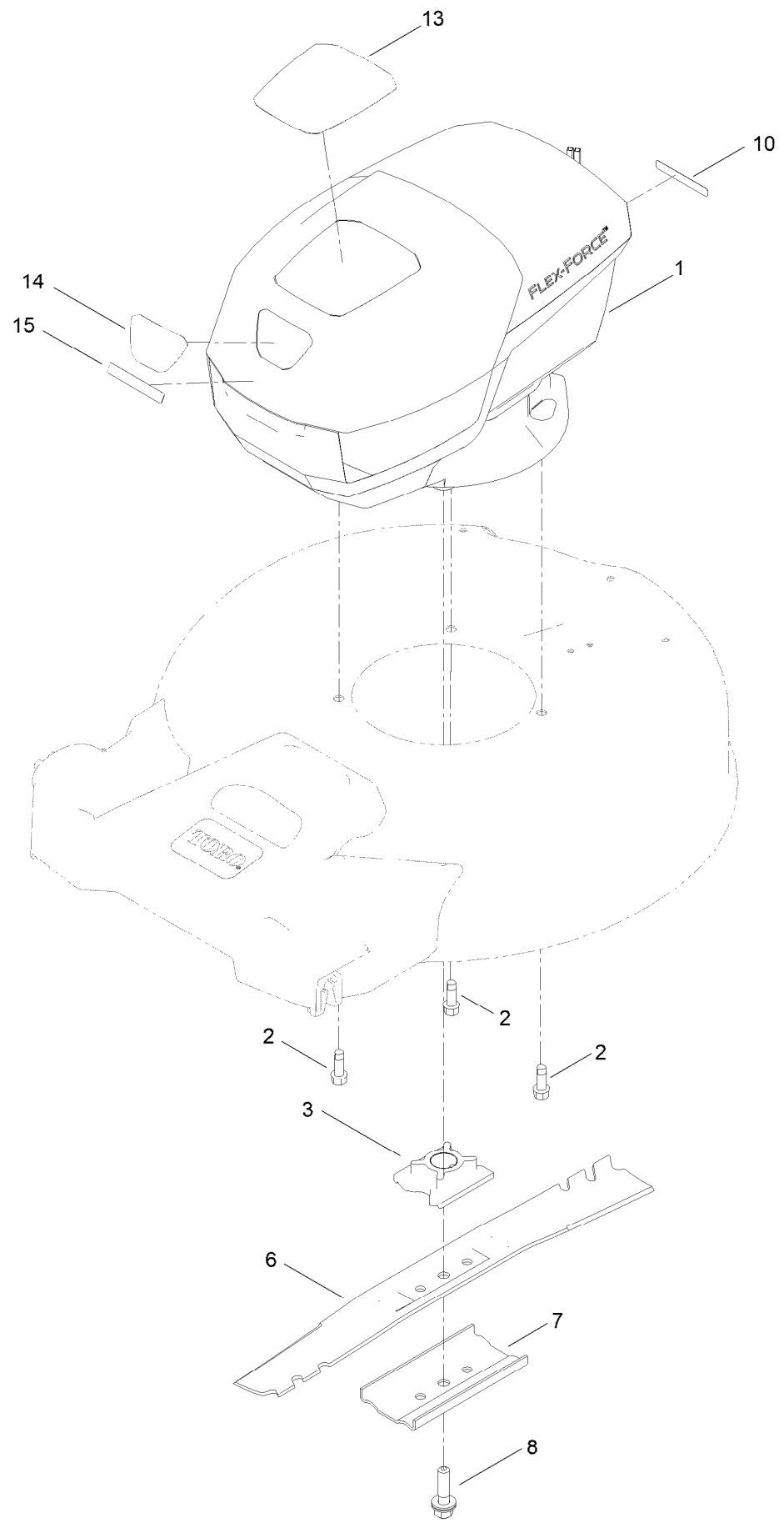
Grass Bag and Frame Assembly



Grass Bag and Frame Assembly (continued)

<i>Ref.</i>	<i>Part Number</i>	<i>Qty.</i>	<i>Description</i>
1	145-5512-03	1	Frame-Bag
2	147-0418	1	Bag ASM
8	139-8986	1	Decal-Warning (Bag)

Motor Module and Blade Assembly

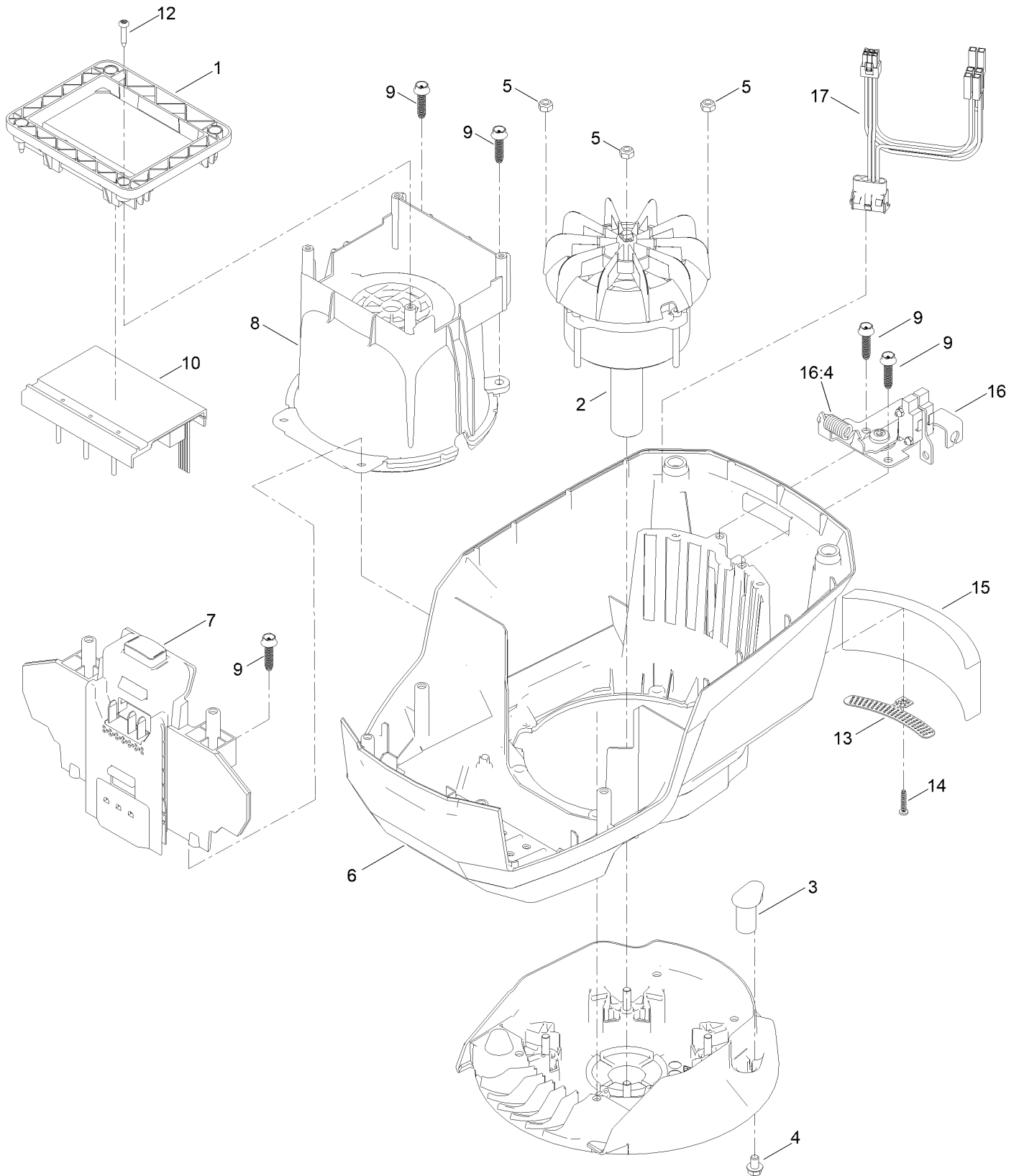


Motor Module and Blade Assembly (continued)

<i>Ref.</i>	<i>Part Number</i>	<i>Qty.</i>	<i>Description</i>	<i>Ref.</i>	<i>Part Number</i>	<i>Qty.</i>	<i>Description</i>
1	138-6660	1	Module-Motor	8	125-2466	1	Bolt-Blade
2	95-1726	3	Screw-Taptite	10	133-8061	1	Decal-Warning
3	104-1007	1	Retainer-Blade	13	147-0586	1	Decal-Flexforce Brushless
6	140-1274-03	1	Blade-21In (Mulch, Hs)	14	147-0587	1	Decal
7	108-3766-03	1	Support-Blade	15	147-0588	1	Decal-Lithium

Motor Module Assembly No. 139-6660

Lower Shroud Assembly

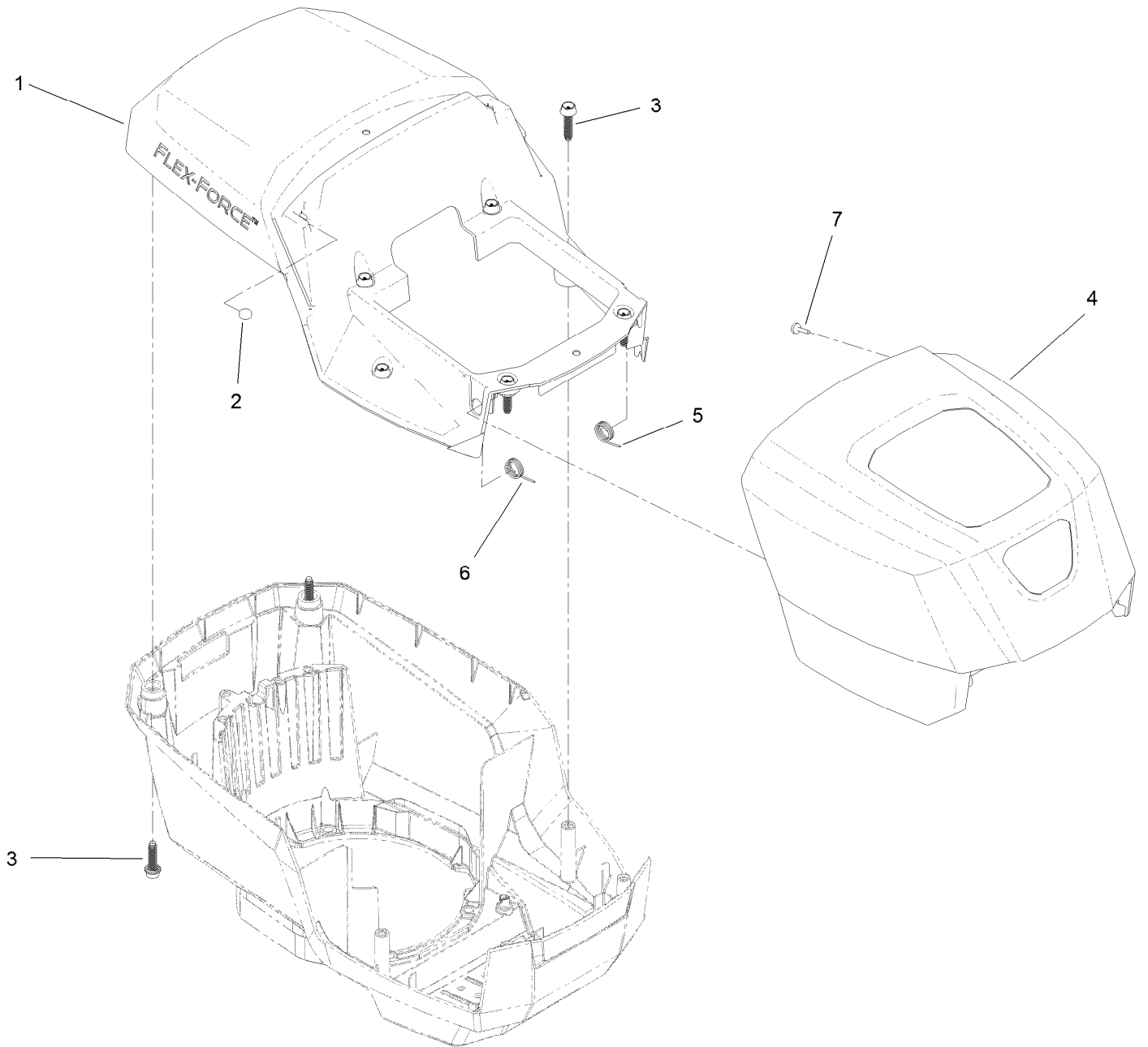


Motor Module Assembly No. 139-6660

Lower Shroud Assembly (continued)

<i>Ref.</i>	<i>Part Number</i>	<i>Qty.</i>	<i>Description</i>	<i>Ref.</i>	<i>Part Number</i>	<i>Qty.</i>	<i>Description</i>
1	139-6628	1	Base-Mount, Motor	10	138-6662	1	Controller-Motor, 60 Volt
2	138-6661	1	Motor, 60 Volt	12	139-6642	4	Screw
3	131-9732	3	Insert-Mount, Motor	13	139-6635	1	Bracket-Foam
4	137-4795	3	Screw	14	138-3273	1	Screw-Plastic, PPH
5	115-7373	4	Nut-Lock	15	139-6636	1	Foam
6	139-6631	1	Shroud-Lower	16	133-1918	1	Bail Switch ASM
7	139-6632	1	Battery Reciever ASM	16:4	145-5800	1	Spring-Extension
8	139-6633	1	Shroud-Motor	17	139-6637	1	Harness-Wire
9	130-6658	6	Screw-Flange, Plastic				

Motor Module Assembly No. 138-6660 Hood and Upper Shroud Assembly

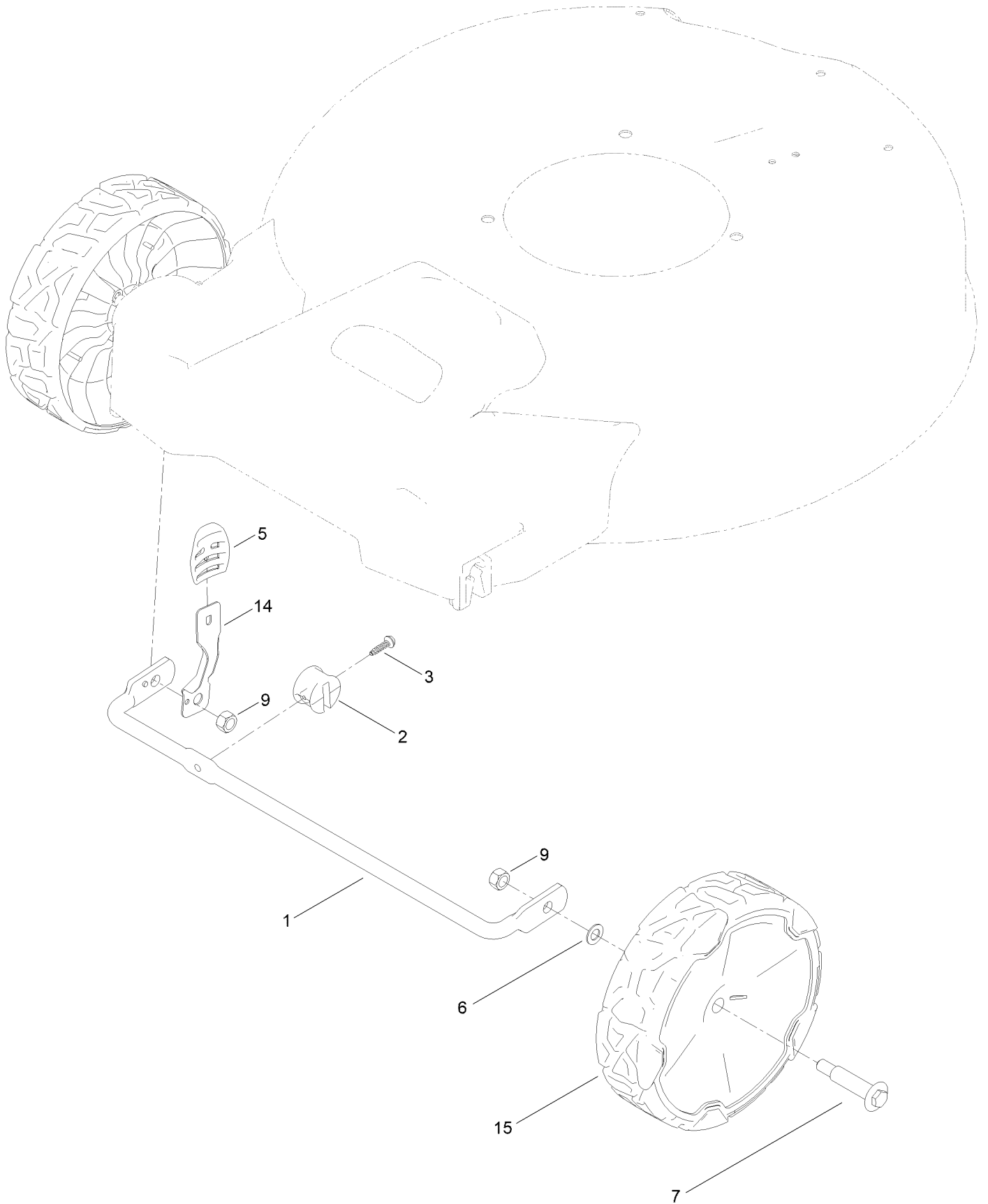


Motor Module Assembly No. 138-6660

Hood and Upper Shroud Assembly (continued)

<i>Ref.</i>	<i>Part Number</i>	<i>Qty.</i>	<i>Description</i>	<i>Ref.</i>	<i>Part Number</i>	<i>Qty.</i>	<i>Description</i>
1	139-6638	1	Shroud-Upper	5	139-6640	1	Spring-LH
2	114-5896	2	Magnet	6	139-6641	1	Spring-RH
3	130-6658	8	Screw-Flange, Plastic	7	95-4234	2	Screw-PPH
4	139-6639	1	Hood				

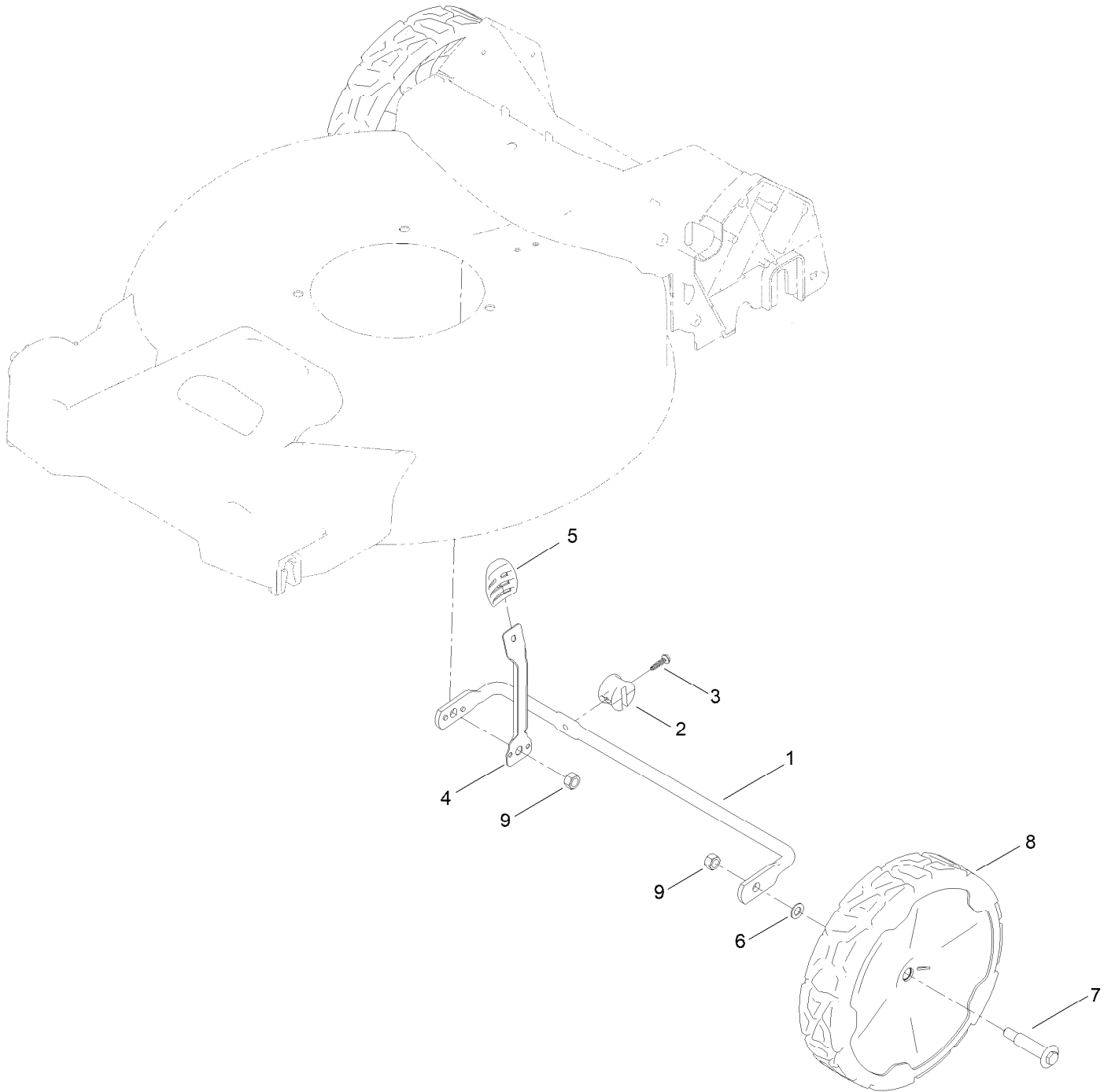
Front Wheel and Height-of-Cut Assembly



Front Wheel and Height-of-Cut Assembly (continued)

<i>Ref.</i>	<i>Part Number</i>	<i>Qty.</i>	<i>Description</i>	<i>Ref.</i>	<i>Part Number</i>	<i>Qty.</i>	<i>Description</i>
1	127-0668-03	1	Axle-Front	7	92-1057	2	Bolt-Shoulder
2	127-6800	1	Stop-Axle	9	603773	2	Nut-Hex Lock
3	127-6831	1	Screw-HWH	14	147-0435	1	Arm-Spring
5	105-3042	1	Knob-Lever, HOC	15	140-2355	2	ASM-8" Wheel, Idler
6	40-1940	2	Washer				

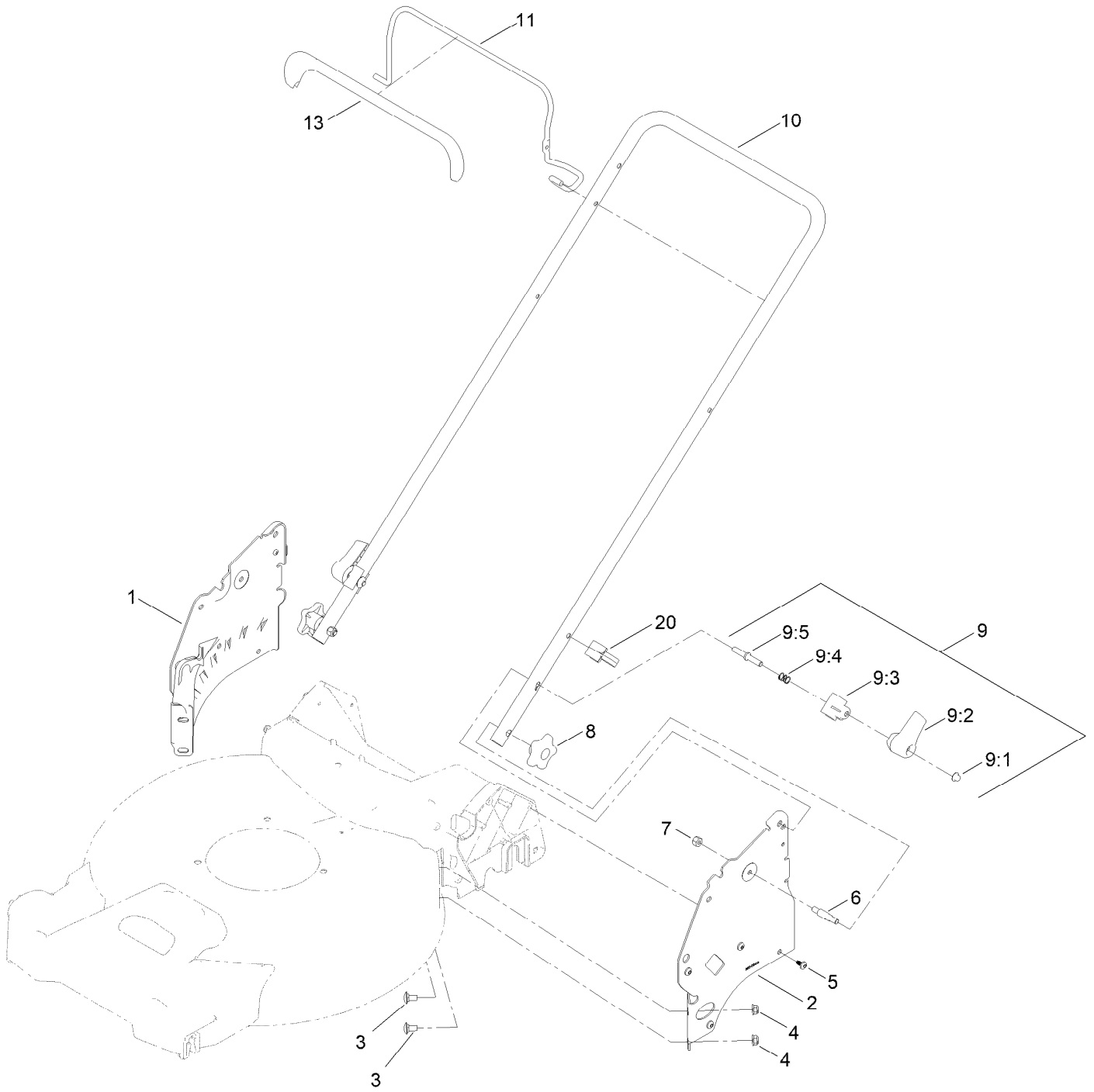
Rear Wheel and Height-of-Cut Assembly



Rear Wheel and Height-of-Cut Assembly (continued)

<i>Ref.</i>	<i>Part Number</i>	<i>Qty.</i>	<i>Description</i>	<i>Ref.</i>	<i>Part Number</i>	<i>Qty.</i>	<i>Description</i>
1	127-0669-03	1	Axle-Rear	6	40-1940	2	Washer
2	127-6800	1	Stop-Axle	7	92-1057	2	Bolt-Shoulder
3	127-6831	1	Screw-HWH	8	140-2351	2	ASM-9.65" Wheel, Bushings
4	147-0436	1	Arm-Spring, HP	9	603773	2	Nut-Hex Lock
5	105-3042	1	Knob-Lever, HOC				

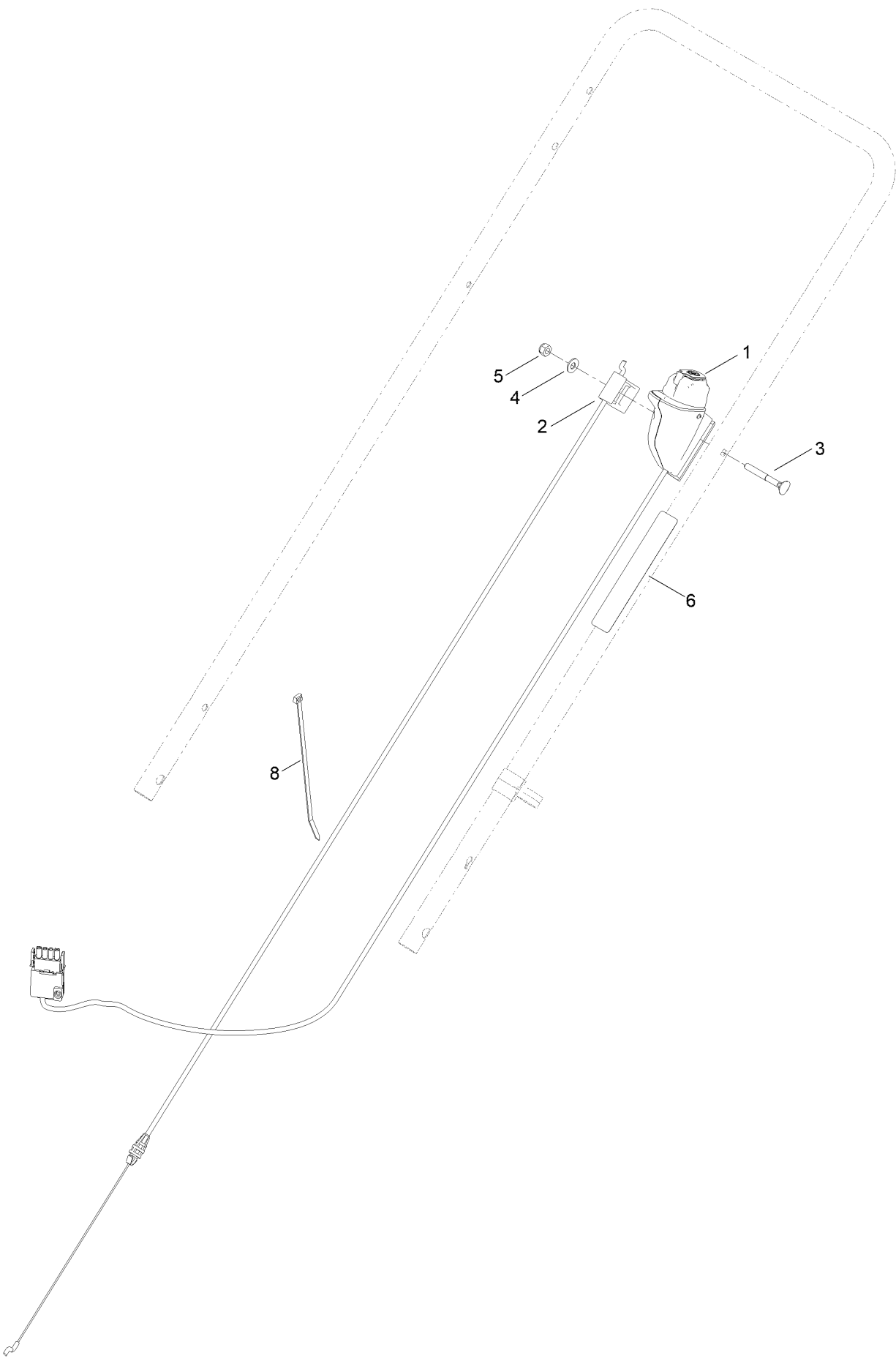
Handle Assembly



Handle Assembly (continued)

<i>Ref.</i>	<i>Part Number</i>	<i>Qty.</i>	<i>Description</i>	<i>Ref.</i>	<i>Part Number</i>	<i>Qty.</i>	<i>Description</i>
1	145-5507-05	1	Plate-Handle, RH	9:1	140-4157	1	Nut-Push
2	145-5508-05	1	Plate-Handle, LH	9:2	138-3248	1	Lever-Release
3	3230-18	4	Screw-CARR	9:3	138-3253	1	Anchor-Spring
4	130-6655	4	Nut-Flange, NI	9:4	115-2858	1	Spring-Compression
5	139-1679	8	Screw-Plastic,PH	9:5	140-4158	1	Rod-Release
6	139-6588	2	Bolt-Shoulder, Handle	10	145-5509-05	1	Handle-Upper
7	3296-29	2	Nut-Lock, NI	11	138-3270-03	1	Bail-Brake
8	117-5976	2	Knob-Handle	13	137-4797	1	Cover-Bail
9	138-3249	2	Quick Release ASM	20	114-7988	1	Guide-Cable

Starter Assembly



Starter Assembly (continued)

<i>Ref.</i>	<i>Part Number</i>	<i>Qty.</i>	<i>Description</i>	<i>Ref.</i>	<i>Part Number</i>	<i>Qty.</i>	<i>Description</i>
1	133-8140	1	Starter Switch ASM	5	3296-73	1	Nut-Lock, NI
2	147-0444	1	Cable - Brake	6	144-3175	1	Decal-Controls (60V Start)
3	92-2269	1	Screw-Handle	8	614249	1	Tie-Cable
4	3256-1	1	Washer-Flat				

Attachments and Accessories

For 21323 Flex-Force Power System 60V MAX 21in Recycler Lawn Mower

Product Name	Model/Part
SD Chute Kit	147-0520
Smart Stow Walk Power Mower Cover	490-2012
Lawn Striping Kit with 22in Roller.....	20601
Bag-Walk Behind (Toro).....	490-7318
60V LI-ION, Battery 4.0 AH	88640
60V LI-ION Battery 5.0 AH.....	88650
60V LI-ION Battery 6.0 AH.....	88660
60V LI-ION Battery 7.5 AH.....	88675
60V Battery Charger 2 AMP	88602
60V Rapid Battery Charger 5.4 AMP	88605
60V Cordless Blower (Bare Tool).....	51820T
60V Cordless Trimmer (Bare Tool).....	51830T
60v 24in Max Hedge Trimmer (Bare Tool).....	51840T
16in 60V Max Chainsaw (Bare Tool).....	51850T
Power Clear 21in 60V Cordless (Bare Tool).....	39901T

Notes:



Count on it.