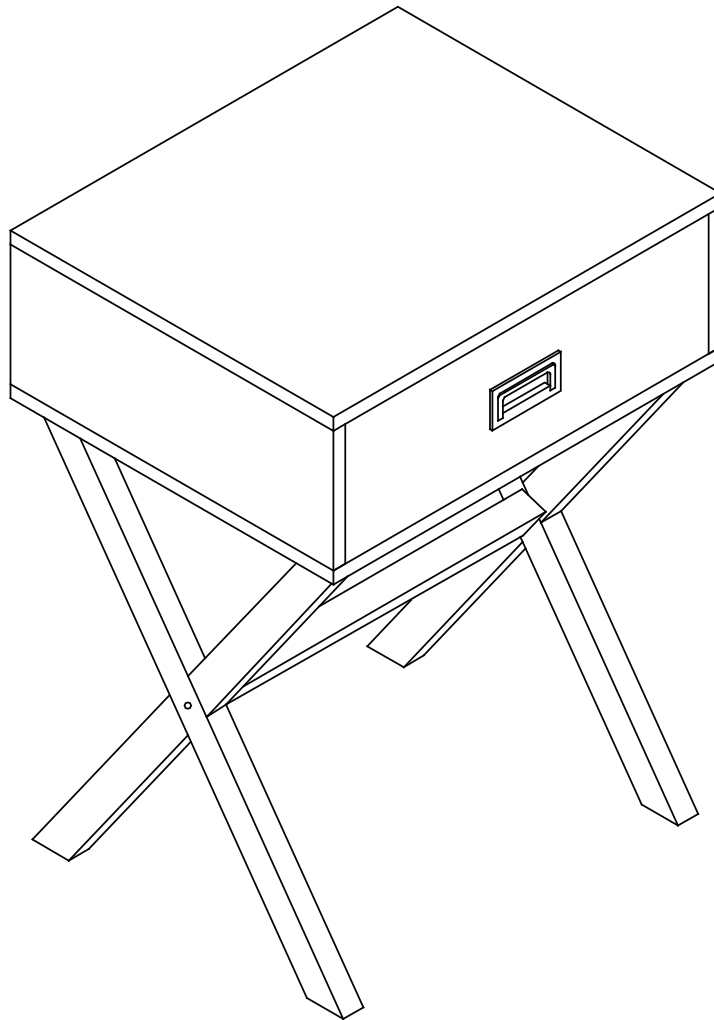


Assembly Instruction X Leg End Table



Carefully unpack and identify each component before beginning assembly. Before you begin, please refer to parts list to make sure that you have all parts. Please take care when assembling the unit and always place the parts on a clean, soft surface. If you require assistance with assembly or parts, please call 888-357-7263.

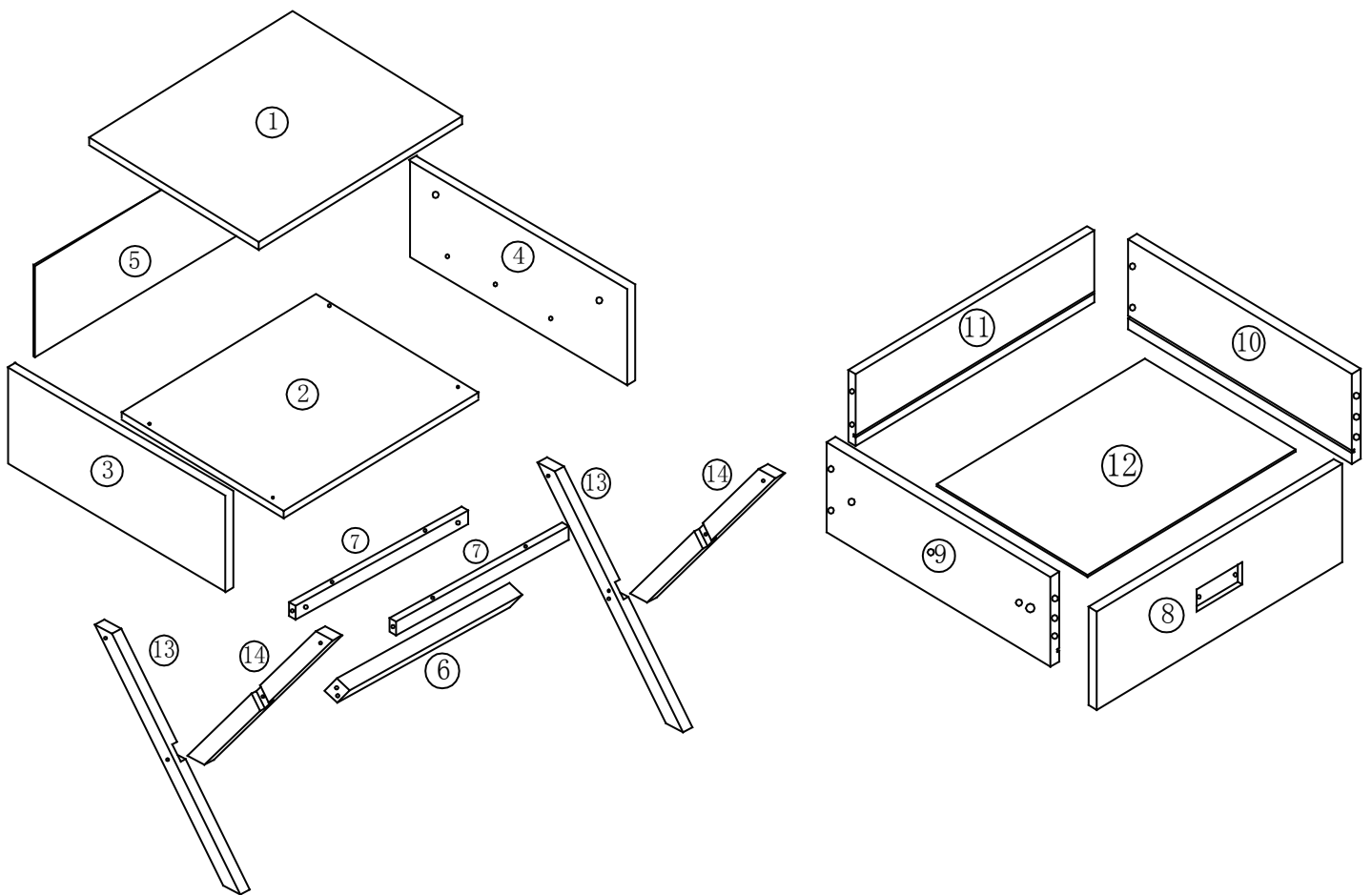
Get social with us and discover more about our products, tips and exclusive discounts!



PRE-ASSEMBLY PREPARATION

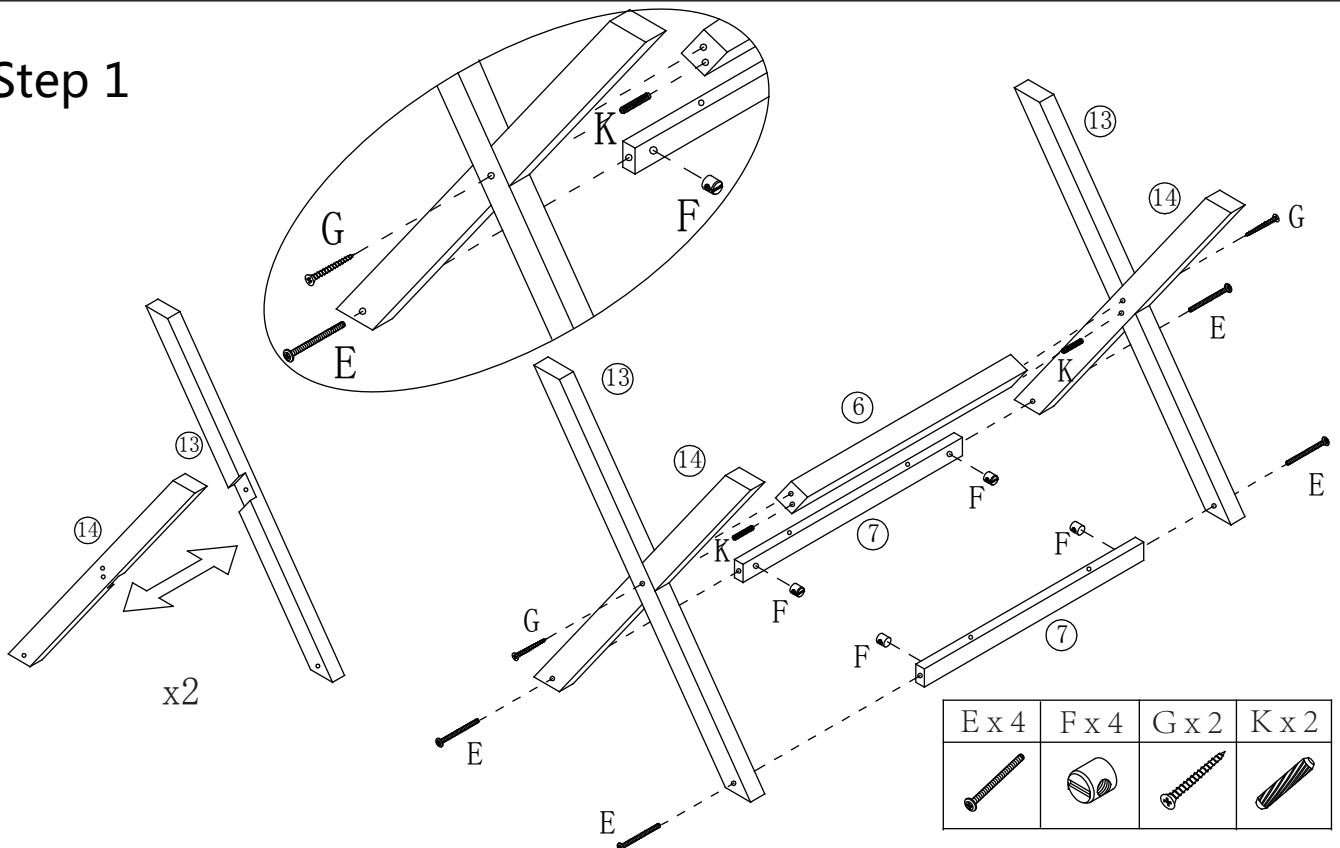
- **CAUTION:** Assemble on soft surface to prevent product finish from any damage. DO NOT use power tools.
- **CARE AND CLEANING:** DO NOT scratch or chip the finish. DO NOT use abrasive chemicals for cleaning. Clean with mild soap on a soft rag. Rinse and dry thoroughly.
- **MAINTENANCE:** Check bolts/screws periodically and tighten if necessary.
- **WARNING:** DO NOT USE If this product become damaged, and/or components are broken or missing.
- **REMINDER:** Please DO NOT fully tighten all bolts until metal frame assembly is complete.

Explosive View

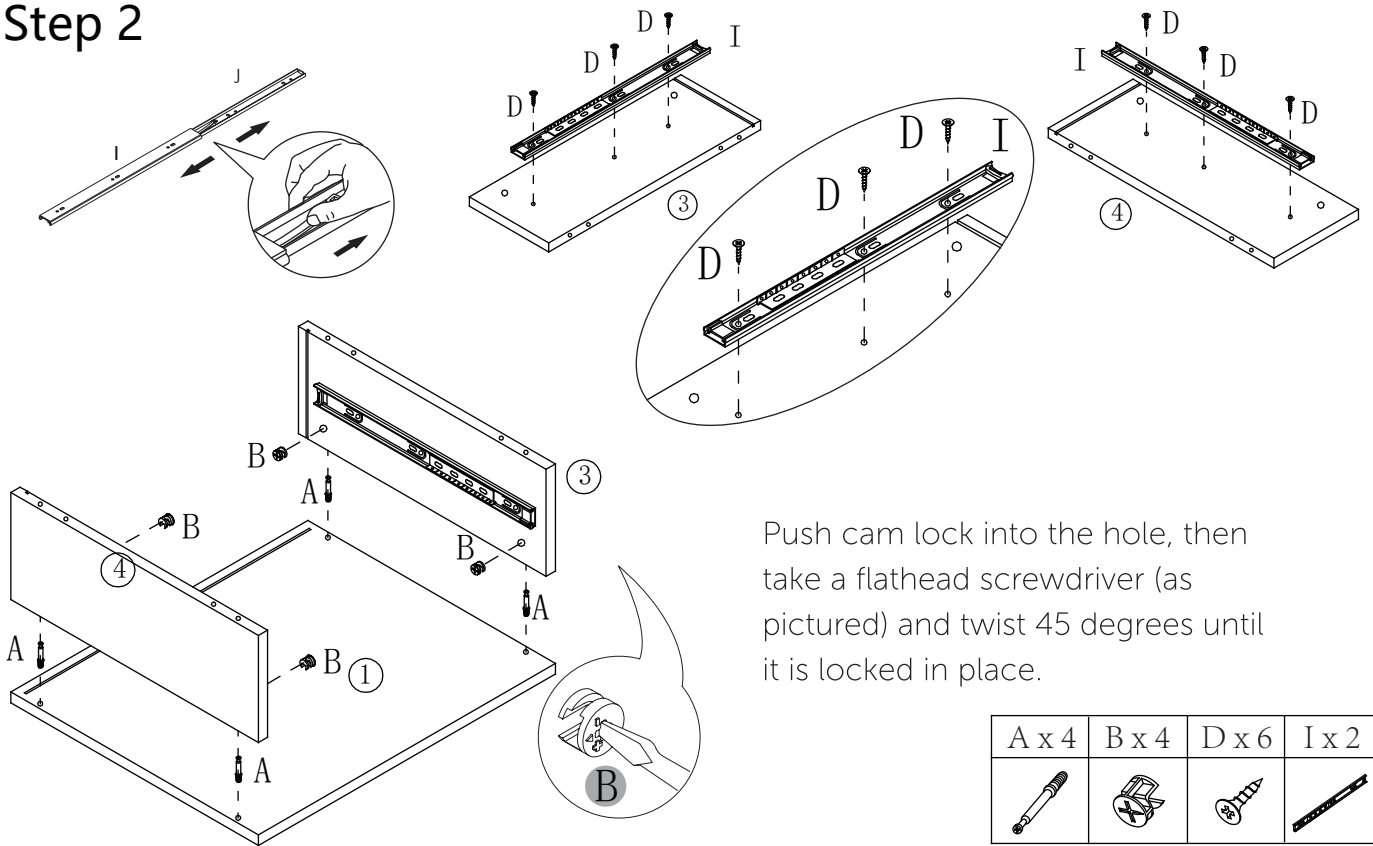


1 1pc	2 1pc	3 1pc	4 1pc	5 1pc	6 1pc
7 2pcs	8 1pc	9 1pc	10 1pc	11 1pc	12 1pc
13 2pcs	14 2pcs				
A 6pcs	B 6pcs	C 12pcs	D 12pcs	E 4pcs	F 4pcs
G 2pcs	H 1pc	I 2pcs	J 2pcs	K 14pcs	L 2pcs
M 4pcs	N 4pcs	O 4pcs			

Step 1

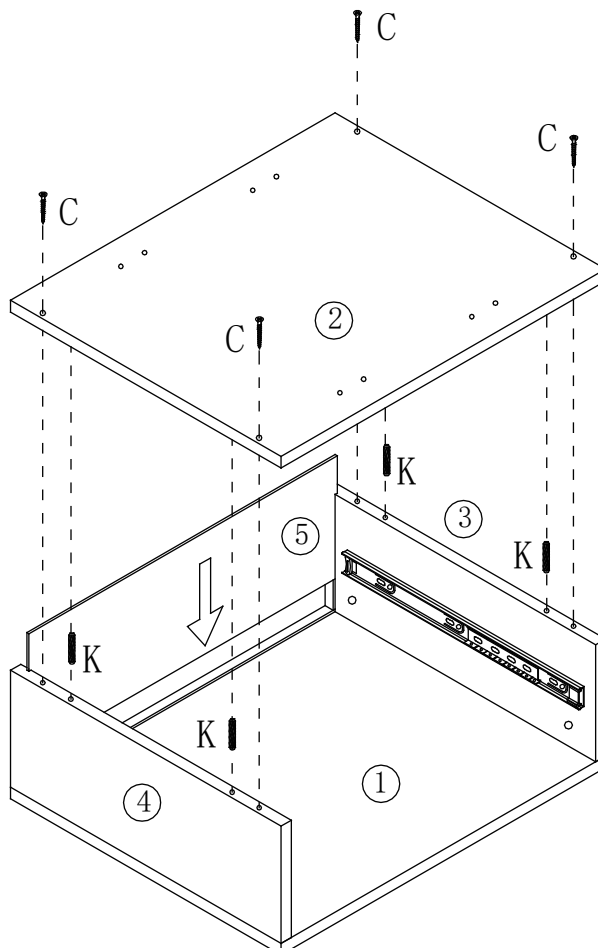


Step 2






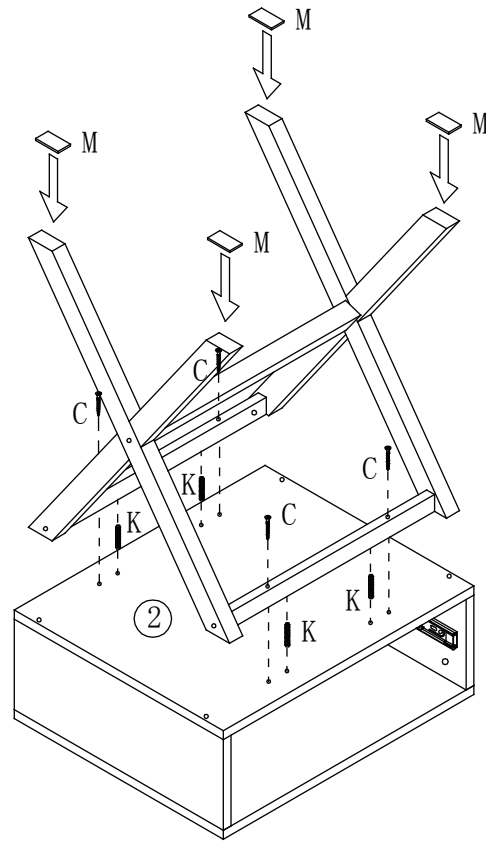
Step 3

C x 4	K x 4

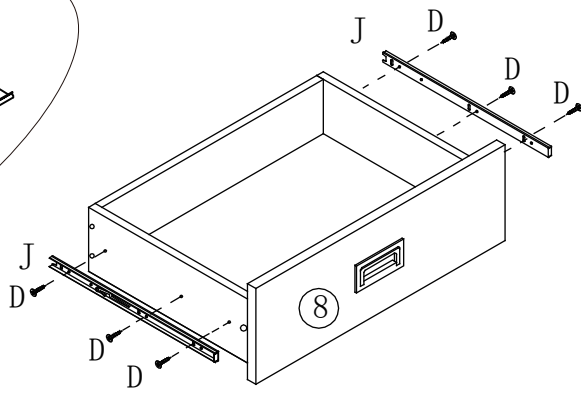
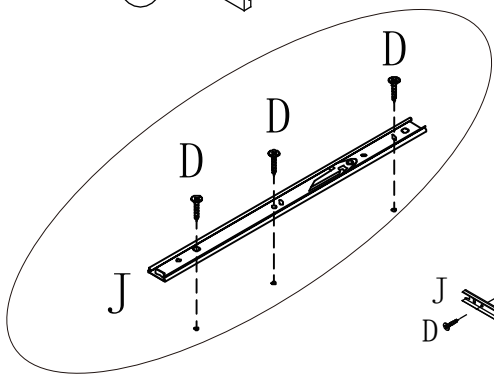
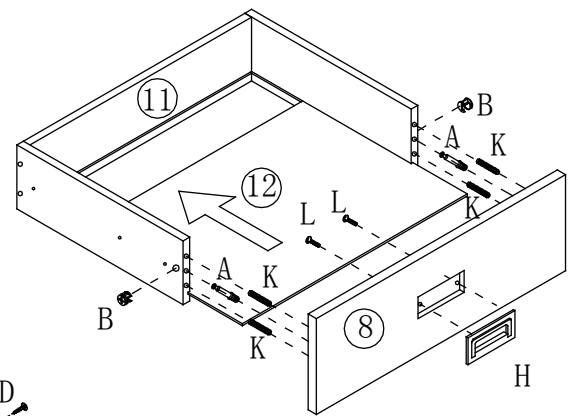
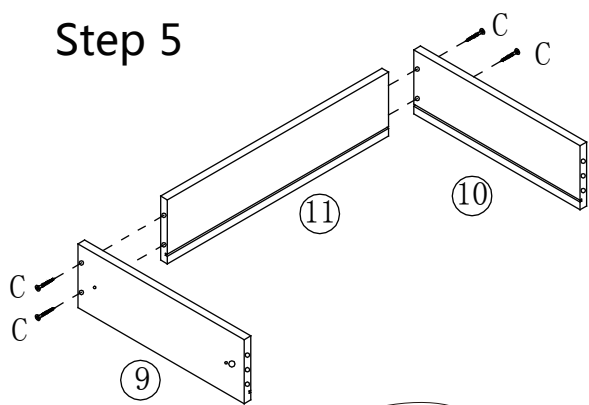










Step 4

C x 4	K x 4	M x 4
		

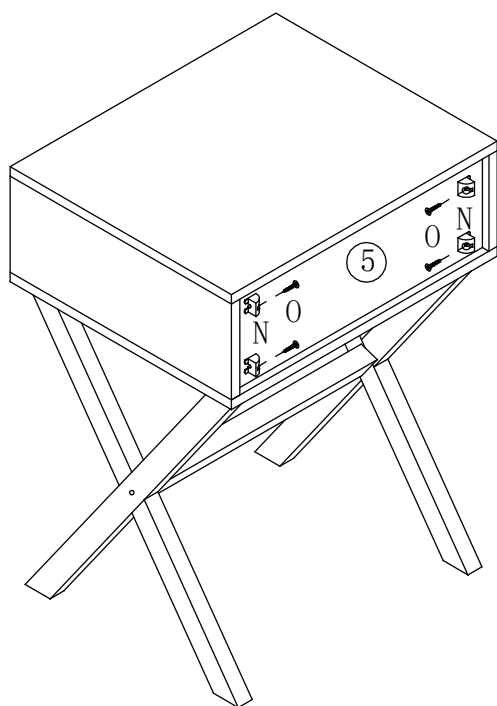




Step 5



A x 2	B x 2	C x 4	D x 6	H x 1	J x 2	K x 4	L x 2
							

Step 6



N x 4	O x 4
	

Step 7

