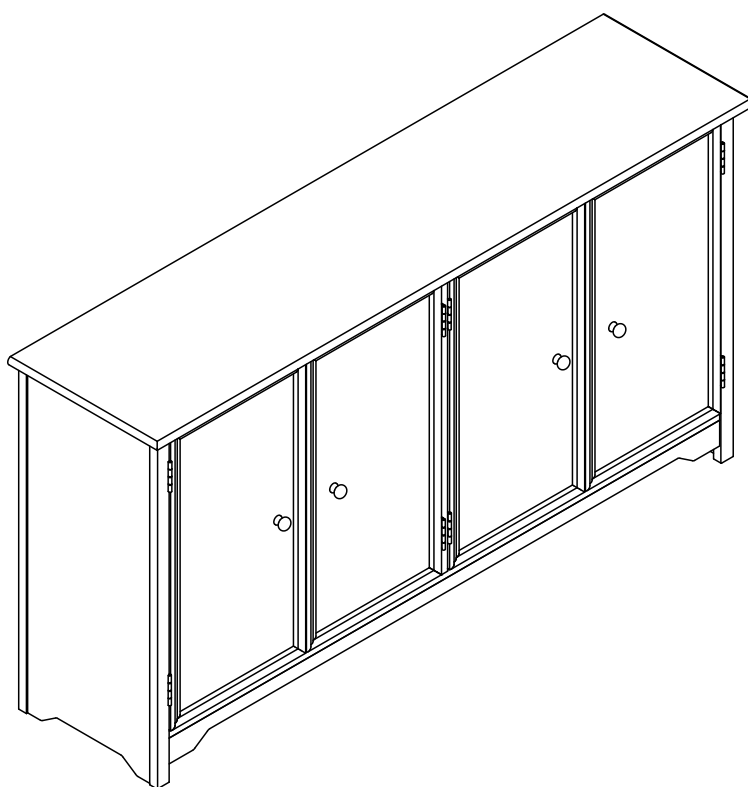


## USE AND CARE GUIDE

---

### BRADSTONE 4 DOOR STORAGE CONSOLE



Questions, problems, missing parts? Before returning to the store,  
call Home Decorators Collection Customer Service.  
8 a.m. - 7 p.m., EST, Monday - Friday, 9 a.m. - 6 p.m., EST, Saturday

1-800-986-3460

[HOMEDEPOT.COM/HOMEDECORATORS](http://HOMEDEPOT.COM/HOMEDECORATORS)

---

#### **THANK YOU**

*We appreciate the trust and confidence you have placed in Home Decorators Collection through the purchase of this Bradstone 4 Door Storage Console. We strive to continually create quality products designed to enhance your home. Visit us online to see our full line of products available for your home improvement needs. Thank you for choosing Home Decorators Collection!*

# Table of Contents

<b>Table of Contents</b> .....	<b>2</b>	<b>Pre-assembly (continued)</b> .....	<b>4</b>
<b>Safety Information</b> .....	<b>2</b>	Package Contents.....	4
<b>Pre-assembly</b> .....	<b>3</b>	<b>Notification</b> .....	<b>5</b>
Planning Assembly.....	3	<b>Assembly</b> .....	<b>6-11</b>
Tools Required.....	3	<b>Maintenance</b> .....	<b>12</b>
Hardware Included.....	3	<b>Care and Cleaning</b> .....	<b>12</b>
		<b>Troubleshooting</b> .....	<b>12</b>

## Safety Information



### DANGER

- Keep small parts away from children during assembly.
- Read and follow instructions carefully.



### WARNING

- Read these instructions carefully and keep in a safe place.
- TO GUARANTEE THE SAFE USE OF THIS PRODUCT, FOLLOW THE WARNINGS, GUIDELINES AND RECOMMENDATIONS IN THIS MANUAL.
- Adult assembly required.
- Small parts may present choking hazard prior to assembly.
- Do not stand, step or climb on unit.



### CAUTION

- Do not use power tools to assemble your item.
- Power tools may strip or damage parts/product.
- Do not over tighten connectors (screws, bolts, etc.)  
Overtightening can lead to product damage.
- Be sure to check all packing materials carefully for small parts that may have come loose inside the carton during shipment. If parts are missing, contact THE HOME DEPOT to obtain any missing parts.
- DO NOT USE SUBSTITUTE PARTS.
- This product should only be used on a flat, level surface.
- Assembly requires 2 people; assembly alone may cause injury.

## Warranty

### 3 YEARS WARRANTY

#### WHAT IS COVERED

We guarantee this product to be free of manufacturing defects to the original purchaser for three years.

#### WHAT IS NOT COVERED

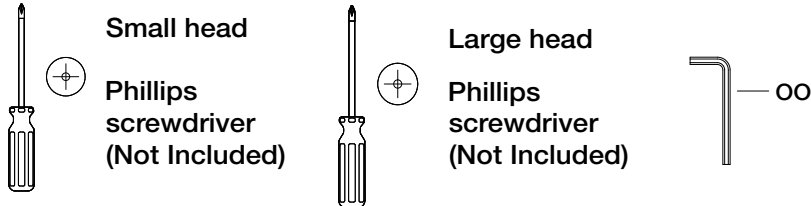
This warranty does not cover commercial use, acts of nature, and abusive use.

# Pre-assembly

## PLANNING ASSEMBLY

Keep children and pets away from build area. Make sure your area is large enough to unpack, sort and assemble the unit.

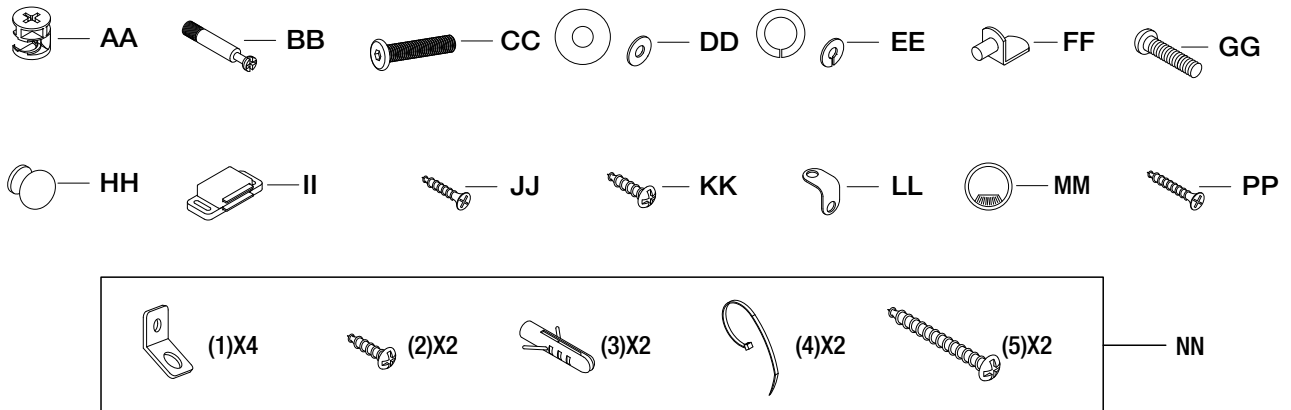
## TOOLS REQUIRED



## HARDWARE INCLUDED



NOTE: Hardware not shown to actual size.

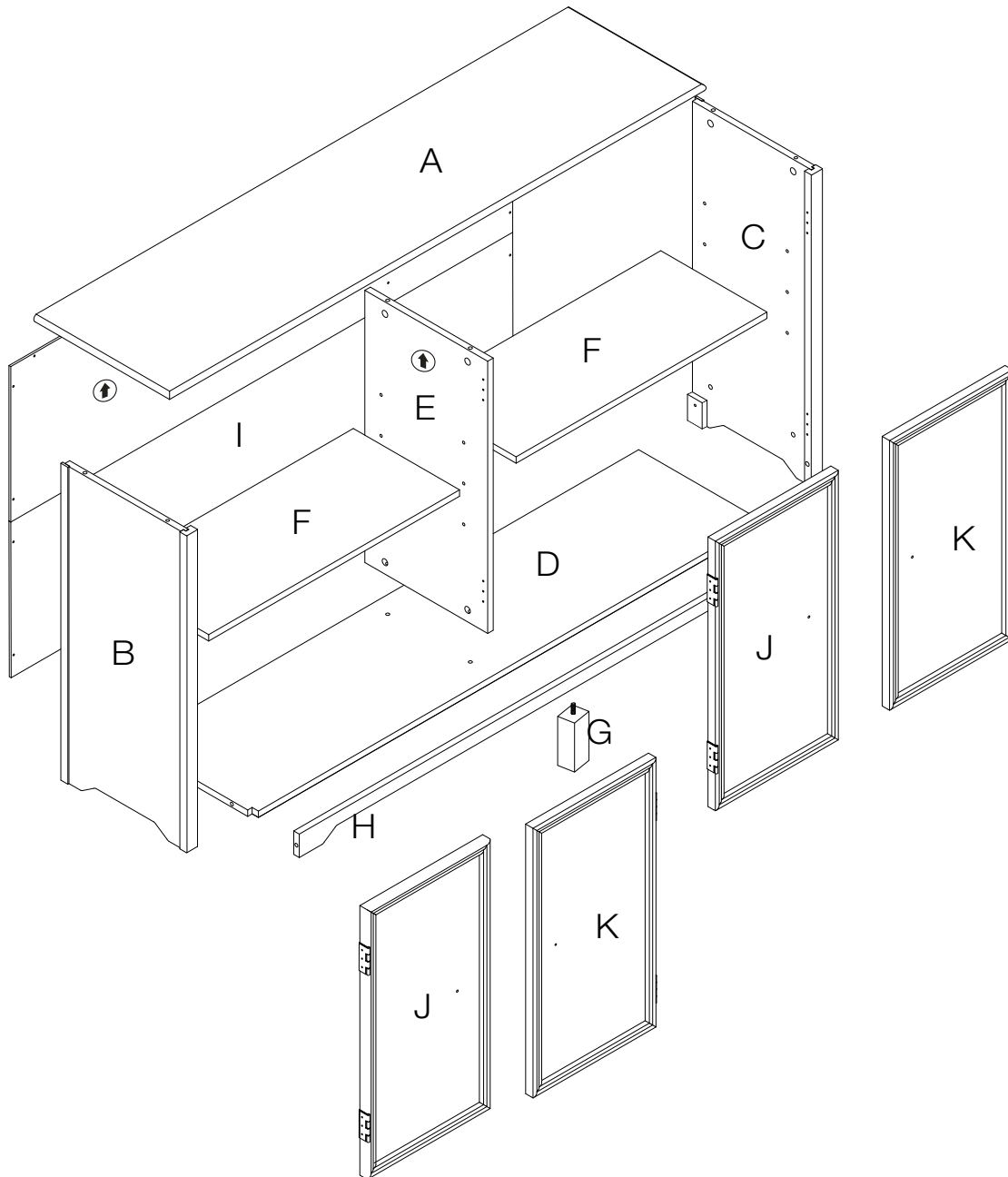


Part	Description	Quantity
AA	Cam lock	14+2
BB	Cam lock bolt	14+2
CC	Hexagon socket bolt	8
DD	Flat gasket	8
EE	Spring washer	8
FF	Layer shelf support	8
GG	Cross round head bolt	4
HH	Handle	4

Part	Description	Quantity
II	Magnetic clamp	4
JJ	Flat head screw (Ø6x12mm)	24+2
KK	Round head screw	25+2
LL	L shaped bracket	4
MM	Thread hole cover	2
NN	Anti-tipping hardware package	1
OO	Socket head screw wrench	1
PP	Flat head screw(Ø6x16mm)	8

# Pre-assembly (continued)

## PACKAGE CONTENTS

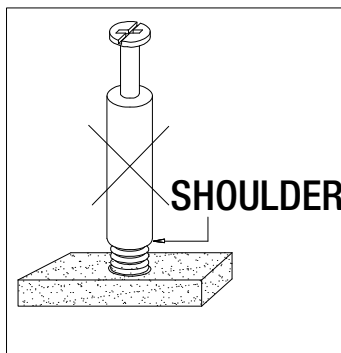
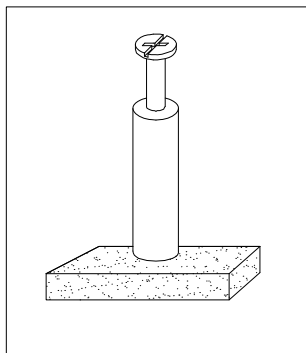


Part	Description	Quantity
A	Top panel	1
B	Left side panel	1
C	Right side panel	1
D	Bottom Board	1
E	Middle side panel	1
F	Shelf	2
G	Middle leg	1

Part	Description	Quantity
H	Front dam board	1
I	Back panel	1
J	Left door panel	2
K	Right door panel	2

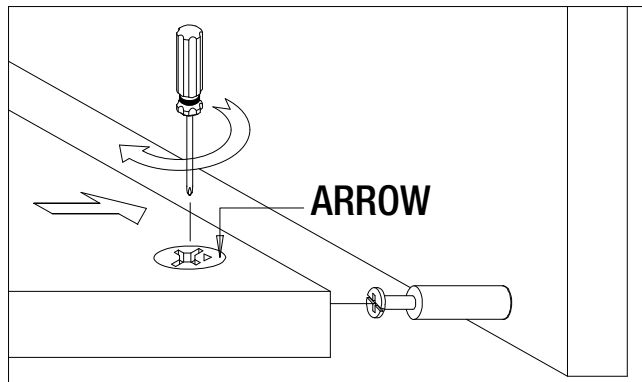
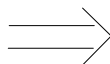
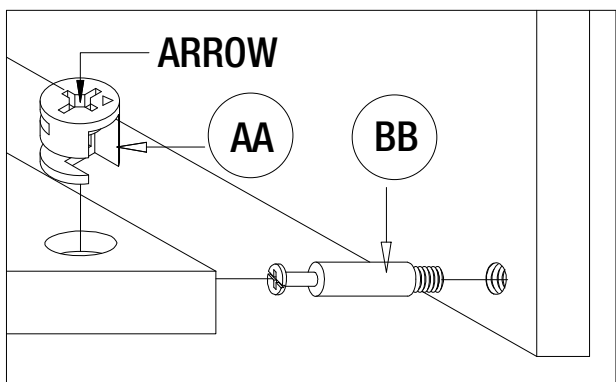
# Notification

NOTE: UPON OPENING THOROUGHLY CLEAN ALL WOODS SURFACES TO REMOVE DUST AND DIRT THAT MAY HAVE SETTLED ONTO FINISH DURING SHIPMENT. IN ORDER TO PREVENT DAMAGE DURING ASSEMBLY, PLEASE ASSEMBLE THIS ITEM WITH AT LEAST TWO PEOPLE.



NOTE: TURN THE CAM-BOLT SCREWS UNTIL THEY ARE TIGHT, THE SHOULDER SHOULD BE AGAINST THE SURFACE OF THE PART.

## HOW TO USE THE CAM TOOL

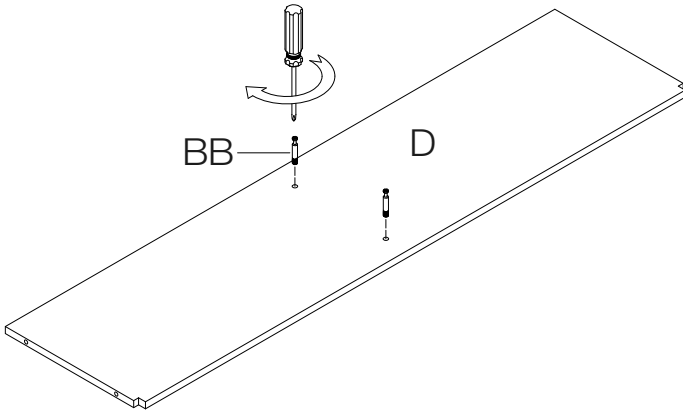


● NOTE: THE ARROWS ON THE HIDDEN CAM-LOCKS SHOULD POINT TO THE CAM-BOLTS.

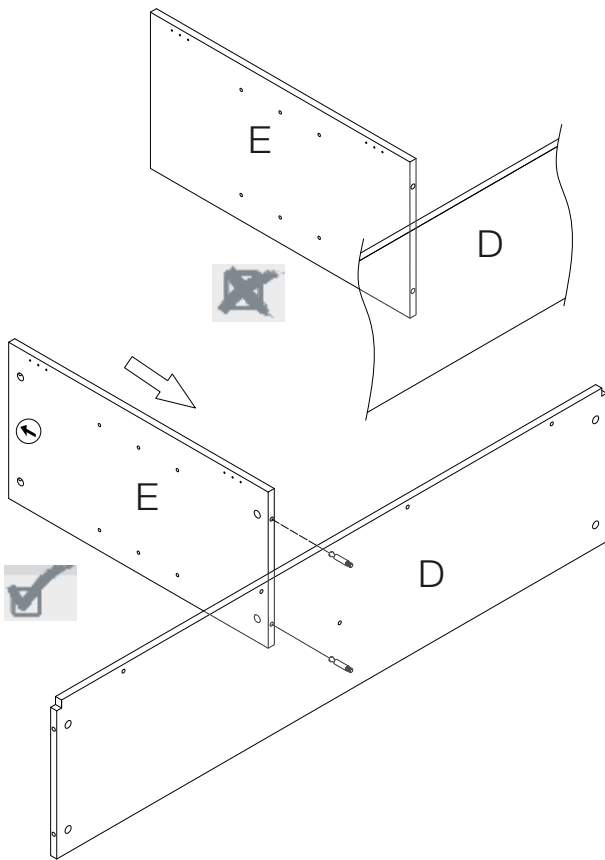
# Assembly

## 1 Connect Panels (E & D) and middle leg(G)

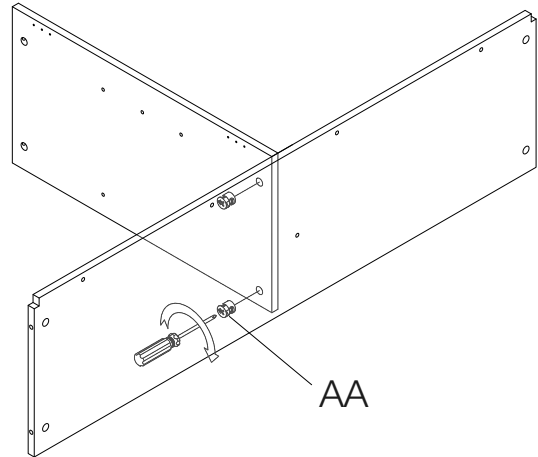
- a) Insert cam lock bolt (BB) to Bottom board(D)



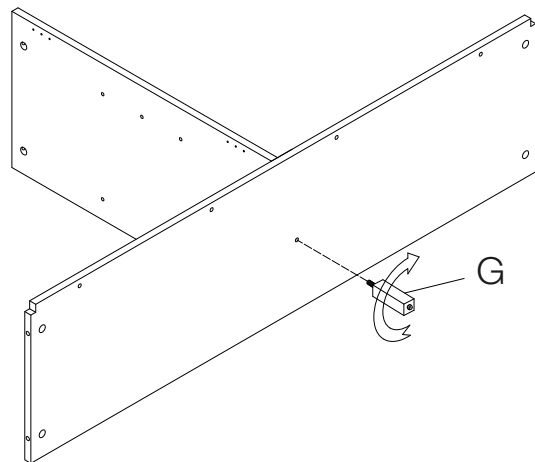
- b) Align and join cam lock bolt(BB) on middle side panel(E), please kindly be attention the direction of middle side panel(E).



- C) Fix cam lock(AA) on middle side panel(E)



- d) Assemble middle leg (G)



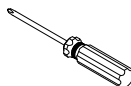
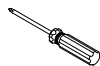
Cam lock Cam lock bolt

(AA)x2

(BB)x2

Small head

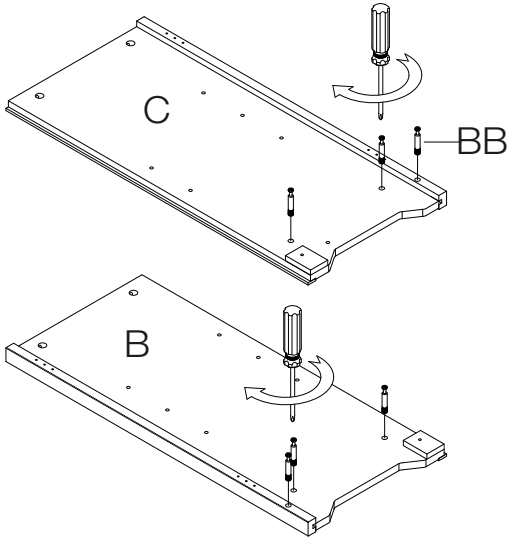
Large head



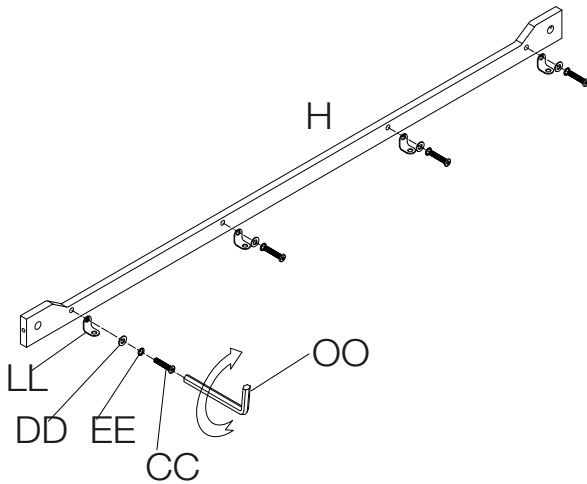
# Assembly

## 2 Assemble side panel (B/C)

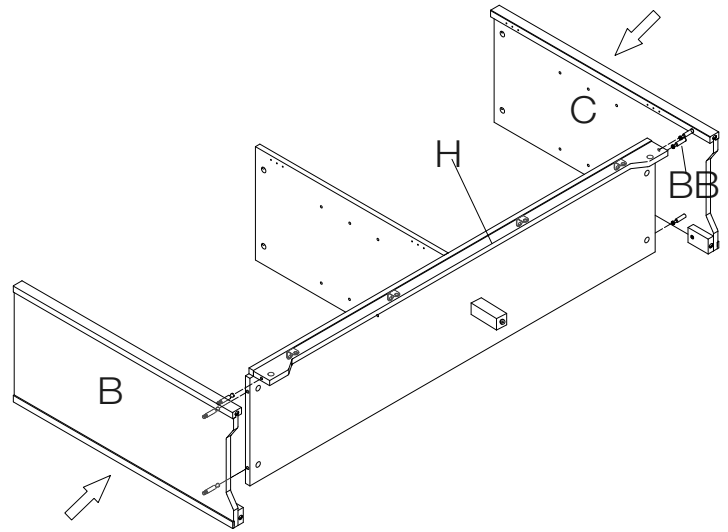
- a) Insert cam lock bolt (BB) to side panels(B/C)



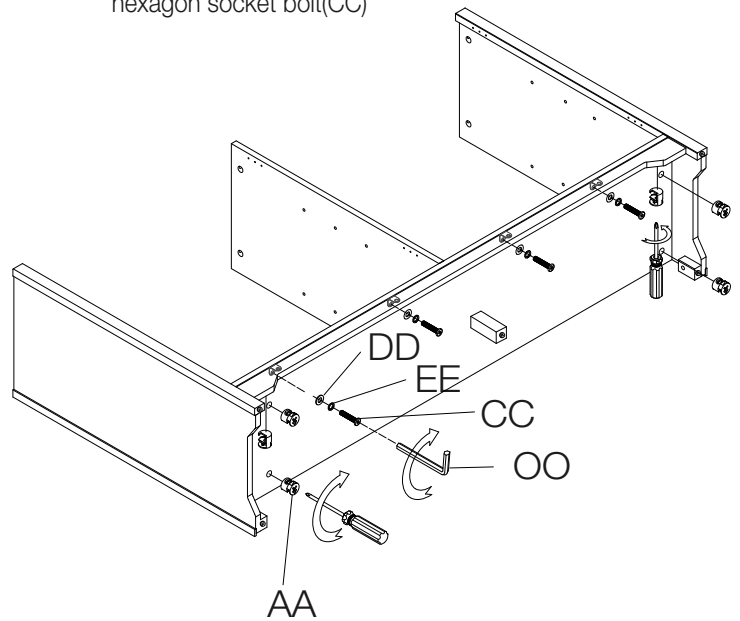
- b) Semi-fixed hexagon socket bolt(CC), spring washer(EE), flat gasket(DD), L shaped bracket(LL) to the front dam board (H)



- c) Align front dam board (H) to the bottom board(D) and connect with side board (B/C)



- d) Join cam lock to side pannels(B/C), and tighten hexagon socket bolt(CC)

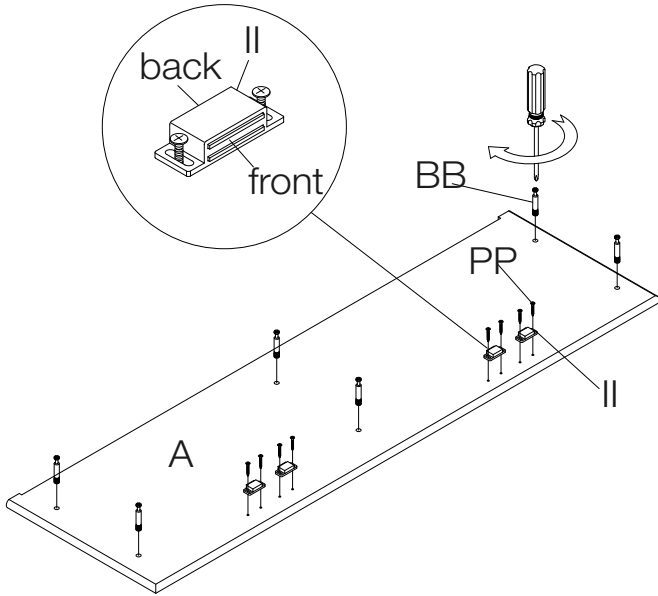


Cam lock	Cam lock bolt	L shaped bracket	Hexagon socket bolt	Flat gasket	Spring washer	Socket head screw wrench	Small head	Large head
(AA)x6	(BB)x6	(LL) x4	(CC) x 8	(DD) x 8	(EE) x 8	(OOx 1)		

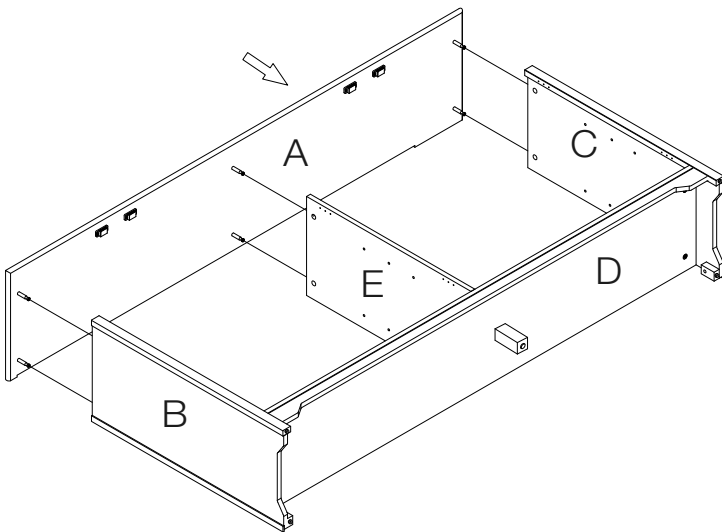
# Assembly

## 3 Assemble Top panel (A)

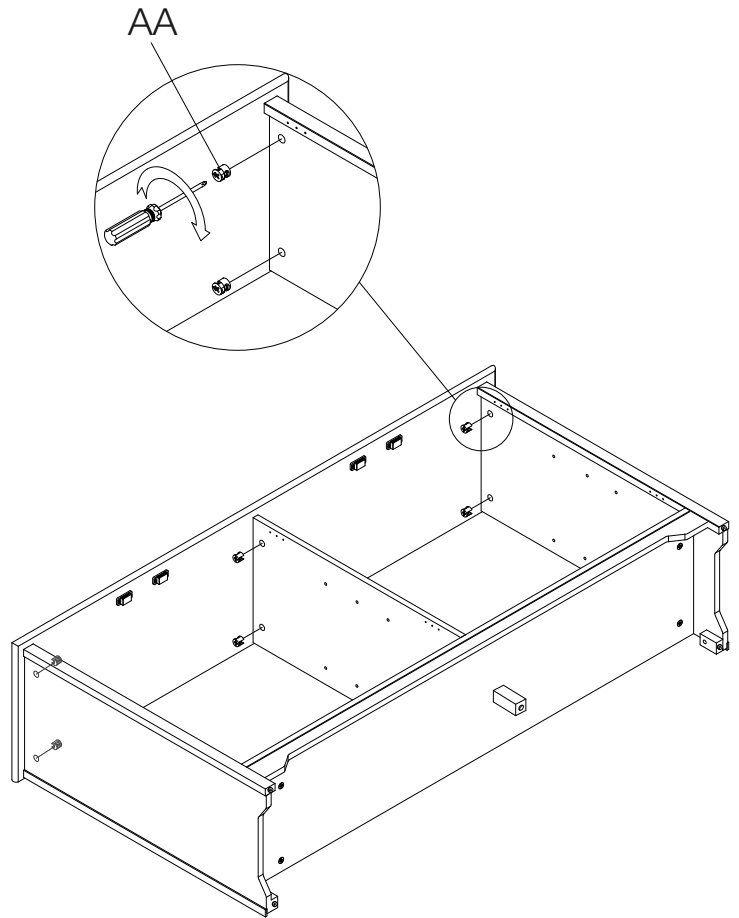
- a) Join cam lock bolt (BB) to magnetic clam (II) on top panel(A)



- b) Align and join side panels(B/C) & middle side panel(E) with top panel(A)



- C) Tighten cam lock(AA) on side panels(B/C) and middle side panels(E)



Cam lock    Cam lock bolt    Magnetic clam    Flat head screw

(AA)x6

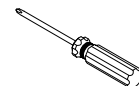
(BB)x6

(II)x4

(PP)x8

Small head

Large head

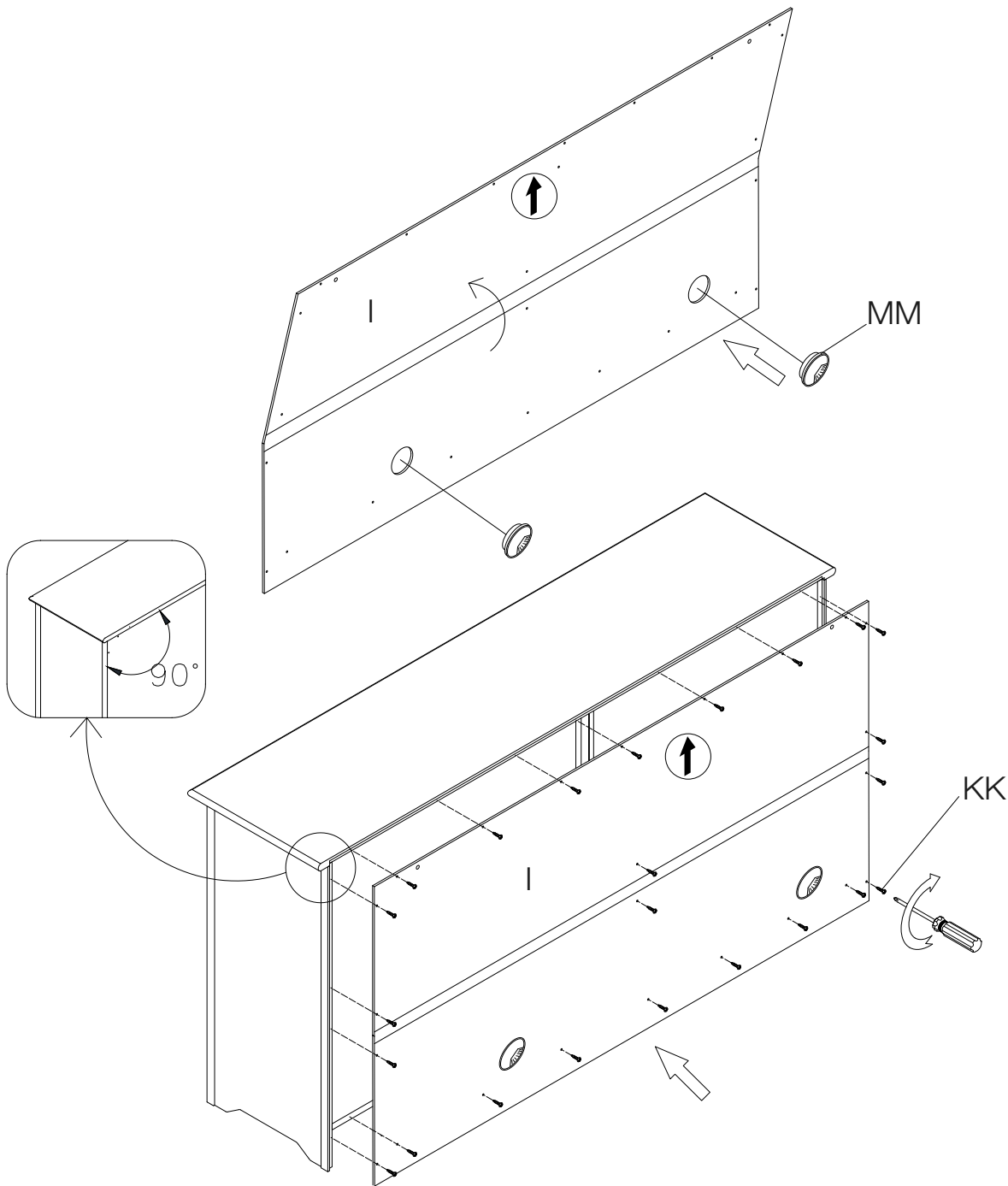




# Assembly

## 4 Assemble back panel

- a) Open back panel(I) and adjust it as arrows. Put thread hole cover(MM) to the thread hole, and fix it with round head screw(KK)



Round head screw    Thread hole cover

(KK)x25

(MM)x 2

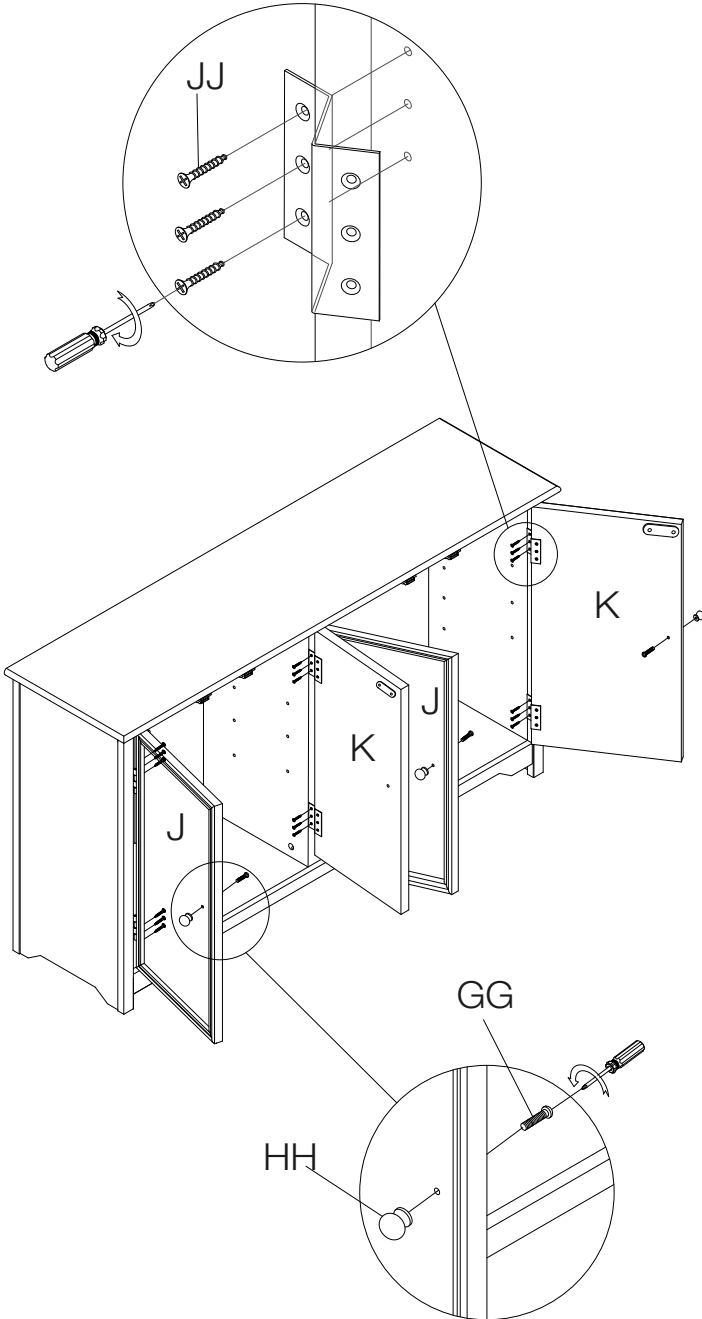
Small head



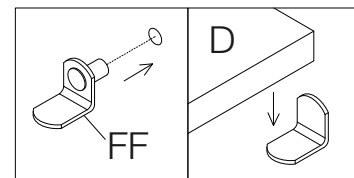
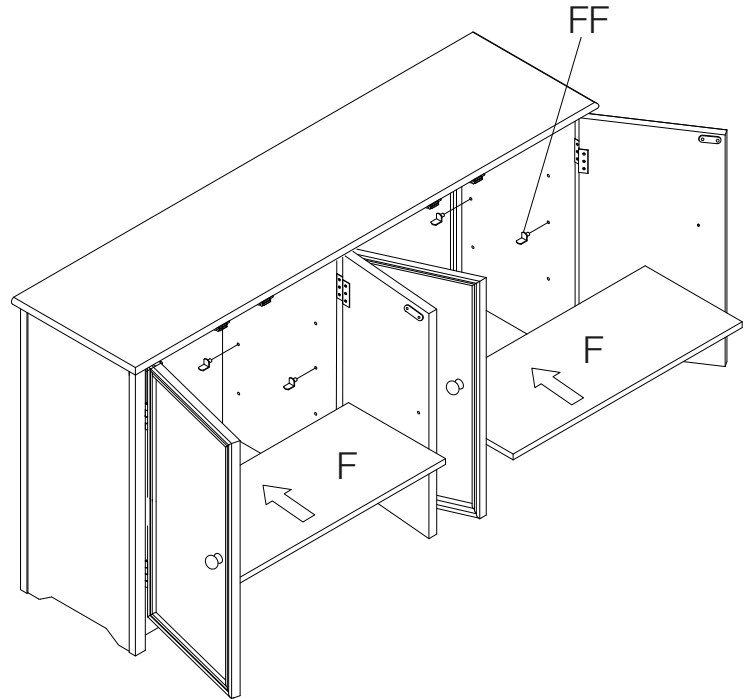
# Assembly

## 5 Assemble door panels(J/K) and shelf (F)

- a) Fix hinge on side panels(B/C)and middle side board(E) with flat head screw(JJ). Then join hanle(HH)with cross round head screw(GG)on each door



- b)Join layer shelf support(FF) on inner of side panels(B/ C) and middle side panel(E),and put shelf (F) as folowing graphic.



Layer shelf support

(FF)x8



Cross round head bolt

(GG)x4



Handle

(HH)x4

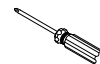


Flat head screw

(JJ)x24



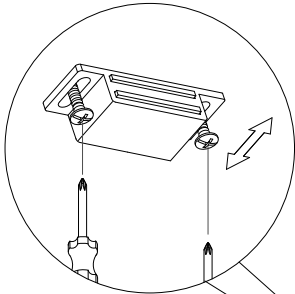
Small head



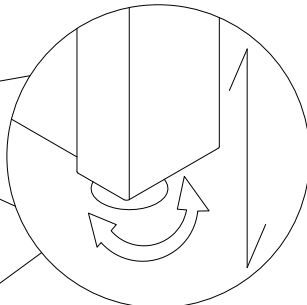
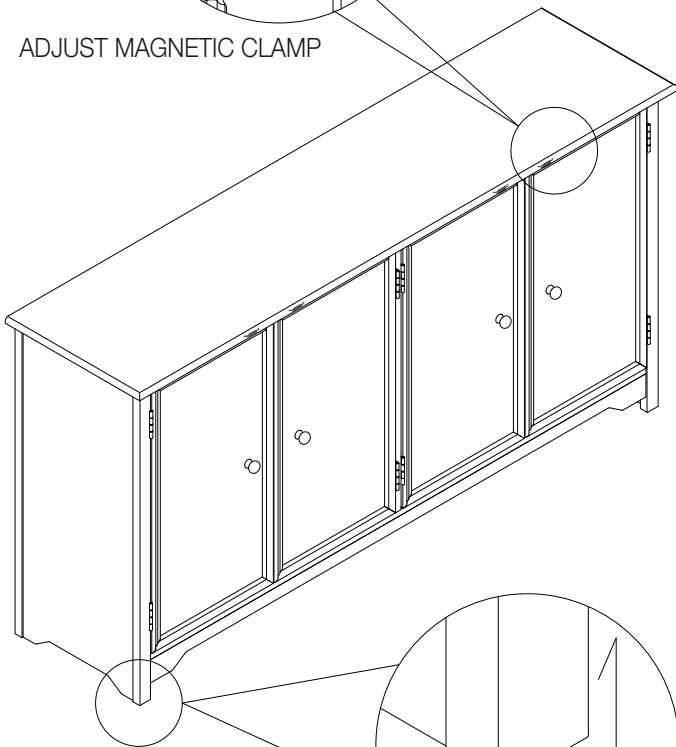
# Assembly

## 6 Adjust door panels(J/K) and assemble anti-tipping hardware package(NN)

- a) Adjust door panels

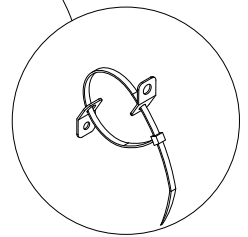
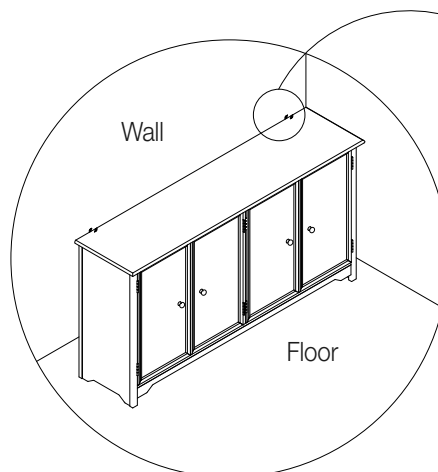
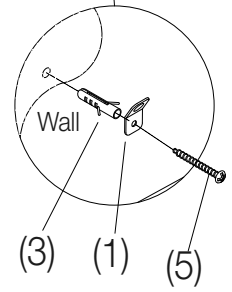
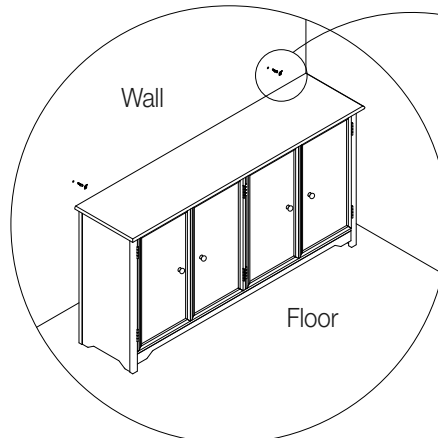
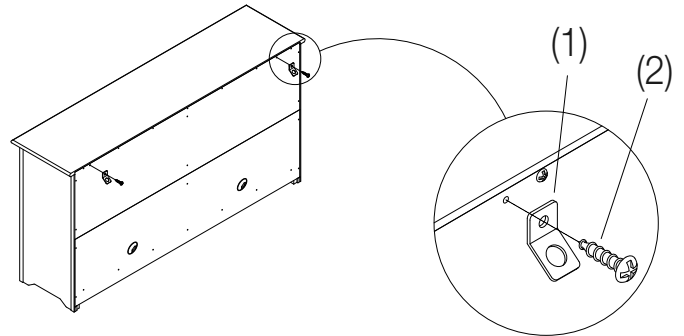


ADJUST MAGNETIC CLAMP



IF THE GROUND IS NOT EVEN THE SIDEBOARD WILL BE UNSTABLE OR THE DOORS UNSYMMETRICAL, YOU CAN ADJUST THE FOOT LEVELER UNDER THE LEG. TURN LEFT TO TIGHTEN, TURN RIGHT TO LOOSEN.

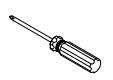
- b) Join rectangle metal plate(1) with round head screw(2) on back of panel; Join rectangle metal plate(1) and plastic anchor(3) with round head screw(5) on the wall; then tighten with plastic band(4)



Rectangle metal plate	0.63 in.Round head screw	Plastic anchor	Plastic band	1.97 in.Round head screw
(1)X4	(2)X2	(3)X2	(4)X2	(5)X2

Small head

NN



## Maintenance

- If your furniture is stained or otherwise damaged during use, contact a professional for repairs.

## Care and Cleaning

- Use a soft, clean cloth that will not scratch the surface when dusting.
- Use of furniture polishes is not necessary. Should you choose to use polishes, test the polish in an inconspicuous area before using over the entire surface of the product.
- Using solvents of any kind on your furniture may damage the finish.
- Never use water to clean your furniture as it may cause damage to the finish.
- Always use coasters under beverage glasses and flowerpots.
- Liquid spills should be removed immediately. Using a soft, clean cloth, blot the spill gently avoid rubbing.
- Always use protective pads under hot dishes and plates. Heat can cause chemical changes that may create spotting within the furniture finish.
- Use care as stains or marks from crayons or ink markers will be difficult to remove.
- Be sure to immediately clean red wine or soda stains within 30 minutes or the surface will stain.

## Troubleshooting

PROBLEMS	SOLUTIONS
Not all of the product's legs touch the floor	Make sure adjustable center feet levelers are adjusted properly. The levelers are pre-assembled on the bottom of the legs
	The product is KD construction. You may need to loosen the bolts and place the product on a flat surface. Ensure that the legs all touch the flat surface and then re-tighten the bolts.
	Loosen all the bolts and apply some weight to the product to get all the feet to touch the floor. Then re-tighten the bolts in that position.
Panel cannot be assembled	Make sure panel is on right direction.
Door cannot be closed or without magnetic function	Adjust the magnetic clamp, make sure it is assembled on appropriate position.
Door is not flat	Adjust the hinge, make sure it is assembled on appropriate position.

HOME  
DECORATORS  
COLLECTION®

Questions, problems, missing parts?  
Before returning to the store, call Home Decorators Collection Customer Service.  
8 a.m. – 7 p.m., EST, Monday – Friday, 9 a.m. – 6 p.m., EST, Saturday

**1-800-986-3460**

**[HOMEDEPOT.COM/HOMEDECORATORS](https://www.homedepot.com/homedecorators)**

Retain this manual for future use.