

Limited Warranty

J & J Global, LLC (Seller) warrants to the original Buyer only, that each product will be free from defects in material and workmanship for a period of one (1) year from date of purchase. SELLER'S SOLE OBLIGATION AND BUYER'S EXCLUSIVE REMEDY UNDER THIS LIMITED WARRANTY SHALL BE THE REPAIR OR REPLACEMENT OF PARTS, WITHOUT CHARGE, WHICH ARE DEFECTIVE IN MATERIAL OR WORKMANSHIP. ANY PARTS AS DETERMINED BY THE SELLER WHICH HAVE BEEN MISUSED; ABUSED OR DAMAGED EITHER DIRECTLY OR INDIRECTLY FROM REPAIRS OR ALTERATIONS ATTEMPTED BY UNAUTHORIZED PERSON; IMPROPER MAINTENANCE, NEGLIGENCE OR ACCIDENT ARE NOT COVERED BY THIS LIMITED WARRANTY. This warranty does not apply to damage, heat-induced coloration changes, scratching or alteration due to normal use or weathering. To make a claim under this Limited Warranty, email contact@ezreplacement.com or visit www.ezreplacement.com for warranty questions and claims.

Additional Limitations

THIS LIMITED WARRANTY DOES NOT APPLY TO ACCESSORY OR CONSUMABLE ITEMS RELATED TO THIS PRODUCT. ALL IMPLIED WARRANTIES SHALL BE LIMITED IN DURATION TO ONE (1) YEAR FROM DATE OF PURCHASE. IN NO EVENT SHALL SELLER BE LIABLE FOR ANY INCIDENTAL OR CONSEQUENTIAL DAMAGES, INCLUDING BUT NOT LIMITED TO LIABILITY FOR LOSS OF PROFITS, ARISING FROM THE SALE OR USE OF THIS PRODUCT.

If any provision of this Limited Warranty is for any reason held to be invalid or unenforceable, such provision shall not affect any other provision herein, this Limited Warranty shall be construed as if such invalid and/or unenforceable provision had never been contained herein.

This warranty gives you special legal rights, and you may also have other rights which vary from state to state.

This warranty contains the entire agreement between Seller and Buyer and supercedes any and all prior agreements, arrangements, or understandings between the parties relating to product warranty.

Due to ongoing product development the actual product or products may vary from the illustrations or photos shown within this manual.

For Manuals, Replacement Parts or Customer Service visit:
www.ezreplacement.com



This product is intended for residential, non-commercial use.

MADE IN CHINA
©2018 J & J Global, LLC
Distributed By:
J & J Global, LLC
Carrollton, TX 75006



Kambria Mini Solar Lamp Post & Planter Instruction Manual



Model No. 302022, 312022, 302023, 312023

Read the instructions and precautions before use of this product

Please keep this instruction manual for future reference

For warranty information, please refer to the back page of this instruction manual.

OPERATING SOLAR LIGHT

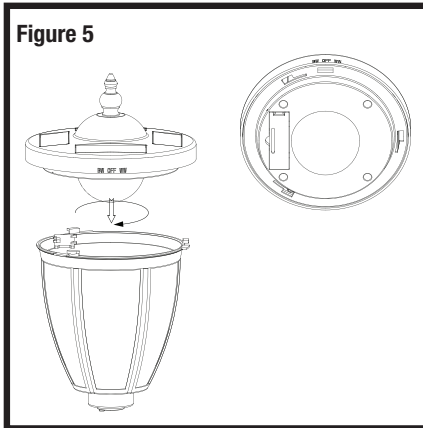
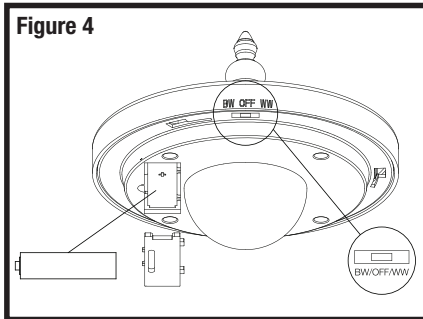
Instructions For First Time Use

Allow lantern to charge for at least 8 hours in full sunlight with the OFF/ON switch in the OFF position. The OFF/On switch is located under the solar panel (See Figure 4). The switch has three positions BW, OFF, and WW. Once the batteries are fully charged, set the switch to the BW for blue white light or WW for white light. If the lantern doesn't turn on after initial charging, ensure batteries are making contact with terminals.

Battery Replacement

NOTE: The batteries in your solar lantern come pre-installed from the factory.

1. (SEE FIGURE 5) Twist the top of lantern head counter clock wise to remove solar panel housing.
2. Carefully lift the solar panel housing off the lantern head. Batteries compartment is located under the solar panel.
3. Remove old batteries.
4. Replace old batteries with new ones of the same rating. Reference polarity direction inside battery compartment.
5. Align tabs on lantern head with the holes on solar panel housing. Twist solar panel housing clock wise to secure.
6. The rechargeable batteries need to be fully charged before operating light assembly. See "Operating Solar Light" to restore solar light assembly to full operation.



SOLAR LIGHT PLACEMENT

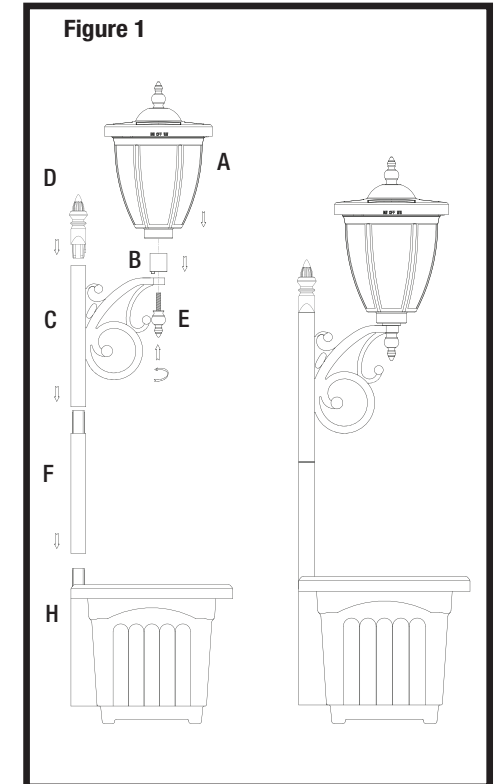
Where To Place the Solar Light

Place the solar light in an area where it will receive direct sunlight for at least 8 hours per day. The number of hours light is illuminated is directly proportional to the number of hours of sunlight it receives. If the light is placed in a shaded area, it will not be able to fully charge and its burn time will be limited. Do not place the light near other outdoor lighting like porch or streetlights. These may fool the sensor and keep the light from coming on, or cause it to turn off automatically.

ASSEMBLY INSTRUCTIONS

Assembly With Planter

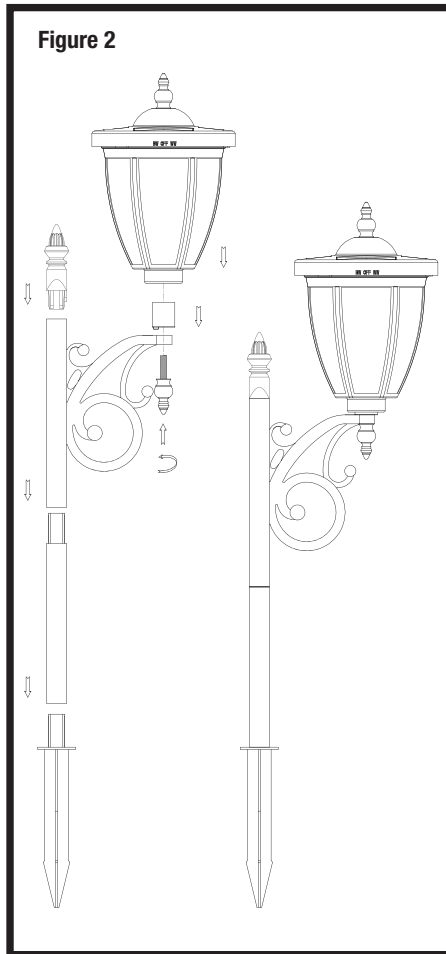
1. (See Figure 1) Attach the extension post (F) to the planter base (H). Next attach decorative post (C) to extension post (F). Attach the top finial (D) to decorative post (C). Attach the lantern adapter (B) on top of the scrolled arm of the decorative post and secure into place by tightening the bottom finial (E). Attach the lantern head (A) on top of the lantern adapter.



Stake Light Assembly

1. (See Figure 2) Attach the extension post (F) to the ground stake (G). Next attach decorative post (C) to extension post (F). Attach the top finial (D) to decorative post (C). Attach the lantern adapter (B) on top of the scrolled arm of the decorative post and secure into place by tightening the bottom finial (E). Attach the lantern head (A) on top of the lantern adapter.

⚠ CAUTION: To prevent product damage or personal injury from tip-over, lamp post planter base must be placed on a flat, level surface and be filled with minimum of 5-10 lbs. of gravel or stone.



Wall Mount Instructions

1. (SEE FIGURE 3) Attach planter base (H) to wall using wall mounting hardware (I). Drill hole into wall or surface, next push the wall anchors into hole. Screw two screws into the wall anchors leaving the screws out enough to attach planter base (H). Remove the top finial (D) and screw the last screw through decorative post (C) into wall anchor. Re-attach top finial (D) to decorative post (C).

