




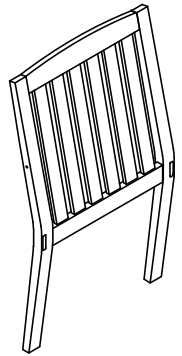
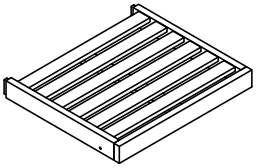


ASSEMBLY INSTRUCTION - DINING ARMCHAIR

No	LIST OF HARDWARE	FIG	Q.TY(pcs)
①	VIS X M7x70		04
②	Bolt M6x65		06
③	Washer 6x16x1		06
④	Bolt M8x65		04
⑤	Allen Key		01



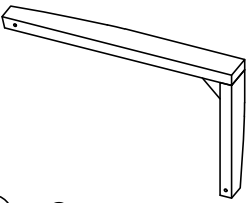
Ⓐ x 1



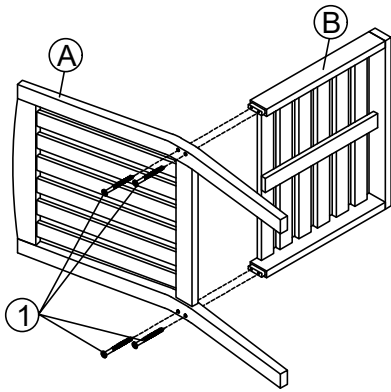
Ⓑ x 1



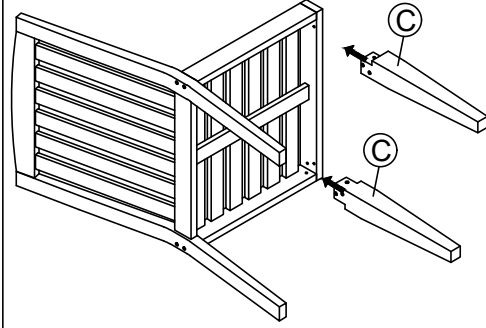
Ⓒ x 2



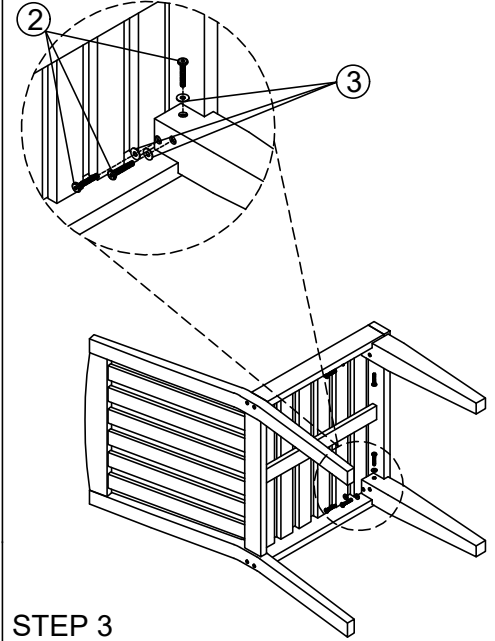
Ⓓ x 2



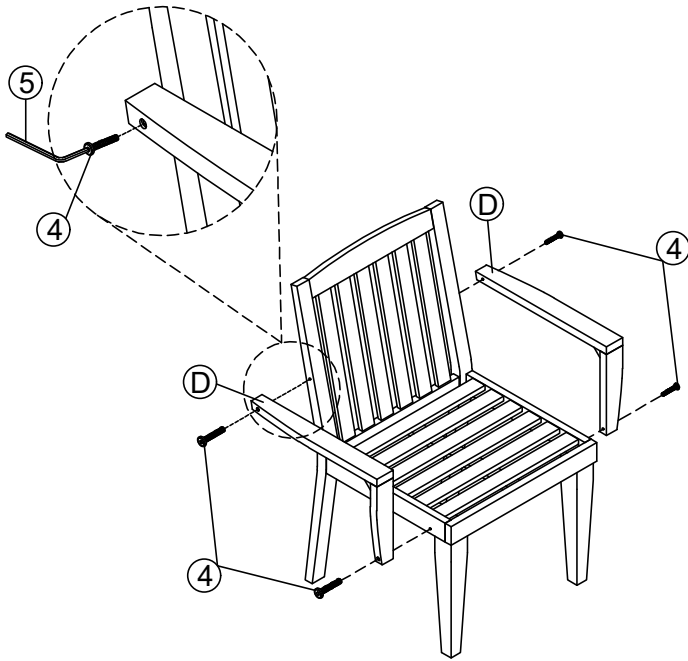
STEP 1



STEP 2



STEP 3



STEP 4

