

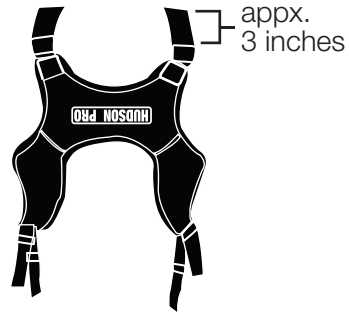
NEVERPUMP™ BATTERY POWERED BAK-PAK SPRAYER

19001 NeverPump®
Battery Powered Bak-Pak® Sprayer

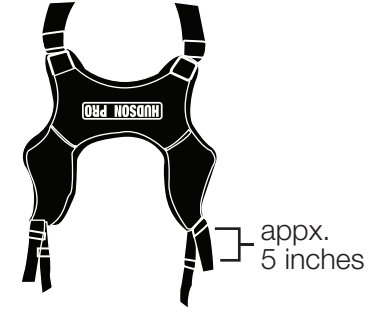
If you have any questions or concerns,
or missing parts, do not return sprayer to the store.
Call our hotline: 1-800-9-SPRAYER (1-800-977-7293)

STRAP ASSEMBLY:

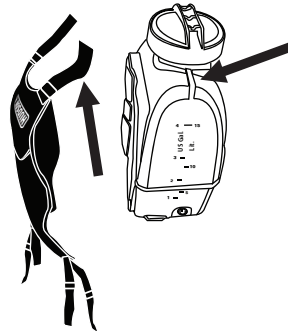
1. Pull back buckle on the top of the straps to leave approximately 3 inches of excess strap.



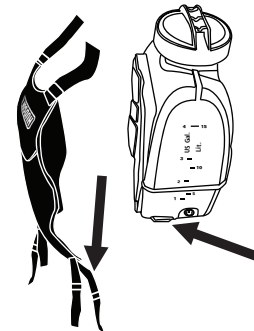
4. Pull back buckle on the bottom of the straps to leave approximately 5 inches of excess strap.



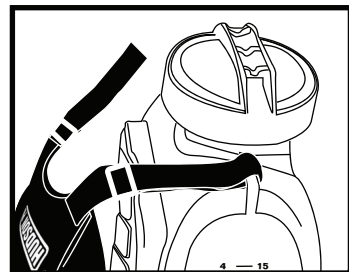
2. Insert access strap into yellow plastic loop and fold over.



5. Insert access strap down through black plastic loop located on the side of the tank and fold it over.

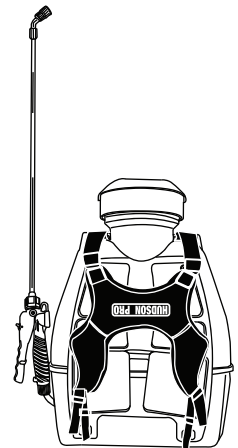


3. Pass end of the strap back through the buckle twice to secure in place and repeat on the other side.



*** Please note that the HUDSON PRO logo will appear upside down***

6. Pass end of strap back through buckle twice to secure in place and repeat on other side.



LIMITED WARRANTY:

H.D. Hudson Manufacturing Company warrants to the original purchaser only, that this product will continue to function as intended if used in accordance with operating instructions (under **NORMAL CONSUMER USE**) for one year. If the product fails to function as intended—**DO NOT RETURN IT TO THE STORE**— call our **CONSUMER SERVICE HOTLINE AT 1-800-9-SPRAYER** (toll free) for fast service. We will, at our option, repair or replace any non-functioning parts without charge (shipping and handling charges will apply). H.D. Hudson Manufacturing Company shall have the option of requiring the return of the non-functioning product to the address listed below together with proof of purchase to establish a claim under this warranty. This warranty does not apply to damage resulting from accident, misuse, neglect, alterations, operation not in accordance with instructions, commercial use, or normal wear.

ANY IMPLIED WARRANTIES, INCLUDING THE IMPLIED WARRANTY OF MERCHANTABILITY AND FITNESS FOR CONSUMER USE, ARE LIMITED TO THE DURATION SPECIFIED ABOVE. H.D. HUDSON MANUFACTURING COMPANY'S LIABILITY IS LIMITED SOLELY TO THE REPAIR OR REPLACEMENT OF THE NON-FUNCTIONING PRODUCT OR PART. H.D. HUDSON MANUFACTURING COMPANY EXCLUDES LIABILITY UNDER THIS WARRANTY FOR ANY AND ALL INCIDENTAL AND CONSEQUENTIAL LOSS OR DAMAGE.

Some states do not allow limitations on how long an implied warranty lasts, or the exclusion or limitation of incidental or consequential damages, so these limitations or exclusions may not apply to you. This warranty gives you specific legal rights and you may have other rights which vary from state to state.

IF YOU HAVE ANY QUESTIONS OR CONCERNS: PLEASE CALL OUR CONSUMER HOTLINE AT 1-800-9-SPRAYER (1-800-977-7293).

WARNING:

WARNING!!! THIS PRODUCT IS DESIGNED TO APPLY CHEMICALS THAT MAY BE HARMFUL AND COULD CAUSE SERIOUS PERSONAL INJURY IF INHALED OR BROUGHT INTO CONTACT WITH THE USER. FAILURE TO READ AND FOLLOW OWNER'S MANUAL INSTRUCTIONS BEFORE USE AND/OR MISUSE OF THIS PRODUCT COULD RESULT IN EXPLOSIVE FAILURE WITH MAJOR INJURIES.