

# REPAIR SHEET

BRAND <b>RYOBI</b>		DESCRIPTION <b>18 Volt String Trimmer/Edger</b>
MODEL NO. <b>P20102VNM</b>	MFG. NO. <b>107482101</b>	

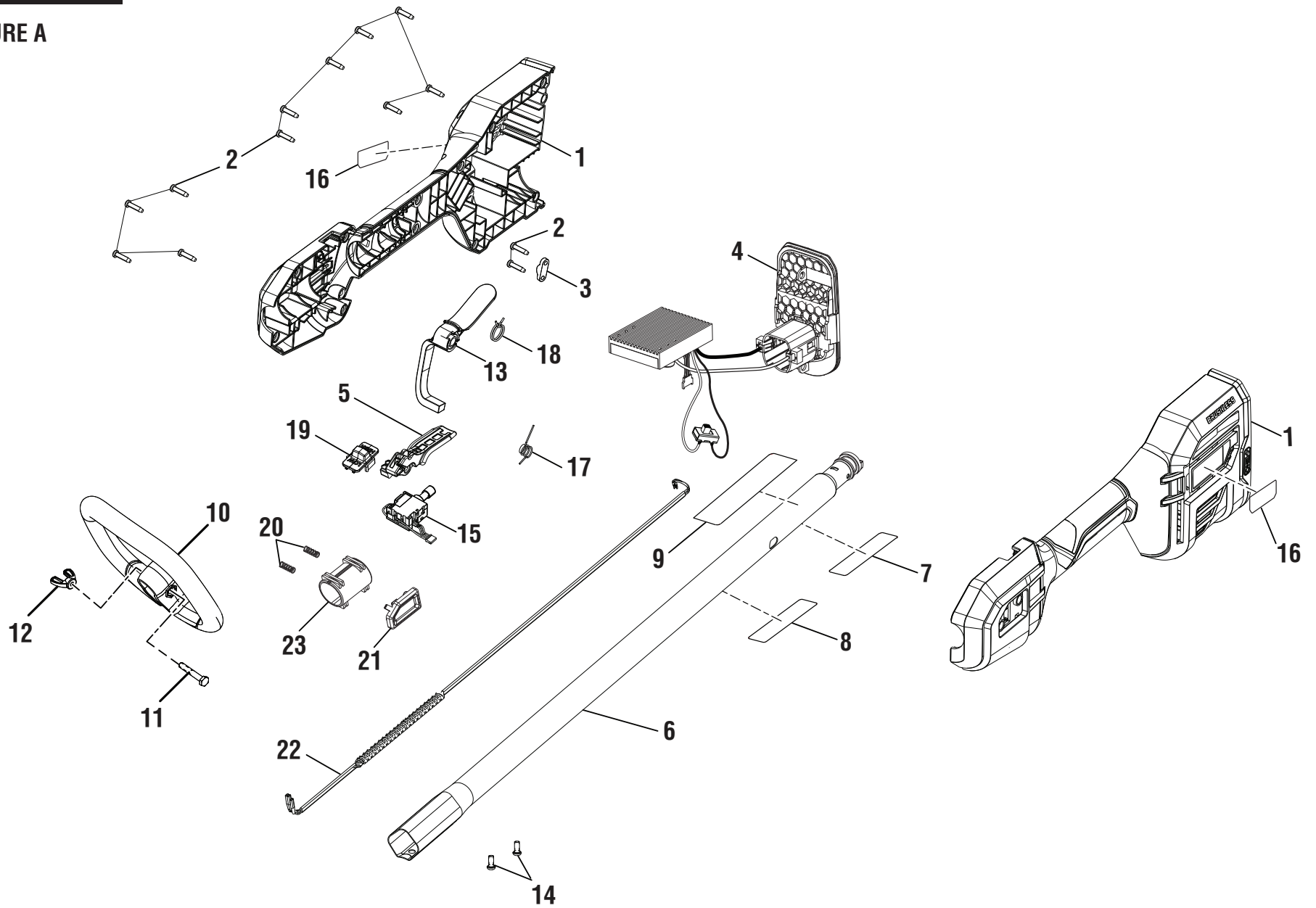


## TECHTRONIC INDUSTRIES POWER EQUIPMENT

P.O. Box 1288, Anderson, SC 29622 ■ 1-800-525-2579 ■ [www.ryobitools.com](http://www.ryobitools.com)

8-31-20 (Rev:01)

*The model number and manufacturing location will be found on a label attached to the product. Always mention this information in all communications regarding this product and when ordering parts.*

**FIGURE A**



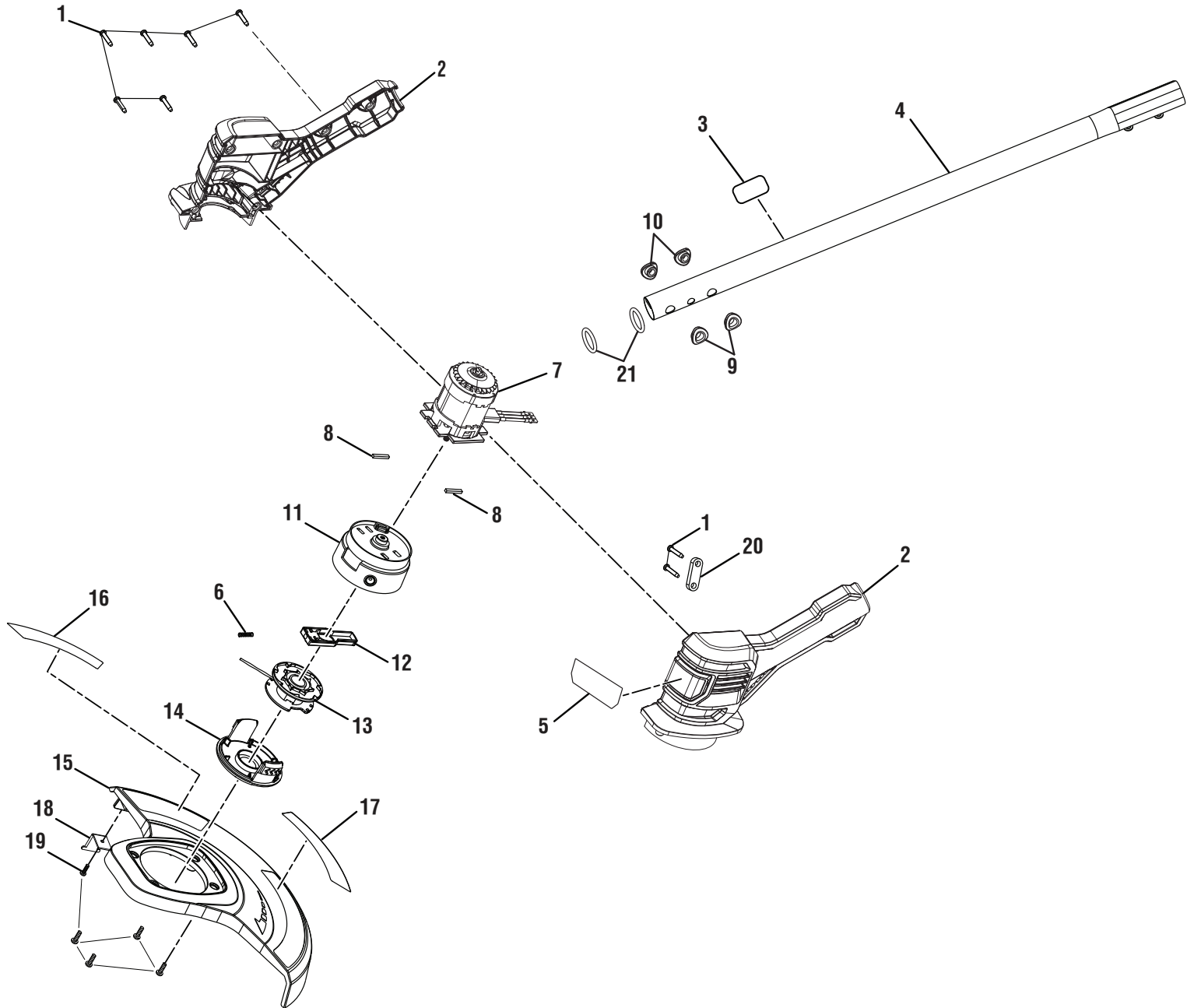
P20102VNM

PARTS LIST – FIGURE A

KEY NO.	PART NO.	DESCRIPTION	QTY.
1	316077001	Rear Handle Assembly (Inc. Key No. 16)	1
2	661817001	Screw (M4 x 13.5 mm, T15 Torx Pan Hd.)	13
3	513211001	Strain Relief Plate	1
4	316078001	Motor Controller and Switch Assembly	1
5	539527001	Trigger	1
6	316079001	Upper Boom Assembly (Inc. Key Nos. 7-9)	1
7	941013005	Warning Label (French/Spanish)	1
8	941588659	Data Label	1
9	941588795	Warning Icons Label	1
10	308991003	Auxiliary Handle Assembly (Inc. Key Nos. 11-12)	1
11	660643008	Bolt (1/4-20 x 40 mm, Hex Hd.)	1
12	518949001	Wing Nut (1/4-20)	1
13	539526001	Lock-Out Trigger	1

KEY NO.	PART NO.	DESCRIPTION	QTY.
14	661848001	Screw (M5 x 8 mm, Pan Hd.)	2
15	760952004	Variable Speed Switch	1
16	941588794	Logo Label	2
17	660502002	Torsion Spring (Trigger)	1
18	698399001	Lock-Out Spring	1
19	532076011	Slide Switch Cover	1
20	698460001	Spring	2
21	539530001	Rotation Button	1
22	770293001	Spring Wire	1
23	539531001	Boom Holder	1
	<b>Not Shown:</b>		
	998000054	Operator's Manual	

**FIGURE B**





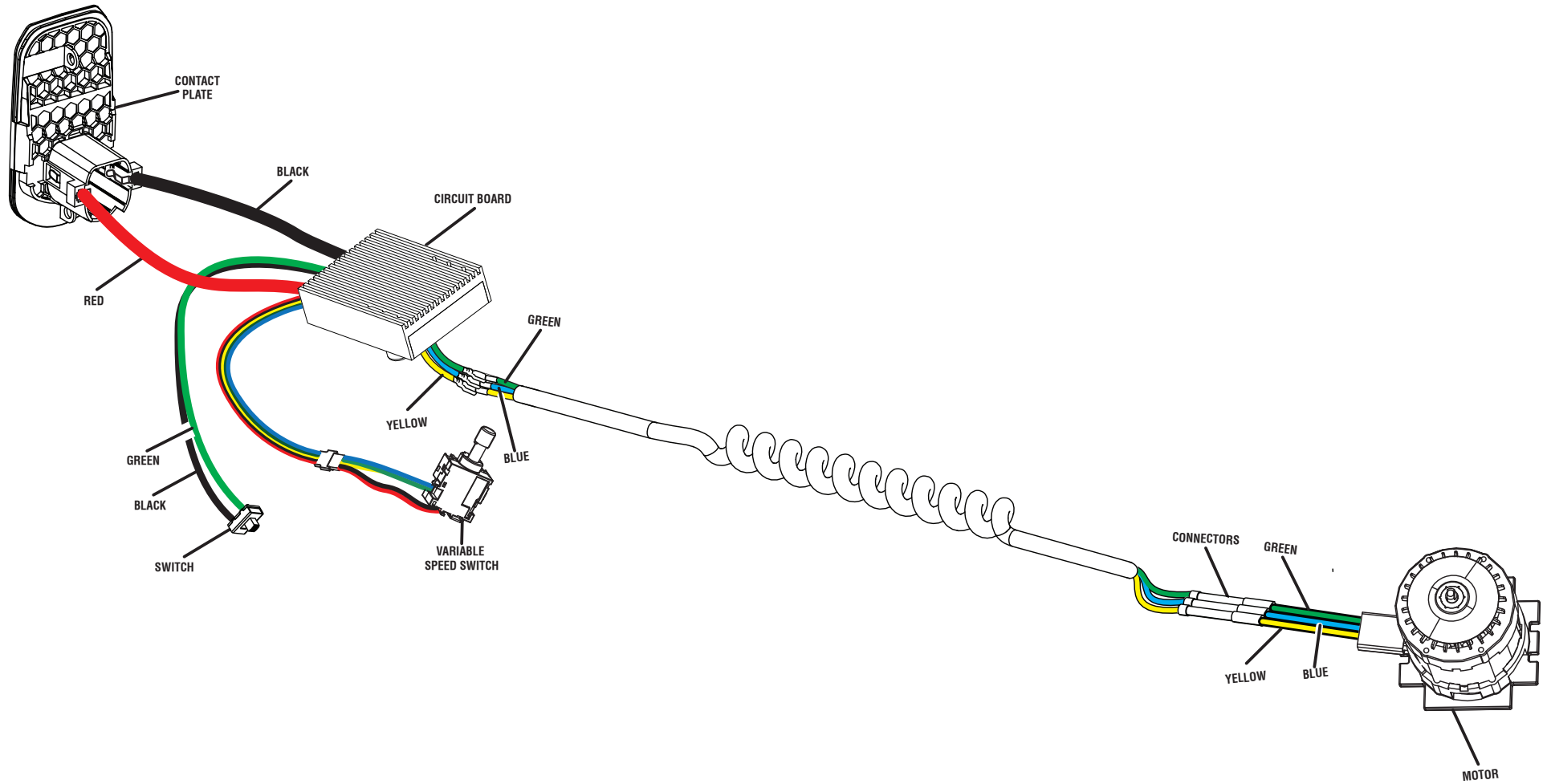
**P20102VNM**

**PARTS LIST – FIGURE B**

KEY NO.	PART NO.	DESCRIPTION	QTY.
1	661817001	Screw (M4 x 13.5 mm, T15 Torx Pan Hd.)	8
2	316081001	Motor Housing Assembly (Inc. Key No. 5)	1
3	941588740	Lower Boom 18 V Label	1
4	316080001	Lower Boom Assembly (Inc. Key No. 3)	1
5	941588793	Front Logo Label	1
6	679034001	Compression Spring (Slider)	1
7	742679001	Motor	1
8	562079002	Rubber Plate (Motor Mounting Plate)	2
9	565565001	Plug	2
10	565564001	Plug	2
11	522991004	Spool Base	1

KEY NO.	PART NO.	DESCRIPTION	QTY.
12	310920001	Slider Assembly	1
13	*	Spool w/Line Assembly	1
14	*	Spool Cap	1
15	316082001	Guard Assembly (Inc. Key Nos. 16-19)	1
16	941588516	Adjustable Cut Label	1
17	941588515	Line Trimming Instructions Label	1
18	638845006	Line Cut-Off Blade	1
19	660208055	Screw (M4 x 12 mm, Pan Hd.)	5
20	513211001	Strain Relief Plate	1
21	565563001	O-Ring	2

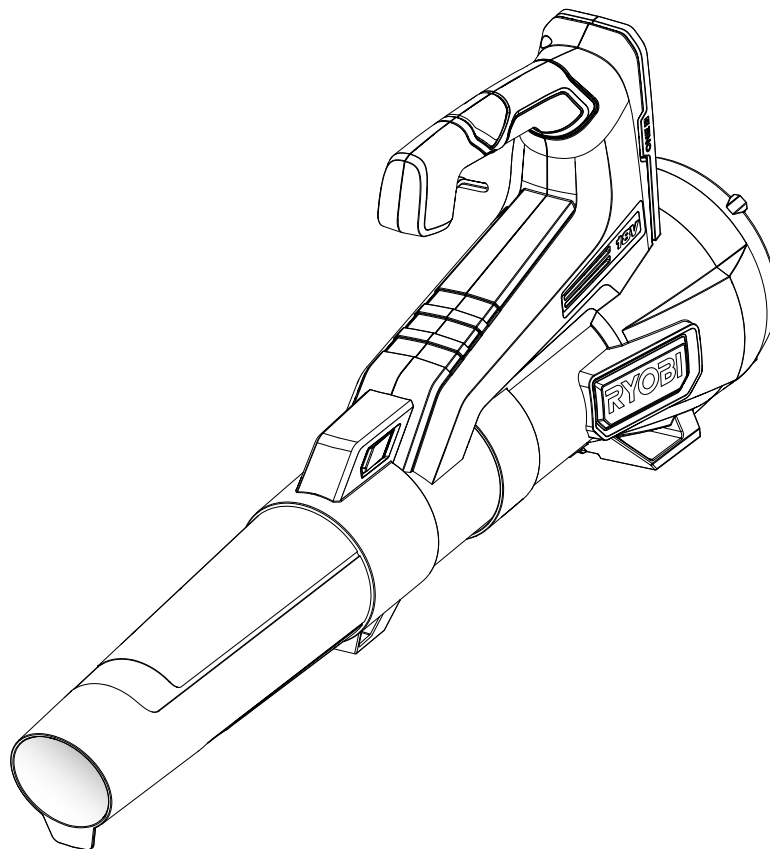
*\* Standard Hardware Item – May Be Purchased Locally at The Home Depot*



### WIRING DIAGRAM

# REPAIR SHEET

BRAND <b>RYOBI</b>		DESCRIPTION <b>18 Volt Brushless Blower</b>
MODEL NO. <b>P21012VNM</b>	MFG. NO. <b>108646001</b>	

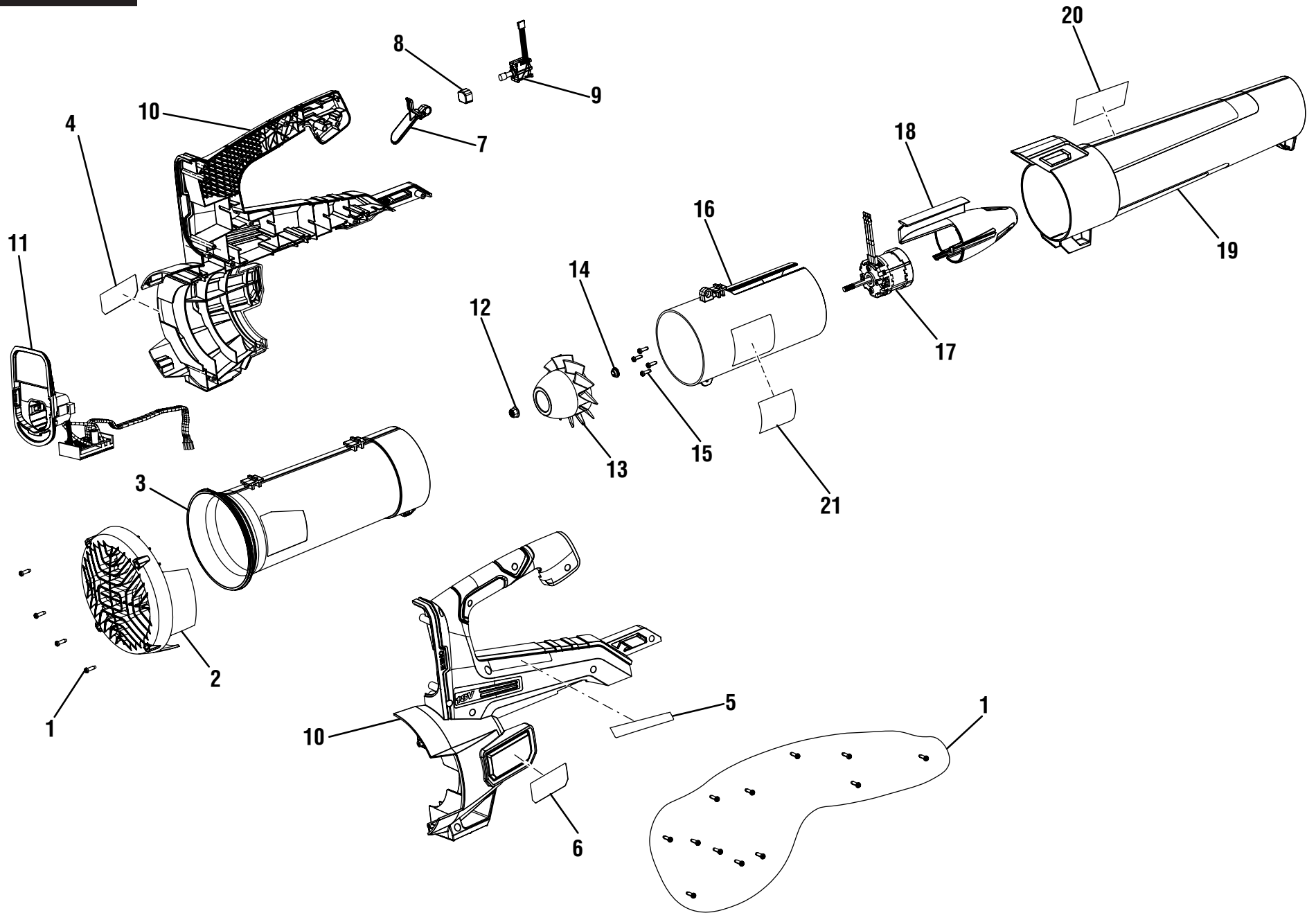


## TECHTRONIC INDUSTRIES POWER EQUIPMENT

P.O. Box 1288, Anderson, SC 29622 ■ 1-800-860-4050 ■ [www.ryobitools.com](http://www.ryobitools.com)

8-19-20 (Rev:01)

*The model number and manufacturing location will be found on a label attached to the product. Always mention this information in all communications regarding this product and when ordering parts.*





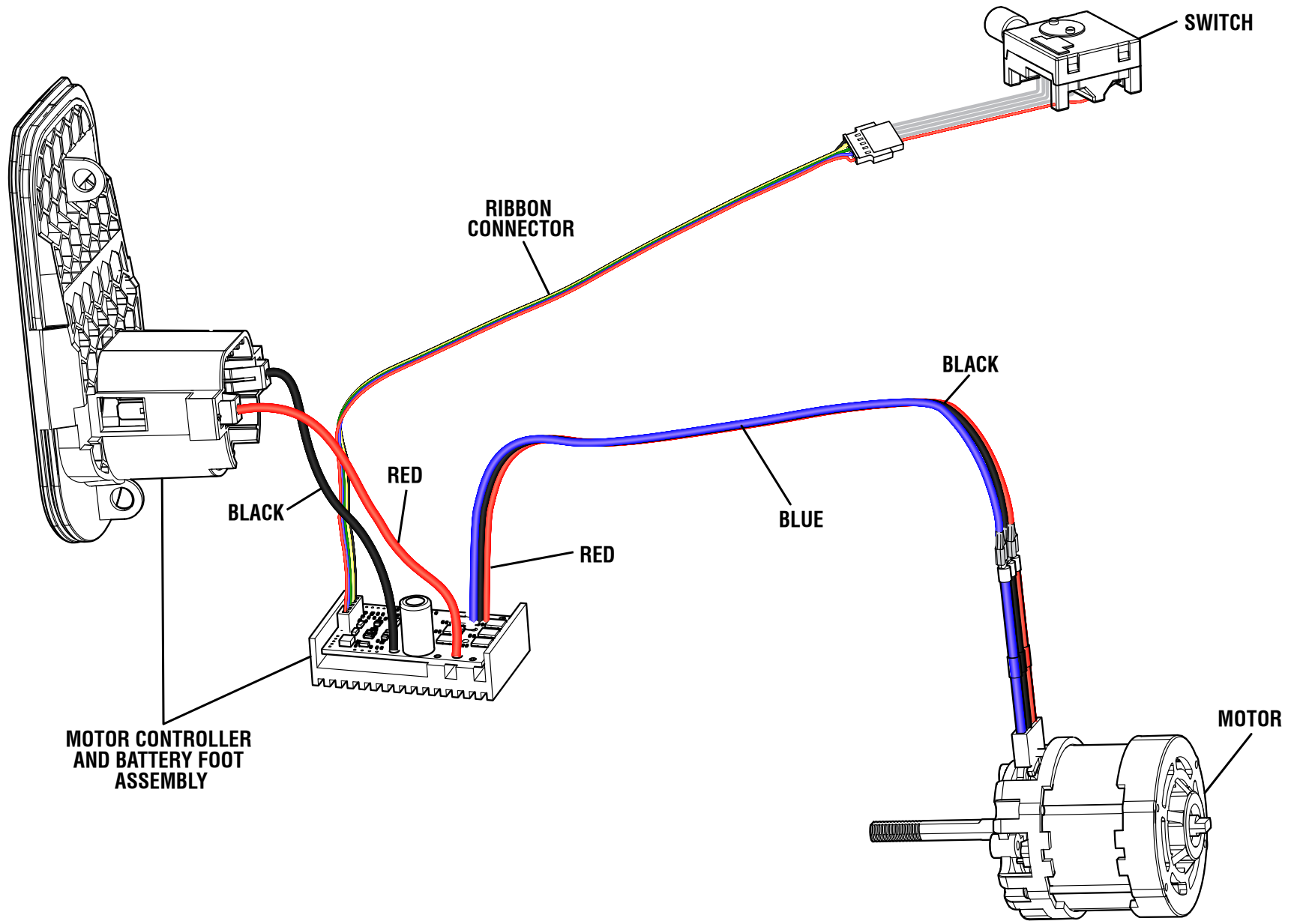


P21012VNM

PARTS LIST

KEY NO.	PART NO.	DESCRIPTION	QTY.
1	661817001	Screw (M4 x 13.5 mm, T15 Torx Pan Hd.)	16
2	541661001	Guard	1
3	541667001	Inlet Bell	1
4	941588725	Logo Label	1
5	941588728	Icon Label	1
6	941588726	Data Label	1
7	541662001	Trigger	1
8	541663001	Switch Cap	1
9	760649001	Switch	1
10	317091001	Housing Assembly (Inc. Key Nos. 4-6)	1
11	317094001	Motor Controller & Battery Foot Assembly	1
12	678774009	Flange Lock Nut (M6)	1

KEY NO.	PART NO.	DESCRIPTION	QTY.
13	541664001	Fan	1
14	612854002	Bushing	1
15	661610009	Screw (M3.5 x 12 mm, T15 Torx Pan Hd.)	4
16	317092001	Stator Assembly	1
17	742700001	Motor	1
18	541668001	Nose Cone	1
19	317093001	Tube Assembly (Inc. Key No. 20)	1
20	941588729	HP Brushless Label	1
21	941588727	Warning Label	1
	<b>Not Shown:</b>		
	998000300	Operator's Manual	1



**WIRING DIAGRAM**