

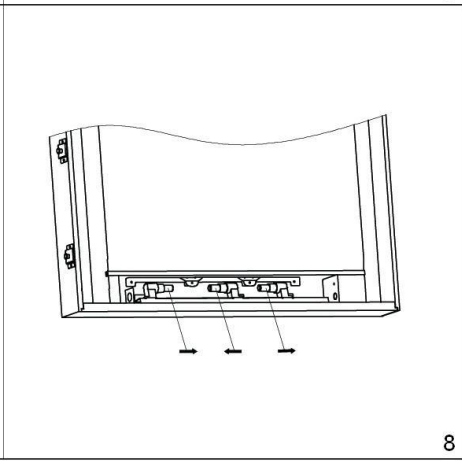
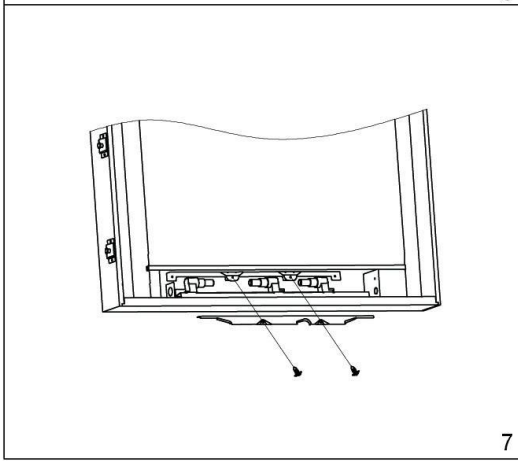
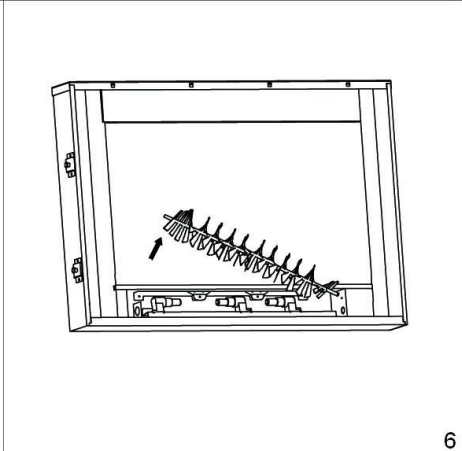
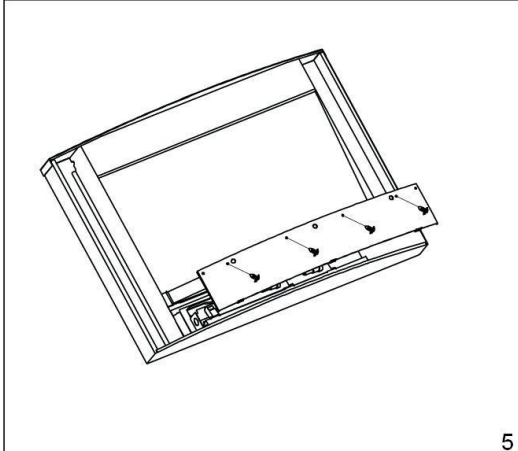
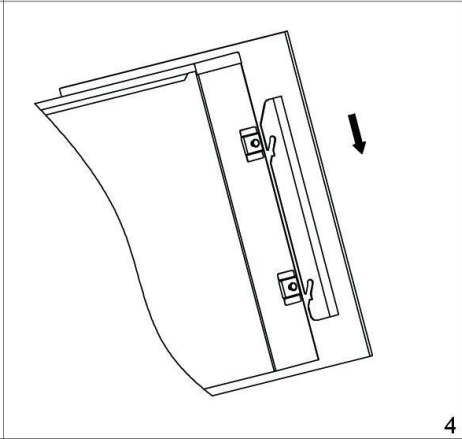
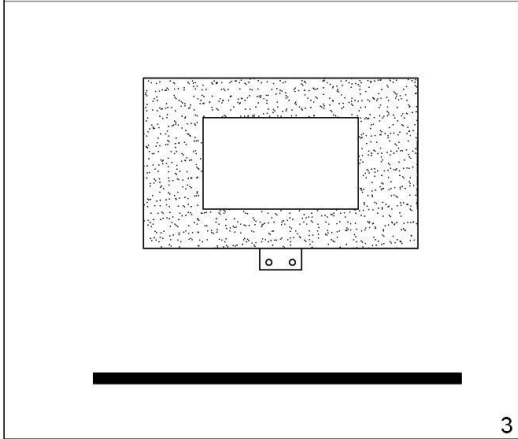
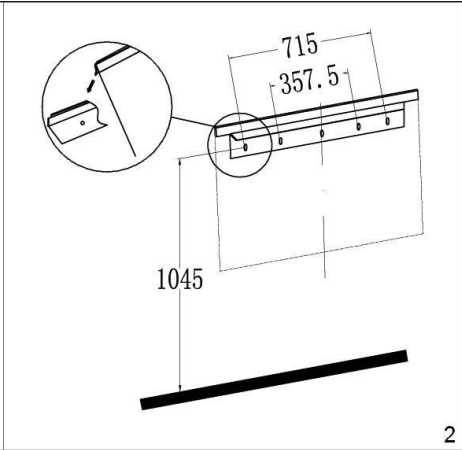
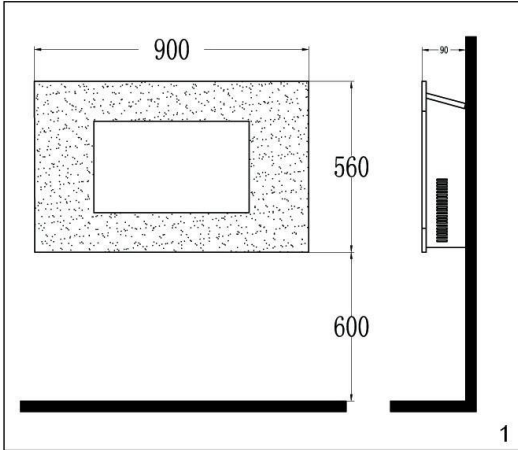
INSTALLATION AND USER INSTRUCTION
GUIDE



Electric Fire
With Remote Control

Model:EF421S

Please read all instructions carefully and
retain for future reference



Getting Started

Remove appliance from the box.

Remove any packaging from the product.

Place packaging inside the box and either store or dispose of safely.

In the box

Fire body.

Front panel.

Pebble pack

Concealed fixings pack containing:

Screws and wall plugs

Fixing bracket

Remote control

Instruction manual

Features

Remote control

Dancing flame effect

Detachable front

Heater with two settings

Thermal cutout

Two heat settings - 750W and 1500W.

Wall mounted

Safety Instructions

When using electrical appliances, basic safety precautions should always be followed.

Do not use the appliance until it is securely fixed as described in this manual.

Check that the voltage indicates on the data plate corresponds with that of the local network before connecting the appliance to the mains power supply.

Children should be supervised to ensure that they do not play with the appliance.

If the supply cord is damaged, it must be replaced by a qualified engineer in order to avoid a hazard.

The fireplace heater must not be positioned directly under the power socket.

Keep furniture, curtains and other flammable material at least 1 meter away from the appliance.

Do not leave the appliance unattended during use.

Do not leave the appliance unattended whilst connected to the mains supply.

Keep out of reach of children and do not allow them to operate this appliance.

This appliance is intended for household use only and should not be used for industrial purposes.

Do not operate this appliance after a malfunction or after being dropped or damaged in any way.

Repairs to electrical appliances should only be performed by a qualified electrician.

Improper repairs may place user at serious risk.

Do not run the mains cable under carpets, rugs, etc.

Do not allow the mains cable to hang over sharp edges or come in contact with hot surfaces.

WARNING: In order to avoid overheating, do not cover the heater.

Do not use this heater with a programmer, timer, separate remote control system or any other device that switches the heater on automatically, since a fire risk exists if the heater is covered or positioned incorrectly. Never immerse the product in water or any other liquid for any reasons.

Do not use this heater in the immediate surroundings of a bath, a shower or a swimming pool.

Do not use the appliance outdoors.

Do not use if you have wet hands.

Never use the appliance on or near hot surfaces.

Do not operate with a damaged cord.

Before cleaning the appliance, make sure it is unplugged from the power and that it is completely cooled.

Do not clean the appliance with abrasive chemicals.

Never use accessories that are not recommended or supplied by the manufacturer. It could cause danger to the user or damage to the appliance.

The only user replacement items are the bulbs. There are no other user-replacement parts. All other servicing should be referred to a qualified engineer.

This appliance is not intended for use by persons (including children) with reduced Physical, sensory or mental capabilities, or lack of experience and knowledge unless they have been given supervision or instruction concerning use of the appliance by a person responsible for their safety.

Children should be supervised to ensure that they do not play with the appliance.

Do not lift the appliance by the front panel.

In order to avoid overheating, do not cover the heater.

The heater must not be located immediately below a socket outlet.

Keep top of heater at least 1000mm away from ceiling or other objects for optimum heat ventilation.

If the cord is damaged, it must be replaced by the manufacturer or its service agent or qualified personnel to avoid risk.

Do not let children or untrained people with mental or decrease the stove handle or near your machine.

WARNING: This heater is not equipped with a device to control the room temperature. Do not use this heater in small rooms when they are occupied by persons not capable of leaving the room on their own, unless constant supervision is provided.

Children of less than 3 years should be kept away unless continuously supervised.

Children aged from 3 years and less than 8 years shall not switch on/off the appliance plug in, regulate and clean the appliance.

CAUTION: Some parts of this product can become very hot and cause burns. Particular attention has to be given where children and vulnerable people are present.

Children shall not play with the appliance.

TO RESET TEMPERATURING LIMITING CONTROL DISCONNECT POWER USING PLUG CAP OR MAIN SWITCH FOR 5 MIN.

CAUTION: TO PREVENT ELECTRIC SHOCK MATCH WIDE BLADE OF PLUG TO WIDE SLOT, FULLY INSERT.

ATTENTION: POUR ÉVITER LES CHOCS ÉLECTRIQUES, INTRODUIRE LA LAME LA PLUS LARGE DE LA FICHE DANS LA BORNE CORRESPONDANTE DE LA PRISE ET POUSSER JUSQU'AU FOND.

Helpful Advice Before Fitting

Please retain all packaging until you have checked and counted all the parts and the contents of the fixing pack against the parts list.

The fixing pack contains small items, which should be kept away from young children. We suggest that you open the fixing pack and place all the contents into a container, therefore reducing the risk of losing any small pieces.

Installation

The fire must not be used until it is securely fastened to the wall.

Do not connect the appliance to the mains until properly fixed to the wall and the instructions are read fully.

The minimum distances must be observed in the diagrams above.

For installation of the appliance, care must be taken not to damage concealed cables. Please be careful whilst drilling holes.

This appliance is designed to be permanently fixed to a wall at a minimum height of 300mm. The wall bracket must be fitted horizontally and the cable routed to the bottom right of the heater.

A distance of 600mm from bottom of heater to floor is recommended for optimum viewing of fuel bed; see **Fig.1** for recommend fixing dimensions.

For optimum viewing, mark the top four screws fixing positions on wall in accordance with the recommend fixing dimensions- see **Fig.2**.

NOTE: ensure that the bracket is level by using a Spirit level whilst marking out the hole positions.

Drill holes with a No. six drill bit.

Fix the wall bracket using that the plug and screws provided.

Attach the lower fixing bracket the base of the fire using the two small black screws supplied; ensure the bracket is fitted so that it is level with the back.

Carefully lift the heater up ensuring that the top rear ledge of heater engages with the wall bracket (see **Fig.2** in circle) and is sitting centrally. This process should be carried out by two people to avoid injury or damage to property or the appliance.

Gently bring the heater down against the wall.

Mark the lower fixing bracket two fixing hole positions on the wall-see **Fig.3**, remove the heater.

Drill the wall and insert the wall plugs.

Refit the heater to the wall and fasten the bottom fixing bracket to the wall using the screws provided to permanently fix the heater in place.

Unpack the pebbles from the bag and place them along the light unit in the desired position.

Place the front surround over the front of the fire aligning the slots in the brackets at each side of the front panel with the lugs on the sides of the fire-see **Fig.4**.

Again two people will be required for this operation.

Instructions for Use

The appliance can be operated either by the switches located on the top right hand side of the fire or by the supplied remote control.

Manual Operation

This is done by operating the switches located at the top right hand side of the fire .The standby rocker switch must first be switched on, the fire will beep to indicate that it is powered up.

Press the O/I button once to turn on the appliance and fire effect. A red indicator light will show to indicate that the fire is ON. Press the O/I button for 3 seconds this will operate the dimmer mode, hold the button down until the desired brightness is obtained.

Press the 750W button once for the low heat setting; press twice to switch off the heat setting.

Press the 1500W button once for the high heat setting; press twice to switch off the heat setting.

Remote Operation

The standby rocker switch located at the top right hand side of the fire must first be switched on; the fire will beep to indicate that it is powered up.

It takes a little time for the receiver to respond to the transmitter. Do not press the buttons more than once within two seconds for the fire to operate normally.

Press the ON/OFF button once to turn on the appliance and fire effect.

Press the 750W button once for the low heat setting; press twice to switch off the heat setting.

Press the 1500W button once for the high heat setting; press twice to switch off the heat setting.

Press the DIMMER button to operate the dimmer mode, repeat pressing will raise and lower the brightness.

Safety Cut-Off

This appliance is fitted with a safety cut-off which will operate if the fire overheats (e.g. due to blocked air vents). For safety reasons, the fire will NOT automatically reset.

To reset the appliance, disconnect the appliance from the mains supply for at least 15 minutes. Reconnect to the mains supply and switch on the appliance.

Troubleshooting

Symptom	Solution
No operation/ no fan.	Check fuse by replacement. Check for safety cut-off operation.
No fire effect light.	Check the bulb by replacement.

Replacing the Lamp

Warning- Always disconnect from the power supply before replacing the bulbs.

Warning- The bulbs will reach a high temperature during operation.

Allow the bulbs to cool down after switching off the appliance before replacing.

NOTE: Two people will be required for this process.

It is recommended that the fire is carefully removed from the wall and laid on its back in order to replace the lamps.

Gently slide the front panel towards the top of the fire and remove. Store safely out of the way whilst the bulb is replaced so that it does not get damaged.

At the bottom of the fire there is a lamp cover fixed by **four** Phillip's head screws, remove the screws and lift off the lamp cover-see **Fig.5**.

For access to the bulbs, carefully slide the flexible rotisserie to one side ensuring that the rubber grommet is not lost-see **Fig.6**.

Remove the screws and lift off the light barrier-see Fig.7.

Remove the defective bulb by pulling it out of the holder.

Replace with a 40W G9 Halogen Bulb. Take care not to touch the bulb with bare hands and ensure that the bulb is pushed home.

Refit the rotisserie making sure that the rubber grommet is carefully pushed into the slotted hole on the bracket.

Lift the fire back onto the wall and replace the glass front by lifting onto the lugs either side of the fire. Ensure that the lower bracket is screwed to the wall.

Cleaning and Maintenance

Warning- Always disconnect from the mains supply before cleaning heater.

For general cleaning use a soft clean duster - never use harsh abrasive or cleaners.

The glass viewing screen should be cleaned carefully with a soft cloth. DO NOT use proprietary glass cleaners.

Technical Specification

Supply: 110-120V~ 60Hz

Rated power: 1500W

Lighting: 3x 40W G9 Halogen bulb