

# CAROLINA CHAIR & TABLE COMPANY

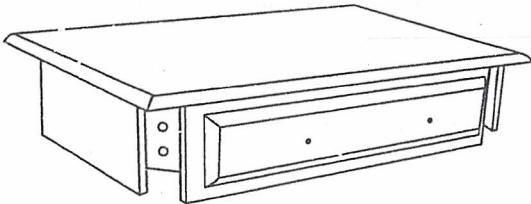
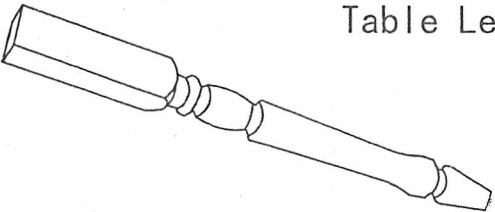
## ASSEMBLY INSTRUCTIONS






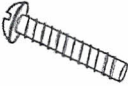

Item # 3419

Bella Desk Table

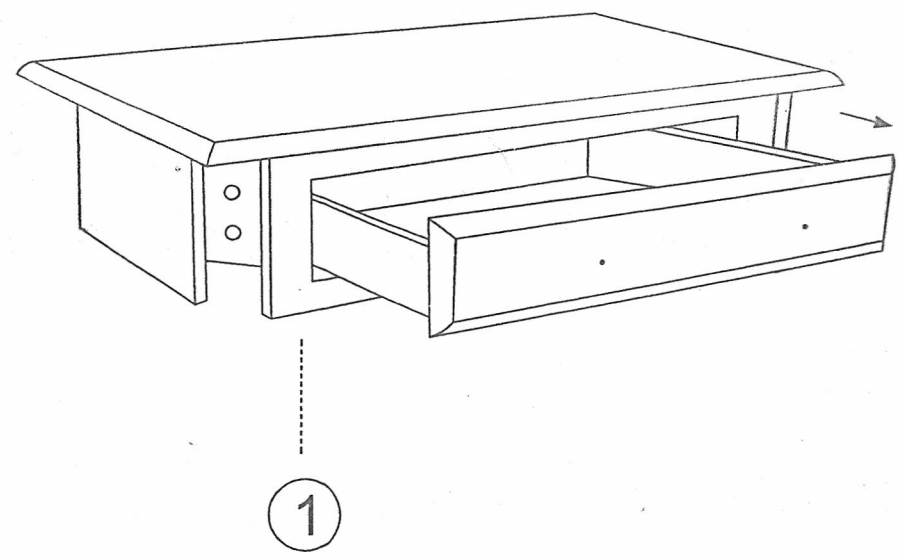


Thank you for purchasing a Carolina Chair & Table Company product. This product has been designed for easy assembly and is constructed for durability. Please take the time to read and follow the assembly instructions carefully. If a part or hardware is missing or you have any difficulties in assembling this product, please contact us Toll-Free at 1-800-228-3876

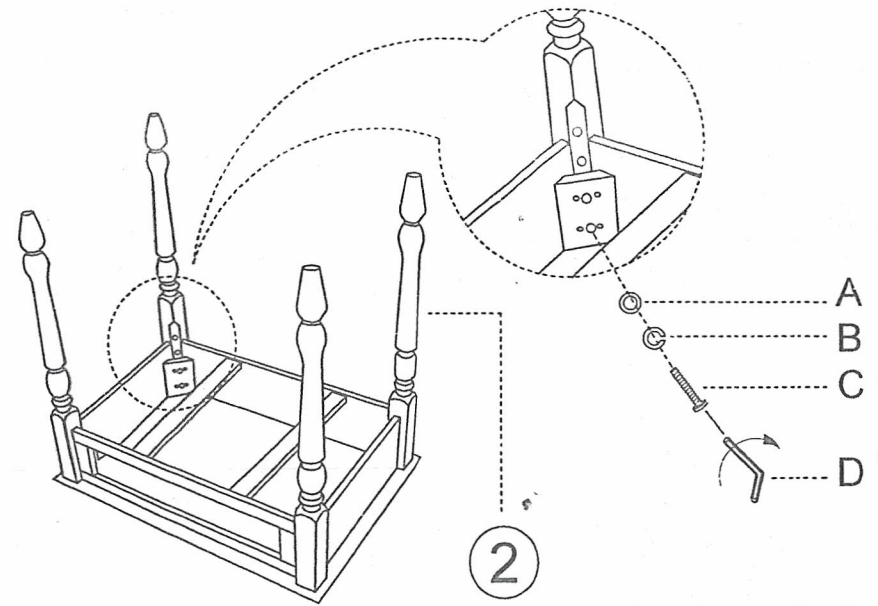
NO.	PART LIST	QTY
1	 Table Top	1PC
2	 Table Leg	4PCS

NO.	HARDWARE LIST	QTY
A	 Flat Washer	8PCS
B	 Lock Washer	8PCS
C	 Allen Head Bolt	8PCS
D	 Allen Head Wrench	1PC
E	 Knob	2PCS
F	 Screws	2PCS
G	 Philip Head Screw Driver	1PC

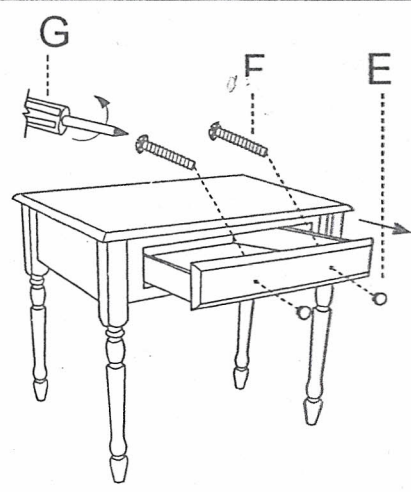
Step1: Put out the drawer as shown.



Step2: Place Top (1) upside down on a soft surface. Align the pre-drilled holes in Top (1) with pre-threaded holes in Posts (2). Secure with Allen Head Bolts (C), Lock Washers (B) and Flat Washers (A) by using Allen Head Wrench (D).



Step3: Set the Screws (F) into drawer holes, then cover the Knob (E) on the screw as shown, fasten them by screwdriver.



Step4: Ready Product.

