

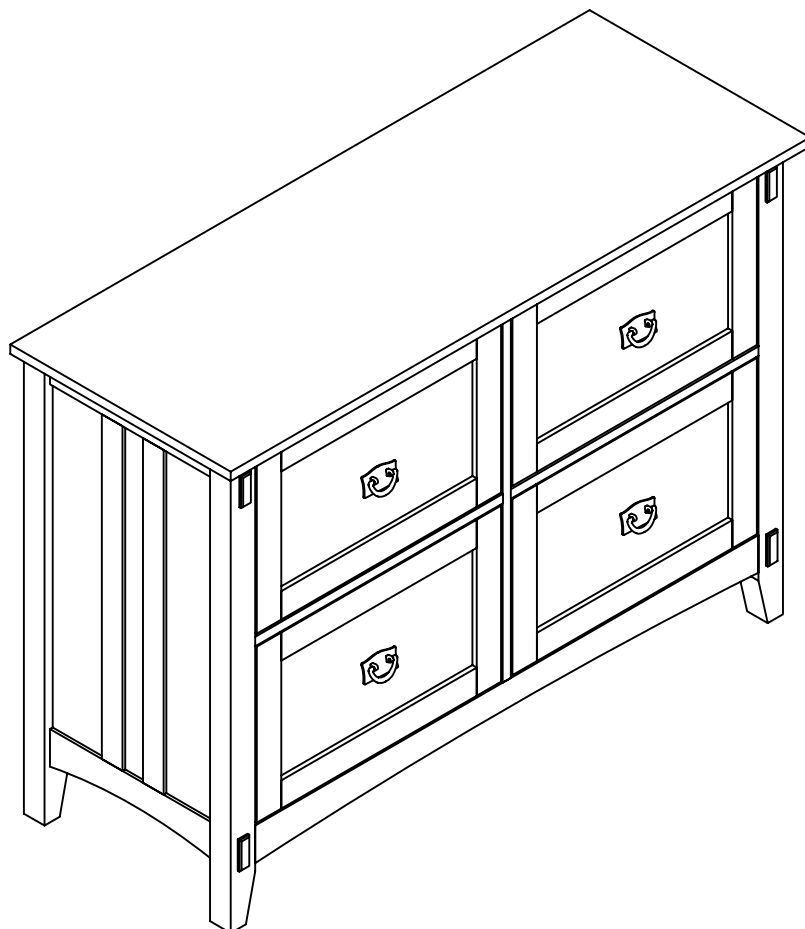
# HOME DECORATORS COLLECTION

SK18504 ARTISAN 4 DRAWER FILE CONSOLE 30"Hx41"Wx16.75"D

INV#92238

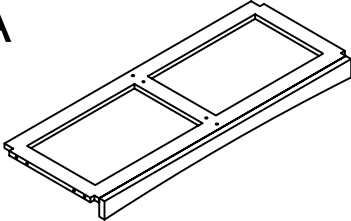
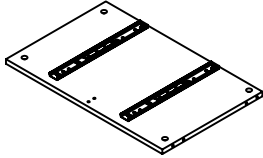
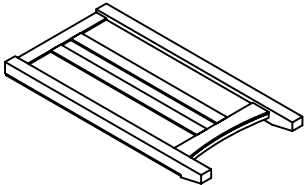
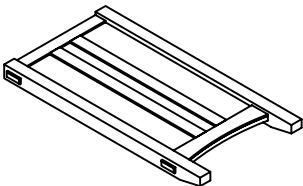

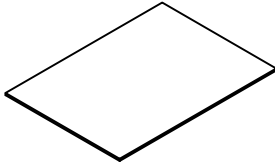
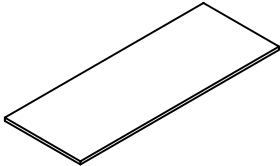
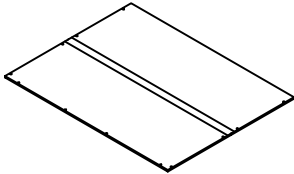
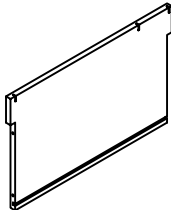
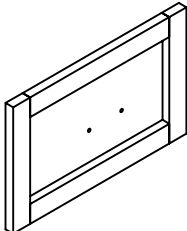
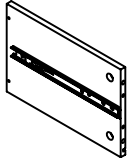
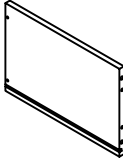
## ASSEMBLY INSTRUCTIONS

Made In China


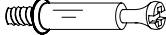











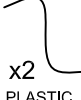
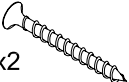


Thank you for purchasing this quality product. Be sure to check all packing material carefully for small parts, which may have come loose inside the carton during shipment. Count all parts and material hardware, then compare with parts list to be sure all parts are present. If any parts are missing or damaged, phone, fax, or mail to our Customer Service Department for efficient and speedy service. Please indicate the model number and code letter of part(s) needed.

**IMPORTANT NOTE:** Follow instructions listed below in proper sequence as numbered to assure fast, easy and correct assembly.

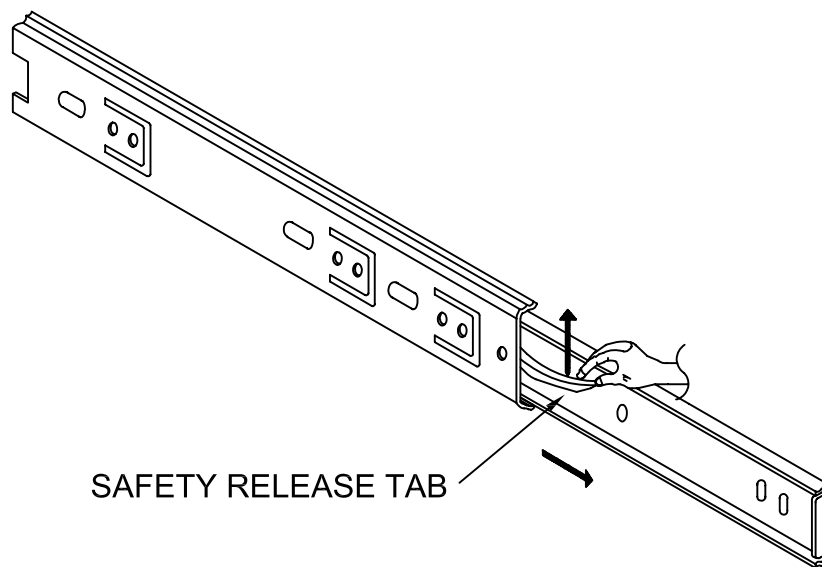
<b>PARTS LIST</b>		
<b>A</b> 	<b>B</b> 	<b>C</b> 
BOTTOM FRAME-1PC	PARTITION-1PC	LEFT SIDE PANEL-1PC
<b>D</b> 	<b>E</b> 	<b>F</b> 
RIGHT SIDE PANEL-1PC	FRONT CROSS BAR-2PCS	DRAWER BOTTOM PANEL-4PCS
<b>G</b> 	<b>H</b> 	<b>I</b> 
TOP PANEL-1PC	BACK PANEL-2PCS	DRAWER BACK PANEL-4PCS
<b>J</b> 	<b>K</b> 	<b>L</b> 
DRAWER FRONT PANEL-4PCS	DRAWER LEFT SIDE PANEL-4PCS	DRAWER RIGHT SIDE PANEL-4PCS

NOTE: THE SURFACE WITH THE STICKER IS THE BACK SIDE

<p><b>a</b></p>  <p>WOOD DOWEL-24PCS</p>	<p><b>b</b></p>  <p>CAM LOCK BOLT-32PCS</p>	<p><b>c</b></p>  <p>CAM LOCK-32PCS</p>
<p><b>d</b></p>  <p>5/8"L ROUND HEAD SCREW-27PCS</p>	<p><b>e</b></p>  <p>SHORT PLASTIC COVER-16PCS</p>	<p><b>f</b></p>  <p>HANDLE-4PCS</p>
<p><b>g</b></p>  <p>METAL PLATE-3PCS</p>	<p><b>h</b></p>  <p>BAR-8PCS</p>	<p><b>i</b></p>  <p>1" FLAT HEAD SCREW-16PCS</p>
<p><b>j</b></p>  <p>HANDLE BOLT-8PCS</p>	<p><b>ANTI-TIPPING HARDWARE PACKAGE</b></p> <div style="display: flex; justify-content: space-around; align-items: flex-start;"> <div style="text-align: center;"> <p><b>1</b></p>  <p>x4 RECTANGLE METAL PLATE</p> </div> <div style="text-align: center;"> <p><b>2</b></p>  <p>x2 1/2"L FLAT HEAD SCREW</p> </div> <div style="text-align: center;"> <p><b>3</b></p>  <p>x2 PLASTIC ANCHOR</p> </div> <div style="text-align: center;"> <p><b>4</b></p>  <p>x2 PLASTIC BAND</p> </div> <div style="text-align: center;"> <p><b>5</b></p>  <p>x2 1-1/2"L FLAT HEAD SCREW</p> </div> </div>	

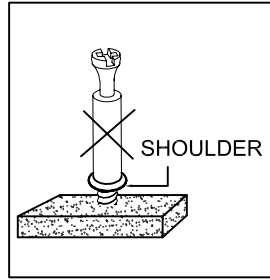
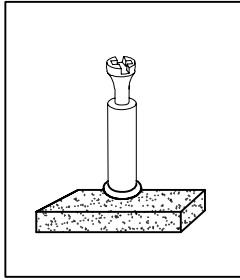
NOTE:THE SURFACE WITH THE STICKER IS THE BACK SIDE

## HOW TO SEPARATE GLIDES



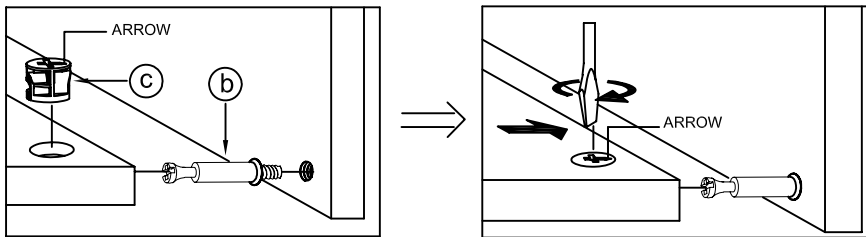
PRIOR TO ASSEMBLY, WE SUGGEST SEPARATING THE INNER GLIDES FROM THE OUTER-GLIDES, SIMPLY PULL THE LEFT/RIGHT INNER GLIDES FROM THE OUTER GLIDES EXPOSING A SMALL BLACK SAFETY RELEASE TAB, BY PUSHING THE SAFETY RELEASE TAB. YOU WILL BE ABLE TO SEPARATE THE GLIDES.

NOTE: • UPON OPENING, THOROUGHLY CLEAN ALL WOOD SURFACES TO REMOVE DUST AND DIRT THAT MAY HAVE SETTLED ONTO THE FINISH DURING SHIPMENT. IN ORDER TO PREVENT DAMAGE DURING ASSEMBLY. PLEASE ASSEMBLE THIS ITEM WITH AT LEAST TWO PEOPLE.



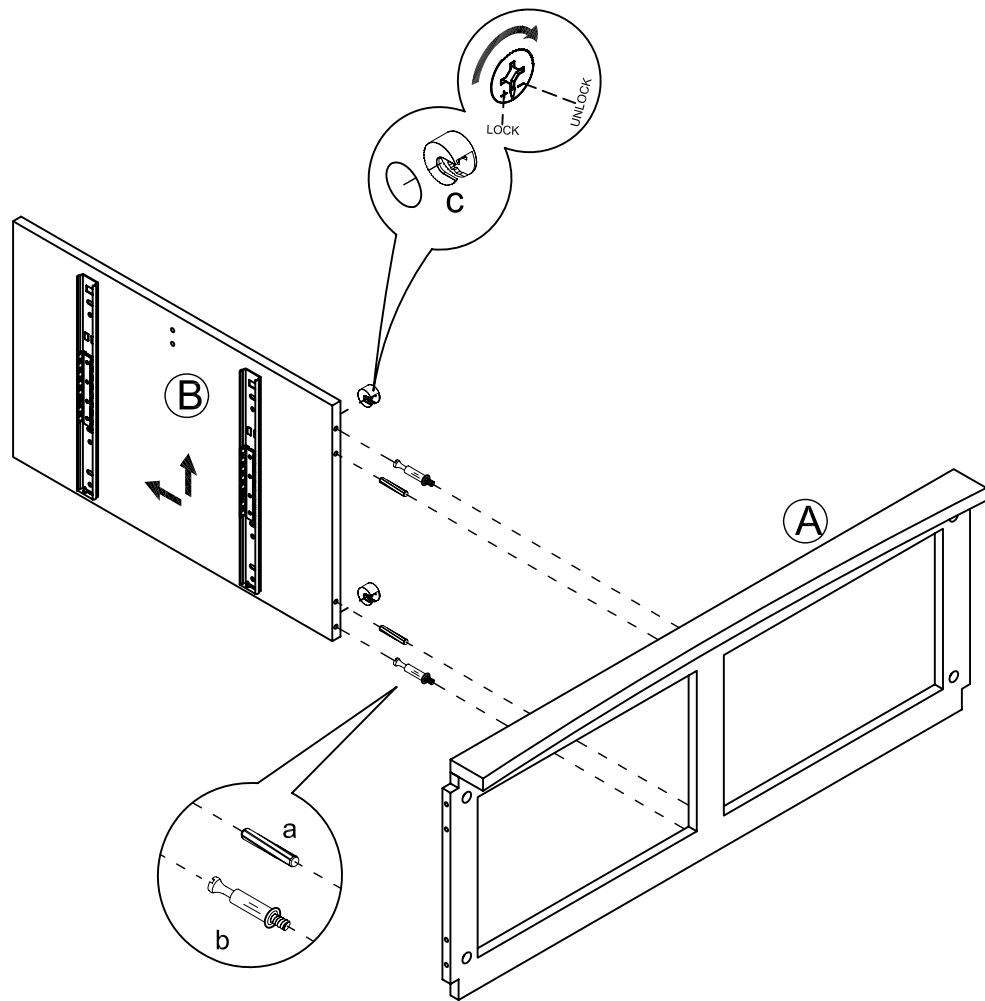
NOTE: TURN THE CAM-BOLT SCREWS UNTIL THEY ARE TIGHT, THE SHOULDER SHOULD BE AGAINST THE SURFACE OF THE PART.

## HOW TO USE THE CAM-TOOL



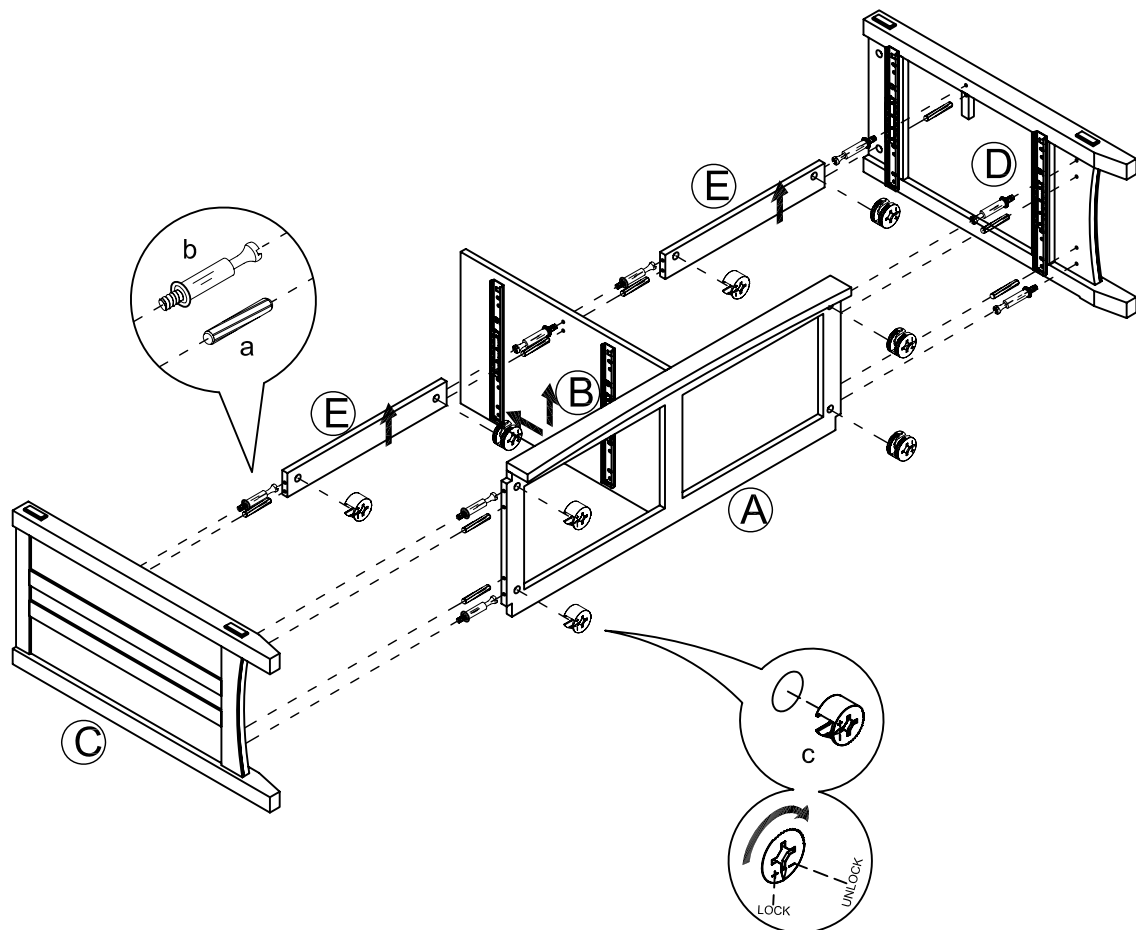
NOTE: • THE ARROWS ON THE HIDDEN CAM-LOCKS SHOULD POINT TO THE CAM-BOLTS.

# FIG 1



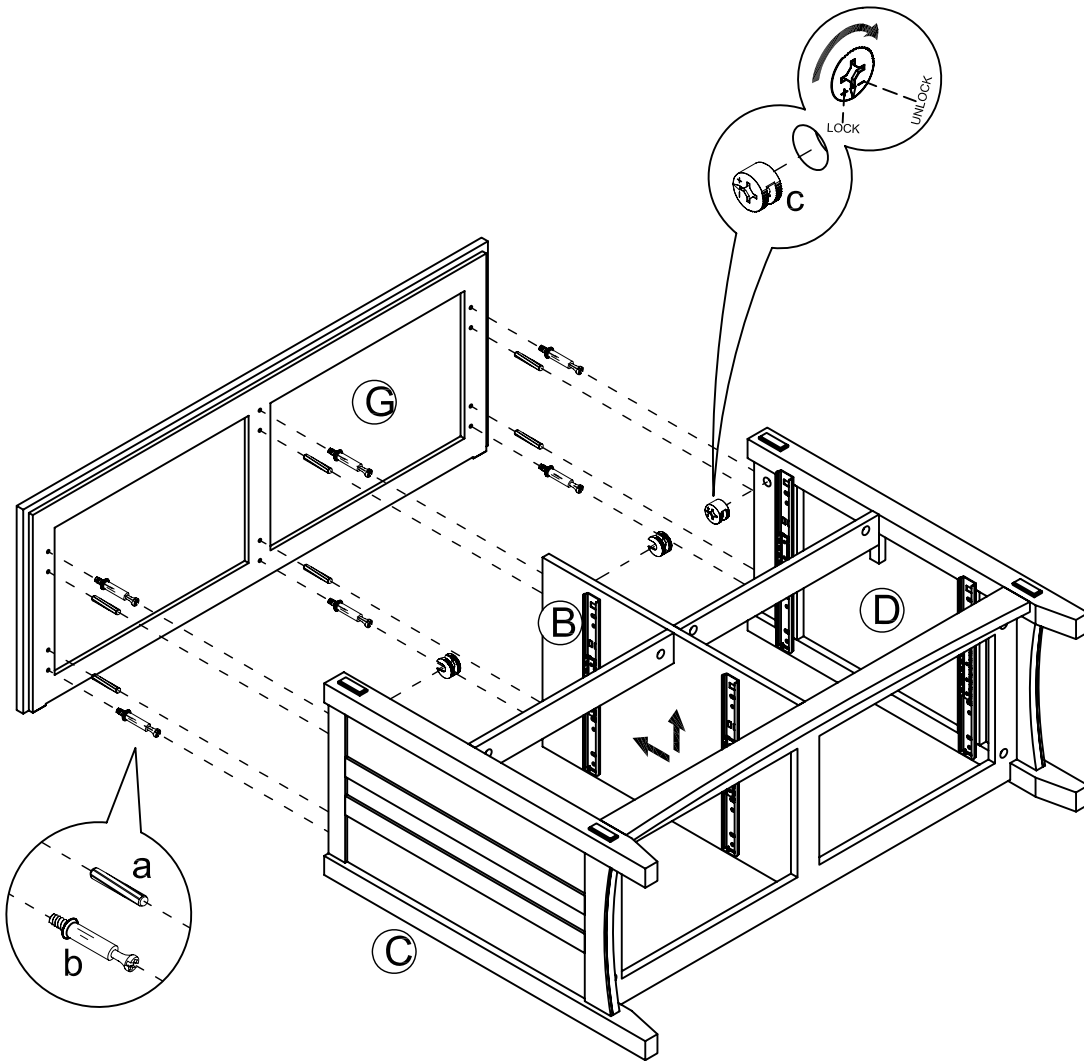
- INSTALL THE WOOD DOWEL (a) AND THE CAM LOCK BOLT (b) INTO THE BOTTOM FRAME (A).
- JOIN THE BOTTOM FRAME (A) TO THE PARTITION (B) BY USING THE WOOD DOWEL (a) FIRST.
- ONCE JOINED, TIGHTEN CAM LOCK (c) ONTO CAM LOCK BOLT (b) USING PRE-DRILLED HOLES.

# FIG 2



- INSTALL THE WOOD DOWEL (a) AND THE CAM LOCK BOLT (b) INTO THE LEFT SIDE PANEL (C), THE RIGHT SIDE PANEL (D), AND THE PARTITION (B) .
- JOIN THE FRONT CROSS BAR (E) TO THE ASSEMBLED PART BY USING THE WOOD DOWEL (a) FIRST.
- ONCE JOINED, TIGHTEN CAM LOCK (c) ONTO CAM LOCK BOLT (b) USING PRE-DRILLED HOLES.
- JOIN THE LEFT SIDE PANEL (C) AND THE RIGHT SIDE PANEL (D) TO THE ASSEMBLED PART AND THE FRONT CROSS BAR (E) BY USING THE WOOD DOWEL (a) FIRST.
- ONCE JOINED, TIGHTEN CAM LOCK (c) ONTO CAM LOCK BOLT (b) USING PRE-DRILLED HOLES.

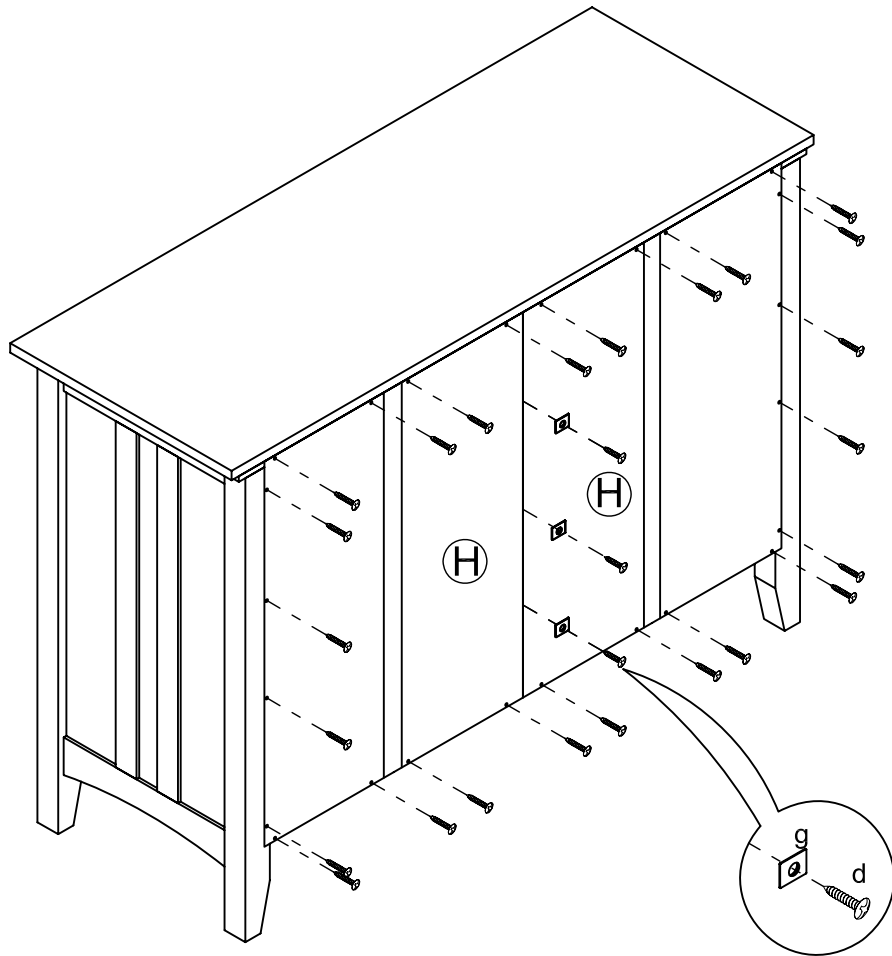
FIG 3



- INSTALL THE WOOD DOWEL (a) AND THE CAM LOCK BOLT (b) INTO THE TOP PANEL (G) .
- JOIN THE TOP PANEL (G) TO THE ASSEMBLED PART BY USING THE WOOD DOWEL (a) FIRST.
- ONCE JOINED, TIGHTEN CAM LOCK (c) ONTO CAM LOCK BOLT (b) USING PRE-DRILLED HOLES.

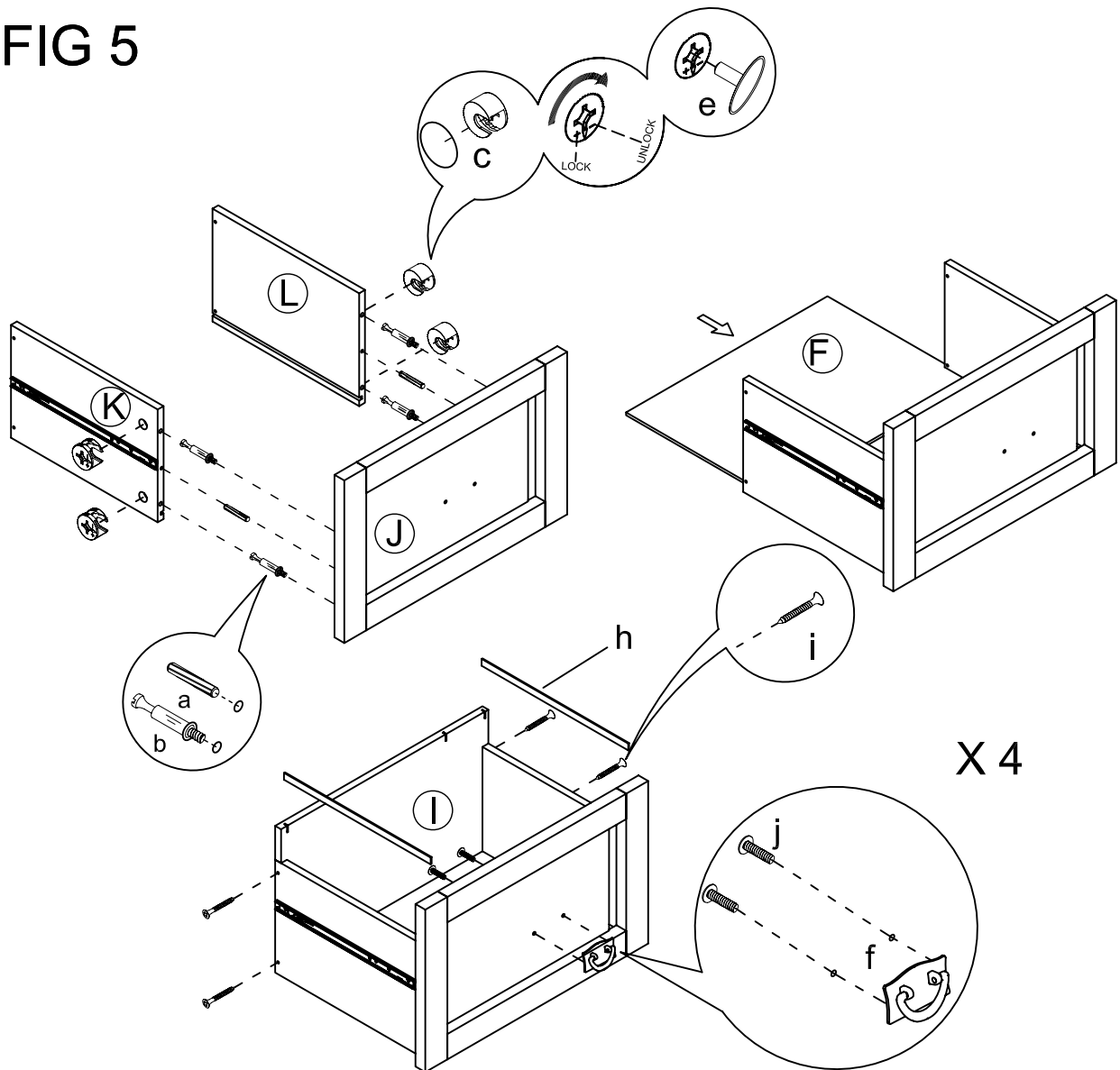


# FIG 4



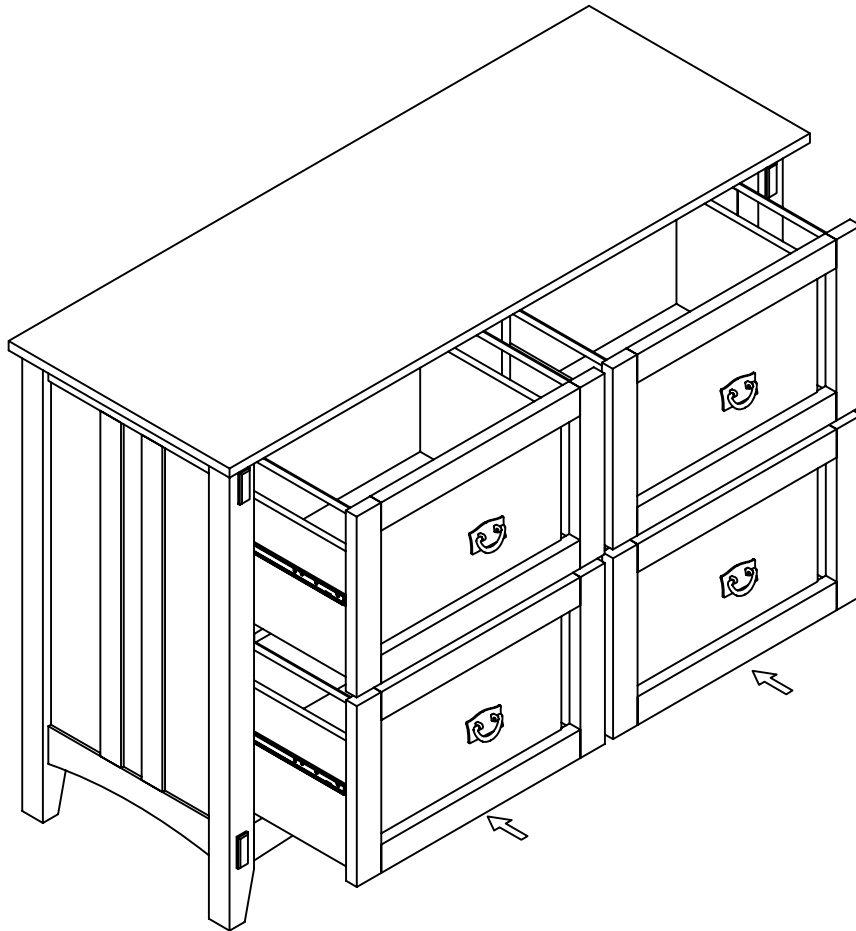
- TIGHTEN THE BACK PANEL (H) AND THE METAL PLATE (g) TO THE ASSEMBLED PART BY USING THE 5/8" ROUND HEAD SCREW (d).

# FIG 5



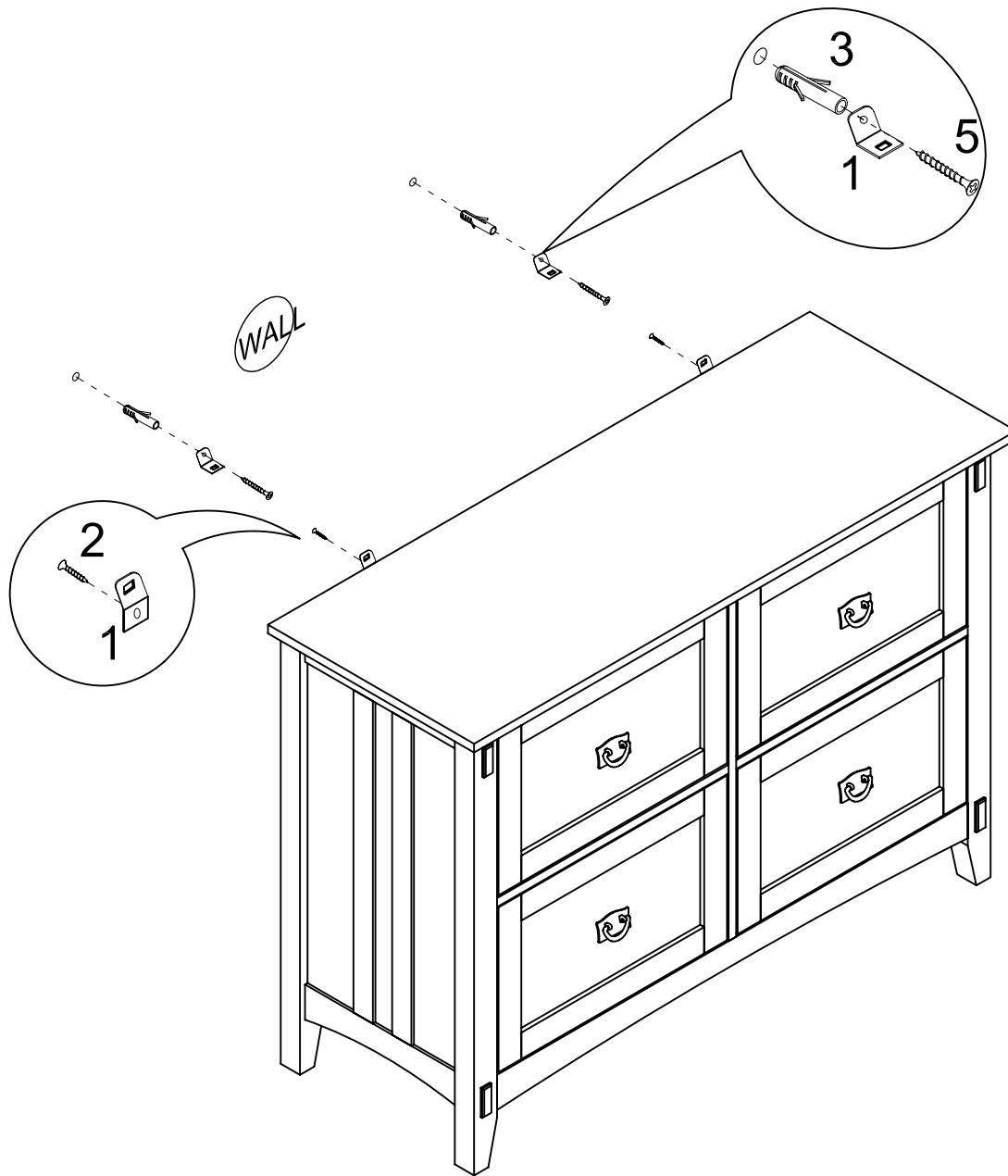
- INSTALL THE WOOD DOWEL (a) AND THE CAM LOCK BOLT (b) INTO THE DRAWER FRONT PANEL (J).
- JOIN THE DRAWER LEFT SIDE PANEL (K) AND THE DRAWER RIGHT SIDE PANEL (L) TO THE DRAWER FRONT PANEL (J).
- ONCE JOINED, TIGHTEN CAM LOCK (c) ONTO CAM LOCK BOLT (b) USING PRE-DRILLED HOLES.
- COVER CAM HOLES WITH THE SHORT PLASTIC COVER (e).
- SLIDE THE DRAWER BOTTOM PANEL (F) INTO THE GROOVES ON THE DRAWER LEFT SIDE PANEL (K) AND THE DRAWER RIGHT SIDE PANEL (L).
- JOIN THE DRAWER BACK PANEL (I) TO THE ASSEMBLED DRAWER PART AND TIGHTEN THE DRAWER BACK PANEL (I) BY USING THE 1" FLAT HEAD SCREW (i) THROUGH THE PRE-DRILLED HOLES ON THE SIDE PANELS.
- TIGHTEN THE HANDLE (f) TO THE DRAWER FRONT PANEL (J) BY USING THE HANDLE BOLT (j).
- PLACE THE METAL BAR (h) INTO THE DRAWER FRONT PANEL (J) AND THE DRAWER BACK PANEL (I).
- REPEAT STEPS ABOVE FOR THE OTHER THREE DRAWERS.

FIG 6



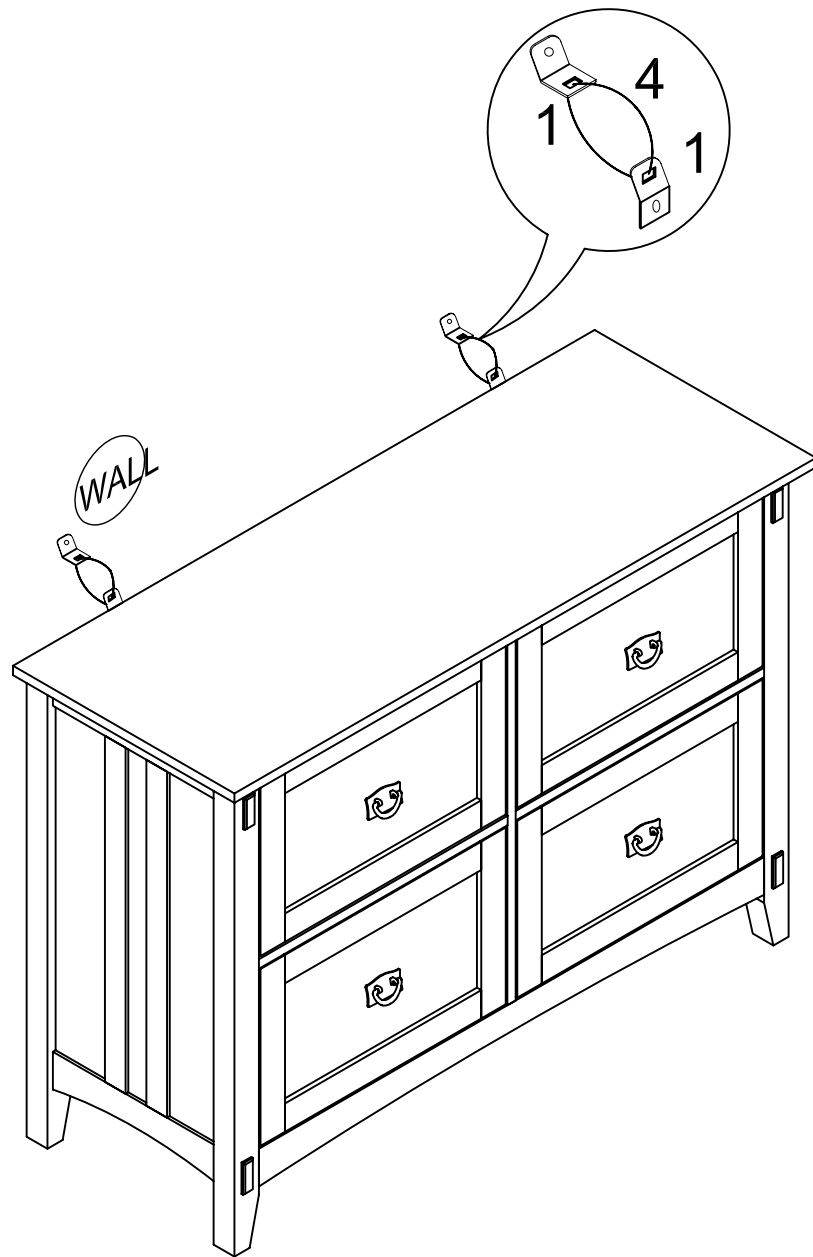
- INSERT DRAWERS INTO THE ASSEMBLED UNIT.

# FIG 7



- TIGHTEN THE RECTANGLE METAL PLATE (1) TO THE REAR OF THE TOP PANEL (G) BY USING 1/2" FLAT HEAD SCREW (2).
- PLACE THE ASSEMBLED FILE CONSOLE AT THE DESIRED POSITION. MARK THE INSERTION POINTS FOR THE PLASTIC ANCHOR (3).
- USING THE PROPER HARDWARE FOR YOUR WALL TYPE, DRILL 1/4" HOLES INTO THE WALL.
- TIGHTEN THE RECTANGLE METAL PLATE (1) TO THE PLASTIC ANCHOR (3) BY USING THE 1-1/2" FLAT HEAD SCREW (5).

FIG 8



- USING THE PLASTIC BAND (4) CONNECT TWO RECTANGLE METAL PLATES (1).