



REGISTER YOUR TOOLS
<http://register.ryobitools.com>
 1-800-860-4050

OPERATOR'S MANUAL

MANUEL D'UTILISATION
 MANUAL DEL OPERADOR

18 VOLT POLE SAW

SCIE DE MANCHE 18 V

SIERRA DE PÉRTIGA DE 18 V

P4360/P4360VNM

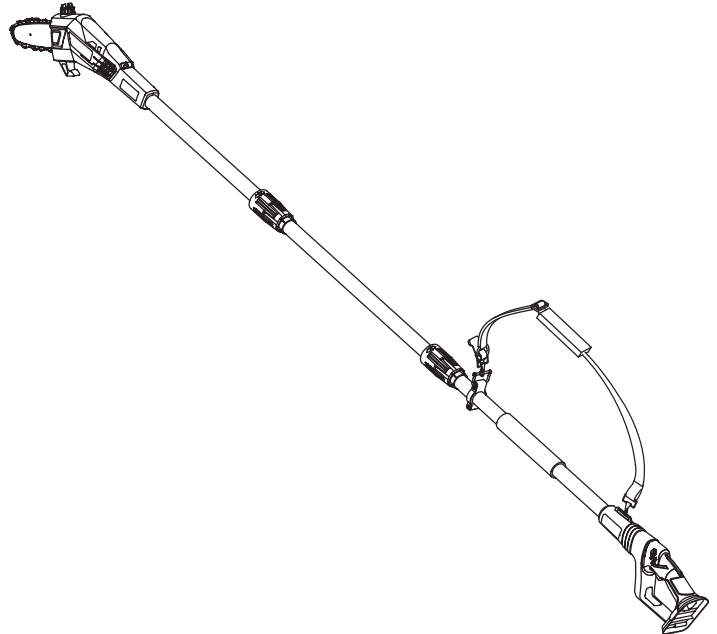


TABLE OF CONTENTS

- Important Safety Instructions..... 2-3
- Specific Safety Rules 3-4
- Symbols 5-6
- Features 7-8
- Assembly 8-10
- Operation 10-13
- Maintenance 14-18
- Troubleshooting 19
- Parts Ordering/Service..... Back Page

TABLE DES MATIÈRES

- Instructions importantes concernant la sécurité..... 2-3
- Règles de sécurité particulières..... 3-4
- Symboles 5-6
- Caractéristiques..... 7-8
- Assemblage 8-10
- Utilisation 10-13
- Entretien 14-19
- Dépannage..... 19
- Commande de pièces/ réparation..... Page arrière

ÍNDICE DE CONTENIDO

- Instrucciones de seguridad importantes 2-3
- Reglas de seguridad específicas 3-4
- Símbolos 5-6
- Características 7-8
- Armado 8-10
- Funcionamiento 10-13
- Mantenimiento 14-19
- Solución de problemas 19
- Pedidos de piezas/ servicio..... Pág. posterior

⚠ WARNING: To reduce the risk of injury, the user must read and understand the operator's manual before using this product.

⚠ AVERTISSEMENT : Pour réduire les risques de blessures, l'utilisateur doit lire et veiller à bien comprendre le manuel d'utilisation avant d'employer ce produit.

⚠ ADVERTENCIA: Para reducir el riesgo de lesiones, el usuario debe leer y comprender el manual del operador antes de usar este producto.

SAVE THIS MANUAL FOR FUTURE REFERENCE

CONSERVER CE MANUEL POUR FUTURE RÉFÉRENCE

GUARDE ESTE MANUAL PARA FUTURAS CONSULTAS

IMPORTANT SAFETY INSTRUCTIONS

WARNING:

Read and understand all instructions. Failure to follow all instructions listed below may result in electric shock, fire, and/or serious personal injury.

READ ALL INSTRUCTIONS

- For safe operation, read and understand all instructions before using this product. Be familiar with all controls and proper use of the machine. Follow all safety instructions. Failure to follow all safety instructions listed below, can result in serious personal injury.
- Do not allow children or untrained individuals to use this unit.
- Thoroughly inspect the area where the equipment is to be used and remove all foreign objects.
- Wear eye protection with side shields, which is marked to comply with ANSI Z87.1, along with head protection when operating this equipment.
- Dress Properly — Wear heavy long pants, long sleeves, boots, and gloves. Do not wear loose fitting clothing, short pants, sandals, or go bare-foot. Do not wear jewelry of any kind.
- Secure long hair above shoulder level to prevent entanglement in moving parts.
- Keep Children Away — Keep all bystanders, children, and pets at least 50 ft. away.
- Stay Alert — Watch what you are doing; use common sense. Do not operate this unit when you are tired, ill, upset, or under the influence of alcohol, drugs, or medication.
- Do not operate in poor lighting.
- Use Safety Glasses — Always use face or dust mask if operation is dusty.
- Disconnect Appliance — Remove battery from appliance when not in use, before servicing, when changing accessories such as bar chain.
- Don't Overreach — Keep proper footing and balance at all times. Overreaching can result in loss of balance or exposure to hot surfaces.
- Keep all parts of your body away from any moving part.
- Inspect the unit before each use for loose fasteners, etc. Replace any damaged parts before use.
- When not in use, product should be stored indoors in a dry, locked up place — out of the reach of children.
- Use only original manufacturer's replacement parts. Failure to do so may cause poor performance, possible injury, and will void your warranty.
- Do not, under any circumstance, use any attachment or accessory on this product which was not provided with the product or identified as appropriate for use with this product in the operator's manual.
- Avoid Dangerous Environments — Do not use the product in damp or wet locations. Do not use in rain.
- Stop the motor, wait until all moving parts come to a complete stop, and remove the battery pack before cleaning or performing any maintenance.
- Never use water or any liquids to clean or rinse off your product and do not expose the product to rain or wet conditions. Store indoors in a dry area. Corrosive liquids, water, and chemicals can enter the product's electronic components and/or battery compartment and damage electronic components and/or the battery pack, which can result in a short circuit, increased risk of fire, and serious personal injury. Remove any buildup of dirt and debris by wiping the product clean with a dry cloth occasionally.
- Use the Right Appliance — Do not use the product for any job except that for which it is intended.
- Do not operate from steps, a ladder, rooftop, tree, or unstable support. Stable footing on a solid surface enables better control of the product in unexpected situations.
- Do not force the product. It will do the job better and with less likelihood of a risk of injury at the rate for which it was designed.
- **DANGER** — Keep hands away from cutting area. Keep both hands on handles when power is on.

IMPORTANT SAFETY INSTRUCTIONS

- **CAUTION** — Blade coasts after being turned off.
- Do not grasp the exposed cutting blades or cutting edges when picking up or holding the product.
- Check Damaged Parts — Before further use of the product, a guard or other part that is damaged should be carefully checked to determine

that it will operate properly and perform its intended function. Check for alignment of moving parts, binding of moving parts, breakage of parts, mounting, and any other condition that may affect its operation. A guard or other part that is damaged should be properly repaired or replaced by an authorized service center unless indicated elsewhere in this manual.

SPECIFIC SAFETY RULES

- Kickback is a dangerous reaction that can lead to serious injury. Kickback may occur when the moving chain contacts an object at the upper portion of the tip of the guide bar or when the wood closes in and pinches the chain in the cut. Contact at the upper portion of the tip of the guide bar can cause the chain to dig into the object and stop the chain for an instant. The result is a lightning-fast, reverse reaction which kicks the guide bar up and back toward the operator. If the chain is pinched along the top of the guide bar, the guide bar can be driven rapidly back toward the operator, which can cause loss of control and may result in serious injury. Do not rely exclusively upon the safety devices built into the product.

With a basic understanding of kickback, you can reduce or eliminate the element of surprise. Sudden surprise contributes to accidents.

- Use pole saw for cutting wood only. Do not use for cutting non-wood items.
- Make sure that the area in which you are cutting is free from obstructions. Do not let the nose of the guide bar contact a log, branch, fence, or any other obstruction while you are operating the unit. Have a planned retreat path.
- Cut only when visibility and light are adequate for you to see clearly.
- To protect yourself from electrocution, do not operate within 50 feet of overhead electrical lines.

- In an emergency situation, use the spring clips on the quick release shoulder harness to free yourself from the harness and the pole saw.
- **WARNING** — Do not operate near electrical power lines. The unit has not been designed to provide protection from electric shock in the event of contact with overhead electric lines. Consult local regulations for safe distances from overhead electric power lines and ensure that the operating position is safe and secure before operating the saw chain pole pruner.
- Before starting the motor, make sure the chain is not contacting any object.
- To protect yourself from falling branches, do not stand directly under the branch or limb being cut. This unit should not be held at an angle over 60° from ground level.
- Turn off the motor and make sure cutting attachment has stopped before setting unit down.
- Follow the sharpening and maintenance instructions for the saw chain.
- Use only the replacement guide bars and low kickback chains specified for the unit.
- Do not operate the saw with one hand! Serious injury to the operator, helpers, bystanders, or any combination of these persons may result from one hand operation. This saw is intended for two-handed use.
- Use extreme caution when cutting small-sized brush and saplings because slender material may catch the saw chain and be whipped toward you or pull you off balance.




SPECIFIC SAFETY RULES

- When cutting a limb that is under tension, be alert for spring back so that you will not be struck when the tension in the wood fibers is released.
- To avoid accidental starting, never carry the unit with the battery installed or with your finger on the switch trigger.
- **Maintain Product With Care** — Keep cutting edge sharp and clean for best performance and to reduce the risk of injury. Follow instructions for lubricating and changing accessories. Inspect the battery charger cord periodically, and if damaged, have it replaced or repaired by an authorized service dealer.
- Keep handles dry, clean, and free from oil and grease.
- Service on the product must be performed by qualified repair personnel only. Service or maintenance performed by unqualified personnel could result in injury to the user or damage to the product.
- Battery operated units do not have to be plugged into an electrical outlet; therefore, they are always in operating condition. Be aware of possible hazards even when unit is not operating.
- Remove the battery pack from the pole saw before cleaning, servicing, storing, removing material from the unit, changing accessories such as the bar and chain, or when not in use.
- A battery pack must be recharged only with the specified charger for the battery pack. A charger that may be suitable for one type of battery pack may create a risk of fire when used with another battery pack. Use battery pack only with charger listed.
- Use this product only with batteries and chargers listed in tool/appliance/battery pack/charger correlation supplement 987000-432.
- To reduce the risk of explosion and possible injury, do not place battery units or their batteries near fire or heat.
- Do not open or mutilate the battery pack. Released electrolyte is corrosive and may cause damage to the eyes or skin. It may be toxic if swallowed.
- Do not charge appliance in rain, or in wet locations.
- Do not charge unit in a damp or wet location. Following this rule will reduce the risk of electric shock.
- Do not dispose of batteries in a fire. The cell may explode. Batteries should be recycled, consult your local waste authority for information regarding available recycling and/or disposal options.
- Exercise care in handling batteries in order not to short terminals. When battery pack is not in use, keep it away from other metal objects like: paper clips, coins, keys, nails, screws, or other small metal objects that can make a connection from one terminal to another. Shorting the battery pack terminals together may cause sparks, burns, or a fire.
- Save these instructions. Refer to them frequently and use them to instruct others who may use this product. If you loan someone this product, loan them these instructions also to prevent misuse of the product and possible injury.







SAVE THESE INSTRUCTIONS

SYMBOLS

The following signal words and meanings are intended to explain the levels of risk associated with this product.





SYMBOL	SIGNAL	MEANING
	DANGER:	Indicates a hazardous situation, which, if not avoided, will result in death or serious injury.
	WARNING:	Indicates a hazardous situation, which, if not avoided, could result in death or serious injury.
	CAUTION:	Indicates a hazardous situation, that, if not avoided, may result in minor or moderate injury.
	NOTICE:	(Without Safety Alert Symbol) Indicates information considered important, but not related to a potential injury (e.g. messages relating to property damage).

Some of the following symbols may be used on this product. Please study them and learn their meaning. Proper interpretation of these symbols will allow you to operate the product better and safer.

SYMBOL	NAME	EXPLANATION
	Safety Alert Symbol	Indicates a potential personal injury hazard.
	Read Operator's Manual	To reduce the risk of injury, user must read and understand operator's manual before using this product.
	Wear Eye and Head Protection	Always wear eye protection with side shields marked to comply with ANSI Z87.1, along with head protection when operating this equipment.
	Wet Conditions Alert	Do not expose battery, battery compartment, or electronic components to rain, water, or liquids. Do not charge battery or expose product to rain or damp locations.
	Gloves	Wear non-slip, heavy-duty protective gloves when handling the pole saw and the blade.
	Safety Footwear	Wear non-slip safety footwear when using this equipment.

SYMBOLS

Some of the following symbols may be used on this product. Please study them and learn their meaning. Proper interpretation of these symbols will allow you to operate the product better and safer.

SYMBOL	NAME	EXPLANATION
	Keep Tool Away from Electrical Lines/Keep Bystanders Away	DANGER! Risk of electrocution! Keep tool 50 feet away from electrical lines. Keep all bystanders at least 50 ft. away.
	Electric Shock	Failure to use in dry conditions and to observe safe practices can result in electric shock.
	No Hands Symbol	Failure to keep your hands away from the blade will result in serious personal injury.
	Recycle Symbol	This product uses lithium-ion batteries. Local, state or federal laws may prohibit disposal of batteries in ordinary trash. Consult your local waste authority for information regarding available recycling and/or disposal options.
V	Volts	Voltage
— —	Direct Current	Type or a characteristic of current

FEATURES

PRODUCT SPECIFICATIONS

Motor.....	18 Volt DC
Bar Length.....	8 in.
Cutting Capacity.....	6 in.
Chain Pitch.....	3/8 in.
Chain Type.....	Low Profile Skip Tooth Narrow Kerf

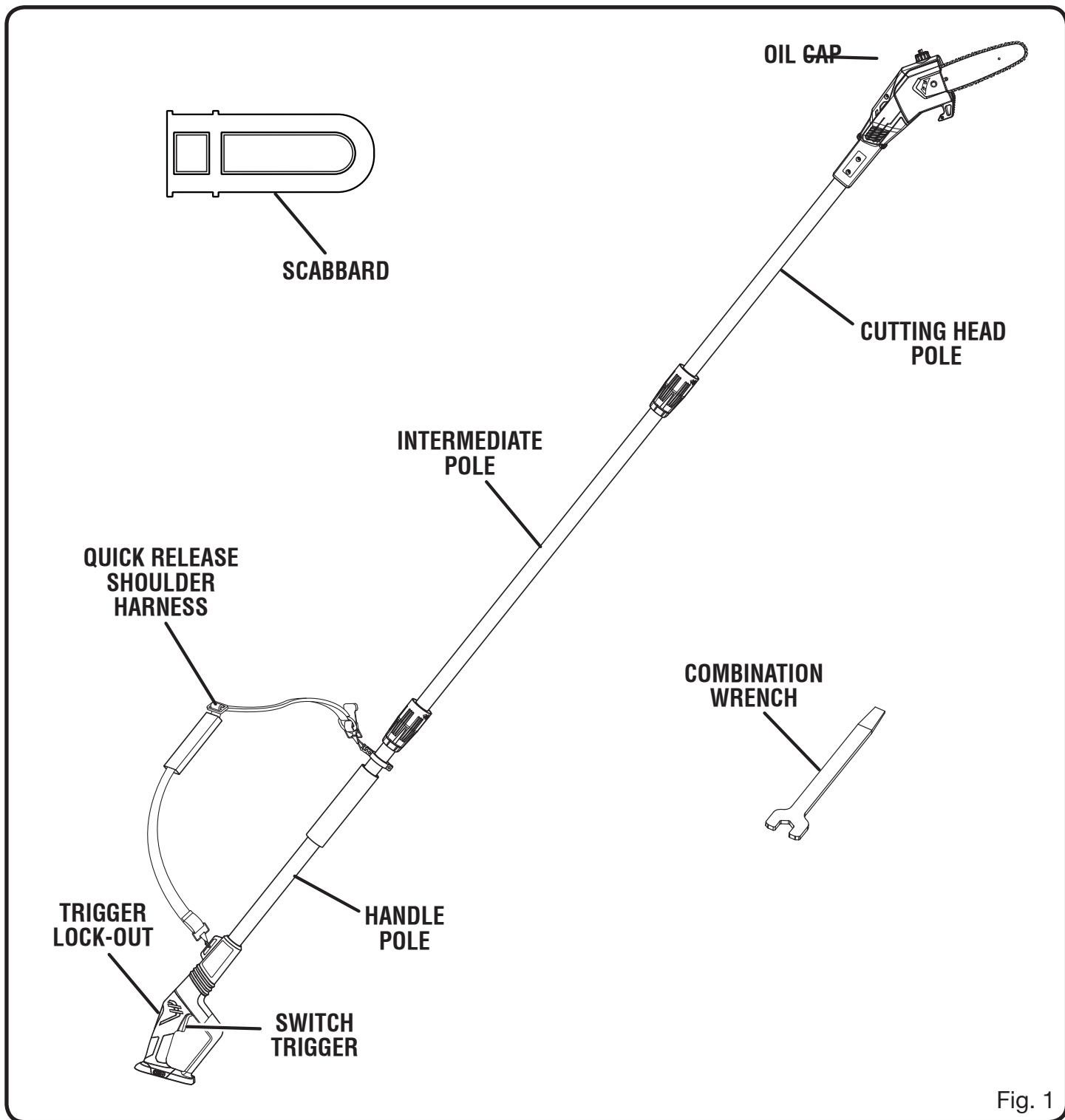


Fig. 1

FEATURES

KNOW YOUR POLE SAW

See Figure 1.

The safe use of this product requires an understanding of the information on the product and in this operator's manual as well as a knowledge of the project you are attempting. Before use of this product, familiarize yourself with all operating features and safety rules.

QUICK-VIEW OIL INDICATOR

Semi-transparent bar lube reservoir that allows user to see when to add lubricant.

SCABBARD

The scabbard keeps the operator from coming in contact with the sharp blades when the tool is not in use. It also helps keep the blades from being nicked or damaged when the tool is in storage.

TRIGGER LOCK-OUT

The trigger lock-out prevents unintentional starting of the pole saw.

ASSEMBLY

UNPACKING

This product requires assembly.

- Carefully remove the product and any accessories from the box. Make sure that all items listed in the **Packing List** are included.

WARNING:

Do not use this product if any parts on the **Packing List** are already assembled to your product when you unpack it. Parts on this list are not assembled to the product by the manufacturer and require customer installation. Use of a product that may have been improperly assembled could result in serious personal injury.

- Inspect the product carefully to make sure no breakage or damage occurred during shipping.
- Do not discard the packing material until you have carefully inspected and satisfactorily operated the product.
- If any parts are damaged or missing, please call 1-800-860-4050 for assistance.

PACKING LIST

Cutting Head Pole
Intermediate Pole
Handle Pole
Scabbard
Combination Wrench
Quick Release Shoulder Harness
Operator's Manual

WARNING:

If any parts are damaged or missing, do not operate this product until the parts are replaced. Use of this product with damaged or missing parts could result in serious personal injury.

WARNING:

Do not attempt to modify this product or create accessories not recommended for use with this product. Any such alteration or modification is misuse and could result in a hazardous condition leading to possible serious personal injury.

ASSEMBLY

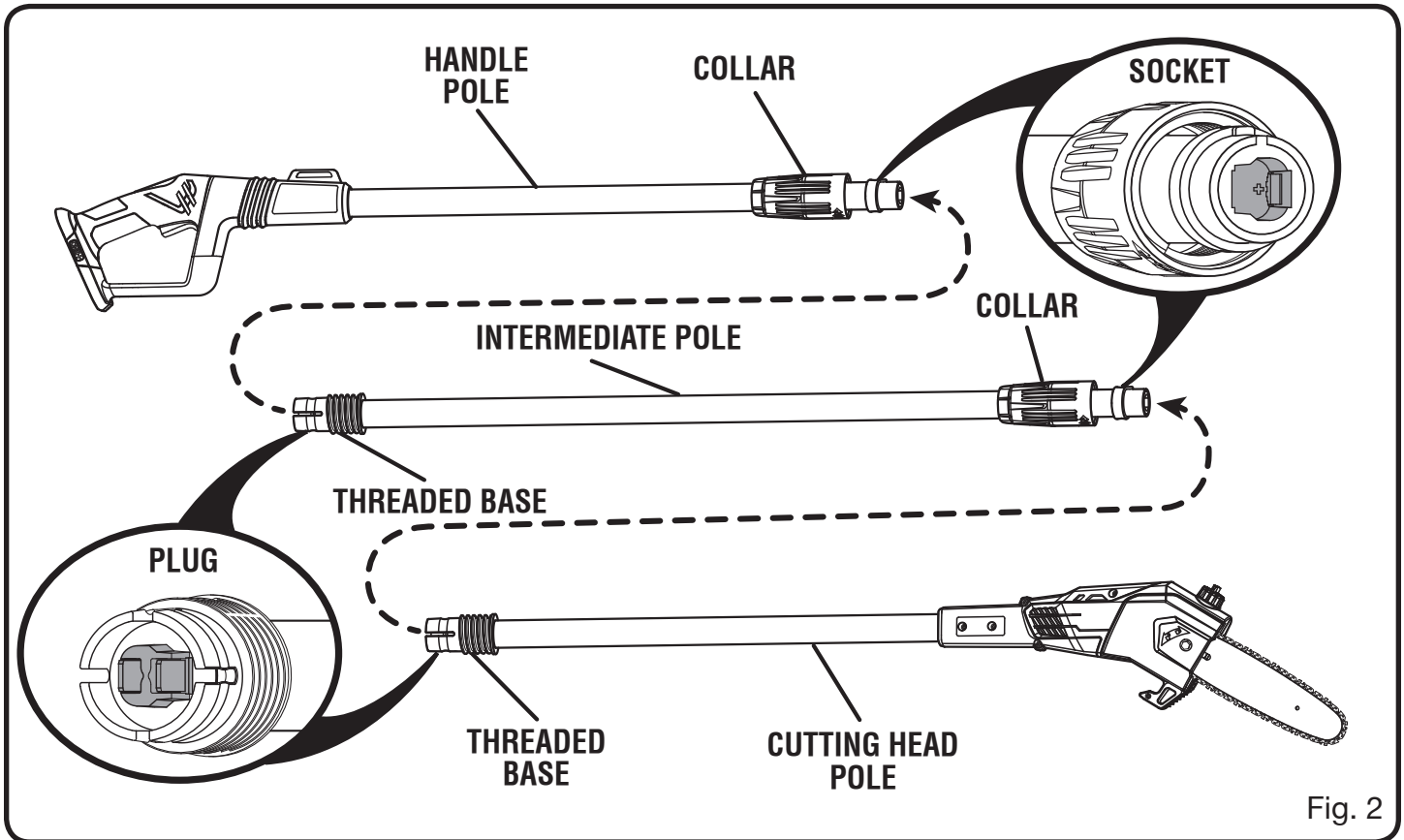


Fig. 2

⚠ WARNING:

To prevent accidental starting that could cause serious personal injury, always remove the battery pack from the product when assembling parts.

CONNECTING THE POLES

See Figure 2.

- Insert the plug on the intermediate pole into the socket on the handle pole and push together until fully seated. The plug is larger on one side and will only install one way.

- Lower the collar on the handle pole to the threaded base on the intermediate pole and rotate clockwise to secure.
- Repeat this process to attach the intermediate pole to the cutting head pole.

NOTE: When assembled correctly, handle pole and cutting head pole should not be able to separate from intermediate pole when pulled. Repeat above steps if poles can be separated from intermediate pole.

⚠ WARNING:

Failure to securely assembly and lock all poles together as directed above could cause the poles to separate and could result in serious personal injury or death.

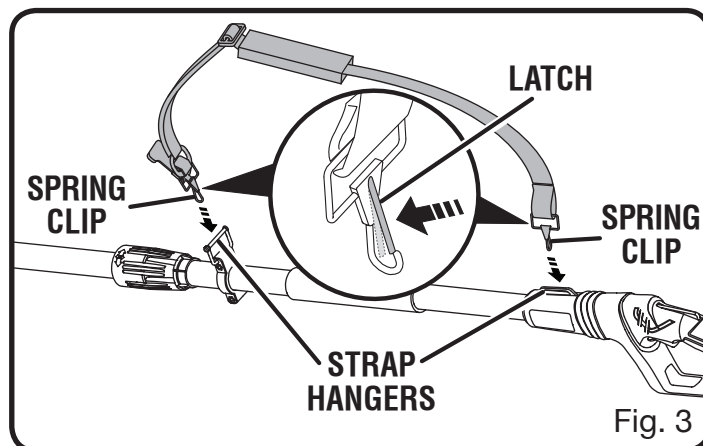
ASSEMBLY

ATTACHING THE QUICK RELEASE SHOULDER HARNESS

See Figure 3.

To prevent back and shoulder fatigue, always use the quick release shoulder harness when operating this tool. If your back or shoulders become sore, take a break and then adjust the position of the harness.

- Squeeze and hold the latch on the spring clip.
- Place the spring clip onto the strap hanger and release the latch.
- Repeat to secure second spring clip.
- Place the strap around your shoulder and adjust it to a comfortable position.



OPERATION

⚠ DANGER:

Never cut near power lines, electric cords, or other electric sources. If bar and chain jams on any electrical cord or line, **DO NOT TOUCH THE BAR OR CHAIN! THEY CAN BECOME ELECTRICALLY LIVE AND VERY DANGEROUS.** Continue to hold the pole saw by the insulated rear handle or lay it down and away from you in a safe manner. Disconnect the electrical service to the damaged line or cord before attempting to free the bar and chain from the line or cord. Contact with the bar, chain, other conductive parts of the pole saw, or live electric cords or lines will result in death by electrocution or serious injury.

⚠ WARNING:

Do not allow familiarity with this product to make you careless. Remember that a careless fraction of a second is sufficient to inflict serious injury.

⚠ WARNING:

Always wear eye protection with side shields marked to comply with ANSI Z87.1, along with head protection. Failure to do so could result in objects being thrown into your eyes and other possible serious injuries.

⚠ WARNING:

Do not use any attachments or accessories not recommended by the manufacturer of this product. The use of attachments or accessories not recommended can result in serious personal injury.

NOTICE:

Before each use, inspect the entire product for damaged, missing, or loose parts such as screws, nuts, bolts, caps, etc. Tighten securely all fasteners and caps and do not operate this product until all missing or damaged parts are replaced. Please contact customer service or an authorized service center for assistance.

APPLICATIONS

You may use this product for the purposes listed below:

- Limbing
- Pruning

OPERATION

ADDING BAR AND CHAIN LUBRICANT (NOT INCLUDED)

See Figure 4.

Use Premium Bar and Chain Lubricant (not included). It is designed for chains and chain oilers, and is formulated to perform over a wide temperature range with no dilution required.

NOTE: Pole saw comes from the factory with no bar and chain lubricant added. Level should also be checked after every 20 minutes of use and refilled as needed.

- Remove oil cap.
- Carefully pour the bar and chain lubricant into the bar lube reservoir.
- Wipe off excess oil.
- Check and fill the reservoir when quick view oil indicator is below the second to last indicator line.
- Repeat as needed.

NOTE: Do not use dirty, used or otherwise contaminated oils. Damage may occur to the bar or chain.

NOTE: It is normal for oil to seep from the saw when not in use. To prevent seepage, empty the oil tank after each use then run for one minute. When storing the unit for a long period of time (three months or longer) be sure the chain is lightly lubricated; this will prevent rust on the chain and bar sprocket.

TO INSTALL/REMOVE BATTERY PACK

See Figure 5.

⚠ WARNING:

Always remove battery pack from your tool when you are assembling parts, making adjustments, cleaning, carrying, transporting or when not in use. Removing battery pack will prevent accidental starting that could cause serious personal injury.

NOTE: To avoid serious personal injury, always remove the battery pack and keep hands clear of the lock-out button when carrying or transporting the tool.

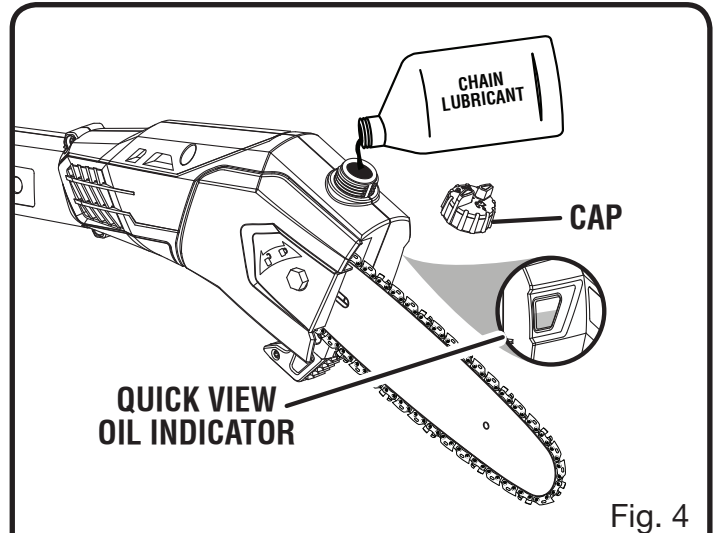


Fig. 4

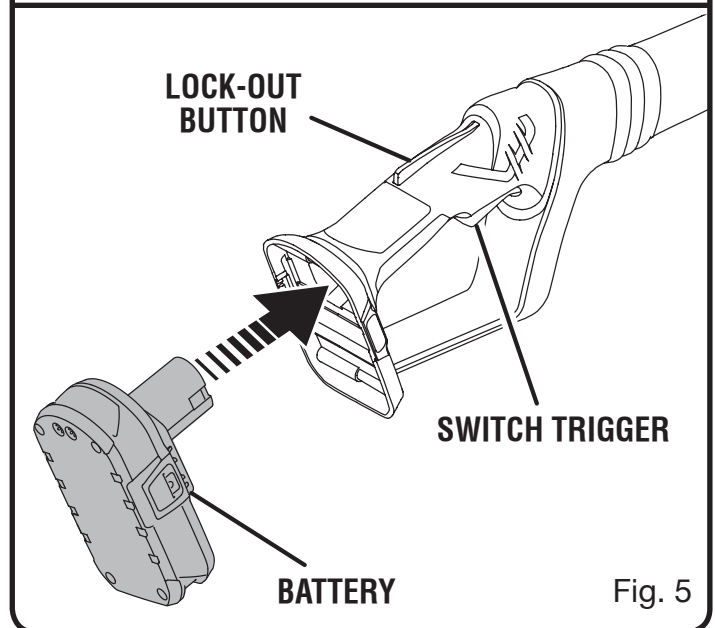


Fig. 5

To install:

- Place the battery pack in the pole saw. Align raised rib on battery pack with groove in battery port.

⚠ WARNING:

Make sure the latches on the battery pack snap in place and the battery pack is fully seated and secure in the battery port before beginning operation. Failure to securely seat the battery pack could cause the battery pack to fall out, resulting in serious personal injury.

OPERATION

To remove:

Locate latches on side of battery pack and depress both sides to release the battery pack from the pole saw.

For complete charging instructions, see the operator's manuals for your battery pack and charger.

STARTING AND STOPPING

See Figure 5 - 6.

To start the motor:

- Hold the pole saw as shown and ensure that you are well away from anything that may contact the blade.
- Press and hold the trigger lock-out.
- Depress the switch trigger.

To stop the motor:

- Release the trigger to stop the pole saw. Upon release of the trigger, the trigger lock will automatically reset to the locked position.

PREPARATION FOR CUTTING

See Figures 7 - 8.

- Wear non-slip gloves for maximum grip and protection.
- Maintain a proper grip on the unit whenever the motor is running. Use your right hand to firmly grip the rear handle while your left hand has a firm grip on the pole shaft.
- Hold unit firmly with both hands. Always keep your left hand on the pole shaft and your right hand on the rear handle, so your body is to the left of the chain line. Never use a left-handed (cross-handed) grip, or any stance that places your body or arm across the chain line.
- Never stand directly under the limb you are cutting.
- Be certain the collars are fully tightened before operating equipment; check them periodically for tightness during use to avoid serious injury.

BASIC CUTTING PROCEDURE

Follow the steps below to prevent damage to tree or shrub bark. Do not use a back-and-forth sawing motion.

- Make a shallow first cut (1/4 of limb diameter) on the underside of the limb close to the main limb or trunk.

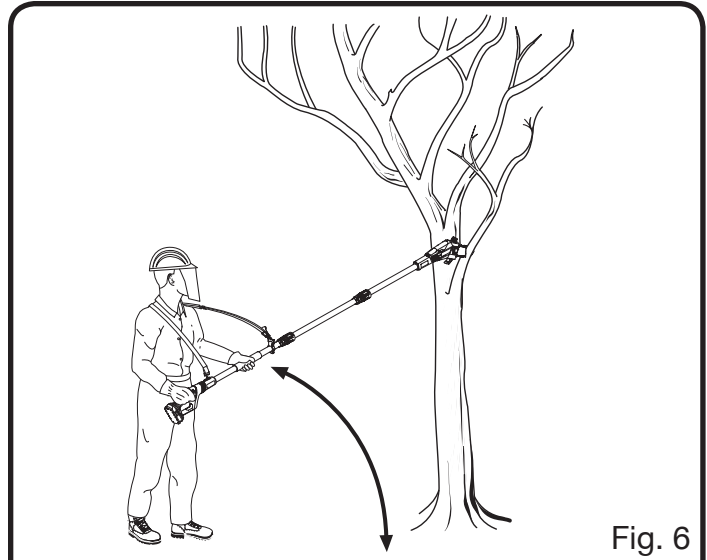


Fig. 6

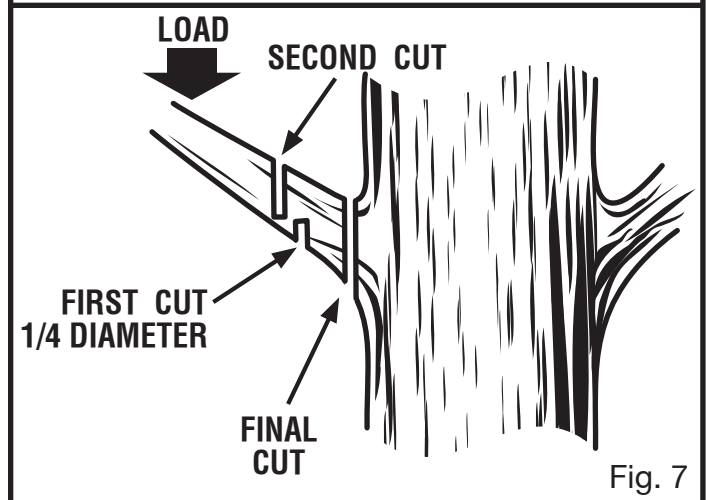


Fig. 7

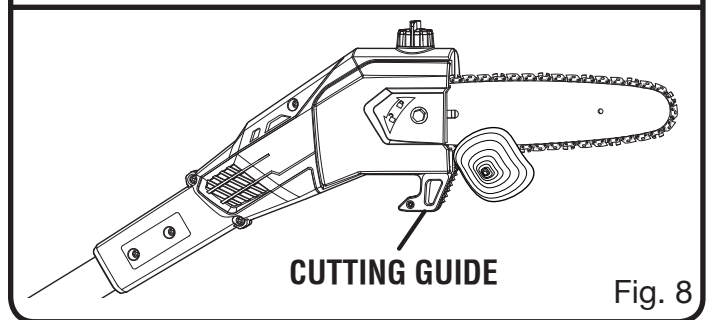


Fig. 8

- Make a second cut from the top side of the limb outboard from the first cut. Continue the cut through the limb until the limb separates from the tree. Be prepared to balance the weight of the tool when the limb falls.
- Make a final cut close to trunk.

NOTE: For second and final cuts (from top of limb or branch), hold front cutting guide against the limb being cut. This will help steady the limb and

OPERATION

make it easier to cut. Allow chain to cut for you; exert only light downward pressure. If you force the cut, damage to the bar, chain, or motor can result.

- Release the trigger as soon as the cut is completed.

Failure to follow proper cutting procedures will result in the bar and chain binding and becoming pinched or trapped in the limb. If this should happen:

- Stop the motor and remove the battery pack.
- If the limb can be reached from the ground, lift the limb while holding the saw. This should release the “pinch” and free the saw.
- If the saw is still trapped, call a professional for assistance.

LIMBING AND PRUNING

See Figures 9 - 10.

This unit is designed for trimming small branches and limbs up to 6 in. in diameter. For best results, observe the following precautions.

- Plan the cut carefully. Be aware of the direction in which the branch will fall.
- Branches may fall in unexpected directions. Do not stand directly under the branch being cut.
- The most typical cutting application is to position the unit at an angle of 60° or less, depending on the specific situation, as shown. As the angle of the pole saw shaft to ground increases, the difficulty of making the first cut (from the underside of limb) increases.
- Remove long branches in several stages.
- Cut lower branches first to allow the top branches more room to fall.
- Work slowly, keeping both hands on the saw with a firm grip. Maintain secure footing and balance.
- Keep the tree between you and the chain while limbing. Cut from side of tree opposite branch you are cutting.

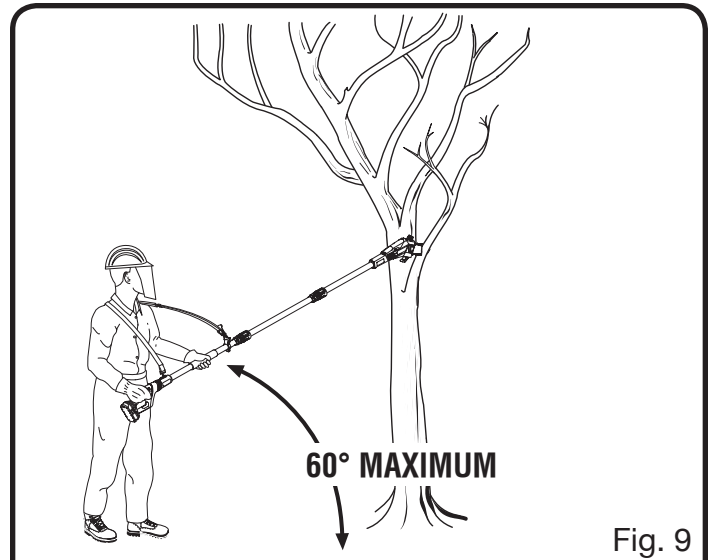


Fig. 9

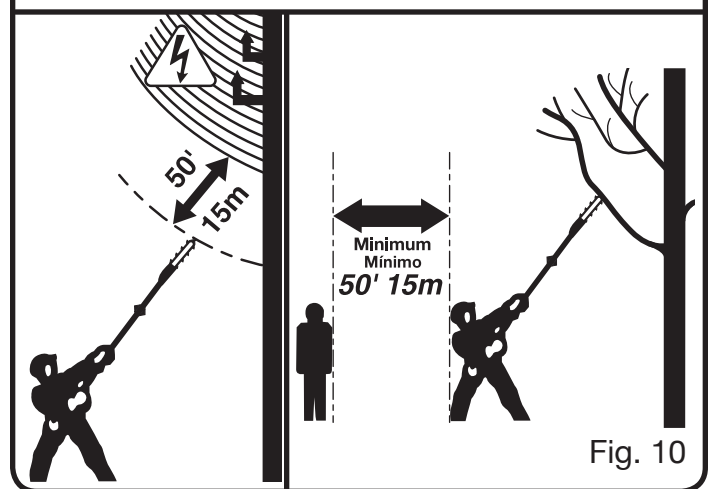


Fig. 10

- Do not cut from a ladder; this is extremely dangerous. Leave this operation for professionals.
- Do not make the flush cut next to the main limb or trunk until you have cut off the limb further out to reduce the weight. Following proper cutting procedures will prevent stripping the bark from the main member.
- Do not use the pole saw for felling or bucking.
- To prevent electrocution, do not operate within 50 ft. of overhead electrical lines.
- Keep bystanders at least 50 ft. away.

MAINTENANCE

⚠ WARNING:

Before inspecting, cleaning, or servicing the unit, stop the motor, wait for all moving parts to stop, and remove the battery pack. Failure to follow these instructions can result in serious personal injury or property damage.

⚠ WARNING:

Always wear eye protection with side shields marked to comply with ANSI Z87.1, along with head protection. Failure to do so could result in objects being thrown into your eyes and other possible serious injuries.

⚠ WARNING:

Never use water or any liquids to clean or rinse off your product and do not expose the product to rain or wet conditions. Store indoors in a dry area. Corrosive liquids, water, and chemicals can enter the product's electronic components and/or battery compartment and damage electronic components and/or the battery pack, which can result in a short circuit, increased risk of fire, and serious personal injury. Remove any buildup of dirt and debris by wiping the product clean with a dry cloth occasionally.

⚠ WARNING:

When servicing, use only identical replacement parts. Use of any other parts could create a hazard or cause product damage.

NOTICE:

Periodically inspect the entire product for damaged, missing, or loose parts such as screws, nuts, bolts, caps, etc. Tighten securely all fasteners and caps and do not operate this product until all missing or damaged parts are replaced. Please contact customer service or an authorized service center for assistance.

GENERAL MAINTENANCE

Avoid using solvents when cleaning plastic parts. Most plastics are susceptible to damage from various types of commercial solvents and may be damaged by their use. Use clean cloths to remove dirt, dust, oil, grease, etc.

⚠ WARNING:

Do not at any time let brake fluids, gasoline, petroleum-based products, penetrating oils, etc., come in contact with plastic parts. Chemicals can damage, weaken, or destroy plastic, which could result in serious personal injury.

All pole saw service, other than the items listed in these maintenance instructions, should be performed by competent pole saw service personnel. (For example, if improper tool is used to hold the flywheel in order to remove the clutch, structural damage to the flywheel could occur and subsequently could cause the flywheel to burst).

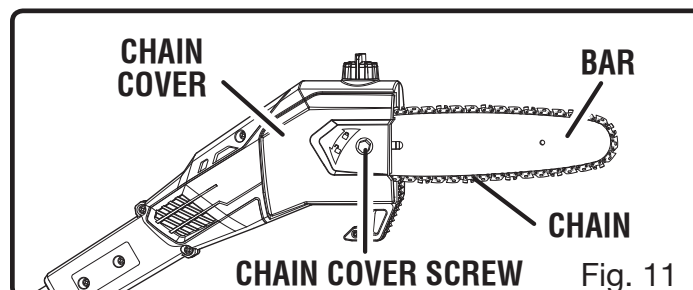
REPLACING THE BAR AND CHAIN

See Figures 11 - 14.

⚠ WARNING:

To avoid possible serious injury, stop the motor and remove the battery pack before replacing the bar, chain, or performing any maintenance operation.

- Using the combination wrench provided, remove the chain cover screw, washer, and chain cover from the chain saw.
- The bar contains a slot that fits over the mounting post. The bar also contains a chain tensioning pin hole which fits over the chain tensioning pin.



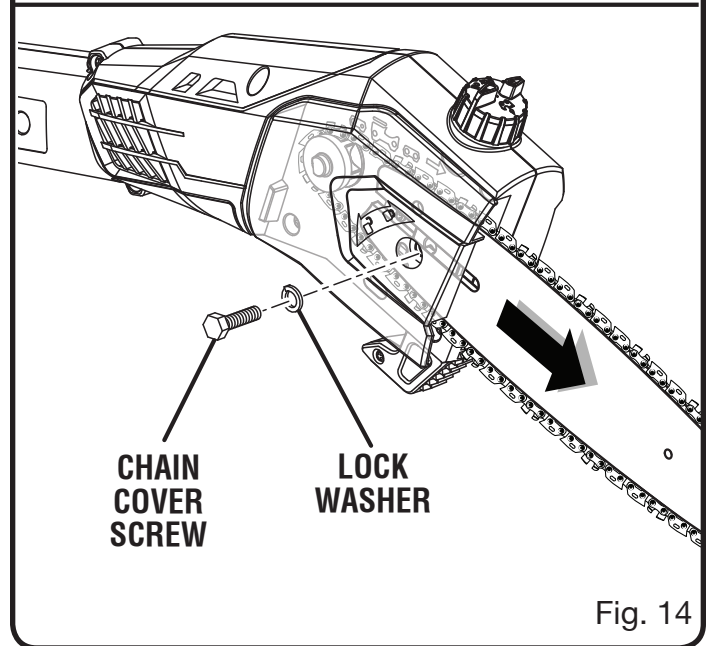
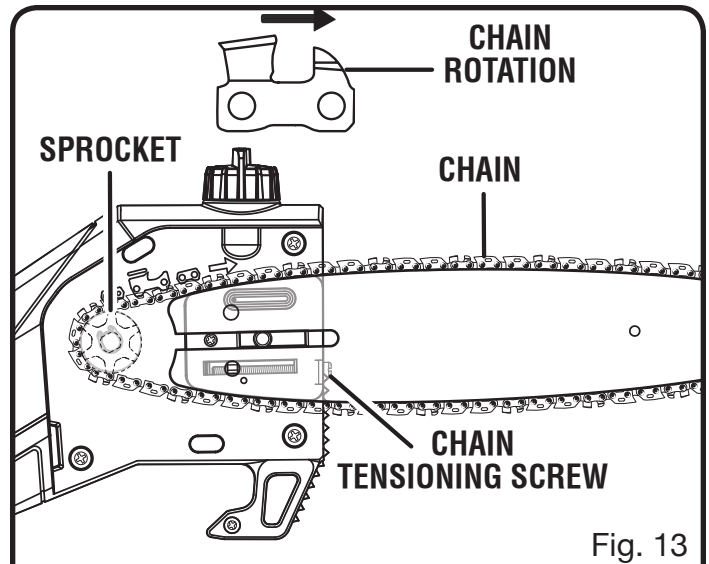
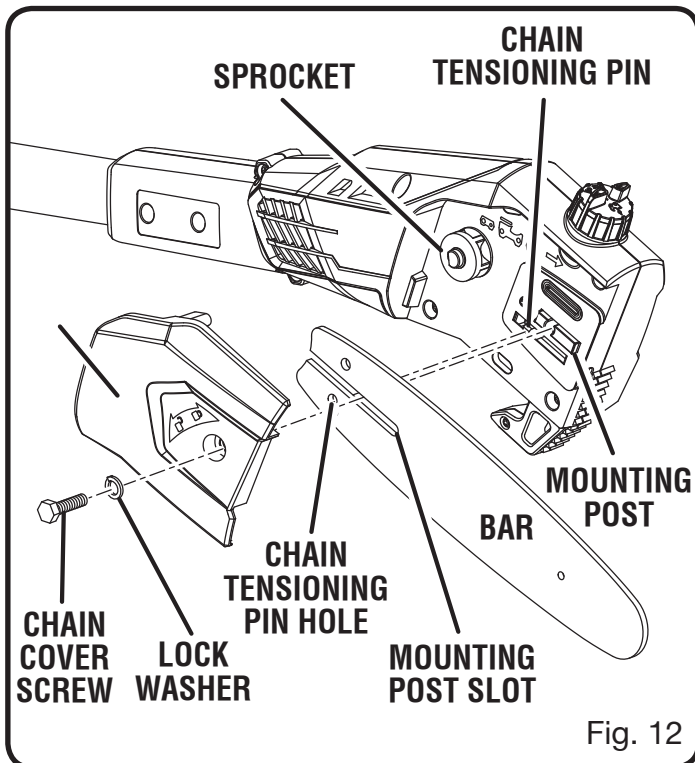
MAINTENANCE

- Place the bar onto the mounting post so that the chain tensioning pin fits into the chain tensioning pin hole.

NOTE: If necessary, rotate the chain tensioning screw counterclockwise until the pin and hole can be aligned.

- Fit the chain over the sprocket and into the bar groove. The cutters on the top of the bar should face toward the bar tip, in the direction of the chain rotation.
- Replace the chain cover and reinstall the washer and screw. Tighten the screw finger tight only. The bar must be free to move for tension adjustment.
- Remove all slack from chain by turning the chain tensioning screw clockwise, assuring that the chain seats into the bar groove during tensioning.
- Tighten the chain cover screw securely.

NOTE: Chain is correctly tensioned when there is no slack on the underside of the bar, the chain is snug, but it can be turned by hand without binding. If chain is too tight, it will not rotate. Loosen the chain cover screw slightly and turn chain tensioning screw 1/4 turn counterclockwise. Retighten chain cover screw securely.



MAINTENANCE

ADJUSTING THE CHAIN TENSION

See Figures 15 - 16.

⚠ WARNING:

Shut off the motor, wait for all moving parts to stop, and remove the battery pack. Never touch or adjust the chain while the engine is running. The saw chain is very sharp. Always wear protective gloves when performing maintenance on the chain. Failure to follow these instructions can result in serious personal injury.

Proper chain tension is critical to the performance of your chain saw. Always check chain tension before using the saw and periodically until the work is complete.

A cold chain is correctly tensioned when there is no slack on the underside of the guide bar. The chain should be snug, but still able to be turned by hand without binding.

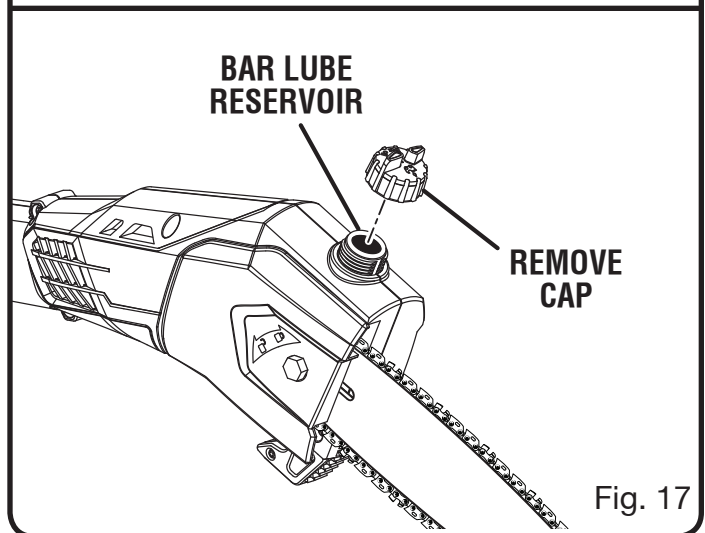
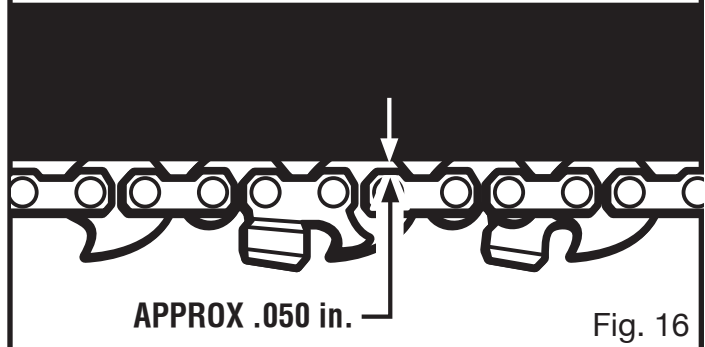
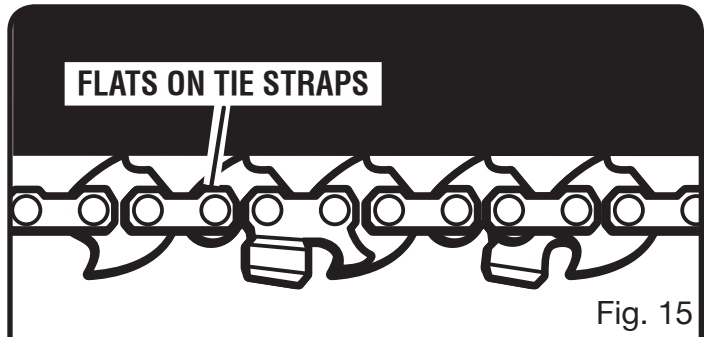
A warm chain is correctly tensioned when the flats on the tie straps hang approximately .050 inches out of the bar groove.

If adjustment is needed:

- Loosen the chain cover screw to finger tight.
- Raise the tip of the guide bar and continue to hold up until the end of this procedure.
- Turn the chain tensioning screw clockwise until the flats on the tie straps of the chain contact the bar, making sure the drive links are seated inside the bar groove.
- Retighten the chain cover screw securely.
- Release the tip of the guide bar and verify the chain is now correctly tensioned using the guidelines above.

NOTE: If the chain is too tight and will not rotate, loosen the chain cover screw slightly, then turn the chain tensioning screw 1/4 turn counterclockwise. Lift up the tip of the guide bar, retighten the chain cover screw securely, then verify the chain will now rotate without binding.

NOTE: New chains tend to stretch; check the chain tension frequently and adjust as needed.



NOTICE:

A chain tensioned while warm may be too tight upon cooling. Check the "cold tension" before next use.

CHAIN OILER

See Figure 17.

- Use premium bar and chain lubricant. It is designed for chains and chain oilers and is formulated to perform over a wide temperature range with no dilution required.

MAINTENANCE

- Remove the cap and carefully pour approximately 2 oz. of bar and chain lubricant into the bar lube reservoir.
- Replace the cap and tighten securely.
- Check and refill the bar lube reservoir every time the pole saw is used.

NOTE: Do not use dirty, used, or otherwise contaminated lubricants. Damage may occur to the oil pump, bar, or chain.

CHAIN MAINTENANCE

See Figure 18.

WARNING:

Remove the battery pack and make sure the chain has stopped before you do any work on the saw to avoid accidental starting and possible serious personal injury.

For smooth and fast cutting, the chain needs to be maintained properly. The following conditions indicate that the chain requires sharpening:

- Wood chips are small and powdery
- Chain must be forced through the wood during cutting
- Chain cuts to one side

During maintenance of the chain, consider the following:

- Improper filing angle of the side plate can increase the risk of a severe kickback.
- Depth gauge (or raker clearance) setting determines the height the cutter enters the wood and the size of the wood chip that is removed. Too much clearance increases the potential for kickback. Too little clearance decreases the size of the wood chip thus decreasing the chain's cutting ability.
- If cutter teeth have hit hard objects such as nails and stones, or have been abraded by mud or sand on the wood, have service dealer sharpen chain.

HOW TO SHARPEN THE CUTTERS

See Figures 19 - 22.

Be careful to file all cutters to the specified angles and to the same length, as fast cutting can be obtained only when all cutters are uniform.

RAKER (DEPTH GAUGE) CLEARANCE



Fig. 18

PARTS OF A CUTTER

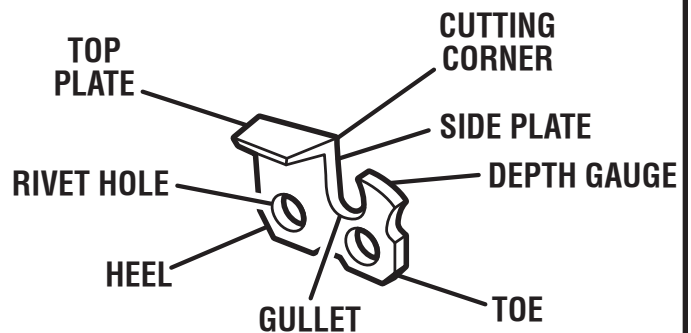


Fig. 19

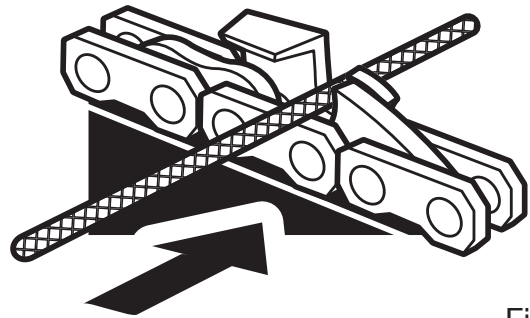


Fig. 20

WARNING:

The saw chain is very sharp, always wear protective gloves when performing maintenance to the chain to prevent serious personal injury.

- Properly tension the chain prior to sharpening. Refer to **Adjusting the Chain Tension** earlier in this manual. Do all of your filing at the mid-point of the bar.
- Use a 5/32 in. diameter round file and holder.
- Keep the file level with the top plate of the tooth. Do not let the file dip or rock.
- Using light but firm pressure, stroke towards the front corner of the tooth. Lift file away from the steel on each return stroke.

MAINTENANCE

- Put a few firm strokes on every tooth. File all left hand cutters in one direction. Then move to the other side and file the right hand cutters in the opposite direction. Occasionally remove filings from the file with a wire brush.

⚠ WARNING:

Improper chain sharpening increases the potential of kickback, which can result in serious personal injury.

⚠ WARNING:

Failure to replace or repair damaged chain can cause serious injury.

NOTICE:

A dull or improperly sharpened chain can cause excessive engine speed during cutting, which may result in severe engine damage.

STORING THE PRODUCT

See Figure 23.

⚠ WARNING:

Always remove the battery pack before transporting or storing chain saw. Place battery pack indoors in a dry, secure location out of the reach of children when storing. Failure to follow these instructions may lead to accidental starting or unauthorized use and result in serious personal injury.

- Clean all foreign material from the product. Store idle unit indoors in a dry, well-ventilated area that is inaccessible to children. Keep away from corrosive agents such as garden chemicals and de-icing salts.
- Always place the scabbard on the saw bar when transporting or storing the pole saw. The

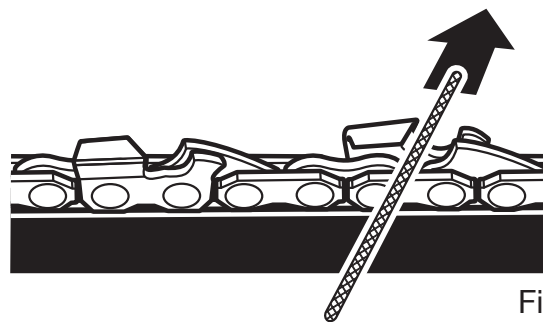


Fig. 21

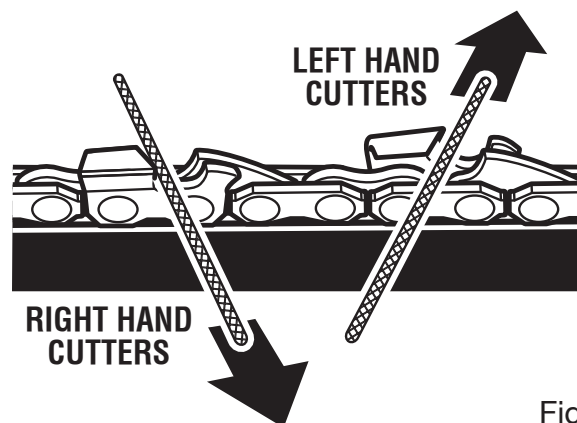


Fig. 22

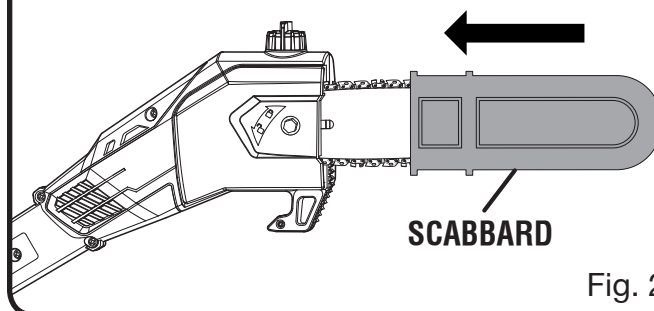


Fig. 23

scabbard is a snug fit and must be attached very carefully due to the sharp teeth on the saw chain. This is best done by grasping the scabbard at one end, in the center portion of the scabbard, and carefully sliding it over the chain as shown. Use caution to avoid the sharp teeth of the chain.

NOTE: The saw chain is very sharp. Always wear protective gloves when handling the chain.

TROUBLESHOOTING

PROBLEM	CAUSE	SOLUTION
Bar and chain running hot and smoking.	<p>Check chain tension for overtightened condition</p> <p>Bar lube reservoir empty</p>	<p>Tension chain. Refer to Adjusting the Chain Tension earlier in this manual.</p> <p>Check bar lube reservoir.</p>
Motor runs, but chain is not rotating.	<p>Chain tension too tight.</p> <p>Check guide bar and chain assembly.</p> <p>Check guide bar and chain for damage.</p>	<p>Retension chain. Refer to Adjusting the Chain Tension earlier in this manual.</p> <p>Refer to Replacing the Bar and Chain earlier in this manual.</p> <p>Inspect guide bar and chain for damage.</p>

**This product has a Three-year Limited Warranty for personal, family, or household use (90 days for business or commercial use).
 For warranty details, visit www.ryobitools.com
 or call (toll free) 1-800-860-4050.**

INSTRUCTIONS IMPORTANTES CONCERNANT LA SÉCURITÉ

AVERTISSEMENT :

Lire et veiller à bien comprendre toutes les instructions. Le non-respect des instructions ci-dessous peut entraîner une électrocution, un incendie et des blessures graves.

LIRE TOUTES LES INSTRUCTIONS

- Pour travailler en toute sécurité, lire et veiller à bien comprendre toutes les instructions avant d'utiliser ce produit. Familiarisez-vous avec toutes les commandes et l'utilisation correcte de l'outil. Respecter toutes les instructions de sécurité. Le non respect des instructions de sécurité ci-dessous peut entraîner des blessures graves.
- Ne pas laisser des enfants ou personnes n'ayant pas reçu une formation adéquate utiliser cet outil.
- Inspecter soigneusement la zone de travail et retirer tout corps étranger.
- Porter une protection oculaire avec écrans latéraux certifiée conforme à la norme ANSI Z87.1, ainsi qu'une protection casque lors de l'utilisation de cet outil.
- Porter une tenue appropriée — Porter des pantalons longs, des manches longs, des chaussures et des gants épais. Ne pas porter de vêtements amples, bijoux, shorts, sandales et ne pas travailler pieds nus. Ne porter aucun bijou.
- Attacher les cheveux longs pour les maintenir au-dessus des épaules, afin qu'ils ne se prennent pas dans les pièces en mouvement.
- Tenir à l'écart des enfants — Garder les badauds, enfants et animaux à une distance de 15 m (50 pi) minimum.
- Rester attentif — Prêter attention au travail et faire preuve de bon sens. Ne pas utiliser ce taille-bordures en état de fatigue, si l'on est souffrant, contrarié ou sous l'influence de l'alcool, de drogues ou de médicaments.
- Ne pas travailler sous un éclairage insuffisant.
- Porter des lunettes de sécurité — Toujours porter un masque facial ou un masque anti-poussière si le travail produit de la poussière.
- Débrancher l'appareil — Retirer la batterie de appareils lorsque l'outil n'est pas en usage, avant son entretien ou lors du remplacement d'accessoires tels que le guide chaîne.
- Ne pas travailler hors de portée — Toujours se tenir bien campé et en équilibre. Le travail hors de portée risque de faire perdre l'équilibre ou de causer un contact avec les pièces brûlantes.
- Garder toutes les parties du corps à l'écart des pièces en mouvement.
- Inspecter l'outil avant chaque utilisation pour s'assurer qu'il n'y a pas de pièces desserrées, etc. Remplacer les pièces endommagées avant utilisation.
- Quand la produit n'est pas utilisée, elle devrait être entreposée à l'intérieur, dans un endroit sec et sécuritaire - loin de la portée des enfants.
- Utiliser exclusivement des pièces de rechange d'origine. Toute dérogation peut entraîner un mauvais fonctionnement, des blessures graves et l'annulation de la garantie.
- N'utiliser en aucun cas un accessoire non fourni avec le produit, ou indiqué comme pouvant être utilisé sur l'outil dans le manuel d'utilisation.
- Éviter les environnements dangereux — Ne pas utiliser l'accessoire dans des endroits humides ou mouillés. Ne pas utiliser sous la pluie.
- Arrêter le moteur, attendre que toutes les pièces en mouvement cessent de bouger et retirer le bloc-piles avant tout nettoyage ou entretien.
- Ne jamais utiliser de l'eau ou une autre liquide pour nettoyer ou rincer la produit et n'exposez pas à la pluie ou conditions l'humidité. La remiser à l'intérieur dans un endroit sec. Les liquides corrosifs, l'eau et les produits chimiques peuvent s'infiltrer dans les composants électroniques et/ou le compartiment de la pile et endommager les composants électroniques et/ou le bloc-pile, ce qui peut entraîner un court-circuit, augmenter le risque d'incendie ou des blessures corporelles graves. Enlever toute accumulation de la saleté et les débris sur la produit de temps en temps avec un linge sec.
- Utilisez l'outil approprié — N'utilisez pas le produit pour aucune tâche sauf celle pour laquelle elle est conçue.
- Ne pas fonctionner l'outil sur des étapes, une échelle, un toit, un arbre, ou un support instable. Une position stable sur une surface ferme permet

INSTRUCTIONS IMPORTANTES CONCERNANT LA SÉCURITÉ

de mieux contrôler l'outil en cas de situation imprévue.

- Ne pas forcer le produit. Il sera plus efficace et présentera moins de risques de blessures s'il est utilisé dans les limites de ses spécifications.
- **DANGER** — Garder les mains à l'écart de la zone de coupe. Garder les deux mains sur les poignées lors de l'utilisation de l'appareil.
- **ATTENTION** — Les lames continuent de tourner en roue libre une fois que la scie est éteinte.
- Ne pas tenir l'outil par les lames de coupe ou les tranchants de coupe exposés.

- Vérifier si les pièces sont endommagées — Avant de réutiliser le produit, vérifier attentivement que le dispositif de protection ou toute autre pièce n'est pas endommagé afin de s'assurer que l'outil fonctionnera comme prévu. Vérifier l'alignement et la fixation des pièces mobiles, l'état des pièces, l'assemblage et toute autre condition qui peut avoir une incidence sur le fonctionnement du produit. Un dispositif de protection ou toute autre pièce qui est endommagé devrait être réparé ou remplacé dans un centre de service autorisé, à moins d'une indication contraire dans le présent manuel.

RÈGLES DE SÉCURITÉ PARTICULIÈRES

- Le rebond est une réaction dangereuse pouvant entraîner des blessures graves. Le rebond se produit lorsque la chaîne en rotation heurte un objet dans la partie supérieure de l'extrémité du guide ou lorsque l'entaille se referme et pince la chaîne dans le bois. Le contact de la partie supérieure de l'extrémité du guide peut faire plonger la chaîne dans le bois et la bloquer pendant un instant. Il en résulte une réaction fulgurante, projetant le guide vers le haut et l'arrière, en direction de l'utilisateur. Le pincement de la chaîne sur le haut du guide peut causer une projection violente de la lame en arrière, en direction de l'utilisateur, ce qui peut entraîner une perte de contrôle et des blessures graves. Ne pas compter exclusivement sur les dispositifs de sécurité intégrés au produit.

Une compréhension élémentaire du rebond peut réduire ou éliminer l'élément de surprise. Les surprises sont favorables aux accidents.

- La scie de manche ne doit être utilisée que pour couper du bois. Ne pas l'utiliser pour couper du des matériaux autres que le bois.
- S'assurer que l'endroit où la scie est utilisée est dépourvu de tout obstacle. Ne pas laisser l'extrémité du guide entrer en contact avec une bille, une branche, une palissade ou tout autre obstacle risquant d'être heurté pendant le travail. Avoir un chemin planifié de retraite.

- Ne couper que lorsque la visibilité et la lumière permettent de voir clairement.
- Pour éviter les risques d'électrocution, ne pas travailler à moins de 15 mètres (50 pi) de lignes électriques.
- En cas d'urgence, utiliser les agrafe à ressort sur le bandoulière à relâchement rapide pour se libérer du bandoulière et de la scie de manche.
- **AVERTISSEMENT** — N'utilisez pas l'outil près des lignes à haute tension. Cet outil n'a pas été conçu pour offrir une protection contre les décharges électriques en cas de contact avec les lignes électriques élevées. Consulter les règlements locaux pour connaître la distance sécuritaire des lignes électriques élevées et s'assurer que la position d'utilisation est sûre et sécuritaire avant d'utiliser l'outil.
- Avant de lancer le moteur, s'assurer que la chaîne n'est en contact avec aucun objet.
- Pour éviter les risques de blessures, ne pas se tenir directement au-dessous des branches en train d'être coupées. Cet outil ne doit pas être tenu à un angle de plus de 60° par rapport au niveau du sol.
- Arrêter le moteur s'assurer que l'accessoire de coupe est immobilisé avant de poser l'outil.
- Suivre les instructions d'affûtage et d'entretien fournies par le fabricant de la scie à chaîne.
- Utiliser exclusivement les guides et chaînes à faible risque de rebond spécifiées pour l'outil.




RÈGLES DE SÉCURITÉ PARTICULIÈRES

- Ne pas fonctionner la scie avec une main ! La blessure sérieuse à l'opérateur, les aides, les passants, ou n'importe quelle combinaison de ces personnes peut des résultats d'une opération de main. Cette scie a projeté pour l'usage deux-transmis.
- Faire preuve de la plus extrême prudence lors de la coupe de petits buissons et de jeunes arbres, car les branchettes fines peuvent se prendre dans la chaîne et fouetter l'utilisateur ou le déséquilibrer.
- Lors de la coupe d'une branche sous tension, toujours rester vigilant, car la branche risque de fouetter l'utilisateur lorsque la tension dans les fibres de bois est relâchée.
- Pour éviter un démarrage accidentale, ne jamais transporter l'outil avec le bloc-piles installé ou avec le doigt sur la commutateur.
- Manipuler le produit avec prudence — S'assurer que les lames demeurent coupantes et propres pour un meilleur rendement et pour réduire les risques de blessure. Suivre les directives pour la lubrification et pour changer les accessoires. Inspecter périodiquement le cordon du produit et le faire réparer dans un centre de service autorisé s'il est endommagé. Inspecter régulièrement le cordon du chargeur de pile. S'il est endommagé, le faire réparer ou remplacer au centre de réparations agréé le plus proche.
- Gardez les poignées sèches, propres et libres d'huile et de graisse.
- Le produit doit être réparé par un personnel qualifié seulement. Des réparations ou l'entretien effectués par un personnel non qualifié pourrait résulter en des blessures pour l'utilisateur ou endommager le produit.
- Les outils fonctionnant sur piles n'ayant pas besoin d'être branchés sur une prise secteur, ils sont toujours en état de fonctionnement. Rester conscient des dangers lorsque l'outil n'est pas en usage.
- Retirer le bloc-piles avant tout réglage, nettoyage, remisage ou déblocage, lors du remplacement d'accessoires tels que le guide et la chaîne et lorsque l'outil n'est pas en usage.
- Les piles ne doivent être rechargées qu'avec l'appareil spécifié. Un chargeur approprié pour un type de pile peut créer un risque d'incendie peut créer un risque d'incendie s'il est utilisé avec un autre type de pile. Ne recharger les piles qu'avec l'appareil indiqué.
- Utiliser ce produit seulement avec la piles et le chargeurs indiqués dans le supplément de raccordement pour chargeur/outils/piles/appareil n° 987000-432.
- Pour éviter les risques d'explosion et de blessures, ne pas placer les blocs de piles ou piles à proximité de flammes ou d'une source de chaleur.
- Ne pas ouvrir ou altérer le bloc-piles. L'électrolyte est un produit corrosif pouvant causer des lésions cutanées ou oculaires. Il peut être toxique en cas d'ingestion.
- Ne pas charger l'appareil sous la pluie ou dans un endroit mouillé.
- Ne pas recharger l'outil dans un endroit humide ou mouillé. Le respect de cette règle réduira les risques de choc électrique.
- Ne pas mettre le bloc-piles au feu. Les piles peuvent exploser. Consulter les autorités locales compétentes pour les options de recyclage et/ou l'élimination des piles.
- Manipuler les batteries avec soin pour éviter des courts-circuits. Lorsque le bloc-piles n'est pas en usage, le tenir à l'écart d'articles métalliques tels que : les attaches trombones, pièces de monnaie, clous, vis et autres petits objets métalliques risquant d'établir le contact entre les deux bornes. La mise en court-circuit de bornes de piles peut causer des étincelles, des brûlures ou un incendie.
- Conserver ces instructions. Les consulter fréquemment et les utiliser pour instruire les autres utilisateurs éventuels. Si ce produit est prêté, il doit être accompagné de ces instructions, afin d'éviter un usage incorrect et d'éventuelles blessures.







CONSERVER CES INSTRUCTIONS

SYMBOLES

Les termes de mise en garde suivants et leur signification ont pour but d'expliquer le degré de risques associé à l'utilisation de ce produit.





SYMBOLE	SIGNAL	SIGNIFICATION
	DANGER :	Indique une situation dangereuse qui, si elle n'est pas évitée, aura pour conséquences des blessures graves ou mortelles.
	AVERTISSEMENT :	Indique une situation dangereuse qui, si elle n'est pas évitée, pourrait entraîner des blessures graves ou mortelles.
	ATTENTION :	Indique une situation dangereuse qui, si elle n'est pas évitée, pourrait entraîner des blessures légères ou de gravité modérée.
	AVIS :	(Sans symbole d'alerte de sécurité) Indique les informations jugées importantes sans toutefois représenter un risque de blessure (ex. : messages concernant les dommages matériels).

Certains des symboles ci-dessous peuvent être utilisés sur le produit. Veiller à les étudier et apprendre leur signification pour assurer la sécurité d'utilisation.

SYMBOLE	NOM	EXPLICATION
	Symbole d'alerte de sécurité	Indique un risque de blessure potentiel.
	Lire le manuel d'utilisation	Pour réduire les risques de blessures, l'utilisateur doit lire et veiller à bien comprendre le manuel d'utilisation avant d'utiliser ce produit.
	Porter une protection oculaire et protection casque	Toujours porter une protection oculaire avec écrans latéraux certifiée conforme à la norme ANSI Z87.1, ainsi qu'une protection casque de la tête lors de l'utilisation de cet équipement.
	Avertissement concernant l'humidité	Ne pas exposer la pile, le compartiment de la pile, ou les composants électroniques à la pluie, l'eau ou d'autres liquides. Ne pas charger la pile ou exposer la produit à la pluie ou des endroits humides.
	Gants	Porter des gants épais antidérapants lors de la manipulation de l'scie et de la lame.
	Chaussures de sécurité	Porter des chaussures de travail à semelle antidérapante lors de l'utilisation de l'outil.

SYMBOLES

Certains des symboles ci-dessous peuvent être utilisés sur le produit. Veiller à les étudier et apprendre leur signification pour assurer la sécurité d'utilisation.

SYMBOLE	NOM	EXPLICATION
	La tenir à l'écart de lignes électriques et ne laisser personne s'approcher	DANGER! Risque d'électrocution! Ne pas travailler à moins de 15m (50 pi) de lignes électriques. Ne jamais laisser quiconque se tenir à moins de 15 m (50 pi) de l'outil.
	Choc électrique	L'utilisation dans des conditions humides et le non respect des instructions de sécurité peuvent résulter en un choc électrique.
	Symbole Mains à l'écart	Le non-respect de cette mise en garde peut entraîner des blessures graves.
	Symbole de recyclage	Ce produit utilise les piles de lithium-ion (Li-ion). Les réglementations locales ou gouvernementales peuvent interdire de jeter les piles dans les ordures ménagères. Consulter les autorités locales compétentes pour les options de recyclage et/ou l'élimination.
V	Volts	Voltage
— — —	Courant continu	Type ou caractéristique du courant

CARACTÉRISTIQUES

FICHE TECHNIQUE

Moteur	18 V c.c.
Longueur du guide	203 mm (8 po)
Capacité de coupe	152 mm (6 po)
Pas de la chaîne	9,5 mm (3/8 po)
Type de chaîne	Guide d'entaille étroit à denture évidée basse

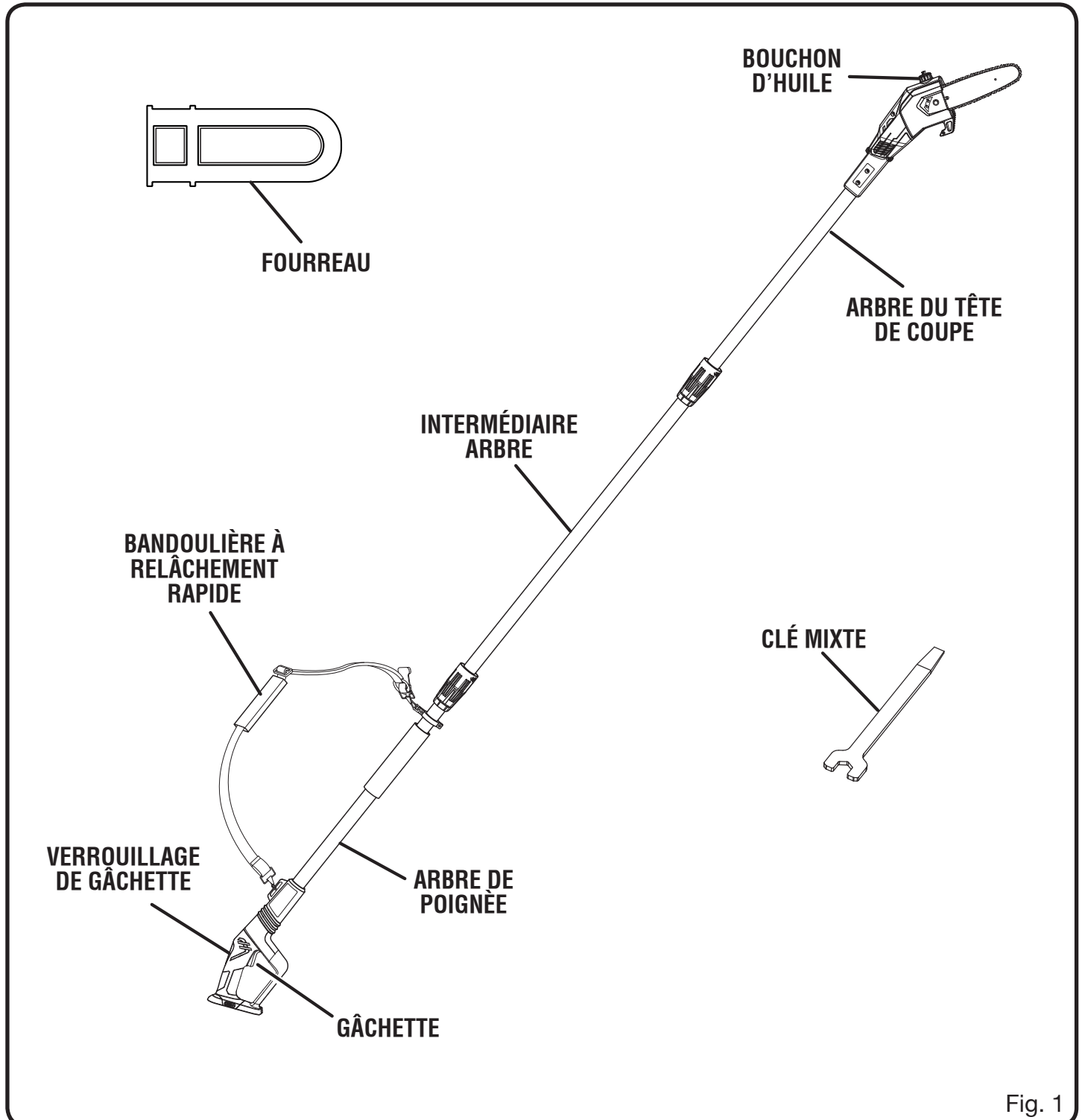


Fig. 1

CARACTÉRISTIQUES

APPRENDRE À CONNAÎTRE LE SCIE DE MANCHE

Voir la figure 1.

L'utilisation sûre de ce produit exige une compréhension des renseignements figurant sur le produit et contenus dans le manuel d'utilisation, ainsi qu'une bonne connaissance du projet entrepris. Avant d'utiliser ce produit, se familiariser avec toutes ses caractéristiques et règles de sécurité.

REGARD DE NIVEAU D'HUILE

Réservoir de lubrifiant de guide semi-transparent permettant à l'utilisateur de voir à quel moment ajouter de le lubrifiant.

FOURREAU

Le fourreau empêche que l'opérateur entre en contact avec les lames tranchantes lorsque l'outil n'est pas en usage. Il évite également que les lames soient ébréchées ou endommagées pendant le remisage.

VERROUILLAGE DE GÂCHETTE

Le verrouillage de gâchette empêche les démarrages accidentels de l'outil.

ASSEMBLAGE

DÉBALLAGE

Ce produit doit être assemblé.

- Avec précaution, sortir le produit et les accessoires de la boîte. S'assurer que toutes les pièces figurant sur la **Liste de contrôle d'expédition** sont incluses.

AVERTISSEMENT :

Ne pas utiliser le produit si, en le déballant, vous constatez que des éléments figurant dans la **Liste de contrôle d'expédition** sont déjà assemblés. Certaines pièces figurant sur cette liste n'ont pas été assemblées par le fabricant et exigent une installation. Le fait d'utiliser un produit qui a été assemblé de façon inadéquate peut entraîner des blessures.

- Examiner soigneusement le produit pour s'assurer que rien n'a été brisé ou endommagé en cours de transport.
- Ne pas jeter les matériaux d'emballage avant d'avoir soigneusement examiné le produit et avoir vérifié qu'il fonctionne correctement.
- Si des pièces sont manquantes ou endommagées, appeler le 1-800-860-4050.

LISTE DE CONTRÔLE D'EXPÉDITION

Arbre du tête de coupe
Intermédiaire arbre
Arbre de poignée
Fourreau
Clé mixte
Bandoulière à relâchement rapide
Manuel d'utilisation

AVERTISSEMENT :

Si des pièces manquent ou sont endommagées, ne pas utiliser ce produit avant qu'elles aient été remplacées. Le fait d'utiliser ce produit même s'il contient des pièces endommagées ou s'il lui manque des pièces peut entraîner des blessures graves.

AVERTISSEMENT :

Ne pas essayer de modifier ce produit ou de créer des accessoires non recommandés pour ce produit. De telles altérations ou modifications sont considérées comme un usage abusif et peuvent créer des conditions dangereuses, risquant d'entraîner des blessures graves.

ASSEMBLAGE

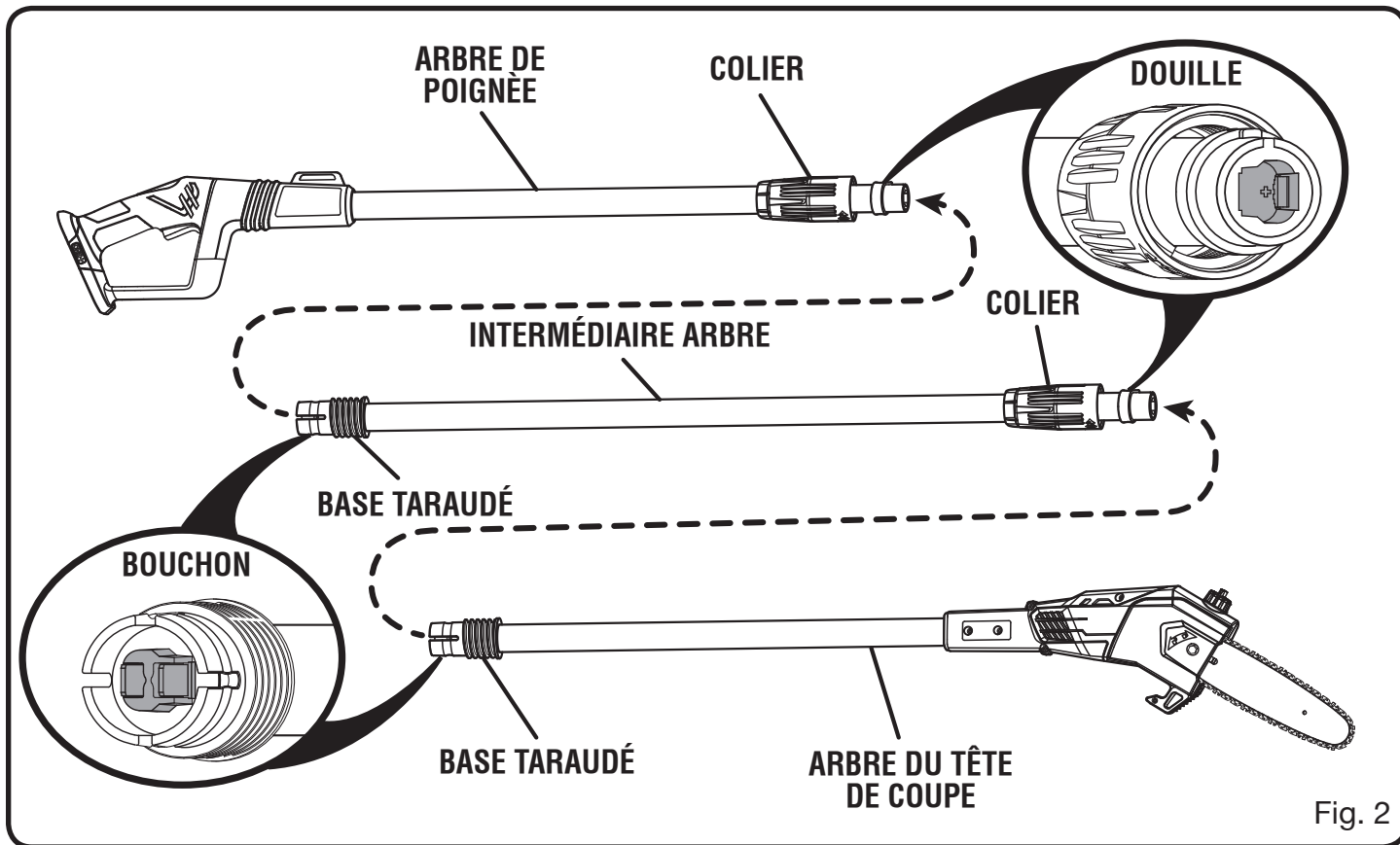


Fig. 2

⚠ AVERTISSEMENT :

Pour empêcher un démarrage accidentel pouvant entraîner des blessures graves, toujours déconnecter le fil de bougie de moteur de la bougie d'allumage avant d'assembler des pièces.

CONNEXION DU LE POIGNÉE

Voir la figure 2.

- Insérer le bouchon de l'arbre intermédiaire dans la douille de l'arbre de poignée et pousser l'un contre l'autre jusqu'à ce qu'il soit fixé solidement. Le bouchon est plus gros sur un côté et son sens d'installation est unique.

- Abaisser le collier de l'arbre à poignée sur la base fileté de l'arbre intermédiaire et le tourner dans le sens horaire afin de le serrer solidement.
- Répéter l'opération afin de fixer l'arbre intermédiaire à l'arbre du tête de coupe.

NOTE : Une fois assemblés correctement, l'arbre à poignée et l'arbre du tête de coupe ne devraient pas se détacher de l'arbre intermédiaire une fois tirés. Si c'est le cas, répéter les étapes ci-dessus.

⚠ AVERTISSEMENT :

Si tous les arbres ne sont pas installés correctement ensemble comme décrit ci-dessus, les arbres se sépareront et causeront des blessures graves ou mortelles.

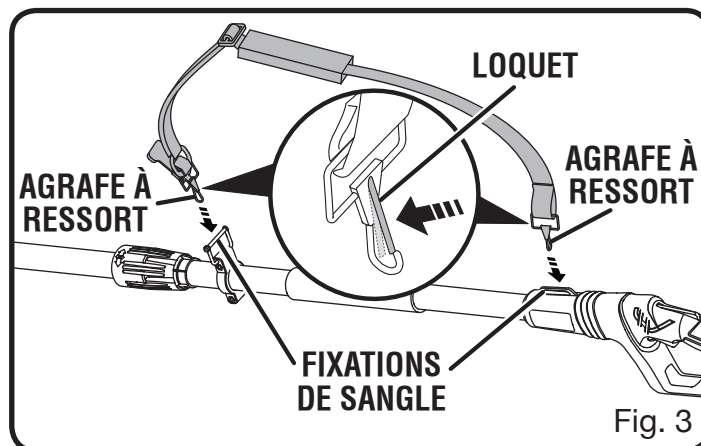
ASSEMBLAGE

INSTALLATION DE LA BANDOULIÈRE À RELÂCHEMENT RAPIDE

Voir la figure 3.

Pour empêcher la fatigue du dos et de l'épaule, Toujours utiliser la bandoulière à relâchement rapide lors de l'utilisation de l'outil. Si votre dos ou vos épaules deviennent douloureux, faites une pause et ajustez la position du bandoulière.

- Appuyer sur la loquet de agrafe à ressort et la maintenir enfoncée.
- Placer le agrafe sur le fixations de sangle et relâcher le loquet.
- Répéter ces étapes pour le autre agrafe à ressort.
- Placer la bandoulière sur l'épaule et régler la bandoulière à obtenir une position confortable.



UTILISATION

⚠ DANGER :

Ne jamais effectuer de coupes près de cerca de lignes, lignes cordon de électriques ou de sources de courant. Si les embouteillages de barre et chaîne sur la cordon électrique ou línea, NE PAS MANIPULER LA GUIDE OU LA CHAÎNE! ELLE PEUT ÊTRE SOUS TENSION ET DONC, EXTRÊMEMENT DANGEREUSE. Continuer de tenir le électrique de manche par la poignée arrière isolée ou le poser à l'écart en prenant les précautions nécessaires. Mettre le circuit électrique de la ligne électrique hors tension ou débrancher le cordon endommagé avant d'essayer de débloquent la lame. Le contact avec la barre et chaîne, d'autres parties conductrices du électrique de manche, ou des cordons ou des fils électriques sous tension entraînerait des blessures graves ou mortelles.

⚠ AVERTISSEMENT :

Ne pas laisser la familiarité avec le produit faire oublier la prudence. Ne pas oublier qu'une fraction de seconde d'inattention peut entraîner des blessures graves.

⚠ AVERTISSEMENT :

Toujours porter une protection oculaire avec écrans latéraux certifiée conforme à la norme ANSI Z87.1, ainsi qu'une protection un casque. Si cette précaution n'est pas prise, des objets peuvent être projetés dans les yeux et d'autres lésions graves.

⚠ AVERTISSEMENT :

Ne pas utiliser produits ou accessoires non recommandés par le fabricant de ce produit. L'utilisation de pièces et accessoires non recommandés peut entraîner des blessures graves.

AVIS :

Avant chaque utilisation, inspecter au complet le produit afin de s'assurer qu'aucune pièce (vis, écrous, boulons, chapeaux, etc.) n'est endommagée, manquante ou desserrée. Serrer solidement toutes les pièces de fixation et les chapeaux et ne pas utiliser le produit tant que toutes les pièces manquantes ou endommagées n'ont pas été remplacées. Pour obtenir de l'aide, veuillez communiquer avec le service à la clientèle ou un centre de réparations agréé.

UTILISATION

APPLICATIONS

Ce produit peut être utilisé pour les applications ci-dessous :

- Ébranchage
- Émondage

APPOINT D'HUILE POUR GUIDE ET CHAÎNE (NON INCLUS)

Voir la figure 4.

Utiliser de lubrifiant pour guide et chaîne Premium (non inclus). Cette huile, conçue pour les chaînes et huileurs de chaîne, est formulée pour fonctionner dans une vaste plage de températures et n'a pas besoin d'être diluée.

NOTE : La scie de manche sort d'usine sans guide et sans lubrifiant de chaîne ajoutée. La quantité devrait être vérifiée à tous les 20 minutes d'utilisation et renouvelée au besoin.

- Retirer le bouchon du réservoir d'huile.
- Verser soigneusement le lubrifiant pour guide et chaîne dans le réservoir.
- Essuyer l'excès d'huile.
- Inspecter le niveau et remplir le réservoir d'huile si le niveau d'huile indiqué dans le regard est en dessous de l'avant dernier trait.
- Répéter la procédure selon les besoins.

NOTE : Ne pas utiliser d'huile sale, usagée ou autrement contaminée. Cela pourrait endommager le guide ou la chaîne.

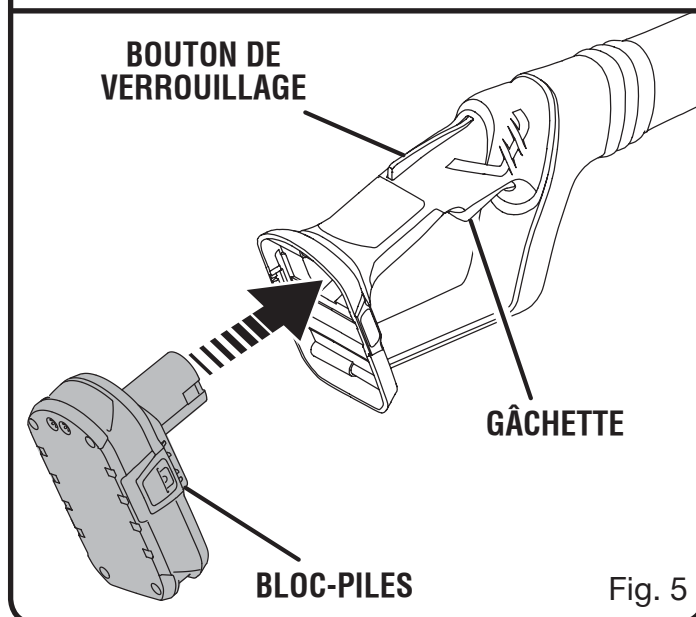
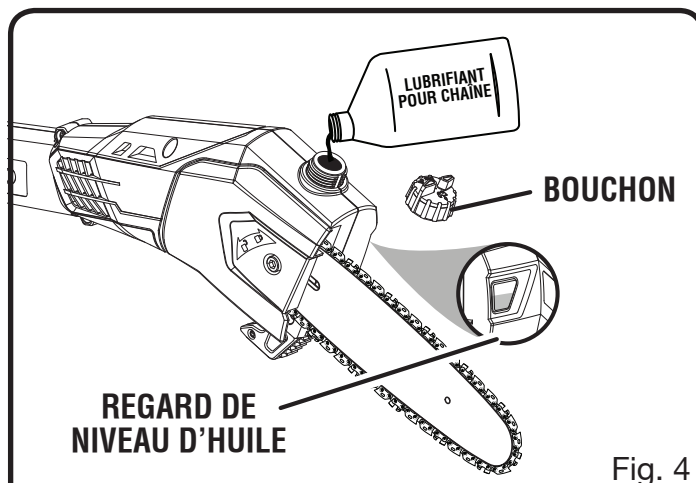
NOTE : Il est normal que de l'huile suinte de la scie lorsqu'elle n'est pas en usage. Pour éviter ce suintement, vider le réservoir d'huile après chaque utilisation puis faire tourner la scie pendant une minute. Lorsque la scie est remise pour une période prolongée (trois mois ou plus), s'assurer que la chaîne et le pignon d'entraînement sont légèrement lubrifiés pour les protéger de la rouille.

RETRAIT/INSTALLATION DU BLOC-PILES

Voir la figure 5.

⚠ AVERTISSEMENT :

Toujours retirer la pile de l'outil au moment d'assembler des pièces, d'effectuer des réglages et de procéder au nettoyage, ou lorsque l'outil n'est pas utilisé. Le fait de retirer la pile permet d'empêcher un démarrage accidentel pouvant entraîner des blessures graves.



NOTE : Pour éviter des blessures graves, toujours retirer le bloc-piles et tenir à distance de mains le bouton de verrouillage en portant l'outil.

Installation :

- Placer le bloc-piles dans la scie de manche. Aligner la saillie du bloc-piles sur la rainure du logement de la scie.

⚠ AVERTISSEMENT :

Asegúrese de que los pestillos del paquete de baterías entre adecuadamente en su lugar y que el paquete de baterías esté bien colocado y asegurado en el puerto de batería antes de que encenderla. No asentar el paquete de baterías correctamente podría provocar que el paquete de baterías se caiga y cause lesiones personales graves.

UTILISATION

Retrait :

Appuyer sur les deux loquets se trouvant sur les côtés du bloc-piles pour le séparer de la scie de manche.

Pour prendre connaissance des consignes de chargement, consulter le manuel d'utilisation des piles et des chargeurs.

DÉMARRAGE ET ARRÊT

Voir les figures 5 et 6.

Pour faire démarrer le moteur :

- Tenir l'élagueuse comme illustré et s'assurer qu'aucun obstacle ne risque d'entrer en contact avec la lame.
- Maintenir le verrouillage de gâchette enfoncé.
- Appuyer sur la gâchette.

Arrêter le moteur :

- Pour arrêter l'élagueuse, relâcher la gâchette. Lorsque la gâchette est relâchée, le verrouillage se remet automatiquement en position verrouillée.

PRÉPARATION POUR LA COUPE

Voir les figures 7 et 8.

- Porter des gants antidérapants pour assurer une prise et une protection maximum.
- Toujours maintenir une bonne prise lorsque le moteur tourne. Saisir fermement la poignée arrière avec la main droite et la poignée avant avec la main gauche.
- Tenir l'outil fermement, à deux mains. Toujours garder la main gauche sur la poignée avant et la main droite sur la poignée arrière, de façon à ce que le corps se trouve à gauche de la ligne de chaîne. Ne jamais utiliser une prise gauchère (mains inversées) ou une position qui place le bras ou le corps en travers de la ligne de chaîne.
- Ne jamais se tenir directement en dessous d'une branche en train d'être coupée.
- S'assurer que les colliers sont bien serrés avant d'utiliser l'outil, et les vérifier de temps à autre pour éviter le risque de blessures graves.

MÉTHODE DE COUPE ÉLÉMENTAIRE

Suivre la procédure ci-dessous pour éviter d'endommager l'écorce de l'arbre ou du buisson. Ne pas utiliser un mouvement de sciage d'avant en arrière.

- Effectuer une première entaille peu profonde (1/4 du diamètre de la branche) et pratiquée par le dessous

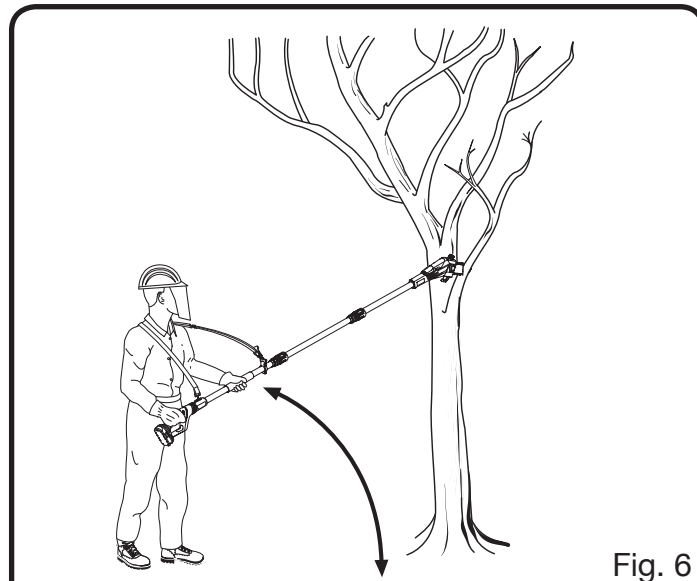


Fig. 6

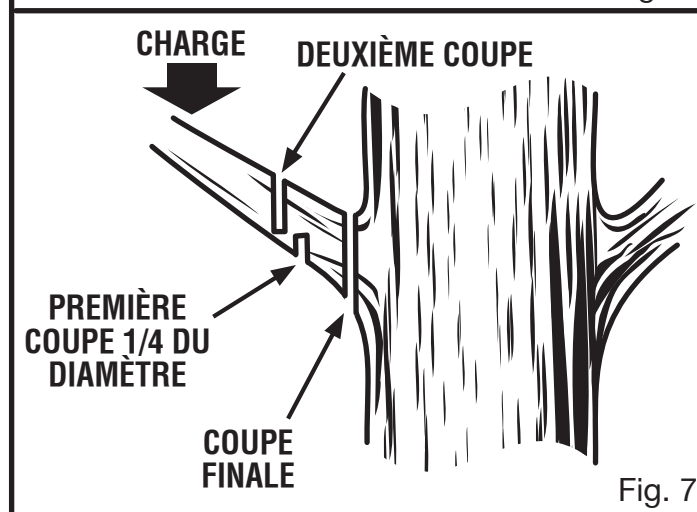


Fig. 7

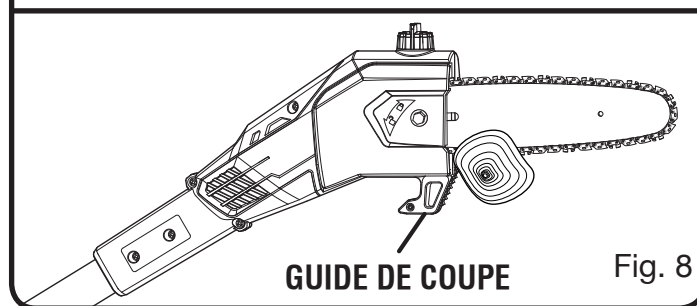


Fig. 8

de la branche, près de la branche maîtresse ou du tronc.

- Effectuer une deuxième entaille par le dessus de la branche, à l'extérieur de la première. Continuer à couper la branche jusqu'à ce qu'elle se détache de l'arbre. Se préparer à compenser le poids de l'outil lorsque la branche tombe.
- La coupe finale doit être pratiquée près du tronc.

NOTE : Pour la seconde et la dernière coupe (pratiquées par le dessus de la branche), tenir le

UTILISATION

guide avant contre la branche. Ceci stabilise la branche et facilite la coupe. Laisser la scie effectuer le travail, ne la pousser que légèrement vers le bas. Une force excessive pourrait endommager la chaîne, le guide ou le moteur.

- Relâcher la gâchette dès que la coupe a été effectuée.

Si la bonne procédure de coupe n'est pas respectée, la chaîne et le guide seront pincés ou bloqués dans l'entaille. Dans cette éventualité :

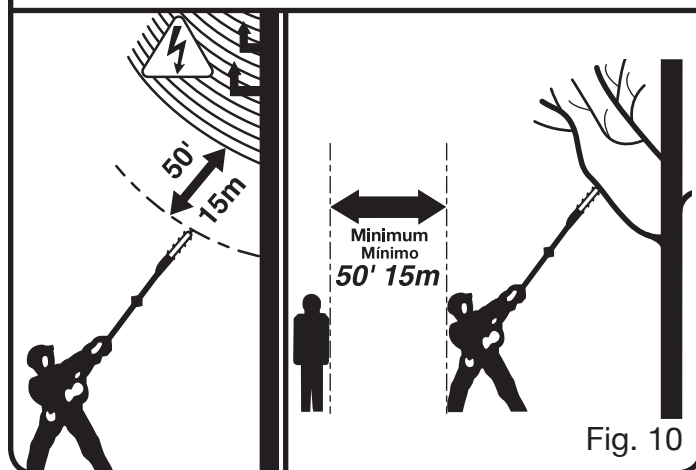
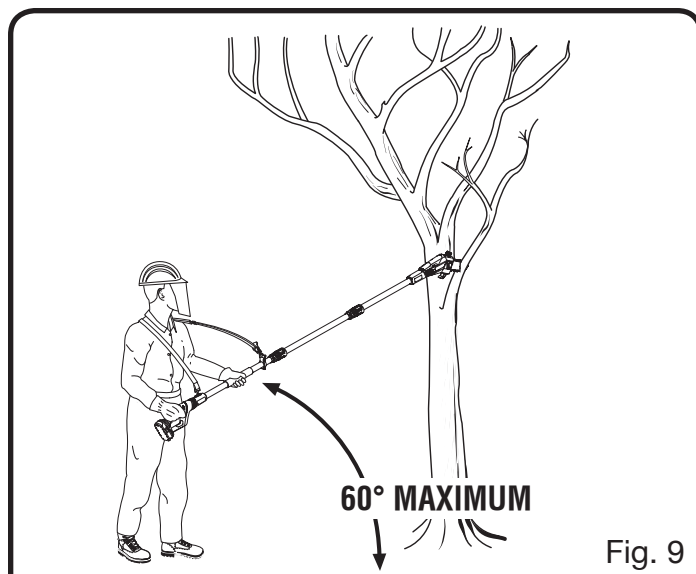
- Arrêtez le moteur et retirer le bloc-pile.
- Si la branche peut être atteinte en se tenant au sol, la soulever tout en tenant la scie. Ceci devrait « ouvrir » l'entaille et libérer l'outil.
- Si l'outil reste bloqué, consulter un professionnel.

ÉBRANCHAGE ET ÉMONDAGE

Voir les figures 9 et 10.

Cet outil est conçu pour couper de petites branches, d'un diamètre maximum de 152 mm (6 po). Pour un résultat optimal, prendre les précautions suivantes :

- Planifier soigneusement la coupe. Prévoir la direction dans laquelle la branche tombera.
- Les branches peuvent tomber dans une direction imprévue. Ne jamais se tenir directement au-dessous d'une branche en train d'être coupée.
- L'angle de coupe le plus courant est de 60°. Cet angle peut être réduit en fonction de la situation, comme illustré. Plus l'angle de l'arbre de l'élagueuse par rapport au sol est prononcé, plus la première entaille (effectuée par le dessous de la branche) est difficile à réaliser.
- Couper les branches longues en plusieurs fois.
- Couper les branches basses pour laisser aux branches hautes davantage d'espace pour tomber.
- Travailler lentement et tenir l'outil fermement à deux mains. Se tenir bien campé et en équilibre.
- Garder le tronc entre le corps et la chaîne pendant l'ébranchage. Couper en se tenant du côté du tronc opposé à la branche à couper.
- Ne pas travailler en se tenant sur une échelle, ce qui est extrêmement dangereux. Ce type de travail doit être confié à des professionnels.



- Ne pas couper au ras d'une branche maîtresse ou du tronc avant d'avoir coupé la branche à distance pour en réduire le poids. Suivre la bonne méthode de coupe évite d'endommager l'écorce.
- Ne pas utiliser l'élagueuse pour abattre ou tronçonner des arbres.
- Pour éviter les risques d'électrocution, ne pas travailler à moins de 15 m (50 pi) de lignes électriques.
- Garder les badauds à une distance de 15 m (50 pi) minimum.

ENTRETIEN

AVERTISSEMENT :

Avant d'inspecter, nettoyer ou entretenir l'équipement, arrêtez le moteur, attendez que toutes les pièces en mouvement s'arrêtent et retirez le bloc-pile. Le non-respect de ces instructions peut entraîner des blessures graves ou des dégâts matériels.

AVERTISSEMENT :

Toujours porter une protection oculaire avec écrans latéraux certifiée conforme à la norme ANSI Z87.1, ainsi qu'une protection un casque. Si cette précaution n'est pas prise, des objets peuvent être projetés dans les yeux et d'autres lésions graves.

AVERTISSEMENT :

Ne jamais utiliser de l'eau ou une autre liquide pour nettoyer ou rincer le produit et n'exposez pas à la pluie ou conditions l'humidité. La remise à l'intérieur dans un endroit sec. Les liquides corrosifs, l'eau et les produits chimiques peuvent s'infiltrer dans les composants électroniques et/ou le compartiment de la pile et endommager les composants électroniques et/ou le bloc-pile, ce qui peut entraîner un court-circuit, augmenter le risque d'incendie ou des blessures corporelles graves. Enlever toute accumulation de la saleté et les débris sur le produit de temps en temps avec un linge sec.

AVERTISSEMENT :

Utiliser exclusivement des pièces d'origine pour les réparations. L'usage de toute autre pièce pourrait créer une situation dangereuse ou endommager l'outil.

AVIS :

Inspecter périodiquement au complet le produit afin de s'assurer qu'aucune pièce (vis, écrous, boulons, chapeaux, etc.) n'est endommagée, manquante ou desserrée. Serrer solidement toutes les pièces de fixation et les chapeaux et ne pas utiliser le produit tant que toutes les pièces manquantes ou endommagées n'ont pas été remplacées. Pour obtenir de l'aide, veuillez communiquer avec le Service à la clientèle ou un centre de réparations agréé.

ENTRETIEN GÉNÉRAL

Éviter d'utiliser des solvants pour le nettoyage des pièces en plastique. La plupart des matières plastiques peuvent être endommagées par divers types de solvants du commerce. Utiliser un chiffon propre pour éliminer la saleté, la poussière, l'huile, la graisse, etc.

AVERTISSEMENT :

Ne jamais laisse de liquides tels que le fluide de freins, l'essence, les produits à base de pétrole, les huiles pénétrantes, etc., entrer en contact avec les pièces en plastique. Les produits chimiques peuvent endommager, affaiblir ou détruire le plastique, ce qui peut entraîner des blessures graves.

Tous les travaux d'entretien de la scie de manche, à l'exception de ceux qui sont mentionnés dans les directives d'entretien du guide d'utilisation, doivent être réalisés par des spécialistes de l'entretien de scie de manche compétents (par exemple, l'utilisation d'outils inappropriés pour immobiliser le volant afin de retirer l'embrayage peut endommager la structure du volant, par suite de quoi celui-ci pourrait éclater).

ENTRETIEN

REPLACEMENT DE LA GUIDE ET CHAÎNE

Voir les figures 11 à 14.



AVERTISSEMENT :

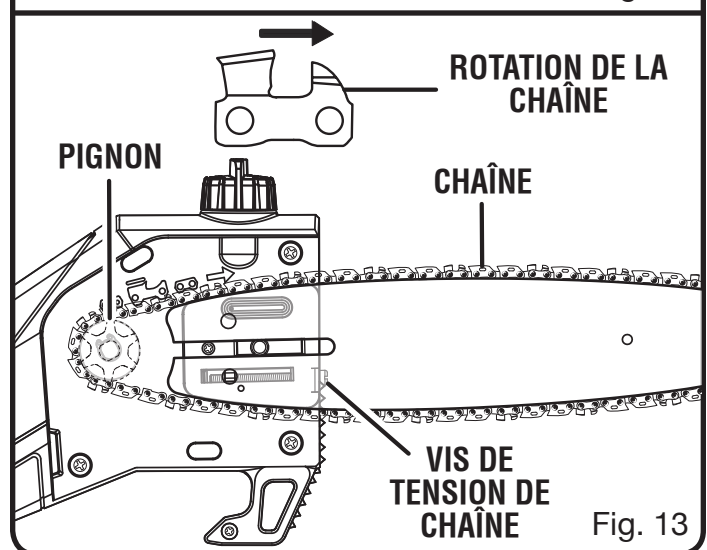
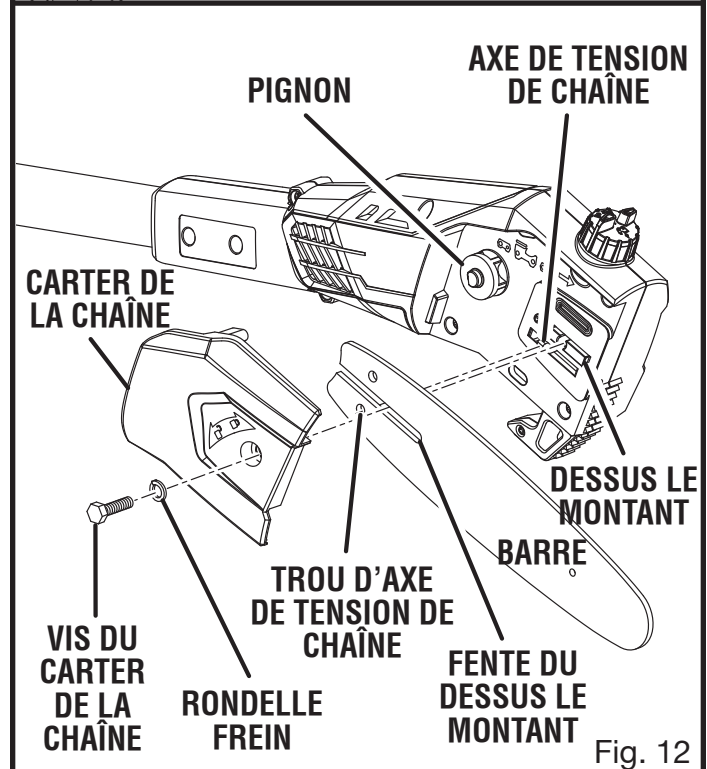
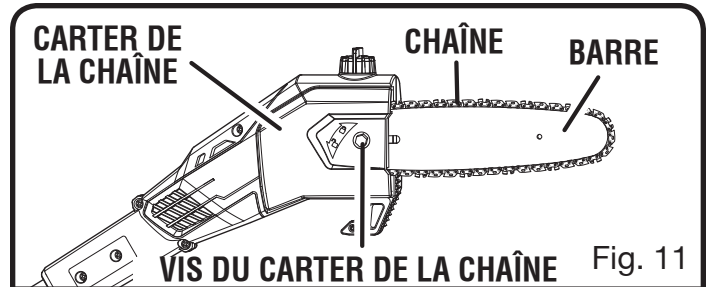
Pour éviter des risques de blessures, arrêtez le moteur et retirez le bloc-pile avant de remplacer le guide, la chaîne ou d'effectuer un entretien.

- Avec la clé mixte fournie, retirer la vis et la rondelle du carter de chaîne et retirer le carter.
- La barre comporte une fente qui se fixe par dessus le montant. Le guide comporte également un trou qui s'engage sur l'axe de tension de la chaîne.
- Placer la barre sur le dessus le montant, de façon à ce que l'axe de tension de la chaîne soit inséré dans son trou.

NOTE : Si nécessaire, tourner la vis de tension de chaîne vers la gauche jusqu'à ce que l'axe et le trou soient alignés.

- Engager la chaîne sur le pignon et dans la rainure du guide. Les dents du haut du guide doivent être orientées vers l'avant, dans le sens de rotation de la chaîne.
- Réinstaller le carter de chaîne avec la rondelle et la vis. Serrer la vis à la main seulement. Le mouvement du guide est nécessaire pour le réglage de la tension.
- Éliminer complètement le mou de la chaîne en tournant la vis de réglage de tension vers la droite jusqu'à ce que la chaîne soit bien ajustée dans la rainure du guide.
- Serrer fermement la vis du carter de la chaîne de montage.

NOTE : La chaîne est correctement tendue lorsqu'elle ne présente pas de mou en dessous du guide et qu'elle est bien serrée mais peut cependant être tournée à la main sans se gripper. Si la chaîne est trop tendue, elle ne peut pas tourner. Desserrer légèrement la vis du carter de la chaîne du guide et tourner la vis de tension de 1/4 de tour vers la gauche. Resserrer fermement la vis du carter de la chaîne.



RÉGLAGE DE LA TENSION DE LA CHAÎNE

Voir les figures 15 et 16.

⚠ AVERTISSEMENT :

Arrêter le moteur, attendre l'arrêt complet de toutes les pièces en mouvement et retirer le bloc-piles. Ne jamais toucher ou régler la chaîne lorsque le moteur tourne. La chaîne est extrêmement tranchante. Toujours porter des gants lors de l'entretien de la chaîne. Ne pas respecter ces instructions représente un risque de blessures graves.

Une tension correcte de la chaîne est essentielle à la performance de votre scie à chaîne. Toujours vérifier la tension de la chaîne avant d'utiliser la scie et périodiquement jusqu'à ce que vous terminez votre travail.

Une chaîne froide est correctement tendue lorsqu'il n'y a aucun mou sous le rail de guidage. La chaîne doit être bien serrée mais doit toujours pouvoir être qu'elle peut être tournée à la main sans se coincer. La tension d'une chaîne chaude est correcte lorsqu'il y a environ 1,27 mm (0,05 po) entre les parties plates sur les liens de traverse et les rainures de la lame.

Si un réglage est nécessaire :

- Desserrer très légèrement la vis du carter de la chaîne.
- Soulever le bout de la lame-guide et le tenir jusqu'à la fin de ce processus.
- Tourner la vis de tensionnement de la chaîne dans le sens horaire jusqu'à ce que les parties plates sur les liens de traverse entrent en contact avec la lame, en s'assurant que les liens d'entraînement sont bien insérés dans les rainures de la lame.
- Reserrer fermement la vis du carter de la chaîne.
- Relâcher le bout de la lame-guide et vérifier si la chaîne possède maintenant la tension correcte à l'aide des lignes directrices ci-haut.

NOTE : Si la chaîne est trop tendue et ne peut pas tourner, desserrer légèrement la vis du carter de la chaîne et tourner la vis de tension de 1/4 de tour vers la gauche. Relever l'extrémité du guide et serrer fermement la vis du carter de la chaîne, puis vérifier que la chaîne peut tourner sans se gripper.

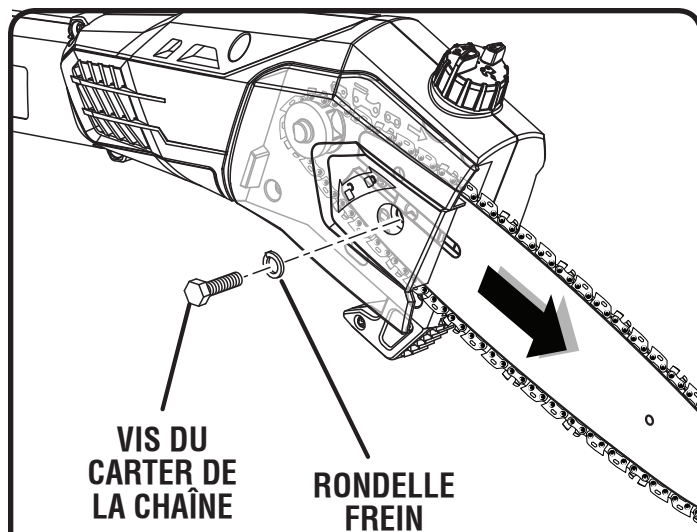


Fig. 14

PARTIES PLATES SUR LES LIENS DE TRAVERSE

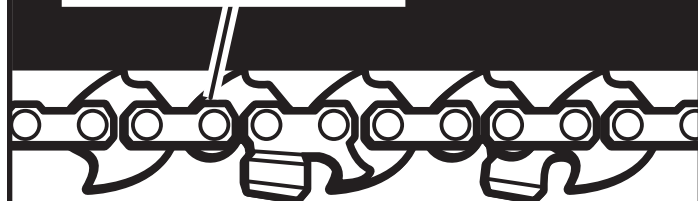


Fig. 15

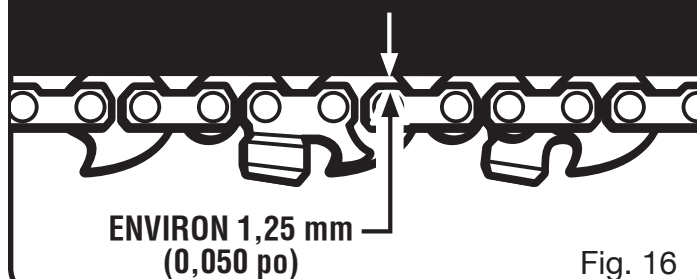


Fig. 16

NOTE : Les chaînes neuves ont tendance à s'étirer. Il convient donc de vérifier fréquemment leur tension et de la corriger le cas échéant.

AVIS :

Une chaîne réglée à chaud peut présenter une tension excessive une fois refroidie. Vérifier la « tension à froid » avant l'utilisation suivante.

SYSTÈME DE LUBRIFICATION DE LA CHAÎNE

Voir la figure 17.

- Utiliser une lubrifiant pour guide et chaîne premium. Cette huile, conçue pour les chaînes et huileurs de chaîne, est formulée pour fonctionner dans une vaste plage de températures sans être diluée.
- Retirer le bouchon et verser soigneusement environ 6 cl (2 oz) de lubrifiant pour guide et chaîne dans le réservoir.
- Remettre le bouchon en place et le serrer fermement.
- Examiner le niveau d'huile et remplir le réservoir chaque fois que l'outil est utilisé.

NOTE : Ne pas utiliser de lubrifiant sale, usagée ou autrement contaminée. Cela pourrait endommager la pompe à huile, le guide ou la chaîne.

ENTRETIEN DE LA CHAÎNE

Voir la figure 18.



AVERTISSEMENT :

Retirer le bloc-pile et s'assurer que la chaîne s'est immobilisée avant d'entreprendre tout travail sur la scie pour éviter un démarrage accidentel et des blessures graves.

Pour couper rapidement et nettement, la chaîne doit être correctement entretenue. Les conditions suivantes indiquent que la chaîne a besoin d'être affûtée :

- Les copeaux sont petits et poudreux
- La chaîne doit être forcée au travers du bois pour couper
- La chaîne ne coupe que d'un côté

Lors de l'entretien de la chaîne, tenir compte des points suivants :

- Un angle d'affûtage incorrect de la plaque latérale peut accroître les risques de rebond puissant.
- Le réglage de la profondeur de coupe détermine la pénétration des dents dans le bois et la taille des copeaux produits. Un réglage trop profond accroît le risque de rebond. Une profondeur insuffisante réduit la taille des copeaux, donc l'efficacité de coupe de la chaîne.

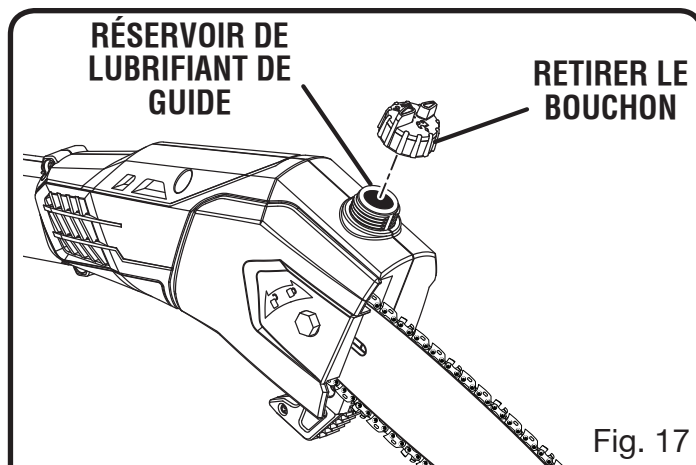


Fig. 17

JEU DU LIMITEUR DE PROFONDEUR



0,6 mm
(0,025 po)

Fig. 18

PIÈCES D'UNE DENT

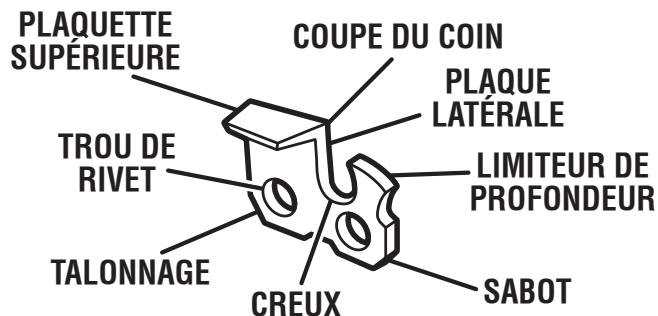


Fig. 19

- Si les dents de la chaîne ont heurté des objets durs tels que des clous ou des pierres, ou ont été abrasées par du sable ou de la boue se trouvant sur le bois, la faire affûter dans un centre de réparations agréé.

COMMENT AFFÛTER LES DENTS

Voir les figures 19 à 22.

Veiller à limer toutes les dents aux angles spécifiés et à la même longueur, car une coupe rapide ne peut être obtenue qu'avec des dents uniformes.



AVERTISSEMENT :

La chaîne de la scie est extrêmement tranchante. Toujours porter des gants lors de son entretien pour éviter des blessures graves.

ENTRETIEN

- Tendre la chaîne correctement avant de l'affûter. Voir la section **Réglage de la tension de la chaîne** plus haut dans ce manuel. Tout le limage doit être effectué au point central du guide.
- Utiliser une lime ronde de 5/32 po, et un porte-lime.
- Garder la lime de niveau avec la plaque supérieure de la dent. Ne pas incliner la lime ou utiliser un mouvement de bascule.
- Exercer une pression légère mais ferme et limer en direction du coin avant de la dent. Soulever la lime du métal à chaque retour.
- Effectuer quelques passes fermes sur chaque dent. Limer toutes les gouges de gauche dans un sens. Ensuite, passer à l'autre côté et limer toutes les gouges de droite dans l'autre sens. De temps à autre, éliminer la limaille de la lime au moyen d'une brosse métallique.

⚠ AVERTISSEMENT :

Un affûtage incorrect de la chaîne accroît le risque de rebond, ce qui peut causer des blessures graves.

⚠ AVERTISSEMENT :

L'utilisation d'une chaîne endommagée peut causer de blessures graves.

AVIS :

Une chaîne émoussée ou incorrectement affûtée peut causer un régime excessif du moteur pendant la coupe et l'endommager gravement.

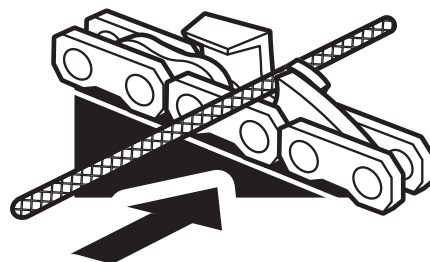


Fig. 20

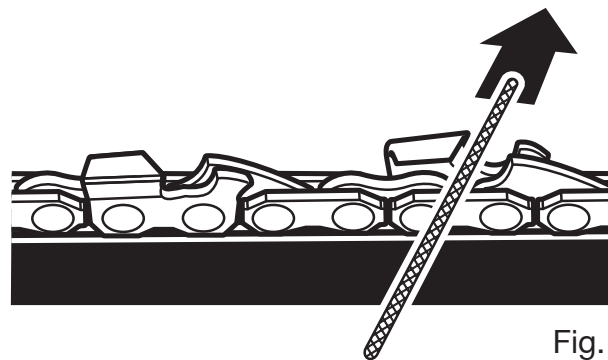


Fig. 21

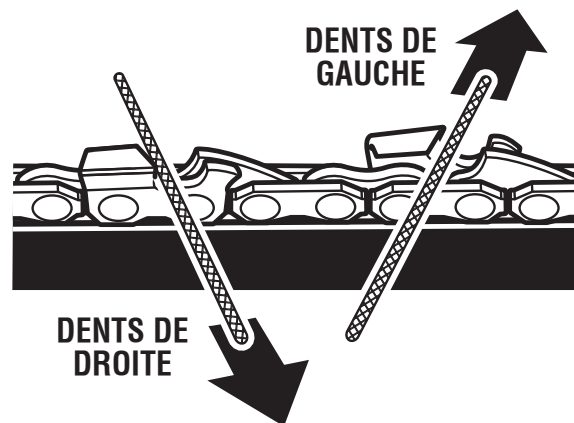


Fig. 22

REMISAGE LE PRODUIT

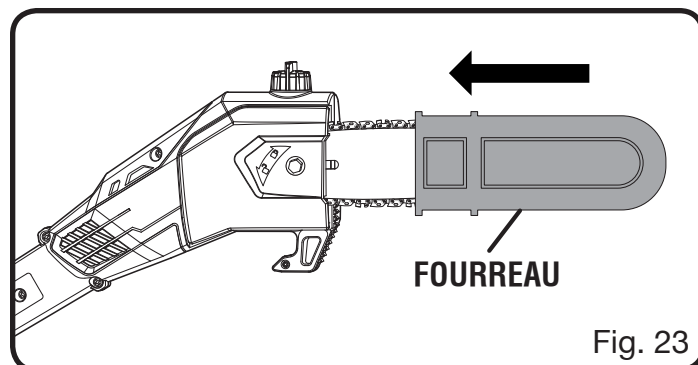
Voir la figure 23.

⚠ AVERTISSEMENT :

Toujours enlever le bloc-piles avant de transporter ou de ranger la scie à chaîne. Ranger le bloc-piles à l'intérieur dans un endroit sec, sécuritaire et hors de la portée des enfants. Le défaut de suivre ces instructions pourrait entraîner un démarrage accidentel ou une utilisation non autorisée et causer des blessures personnelles graves.

ENTRETIEN

- Nettoyer soigneusement le produit. La remiser dans un endroit bien aéré, inaccessible aux enfants. La tenir à l'écart de produits corrosifs, tels que les produits chimiques de jardinage et le sel de dégivrage.
 - Toujours placer le fourreau sur le guide lors du transport ou du remisage de la scie. Le fourreau est très ajusté et il doit être installé avec la plus grande prudence, car les dents de la chaîne sont tranchantes. Pour ce faire, saisir le fourreau à une extrémité en son milieu et l'enfiler avec prudence sur la chaîne comme illustré. Veiller à ne pas se couper sur les dents de la chaîne.
- NOTE :** La chaîne de la scie est extrêmement tranchante. Toujours porter des gants lors de sa manipulation.



DÉPANNAGE

PROBLÈME	CAUSE	SOLUTION
Le guide et la chaîne chauffent et fument.	Regarder si la chaîne est trop tendue	Tendre la chaîne. Voir Réglage de la tension de la chaîne plus haut dans ce manuel.
	Réservoir de lubrifiant de guide vide	Vérifier le niveau de lubrifiant de guide dans le réservoir.
Le moteur tourne, mais la chaîne ne se met pas en rotation.	Tension de la chaîne excessive.	Retendre la chaîne. Voir Réglage de la tension de la chaîne plus haut dans ce manuel.
	Vérifier l'ensemble guide et chaîne.	Voir Remplacement du guide et de la chaîne plus haut dans ce manuel.
	S'assurer que l'ensemble guide et chaîne n'est pas endommagé.	S'assurer que l'ensemble guide et chaîne n'est pas endommagé.

Ce produit est accompagné d'une garantie limitée de trois (3) ans pour utilisation personnel, familiales ou domestiques (90 jours pour utilisation affaires ou commerciaux). Pour obtenir les détails de la garantie, visiter le site www.ryobitools.com ou appeler (sans frais) au 1-800-860-4050.

INSTRUCCIONES DE SEGURIDAD IMPORTANTES

ADVERTENCIA:

Lea y comprenda todas las instrucciones. El incumplimiento de las instrucciones señaladas abajo puede causar descargas eléctricas, incendios y lesiones corporales serias.

LEA TODAS LAS INSTRUCCIONES

- Para la operación segura, lea y entienda todas las instrucciones antes de usar este producto. Familiarícese con todos los controles y la forma correcta de utilizar la máquina. Siga todas las instrucciones de seguridad. La inobservancia de todas las instrucciones de seguridad señaladas abajo puede causar lesiones corporales graves.
- No permita que utilicen esta unidad niños ni personas carentes de la debida instrucción para su manejo.
- Inspeccione a fondo el área donde piense utilizar el equipo y elimine todos los objetos extraños.
- Al utilizar esta herramienta, póngase protección para los ojos con protección lateral con la marca de cumplimiento de la norma ANSI Z87.1, así como protección para la cabeza.
- Vístase adecuadamente — Póngase pantalones largos de tela gruesa, mangas largas, botas y guantes. No se ponga ropa holgada o pantalones cortos o sandalias, ni ande descalzo. No se ponga joyas de ninguna clase.
- Recójase el cabello largo arriba del nivel de los hombros para evitar que se enrede en las piezas móviles.
- Mantenga alejados a los niños — Mantenga alejados a todos los circunstantes, niños y animales a una distancia mínima de 15 m (50 pies).
- Permanezca alerta — Preste atención a lo que esté haciendo y aplique el sentido común. No use esta unidad cuando se encuentre fatigado, enfermo, molesto o bajo los efectos del alcohol, drogas o medicamentos.
- No utilice la unidad en condiciones deficientes de iluminación.
- Utilice gafas de seguridad — Siempre use una careta o mascarilla contra el polvo si la operación genera mucho polvo.
- Desconecte aparatos — Quite la batería de aparato cuando no la tenga en uso, antes de dar servicio, o cambiar accesorios como la barra cadena.
- No estire el cuerpo para alcanzar más lejos — Mantenga los pies bien asentados y conserve el equilibrio en todo momento. Al tratar de hacerlo puede perder el equilibrio o exponerse al contacto con superficies calientes.
- Mantenga todas las partes del cuerpo alejadas de toda pieza en movimiento.
- Inspeccione cada vez la unidad antes de usarla para ver si tiene tornillos flojos, etc. Reemplace toda pieza dañada antes de utilizar la unidad.
- Cuando no está en uso, la sierra debe guardarse en el interior, en un lugar seco y cerrado con llave, lejos del alcance de los niños.
- Sólo utilice piezas de repuesto del fabricante original. De lo contrario puede originarse un mal desempeño de la herramienta y lesiones corporales, además de anularse la garantía.
- En ninguna circunstancia, use aditamento o accesorio alguno en este producto, que no se haya suministrado con el producto mismo, o que no esté identificado como apropiado para el uso con este producto en el manual del operador.
- Evite los entornos peligrosos de trabajo — No use el accesorio en lugares húmedos o mojados. No lo use en la lluvia.
- Apague el motor, espere hasta que todas las piezas se detengan y retire la paquete de baterías antes al limpiarla o darle mantenimiento.
- Nunca use agua ni otros líquidos para limpiar o enjuagar la product y no exponga la unidad a la lluvia ni de condiciones húmedas. Almacene la unidad en el interior en un lugar seco. Los líquidos corrosivos, el agua, y los productos químicos pueden ingresar los componentes eléctricos del porducto y/o al compartimiento de la batería y dañar los componentes eléctricos o el paquete de la batería, lo que podría resultar en un corto circuito, mayor riesgo de incendio y lesiones personales graves. Retire la acumulación de suciedad y los residuos limpiando el producto con un trapo seco de manera ocasional.
- Utilice el aparato adecuado para la tarea — No utilice la producto para ninguna función diferente de las especificadas.
- No utilice la unidad al estar en las escaleras, una andamios, una tejado, un árbol o en un soporte inestable. Una postura estable sobre una superficie sólida permite un mejor control de la herramienta en situaciones inesperadas.
- No fuerce la producto. Es más eficaz y presenta menos riesgo de lesiones a la velocidad de trabajo para la que fué diseñada.

INSTRUCCIONES DE SEGURIDAD IMPORTANTES

- **PELIGRO** — Mantenga las manos alejadas del área de corte. Mantenga ambas manos en los mangos al utilizar la unidad.
- **PRECAUCIÓN** — La hoja de corte continúa girando por inercia después de apagar la unidad.
- Mantenga los mangos secos, limpios y sin aceite ni grasa.
- Revise para ver si hay piezas dañadas — Antes de seguir utilizando la producto, es necesario inspeccionar cuidadosamente toda protección o pieza dañada para determinar si funcionará

correctamente y desempeñará la función a la que está destinada. Verifique la alineación de las partes móviles, que no haya atoramiento de partes móviles, que no haya piezas rotas, el montaje de las piezas y cualquier otra condición que pudiera afectar su funcionamiento. Cualquier protección o pieza que esté dañada debe ser reparada apropiadamente o reemplazada en un centro de servicio autorizado, a menos que se indique otra cosa en este manual.

REGLAS DE SEGURIDAD ESPECÍFICAS

- El contragolpe es una reacción peligrosa de la herramienta que puede ocasionar lesiones serias. El contragolpe ocurre cuando la cadena en movimiento hace contacto con un objeto en la parte superior de la punta de la barra, o cuando la madera se cierra y pellizca la cadena en el punto de corte. El contacto de la parte superior de la punta de la barra con la madera puede causar que la cadena se clave en el material y se detenga instantáneamente. El resultado es una reacción súbita en dirección inversa, la cual lanza la barra guía hacia arriba y hacia atrás, en la dirección donde se encuentra el operador. Si resulta pellizcada la cadena en la parte superior de la barra guía, ésta puede impulsarse rápidamente hacia atrás, hacia el operador, lo cual puede causar una pérdida de control y posibles lesiones graves. No dependa exclusivamente de los dispositivos de seguridad incorporados en el producto.
Con un conocimiento básico del contragolpe de la sierra, puede reducir o incluso eliminar el elemento sorpresa. La sorpresa súbita contribuye a los accidentes.
- La sierra de pértiga sólo debe emplearse para cortar madera. Nunca utilice para cortar de materiales de construcción que no sean madera.
- Asegúrese de que no haya obstrucciones en el área donde esté cortando. No permita que la punta de la barra guía entre en contacto con ningún tronco, rama, cerca, o cualquier otra obstrucción al estar operando la sierra. Tenga un sendero planeado de la retirada.
- Corte solamente cuando al visibilidad y la luz sean adecuadas para ver claramente.
- Para protegerse de una posible electrocución, no trabaje a menos de 15 metros (50 pies) de cables eléctricos aéreos.
- En una situación de emergencia, utilice los clips de resorte en la correa para el hombro de liberación rápida para liberarse de correa y la sierra de pértiga.
- **ADVERTENCIA** — No opere cerca de las líneas de alimentación eléctrica superiores. La unidad no fue diseñada para ofrecer protección contra descargas eléctricas en el caso de entrar en contacto con líneas eléctricas superiores. Consulte las reglamentaciones locales para ver las distancias seguras desde las líneas de alimentación eléctrica superiores y asegurarse de que la posición de funcionamiento sea segura y esté protegida antes de hacer funcionar la herramienta.
- Antes de arrancar el motor, asegúrese de que no esté tocando ningún objeto la cadena.
- Para protegerse contra ramas que caen, no se pare directamente debajo de la rama que se esté cortando. Esta unidad no debe sostenerse a un ángulo superior a 60° sobre el nivel del suelo.
- Apague el motor y asegúrese de que el aditamento de corte se haya detenido antes de dejar la unidad en reposo.
- Siga las instrucciones de afilado y mantenimiento correspondientes a la cadena de la sierra.
- Sólo use las barras guía y las cadenas de contragolpe moderado de repuesto especificadas para la unidad.




REGLAS DE SEGURIDAD ESPECÍFICAS

- ¡No opere el vio con una mano! La herida grave al operario, a los ayudantes, a los espectadores, o a cualquier combinación de estas personas puede los resultados de una operación de mano. Esto vio destinado para el uso a dos manos.
- Tenga extrema precaución al cortar broza pequeña y árboles jóvenes, ya que el material delgado puede atraparse en la cadena de la sierra y puede latigear hacia usted o desequilibrarlo.
- Al cortar una rama que esté bajo tensión, esté alerta al impulso de regreso de la misma, de manera que no le pegue cuando se libere la tensión presente en las fibras de la madera.
- Para evitar un arranque accidental; nunca traslade la unidad con la paquete de baterías instalado o el dedo en el gatillo del interruptor.
- Dé mantenimiento con cuidado a le producto — Mantenga afilado el filo de corte y límpielo para lograr un desempeño óptimo de la unidad y para reducir el riesgo de lesiones. Siga las instrucciones correspondientes al cambio y lubricación de accesorios. Inspeccione periódicamente el cable del cargador de la batería, y si está dañado, permita que lo cambien o lo reparen en un establecimiento de servicio autorizado.
- Mantenga los mangos secos, limpios y sin aceite ni grasa.
- Sólo personal de reparación calificado debe dar servicio al producto. Todo servicio o mantenimiento efectuado por personal no calificado puede significar un riesgo de lesiones al usuario, y de daños físicos al producto.
- Las herramientas de baterías no necesitan conectarse a una toma de corriente; por lo tanto, siempre están en condiciones de funcionamiento. Esté consciente de los posibles peligros incluso si no está encendida la unidad.
- Retire el paquete de baterías de la sierra de pértiga antes de limpiar, dar servicio, guardar, quitar material, cambiar accesorios (como la barra y la cadena) a la unidad, o cuando no la tenga en uso.
- Sólo debe cargarse el paquete de baterías con el cargador especificado para el mismo. Un cargador que puede ser adecuado para un tipo paquete de baterías puede significar un riesgo de incendio si se emplea con otro paquete de baterías. Cargue el paquete de baterías solamente con el cargador indicado.
- Usar este producto únicamente con la baterías y el cargadors indicados en el folleto de la herramienta/aparato/paquete de baterías/cargador complementario 987000-432.
- Con el fin de reducir el riesgo de explosiones y lesiones, no coloque las unidades de baterías ni las baterías mismas cerca del fuego o del calor.
- No abra ni dañe el paquete de baterías. El electrolito emitido es corrosivo y puede causar daños en los ojos y en la piel. Puede ser tóxico si se ingiere.
- No cargue la aparato en en la lluvia o en lugares húmedos.
- No cargue la unidad en lugares mojados o húmedos. Con el cumplimiento de esta regla se reduce el riesgo de una descarga eléctrica.
- No deseche las baterías en el fuego. Pueden estallar las baterías. Las baterías deben reciclarse; consulte a las autoridades locales reguladoras de los desechos para obtener información en relación con las alternativas de reciclado y desecho disponibles.
- Tenga cuidado cuando maneje baterías a fin de no realizar un cortocircuito. Cuando no esté usando el paquete de baterías, manténgalo alejado de todo objeto metálico como: clips, monedas, llaves, clavos, tornillos y otros objetos metálicos pequeños que puedan establecer conexión entre ambas terminales. Establecer una conexión directa entre las dos terminales del paquete de baterías puede causar chispas, quemaduras o incendios.
- Guarde estas instrucciones. Consúltelas con frecuencia y empléelas para instruir a otras personas que puedan utilizar este producto. Si presta a alguien este producto, facilítele también las instrucciones con el fin de evitar un uso indebido del producto y posibles lesiones.







GUARDE ESTAS INSTRUCCIONES

SÍMBOLOS

Las siguientes palabras de señalización y sus significados tienen el objeto de explicar los niveles de riesgo relacionados con este producto.

SÍMBOLO	SEÑAL	SIGNIFICADO
	PELIGRO:	Indica una situación peligrosa, la cual, si no se evita, causará la muerte o lesiones serias.
	ADVERTENCIA:	Indica una situación peligrosa, la cual, si no se evita, podría causar la muerte o lesiones serias.
	PRECAUCIÓN:	Indica una situación peligrosa la cual, si no se evita, puede causar lesiones leves o moderadas.
	AVISO:	(Sin el símbolo de alerta de seguridad) Indica la información que se considera importante, pero no relacionada con lesiones potenciales (por ej. en relación a daños a la propiedad).

Es posible que se empleen en este producto algunos de los siguientes símbolos. Le suplicamos estudiarlos y aprender su significado para mayor seguridad al manejar este producto.

SÍMBOLO	NOMBRE	EXPLICACIÓN
	Símbolo de alerta de seguridad	Indica un peligro posible de lesiones personales.
	Lea el manual del operador	Para reducir el riesgo de lesiones, el usuario debe leer y comprender el manual del operador antes de usar este producto.
	Póngase protección para los ojos y la cabeza	Siempre póngase protección ocular con protección lateral con la marca de cumplimiento de la norma ANSI Z87.1, así como protección para la cabeza cuando utilizar este equipo.
	Alerta de condiciones húmedas	No exponga la batería, el compartimento de la batería o componentes electrónicos a la lluvia, el agua o líquidos. No exponga la producto a la lluvia o a lugares húmedos, ni cargue la batería en esas condiciones.
	Guantes	Cuando maneje la sierra y la hoja de corte, póngase guantes protectores no deslizantes para uso pesado.
	Calzado de seguridad	Cuando utilice este equipo póngase calzado de seguridad antideslizante.

SÍMBOLOS

Es posible que se empleen en este producto algunos de los siguientes símbolos. Le suplicamos estudiarlos y aprender su significado para mayor seguridad al manejar este producto.

SÍMBOLO	NOMBRE	EXPLICACIÓN
	Evite las cables eléctricos/ Mantenga alejadas a las personas presentes	¡PELIGRO! ¡Riesgo de electrocución! No trabaje a menos de 15 m (50 pies) de cables eléctricos. Mantenga a los circunstantes a una distancia mínima de 15 m (50 pies)
	Descarga eléctrica	Si no se usa la unidad en condiciones secas y no se observan prácticas seguras de trabajo, puede producirse una descarga eléctrica.
	Símbolo de no acercar las manos	Si no mantiene las manos alejadas de la hoja de corte, se causará serias lesiones corporales.
	Símbolos de reciclado	Este producto utiliza baterías de iones de litio (Li-ion). Es posible que algunas leyes municipales, estatales o federales prohíban desechar las baterías en la basura normal. Consulte a las autoridades reguladoras de desechos para obtener información en relación con las alternativas de reciclado y desecho disponibles.
V	Voltios	Voltaje
==	Corriente continua	Tipo o característica de corriente

CARACTERÍSTICAS

ESPECIFICACIONES DEL PRODUCTO

Motor	18 voltios C.C.
Longitud de la barra	203 mm (8 pulg.)
Capacidad de corte.....	152 mm (6 pulg.)
Paso de la cadena.....	9,5 mm (3/8 pulg.)
Tipo de cadena.....	Corte angosto de dientes de salto de bajo perfil

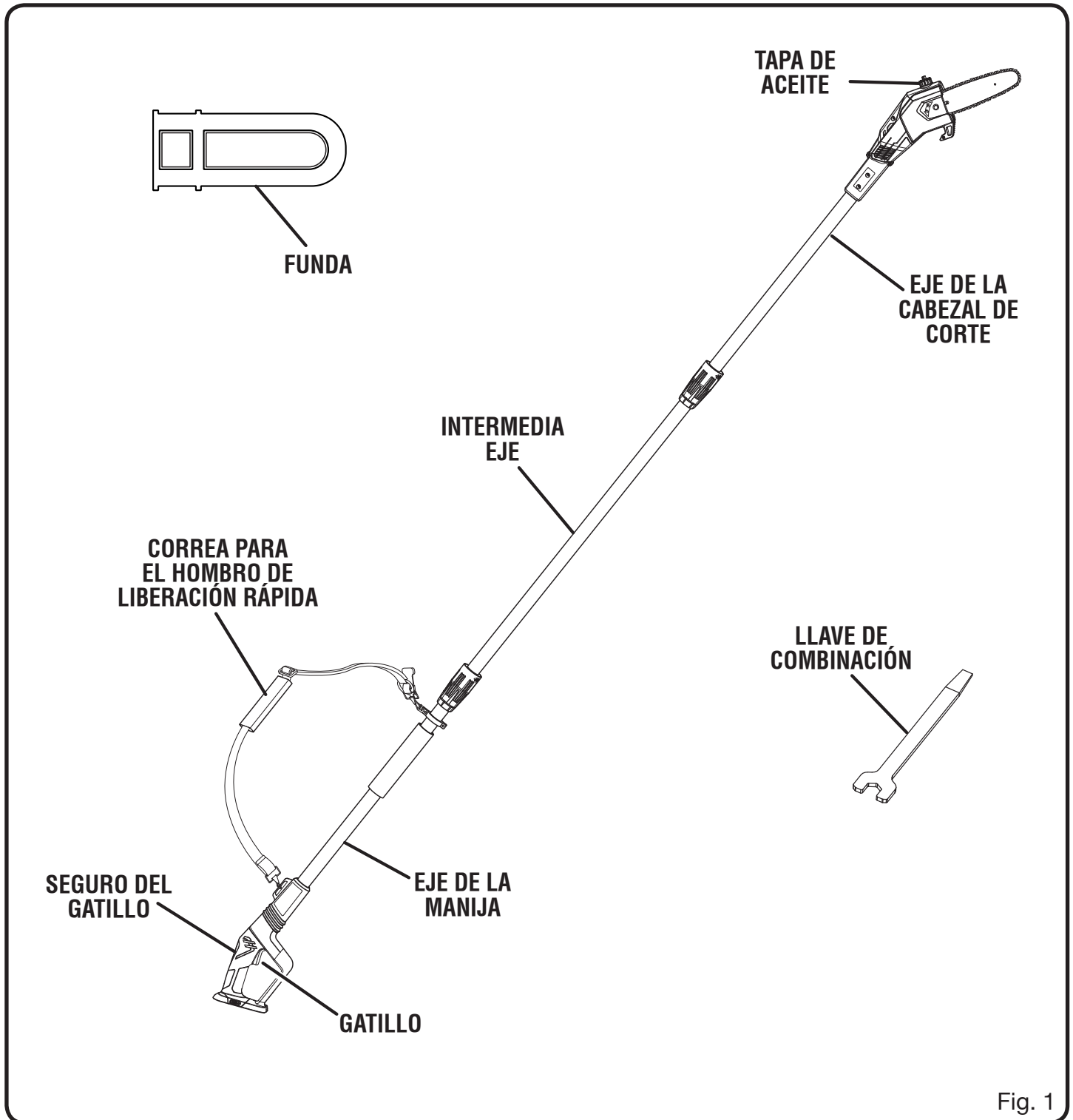


Fig. 1

CARACTERÍSTICAS

FAMILIARÍCESE CON SU SIERRA DE PÉRTIGA

Vea la figura 1.

Para usar este producto con la debida seguridad se debe comprender la información indicada en la producto misma y en este manual, y se debe comprender también el trabajo que intenta realizar. Antes de usar este producto, familiarícese con todas las características de funcionamiento y normas de seguridad del mismo.

INDICADOR DE NIVEL DE ACEITE

Es un tanque del lubricador de la cadena semitransparente que permite ver cuándo reabastecerlo de lubricante.

FUNDA

La funda impide que el operador toque las afiladas hojas cuando no tenga en uso la herramienta. También ayuda a impedir que las las hojas resulten melladas o dañadas cuando está guardada la herramienta.

SEGURO DEL GATILLO

El seguro del gatillo impide un arranque accidental de la herramienta.

ARMADO

DESEMPAQUETADO

Este producto requiere armarse.

- Extraiga cuidadosamente de la caja el producto y los accesorios. Asegúrese de que estén presentes todos los artículos enumerados en la **Lista de empaquetado**.

ADVERTENCIA:

No utilice este producto si alguna pieza incluida en la **Lista de empaquetado** ya está ensamblada al producto cuando lo desempaqueta. El fabricante no ensambla las piezas de esta lista en el producto. Éstas deben ser instaladas por el usuario. El uso de un producto que puede haber sido ensamblado de forma inadecuada podría causar lesiones personales graves.

- Inspeccione cuidadosamente el producto para asegurarse de que no haya sufrido ninguna rotura o daño durante el transporte.
- No deseche el material de empaquetado hasta que haya inspeccionado cuidadosamente el producto y la haya utilizado satisfactoriamente.

- Si hay piezas dañadas o faltantes, le suplicamos llamar al 1-800-860-4050, donde le brindaremos asistencia.

LISTA DE EMPAQUETADO

Eje de la cabezal de corte

Intermedia eje

Eje de la manija

Funda

Llave de combinación

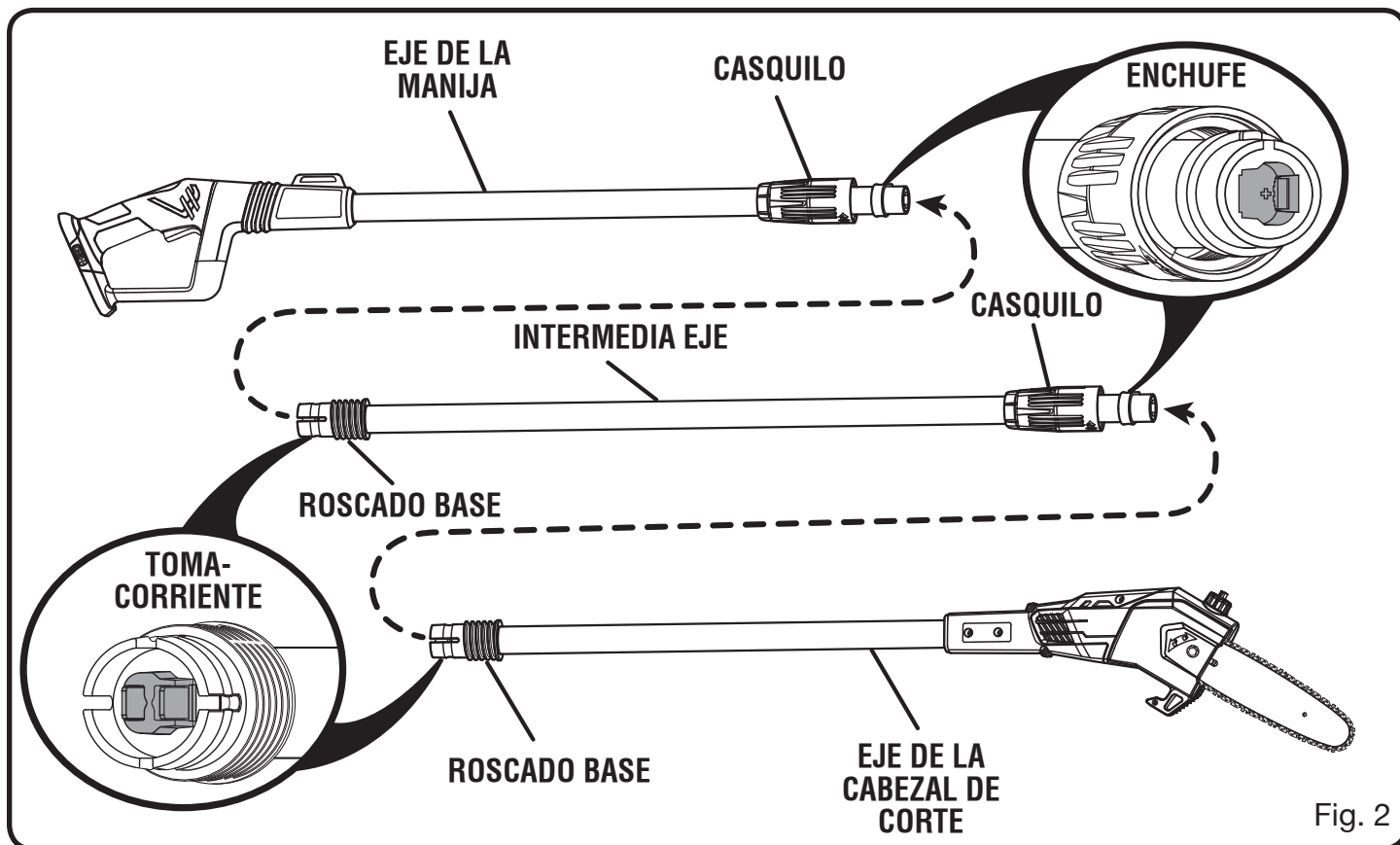
Correa para el hombro de liberación rápida

Manual del operador

ADVERTENCIA:

Si falta o está dañada alguna pieza, no utilice este producto sin haber reemplazado la pieza. Usar este producto con partes dañadas o faltantes puede causar lesiones serias al operador.

ARMADO



⚠ ADVERTENCIA:

No intente modificar este producto ni hacer accesorios no recomendados para la misma. Cualquier alteración o modificación constituye maltrato el cual puede causar una condición peligrosa, y como consecuencia posibles lesiones corporales serias.

⚠ ADVERTENCIA:

Para evitar un arranque accidental que podría causar lesiones corporales graves, siempre desconecte el cable de la bujía del motor de la bujía misma al ensamblar las piezas.

CÓMO ACOPLAR EL MANGO

Vea la figura 2.

- Inserte el enchufe de la barra intermedia en el tomacorriente de la barra mango y presiónelos el uno contra el otro hasta que encajen por completo. El enchufe es más grande de un lado y únicamente puede instalarse en una dirección.

- Baje el casquillo de la pértiga del mango hasta la base roscada de la pértiga intermedia y gírelo a la derecha para asegurarlo.
- Repita este procedimiento para conectar la pértiga intermedia al eje de la cabeza de corte.

NOTA: Una vez que se han ensamblado correctamente la barra del mango y al eje de la cabeza de corte, no deberán separarse de la barra intermedia cuando está tirado. Repita los pasos encima si las barras se separan de la barra intermedia.

⚠ ADVERTENCIA:

No montar y trabar todas las barras como se indicó anteriormente puede hacer que las barras se separen y causar lesiones personales graves o la muerte.

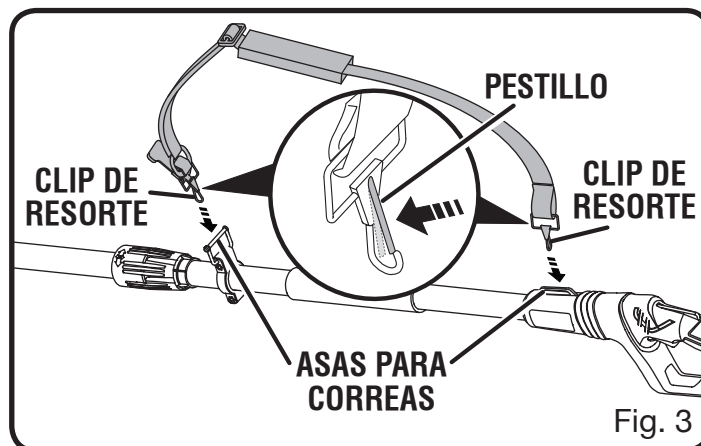
ARMADO

MONTAJE DE LA CORREA PARA EL HOMBRO DE LIBERACIÓN RÁPIDA

Vea la figura 3.

Para evitar la fatiga de espalda y hombros, use siempre la correa para el hombro de liberación rápida al operar esta herramienta. Si su espalda o hombros se adoloran, tome un descanso y luego ajuste la posición del correa.

- Mantenga oprimido el pestillo en el clip de resorte.
- Coloque el clip de resorte sobre la asa para correa y suelte el pestillo.
- Repita lo mismo con el clip de resorte restante.
- Coloque la correa para el hombro de liberación rápida sobre su hombro y ajuste para dejarla en una posición cómoda.



FUNCIONAMIENTO

⚠ PELIGRO:

Nunca couper cerca de líneas de corriente, cordón eléctrico o de otras fuentes eléctricas. Si mermeladas de barra y cadena en alguna cordón del eléctrica o líneas, ¡NO TOQUE LA BARRA NI LA CADENA! PUEDE CARGARSE DE ELECTRICIDAD Y SER MUY PELIGROSA. Continúe sujetando la eléctrica sierra de pértiga por el mango trasero, el cual está aislado, o déjela reposar lejos de usted, de alguna forma segura. Desconecte el servicio de corriente eléctrica conectado a la línea o cordón dañado antes de intentar liberar de éste(a) la hoja. Contacte con la barra, la cadena, otras partes conductivas de la eléctrica sierra de pértiga, o viven cordón eléctrico o líneas eléctricas puede producir la muerte por electrocución o lesiones serias.

⚠ ADVERTENCIA:

No permita que su familiarización con este producto le vuelva descuidado. Tenga presente que un descuido de un instante es suficiente para infligir una lesión grave.

⚠ ADVERTENCIA:

Siempre póngase protección ocular con protección lateral con la marca de cumplimiento de la norma ANSI Z87.1, así como protección para los oídos y la cabeza. La inobservancia de esta advertencia puede permitir que los objetos lanzados hacia los ojos y otros provocar lesiones graves.

⚠ ADVERTENCIA:

No utilice ningún aditamento o accesorio no recomendado por el fabricante de este producto. El empleo de aditamentos o accesorios no recomendados podría causar lesiones serias.

AVISO:

Antes de cada uso, inspeccione todo el producto para detectar partes dañadas, faltantes o sueltas, como tornillos, tuercas, pernos, tapas, etc. Apriete firmemente todos los sujetadores y las tapas y no accione este producto hasta que todas las partes faltantes o dañadas sean reemplazadas. Póngase en contacto con el servicio al cliente o con un centro de servicio autorizado para obtener ayuda.

FUNCIONAMIENTO

APLICACIONES

Este producto puede emplearse para los fines enumerado abajo:

- Desramado
- Poda

ABASTECIMIENTO DE LUBRICANTE PARA LA BARRA Y LA CADENA (NO INCLUIDO)

Vea la figura 4.

Use el lubricante Premium para barra y cadena (no incluido). Está diseñado para las cadenas y los sistemas de lubricación de las mismas, y está formulado para desempeñarse en una amplia gama de temperaturas sin requerir ninguna dilución.

NOTA: La sierra de pértiga viene de la fábrica con la barra y la cadena sin lubricante. También se debe verificar el nivel después de cada 20 minutos de uso y reabastecerlo según sea necesario.

- Retire la tapa del tanque de aceite de la cadena.
- Cuidadosamente vierta el lubricante para la barra y la cadena en el tanque correspondiente.
- Limpie el aceite sobrante.
- Revise el tanque de aceite y reabastézcalo cuando el indicador de nivel esté abajo de la penúltima línea indicadora.
- Repita el proceso según sea necesario.

NOTA: No use aceite sucio, usado o contaminado de ninguna forma. Puede dañarse la barra o la cadena.

NOTA: Es normal que el aceite se escurra de la sierra cuando no está ésta en uso. Para evitar el escurrimiento, vacíe el tanque de aceite cada vez después de usar la unidad y después póngalo a funcionar durante un minuto. Al guardar la unidad durante un largo período de tiempo (tres meses o más), asegúrese de lubricar ligeramente la cadena; de esta manera se evita la oxidación de la cadena y de la rueda dentada de la barra.

PARA DESMONTAR Y MONTAR EL PAQUETE DE BATERÍAS

Vea la figura 5.

⚠ ADVERTENCIA:

Retire siempre el paquete de baterías de la herramienta antes de instalar las piezas, realizar ajustes. Limpiarla o cuando no la utilice. Retirar el paquete de baterías evitará que la unidad se accione accidentalmente y provoque lesiones graves.

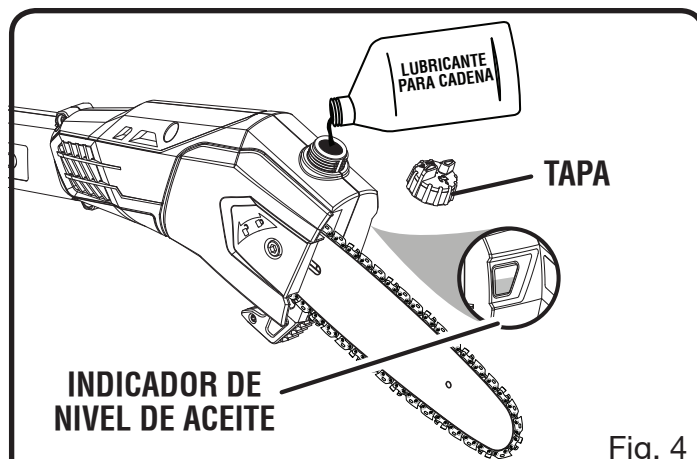


Fig. 4

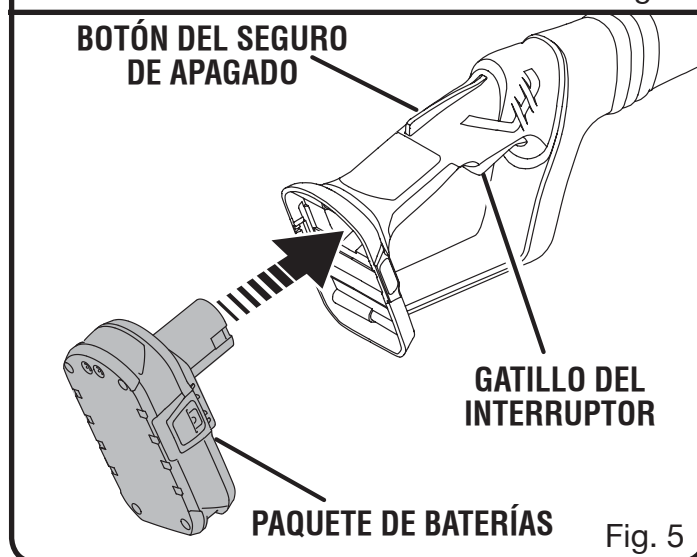


Fig. 5

NOTA: Para evitar lesiones corporales serias, siempre desmonte de la herramienta el paquete de baterías y mantenga manos vacías del botón del seguro al llevar herramienta.

Para conectar:

- Coloque el paquete de baterías en la sierra de pértiga. Alinee la costilla realzada del paquete de baterías con la ranura interior del receptáculo para baterías de la sierra de pértiga.

⚠ ADVERTENCIA:

S'assurer que les loquets du bloc-piles son bien enclenchés et que le bloc-piles est installé et fixé correctement avant de commencer le travail. Ne pas installer et fixer correctement le bloc-piles peut provoquer la chute de ce dernier et occasionner des blessures graves.

FUNCIONAMIENTO

Para el desmontaje:

Oprima los pestillos situados en ambos lados del paquete de baterías para soltar éste de la sierra de pértiga.

Para obtener instrucciones específicas de carga, lea el manual del operador que se incluye con el cargador y la batería.

ARRANQUE Y APAGADO

Vea las figuras 5 y 6.

Para arrancar el motor:

- Sujete la sierra de pértiga como se muestra y asegúrese de estar alejado de cualquier cosa que pueda tocar la hoja de corte.
- Oprima y no suelte el seguro del gatillo.
- Oprima el gatillo del interruptor.

Apagar el motor:

- Suelte el gatillo cuando desee apagar la sierra de pértiga. Al soltar el gatillo, el seguro del gatillo regresa automáticamente a la posición de aseguramiento.

PREPARACIÓN PARA EL CORTE

Vea las figuras 7 y 8.

- Póngase guantes antideslizantes para lograr la máxima capacidad de sujeción y protección.
- Mantenga una sujeción adecuada de la sierra siempre que esté funcionando el motor. Con la mano derecha sujete firmemente el mango posterior mientras sujeta firmemente el mango delantero con la izquierda.
- Sujete la sierra firmemente con ambas manos. Siempre mantenga la mano izquierda en el mango del frente y la mano derecha en el mango posterior, de manera que su cuerpo quede a la izquierda del plano de la cadena. Nunca use sujeta la unidad a zurdas (con la posición de las manos intercambiada), ni con el cuerpo en ninguna postura que pueda colocar el mismo o el brazo a través del plano de la cadena.
- Nunca se pare directamente abajo de la rama que va a cortar.
- Asegúrese de que esté bien apretada la casquillos antes de utilizar el equipo; verifique periódicamente el aprieta de los mismos durante el uso para evitar lesiones graves.

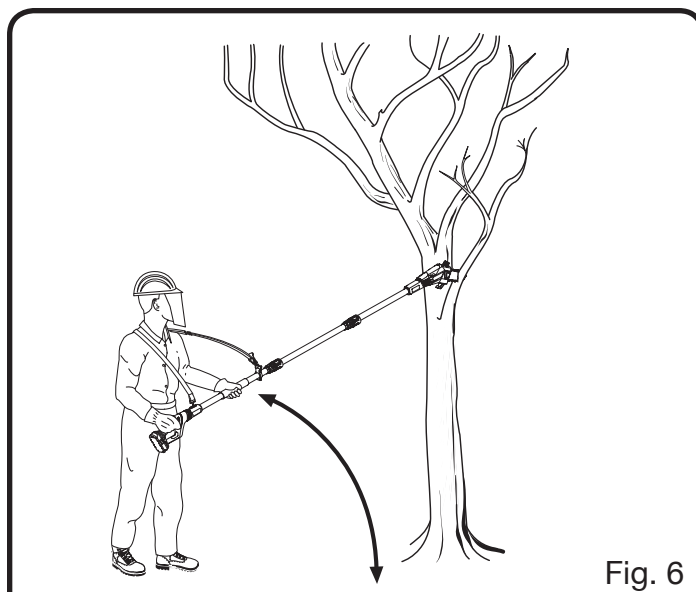


Fig. 6

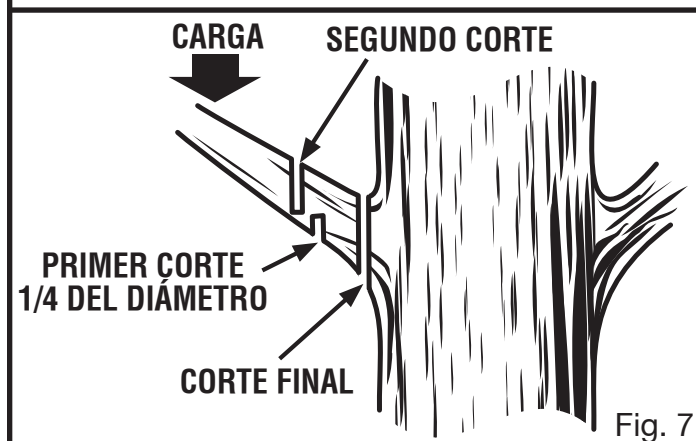


Fig. 7

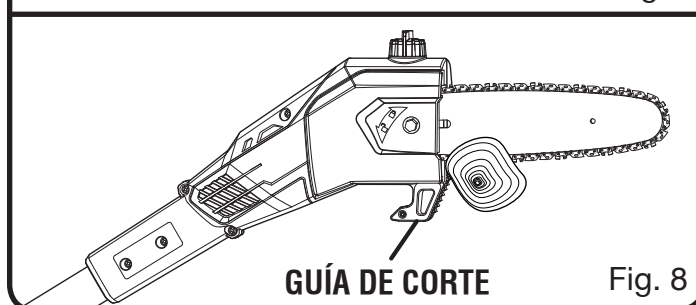


Fig. 8

PROCEDIMIENTO BÁSICO DE CORTE

Siga los pasos descritos abajo para evitar dañar la corteza del árbol o arbusto. No realice un movimiento de vaivén como en el aserrado.

- Primero efectúe un corte superficial (1/4 del diámetro de la rama) en el lado inferior de la rama, cerca de la rama progenitora o del tronco.
- Realice el segundo corte en el lado superior de la rama, por el lado exterior del primer corte con respecto al tronco. Continúe el corte a través de la rama, hasta que se separe del árbol.

FUNCIONAMIENTO

Esté preparado para equilibrar el peso de la herramienta cuando se caiga la rama.

- Efectúe el corte final cerca del tronco.

NOTA: Para los cortes segundo y final (por la parte superior de la rama), sostenga la guía de corte del frente contra la rama que se está cortando. Esto ayuda a evitar que se mueva la rama y facilita el corte. Permita que la cadena efectúe el corte; sólo aplique una leve presión hacia abajo. Si fuerza el corte, puede dañares la barra, la cadena o el motor.

- Suelte el gatillo tan pronto como se termine el corte.

Si no se sigue el procedimiento correcto de corte, la barra y la cadena se atorán y quedan pellizcadas o atrapadas en la rama. Si sucede esto:

- Apague el motor y retire el paquete de baterías.
- Si la rama se puede alcanzar desde el suelo, levante la rama mientras se sostiene el sierra. De esta manera se afloja el “pellizcamiento” y se libera la sierra.
- Si la sierra aún sigue atorada, solicite la ayuda de un profesional.

DESRAMADO Y PODA

Vea las figuras 9 y 10.

Esta unidad se diseñó para podar pequeñas ramas hasta de 152 mm (6 pulg.) de diámetro. Para obtener mejores resultados, observe las siguientes precauciones.

- Planifique cuidadosamente el corte. Tenga en cuenta la dirección en que caerá la rama.
- Las ramas pueden caer en direcciones inesperadas. No se pare directamente bajo la rama que esté cortando.
- El corte más común es colocando la unidad a un ángulo de 60° o menos, según cada situación en particular, como se demuestra. Conforme aumenta el ángulo del brazo de la sierra con respecto al suelo, aumenta la dificultad para efectuar el primer corte (por la parte inferior de la rama).
- Corte en varias etapas las ramas largas.
- Corte primero las ramas inferiores para dar más espacio para la caída de las ramas superiores.
- Trabaje lentamente, manteniendo ambas manos en la sierra y sujetándola firmemente. Mantenga bien apoyados los pies y bien equilibrado el cuerpo.

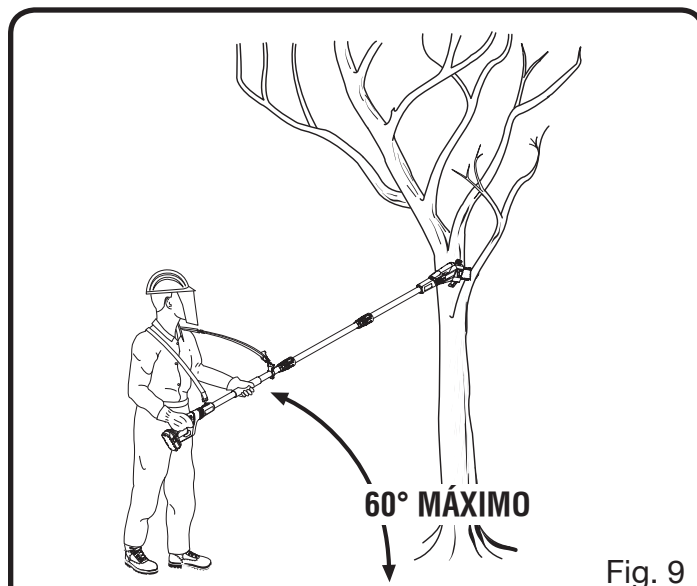


Fig. 9

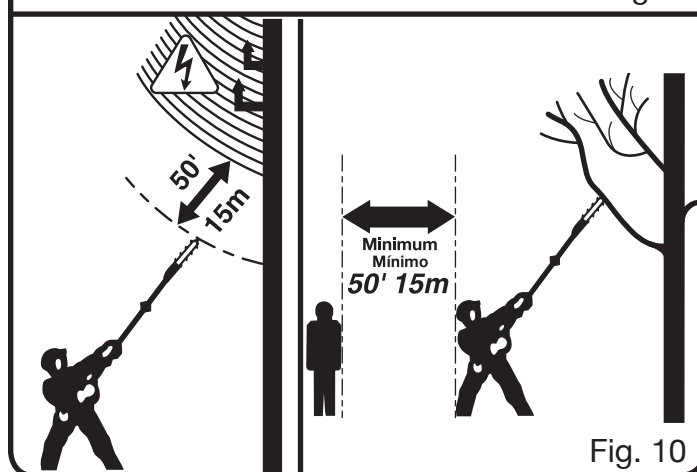


Fig. 10

- Mantenga el árbol entre usted y la cadena mientras realice el desramado. Corte la rama desde el lado opuesto del árbol.
- No realice tareas de corte subido en una escalera, ya que es extremadamente peligroso. Deje tal operación a los profesionales.
- No realice el corte de una rama junto a la rama o tronco de donde sale, sino hasta que haya recortado la primera para reducir el peso de la misma. Si se siguen los procedimientos de corte correctos se evita desprender la corteza del miembro progenitor.
- No utilice la sierra para tala ni para tronzar.
- Para protegerse de una posible electrocución, no trabaje a menos de 15 m (50 pies) de cables eléctricos aéreos.
- Mantenga a los circunstantes a una distancia mínima de 15 m (50 pies).

MANTENIMIENTO

ADVERTENCIA:

Antes de inspeccionar, limpiar o dar servicio a la unidad, apague el motor, espere a que se detengan todas las piezas en movimiento, y retire el paquete de baterías. El incumplimiento de cualquiera de estas instrucciones puede causar lesiones serias.

ADVERTENCIA:

Siempre póngase protección ocular con protección lateral con la marca de cumplimiento de la norma ANSI Z87.1, así como protección para los oídos y la cabeza. La inobservancia de esta advertencia puede permitir que los objetos lanzados hacia los ojos y otros provocar lesiones graves.

ADVERTENCIA:

Nunca use agua ni otros líquidos para limpiar o enjuagar la product y no exponga la unidad a la lluvia ni de condiciones húmedas. Almacene la unidad en el interior en un lugar seco. Los líquidos corrosivos, el agua, y los productos químicos pueden ingresar los componentes eléctricos del producto y/o al compartimiento de la batería y dañar los componentes eléctricos o el paquete de la batería, lo que podría resultar en un corto circuito, mayor riesgo de incendio y lesiones personales graves. Retire la acumulación de suciedad y los residuos limpiando el producto con un trapo seco de manera ocasional.

ADVERTENCIA:

Al dar servicio a la unidad, sólo utilice piezas de repuesto idénticas. El empleo de piezas diferentes puede causar un peligro o dañar el producto.

AVISO:

Inspeccione periódicamente todo el producto para detectar partes dañadas, faltantes o sueltas, como tornillos, tuercas, pernos, tapas, etc. Apriete firmemente todos los sujetadores y las tapas y no accione este producto hasta que todas las partes faltantes o dañadas sean reemplazadas. Póngase en contacto con el servicio al cliente o con un centro de servicio autorizado para obtener ayuda.

MANTENIMIENTO GENERAL

Evite el empleo de solventes al limpiar piezas de plástico. La mayoría de los plásticos son susceptibles a diferentes tipos de solventes comerciales y pueden resultar dañados. Utilice paños limpios para eliminar la suciedad, el polvo, el aceite, la grasa, etc.

ADVERTENCIA:

No permita en ningún momento que fluidos para frenos, gasolina, productos a base de petróleo, aceites penetrantes, etc., lleguen a tocar las piezas de plástico. Las sustancias químicas pueden dañar, debilitar o destruir el plástico, lo cual a su vez puede producir lesiones corporales serias.

Todas las tareas de servicio de la sierra de pértiga, aparte de los puntos indicados en las instrucciones de mantenimiento del manual de instrucciones, deben ser efectuadas por técnicos de servicio de sierra de pértiga competentes. (Por ejemplo, si se utiliza la herramienta inadecuada para sostener el volante a fin de retirar el embrague, pueden causarse daños estructurales al volante, lo cual a su vez puede originar el estallido del mismo).

MANTENIMIENTO

REEMPLAZO LA BARRA Y CADENA

Vea las figuras 11 a 14.

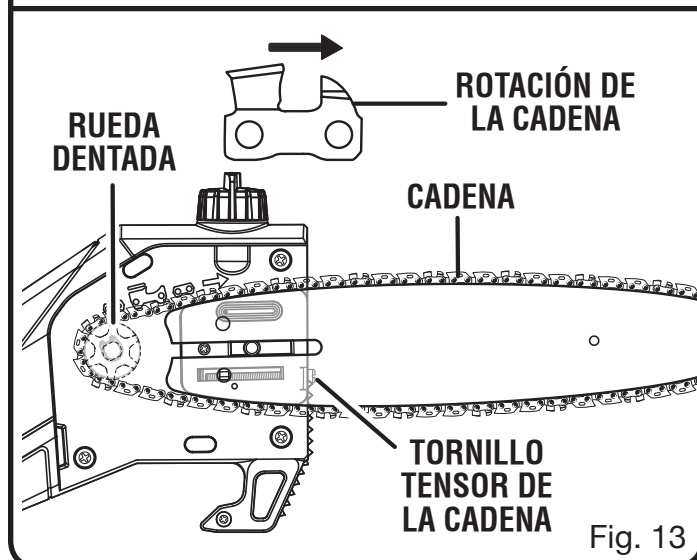
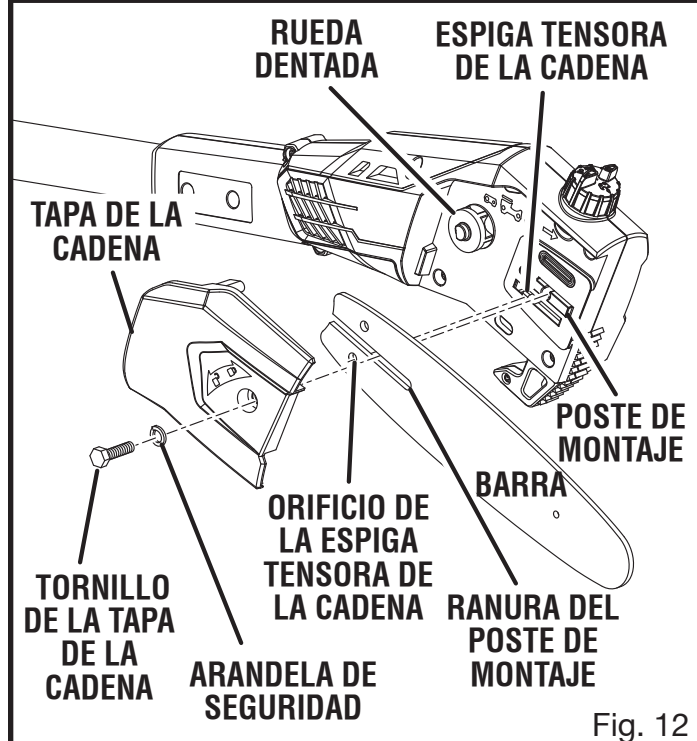
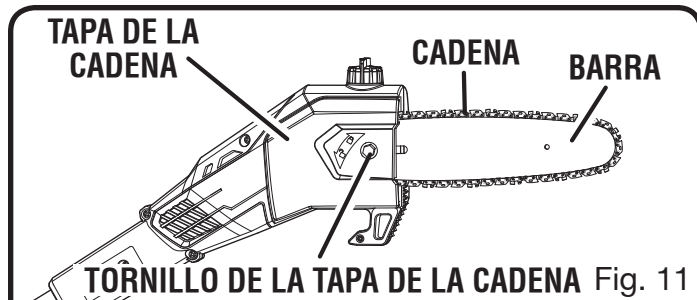
ADVERTENCIA:

Para evitar posibles lesiones graves, apague el motor y retire el paquete de baterías antes cambiar la barra, la cadena o realizar cualquier operación de mantenimiento.

- Con la llave de combinación suministrada, retirar el tornillo y la rondana de la tapa de la cadena, así como dicha tapa.
- La barra contiene una ranura que encaja en el poste de montaje. La barra también tiene un orificio de la espiga tensora de la cadena que queda sobre la espiga tensora de la cadena.
- Coloque la barra sobre el poste de montaje de modo que la espiga tensora de la cadena quede dentro del orificio para la misma.
NOTA: Si es necesario, rote el tornillo de tensión de la cadena en sentido antihorario hasta que se puedan alinear el pasador y el orificio.
- Acomode la cadena sobre la rueda dentada y dentro de la ranura de la barra. Los dientes de corte situados en la parte superior de la barra deben estar orientados hacia la punta de la barra, en la dirección de rotación de la cadena.
- Vuelva a colocar la cubierta de la cadena y vuelva a instalar la arandela y el tornillo. Apriete sólo con la mano la tornillo. La barra debe quedar libre para moverse para el ajuste de la tensión.
- Elimine toda la holgura de la cadena girando el tornillo tensor en el sentido de las manecillas del reloj, asegurándose que la cadena asienta dentro de la ranura de la barra durante el tensionado.
- Apriete firmemente la tornillo de la tapa de la cadena.

NOTA: La cadena está tensada correctamente cuando no hay holgura de la misma en la parte inferior de la barra, la cadena se siente bien ajustada en la barra, y puede avanzarse con la mano sin ningún atoramiento de aquélla.

Si queda demasiado ajustada la cadena, no podrá desplazarse. Afloje levemente la tornillo de la tapa de la cadena y gire 1/4 de vuelta hacia la izquierda el tornillo de ajuste de la tensión. Apretar firmemente la tornillo de la tapa de la cadena.



MANTENIMIENTO

AJUSTE DE LA TENSIÓN DE LA CADENA

Vea las figuras 15 y 16.

⚠ ADVERTENCIA:

Apague el motor, espere a que se detengan todas las piezas en movimiento y retire el paquete de baterías. Nunca toque ni ajuste la cadena mientras esté funcionando el motor. La cadena de la sierra está sumamente afilada. Siempre lleve puestos guantes protectores al efectuar labores de mantenimiento de la cadena. El incumplimiento de estas instrucciones podría causar lesiones personales de gravedad.

La tensión apropiada de la cadena es esencial para que la motosierra funcione de manera adecuada. Verifique siempre la tensión de la cadena antes de usar la sierra y periódicamente hasta completar el trabajo.

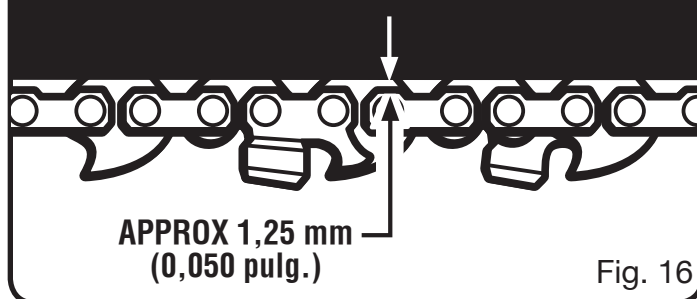
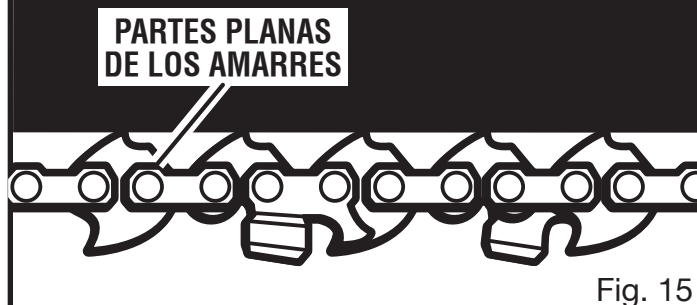
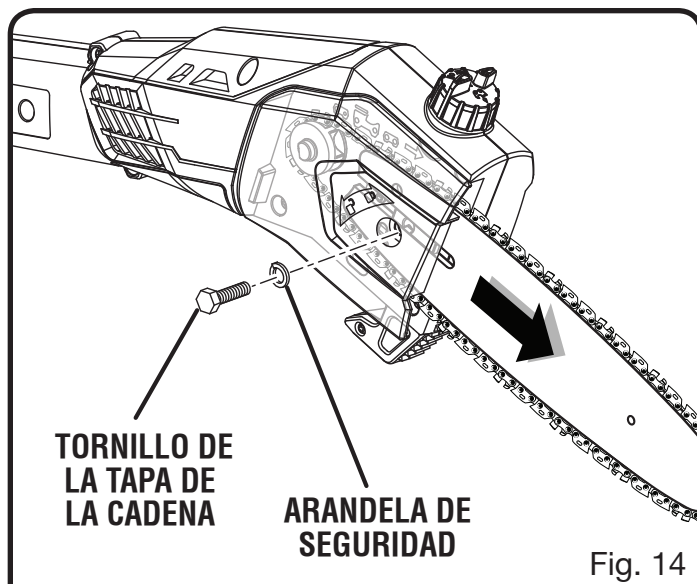
Una cadena fría está tensionada correctamente cuando no está floja en la parte inferior de la barra guía. La cadena debe estar ajustada, pero aún así puede girarse con la mano sin amarrar.

Una cadena caliente está correctamente tensionada cuando las partes planas de los amarres cuelgan a aproximadamente 1,27 mm (0,05 pulg.) de la ranura de la barra.

Si es necesario un ajuste:

- Aflojar el tornillo de tensado de la cadena estén al punto de apriete con los dedos.
- Levante la punta de la barra guía y siga sujetando hasta el fin del procedimiento.
- Gire el tornillo de tensión de la cadena en sentido horario hasta que las partes planas de los amarres de la cadena hagan contacto con la barra, asegurándose de que los eslabones impulsores estén bien ubicados en la ranura de la barra.
- Apriete firmemente el tornillo de tensado de la cadena.
- Suelte la punta de la barra guía y verifique que la cadena ahora esté correctamente tensionada con la directrices anteriores.

NOTA: Si queda demasiado ajustada la cadena, no podrá desplazarse. Afloje levemente el tornillo de tensado de la cadena y gire 1/4 de vuelta hacia la izquierda el tornillo de ajuste de la tensión. Levante la punta de la barra guía y vuelva a apretar firmemente el tornillo de tensado de la cadena de dicha barra. Asegúrese de que la cadena se desplace sin atorarse.



NOTA: Las cadenas nuevas tienden a estirarse; revise frecuentemente la tensión de la cadena y tense ésta según se requiera.

AVISO:

Si se tensa la cadena estando ésta caliente, puede quedar demasiado apretada al enfriarse. Revise la "tensión en frío" de la cadena, antes de usar la sierra.

MANTENIMIENTO

LUBRICADOR DE LA CADENA

Vea la figura 17.

- Use el lubricante premium para la barra y la cadena. Está diseñado para las cadenas y los sistemas de lubricación de las mismas, y está formulado para desempeñarse en una amplia gama de temperaturas sin requerir ninguna dilución.
- Retire la tapa y vierta cuidadosamente aproximadamente 6 cl (2 onzas) de lubricante para la barra y la cadena en el tanque del lubricador de la cadena.
- Vuelva a colocar la tapa y apriétela firmemente.
- Revise y vuelva a llenar el tanque de lubricante para barra cada vez que utilice la sierra de pértiga.

NOTA: No use lubricante sucio, usado o contaminado de ninguna forma. Puede dañarse la bomba de aceite, la barra o la cadena.

MANTENIMIENTO DE LA CADENA

Vea la figura 18.

⚠ ADVERTENCIA:

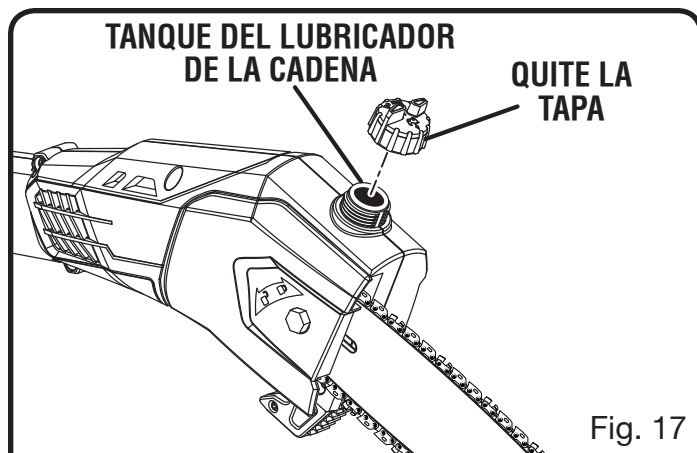
Retire el paquete de baterías y asegúrese de que se haya detenido la cadena antes de realizar cualquier labor de mantenimiento de la sierra para evitar el arranque accidental y posibles lesiones personales graves.

Para poder dar un corte liso y rápido, la cadena necesita recibir un mantenimiento adecuado. Las siguientes circunstancias indican que la cadena necesita afilarse:

- Las virutas de madera son pequeñas y polvorientas
- La cadena debe forzarse por la madera durante el corte
- La cadena corta hacia un lado

Durante el mantenimiento de la sierra considere lo siguiente:

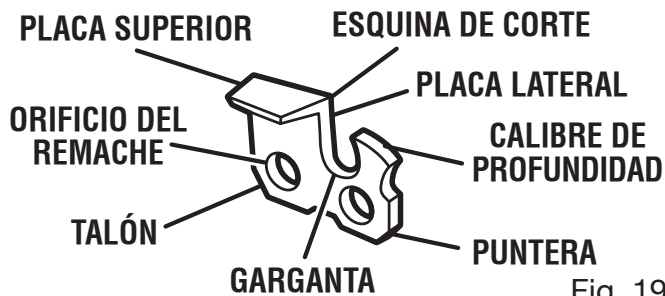
- Un ángulo incorrecto de limadura de la placa lateral puede aumentar el riesgo de un contragolpe violento.
- El ajuste de la profundidad determina la profundidad a la que el diente de corte entra en la madera y el tamaño de la viruta de madera que se quita. Demasiado claro aumenta el peligro de contragolpe. Muy poco claro disminuye el tamaño de los pedazos de madera, disminuyendo la habilidad de corte de la cadena.



ESPACIO LIBRE DE LOS DIENTES LIMPIADORES (CALIBRES DE PROFUNDIDAD)



PARTES DE UN DIENTE DE CORTE



- Si los dientes de corte han tocado objetos duros como clavos y piedras, o han sido desgastados por el lodo o la arena presentes en la madera, permita que afilen la cadena en un establecimiento de servicio apropiado para la tarea.

FORMA DE AFILAR LOS DIENTES DE CORTE

Vea las figuras 19 a 22.

Tenga cuidado de afilar todos los dientes de corte a los ángulos especificados y a la misma longitud, ya que sólo puede lograrse un corte rápido cuando están uniformes todos los dientes de corte.

MANTENIMIENTO

⚠ ADVERTENCIA:

La cadena de la sierra está sumamente afilada; siempre póngase guantes protectores al efectuar labores de mantenimiento de la cadena para evitar lesiones personales graves.

- Tense adecuadamente la cadena antes de afilarla. Consulte el apartado **Ajuste de la tensión de la cadena**, más arriba en este manual. Efectúe toda la limadura en el punto medio de la barra.
- Use una lima redonda de 5/32 pulg. de diámetro con mango.
- Mantenga la lima al nivel de la placa superior de los dientes de corte. No permita que la lima se incline ni se balancee.
- Con presión leve pero firme, pase la lima por el diente, hacia la esquina delantera del mismo. Levante la lima para separarla del acero en cada movimiento de regreso.
- Dé unas pocas pasadas firmes a cada diente de corte. Lime todos los dientes de corte izquierdos en una dirección. Después lleve la lima al otro lado y lime los dientes de corte derechos en la dirección opuesta. Ocasionalmente, con un cepillo de alambre limpie las limaduras producidas por la lima.

⚠ ADVERTENCIA:

Un afilado inadecuado de la cadena aumenta el peligro de contragolpe, lo que podría resultar en lesiones personales graves.

⚠ ADVERTENCIA:

Si no se cambia o se repara la cadena cuando está dañada, puede causar lesiones serias.

AVISO:

Si la cadena está desafilada o mal afilada, durante el corte puede causar una velocidad excesiva del motor, lo cual puede dañarlo.

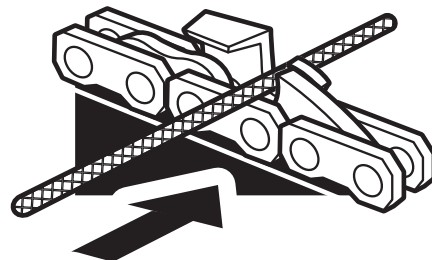


Fig. 20

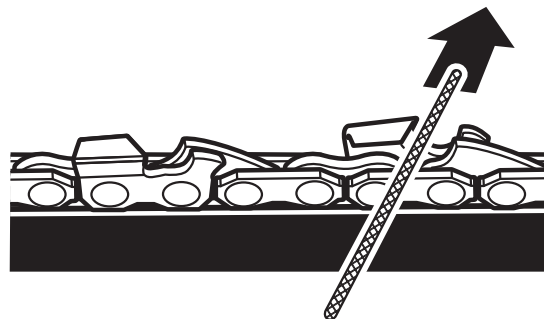


Fig. 21

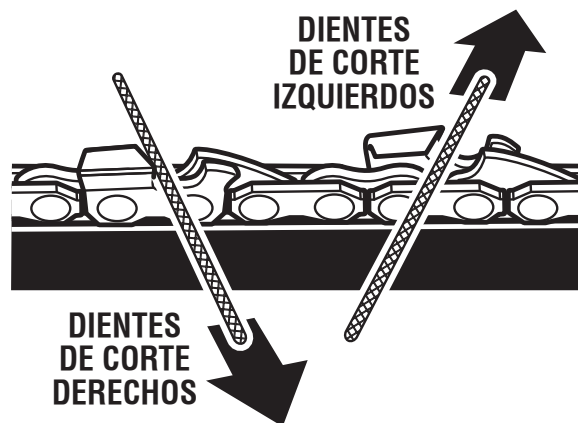


Fig. 22

ALMACENAMIENTO DE LA PRODUCTO

Vea la figura 23.

⚠ ADVERTENCIA:

Retire siempre el paquete de baterías antes de transportar o guardar la motosierra. Coloque el paquete de baterías en interiores, en un lugar seco y seguro, fuera del alcance de niños cuando lo guarde. Si no sigue estas instrucciones, la unidad podría encenderse accidentalmente o podrían usarla sin autorización, lo que podría ocasionar lesiones personales graves.

MANTENIMIENTO

- Limpie todo material extraño de la producto. Almacene la unidad en un espacio bien ventilado inaccesible a los niños. Evite que la unidad entre en contacto con agentes corrosivos como las sustancias químicas para el jardín y las sales para derretir el hielo.
- Siempre coloque la funda en la barra cuando transporte o guarde la sierra. La funda queda apretada y se debe colocar cuidadosamente debido a los dientes filosos de la cadena de la sierra. Esto se hace mejor sujetando la funda de un extremo y de su parte central, y colocarla cuidadosamente con un movimiento de deslizamiento en la cadena, como se demuestra. Tenga precaución y evite tocar los afilados dientes de la cadena.

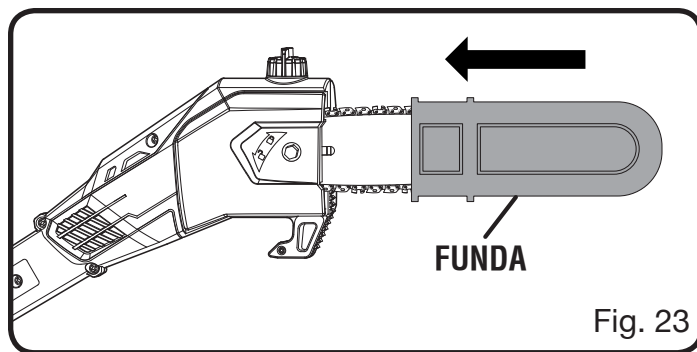


Fig. 23

NOTA: La cadena de la sierra está sumamente afilada. Siempre póngase guantes protectores al manejar de la cadena.

SOLUCIÓN DE PROBLEMAS

PROBLEMA	CAUSA	SOLUCIÓN
La barra y la cadena están muy calientes y despiden humo.	Revise la tensión de la cadena para ver si es excesiva. Está vacío el tanque del lubricador de la cadena.	Tensión de la cadena. Consulte el apartado Ajuste de la tensión de la cadena , más arriba en este manual. Revise el tanque del lubricador.
El motor funciona pero la cadena no avanza.	Demasiada tensión en la cadena. Revise el conjunto de la barra guía y la cadena. Revise la barra guía y la cadena para ver si están dañadas.	Vuelva a tensar la cadena. Consulte el apartado Ajuste de la tensión de la cadena , más arriba en este manual. Consulte la sección Reemplazo la barra y cadena más arriba en este manual. Inspeccione la barra guía y la cadena para ver si están dañados.

Este producto tiene una garantía limitada de tres años para fines personales, familiares o domésticos (90 días para usos trabajo o comercial). Para obtener detalles sobre la garantía, diríjase a www.ryobitools.com o llame sin cargo al 1-800-860-4050.



OPERATOR'S MANUAL
MANUEL D'UTILISATION / MANUAL DEL OPERADOR
18 VOLT POLE SAW
SCIE DE MANCHE 18 V / SIERRA DE PÉRTIGA DE 18 V
P4360/P4360VNM

- **PARTS AND SERVICE:** Prior to requesting service or purchasing replacement parts, please obtain your item, manufacturing, and serial numbers from the product data plate.

ITEM NO. _____

MANUFACTURING NO. _____

SERIAL NO. _____

HOW TO OBTAIN REPLACEMENT PARTS: Replacement parts can be purchased online at www.ryobitools.com or by calling 1-800-860-4050. Replacement parts can also be obtained at one of our service centers.

HOW TO LOCATE A SERVICE CENTER: Service centers can be located online at www.ryobitools.com or by calling 1-800-860-4050.

HOW TO OBTAIN CUSTOMER OR TECHNICAL SUPPORT: To obtain customer or technical support please contact us at 1-800-860-4050.

RYOBI is a trademark of Ryobi Limited and is used pursuant to a license granted by Ryobi Limited.

- **PIÈCES ET SERVICE :** Avant de faire la demande de service ou l'achat de pièces de remplacement, veuillez obtenir le numéro d'article, le numéro de fabrication et le numéro de série à partir de la plaque de données du produit.

NUMÉRO D'ARTICLE _____

NUMÉRO DE FABRICATION _____

NUMÉRO DE SÉRIE _____

COMMENT OBTENIR LES PIÈCES DE REMPLACEMENT : Les pièces de remplacement peuvent être achetées en ligne sur le site www.ryobitools.com ou par téléphone au 1-800-860-4050. Les pièces de remplacement peuvent être obtenues à un de nos centres de service.

COMMENT TROUVER UN CENTRE DE SERVICE : Les centres de service peuvent être localisés en ligne au www.ryobitools.com ou en téléphonant au 1-800-860-4050.

COMMENT OBTENIR DE L'AIDE EN CONTACTANT LE SERVICE À LA CLIENTÈLE : Pour contacter le service à la clientèle pour une question technique ou pour tout autre renseignement, veuillez nous téléphoner au 1-800-860-4050.

RYOBI est une marque de Ryobi Limited et est utilisée en vertu d'une licence accordée par Ryobi Limited.

- **PIEZAS DE REPUESTO Y SERVICIO:** Antes de solicitar servicio técnico o comprar piezas de repuesto, obtenga su número de artículo, el número de fabricación y el número de serie de la placa de datos del producto.

NÚMERO DE ARTÍCULO _____

NÚMERO DE FABRICACIÓN _____

NÚMERO DE SERIE _____

CÓMO OBTENER PIEZAS DE REPUESTO: Las piezas de repuesto se pueden comprar en nuestro sitio en la red mundial, en la dirección www.ryobitools.com o llamando al 1-800-860-4050. Las piezas de repuesto también se pueden obtener en uno de nuestros centros de servicio.

CÓMO LOCALIZAR UN CENTRO DE SERVICIO: Puede encontrar los centros de servicio visitando nuestro sitio en la red mundial, en la dirección www.ryobitools.com or by calling 1-800-860-4050.

CÓMO OBTENER SERVICIO O ASISTENCIA TÉCNICA AL CONSUMIDOR: Para obtener servicio o asistencia técnica al consumidor, sírvase comunicarse con nosotros llamando al 1-800-860-4050.

RYOBI es una marca de Ryobi Limited y se utiliza conforme a una licencia otorgada por Ryobi Limited.

TECHTRONIC INDUSTRIES POWER EQUIPMENT

P.O. Box 1288, Anderson, SC 29622 USA
1-800-860-4050 • www.ryobitools.com



OPERATOR'S MANUAL

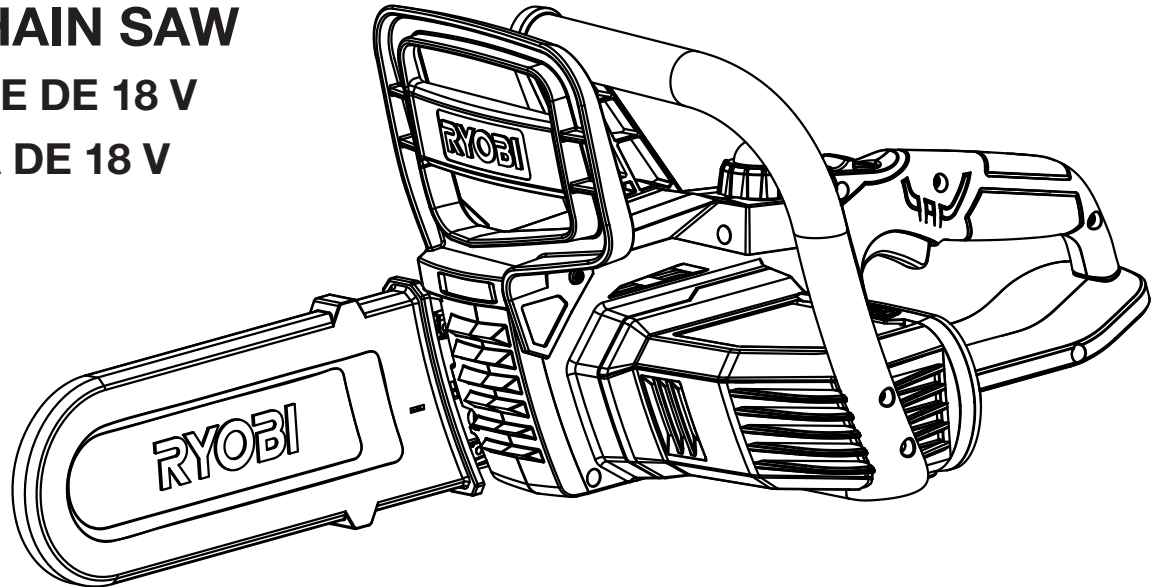
MANUEL D'UTILISATION
MANUAL DEL OPERADOR

18 VOLT CHAIN SAW

SCIE À CHAÎNE DE 18 V

MOTOSIERRA DE 18 V

P546



Your chain saw has been engineered and manufactured to our high standard for dependability, ease of operation, and operator safety. When properly cared for, it will give you years of rugged, trouble-free performance.

⚠ WARNING: To reduce the risk of injury, the user must read and understand the operator's manual before using this product.

Thank you for your purchase.

SAVE THIS MANUAL FOR FUTURE REFERENCE

Cette scie à chaîne a été conçue et fabriquée conformément aux strictes normes de fiabilité, simplicité d'emploi et sécurité d'utilisation. Correctement entretenue, elle vous donnera des années de fonctionnement robuste et sans problème.

⚠ AVERTISSEMENT : Pour réduire les risques de blessures, l'utilisateur doit lire et veiller à bien comprendre le manuel d'utilisation avant d'employer ce produit.

Merci de votre achat.

**CONSERVER CE MANUEL POUR
FUTURE RÉFÉRENCE**

Su motosierra inalámbrica ha sido diseñada y fabricada de conformidad con nuestras estrictas normas para brindar fiabilidad, facilidad de uso y seguridad para el operador. Con el debido cuidado, le brindará muchos años de sólido y eficiente funcionamiento.

⚠ ADVERTENCIA: Para reducir el riesgo de lesiones, el usuario debe leer y comprender el manual del operador antes de usar este producto.

Le agradecemos su compra.

**GUARDE ESTE MANUAL PARA
FUTURAS CONSULTAS**

TABLE OF CONTENTS

TABLE DES MATIÈRES / ÍNDICE DE CONTENIDO

■ Introduction	2
Introduction / Introducción	
■ General Power Tool Safety Warnings.....	3-4
Avertissements règles de sécurité relatives aux outils électriques / Advertencias de seguridad para herramientas eléctricas	
■ Chain Saw Safety Warnings.....	5-9
Avertissements de sécurité relatifs au scie à chaîne / Advertencias de seguridad de la motosierra	
■ Symbols	10-11
Symboles / Símbolos	
■ Glossary of Terms.....	12
Glossaire / Glosario de términos	
■ Features.....	13
Caractéristiques / Características	
■ Assembly.....	14
Assemblage / Armado	
■ Operation.....	14-23
Utilisation / Funcionamiento	
■ Maintenance.....	24-29
Entretien / Mantenimiento	
■ Troubleshooting.....	30
Dépannage / Corrección de problemas	
■ Warranty	31
Garantie / Garantía	
■ Parts Ordering and Service	Back Page
Commande de pièces et réparation / Pedidos de piezas y servicio	Page arrière / Pág. posterior

INTRODUCTION

INTRODUCCIÓN

This product has many features for making its use more pleasant and enjoyable. Safety, performance, and dependability have been given top priority in the design of this product making it easy to maintain and operate.

* * *

Ce produit offre de nombreuses fonctions destinées à rendre son utilisation plus plaisante et satisfaisante. Lors de la conception de ce produit, l'accent a été mis sur la sécurité, les performances et la fiabilité, afin d'en faire un outil facile à utiliser et à entretenir.

* * *

Este producto ofrece numerosas características para hacer más agradable y placentero su uso. En el diseño de este producto se ha conferido prioridad a la seguridad, el desempeño y la fiabilidad, por lo cual se facilita su manejo y mantenimiento.

GENERAL POWER TOOL SAFETY WARNINGS

WARNING

Read all safety warnings and all instructions. Failure to follow the warnings and instructions may result in electric shock, fire and/or serious injury.

Save all warnings and instructions for future reference. The term “power tool” in the warnings refers to your mains-operated (corded) power tool or battery-operated (cordless) power tool.

WORK AREA SAFETY

- **Keep work area clean and well lit.** Cluttered or dark areas invite accidents.
- **Do not operate power tools in explosive atmospheres, such as in the presence of flammable liquids, gases or dust.** Power tools create sparks which may ignite the dust or fumes.
- **Keep children and bystanders away while operating a power tool.** Distractions can cause you to lose control.

ELECTRICAL SAFETY

- **Power tool plugs must match the outlet. Never modify the plug in any way. Do not use any adapter plugs with earthed (grounded) power tools.** Unmodified plugs and matching outlets will reduce risk of electric shock.
- **Avoid body contact with earthed or grounded surfaces such as pipes, radiators, ranges and refrigerators.** There is an increased risk of electric shock if your body is earthed or grounded.
- **Do not expose power tools to rain or wet conditions.** Water entering a power tool will increase the risk of electric shock.
- **Do not abuse the cord. Never use the cord for carrying, pulling or unplugging the power tool. Keep cord away from heat, oil, sharp edges or moving parts.** Damaged or entangled cords increase the risk of electric shock.
- **When operating a power tool outdoors, use an extension cord suitable for outdoor use.** Use of a cord suitable for outdoor use reduces the risk of electric shock.

- **If operating a power tool in a damp location is unavoidable, use a ground fault circuit interrupter (GFCI) protected supply.** Use of a GFCI reduces the risk of electric shock.

PERSONAL SAFETY

- **Stay alert, watch what you are doing and use common sense when operating a power tool. Do not use a power tool while you are tired or under the influence of drugs, alcohol or medication.** A moment of inattention while operating power tools may result in serious personal injury.
- **Use personal protective equipment. Always wear eye protection.** Protective equipment such as dust mask, non-skid safety shoes, hard hat, or hearing protection used for appropriate conditions will reduce personal injuries.
- **Prevent unintentional starting. Ensure the switch is in the off-position before connecting to power source and/or battery pack, picking up or carrying the tool.** Carrying power tools with your finger on the switch or energising power tools that have the switch on invites accidents.
- **Remove any adjusting key or wrench before turning the power tool on.** A wrench or a key left attached to a rotating part of the power tool may result in personal injury.
- **Do not overreach. Keep proper footing and balance at all times.** This enables better control of the power tool in unexpected situations.
- **Dress properly. Do not wear loose clothing or jewellery. Keep your hair, clothing and gloves away from moving parts.** Loose clothes, jewellery or long hair can be caught in moving parts.
- **If devices are provided for the connection of dust extraction and collection facilities, ensure these are connected and properly used.** Use of dust collection can reduce dust-related hazards.

POWER TOOL USE AND CARE

- **Do not force the power tool. Use the correct power tool for your application.** The correct power tool will do the job better and safer at the rate for which it was designed.

GENERAL POWER TOOL SAFETY WARNINGS

- **Do not use the power tool if the switch does not turn it on and off.** Any power tool that cannot be controlled with the switch is dangerous and must be repaired.
- **Disconnect the plug from the power source and/or the battery pack from the power tool before making any adjustments, changing accessories, or storing power tools.** Such preventive safety measures reduce the risk of starting the power tool accidentally.
- **Store idle power tools out of the reach of children and do not allow persons unfamiliar with the power tool or these instructions to operate the power tool.** Power tools are dangerous in the hands of untrained users.
- **Maintain power tools. Check for misalignment or binding of moving parts, breakage of parts and any other condition that may affect the power tool's operation. If damaged, have the power tool repaired before use.** Many accidents are caused by poorly maintained power tools.
- **Keep cutting tools sharp and clean.** Properly maintained cutting tools with sharp cutting edges are less likely to bind and are easier to control.
- **Use the power tool, accessories and tool bits etc. in accordance with these instructions, taking into account the working conditions and the work to be performed.** Use of the power tool for operations different from those intended could result in a hazardous situation.

BATTERY TOOL USE AND CARE

- **Recharge only with the charger specified by the manufacturer.** A charger that is suitable for one type of battery pack may create a risk of fire when used with another battery pack.
- **Use power tools only with specifically designated battery packs.** Use of any other battery packs may create a risk of injury and fire.
- **When battery pack is not in use, keep it away from other metal objects, like paper clips, coins, keys, nails, screws or other small metal objects, that can make a connection from one terminal to another.** Shorting the battery terminals together may cause burns or a fire.
- **Under abusive conditions, liquid may be ejected from the battery; avoid contact. If contact accidentally occurs, flush with water. If liquid contacts eyes, additionally seek medical help.** Liquid ejected from the battery may cause irritation or burns.

SERVICE

- **Have your power tool serviced by a qualified repair person using only identical replacement parts.** This will ensure that the safety of the power tool is maintained.
- **When servicing a power tool, use only identical replacement parts. Follow instructions in the Maintenance section of this manual.** Use of unauthorized parts or failure to follow Maintenance instructions may create a risk of shock or injury.

CHAIN SAW SAFETY WARNINGS

- **Keep all parts of the body away from the saw chain when the chain saw is operating. Before you start the chain saw, make sure the saw chain is not contacting anything.** A moment of inattention while operating chain saws may cause entanglement of your clothing or body with the saw chain.
- **Always hold the chain saw with your right hand on the rear handle and your left hand on the front handle.** Holding the chain saw with a reversed hand configuration increases the risk of personal injury and should never be done.
- **Hold the power tool by insulated gripping surfaces only, because the saw chain may contact hidden wiring.** Saw chains contacting a “live” wire may make exposed metal parts of the power tool “live” and could give the operator an electric shock.
- **Wear safety glasses and hearing protection. Further protective equipment for head, hands, legs and feet is recommended.** Adequate protective clothing will reduce personal injury by flying debris or accidental contact with the saw chain.
- **Do not operate a chain saw in a tree.** Operation of a chain saw while up in a tree may result in personal injury.
- **Always keep proper footing and operate the chain saw only when standing on fixed, secure and level surface.** Slippery or unstable surfaces such as ladders may cause a loss of balance or control of the chain saw.
- **When cutting a limb that is under tension be alert for spring back.** When the tension in the wood fibres is released the spring loaded limb may strike the operator and/or throw the chain saw out of control.
- **Use extreme caution when cutting brush and saplings.** The slender material may catch the saw chain and be whipped toward you or pull you off balance.
- **Carry the chain saw by the front handle with the chain saw switched off and away from your body. When transporting or storing the chain saw always fit the guide bar cover.**

Proper handling of the chain saw will reduce the likelihood of accidental contact with the moving saw chain.

- **Follow instructions for lubricating, chain tensioning and changing accessories.** Improperly tensioned or lubricated chain may either break or increase the chance for kickback.
- **Keep handles dry, clean, and free from oil and grease.** Greasy, oily handles are slippery causing loss of control.
- **Cut wood only. Do not use chain saw for purposes not intended. For example: do not use chain saw for cutting plastic, masonry or non-wood building materials.** Use of the chain saw for operations different than intended could result in a hazardous situation.

CAUSES AND OPERATOR PREVENTION OF KICKBACK

Kickback may occur when the nose or tip of the guide bar touches an object, or when the wood closes in and pinches the saw chain in the cut.

Tip contact in some cases may cause a sudden reverse reaction, kicking the guide bar up and back towards the operator.

Pinching the saw chain along the top of the guide bar may push the guide bar rapidly back towards the operator.

Either of these reactions may cause you to lose control of the saw which could result in serious personal injury. Do not rely exclusively upon the safety devices built into your saw. As a chain saw user, you should take several steps to keep your cutting jobs free from accident or injury.

Kickback is the result of tool misuse and/or incorrect operating procedures or conditions and can be avoided by taking proper precautions as given below:

- **Maintain a firm grip, with thumbs and fingers encircling the chain saw handles, with both hands on the saw and position your body and arm to allow you to resist kickback forces.** Kickback forces can be controlled by the operator, if proper precautions are taken. Do not let go of the chain saw.

CHAIN SAW SAFETY WARNINGS

- **Do not overreach and do not cut above shoulder height.** This helps prevent unintended tip contact and enables better control of the chain saw in unexpected situations.
- **Only use replacement bars and chains specified by the manufacturer.** Incorrect replacement bars and chains may cause chain breakage and/or kickback.
- **Follow the manufacturer's sharpening and maintenance instructions for the saw chain.** Decreasing the depth gauge height can lead to increased kickback.
- Do not start cutting until you have a clear work area, secure footing, and a planned retreat path from the falling tree. Cluttered areas invite accidents.
- Keep ALL children, bystanders, visitors, and animals out of the work area while starting or cutting with the chain saw. Do not let visitors contact chain saw or extension cord.
- Do not operate chain saw in explosive atmospheres, such as in the presence of flammable liquids, gases, or dust. Chain saws create sparks which may ignite the dust or fumes.
- Dress Properly - Wear snug fitting clothing. Always wear heavy, long pants, long sleeves, overalls, jeans or chaps made of cut resistant material or ones that contain cut resistant inserts. Wear non-slip safety footwear. Wear non-slip heavy duty gloves to improve your grip and to protect your hands. Do not wear jewelry, short pants, sandals, or go barefoot. Do not wear loose fitting clothing, which could be drawn into the motor or catch the chain or underbrush. Secure hair so it is above shoulder level. Wear hearing and head protection.
- Heavy protective clothing may increase operator fatigue, which could lead to heat stroke. During weather that is hot and humid, heavy work should be scheduled for early morning or late afternoon hours when temperatures are cooler.
- Always wear eye protection with side shields marked to comply with ANSI Z87.1 as well as hearing and head protection when operating this equipment.
- Always be aware of what you are doing when using the chain saw. Use common sense. Do not operate the chain saw when you are tired, ill, upset, or under the influence of alcohol, drugs, or medication.
- Do not expose the chain saw to rain.
- Do not use the chain saw in damp or wet locations.
- Stay alert and pay attention to what you are doing. Use common sense when using this unit.
- Keep all parts of your body away from the saw chain when the unit is running.
- Never let anyone use your chain saw who has not received adequate instructions in its proper use. This applies to rentals as well as privately owned saws.
- Before you start the unit, make sure the saw chain is not contacting any object.
- Stop the chain saw before setting it down.
- To avoid accidental starting, never carry the unit with your finger on the switch trigger.
- Maintain the unit with care. Keep the cutting edge sharp and clean for best performance and to reduce the risk of injury. Follow instructions for lubricating and changing accessories.
- Do not operate a chain saw with one hand! Use a firm grip with thumbs and fingers encircling the chain saw handles. Serious injury to the operator, helpers, bystanders, or any combination of these persons may result from one-handed operation. A chain saw is intended for two-handed use.
- Guard against electric shock - Avoid body contact with grounded surfaces such as metal pipes and wire fences. There is an increased risk of electric shock if your body is grounded.
- Do not operate a chain saw that is damaged, improperly adjusted, or not completely and securely assembled. Chain should slow to a stop when the switch trigger is released. If the chain continues to turn after the switch trigger has been released, have the unit serviced by an authorized service center.

CHAIN SAW SAFETY WARNINGS

- Check for damaged parts. Check for alignment of moving parts, binding of moving parts, breakage of parts, mounting, and any other conditions that may affect its operation. A guard or other part that is damaged should be properly repaired or replaced by an authorized service center unless otherwise indicated elsewhere in this manual.
- All chain saw service, other than the items listed in the operation and maintenance sections, should be performed by your an authorized service center.
- Always maintain a proper stance.
- Do not use chain saw if switch does not turn it on and off. Have defective switch replaced by an authorized service center.
- Do not adapt your powerhead to a bow guide or use it to power any attachments or devices not listed for the saw.
- Disconnect chain saw from power supply when not in use, before servicing, and when making adjustments and changing attachments, such as saw chain and guard.
- Do not cut vines and/or small underbrush.
- Do not operate a chain saw in a tree, on a ladder, rooftop, scaffold, or other unstable support; this is extremely dangerous.
NOTE: The size of the work area depends on the job being performed as well as the size tree or work piece involved. For example, felling a tree requires a larger work area than making bucking cuts.
- Do not force the chain saw. The job can be performed better and safer at the rate for which it was intended.
- Always use the right product for your application. The chain saw should be used for cutting wood only. Never use the chain saw to cut plastic, masonry or non-wood building materials.
- Store chain saw when not charging or when not in use. Chain saw should be stored in a dry and high or locked area out of the reach of children. When storing chain saw place the scabbard on the bar and chain.
- Use only with battery and charger listed. For use with 20V lithium-ion battery packs. See Tool/Appliance/Battery Pack/Charger Correlation Supplement 990000811.
- Battery operated units do not have to be plugged into an electrical outlet; therefore, they are always in operating condition. Be aware of possible hazards even when unit is not operating.
- Remove the battery pack from the chain saw when not charging and before cleaning, servicing, storing, removing material from the unit, changing accessories such as the bar and chain, or when not in use.
- Save these instructions. Refer to them frequently and use them to instruct others who may use this product. If you loan someone this product, loan them these instructions also.

CHAIN SAW SAFETY WARNINGS

KICKBACK

See Figures 1 - 3.

WARNING

Kickback may occur when the moving chain contacts an object at the upper portion of the tip of the guide bar or when the wood closes in and pinches the saw chain in the cut. Contact at the upper portion of the tip of the guide bar can cause the chain to dig into the object and stop the chain for an instant. The result is a lightning fast, reverse reaction which kicks the guide bar up and back toward the operator. If the saw chain is pinched along the top of the guide bar, the guide bar can be driven rapidly back toward the operator. Either of these reactions can cause loss of saw control which can result in serious injury. Do not rely exclusively upon the safety devices built into the saw. As a chain saw user, you should take several steps to keep your cutting jobs free from accident or injury.

■ The following precautions should be followed to minimize kickback:

- Always grip the saw firmly with both hands. Hold the saw firmly with both hands when the unit is running. Place your right hand on the rear handle and your left hand on the front handle with your thumbs and fingers encircling the chain saw handles. A firm grip together with a stiff left arm will help you maintain control of the saw if kickback occurs.
- Make sure that the area in which you are cutting is free from obstructions. Do not let the nose of the guide bar contact a log, branch, fence, or any other obstruction that could be hit while you are operating the saw.
- Always cut with the unit running at full speed. Fully squeeze the throttle trigger and maintain a steady cutting speed.
- Use replacement parts such as low kickback chain and special guide bars that reduce the risks associated with rotational kickback. Use only the replacement guide bars and low kickback chains specified by the manufacturer for the saw.

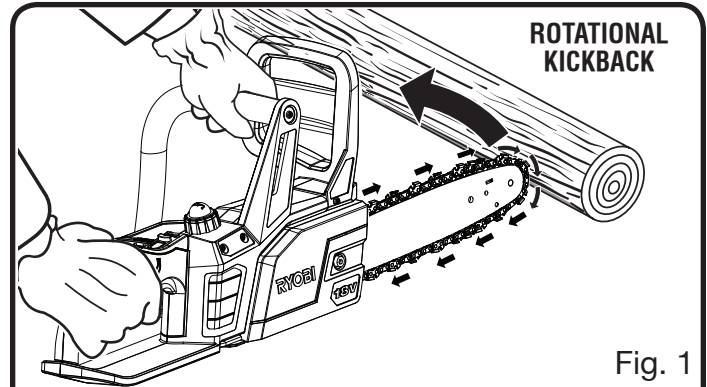


Fig. 1

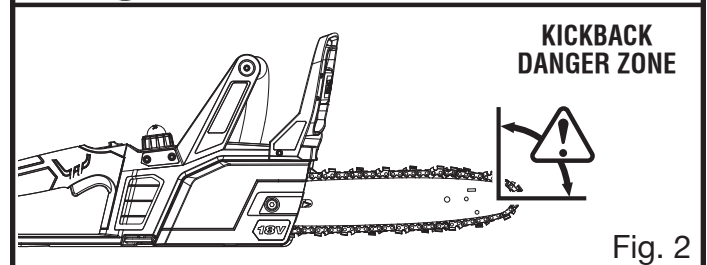


Fig. 2

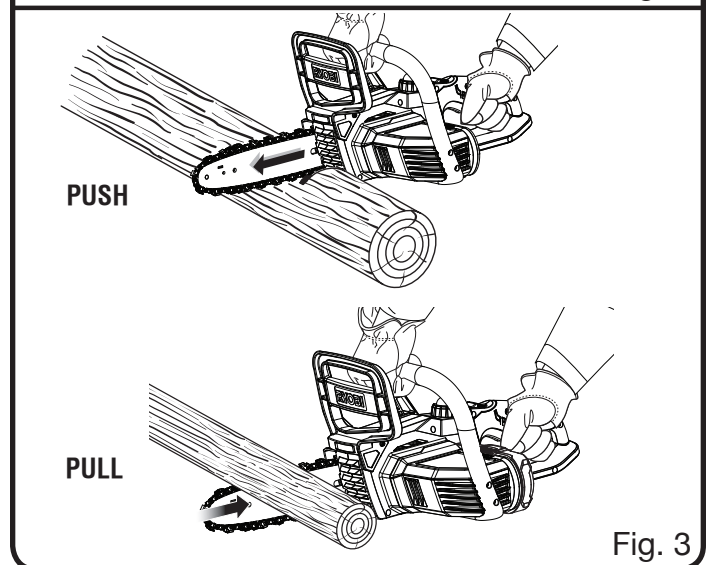


Fig. 3

- With a basic understanding of kickback, you can reduce or eliminate the element of surprise. Sudden surprise contributes to accidents.
- Do not overreach. Keep proper footing and balance at all times.
- Do not cut above shoulder height or overreach when cutting. Do not let the nose of the guide bar contact a log, branch, ground, or any other obstruction while you are operating the unit.
- Follow the sharpening and maintenance instructions for the saw chain.

CHAIN SAW SAFETY WARNINGS

- Push and Pull - This reaction force is always opposite to the direction the chain is moving where wood contact is made. Thus, the operator must be ready to control the PULL when cutting on the bottom edge of the bar, and PUSH when cutting along the top edge. *See Figure 3.*

UNDERSTANDING YOUR CHAIN SAW SAFETY DEVICES

LOW KICKBACK SAW CHAIN

The rakers (depth gauges) ahead of each cutter can minimize the force of a kickback reaction by preventing the cutters from digging in too deeply at the kickback zone. Only use replacement chain that is equivalent to original chain or has been certified as low kickback chain per ANSI B175.1.

Low kickback saw chain is chain that has met the kickback performance requirements of ANSI B175.1 (American National Standard for Power Tools - Gasoline-Powered Chain Saws-Safety Requirements) when tested on the representative sample of chain saws below 3.8 c.i.d. specified in ANSI B175.1.

As saw chains are sharpened during their useful life, they lose some of the low kickback qualities and extra caution should be used.




GUIDE BARS

Generally, guide bars with small radius tips have somewhat lower kickback potentials.







When making a replacement, be sure to order one of the bars listed for the saw in this operator's manual.

SYMBOLS

The following signal words and meanings are intended to explain the levels of risk associated with this product.







SYMBOL	SIGNAL	MEANING
	DANGER:	Indicates an imminently hazardous situation, which, if not avoided, will result in death or serious injury.
	WARNING:	Indicates a potentially hazardous situation, which, if not avoided, could result in death or serious injury.
	CAUTION:	Indicates a potentially hazardous situation, which, if not avoided, may result in minor or moderate injury.
	NOTICE:	(Without Safety Alert Symbol) Indicates important information not related to an injury hazard, such as a situation that may result in property damage.

Some of the following symbols may be used on this product. Please study them and learn their meaning. Proper interpretation of these symbols will allow you to operate the product better and safer.

SYMBOL	NAME	DESIGNATION/EXPLANATION
	Safety Alert	Indicates a potential personal injury hazard.
	Read Operator's Manual	To reduce the risk of injury, user must read and understand operator's manual before using this product.
	Eye, Hearing, and Head Protection	Always wear eye protection with side shields marked to comply with ANSI Z87.1, along with hearing and head protection when operating this equipment.
	Wet Conditions Alert	Do not expose to rain or use in damp locations.
	Operate With Two Hands	Hold and operate the saw properly with both hands.
	One Handed	Do not operate the saw using only one hand.

SYMBOLS

Some of the following symbols may be used on this product. Please study them and learn their meaning. Proper interpretation of these symbols will allow you to operate the product better and safer.

SYMBOL	NAME	DESIGNATION/EXPLANATION
	Kickback	DANGER! BEWARE OF KICKBACK.
	Bar Nose Contact	Avoid bar nose contact.
	Wear Gloves	Wear non-slip, heavy-duty protective gloves when handling the chain saw.
	Wear Safety Footwear	Wear non-slip safety footwear when using this equipment.
	Keep Tool Away from Electrical Lines/Keep Bystanders Away	DANGER! Risk of electrocution! Keep tool 50 feet away from electrical lines. Keep all bystanders at least 50 ft. away or twice the height of the largest trees in the felling area when felling.
	Recycle Symbols	This product uses lithium-ion or nickel-cadmium batteries. Local, state or federal laws may prohibit disposal of batteries in ordinary trash. Consult your local waste authority for information regarding available recycling and/or disposal options.
V	Volts	Voltage
≡	Direct Current	Type or a characteristic of current

GLOSSARY OF TERMS

Bucking

The process of cross cutting a felled tree or log into lengths.

Chain Saw Powerhead

A chain saw without the saw chain and guide bar.

Drive Sprocket or Sprocket

The toothed part that drives the saw chain.

Felling

The process of cutting down a tree.

Felling Back Cut

The final cut in a tree felling operation made on the opposite side of the tree from the notching undercut.

Front Hand Guard

A structural barrier between the front handle of a chain saw and the guide bar, typically located close to the hand position on the front handle.

Front Handle

The support handle located at or toward the front of the chain saw. This handle is for the left hand.

Guide Bar

A solid railed structure that supports and guides the saw chain.

Kickback

The backward or upward motion, or both, of the guide bar occurring when the saw chain near the nose of the top area of the guide bar contacts any object such as a log or branch, or when the wood closes in and pinches the saw chain in the cut.

Kickback (Pinch)

The rapid pushback of the saw which can occur when the wood closes in and pinches the moving saw chain in the cut along the top of the guide bar.

Kickback (Rotational)

The rapid upward and backward motion of the saw which can occur when the moving saw chain near the upper portion of the tip of the guide bar contacts an object, such as a log or branch.

Lock-out Button

A movable stop that prevents the unintentional operation of the switch until manually actuated.

Low-Kickback Chain

A chain that complies with the kickback performance requirements of ANSI B175.1 when tested on a representative sample of chain saws.

Normal Cutting Position

Those positions assumed in performing the bucking and felling cuts.

Notching Undercut

A notch cut in a tree that directs the tree's fall.

Rear Handle

The support handle located at or toward the rear of the saw. It normally contains the throttle. This handle is for the right hand.

Reduced Kickback Guide Bar

A guide bar which has been demonstrated to reduce kickback significantly.

Replacement Saw Chain

A chain that complies with the kickback performance requirements of ANSI B175.1 when tested with specific chain saws. It may not meet the ANSI performance requirements when used with other saws.

Saw Chain

A loop of chain having cutting teeth that cut the wood, and that is driven by the motor and is supported by the guide bar.

Springpole

A small tree (sapling) or limb that is bent or trapped under tension. It may "spring back" rapidly when cut, causing a dangerous situation.

Switch Trigger

A device that when operated will complete or interrupt an electrical power circuit to the motor of the chain saw.

FEATURES

PRODUCT SPECIFICATIONS

Motor..... 18 Volt DC
 Bar Length..... 10 in.

NOTE: This saw was designed for occasional light duty use and has some limitations as to what it can cut.

KNOW YOUR CHAINSAW

See Figure 4.

The safe use of this product requires an understanding of the information on the product and

in this operator's manual as well as a knowledge of the project you are attempting. Before use of this product, familiarize yourself with all operating features and safety rules.

RECOMMENDED REPLACEMENT BAR AND CHAIN COMBINATIONS

Bar Part Number	Chain Part Number
311278001	693814001

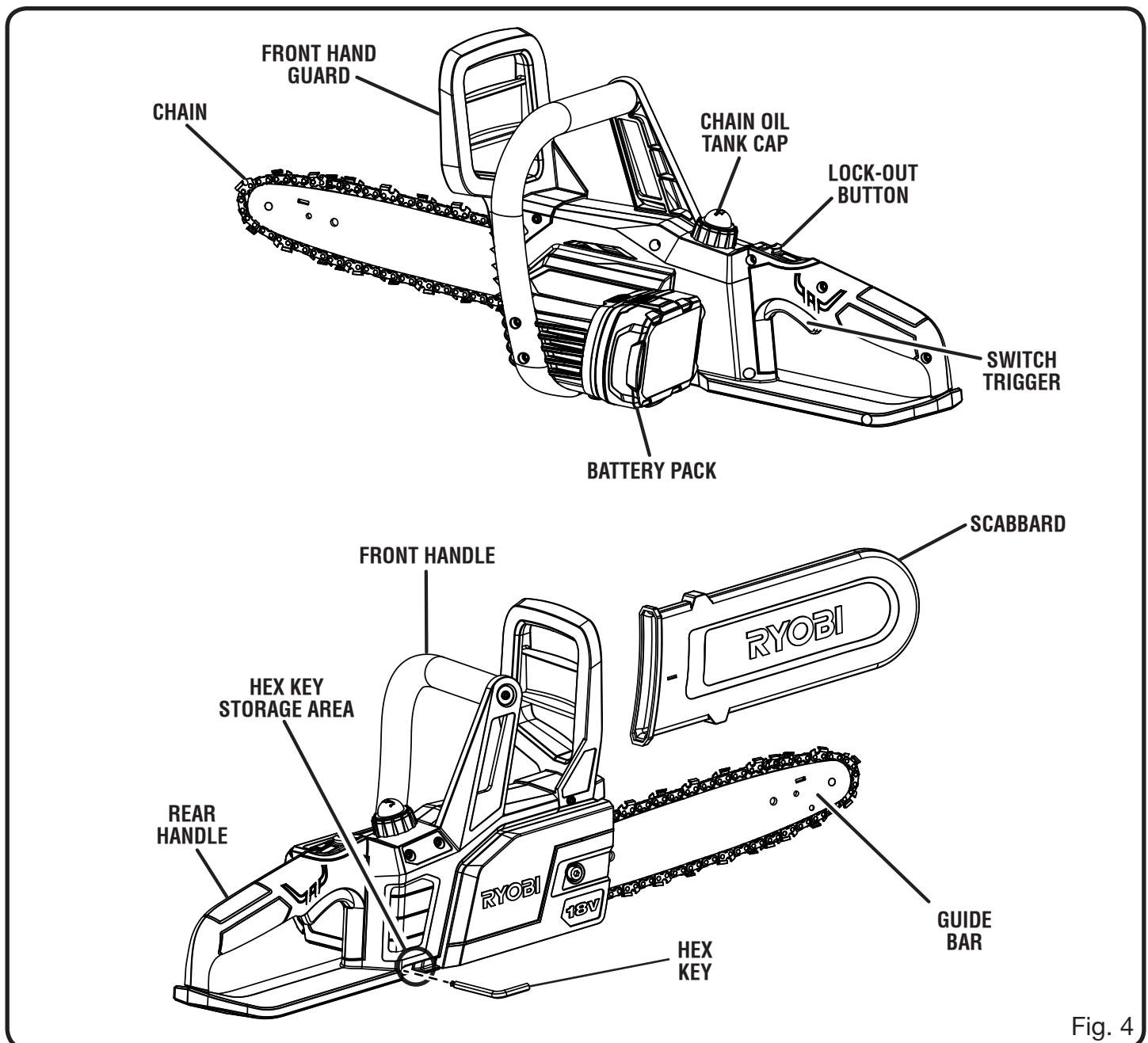


Fig. 4

ASSEMBLY

UNPACKING

This product has been shipped completely assembled.

- Carefully remove the product and any accessories from the box. Make sure that all items listed in the packing list are included.

WARNING:

Do not use this product if it is not completely assembled or if any parts appear to be missing or damaged. Use of a product that is not properly and completely assembled could result in serious personal injury.

- Inspect the product carefully to make sure no breakage or damage occurred during shipping.
- Do not discard the packing material until you have carefully inspected and satisfactorily operated the product.
- If any parts are damaged or missing, please call 1-800-860-4050 for assistance.

PACKING LIST

Chain Saw with Scabbard

Hex Key

Operator's Manual

WARNING:

If any parts are damaged or missing do not operate this product until the parts are replaced. Use of this product with damaged or missing parts could result in serious personal injury.

WARNING:

Do not attempt to modify this product or create accessories not recommended for use with this product. Any such alteration or modification is misuse and could result in a hazardous condition leading to possible serious personal injury.

WARNING:

To prevent accidental starting that could cause serious personal injury, always remove the battery pack from the product when assembling parts.

OPERATION

DANGER:

Never cut near power lines, electric cords, or other electric sources. If bar and chain jams on any electrical cord or line, **DO NOT TOUCH THE BAR OR CHAIN! THEY CAN BECOME ELECTRICALLY LIVE AND VERY DANGEROUS.** Continue to hold the chain saw by the insulated rear handle or lay it down and away from you in a safe manner. Disconnect the electrical service to the damaged line or cord before attempting to free the bar and chain from the line or cord. Contact with the bar, chain, other conductive parts of the chain saw, or live electric cords or lines will result in death by electrocution, electric shock, or serious personal injury.

OPERATION

⚠ WARNING:

Do not allow familiarity with this product to make you careless. Remember that a careless fraction of a second is sufficient to inflict serious injury.

⚠ WARNING:

Always wear eye protection with side shields marked to comply with ANSI Z87.1, along with hearing and head protection. Failure to do so could result in objects being thrown into your eyes resulting in possible serious injury.

⚠ WARNING:

Do not use any attachments or accessories not recommended by the manufacturer of this product. The use of attachments or accessories not recommended can result in serious personal injury.

⚠ WARNING:

Never fell a tree or cut a log or limb that has a diameter greater than the length of the guide bar. Only properly trained professionals should perform these cuts. Performing these types of cuts can cause an accident and result in death or serious personal injury.

NOTICE:

Before each use, inspect the entire product for damaged, missing, or loose parts such as screws, nuts, bolts, caps, etc. Tighten securely all fasteners and caps and do not operate this product until all missing or damaged parts are replaced. Please contact customer service or an authorized service center for assistance.

APPLICATIONS

You may use this product for the following purposes:

- Limbing and pruning branches from trees
- Felling small trees
- Bucking the fallen tree into shorter lengths

This product will accept Ryobi One+ 18 V lithium-ion battery packs and Ryobi One+ 18 V nickel-cadmium battery packs.

For complete charging instructions, refer to the Operator's Manual for your Ryobi One+ battery pack and charger models.

TO INSTALL / REMOVE BATTERY PACK

See Figure 5.

⚠ WARNING:

Always remove battery pack from your tool when you are assembling parts, making adjustments, cleaning, carrying, transporting or when not in use. Removing battery pack will prevent accidental starting that could cause serious personal injury.

NOTE: To avoid serious personal injury, always remove the battery pack and keep hands clear of the look-out button when carrying or transporting the tool.

To install:

- Place the battery pack in your chain saw. Align raised rib on battery pack with groove in chain saw's battery port.
- Make sure the latches on each side of the battery pack snap in place and that battery pack is secured in chain saw before beginning operation.

To remove:

Locate latches on side of battery pack and depress both sides to release the battery pack from the chain saw.

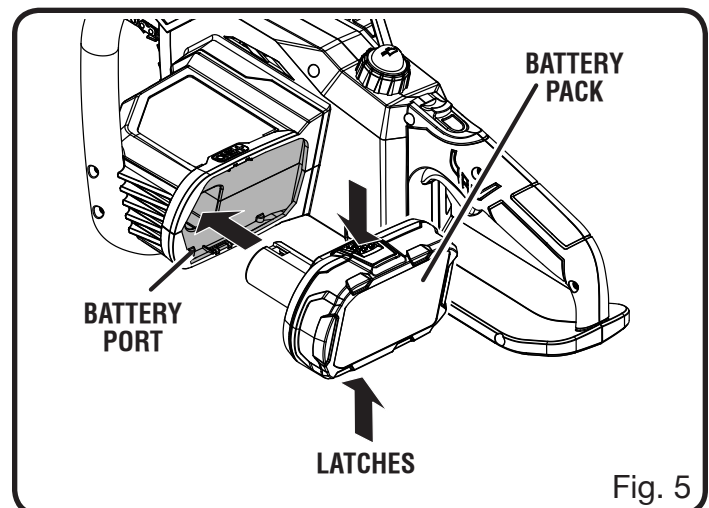


Fig. 5

OPERATION

NOTICE:

When placing battery pack in your chain saw, be sure raised rib on battery pack aligns with groove in chain saw's battery port and latches snap in place properly. Improper assembly of battery pack can cause damage to internal components.

NOTICE:

Remove battery pack from unit. Fill oil tank with Ryobi Bar and Chain Lubricant before starting the chain saw. Failure to lubricate the chain will cause damage to the bar and chain.

CHAIN LUBRICATION SYSTEM

See Figure 6.

- Use Ryobi Bar and Chain Lubricant. It is formulated to perform over a wide temperature range with no dilution required.

NOTE: Do not use dirty, used or otherwise contaminated lubricants. Damage may occur to the bar or chain.

- Carefully pour the bar and chain lubricant into the tank.
- Check and fill the oil tank when battery is recharged, or as needed.
- Depress the oil tank cap once to pump the lubricant to the chain before starting the saw.
- To keep the chain lubricated while cutting, depress the oil tank cap once every few minutes.

NOTE: It is normal for lubricant to seep from the saw when not in use. To prevent seepage, empty the oil tank after each use. When storing the unit for a long period of time (three months or longer) be sure the chain is lightly lubricated; this will prevent rust on the chain and bar sprocket.

STARTING AND STOPPING THE CHAIN SAW

See Figure 7.

⚠ WARNING:

Keep body to the left of the chain line. Never straddle the saw or chain, or lean over past the chain line.

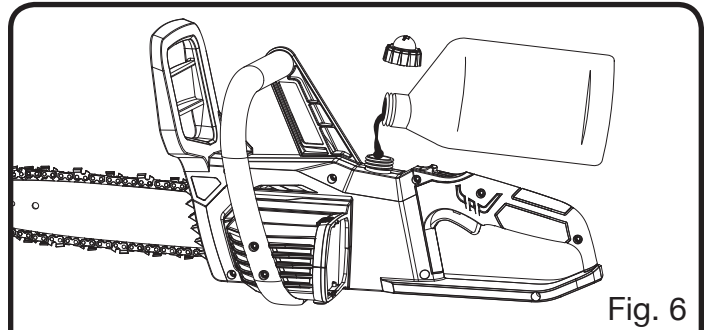


Fig. 6

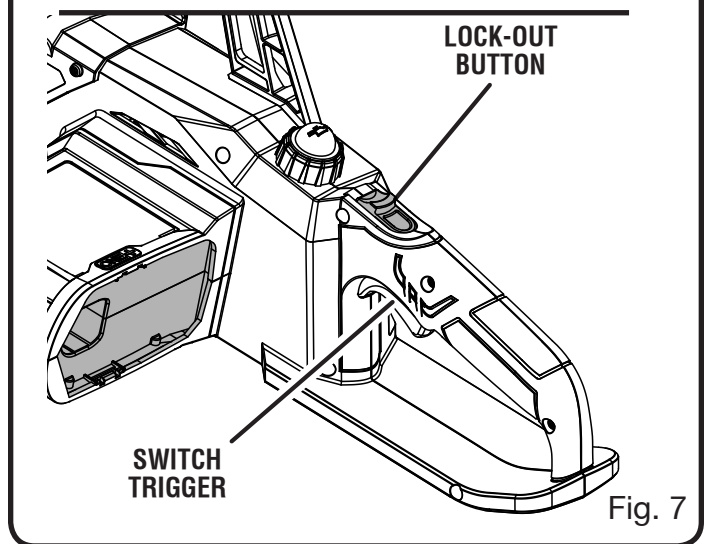
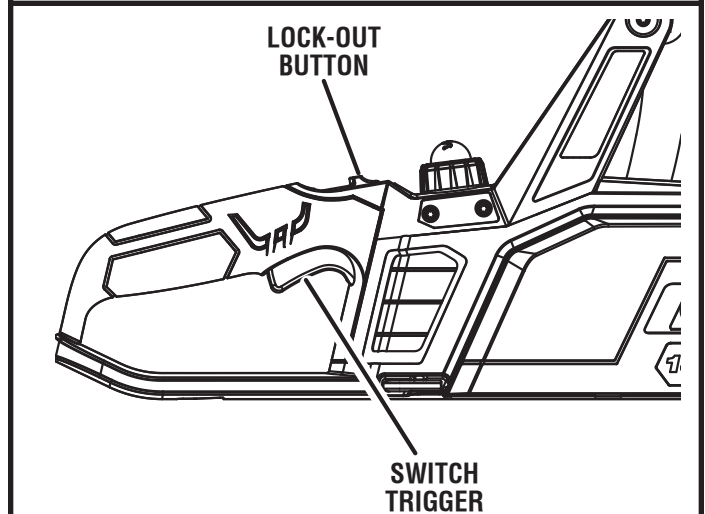


Fig. 7

Starting the chain saw:

- Place the chain saw on a flat bare surface and make sure no objects or obstructions are in immediate vicinity which could come in contact with the bar and chain.
- Press and hold the lock-out button. This makes the switch trigger operational.
- Press and hold the switch trigger, release the lock-out button and continue to squeeze the switch trigger for continued operation.

OPERATION

Stopping the chain saw:

- Release the switch trigger to stop the chain saw.
- Upon release of the switch trigger, the lock-out button will be automatically reset to the lock position.

This cordless chain saw is not designed for cutting trees larger than 7 in. in diameter.

This cordless chain saw is designed for limbing and pruning type cutting, as well as cutting trees up to 7 in. in diameter only.

PREPARATION FOR CUTTING

PROPER GRIP ON HANDLES

See Figures 8 - 10.

Refer to *Important Safety Instructions* earlier in this manual for appropriate safety equipment.

- Wear non-slip gloves for maximum grip and protection.
- Hold the saw firmly with both hands. Always keep your left hand on the front handle and your right hand on the rear handle so that your body is to the left of the chain line.

⚠ WARNING:

Never use a left-handed (cross-handed) grip, or any stance which would place your body or arm across the chain line.

- Maintain a proper grip on the saw whenever the unit is running. The fingers should encircle the handle and the thumb is wrapped under the handlebar. This grip is least likely to be broken (by a kickback or other sudden reaction of the saw). Any grip in which the thumb and fingers are on the same side of the handle, is dangerous because a slight kick of the saw can cause loss of control.

⚠ WARNING:

Do not operate the switch trigger with your left hand and hold the front handle with your right hand. Never allow any part of your body to be in the chain line while operating a saw. Improper operation of the chain saw could result in serious personal injury.

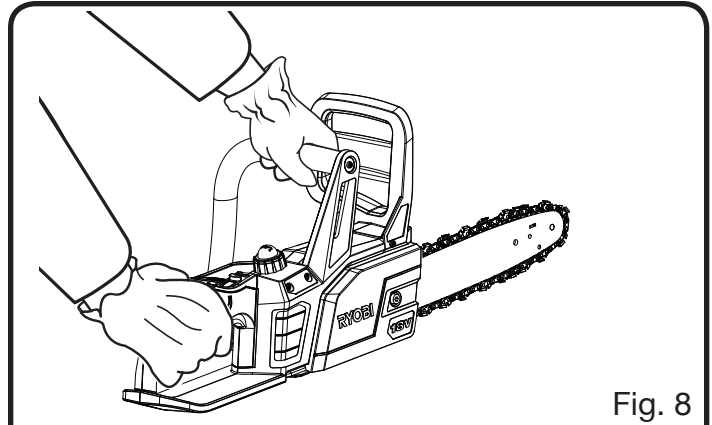


Fig. 8

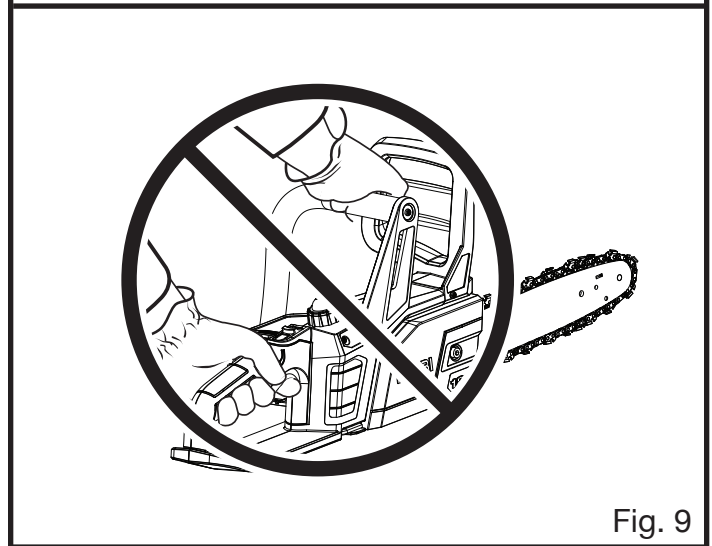


Fig. 9

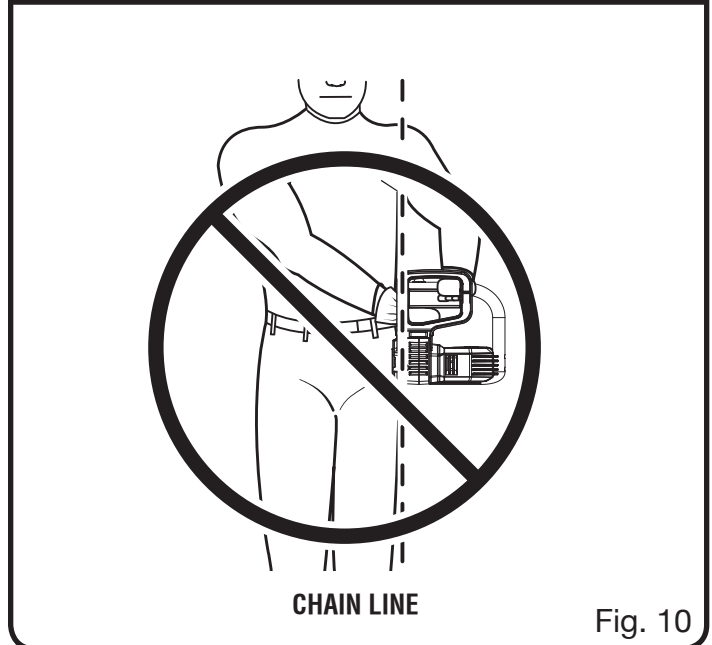


Fig. 10

OPERATION

PROPER CUTTING STANCE

See Figure 11.

⚠ WARNING:

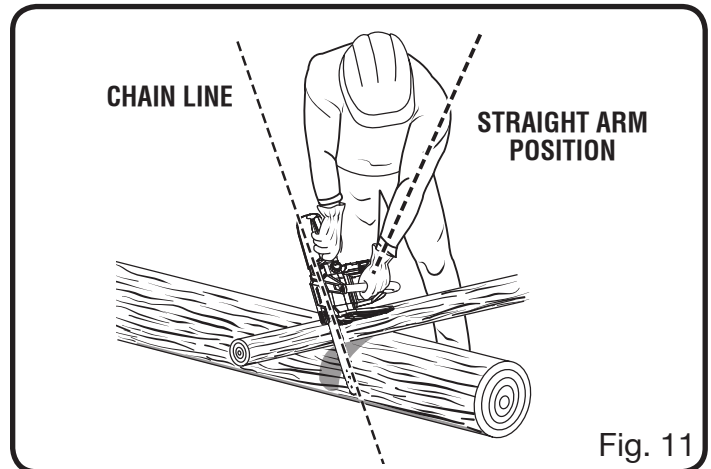
Always use the proper cutting stance described in this section. Never kneel when using the chain saw except when felling a tree as shown in figure 15. Kneeling could result in loss of stability and control of the saw resulting in serious personal injury.

- Weight should be balanced with both feet on solid ground.
- Keep left arm with elbow locked in a “straight arm” position to withstand any kickback force.
- Your body should always be to the left of the chain line.
- Thumb should be on underside of handlebar.

BASIC CUTTING PROCEDURE

Practice cutting a few small logs using the following technique to get the “feel” of using the saw before you begin a major sawing operation.

- Support log on a saw horse or cradle.
- Take the proper stance in front of the wood with the saw off.
- Squeeze the switch trigger and let the chain accelerate to full speed before entering the cut.
- Begin cutting with the saw against the log.
- Keep the unit running the entire time you are cutting, maintain a steady speed.
- Allow the chain to cut for you; exert only light downward pressure. If you force the cut, damage to the bar, chain, or unit can result.
- Release the switch trigger as soon as the cut is completed, allowing the chain to stop. If you run the saw without a cutting load, unnecessary wear can occur to the chain, bar, and unit.
- Do not put pressure on the saw at the end of cut.



WORK AREA PRECAUTIONS

- Cut only wood or materials made from wood, no sheet metal, no plastics, no masonry, no non-wood building materials.
- Never allow children to operate the saw. Allow no person to use this chain saw who has not read this Operator’s Manual or received adequate instructions for the safe and proper use of this chain saw.
- Keep everyone - helpers, bystanders, children, and animals - a safe distance from the cutting area. During felling operations, the safe distance should be a least twice the height of the largest trees in the felling area. During bucking operations, keep a minimum distance of 15 feet between workers.
- Always cut with both feet on solid ground to prevent being pulled off balance.
- Do not cut above chest height, as a saw held higher is difficult to control against kickback forces.
- Do not fell trees near electrical wires or buildings. Leave this operation for professionals.
- Cut only when visibility and light are adequate for you to see clearly.

OPERATION

FELLING TREES

See Figures 12 - 15.

HAZARDOUS CONDITIONS

⚠ WARNING:

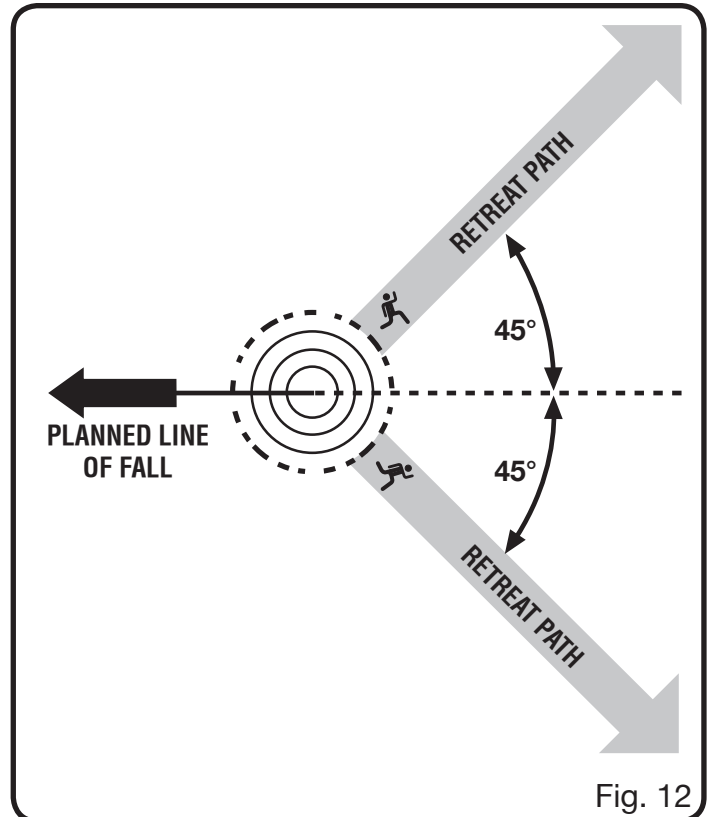
Do not fell trees during periods of high wind or heavy precipitation. Wait until the hazardous weather has ended.

⚠ WARNING:

Closely check for broken or dead branches, which could fall while cutting and do not cut near buildings or electrical wires if you do not know the direction of tree fall. Do not cut at night or during bad weather conditions, such as rain, snow, or strong winds, which can reduce visibility and control of the chain saw. If the tree you are felling makes contact with any utility line, you should discontinue use of the chain saw and immediately notify the utility company. Failure to follow these instructions could result in death or serious personal injury.

When felling a tree, it is important that you follow these warnings and instructions to prevent possible serious injury.

- Do not cut down trees having an extreme lean or large trees with rotten limbs, loose bark, or hollow trunks. Have these trees pushed or dragged down with heavy equipment, then cut them up.
- Do not cut trees near electrical wires or buildings.
- Check the tree for damaged or dead branches that could fall and hit you during felling.
- Periodically glance at the top of the tree during the backcut to assure the tree is going to fall in the desired direction.
- If the tree starts to fall in the wrong direction, or if the saw gets caught or hung up during the fall, leave the saw and save yourself!
- Felling a tree - When bucking and felling operations are being performed by two or more persons, at the same time, the felling operation should be separated from the bucking operation by a distance of at least twice the height of the

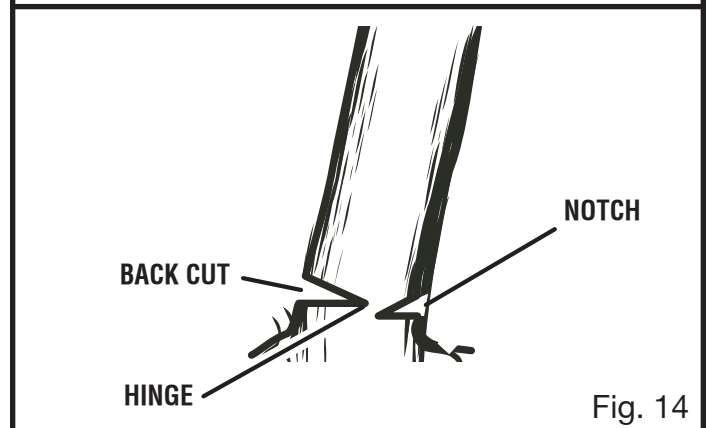
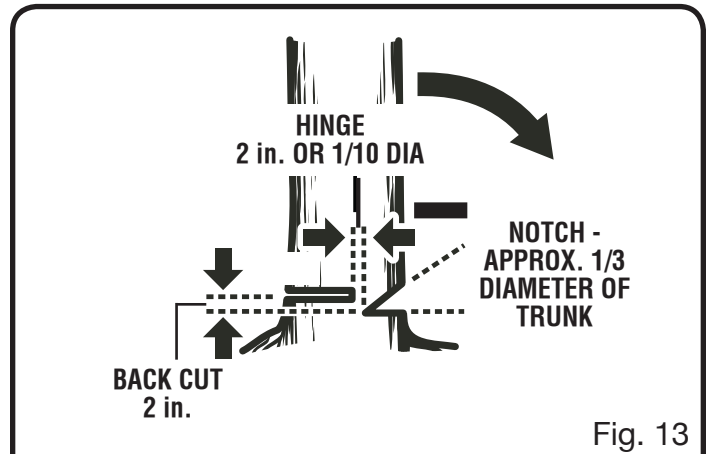


tree being felled. Trees should not be felled in a manner that would endanger any person, strike any utility line or cause any property damage. If the tree does make contact with any utility line, the utility company should be notified immediately.

- Before any cuts are started, pick your escape route (or routes in case the intended route is blocked); clear the immediate area around the tree and make sure there are no obstructions in your planned path of retreat. Clear paths of safe retreat should extend back and diagonally (45°) to the rear of the planned line of fall. When the tree begins to fall, you should retreat away from the direction of fall along a retreat path and at least 20 feet away from the trunk in case it kicks back over the stump. *See Figure 12.*
- Before felling is started, consider the force and direction of the wind, the lean and balance of the tree, and the location of large limbs. These things influence the direction in which the tree will fall. Do not try to fell a tree along a line different from its natural line of fall.
- The chain saw operator should keep on the uphill side of the terrain as the tree is likely to roll or slide downhill after it is felled.

OPERATION

- Remove dirt, stones, loose bark, nails, staples, and wire from the tree where felling cuts are to be made.
- **Notched Undercut.** Cut a notch about 1/3 the diameter of the tree, perpendicular to the direction of fall. Make the cuts of the notch so they intersect at a right angle to the line of fall. This notch should be cleaned out to leave a straight line. To keep the weight of the wood off the saw, always make the lower cut of the notch before the upper cut. See *Figure 13*.
- **Felling Backcut.** The backcut is always made level and horizontal, and at a minimum of 2 in. above the horizontal cut of the notch. See *Figures 13 - 14*.
- Never cut through to the notch. Always leave a band of wood between the notch and backcut (approximately 2 in. or 1/10 the diameter of the tree). This is called “hinge” or “hingewood.” It controls the fall of the tree and prevents slipping or twisting or shoot-back of the tree off the stump. See *Figures 13 - 14*.
- On large diameter trees, stop the back cut before it is deep enough for the tree to either fall or settle back on the stump. Then insert soft wooden or plastic wedges into the cut so they do not touch the chain. The wedges can be driven in, little by little, to help jack the tree over. See *Figure 15*.
- As tree starts to fall, stop the chain saw and put it down immediately. Retreat along the cleared path, but watch the action in case something falls your way. Be alert for overhead limbs or branches that may fall and watch your footing.



⚠ WARNING:

Never cut through to the notch when making a backcut. The hinge controls the fall of the tree, this is the section of wood between the notch and backcut.

OPERATION

REMOVING BUTTRESS ROOTS

See Figure 16.

A buttress root is a large root extending from the trunk of the tree above the ground. Remove large buttress roots prior to felling. Make the horizontal cut into the buttress first, followed by the vertical cut. Remove the resulting loose section from the work area. Follow the correct tree felling procedure as stated in **Felling Trees** after you have removed the large buttress roots.

BUCKING

See Figures 17 - 20.

Bucking is the term used for cutting a fallen tree to the desired log length.

- Always make sure your footing is secure and your weight is distributed evenly on both feet.
- Cut only one log at a time.
- Support small logs on a saw horse or another log while bucking.
- Keep a clear cutting area. Make sure that no objects can contact the guide bar nose and chain during cutting, this can cause kickback. Refer to **Kickback** earlier in this manual.
- When bucking on a slope, always stand on the uphill side of the log. To maintain complete control of the chain saw when cutting through the log, release the cutting pressure near the end of the cut without relaxing your grip on the chain saw handles. Do not let the chain contact the ground. After completing the cut, wait for the saw chain to stop before you move the chain saw. Always stop the motor before moving from tree to tree.

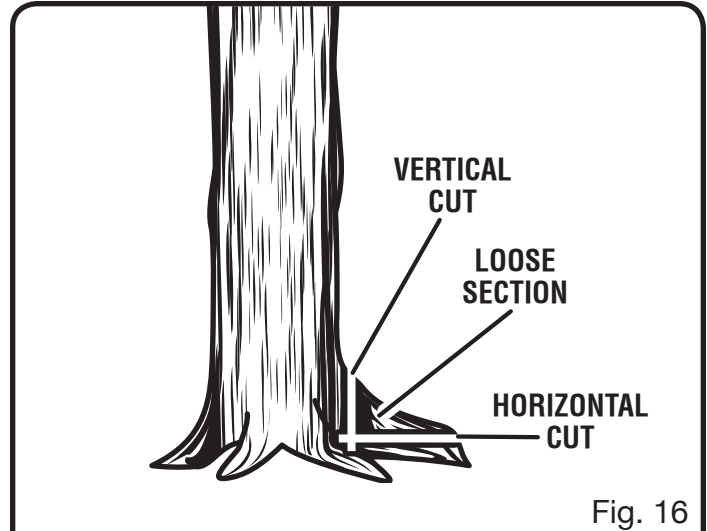


Fig. 16

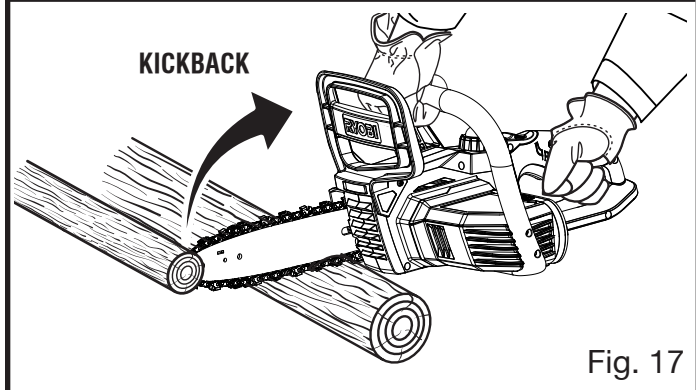


Fig. 17

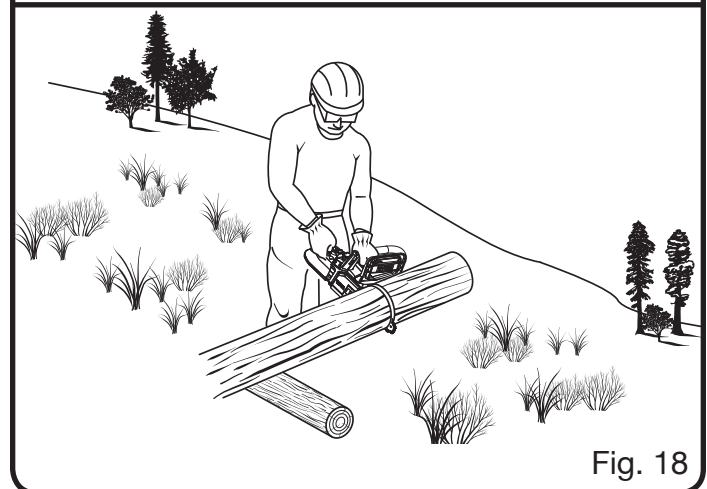


Fig. 18

OPERATION

BUCKING LOGS UNDER STRESS

See Figures 19 - 20.

When the log is supported along its entire length, it should be cut from the top or overbucking.

When the log is supported on one end, cut 1/3 the diameter from the underside or underbucking. Then make the finishing cut by overbucking to meet the first cut.

As the log is being cut, it will tend to bend. The saw can become pinched or hung in the log if you make the first cut deeper than 1/3 of the diameter of the log. Give special attention to logs under stress to prevent the bar and chain from pinching.

When bucking on a slope, always stand on the uphill side of the log as shown in figure 18. When "cutting through," to maintain complete control of the chain saw, release the cutting pressure near the end of the cut without relaxing your grip on the chain saw handles. Do not let the chain contact the ground. After completing the cut, wait for the saw chain to stop before you move the chain saw. Always stop the motor before moving from tree to tree.

TYPES OF CUTTING USED

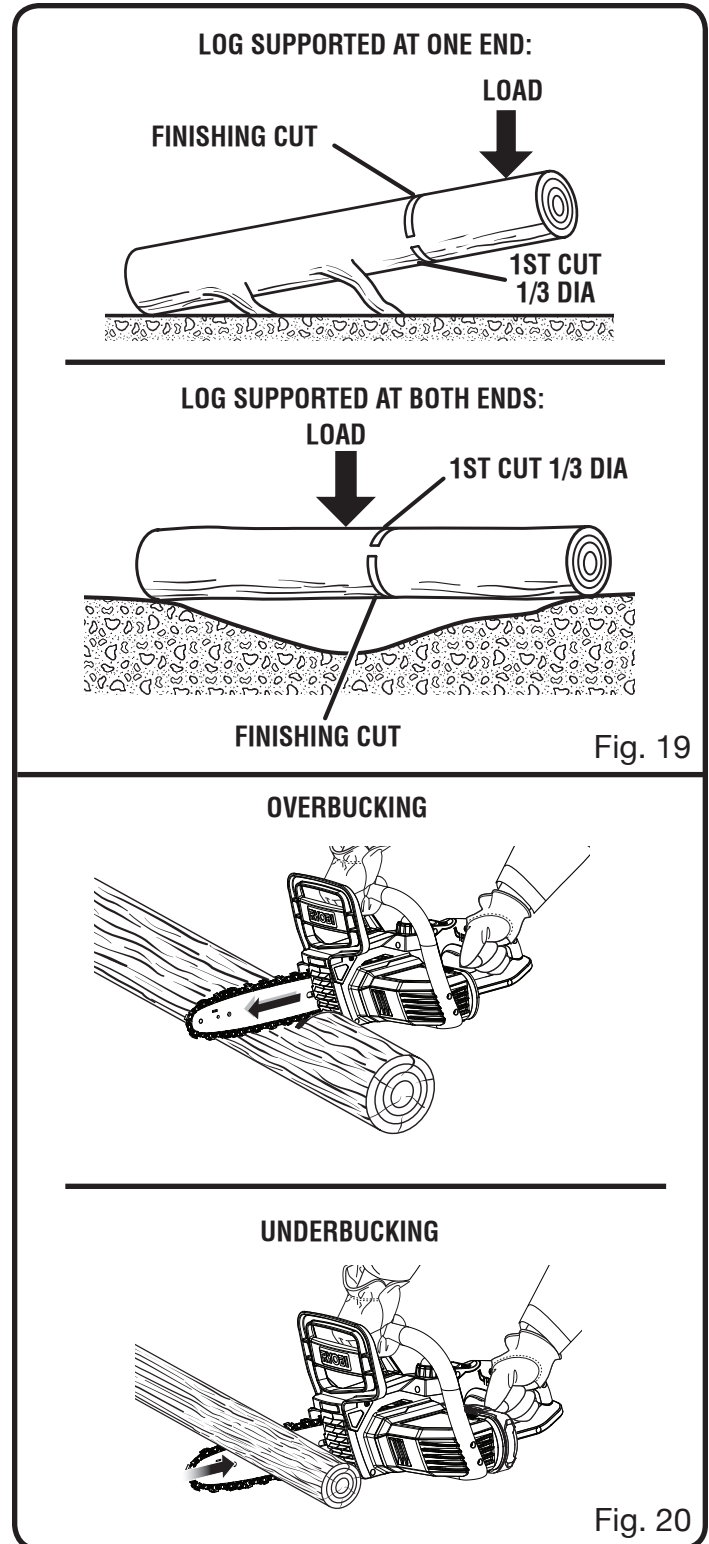
See Figure 20.

OVERBUCKING

Begin on the top side of the log with the bottom of the saw against the log; exert light pressure downward. Note that the saw will tend to pull away from you.

UNDERBUCKING

Begin on the under side of the log with the top of the saw against the log; exert light pressure upward. During underbucking, the saw will tend to push back at you. Be prepared for this reaction and hold the saw firmly to maintain control.



OPERATION

LIMBING AND PRUNING

See Figures 21 - 22.

- Work slowly, keeping both hands on the saw with a firm grip. Maintain secure footing and balance.
- Keep the tree between you and the chain while limbing.
- Do not cut from a ladder. This is extremely dangerous. Leave this operation for professionals.
- Do not cut above chest height. A saw held higher than chest height is difficult to control against kickback.

⚠ WARNING:

Never climb into a tree to limb or prune. Do not stand on ladders, platforms, rooftops, a log, or in any position which can cause you to lose your balance or control of the saw and cause death or serious personal injury.

- When pruning trees it is important not to make the flush cut next to the main limb or trunk until you have cut off the limb further out to reduce the weight. This prevents stripping the bark from the main member.
 - Underbuck the branch 1/3 through for your first cut.
 - Overbuck the branch to drop it.
 - Finish by cutting smoothly and neatly against the main member so the bark will grow back to seal the wound.

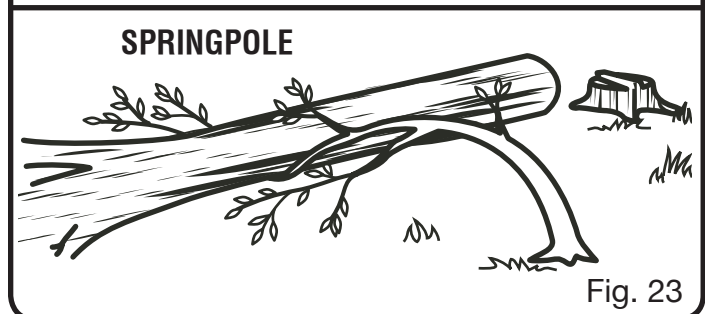
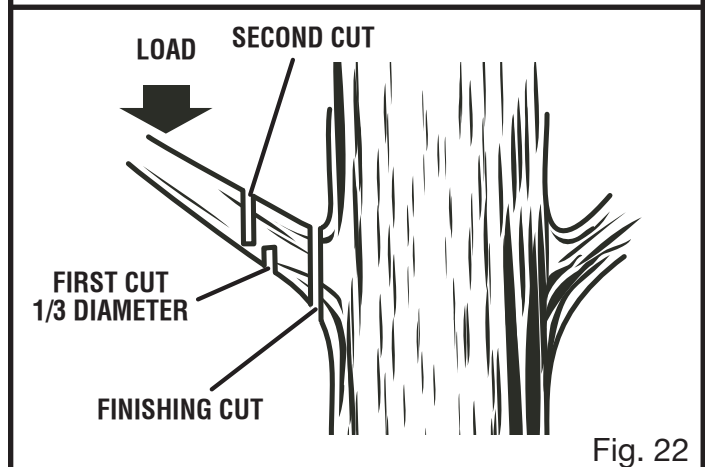
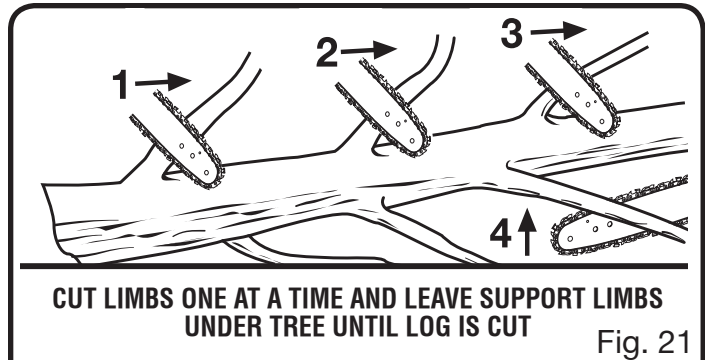
⚠ WARNING:

If the limbs to be pruned are above shoulder height, hire a professional to perform the pruning. Cutting above shoulder height could result in an accident, causing serious personal injury.

SPRINGPOLES

See Figure 23.

A springpole is any log, branch, rooted stump, or sapling which is bent under tension by other wood so that it springs back if the wood holding it is cut or removed. On a fallen tree, a rooted stump has



a high potential of springing back to the upright position during the bucking cut to separate the log from the stump. Watch out for springpoles, they are dangerous.

⚠ WARNING:

Springpoles are dangerous and could strike the operator, causing the operator to lose control of the chain saw. This could result in severe or fatal injury to the operator.

MAINTENANCE

WARNING:

To avoid serious personal injury, always remove the battery pack from the product when cleaning or performing any maintenance.

WARNING:

Always wear eye protection with side shields marked to comply with ANSI Z87.1, along with hearing and head protection. Failure to do so could result in objects being thrown into your eyes resulting in possible serious injury.

WARNING:

When servicing, use only identical replacement parts. Use of any other parts could create a hazard or cause product damage.

NOTICE:

Periodically inspect the entire product for damaged, missing, or loose parts such as screws, nuts, bolts, caps, etc. Tighten securely all fasteners and caps and do not operate this product until all missing or damaged parts are replaced. Please contact customer service or an authorized service center for assistance.

GENERAL MAINTENANCE

Avoid using solvents when cleaning plastic parts. Most plastics are susceptible to damage from various types of commercial solvents and may be damaged by their use. Use clean cloths to remove dirt, dust, oil, grease, etc.

WARNING:

Do not at any time let brake fluids, gasoline, petroleum-based products, penetrating oils, etc., come in contact with plastic parts. Chemicals can damage, weaken or destroy plastic which could result in serious personal injury.

RECOMMENDED REPLACEMENT BAR AND CHAIN COMBINATIONS

Bar Part Number	Chain Part Number
311278001	693814001

REPLACING BAR AND CHAIN

See Figures 24 - 28.

WARNING:

Remove the battery pack from the chain saw and make sure the chain has stopped before you do any work on the saw. Failure to do so may result in accidental starting and possible serious injury.

WARNING:

To avoid serious personal injury, read and understand all the safety instructions in this section.

WARNING:

Never touch or adjust the chain while the motor is running. The saw chain is very sharp; always wear protective gloves when performing maintenance to the chain to avoid possible serious lacerations.

MAINTENANCE

⚠ CAUTION:

Always wear gloves when handling the bar and chain; these components are sharp and may contain burrs.

- Remove the battery pack before you do any work on the chain saw.
- Remove the hex key from the storage area and use it to remove the chain cover screw, washer and chain cover from the chain saw.
- Remove the bar and chain from mounting surface.
- Remove the old chain from the bar.
- Lay out the new saw chain in a loop and straighten any kinks. The cutters should face in the direction of chain rotation. If they face the opposite direction, turn the loop over.
- Place the chain drive links into the bar groove. Position the chain so there is a loop at the back of the bar. Hold the chain in position on the bar and place the loop around the sprocket of the chain saw. Fit the bar flush against the mounting surface so that the bar stud is in the long slot of the bar.

⚠ WARNING:

When placing the bar on the bar studs, ensure the chain tensioning pin is in the chain tension pin hole. Failure to properly place the chain tensioning pin in the chain tension pin hole could cause the chain to come loose, resulting in serious personal injury.

- Replace the chain cover, washer and chain cover screw. Tighten the chain cover screw finger tight only. The bar must be free to move for tension adjustment.
- Remove all the slack from the chain by turning the chain tensioning screw clockwise until the chain seats snugly against the bar with the drive links in the bar groove.
- Lift the tip of the guide bar up to check for sag. Release the tip of the guide bar and turn the chain tensioning screw 1/2 turn clockwise. Repeat this process until sag does not exist.
- Hold the tip of the guide bar up and tighten the bar mounting screw securely.

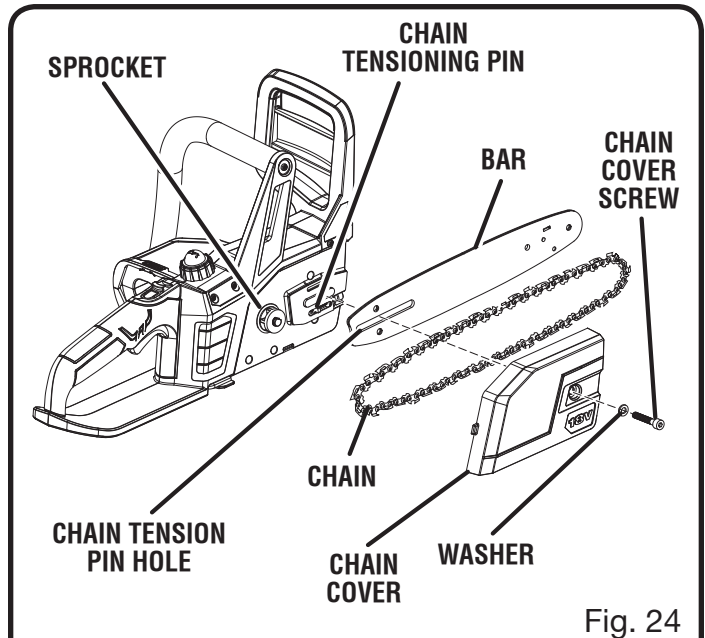


Fig. 24

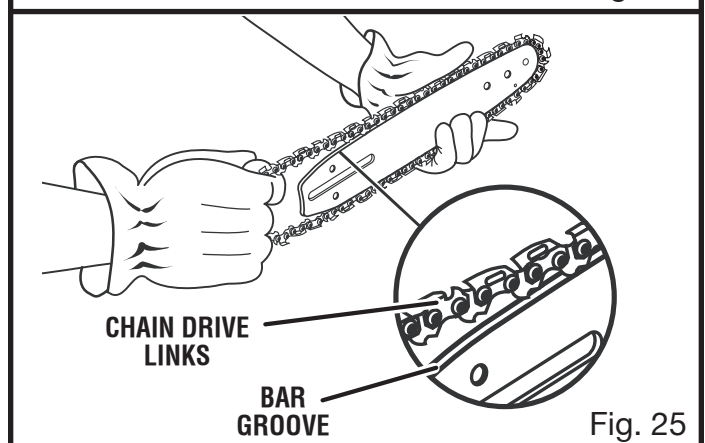


Fig. 25

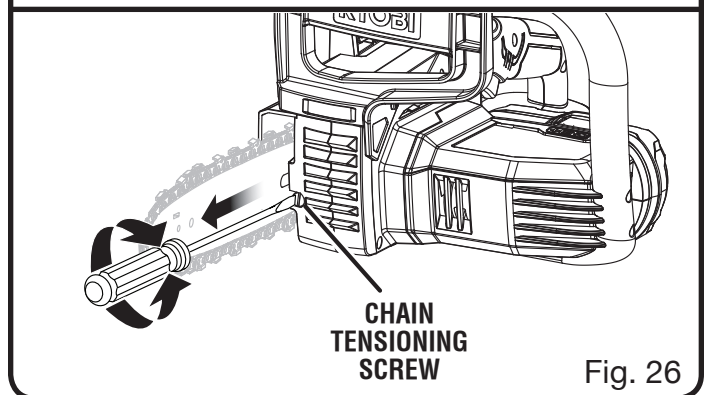


Fig. 26

MAINTENANCE

- Chain is correctly tensioned when there is no sag on the underside of the guide bar, the chain is snug, but it can be turned by hand without binding.

NOTE: If chain is too tight, it will not rotate. Loosen the chain cover screw slightly and turn tension adjuster 1/4 turn counterclockwise. Lift the tip of the guide bar up and retighten chain cover screw securely. Assure that the chain will rotate without binding.

- Place the hex key back into the storage area.

ADJUSTING THE CHAIN TENSION

See Figures 29 - 30.

⚠ WARNING:

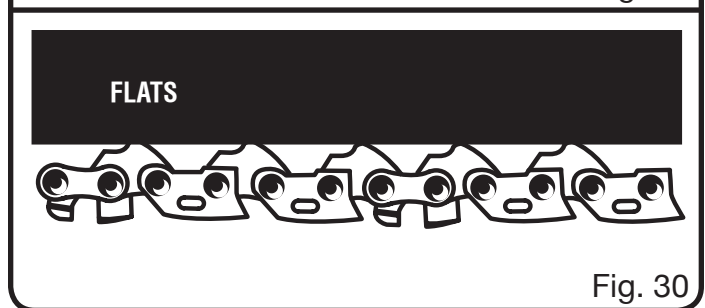
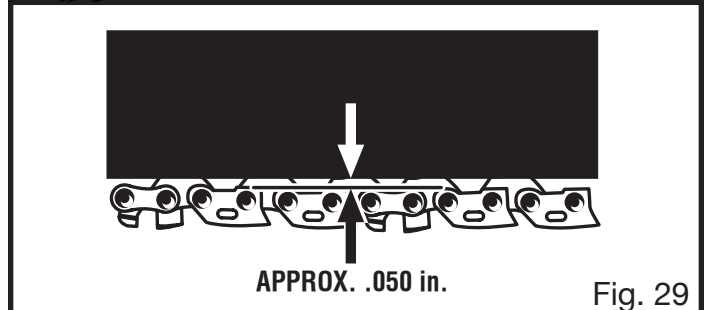
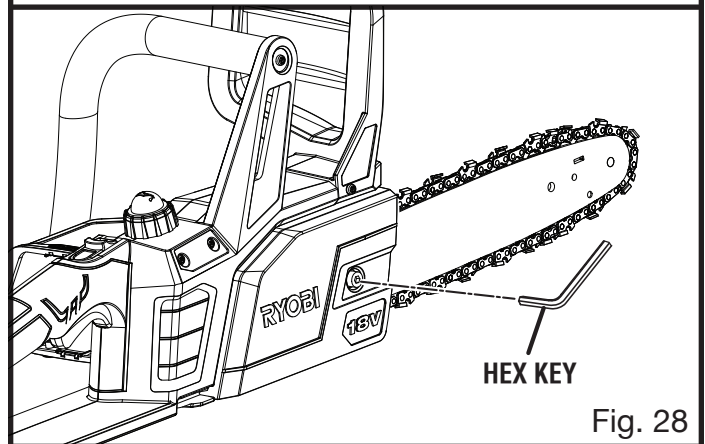
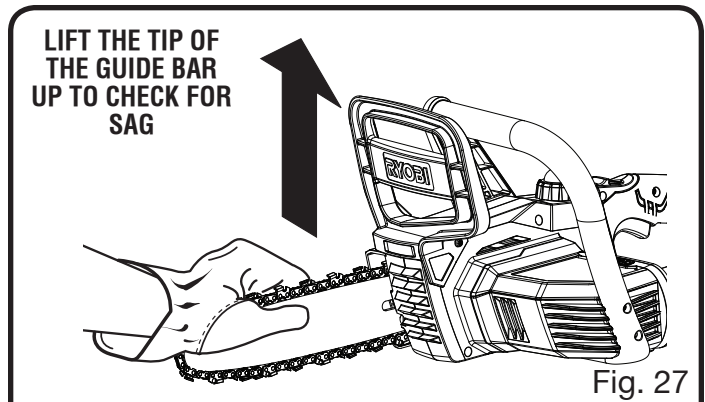
Never touch or adjust the chain while the motor is running. The saw chain is very sharp. Always wear protective gloves when performing maintenance on the chain.

- Stop the engine before setting the chain tension. Make sure the guide bar screw is loosened to finger tight, turn the chain tensioner clockwise to tension the chain. Refer to **Replacing Bar and Chain** earlier in this manual for additional information.
- A cold chain is correctly tensioned when there is no slack on the underside of the guide bar, the chain is snug, but it can be turned by hand without binding.
- Chain must be re-tensioned whenever the flats on the drive links hang out of the bar groove.
- During normal saw operation, the temperature of the chain will increase. The drive links of a correctly tensioned warm chain will hang approximately .050 in. out of the bar groove.

NOTE: New chain tends to stretch, check chain tension frequently and tension as required.

NOTICE:

Chain tensioned while warm, may be too tight upon cooling. Check the “cold tension” before next use.



MAINTENANCE

CHAIN MAINTENANCE

See Figures 31 - 32.

⚠ WARNING:

Remove the battery pack and make sure the chain has stopped before you do any work on the saw.

Use only low-kickback chain on this saw. This fast-cutting chain will provide kickback reduction when properly maintained.

For smooth and fast cutting, chain needs to be maintained properly. The chain requires sharpening when the wood chips are small and powdery, the chain must be forced through the wood during cutting, or the chain cuts to one side. During maintenance of your chain, consider the following:

- Improper filing angle of the side plate can increase the risk of a severe kickback.
- Raker (depth gauge) clearance.
- Too low increases the potential for kickback.
- Not low enough decreases cutting ability.
- If cutter teeth have hit hard objects such as nails and stones, or have been abraded by mud or sand on the wood, have service dealer sharpen chain.

NOTE: Inspect the drive sprocket for wear or damage when replacing the chain. If signs of wear or damage are present in the areas indicated, have the drive sprocket replaced by a Ryobi Service dealer.

HOW TO SHARPEN THE CUTTERS

See Figures 33 - 34.

Be careful to file all cutters to the specified angles and to the same length, as fast cutting can be obtained only when all cutters are uniform.

- Wear gloves for protection. Properly tension the chain prior to sharpening. Refer to **Chain Tension Section** earlier in this manual. Do all of your filing at the mid-point of the bar.
- Use a 5/32 in. diameter round file and holder.
- Keep the file level with the top plate of the tooth. Do not let the file dip or rock.
- Using light but firm pressure, stroke towards the front corner of the tooth.
- Lift file away from the steel on each return stroke.
- Put a few firm strokes on every tooth. File all left hand cutters in one direction. Then move to the other side and file the right hand cutters in the opposite direction. Occasionally remove filings from the file with a wire brush.

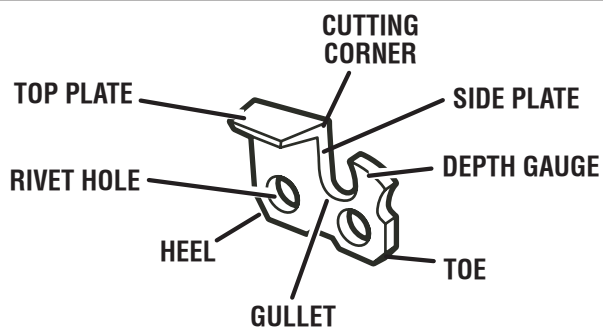


Fig. 31

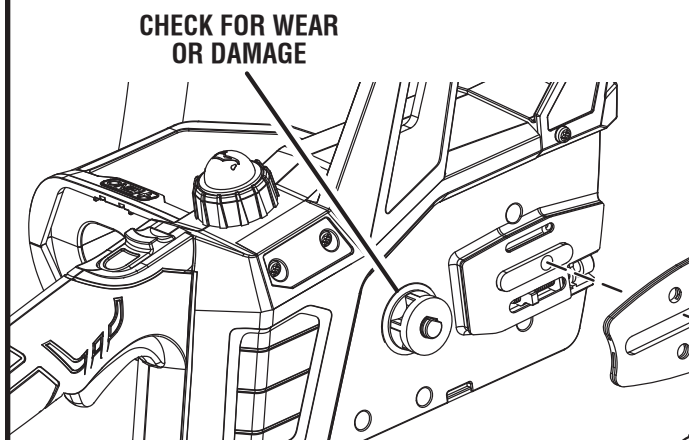


Fig. 32

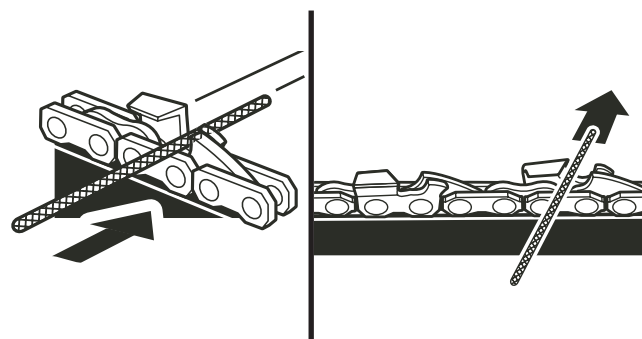


Fig. 33

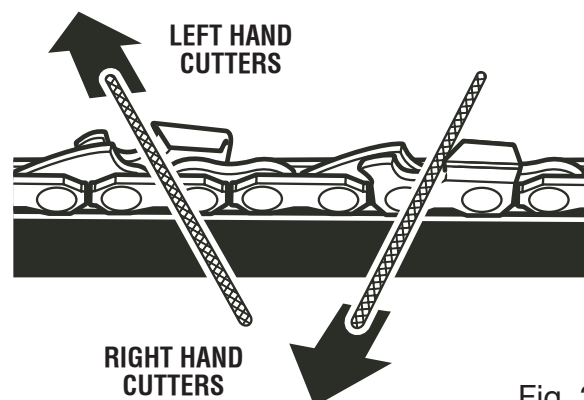


Fig. 34

MAINTENANCE

⚠ WARNING:

Improper chain sharpening increases the potential of kickback.

⚠ WARNING:

Failure to replace or repair damaged chain can cause serious injury.

⚠ WARNING:

The saw chain is very sharp, always wear protective gloves when performing maintenance to the chain to prevent serious personal injury.

TOP PLATE FILING ANGLE

See Figure 35.

- **CORRECT 30°** - File holders are marked with guide marks to align file properly to produce correct top plate angle.
- **LESS THAN 30°** - For Cross Cutting.
- **MORE THAN 30°** - Feathered Edge Dulls Quickly.

SIDE PLATE ANGLE

See Figure 36.

- **CORRECT - 80°** Produced automatically if correct diameter file is used in file holder.
- **HOOK** - "Grabs" and dulls quickly. Increases potential of **KICKBACK**.
Results from using a file with diameter too small, or file held too low.
- **BACKWARD SLOPE** - Needs too much feed pressure, causes excessive wear to bar and chain.
Results from using a file with diameter too large, or file held too high.

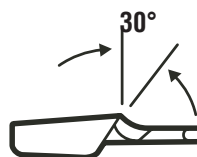
DEPTH GAUGE CLEARANCE

See Figure 37 - 39.

- The depth gauge should be maintained at a clearance of .025 in. Use a depth gauge tool for checking the depth gauge clearances.
- Every time the chain is filed, check the depth gauge clearance.

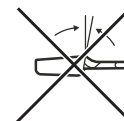
Use a flat file and a depth gauge jointer to lower all gauges uniformly. Depth gauge jointers are

CORRECT TOP PLATE FILING ANGLE



INCORRECT TOP PLATE FILING ANGLE

LESS THAN 30°

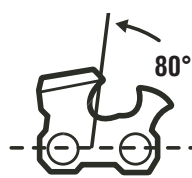


MORE THAN 30°



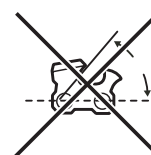
Fig. 35

CORRECT SIDE PLATE FILING ANGLE



INCORRECT SIDE PLATE FILING ANGLE

HOOK



BACKWARD SLOPE

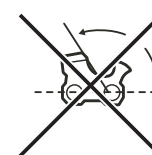


Fig. 36

RAKER CLEARANCE
.025 in.

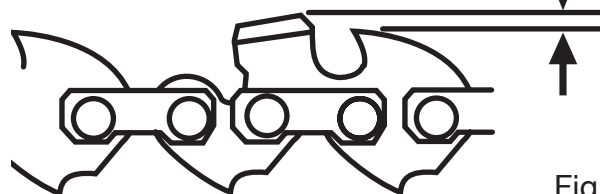
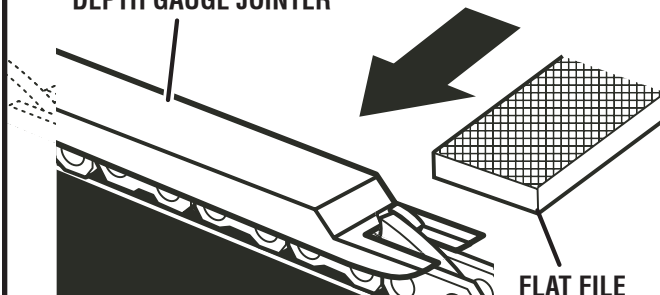


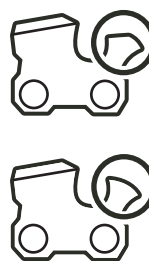
Fig. 37

DEPTH GAUGE JOINTER



FLAT FILE

Fig. 38



RESTORE ORIGINAL SHAPE BY ROUNDING THE FRONT

Fig. 39

MAINTENANCE

available in .020 in. to .035 in. Use a .025 in. depth gauge jointer. After lowering each depth gauge, restore original shape by rounding the front. Be careful not to damage adjoining drive links with the edge of the file.

Depth gauges must be adjusted with the flat file in the same direction the adjoining cutter was filed with the round file. Use care not to contact cutter face with flat file when adjusting depth gauges.

MAINTAINING THE GUIDE BAR

See Figure 40.

CAUTION:

Make sure the chain has stopped and the battery pack has been removed before you do any work on the saw.

Proper maintenance will maximize the useful life of the guide bar.

Each day of use:

Clean the bar and check for wear and damage. Feathering or burring of the bar rails is a normal process of bar wear, but such faults should be smoothed with a file as soon as they occur.

Each week of use:

- Reverse the guide bar on the saw to distribute the wear.
- Lubricate the socket at the end of the guide bar using a grease syringe in the lubricating hole.
- Turn the guide bar and check that the lubrication holes and chain groove are free from impurities.

A bar with any of the following faults should be replaced immediately:

- Wear inside the bar rails that permits the chain to lay over sideways
- Bent guide bar
- Cracked or broken rails
- Spread rails

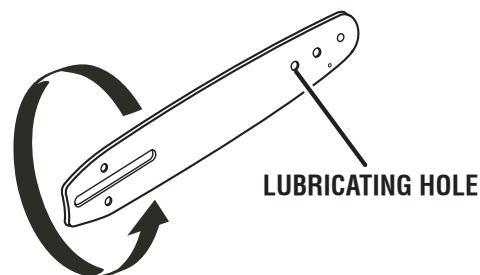


Fig. 40

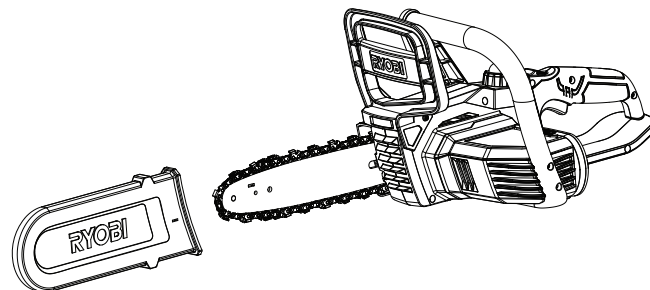


Fig. 41

TRANSPORTING AND STORING

See Figure 41.

- Do not store or transport the chain saw when it is running. The chain saw should always be idle before storing or transporting.
- Always place the guide bar scabbard on the bar and chain before storing or transporting the chain saw. Use caution to avoid the sharp teeth of the chain.
- Clean the chain saw thoroughly before storing. Store the chain saw indoors, in a dry place that is locked and/or inaccessible to children.
- Keep away from corrosive agents such as garden chemicals and de-icing salts.

TROUBLESHOOTING

PROBLEM	CAUSE	SOLUTION
Bar and chain running hot and smoking.	<ol style="list-style-type: none">1. Check chain tension for over tight condition2. Chain oil tank empty.	<ol style="list-style-type: none">1. Tension chain. Refer to Chain Tension earlier in this manual.2. Check oil tank.
Motor runs, but chain is not rotating.	<ol style="list-style-type: none">1. Chain tension too tight.2. Check guide bar and chain assembly.3. Check guide bar and chain for damage.	<ol style="list-style-type: none">1. Retension chain, Refer to Chain Tension earlier in this manual.2. Refer to Assembling the Bar and Chain earlier in this manual.3. Inspect guide bar and chain for damage.



CALL US FIRST

For any questions about operating or maintaining your product, call the Ryobi® Help Line!

Your product has been fully tested prior to shipment to ensure your complete satisfaction.

WARRANTY

LIMITED WARRANTY STATEMENT

Techtronic Industries North America, Inc., warrants to the original retail purchaser that this RYOBI® brand outdoor product is free from defect in material and workmanship and agrees to repair or replace, at Techtronic Industries North America, Inc.'s, discretion, any defective product free of charge within these time periods from the date of purchase.

- Three years if the product is used for personal, family or household use;
- 90 days, if used for any other purpose, such as commercial or rental.

This warranty extends to the original retail purchaser only and commences on the date of the original retail purchase.

Any part of this product found in the reasonable judgment of Techtronic Industries North America, Inc. to be defective in material or workmanship will be repaired or replaced without charge for parts and labor by an authorized service center for RYOBI® brand outdoor products (Authorized Ryobi Service Center).

The product, including any defective part, must be returned to an authorized Ryobi service center within the warranty period. The expense of delivering the product to the service center for warranty work and the expense of returning it back to the owner after repair or replacement will be paid by the owner. Techtronic Industries North America, Inc.'s, responsibility in respect to claims is limited to making the required repairs or replacements and no claim of breach of warranty shall be cause for cancellation or rescission of the contract of sale of any RYOBI® brand outdoor product. Proof of purchase will be required by the dealer to substantiate any warranty claim. All warranty work must be performed by an authorized service dealer.

This warranty is limited to ninety (90) days from the date of original retail purchase for any RYOBI® brand outdoor product that is used for rental or commercial purposes, or any other income-producing purpose.

This warranty does not cover any product that has been subject to misuse, neglect, negligence, or accident, or that has been operated in any way contrary to the operating instructions as specified in this operator's manual. This warranty does not apply to any damage to the product that is the result of improper maintenance or to any product that has been altered or modified. The warranty does not extend to repairs made necessary by normal wear or by the use of parts or accessories which are either incompatible with the RYOBI® brand outdoor product or adversely affect its operation, performance, or durability. In addition, this warranty does not cover:

- A. Tune-ups – Spark Plugs, Carburetor, Carburetor Adjustments, Ignition, Filters
- B. Wear items – Bump Knobs, Outer Spools, Cutting Lines, Inner Reels, Starter Pulleys, Starter Ropes, Drive Belts, Tines, Felt Washers, Hitch Pins, Mulching Blades, Blower Fans, Blower and Vacuum Tubes, Vacuum Bag and Straps, Guide Bars, Saw Chains

Techtronic Industries North America, Inc., reserves the right to change or improve the design of any RYOBI® brand outdoor product without assuming any obligation to modify any product previously manufactured.

ALL IMPLIED WARRANTIES ARE LIMITED IN DURATION TO THE STATED WARRANTY PERIOD. ACCORDINGLY, ANY SUCH IMPLIED WARRANTIES INCLUDING MERCHANTABILITY, FITNESS FOR A PARTICULAR PURPOSE, OR OTHERWISE, ARE DISCLAIMED IN THEIR ENTIRETY AFTER THE EXPIRATION OF THE APPROPRIATE THREE-YEAR OR NINETY-DAY WARRANTY PERIOD. TECHTRONIC INDUSTRIES NORTH AMERICA, INC.'S, OBLIGATION UNDER THIS WARRANTY IS STRICTLY AND EXCLUSIVELY LIMITED TO THE REPAIR OR REPLACEMENT OF DEFECTIVE PARTS AND TECHTRONIC INDUSTRIES NORTH AMERICA, INC., DOES NOT ASSUME OR AUTHORIZE ANYONE TO ASSUME FOR THEM ANY OTHER OBLIGATION. SOME STATES DO NOT ALLOW LIMITATIONS ON HOW LONG AN IMPLIED WARRANTY LASTS, SO THE ABOVE LIMITATION MAY NOT APPLY TO YOU. TECHTRONIC INDUSTRIES NORTH AMERICA, INC., ASSUMES NO RESPONSIBILITY FOR INCIDENTAL, CONSEQUENTIAL, OR OTHER DAMAGES INCLUDING, BUT NOT LIMITED TO, EXPENSE OF RETURNING THE PRODUCT TO AN AUTHORIZED RYOBI SERVICE CENTER AND EXPENSE OF DELIVERING IT BACK TO THE OWNER, MECHANIC'S TRAVEL TIME, TELEPHONE OR TELEGRAM CHARGES, RENTAL OF A LIKE PRODUCT DURING THE TIME WARRANTY SERVICE IS BEING PERFORMED, TRAVEL, LOSS OR DAMAGE TO PERSONAL PROPERTY, LOSS OF REVENUE, LOSS OF USE OF THE PRODUCT, LOSS OF TIME, OR INCONVENIENCE. SOME STATES DO NOT ALLOW THE EXCLUSION OR LIMITATION OF INCIDENTAL OR CONSEQUENTIAL DAMAGES, SO THE ABOVE LIMITATION OR EXCLUSION MAY NOT APPLY TO YOU.

This warranty gives you specific legal rights, and you may also have other rights which vary from state to state.

This warranty applies to all RYOBI® brand outdoor products manufactured by or for Techtronic Industries North America, Inc., and sold in the United States and Canada.

To locate your nearest Authorized Ryobi Service Center, dial 1-800-860-4050.

AVERTISSEMENTS RÈGLES DE SÉCURITÉ RELATIVES AUX OUTILS ÉLECTRIQUES

AVERTISSEMENT

Lire tous les avertissements et toutes les instructions. Ne pas suivre l'ensemble des avertissements et des instructions peut entraîner une électrocution, un incendie ou des blessures graves.

Conserver les avertissements et les instructions à des fins de référence ultérieure. Le terme « outil motorisé », utilisé dans tous les avertissements ci-dessous désigne tout outil fonctionnant sur secteur (câblé) ou sur piles (sans fil).

SÉCURITÉ DU LIEU DE TRAVAIL

- **Garder le lieu de travail propre et bien éclairé.** Les endroits encombrés ou sombres sont propices aux accidents.
- **Ne pas utiliser d'outils électriques dans des atmosphères explosives, par exemple en présence de liquides, gaz ou poussières inflammables.** Les outils électriques produisent des étincelles risquant d'enflammer les poussières ou vapeurs.
- **Garder les enfants et badauds à l'écart pendant l'utilisation d'un outil électrique.** Les distractions peuvent causer une perte de contrôle.

SÉCURITÉ ÉLECTRIQUE

- **Les fiches des outils électriques doivent correspondre à la prise secteur utilisée. Ne jamais modifier la fiche, de quelque façon que ce soit. Ne jamais utiliser d'adaptateurs de fiche avec des outils mis à la terre.** Les fiches et prises non modifiées réduisent le risque de choc électrique.
- **Éviter tout contact du corps avec des surfaces mises à la terre, telles que tuyaux, radiateurs, cuisinières et réfrigérateurs.** Le risque de choc électrique est accru lorsque le corps est mis à la terre.
- **Ne pas exposer les outils électriques à l'eau ou l'humidité.** La pénétration d'eau dans ces outils accroît le risque de choc électrique.

- **Ne pas maltraiter le cordon d'alimentation. Ne jamais utiliser le cordon d'alimentation pour transporter l'outil et ne jamais débrancher ce dernier en tirant sur le cordon. Garder le cordon à l'écart de la chaleur, de l'huile, des objets tranchants et des pièces en mouvement.** Un cordon endommagé ou emmêlé accroît le risque de choc électrique.
- **Pour les travaux à l'extérieur, utiliser un cordon spécialement conçu à cet effet.** Utiliser un cordon conçu pour l'usage extérieur pour réduire les risques de choc électrique.
- **S'il est nécessaire d'utiliser l'outil électrique dans un endroit humide, employer un dispositif interrupteur de défaut à la terre (GFCI).** L'utilisation d'un GFCI réduit le risque de décharge électrique.

SÉCURITÉ PERSONNELLE

- **Rester attentif, prêter attention au travail et faire preuve de bon sens lors de l'utilisation de tout outil électrique. Ne pas utiliser cet outil en état de fatigue ou sous l'influence de l'alcool, de drogues ou de médicaments.** Un moment d'inattention pendant l'utilisation d'un outil électrique peut entraîner des blessures graves.
- **Utiliser l'équipement de sécurité. Toujours porter une protection oculaire.** L'équipement de sécurité, tel qu'un masque filtrant, de chaussures de sécurité, d'un casque ou d'une protection auditive, utilisé dans des conditions appropriées réduira le risque de blessures.
- **Éviter les démarrages accidentels. S'assurer que le commutateur est en position d'arrêt avant de brancher l'outil.** Porter un outil avec le doigt sur son commutateur ou brancher un outil dont le commutateur est en position de marche peut causer un accident.
- **Retirer les clés de réglage avant de mettre l'outil en marche.** Une clé laissée sur une pièce rotative de l'outil peut causer des blessures.
- **Ne pas travailler hors de portée. Toujours se tenir bien campé et en équilibre.** Ceci permettra de mieux contrôler l'outil en cas de situation imprévue.

AVERTISSEMENTS RÈGLES DE SÉCURITÉ RELATIVES AUX OUTILS ÉLECTRIQUES

- **Porter une tenue appropriée. Ne porter ni vêtements amples, ni bijoux. Garder les cheveux, les vêtements et les gants à l'écart des pièces en mouvement.** Les vêtements amples, bijoux et cheveux longs peuvent se prendre dans les pièces en mouvement.
- **Si les outils sont équipés de dispositifs de dépoussiérage, s'assurer qu'ils sont connectés et correctement utilisés.** L'usage de ces dispositifs de dépoussiérage peut réduire les dangers présentés par la poussière.

UTILISATION ET ENTRETIEN DES OUTILS ÉLECTRIQUES

- **Ne pas forcer l'outil. Utiliser l'outil approprié pour l'application.** Un outil approprié exécutera le travail mieux et de façon moins dangereuse s'il est utilisé dans les limites prévues.
- **Ne pas utiliser l'outil si le commutateur ne permet pas de le mettre en marche ou de l'arrêter.** Tout outil qui ne peut pas être contrôlé par son commutateur est dangereux et doit être réparé.
- **Débrancher l'outil et/ou retirer le bloc-piles avant d'effectuer des réglages, de changer d'accessoire ou de remiser l'outil.** Ces mesures de sécurité préventives réduisent les risques de démarrage accidentel de l'outil.
- **Ranger les outils motorisés hors de la portée des enfants et ne laisser personne n'étant pas familiarisé avec l'outil ou ces instructions utiliser l'outil.** Dans les mains de personnes n'ayant pas reçu des instructions adéquates, les outils sont dangereux.
- **Entretenir les outils motorisés. Vérifier qu'aucune pièce mobile n'est mal alignée ou bloquée, qu'aucune pièce n'est brisée et s'assurer qu'aucun autre problème ne risque d'affecter le bon fonctionnement de l'outil. En cas de dommages faire réparer l'outil avant de l'utiliser de nouveau.** Beaucoup d'accidents sont causés par des outils mal entretenus.
- **Garder les outils bien affûtés et propres.** Des outils correctement entretenus et dont les tranchants sont bien affûtés risquent moins de se bloquer et sont plus faciles à contrôler.

- **Utiliser l'outil, les accessoires et embouts, etc. conformément à ces instructions pour les applications pour lesquelles ils sont conçus, en tenant compte des conditions et du type de travail à exécuter.** L'usage d'un outil motorisé pour des applications pour lesquelles il n'est pas conçu peut être dangereux.

UTILISATION ET ENTRETIEN DE LA PILE

- **Ne recharger qu'avec l'appareil spécifié par le fabricant.** Un chargeur approprié pour un type de pile peut créer un risque d'incendie s'il est utilisé avec un autre type de pile.
- **Utiliser exclusivement le bloc-pile spécifiquement indiqué pour l'outil.** L'usage de tout autre bloc peut créer un risque de blessures et d'incendie.
- **Lorsque le bloc-piles n'est pas en usage, le garder à l'écart d'articles tels qu'attaches trombones, pièces de monnaie, clous, vis ou autres petits objets métalliques risquant d'établir le contact entre les deux bornes.** La mise en court-circuit des bornes de piles peut causer des étincelles, des brûlures ou un incendie.
- **En cas d'usage abusif, du liquide peut s'échapper des piles. Éviter tout contact avec ce liquide. En cas de contact accidentel, rincer immédiatement les parties atteintes avec de l'eau. En cas d'éclaboussure dans les yeux consulter un médecin.** Le liquide s'échappant des piles peut causer des irritations ou des brûlures.

DÉPANNAGE

- **Les réparations doivent être confiées à un technicien qualifié, utilisant exclusivement des pièces identiques à celles d'origine.** Ceci assurera le maintien de la sécurité de l'outil.
- **Utiliser exclusivement des pièces identiques à celles d'origine pour les réparations. Se conformer aux instructions de la section Entretien de ce manuel.** L'usage de pièces non autorisées ou le non-respect des instructions peut présenter des risques de choc électrique ou de blessures.

AVERTISSEMENTS DE SÉCURITÉ RELATIFS AU SCIE À CHÂÎNE

- **Éloigner toutes les parties du corps de la scie à chaîne pendant que cette dernière fonctionne. Avant de démarrer la scie à chaîne, s'assurer que la scie à chaîne n'est pas en contact avec aucun objet.** Un moment d'inattention pendant l'utilisation de la scie à chaîne peut causer l'enchevêtrement des vêtements ou toucher le corps.
- **Toujours tenir la scie à chaîne en plaçant la main droite sur la poignée arrière et la main gauche sur la poignée avant.** Tenir la scie à chaîne en inversant cette configuration des mains augmente le risque de blessures et ne devrait jamais être faite.
- **Tenir l'outil électrique seulement par les surfaces de prises isolées, car la scie à chaîne peut toucher des câbles sous tension.** Le contact d'une scie à chaîne avec un fil sous tension peut exposer les pièces métalliques de l'outil électrique et électrocuter l'utilisateur.
- **Porter des lunettes de sécurité et d'un serre-tête antibruit. De plus, un équipement de protection pour la tête, les mains, les jambes et les pieds est recommandé.** Des vêtements de protection adéquats réduiront le risque de blessures causées par les objets projetés ou le contact accidentel avec la scie à chaîne.
- **Ne jamais utiliser une scie à chaîne en se tenant perché dans un arbre.** L'utilisation d'une scie à chaîne en se tenant perché dans un arbre peut causer des blessures.
- **Toujours garder les pieds bien appuyés et faire fonctionner la scie à chaîne seulement lorsque les pieds sont sur une surface fixe, sécuritaire et à niveau.** Les surfaces glissantes ou instables, comme les échelles, représentent un risque de déséquilibre et de perte de contrôle de la scie à chaîne.
- **Pendant la coupe d'une branche tendue, prendre garde au rebond.** Lorsque la tension des fibres du bois est relâchée, la branche tendue peut frapper l'utilisateur et/ou provoquer la perte de contrôle de la scie à chaîne.
- **Être très prudent lors de la coupe de buissons ou de jeunes arbres.** Les branches fines peuvent se coincer dans la scie à chaînes et fouetter en direction de l'utilisateur et lui faire perdre l'équilibre.
- **Transporter la scie à chaîne par la poignée avant, avec l'interrupteur positionné à éteint et éloigné du corps. Toujours installer le couvercle du guide-chaîne pour transporter ou ranger la scie à chaîne.** Une manipulation adéquate de la scie à chaîne réduira le contact accidentel habituel occasionné par le mouvement de la scie à chaîne.
- **Suivre les instructions de lubrification, de tension de chaîne et de changement d'accessoires.** Une tension ou une lubrification inadéquate de la chaîne peut provoquer son bris ou augmenter le risque de rebond.
- **Garder les poignées sèches, propres et exemptes d'huile ou de graisse.** Les poignées graisseuses ou huileuses sont glissantes et peuvent provoquer une perte de contrôle.
- **Couper seulement du bois. Ne pas utiliser la scie à chaîne pour des applications pour lesquelles elle n'est pas conçue. Par exemple : ne pas utiliser la scie à chaîne pour couper du plastique, de la maçonnerie ou des matériaux de construction non dérivés du bois.** L'utilisation de la scie à chaîne pour des opérations autres que celles prévues représente un risque de situation dangereuse.

CAUSES DU REBOND ET PRÉCAUTIONS À PRENDRE

Le rebond peut survenir lorsque le nez ou la pointe du guide-chaîne touche un objet ou lorsque le bois se referme et se pince pendant la coupe de la scie à chaîne.

Dans certains cas, le contact de la pointe avec un objet peut causer une réaction inverse soudaine, projetant le guide-chaîne vers le haut et l'arrière, en direction de l'opérateur.

Le pincement de la chaîne au haut du guide-chaîne peut causer une projection rapide de la lame en arrière, en direction de l'utilisateur.

Chacune de ces deux réactions peut entraîner la perte de contrôle de la scie et causer des blessures graves. Ne pas se fier exclusivement aux dispositifs de sécurité intégrés à la scie. L'utilisateur de la scie à chaîne doit prendre un certain nombre de précautions pour éviter les accidents et les blessures.

AVERTISSEMENTS DE SÉCURITÉ RELATIFS AU SCIE À CHÂÎNE

Le rebond est causé par une utilisation et/ou des méthodes de travail incorrectes et il peut être évité en prenant les précautions suivantes :

- **Conserver une prise ferme en plaçant les pouces et les doigts autour des poignées de la scie à chaîne, en gardant les deux mains sur la scie et en positionnant le corps et le bras de manière à résister à la force du rebond.** S'il prend les précautions nécessaires, l'utilisateur peut contrôler la force du rebond. Ne pas échapper la scie à chaîne.
- **Ne pas étirer le corps et ne pas faire de coupe au-dessus des épaules.** Ceci aidera à prévenir le contact involontaire de la pointe et procurera un meilleur contrôle de la scie à chaîne lors de situations inattendues.
- **Utiliser seulement les guide-chaîne et les chaînes de rechange mentionnées par le fabricant.** Le remplacement des guide-chaîne et de chaînes inadéquates peut provoquer le bris et le rebond de la chaîne.
- **Suivre les instructions d'affûtage et d'entretien fournies par le fabricant de la scie à chaîne.** La diminution du limiteur de profondeur augmente le risque de rebond.
- Ne pas commencer à couper avant d'avoir déblayé la zone de travail, d'être bien campé et d'avoir prévu une trajectoire pour échapper à l'arbre en train de s'abattre. Les endroits encombrés sont propices aux accidents.
- Tenir TOUS les autres travailleurs, enfants, badauds et animaux domestiques à distance sécuritaire de la zone de travail. Ne pas laisser les visiteurs toucher la scie à chaîne ou son cordon d'alimentation.
- Ne pas utiliser de scie à chaîne dans des atmosphères explosives, par exemple en présence de liquides, gaz ou poussières inflammables. Les scie à chaîne produisent des étincelles risquant d'enflammer les poussières ou vapeurs.
- Porter une tenue appropriée - Porter des vêtements bien ajustés. Toujours porter une combinaison, des jeans, des manches longs, des jambières en tissu résistant ou dotés de pièces résistantes aux coupures. Porter des chaussures de sécurité antidérapantes. Porter des gants épais pour assurer une bonne prise et protéger les mains. Ne pas porter de bijoux, shorts, sandales et ne pas travailler pieds nus. Ne pas porter des vêtements amples qui pourraient être happés dans le moteur ou se prendre dans la chaîne ou les broussailles. Attacher les cheveux longs pour les maintenir au-dessus des épaules. Porter une protection auditive et un casque.
- Le port d'un vêtement de protection lourd peut accroître la fatigue chez l'utilisateur et lui occasionner un coup de chaleur. Par temps chaud et humide, les travaux exigeants devraient être planifiés en début de matinée ou à la fin de la journée, lorsque le temps est plus frais.
- Toujours porter une protection oculaire avec écrans latéraux certifiée conforme à la norme ANSI Z87.1 ainsi qu'une protection auditive et un casque de la tête lors de l'utilisation de cet équipement.
- Toujours se concentrer sur le travail lors de l'utilisation de cette scie à chaîne. Faire preuve de bon sens. Ne pas utiliser cette scie en état de fatigue, si l'on est souffrant ou contrarié, ou sous l'influence de l'alcool, de drogues ou de médicaments.
- Ne pas exposer la scie à chaîne à la pluie.
- Ne pas utiliser la scie dans des endroits humides ou mouillés.
- Rester vigilant et être attentif au travail. Utiliser l'outil avec bon sens.
- Garder toutes les parties du corps à l'écart de la scie à chaîne lorsque le moteur tourne.
- Ne jamais laisser quiconque n'ayant pas reçu des instructions d'utilisation appropriées utiliser la scie. Cette règle s'applique aux scies de location aussi bien qu'à celles appartenant à des particuliers.
- Avant de lancer le moteur, s'assurer que la chaîne n'est en contact avec aucun objet.
- Arrêter le moteur avant de poser la scie.
- Pour éviter un démarrage accidenter, ne jamais transporter l'outil avec le doigt sur la gâchette.
- Entretenir soigneusement l'outil. Garder l'outil bien affûté et propre, pour obtenir des

AVERTISSEMENTS DE SÉCURITÉ RELATIFS AU SCIE À CHÂÎNE

performances optimales et réduire les risques d'accident. Suivre les instructions de lubrification et de changement d'accessoires.

- Ne pas tenir la scie d'une seule main ! La tenir fermement, les doigts et pouces encerclant les poignées. Ceci exposerait l'utilisateur, les autres travailleurs et toutes les personnes présentes à des risques de blessure grave. Les scies à chaîne sont conçues pour être utilisées à deux mains.
- Se protéger contre les décharges électriques - Éviter tout contact du corps avec des surfaces mises à la terre, telles que tuyaux métalliques et palissades grillagées. Le risque de choc électrique est accru lorsque le corps est mis à la terre.
- Ne jamais utiliser une scie à chaîne endommagée, incorrectement réglée ou pas complètement et solidement assemblée. La chaîne doit ralentir jusqu'à l'arrêt lorsque la gâchette est relâchée. Si la chaîne continue de tourner une fois la gâchette relâchée, faire réparer la scie au centre de réparations agréé.
- Vérifier l'état des pièces. Vérifier l'alignement des pièces mobiles, s'assurer qu'aucune pièce n'est bloquée ou cassée, vérifier la fixation de chaque pièce et s'assurer qu'aucun autre problème ne risque d'affecter le bon fonctionnement de l'outil.
- Tous les entretiens et dépannages, autres que ceux décrits dans le manuel d'utilisation doivent être confiés au centre de réparations agréé.
- Toujours se tenir bien campé.
- Ne pas utiliser l'outil si le commutateur ne permet pas de le mettre en marche et de l'arrêter. Faire remplacer les commutateurs défectueux dans un centre de réparations agréé.
- Ne pas adapter le bloc-moteur à un guide à archet, ni l'utiliser pour entraîner des accessoires non spécifiés pour la scie.
- Débrancher la scie à chaîne de la source de courant lorsqu'elle n'est pas utilisée, avant son entretien et lors de réglages et du changement d'accessoires, tels que la garde et la chaîne de la scie.
- Ne pas couper de lianes ou de petites broussailles.
- Ne pas travailler en se tenant dans un arbre, sur une échelle, toit ou un échaffaudage, ou autre support instable, ce qui est extrêmement dangereux.
NOTE : La taille de la zone de travail dépend du type de sciage effectué ainsi que de la taille de l'arbre ou de la pièce à débiter. Par exemple, l'abattage d'un arbre exige une zone de travail plus grande que le tronçonnage de branches.
- Ne pas forcer la scie. Un outil exécutera le travail mieux et de façon moins dangereuse s'il fonctionne dans les limites prévues.
- Toujours utiliser l'outil adéquat pour le travail. La scie à chaîne ne doit être utilisée que pour couper du bois. Ne jamais l'utiliser pour couper du plastique, du béton ou des matériaux autres que le bois.
- Remiser la scie à chaîne lorsqu'elle n'est pas charge ou n'est pas en usage. La remiser dans un endroit sec, en hauteur ou sous clé, hors de la portée des enfants. Avant de remiser la chaîne, installer le fourreau sur le guide et la chaîne.
- Utiliser seulement la pile et le chargeur indiqués. Conçu pour les bloc-piles au lithium-ion de 20 V. Consulter la documentation de correspondance 990000811 de l'outil, de l'appareil, du bloc-piles et du chargeur.
- Les outils fonctionnant sur piles n'ayant pas besoin d'être branchés sur une prise secteur, ils sont toujours en état de fonctionnement. Rester conscient des dangers lorsque l'outil n'est pas en usage.
- Retirer le bloc-piles pendant la pile n'est pas charge, et avant tout réglage, nettoyage, remisage ou déblocage, lors du remplacement d'accessoires tels que le guide et la chaîne et lorsque l'outil n'est pas en usage.
- Conserver ces instructions. Les consulter fréquemment et les utiliser pour instruire les autres utilisateurs éventuels. Si cet produit est prêté, il doit être accompagné de ces instructions.

AVERTISSEMENTS DE SÉCURITÉ RELATIFS AU SCIE À CHÂÎNE

REBOND

Voir les figures 1 à 3.

⚠ AVERTISSEMENT :

Le rebond se produit lorsque la chaîne en rotation heurte un objet dans la partie supérieure de l'extrémité du guide ou lorsque l'entaille se referme et pince la chaîne dans le bois. Le contact de la partie supérieure de l'extrémité du guide peut faire plonger la chaîne dans le bois et la bloquer pendant un instant. Il en résulte une réaction fulgurante, projetant le guide vers le haut et l'arrière, en direction de l'utilisateur. Le pincement de la chaîne sur le haut du guide peut causer une projection violente de la lame en arrière, en direction de l'utilisateur. Ces réactions peuvent faire perdre le contrôle de la scie et entraîner des blessures graves. Ne pas compter exclusivement sur les dispositifs de sécurité intégrés à la scie. L'utilisateur doit prendre un certain nombre de précautions pour éviter les accidents et blessures.

■ Pour minimaliser le risque de rebond, prendre les précautions suivantes :

- Toujours tenir la scie fermement, à deux mains. Toujours maintenir la scie fermement à deux mains lorsque le moteur tourne. Placer la main droite sur la poignée arrière et la main gauche sur la poignée avant, le pouce et les autres doigts solidement refermés sur les deux poignées. Une prise ferme, bras gauche tendu facilite le contrôle de la scie en cas de rebond.
- S'assurer que l'endroit où la scie est utilisée est dépourvu de tout obstacle. Ne pas laisser l'extrémité du guide entrer en contact avec une bille, une branche, une palissade ou tout autre obstacle risquant d'être heurté pendant le sciage.
- Toujours couper avec le moteur tournant à sa vitesse maximum. Serrer la gâchette d'accélérateur à fond et maintenir une vitesse de coupe constante.
- Utiliser des pièces de rechange telles que chaînes à faible rebond et guides spéciaux

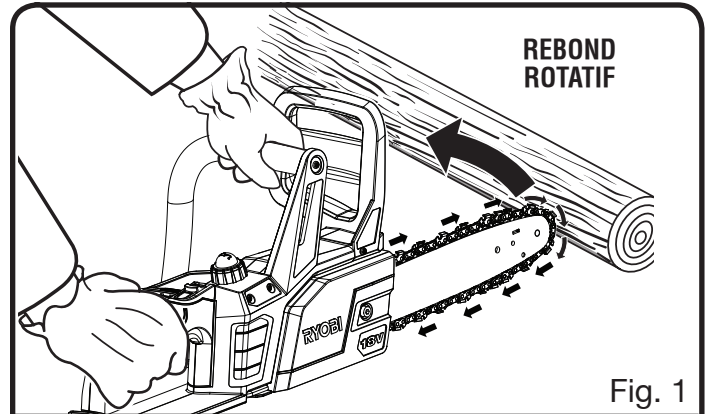


Fig. 1

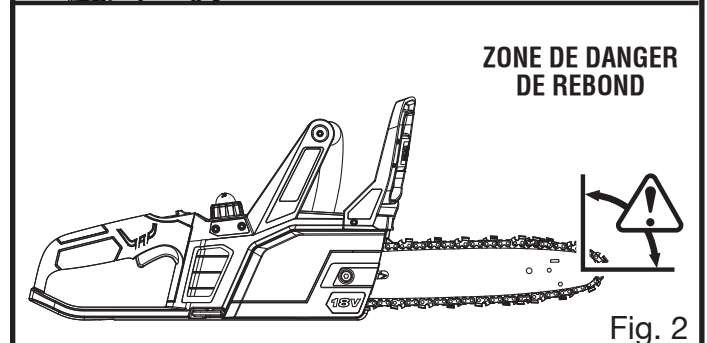


Fig. 2

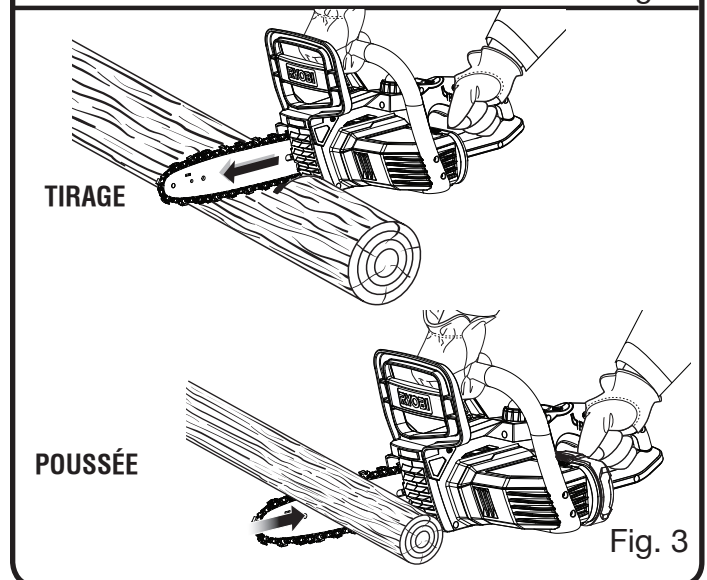


Fig. 3

réduisant les risques de rebond. Utiliser exclusivement les guides et chaînes à faible rebond spécifiés par le fabricant pour la scie.

- Une compréhension élémentaire du rebond peut réduire ou éliminer l'élément de surprise. Les surprises sont favorables aux accidents.
- Ne pas travailler hors de portée. Toujours se tenir bien campé et en équilibre.

AVERTISSEMENTS DE SÉCURITÉ RELATIFS AU SCIE À CHAÎNE

- Ne pas travailler hors de portée ni couper au-dessus de la hauteur des épaules. Ne pas laisser l'extrémité du guide entrer en contact avec une bille, une branche, la terre ou tout autre obstacle risquant d'être heurté pendant le travail.
- Suivre les instructions d'affûtage et d'entretien fournies par le fabricant de la chaîne.
- Poussée et traction - La force de réaction s'exerce toujours dans le sens opposé à la rotation de la chaîne, au point de contact avec le bois. Par conséquent, l'opérateur doit être prêt à contrôler la TIRAGE lorsque la coupe est effectuée avec le bas du guide et la POUSSÉE lorsque la coupe est effectuée avec le haut du guide. *Voir la figure 3.*

COMPRÉHENSION DES DISPOSITIFS DE SÉCURITÉ DE LA SCIE À CHAÎNE CHAÎNE À REBOND RÉDUIT

Les limiteurs d'épaisseur de copeaux placés en avant de chaque gouge peuvent réduire la force de réaction du rebond en empêchant les gouges de mordre trop profondément dans la zone de rebond.

Utiliser exclusivement des chaînes de rechange équivalentes à celle d'origine ou certifiées « rebond réduit » selon ANSI B175.1.

Une scie à chaîne est considérée comme étant à rebond réduit lorsqu'elle répond aux spécifications ANSI B175.1 (norme nationale américaine pour les outils motorisés – Exigences de sécurité pour scies à chaîne à moteur à essence). Les tests ont été effectués sur des échantillons de scies à chaîne de moins de 3,8 cc, conformément aux directives ANSI B175.1.

À mesure qu'une chaîne est affûtée au cours de sa vie utile, elle perd une partie de ses qualités antirebond. Il convient donc de l'utiliser avec une prudence accrue.




GUIDES

En général, les guides à extrémité de faible rayon présentent une moindre tendance au rebond.







Lors du remplacement, veiller à utiliser l'un des guides indiqués pour la scie dans ce manuel d'utilisation.

SYMBOLES

Les termes de mise en garde suivants et leur signification ont pour but d'expliquer le degré de risques associé à l'utilisation de ce produit.







SYMBOLE	SIGNAL	SIGNIFICATION
	DANGER :	Indique une situation extrêmement dangereuse qui, si elle n'est pas évitée, aura pour conséquences des blessures graves ou mortelles.
	AVERTISSEMENT :	Indique une situation potentiellement dangereuse qui, si elle n'est pas évitée, pourrait entraîner des blessures graves ou mortelles.
	ATTENTION :	Indique une situation potentiellement dangereuse qui, si elle n'est pas évitée, pourrait entraîner des blessures légères ou de gravité modérée.
	AVIS :	(Sans symbole s'alerte de sécurité) Indique une information importante ne concernant pas un risque de blessure comme une situation pouvant occasionner des dommages matériels.

Certains des symboles ci-dessous peuvent être utilisés sur ce produit. Veiller à les étudier et à apprendre leur signification. Une interprétation correcte de ces symboles permettra d'utiliser ce produit plus efficacement et de réduire les risques.

SYMBOLE	NOM	DÉSIGNATION / EXPLICATION
	Symbole d'alerte de sécurité	Indique un risque de blessure potentiel.
	Lire le manuel d'utilisation	Pour réduire les risques de blessures, l'utilisateur doit lire et veiller à bien comprendre le manuel d'utilisation avant d'utiliser ce produit.
	Protections oculaire, auditive et casque	Toujours porter une protection oculaire avec écrans latéraux certifiée conforme à la norme ANSI Z87.1 ainsi qu'une protection auditive et un casque de la tête lors de l'utilisation de cet équipement.
	Avertissement concernant l'humidité	Ne pas exposer l'outil à la pluie ni à l'humidité.
	Tenir la scie à deux mains	Tenir la scie à deux mains et l'utiliser correctement.
	Une main	Ne pas tenir la scie d'une seule main.

SYMBOLES

Certains des symboles ci-dessous peuvent être utilisés sur ce produit. Veiller à les étudier et à apprendre leur signification. Une interprétation correcte de ces symboles permettra d'utiliser ce produit plus efficacement et de réduire les risques.

SYMBOLE	NOM	DÉSIGNATION / EXPLICATION
	Rebond	DANGER ! ATTENTION AUX REBONDS.
	Contact avec l'extrémité du guide	Éviter tout contact avec l'extrémité du guide.
	Gants	Porter des gants épais antidérapants lors de l'utilisation de la scie à chaîne.
	Chaussures de sécurité	Porter des chaussures de travail à semelle antidérapante lors de l'utilisation de l'outil.
	La tenir à l'écart de lignes électriques et ne laisser personne s'approcher	DANGER ! Risque d'électrocution ! Ne pas travailler à moins de 15m (50 pi) de lignes électriques. Pour l'abattage, garder les badauds et animaux domestiques à une distance de 15 m (50 pi) minimum ou au moins deux fois la taille de l'arbre le plus grand se trouvant dans la zone de coupe.
	Symboles de recyclage	Ce produit utilise les piles de lithium-ion ou nickel-cadmium. Les réglementations locales ou gouvernementales peuvent interdire de jeter les piles au nickel-cadmium dans les ordures ménagères. Consulter les autorités locales compétentes pour les options de recyclage et/ou l'élimination.
V	Volts	Tension
≡	Courant continu	Type ou caractéristique du courant

GLOSSAIRE

Tronçonnage

Coupe transversale d'un arbre abattu ou d'une bille de bois pour le débiter en tronçons.

Bloc moteur de scie à chaîne

Scie à chaîne sans la chaîne et le guide.

Pignon d'entraînement

Roue dentée entraînant la chaîne.

Abattage

Opération de coupe d'un arbre pour le faire tomber.

Entaille d'abattage

Entaille finale d'une opération d'abattage, pratiquée à l'opposé de l'entaille de dessous.

Garde avant de main

Barrière structurelle placée entre la poignée avant et le guide de chaîne de la scie, se trouvant généralement près de la position de la main sur la poignée avant.

Poignée avant

Poignée de maintien placée à l'avant de la scie à chaîne. Cette poignée est pour la main gauche.

Guide de chaîne

Structure rigide, dotée d'un rail de support et guidage de la chaîne.

Rebond

Mouvement du guide vers le haut ou vers l'arrière se produisant lorsque la chaîne heurte un objet, tel qu'une bille de bois ou une branche, dans la partie supérieure de l'extrémité du guide, ou lorsque l'entaille se referme et pince la chaîne dans le bois.

Rebond (pincement)

Recul brutal de la scie se produisant lorsque le bois de l'entaille se referme, sur la chaîne en rotation dans la partie supérieure du guide.

Rebond (rotatif)

Mouvement brutal de la scie vers le haut et l'arrière pouvant se produire lorsque la chaîne en rotation heurte un objet, tel qu'une bille de bois ou une branche, dans la partie supérieure de l'extrémité du guide.

Bouton de verrouillage de gâchette

Butée articulée empêchant d'actionner accidentellement le commutateur tant qu'il n'est pas manuellement actionné.

Chaîne à rebond réduit

Chaîne conforme aux normes antirebond ANSI B175.1 lorsqu'elle est testée sur des échantillons représentatifs de scies à chaîne.

Position de coupe normale

Positions utilisées pour le tronçonnage et l'abattage.

Sifflet d'abattage

Entaille permettant de diriger le sens de chute de l'arbre.

Poignée arrière

Poignée de maintien placée à l'arrière de la scie. Elle comporte généralement l'accélérateur. Cette poignée est pour la main droite.

Guide de chaîne à rebond réduit

Guide ayant été prouvé réduire considérablement le rebond.

Chaîne de rechange

Chaîne conforme aux normes antirebond ANSI B175.1 lorsque testée sur certaines scies. Une telle chaîne peut ne pas répondre aux exigences de performances ANSI lorsqu'elle est utilisée sur d'autres scies.

Chaîne

Une chaîne en boucle dotée de dents pour la coupe du bois, entraînée par le moteur et supportée par le guide.

Fouet

Arbuste ou branche fléchie ou bloquée sous tension. Cette pièce peut se détendre brusquement lorsqu'elle est coupée, créant une situation dangereuse.

Commutateur

Dispositif permettant d'ouvrir ou de fermer le circuit d'alimentation du moteur de la scie à chaîne.

CARACTÉRISTIQUES

FICHE TECHNIQUE

Moteur 18 V c.c.

Longueurs de guide 254 mm (10 po)

NOTE : Cette scie est conçue pour des travaux occasionnels légers et sa capacité de coupe présente certaines limites.

VEILLER À BIEN CONNAÎTRE LA SCIE À CHAÎNE

Voir la figure 4.

La sécurité d'utilisation de ce produit exige la compréhension des informations apposées sur l'outil

et contenues dans ce manuel d'utilisation, ainsi que la connaissance du travail à exécuter. Avant d'utiliser ce produit, se familiariser avec toutes ses fonctions et règles de sécurité.

COMBINAISONS DE GUIDE ET CHAÎNE RECOMMANDÉES DE REMPLACEMENT

N° de référence de barra - 254 mm (10 po)	N° de référence de la chaîne
311278001	693814001

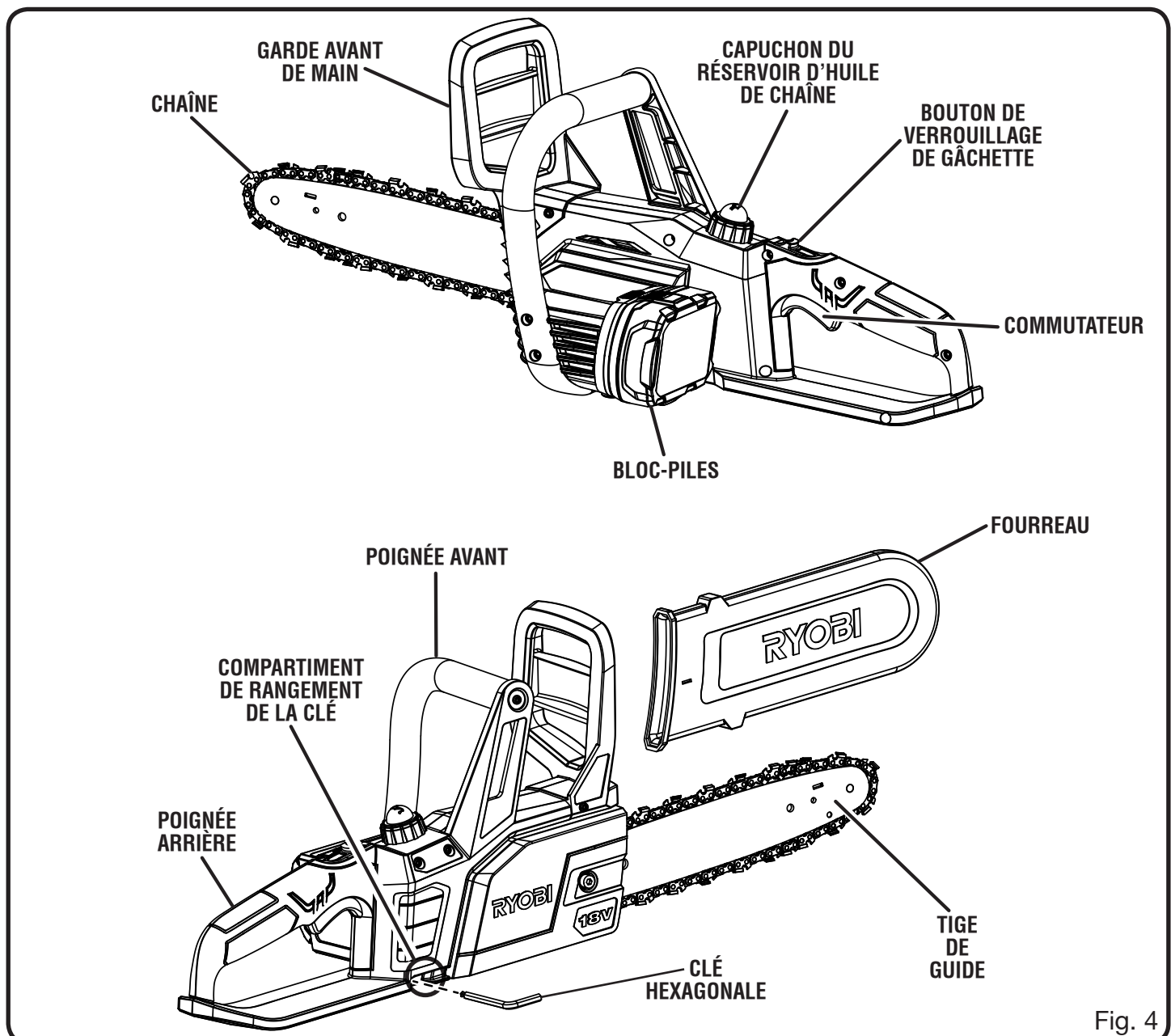


Fig. 4

ASSEMBLAGE

DÉBALLAGE

Ce produit a été expédié complètement assemblé.

- Avec précaution, sortir le produit et les accessoires de la boîte. S'assurer que toutes les pièces figurant sur la liste de contrôle sont incluses.

AVERTISSEMENT :

Ne pas utiliser le produit s'il n'est pas complètement assemblé ou si des pièces semblent manquantes ou endommagées. Le fait d'utiliser un produit assemblé de façon inadéquate ou incomplète peut entraîner des blessures graves.

- Examiner soigneusement le produit pour s'assurer que rien n'a été brisé ou endommagé en cours de transport.
- Ne pas jeter les matériaux d'emballage avant d'avoir soigneusement examiné le produit et avoir vérifié qu'il fonctionne correctement.
- Si des pièces sont manquantes ou endommagées, appeler le 1-800-860-4050.

LISTE DE CONTRÔLE D'EXPÉDITION

Scie à chaîne avec fourreau

Clé hex.

Manuel d'utilisation

AVERTISSEMENT :

Si des pièces manquent ou sont endommagées, ne pas utiliser ce produit avant qu'elles aient été remplacées. Le fait d'utiliser ce produit même s'il contient des pièces endommagées ou s'il lui manque des pièces peut entraîner des blessures graves.

AVERTISSEMENT :

Ne pas essayer de modifier ce produit ou de créer des accessoires non recommandés pour ce produit. De telles altérations ou modifications sont considérées comme un usage abusif et peuvent créer des conditions dangereuses, risquant d'entraîner des blessures graves.

AVERTISSEMENT :

Pour empêcher un démarrage accidentel pouvant entraîner des blessures graves, toujours déconnecter le fil de bougie de moteur de la bougie d'allumage avant d'assembler des pièces.

UTILISATION

DANGER :

Ne jamais effectuer de coupes près de cerceaux de lignes, lignes cordon de électriques ou de sources de courant. Si les embouteillages de barre et chaîne sur la cordon électrique ou linea, Ne pas manipuler la guide ou la chaîne! ELLE PEUT ÊTRE SOUS TENSION ET DONC, EXTRÊMEMENT DANGEREUSE. Continuer de tenir scie à chaîne par la poignée arrière isolée ou le poser à l'écart en prenant les précautions nécessaires. Mettre le circuit électrique de la ligne électrique hors tension ou débrancher le cordon endommagé avant d'essayer de débloquer la lame. Le contact avec la barre et chaîne, d'autres parties conductrices du scie à chaîne, ou des cordons ou des fils électriques sous tension entraînerait mortelles, choc électrique, ou des blessures graves.

UTILISATION

⚠ AVERTISSEMENT :

Ne pas laisser la familiarité avec ce produit faire oublier la prudence. Ne pas oublier qu'une fraction de seconde d'inattention peut entraîner des blessures graves.

⚠ AVERTISSEMENT :

Toujours porter une protection oculaire avec écrans latéraux certifiée conforme à la norme ANSI Z87.1 ainsi qu'une protection auditive et un casque. Si cette précaution n'est pas prise, des objets peuvent être projetés dans les yeux et causer des lésions graves.

⚠ AVERTISSEMENT :

Ne pas utiliser d'outils ou accessoires non recommandés par le fabricant pour ce produit. L'utilisation de pièces et accessoires non recommandés peut entraîner des blessures graves.

⚠ AVERTISSEMENT :

Ne jamais abattre un arbre ou couper des bûches ou des branches ayant un diamètre plus grand que le guide-chaîne. Seuls les professionnels bien formés peuvent exécuter ces coupes. L'exécution de ce genre de coupes peut provoquer un accident et occasionner des blessures graves ou mortelles.

AVIS :

Avant chaque utilisation, inspecter au complet le produit afin de s'assurer qu'aucune pièce (vis, écrous, boulons, chapeaux, etc.) n'est endommagée, manquante ou desserrée. Serrer solidement toutes les pièces de fixation et les chapeaux et ne pas utiliser le produit tant que toutes les pièces manquantes ou endommagées n'ont pas été remplacées. Veuillez communiquer avec le service à la clientèle ou un centre de réparations autorisés pour obtenir de l'aide.

APPLICATIONS

Ce produit peut être utilisé pour les applications ci-dessous :

- Ébranchage et émondage
- Abattage d'arbustes
- Tronçonnage des arbres abattus

Ce produit est compatible avec les piles 18 V au lithium-ion et au nickel cadmium de Ryobi One+.

Pour prendre connaissance de l'ensemble des instructions relatives à la charge, consulter les manuels d'utilisation des blocs-piles One+ de Ryobi et des modèles de chargeur connexes.

RETRAIT/INSTALLATION DU BLOC-PILES

Voir la figure 5.

⚠ AVERTISSEMENT :

Toujours retirer la pile de l'outil au moment d'assembler des pièces, d'effectuer des réglages et de procéder au nettoyage, ou lorsque l'outil n'est pas utilisé. Le fait de retirer la pile permet d'empêcher un démarrage accidentel pouvant entraîner des blessures graves.

NOTE : Pour éviter des blessures graves, toujours retirer le bloc-piles et tenir à distance de mains le bouton de verrouillage en portant l'outil.

Installation :

- Placer le bloc-piles dans la scie. Aligner la saillie du bloc-piles sur la rainure du logement de la scie.
- S'assurer que ses deux loquets latéraux s'engagent correctement et vérifier que le bloc est solidement assujéti avant d'utiliser l'outil.

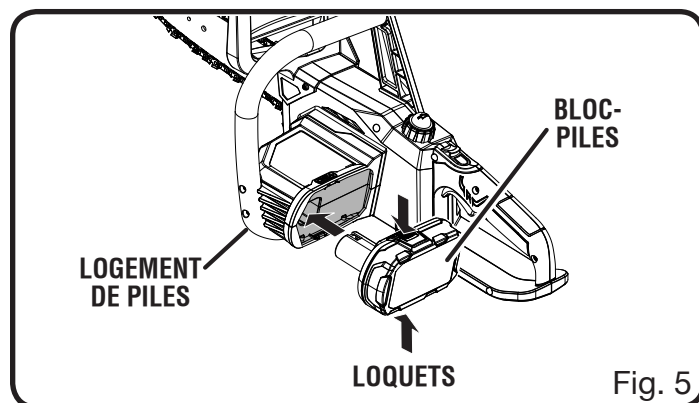


Fig. 5

UTILISATION

Retrait :

Appuyer sur les deux loquets se trouvant sur les côtés du bloc-piles pour le séparer de la scie à chaîne.

AVIS :

Lors de l'installation du bloc-piles sur la scie, veiller à ce que sa nervure en saillie s'aligne sur la rainure du logement de la scie et que les loquets latéraux s'engagent correctement. Une insertion incorrecte du bloc-piles peut causer des dommages aux composants internes.

AVIS :

Retirer le bloc-piles de l'outil. Remplir le réservoir d'huile pour chaîne et guide avant de mettre la scie en marche. Un manque de lubrification causerais des dommages à la chaîne et au guide.

SYSTÈME DE LUBRIFICATION DE LA CHAÎNE

Voir la figure 6.

- Utiliser de la lubrifiant Ryobi pour guide et chaîne. Cette lubrifiant est formulée pour fonctionner dans une vaste plage de températures sans être diluée.
- NOTE :** Ne pas utiliser de lubrifiant sale, usagée ou autrement contaminée. Cela pourrait endommager le guide ou la chaîne.
- Verser soigneusement le lubrifiant pour guide et chaîne dans le réservoir.
- Vérifier le niveau d'huile et faire l'appoint lors de la recharge des piles ou selon le besoin.
- Appuyer une fois sur le bouchon réservoir d'huile pour lubrifier la chaîne et le guide avant de mettre la scie en marche.
- Pour maintenir la lubrification de la chaîne, appuyer sur le bouchon une fois tous les quelques minutes pendant le travail.

NOTE : Il est normal que de le lubrifiant suinte de la scie lorsqu'elle n'est pas en usage. Pour éviter ce suintement, vider le réservoir d'huile après chaque utilisation. Lorsque la scie est remise pour une période prolongée (trois mois ou plus), s'assurer que la chaîne et le pignon d'entraînement sont légèrement lubrifiés pour les protéger de la rouille.

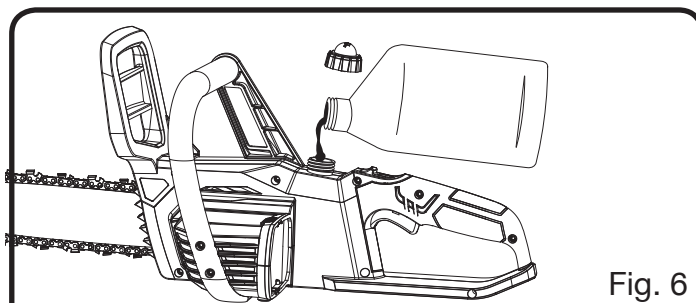


Fig. 6

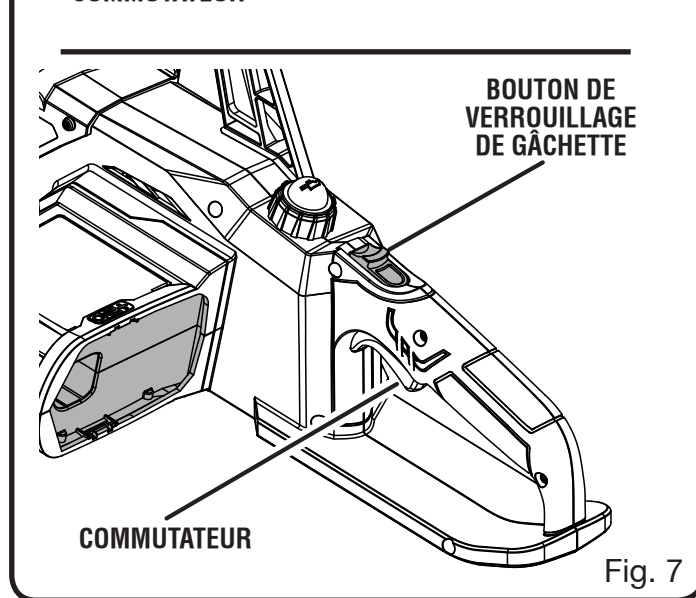
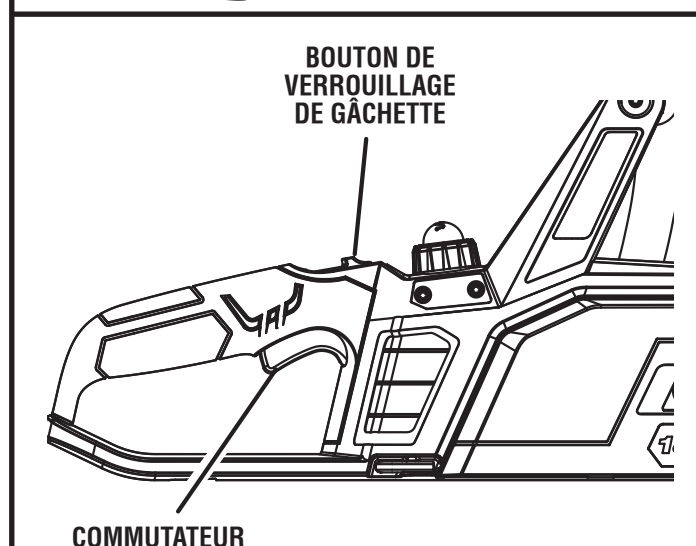


Fig. 7

DÉMARRAGE ET ARRÊT DE LA SCIE À CHAÎNE

Voir la figure 7.

⚠ AVERTISSEMENT :

Garder le corps à droite de la ligne de chaîne. Ne jamais chevaucher la scie ou la chaîne ou se pencher au-delà de la ligne de chaîne.

UTILISATION

Démarrage de la scie à chaîne :

- Placer la scie sur un sol plan dégagé et veiller à ce qu'aucun objet ou obstacle risquant d'être heurté par le guide ou la chaîne se trouve à proximité.
- Maintenir le bouton de verrouillage de gâchette enfoncé. Ceci permet d'actionner la commutateur.
- Pour le fonctionnement continu, appuyer sur la commutateur, désengager le bouton de verrouillage et maintenir la commutateur enfoncée.

Arrêt de la scie à chaîne :

- Pour arrêter la scie, relâcher la commutateur.
- Lorsque la commutateur est relâchée, le bouton de verrouillage se remet automatiquement en position verrouillée.

Cet outil n'est pas conçu pour couper des branches, d'un diamètre de plus de 178 mm (7 po).

Cette scie à chaîne sans fil est conçue pour émonder, élaguer et couper des branches ou petits arbres, d'un diamètre maximum de 178 mm (7 po).

PRÉPARATION POUR LA COUPE

SAISIR CORRECTEMENT LES DEUX POIGNÉES

Voir les figures 8 à 10.

Voir *Instructions de sécurité importantes*, plus haut dans ce manuel, pour des informations détaillées au sujet de l'équipement de sécurité.

- Porter des gants antidérapants pour assurer une prise et une protection maximum.
- Tenir la scie fermement, à deux mains. Toujours garder la main gauche sur la poignée avant et la main droite sur la poignée arrière, de façon à ce que le corps se trouve à gauche de la ligne de chaîne.

⚠ AVERTISSEMENT :

Ne jamais utiliser une prise gauchère (mains inversées) ou une position qui placerait le bras ou le corps en travers de la ligne de chaîne.

- Toujours tenir solidement la scie lorsque le moteur tourne. Les doigts doivent entourer la poignée, le pouce étant passé au-dessous. Avec

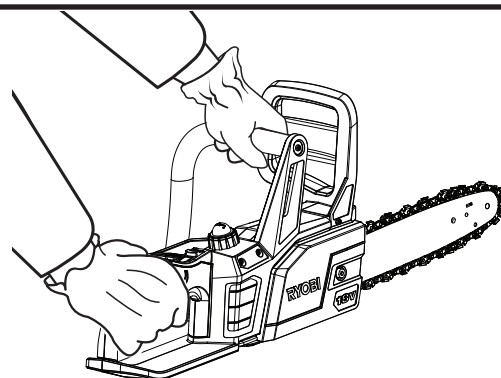


Fig. 8



Fig. 9

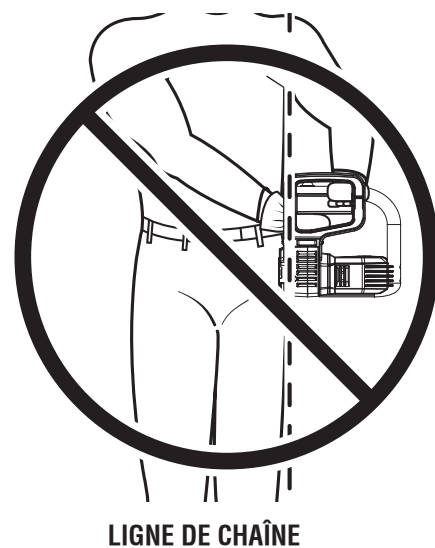


Fig. 10

cette prise, la scie risque moins d'échapper à l'utilisateur (sous l'effet d'un rebond ou d'une autre réaction soudaine de la scie). Il est dangereux de tenir la scie avec les doigts et le pouce du même côté de la poignée, car le moindre à-coup peut faire perdre le contrôle de la scie.

UTILISATION

⚠ AVERTISSEMENT :

Ne pas actionner la commutateur avec la main gauche en tenant la poignée avant avec la main droite. Ne jamais laisser une partie du corps quelconque se trouver dans la ligne de chaîne pendant l'utilisation de la scie. Une utilisation inadéquate de la scie à chaîne peut entraîner des blessures graves.

POSITION DE COUPE CORRECTE

Voir la figure 11.

⚠ AVERTISSEMENT :

Toujours, employer une position de coupe adéquate comme décrite dans ce chapitre. Ne jamais s'agenouiller pendant l'utilisation de la scie à chaîne sauf pour abattre un arbre comme démontré à la figure 15. Le fait de s'agenouiller peut provoquer une déstabilisation et une perte de contrôle de la scie à chaîne et provoquer des blessures graves.

- Se tenir bien campé et en équilibre sur les deux pieds, sur un sol ferme.
- Garder le bras gauche tendu afin de pouvoir résister à la force d'un éventuel rebond.
- Toujours garder le corps à gauche de la ligne de chaîne.
- Garder le pouce au-dessous de la poignée.

MÉTHODE DE COUPE ÉLÉMENTAIRE

S'exercer en coupant quelques petites branches avec la technique décrite ci-après, pour se familiariser avec la scie avant d'entreprendre un travail de coupe important.

- Soutenir les billes avec un chevalet ou une berceau
- Se mettre en position correcte, face à la pièce à couper, avec la scie arrêtée.
- Appuyer sur la commutateur et laisser la chaîne parvenir à pleine vitesse avant de commencer la coupe.
- Commencer la coupe avec la scie appuyée contre la bille.
- Maintenir un régime moteur uniforme pendant toute la durée de la coupe.
- Laisser la scie effectuer le travail, ne la pousser que légèrement vers le bas. Une force excessive

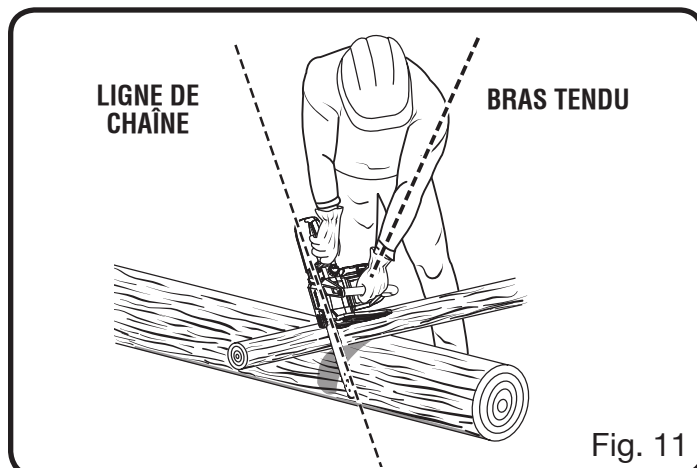


Fig. 11

pourrait endommager la chaîne, le guide ou le moteur.

- Relâcher la commutateur dès que la coupe a été effectuée et attendre que la chaîne s'immobilise. Le fonctionnement sans charge de coupe peut inutilement causer une usure excessive de la chaîne du guide et du moteur.
- Ne pas appuyer sur la scie en fin de coupe.

PRÉCAUTIONS DE CHANTIER

- Ne couper que du bois ou des matériaux dérivés du bois. Ne jamais couper de la tôle, des matières plastiques, du béton ou matériaux de construction autres que le bois.
- Ne jamais laisser un enfant utiliser la scie. Ne jamais laisser quiconque n'ayant pas lu le manuel d'utilisation ou reçu des instructions appropriées concernant la sécurité et l'utilisation correcte de la scie.
- Tenir les autres travailleurs, badauds et animaux domestiques à distance sécuritaire de la zone de travail. Pour l'abattage, la distance sécuritaire doit être au moins deux fois la taille de l'arbre le plus grand se trouvant dans la zone de coupe. Pendant l'ébranchage, maintenir une distance d'au moins 4,5 m (15 pi) entre les travailleurs.
- Toujours couper avec les deux pieds posés sur un sol ferme pour éviter toute perte d'équilibre.
- Ne pas couper au-dessus du niveau de la poitrine, car il est difficile de contrôler une scie maintenue plus haut en cas de rebond.
- Ne pas abattre d'arbres se trouvant à proximité de lignes électriques ou de bâtiments. Ce type de travail doit être confié à des professionnels.
- Ne couper que lorsque la visibilité et la lumière permettent de voir clairement.

UTILISATION

ABATTAGE D'ARBRES

Voir les figures 12 à 15.

SITUATIONS DANGEREUSES

⚠ AVERTISSEMENT :

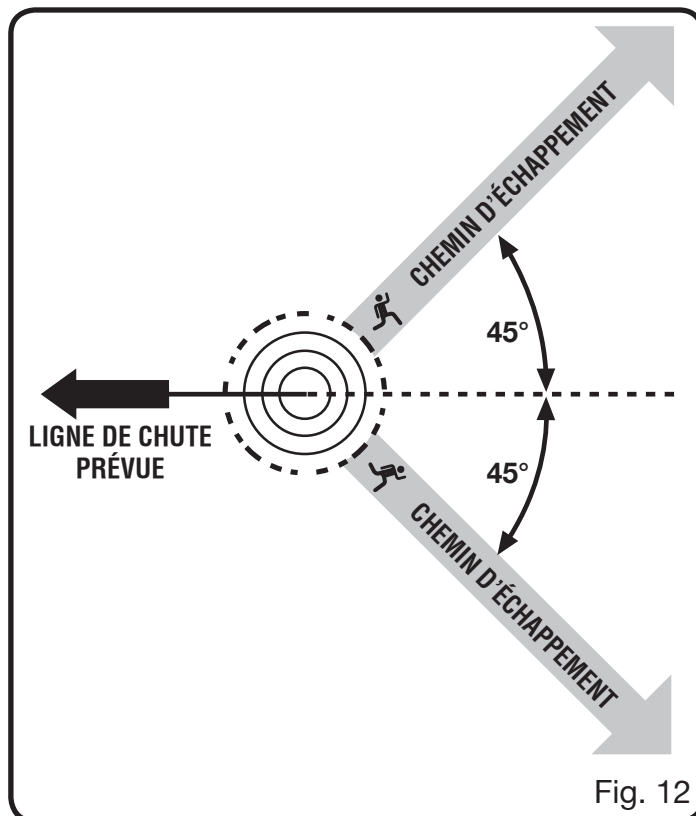
Ne pas effectuer d'abattage par grand vent ou en cas de fortes précipitations. Attendre que le temps se calme.

⚠ AVERTISSEMENT :

Surveiller attentivement les branches brisées ou mortes qui peuvent tomber pendant le taillage et éviter de tailler près des édifices ou fils électriques si la direction de la chute de l'arbre est incertaine. Ne pas tailler le soir ou pendant des conditions climatiques mauvaises, comme sous la pluie, la neige, lors de vents forts. Ces conditions peuvent réduire la visibilité et la manoeuvrabilité de la scie à chaîne. Si l'arbre à abattre entre en contact avec tout câble de service public, il faut cesser l'utilisation de la scie à chaîne et informer immédiatement le fournisseur de service public. Ne pas suivre ces directives peut causer des blessures graves ou mortelles.

Lors de l'abattage d'un arbre il est impératif de suivre les avertissements et les instructions pour éviter des risques de blessure grave.

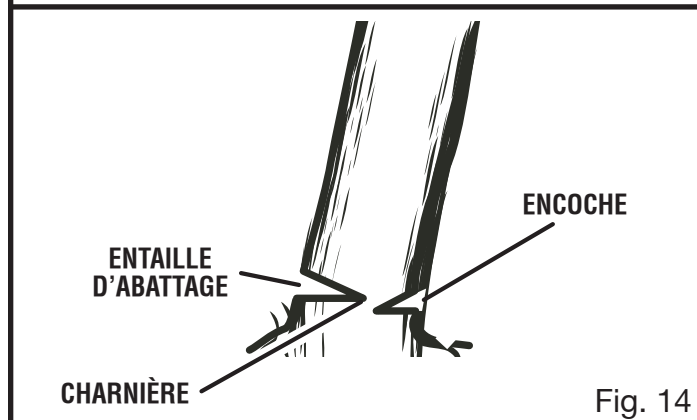
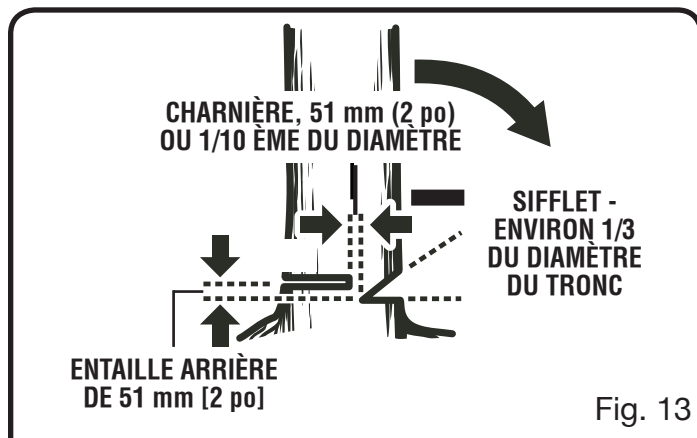
- Ne pas couper d'arbres extrêmement inclinés ou de gros arbres aux branches pourries, à l'écorce décollée ou au tronc creux. Ces arbres doivent être poussés ou tirés à terre par un engin de chantier lourd avant d'être débités.
- Ne pas abattre d'arbres se trouvant à proximité de lignes électriques ou de bâtiments.
- Regarder si l'arbre comporte des branches mortes ou endommagées, risquant de tomber et de heurter l'utilisateur pendant l'abattage.
- Pendant la coupe du trait d'abattage, observer de temps à autre la cime de l'arbre pour s'assurer qu'il tombera dans la direction souhaitée.
- Si l'arbre commence à tomber dans le mauvais sens ou si la scie est pincée ou bloquée pendant la chute, l'abandonner et s'échapper !



- Abattage - Lorsque deux personnes ou plus effectuent des opérations de tronçonnage à proximité d'un abattage, elles doivent se trouver à une distance correspondant à au moins deux fois la hauteur de l'arbre abattu. Les arbres ne doivent pas être abattus d'une manière risquant de mettre quiconque en danger, de heurter une ligne électrique ou de causer des dommages matériels. Si une ligne électrique est heurtée, la compagnie d'électricité doit être immédiatement notifiée.
- Avant de commencer une coupe, déterminer un chemin d'échappement (ou plusieurs au cas où le chemin prévu serait bloqué) débarrasser les environs immédiats et s'assurer qu'aucun obstacle se trouve sur le chemin d'échappement prévu. Les trajectoires sécuritaires du chemin d'échappement doivent se situer à l'arrière et en diagonale (45°) à l'arrière de la ligne de chute prévue. Lorsque l'arbre commence à tomber, il faut s'écarter de la ligne de chute et suivre le chemin d'échappement et s'éloigner d'au moins 6 m (20 pi) du tronc au cas où l'arbre rebondirait sur la souche. Voir la figure 12.

UTILISATION

- Avant de commencer l'abattage, tenir compte de la force et de la direction du vent, de l'inclinaison et de l'équilibre de l'arbre et de la position des grosses branches. Tous ces facteurs influencent la direction dans laquelle l'arbre tombera. Ne pas faire levier pour abattre un arbre dans une direction autre que la ligne de chute naturelle.
- L'opérateur doit se tenir en amont de l'arbre, étant donné qu'une fois abattu, l'arbre glissera ou roulera vers le bas de la pente.
- Éliminer la terre, les pierres, l'écorce décollée, les clous, agrafes et fils métallique des endroits où les entailles doivent être pratiquées.
- **Entaille de dessous.** Pratiquer une entaille d'environ le tiers du diamètre du tronc, perpendiculairement à la ligne de chute. Veiller à ce que les entailles du sifflet se rejoignent à angle droit par rapport à la ligne de chute. Le sifflet doit être taillé de façon à présenter une ligne droite. Pour empêcher le pincement de la scie sous le poids du bois, toujours effectuer l'entaille inférieure en premier. *Voir la figure 13.*
- **Entaille d'abattage.** L'entaille d'abattage doit toujours être de niveau et horizontale et effectuée à au moins 51 mm (2 po) au-dessus de l'entaille horizontale du sifflet. *Voir les figures 13 et 14.*
- Ne jamais couper jusqu'au sifflet. Toujours laisser une épaisseur de bois d'environ 51 mm (2 po) ou 1/10^{ème} du diamètre du tronc entre l'entaille d'abattage et le sifflet. Ceci s'appelle une « charnière ». Cette charnière contrôle la chute de l'arbre et empêche le tronc de glisse, de pivoter ou de basculer sur la souche. *Voir les figures 13 et 14.*
- Sur les arbres de grand diamètre, arrêter le trait d'abattage avant qu'il ne soit assez profond pour causer la chute de l'arbre ou son affaissement sur la souche. Ensuite, insérer des coins en bois ou en plastique dans le trait, de façon à ce qu'ils ne touchent pas la chaîne. Les coins peuvent être enfoncés petit à petit pour faire levier sur l'arbre. *Voir la figure 15.*
- Dès que l'arbre commence à tomber, arrêter la scie et la poser immédiatement à terre. S'échapper par le chemin dégagé tout en



prenant garde que rien ne tombe vers soi. Se méfier des branches risquant de tomber et regarder où l'on met les pieds.

⚠ AVERTISSEMENT :

Ne jamais couper l'entaille d'abattage jusqu'au sifflet. La charnière, qui est la section de bois laissée intacte entre le trait d'abattage et le sifflet contrôle la chute de l'arbre.

ÉLIMINATION DES RACINES ÉCHASSES

Voir la figure 16.

Une racine échasse est une grosse racine qui s'étend à partir du tronc au-dessus du sol. Retirer les grosses racines échasses avant d'abattre l'arbre. Pratiquer d'abord l'entaille horizontale dans la racine échasse, puis l'entaille verticale. Éloigner la section coupée de la zone de travail. Une fois que les grandes racines échasses sont éliminées, suivre la procédure d'abattage correcte.

DÉBITAGE

Voir les figures 17 à 20.

Tronçonnage est le terme utilisé pour la coupe d'un arbre abattu en billes de la taille désirée.

- Toujours veiller à se tenir bien campé et en équilibre, le poids également réparti sur les deux pieds.
- Ne couper qu'une bille à la fois.
- Soutenir les petites billes avec un chevalet ou une autre bille.
- Garder le lieu de travail propre et déblayé. S'assurer que rien ne risque d'entrer en contact avec l'extrémité du guide et la chaîne, car cela pourrait causer un rebond. Voir **Rebond**, plus haut dans ce manuel.
- Lors du tronçonnage sur une pente, toujours se tenir en amont de la bille. En fin de coupe, réduire la pression exercée sur la scie, sans relâcher la prise des deux mains sur les poignées afin de garder le contrôle de la scie. Ne pas laisser la chaîne heurter le sol. Une fois la coupe terminée, attendre l'immobilisation complète de la chaîne avant de se déplacer. Toujours arrêter le moteur avant de passer d'un arbre à un autre.

DÉBITAGE DE BILLES SOUS CONTRAINTE

Voir les figures 19 et 20.

Lorsqu'une bille est soutenue sur toute sa longueur, elle doit être coupée par le dessus.

Lorsqu'une bille est soutenue à une extrémité, elle doit être coupée par le dessous, jusqu'au tiers de son diamètre. Ensuite la coupe de finition doit être pratiquée par le dessus, de manière à rejoindre la coupe initiale.

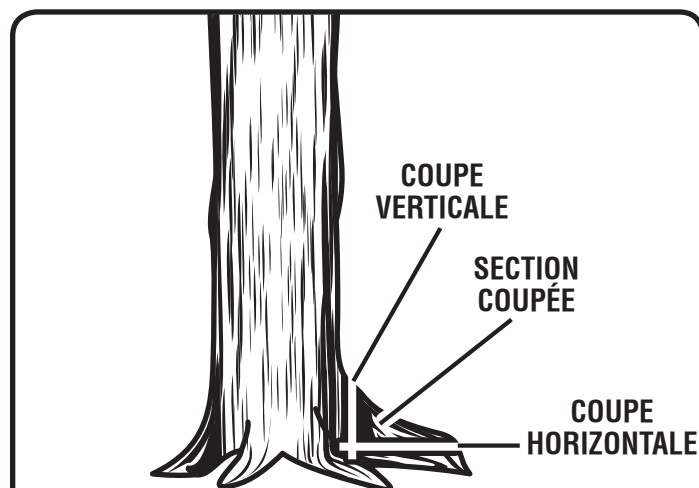


Fig. 16

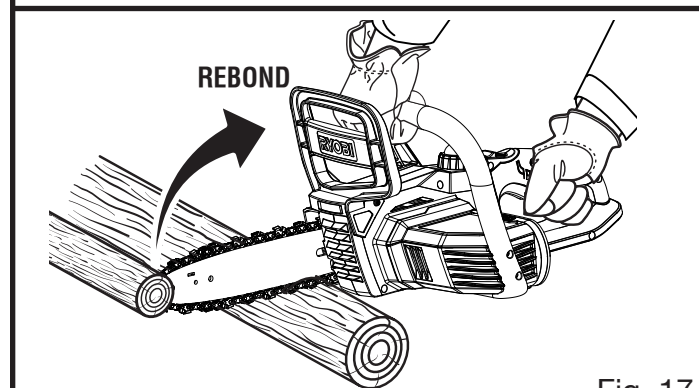


Fig. 17

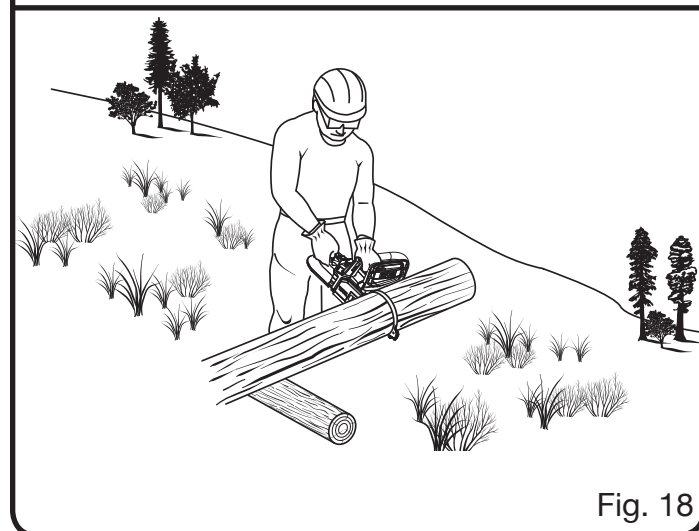


Fig. 18

UTILISATION

À mesure qu'elle est coupée, la bille a tendance à fléchir. Si la première coupe dépasse le tiers du diamètre de la bille, la lame risque d'être pincée ou bloquée dans l'entaille. Prêter une attention particulière aux billes sous contrainte pour éviter que le guide et la chaîne ne soient pincés.

Lors du tronçonnage sur une pente, toujours se tenir en amont de la bille, comme le montre la figure 18. En fin d'une coupe « traversante », réduire la pression exercée sur la scie, sans relâcher la prise des deux mains sur les poignées afin de garder le contrôle total de la scie. Ne pas laisser la chaîne heurter le sol. Une fois la coupe terminée, attendre l'immobilisation complète de la chaîne avant de se déplacer. Toujours arrêter le moteur avant de passer à un autre arbre.

TYPES DE COUPE UTILISÉS

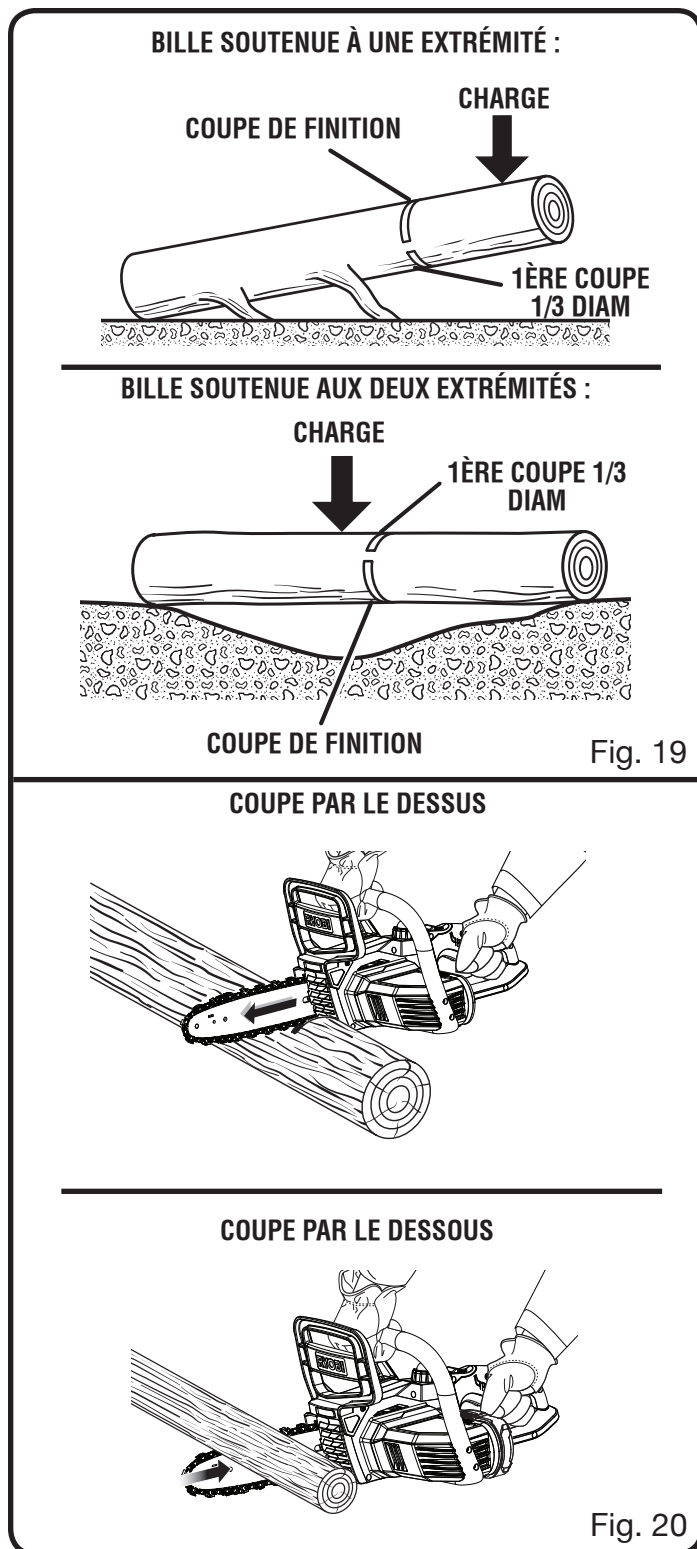
Voir la figure 20.

COUPE PAR LE DESSUS

Commencer sur le dessus de la bille, le bas de la scie appuyé contre le bois et exercer une légère pression vers le bas. Noter que la scie aura tendance à tirer vers l'avant.

COUPE PAR LE DESSOUS

Commencer par le dessous de la bille, le haut de la scie appuyé contre le bois et exercer une légère pression vers le haut. Noter que la scie aura tendance à pousser vers l'utilisateur. Être préparé à cette réaction et maintenir la scie fermement pour garder le contrôle.



UTILISATION

ÉBRANCHAGE ET ÉMONDAGE

Voir les figures 21 et 22.

- Travailler lentement et tenir la scie fermement à deux mains. Se tenir bien campé et en équilibre.
- Garder le tronc entre le corps et la scie pendant la coupe.
- Ne pas utiliser la scie en se tenant sur une échelle. Cela est extrêmement dangereux. Ce type de travail doit être confié à des professionnels.
- Ne pas couper au-dessus de la hauteur de la poitrine. Il est difficile de contrôler une scie maintenue plus haut en cas de rebond.

⚠ AVERTISSEMENT :

Ne jamais grimper dans un arbre pour l'ébrancher ou l'émonder. Ne pas travailler en se tenant sur une échelle, une plate-forme, toits, ou une bille, ni se tenir dans une position risquant de faire perdre l'équilibre ou le contrôle de la scie et peut causer la mort ou des blessures graves..

- Lors de l'émonnage il est important de ne pas couper au ras d'une branche maîtresse ou du tronc, avant d'avoir coupé la branche à distance pour en réduire le poids. Ceci évite d'endommager l'écorce.
 - La première entaille doit être effectuée par le dessous, jusqu'au tiers du diamètre de la branche.
 - Pratiquer l'entaille par le dessus pour faire tomber la branche.
 - Effectuer la coupe finale sans à-coup et nettement, au ras du tronc ou de la branche maîtresse, de façon à ce que l'écorce puisse repousser pour sceller la plaie.

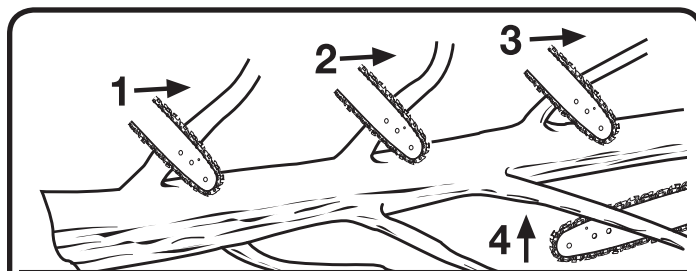
⚠ AVERTISSEMENT :

Si les branches à couper se trouvent au-dessus du niveau des épaules, confier le travail à un professionnel. Le fait d'effectuer des coupes au-dessus de la hauteur des épaules peut entraîner un accident, ce qui peut causer des blessures graves.

FOUETS

Voir la figure 23.

Un fouet est une bille, une branche, une souche déracinée ou un arbrisseau fléchi sous tension par une autre pièce de bois qui se détendra une fois que cette



COUPER LES BRANCHES UNE À UNE ET LAISSER CELLES SOUTENANT LE TRONC JUSQU'À CE QU'CELUI-CI SOIT DÉBITÉ

Fig. 21

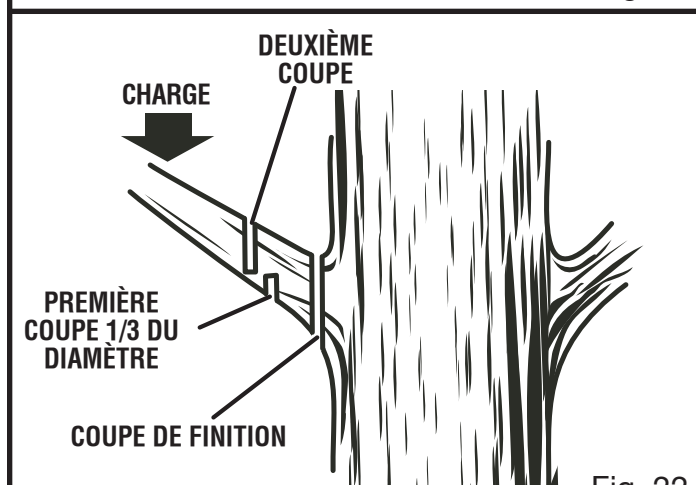


Fig. 22



Fig. 23

pièce est coupée ou enlevée. La souche déracinée d'un arbre abattu risque fortement de se remettre à la verticale lorsque la coupe destinée à séparer le tronc de la souche est effectuée. Se méfier des fouets, ils sont dangereux.

⚠ AVERTISSEMENT :

Les fouets sont dangereux et peuvent heurter l'opérateur, lui faisant perdre le contrôle de la scie. Ceci peut entraîner des blessures graves ou mortelles.

ENTRETIEN

AVERTISSEMENT :

Pour empêcher un démarrage accidentel pouvant entraîner des blessures graves, toujours retirer le piles de l'produit avant tout nettoyage ou entretien.

AVERTISSEMENT :

Toujours porter une protection oculaire avec écrans latéraux certifiée conforme à la norme ANSI Z87.1 ainsi qu'un protection auditive et un casque. Si cette précaution n'est pas prise, des objets peuvent être projetés dans les yeux et causer des lésions graves.

AVERTISSEMENT :

Utiliser exclusivement des pièces d'origine pour les réparations. L'usage de toute autre pièce pourrait créer une situation dangereuse ou endommager l'produit.

AVIS :

Inspecter périodiquement au complet le produit afin de s'assurer qu'aucune pièce (vis, écrous, boulons, chapeaux, etc.) n'est endommagée, manquante ou desserrée. Serrer solidement toutes les pièces de fixation et les chapeaux et ne pas utiliser le produit tant que toutes les pièces manquantes ou endommagées n'ont pas été remplacées. Veuillez communiquer avec le service à la clientèle ou un centre de réparations autorisés pour obtenir de l'aide.

ENTRETIEN GÉNÉRAL

Éviter d'utiliser des solvants pour le nettoyage des pièces en plastique. La plupart des matières plastiques peuvent être endommagées par divers types de solvants du commerce. Utiliser un chiffon propre pour éliminer la saleté, la poussière, l'huile, la graisse, etc.

AVERTISSEMENT :

Ne jamais laisser de liquides tels que le fluide de freins, l'essence, les produits à base de pétrole, les huiles pénétrantes, etc., entrer en contact avec les pièces en plastique. Les produits chimiques peuvent endommager, affaiblir ou détruire le plastique, ce qui peut entraîner des blessures graves.

COMBINAISONS DE GUIDE ET CHAÎNE RECOMMANDÉES DE REMPLACEMENT

N° de référence de barra - 254 mm (10 po)	N° de référence de la chaîne
311278001	693814001

REEMPLACEMENT DU GUIDE ET DE LA CHAÎNE

Voir les figures 24 à 28.

AVERTISSEMENT :

Retirer le bloc-pile et s'assurer que la chaîne s'est immobilisée avant d'entreprendre tout travail sur la scie. Ne pas débrancher l'outil peut causer un démarrage accidentel, entraînant des blessures graves.

AVERTISSEMENT :

Pour éviter des blessures graves, lire et veiller à bien comprendre les instructions de sécurité contenues dans cette section.

AVERTISSEMENT :

Ne jamais toucher ou régler la chaîne lorsque le moteur tourne. La chaîne de la scie est extrêmement tranchante. Toujours porter des gants lors de son entretien pour éviter des lacérations profondes.

ENTRETIEN

⚠ ATTENTION :

Toujours porter des gants lors de la manipulation du guide et de la chaîne qui sont tranchants et peuvent présenter des bavures.

- Retirer le bloc-piles avant d'entreprendre tout travail sur la scie.
- Sortir la clé hexagonale de son compartiment et l'utiliser pour retirer la vis et la rondelle du carter de chaîne et retirer le carter.
- Retirer le guide et la barre de leur support.
- Retirer la chaîne usée du guide.
- Former une boucle avec la nouvelle chaîne et éliminer les entortillements. Les gouges doivent être orientées dans le sens de rotation de la chaîne. Si elles sont orientées dans le sens contraire, retourner la boucle.
- Engager les maillons d'entraînement de la chaîne dans la rainure du guide. Positionner la chaîne de façon à obtenir une boucle à l'arrière du guide. Maintenir la chaîne en place sur le guide et engager la boucle sur le pignon. Ajuster le guide au ras de la surface de montage, de manière à ce que ses goujons s'engagent dans la fente longue du guide.

⚠ AVERTISSEMENT :

Au moment d'engager le guide-chaîne sur ses goujons, veiller à ce que l'axe de tension de la chaîne soit insérée dans son trou de tension de chaîne. Le non-respect de cette directive peut amener la chaîne à se relâcher, ce qui peut entraîner des blessures graves.

- Remettre le carter de la chaîne en place et l'assujettir avec la vis et la rondelle. Serrer la vis de montage du carter à la main seulement. Le mouvement du guide est nécessaire pour le réglage de la tension.
- Éliminer complètement le mou de la chaîne en tournant la vis de réglage de tension de la chaîne vers la droite jusqu'à ce que la chaîne soit bien ajustée sur le guide, les maillons d'entraînement étant engagés dans la rainure du guide.

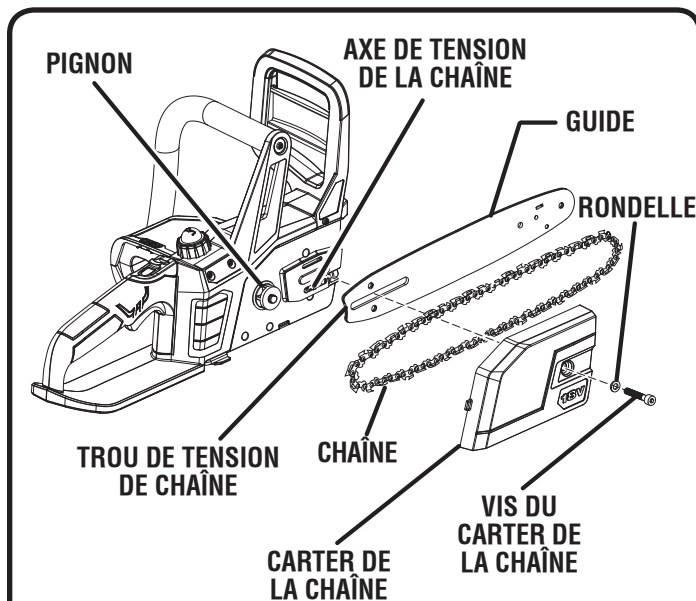


Fig. 24

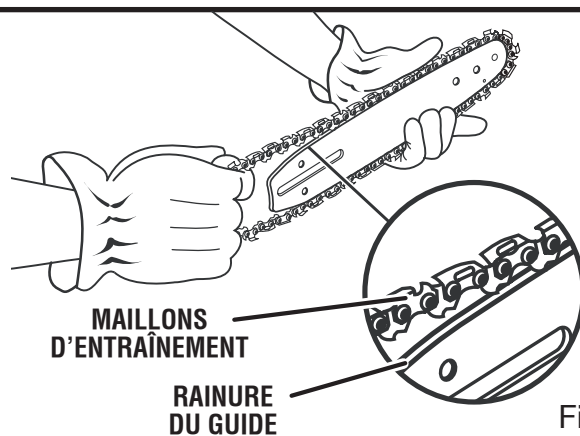


Fig. 25

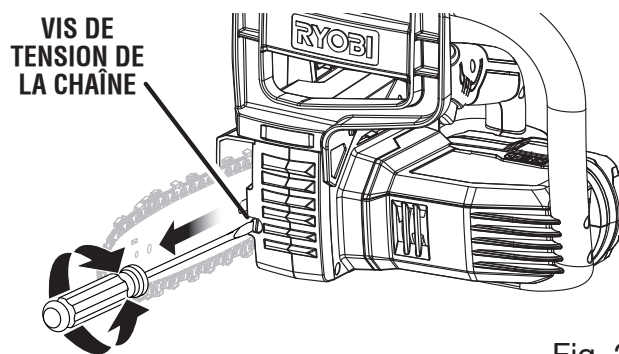


Fig. 26

- Relever l'extrémité du guide pour vérifier le mou. Lâcher l'extrémité du guide et tourner la vis de tension de la chaîne de 1/2 tour vers la droite. Répéter l'opération jusqu'à ce que le mou soit complètement éliminé.
- Maintenir l'extrémité du guide et serrer fermement ses écrous de montage.

ENTRETIEN

- La chaîne est correctement tendue lorsqu'elle ne présente pas de mou au-dessous du guide et qu'elle est bien serrée mais peut cependant être tournée à la main sans se gripper.

NOTE : Si la chaîne est trop tendue, elle ne peut pas tourner. Desserrer légèrement la vis du guide et tourner la vis de tension de 1/4 de tour vers la gauche. Relever l'extrémité du guide et resserrer fermement la vis du carter. Vérifier que la chaîne peut tourner sans se gripper.

- Remettre la clé hexagonale dans son logement.

RÉGLAGE DE LA TENSION DE LA CHAÎNE

Voir les figures 29 et 30.

⚠ AVERTISSEMENT :

Ne jamais toucher ou régler la chaîne lorsque le moteur tourne. La chaîne est extrêmement tranchante. Toujours porter des gants lors de l'entretien de la chaîne.

- Couper le moteur avant de régler la tension de la chaîne. S'assurer que la vis du guide n'est serrée qu'à la main et tourner la vis de tension vers la droite pour tendre la chaîne. Voir **Remplacement du guide et de la chaîne** plus haut dans ce manuel, pour des informations plus détaillées.

- Une chaîne froide est correctement tendue lorsqu'elle ne présente pas de mou au-dessous du guide et qu'elle est bien serrée mais peut cependant être tournée à la main sans se gripper.

- La chaîne doit être retendue chaque fois que les plats des maillons d'entraînement pendent au-dessous de la rainure du guide.

- Pendant l'utilisation normale de la scie, la température de la chaîne augmente. Les maillons d'entraînement d'une chaîne chaude correctement tendue pendent d'environ 1,25 mm (0,050 po) hors de la rainure du guide.

NOTE : Les chaînes neuves ont tendance à s'étirer. Il convient donc de vérifier leur tension fréquemment et de la corriger selon le besoin.

RELEVER
L'EXTRÉMITÉ
DU GUIDE POUR
VÉRIFIER LE MOU

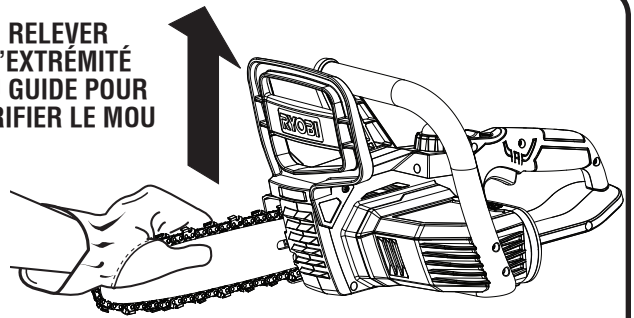


Fig. 27

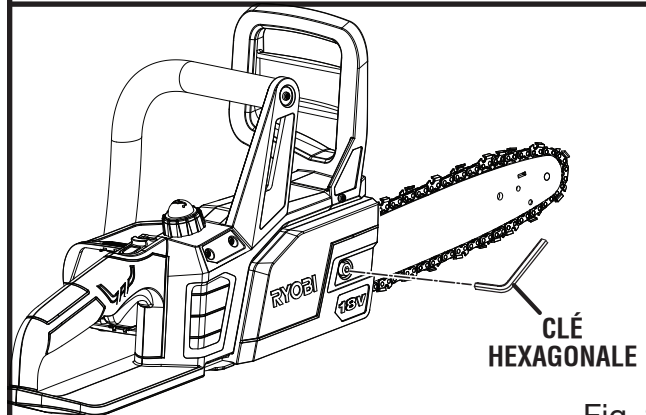
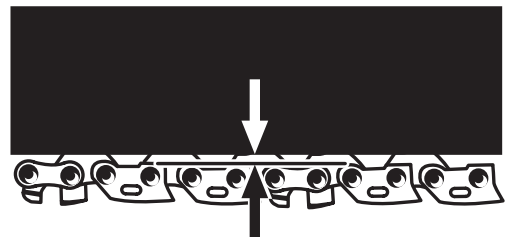


Fig. 28



ENVIRON 1,25 mm (0,050 po)

Fig. 29

MÉPLATS



Fig. 30

AVIS :

Une chaîne réglée à chaud peut présenter une tension excessive une fois refroidie. Vérifier la « tension à froid » avant l'utilisation suivante.

ENTRETIEN DE LA CHAÎNE

Voir les figures 31 et 32.

AVERTISSEMENT :

Retirer le bloc-pile et s'assurer que la chaîne s'est immobilisée avant d'entreprendre tout travail sur la scie.

Utiliser exclusivement des chaînes à rebond réduit sur cette scie. Correctement entretenue, cette chaîne à coupe rapide réduira les risques de rebond.

Pour couper rapidement et nettement, la chaîne doit être correctement entretenue. La chaîne doit être affûtée lorsque les copeaux de bois sont petits et poudreux, lorsqu'il est nécessaire de forcer sur la scie pour couper ou lorsque la chaîne ne coupe que d'un côté. Lors de l'entretien de la chaîne, tenir compte des points suivants :

- Un angle d'affûtage incorrect de la plaque latérale peut accroître les risques de rebond puissant.
- Jeu du limiteur de profondeur
- Un réglage trop profond accroît le risque de rebond.
- Un réglage pas assez profond réduit la capacité de coupe.
- Si les dents de la chaîne ont heurté des objets durs tels que des clous ou des pierres, ou ont été abrasées par du sable ou de la boue se trouvant sur le bois, la faire affûter chez un concessionnaire réparateur.

NOTE : Lors du remplacement de la chaîne, s'assurer que le pignon d'entraînement n'est ni usé, ni endommagé. En cas de signes d'usure ou de dommages aux endroits indiqués faire remplacer le pignon dans un centre de réparations Ryobi.

COMMENT AFFÛTER LES DENTS

Voir les figures 33 et 34.

Veiller à limer toutes les dents aux angles spécifiés et à la même longueur, car une coupe rapide ne peut être obtenue qu'avec des dents uniformes.

- Porter des gants protecteurs. Tendre la chaîne correctement avant de l'affûter. Voir la section **Tension de la chaîne** plus haut dans ce manuel. Tout le limage doit être effectué au point central du guide.
- Utiliser une lime ronde de 4,5 mm (5/32 po), et un porte-lime.
- Garder la lime de niveau avec la plaque supérieure de la dent. Ne pas incliner la lime ou utiliser un mouvement de bascule.

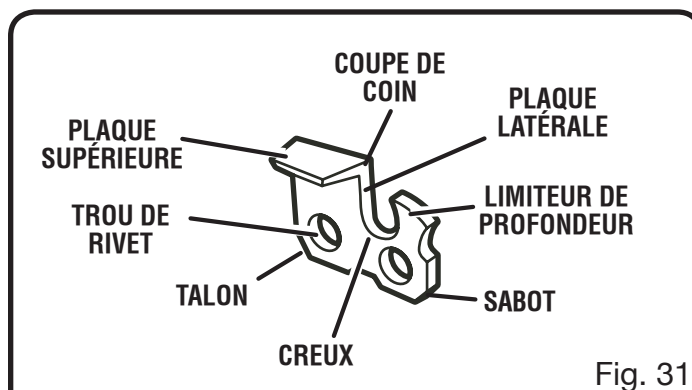


Fig. 31

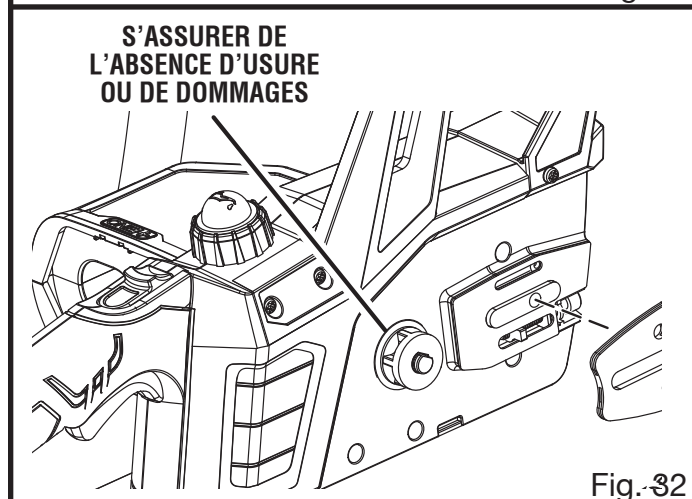


Fig. 32

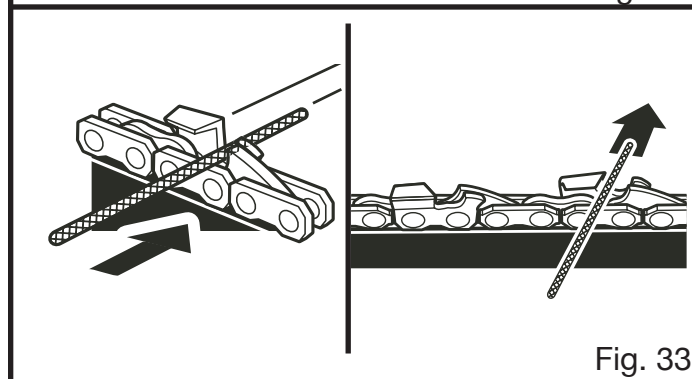


Fig. 33

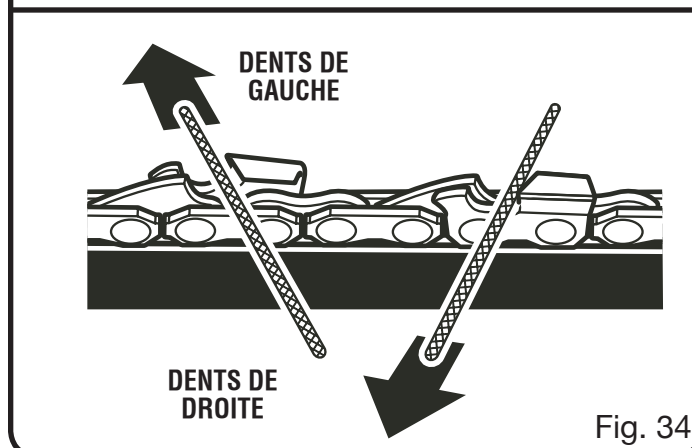


Fig. 34

ENTRETIEN

- Exercer une pression légère mais ferme et limer en direction du coin avant de la dent.
- Soulever la lime du métal à chaque retour.
- Effectuer quelques passes fermes sur chaque dent. Limer toutes les gouges de gauche dans un sens. Ensuite, passer à l'autre côté et limer toutes les gouges de droite dans l'autre sens. De temps à autre, éliminer la limaille de la lime au moyen d'une brosse métallique.

⚠ AVERTISSEMENT :

Un affûtage incorrect de la chaîne accroît le risque de rebond.

⚠ AVERTISSEMENT :

L'utilisation d'une chaîne endommagée peut causer de blessures graves.

⚠ AVERTISSEMENT :

La chaîne de la scie est extrêmement tranchante. Toujours porter des gants lors de son entretien pour éviter des blessures graves.

ANGLE D'AFFÛTAGE DE LA PLAQUE SUPÉRIEURE

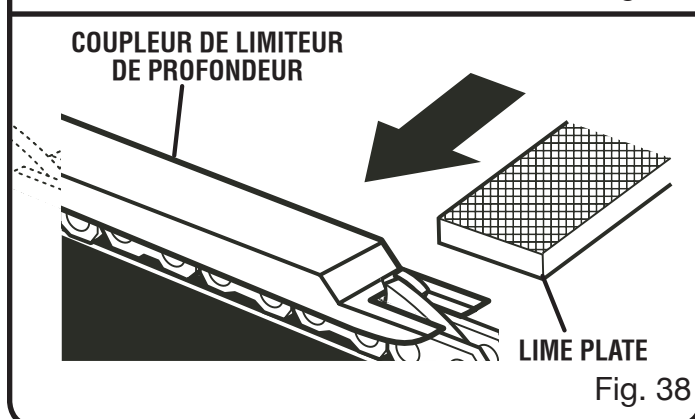
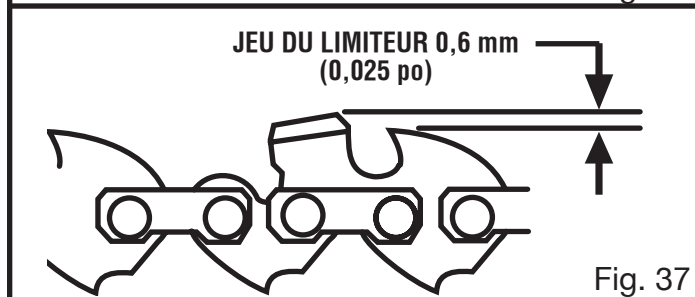
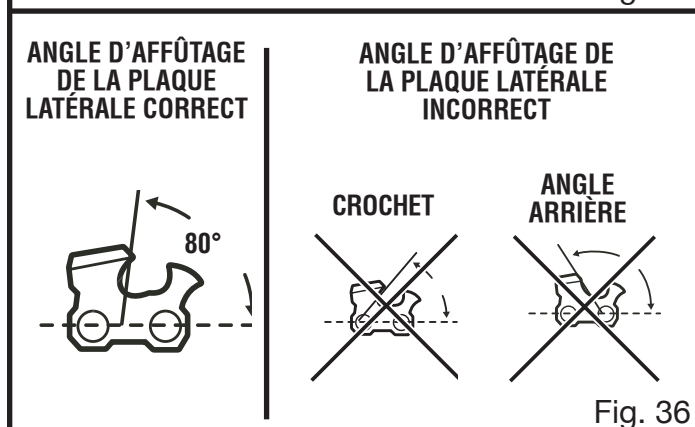
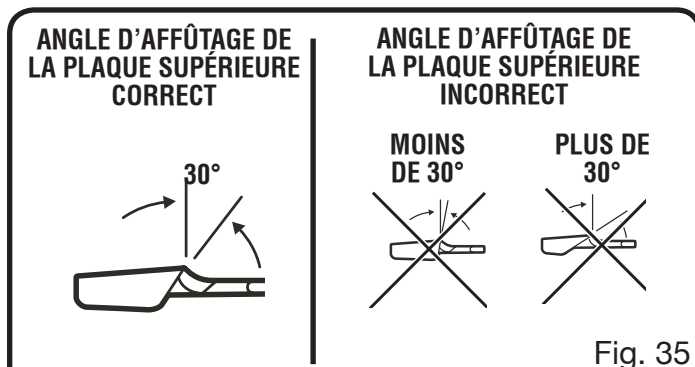
Voir la figure 35.

- CORRECT 30° - Les porte-limes sont dotés de repères permettant d'aligner la lime correctement, de façon à obtenir un angle de plaque supérieure satisfaisant.
- MOINS DE 30° - Pour les coupes transversales.
- PLUS DE 30° - Tranchant aminci, s'émousse rapidement.

ANGLE DE PLAQUE LATÉRALE

Voir la figure 36.

- CORRECT - 80° - Obtenu automatiquement si une lime de taille appropriée est placée dans le porte-lime.
- CROCHET - « Accroche » le bois et s'émousse rapidement. Accroît le risque de **REBOND**.
Résulte de l'emploi d'une lime de trop petit diamètre ou d'une lime tenue trop bas.
- ANGLE ARRIÈRE - Nécessite une pression d'attaque excessive, causant l'usure prématurée du guide et de la chaîne.
Résulte de l'emploi d'une lime de trop grand diamètre ou d'une lime tenue trop haut.



DÉGAGEMENT DE JAUGE DE PROFONDEUR

Voir les figures 37 à 39.

- Le jeu du limiteur de profondeur doit être maintenu à 0,6 mm (0,025 po). Utiliser un outil de réglage de jauge de profondeur pour vérifier les dégagements du limiteur de profondeur.

ENTRETIEN

- Vérifier le jeu du limiteur de profondeur lors de chaque affûtage de la chaîne.

Utiliser une lime plate et un coupleur pour limer tous les limiteurs de profondeur uniformément. Les coupleurs de limiteur de profondeur sont disponibles en tailles 0,5 à 0,9 mm (0,020 à 0,035 po). Utiliser un calibre de jauge de profondeur de 0,6 mm (0,025 po). Après avoir abaissé chaque limiteur de profondeur, lui rendre sa forme d'origine en arrondissant l'avant. Veiller à ne pas endommager les maillons d'entraînement adjacents avec le bord de la lime.

Les limiteurs de profondeur doivent être ajustés avec la lime plate, dans le sens dans lequel les dents adjacentes ont été affûtées avec la lime ronde. Veiller à ne pas toucher la face de la gouge avec la lime plate lors de l'ajustement des limiteurs de profondeur.

ENTRETIEN DU GUIDE

Voir la figure 40.

ATTENTION :

S'assurer que la chaîne s'est immobilisée et le bloc-pile a été retiré avant d'entreprendre tout travail sur la scie.

Un entretien adéquat maximisera la durée de vie utile du guide.

Chaque journée d'utilisation :

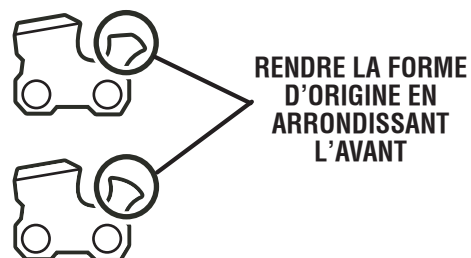
Nettoyez et inspectez le guide en vue d'usure ou de dommage. Les amincissements et ébarbures sur les rails du guide font partie de l'usure normale, mais ces défauts doivent être limés dès qu'ils apparaissent.

Chaque semaine d'utilisation :

- Inverser le guide sur la chaîne, afin de répartir l'usure.
- Lubrifier la douille à l'extrémité du guide en insérant une segingue dans le trou de lubrification.
- Retourner le guide et s'assurer que les trous de lubrification et la rainure de chaîne sont propres.

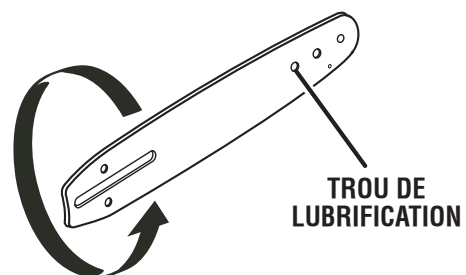
Un guide présentant l'un ou plusieurs des défauts ci-dessous doit être remplacé :

- Usure de l'intérieur des rails permettant à la chaîne de se coucher sur le côté



RENDE LA FORME
D'ORIGINE EN
ARRONDISSANT
L'AVANT

Fig. 39



TROU DE
LUBRIFICATION

Fig. 40

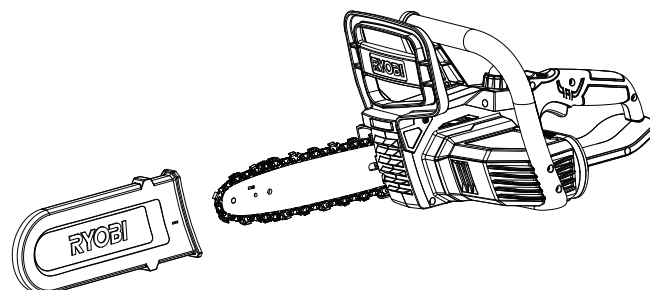


Fig. 41

- Guide tordu
- Rails fêlés ou brisés
- Rails écartés

TRANSPORT ET REMISAGE

Voir la figure 41.

- Ne jamais remiser ou transporter la scie lorsque le moteur tourne. La chaîne doit toujours être immobilisée avant de remiser ou transporter la scie.
- Toujours placer le fourreau sur le guide lors du transport ou du remisage de la scie. Veiller à ne pas se couper sur les dents de la chaîne.
- Nettoyer soigneusement la scie à chaîne avant de la remiser. Le remiser dans un endroit bien aéré, verrouillé et/ou inaccessible aux enfants.
- La tenir à l'écart de produits corrosifs, tels que les produits chimiques de jardinage et le sel de dégivrage.

DÉPANNAGE

PROBLÈME	CAUSE	SOLUTION
Le guide et la chaîne chauffent et fument.	<ol style="list-style-type: none">1. Regarder si la chaîne est trop tendue.2. Réservoir d'huile vide.	<ol style="list-style-type: none">1. Tendre la chaîne. Voir Tension de la chaîne plus haut dans ce manuel.2. Vérifier le niveau d'huile du réservoir.
Le moteur tourne, mais la chaîne ne se met pas en rotation.	<ol style="list-style-type: none">1. Tension de la chaîne excessive.2. Vérifier l'ensemble guide et chaîne.3. S'assurer que l'ensemble guide et chaîne n'est pas endommagé.	<ol style="list-style-type: none">1. Retendre la chaîne selon les instructions du chapitre Tension de la chaîne, plus haut dans ce manuel.2. Voir Assemblage du guide et de la chaîne plus haut dans ce manuel.3. S'assurer que l'ensemble guide et chaîne n'est pas endommagé.



NOUS APPELER D'ABORD

Pour toute question concernant l'utilisation ou l'entretien utiliser ce produit, appeler le service d'assistance téléphonique Ryobi®!

Le taille-bordures à été entièrement testé avant expédition pour assurer la complète satisfaction de l'utilisateur.

GARANTIE

ÉNONCÉ DE LA GARANTIE LIMITÉE

Techtronic Industries North America, Inc., garantit à l'acheteur original que ce produit RYOBI® est exempt de tous vices de matériaux ou de fabrication et s'engage à réparer ou remplacer gratuitement, à son choix, tout produit s'avérant défectueux au cours des périodes indiquées ci-dessous, à compter de la date d'achat.

- Trois ans sur les produits utilisés par des particuliers ;
- 90 jours sur les produits utilisés à toutes autres fins, telles que les travaux commerciaux et la location.

Cette garantie n'est offerte qu'à l'acheteur original et entre en vigueur à la date de l'achat original.

Toute pièce de ce produit jugée, après évaluation raisonnable par Techtronic Industries North America, Inc., comme présentant des vices de matériaux ou de fabrication, sera réparée ou remplacée, sans facturation pour pièces ou main d'oeuvre par un centre de réparations agréé pour produits d'extérieur de marque RYOBI® (centre de réparations Ryobi agréé).

Le produit, y compris toutes les pièces défectueuses devront être retournés à un centre de réparations Ryobi agréé, avant expiration de la période de garantie. Les frais d'expédition au centre de réparations pour les travaux sous garantie et de retour au propriétaire du produit seront assumés par le propriétaire. En ce qui concerne les réclamations en garantie, la responsabilité Techtronic Industries North America, Inc., se limitera à la réparation ou au remplacement des produits défectueux et aucune revendication de rupture de garantie ne pourra causer l'annulation ou la résiliation du contrat de vente d'un produit d'extérieur RYOBI® quel qu'il soit. Une preuve d'achat sera exigée par le centre de réparation, afin de valider toute réclamation au titre de la garantie. Toutes les réparations sous garantie devront être effectuées par un centre de réparations agréé.

La garantie sur tout produit d'extérieur RYOBI® utilisé pour la location, des travaux commerciaux ou tout autre usage lucratif, sera limitée à quatre-vingt-dix (90) jours, à compter de la date d'achat au détail original.

Cette garantie ne couvre pas les produits ayant fait l'objet d'un usage abusif ou négligent, d'un manque d'entretien, ayant été impliqués dans un accident ou employé de façon contraire aux instructions du manuel d'utilisation. Cette garantie ne couvre ni les dommages aux produits résultant d'un manque d'entretien, ni les produits qui ont été altérés ou modifiés. La garantie exclut les réparations rendues nécessaires par l'usure normale ou l'utilisation de pièces et accessoires incompatibles avec le produit d'extérieur RYOBI® ou nuisibles à son bon fonctionnement, ses performances ou sa durabilité. En outre, cette garanti exclut :

A. Les réglages – Bougies, carburateur, réglages du carburateur, allumage, filtres

B. Les articles consommables – Boutons d'avance par choc, bobines externes, lignes de coupe, bobines internes, poulies et cordons de lanceur, courroies d'entraînement, dents, rondelles en feutre, axes d'attelage, lames de paillage, ventilateur de soufflante, tubes de soufflage et d'aspiration, sacs à débris, guides, chaînes de scie

Techtronic Industries North America, Inc., se réserve le droit d'apporter des modifications ou améliorations à tout produit extérieur RYOBI®, sans obligation de modifier les produits fabriqués antérieurement.

LA DURÉE DE TOUTES LES GARANTIES IMPLICITES NE SAURAIT EN AUCUN CAS EXCÉDER LA PÉRIODE DE GARANTIE DÉCLARÉE. PAR CONSÉQUENT, TOUTES LES GARANTIES IMPLICITES, Y COMPRIS LES GARANTIES DE VALEUR MARCHANDE OU D'ADÉQUATION À UN USAGE PARTICULIER OU AUTRES SERONT INVALIDÉES À L'EXPIRATION DE LA PÉRIODE DE GARANTIE APPROPRIÉE DE TROIS ANS OU QUATRE-VINGT-DIX JOURS. LES OBLIGATIONS DE TECHTRONIC INDUSTRIES NORTH AMERICA, INC., DANS LE CADRE DE CETTE GARANTIE SE LIMITENT EXCLUSIVEMENT À LA RÉPARATION OU AU REMPLACEMENT DES PIÈCES DÉFECTUEUSES ET TECHTRONIC INDUSTRIES NORTH AMERICA, INC. N'ASSUME OU N'AUTORISE QUICONQUE À ASSUMER QUELQUE AUTRE OBLIGATION QUE CE SOIT. CERTAINS ÉTATS ET PROVINCES NE PERMETTANT PAS DE LIMITATION DE DURÉE DES GARANTIES IMPLICITES, LES RESTRICTIONS CI-DESSOUS PEUVENT NE PAS ÊTRE APPLICABLES. TECHTRONIC INDUSTRIES NORTH AMERICA, INC., DÉCLINE TOUTE RESPONSABILITÉ EN CE QUI CONCERNE LES DOMMAGES DIRECTS, INDIRECTS OU AUTRES, Y COMPRIS, MAIS SANS S'Y LIMITER, LES FRAIS DE RETOUR DE PRODUITS À UN CENTRE DE RÉPARATION RYOBI AGRÉÉ ET DE RENVOI AU PROPRIÉTAIRE, DE DÉPLACEMENT D'UN TECHNICIEN, DE TÉLÉPHONE OU TÉLÉGRAMME, DE LOCATION D'UN PRODUIT SIMILAIRE PENDANT LA DURÉE DES RÉPARATIONS SOUS GARANTIE, DE DÉPLACEMENT, DE PERTES OU DOMMAGES À DES BIENS PERSONNELS, DE MANQUE À GAGNER, DE PERTE D'USAGE DU PRODUIT, DE PERTE DE TEMPS OU DE DÉRANGEMENT. CERTAINS ÉTATS ET PROVINCES NE PERMETTANT L'EXCLUSION OU LA LIMITATION DES DOMMAGES DIRECTS OU INDIRECTS, LES RESTRICTIONS CI-DESSOUS PEUVENT NE PAS ÊTRE APPLICABLES.

Cette garantie donne au consommateur des droits spécifiques, et celui-ci peut bénéficier d'autres droits, qui varient selon les états ou provinces.

Cette garantie couvre tous les produits d'extérieur RYOBI® fabriqués par Techtronic Industries North America, Inc., vendus aux États-Unis et au Canada.

Pour obtenir l'adresse du centre de réparations Ryobi agréé le plus proche, appeler le 1-800-860-4050.

ADVERTENCIAS DE SEGURIDAD PARA HERRAMIENTAS ELÉCTRICAS



ADVERTENCIA

Lea todas las advertencias de seguridad y las instrucciones. La inobservancia de las advertencias e instrucciones puede causar descargas eléctricas, incendios o lesiones graves.

Guarde todas las advertencias e instrucciones para consultarlas en el futuro. El término “herramienta eléctrica” en las advertencias se refiere a las herramientas eléctricas que funcionan con corriente (con cordón) o las que funcionan con batería (inalámbricas).

ÁREA DE TRABAJO

- **Mantenga limpia y bien iluminada el área de trabajo.** Un área de trabajo mal despejada o mal iluminada propicia accidentes.
- **No utilice herramientas motorizadas en atmósferas explosivas, como las existentes alrededor de líquidos, gases y polvos inflamables.** Las herramientas eléctricas generan chispas que pueden encender el polvo y los vapores inflamables.
- **Mantenga alejados a los niños y circunstantes al maniobrar una herramienta eléctrica.** Toda distracción puede causar la pérdida del control de la herramienta.

SEGURIDAD ELÉCTRICA

- **Las clavijas de las herramientas eléctricas deben corresponder a las tomas de corriente donde se conectan. Nunca modifique la clavija de ninguna forma. No utilice ninguna clavija adaptadora con herramientas eléctricas dotadas de contacto a tierra.** Conectando las clavijas originales en las tomas de corriente donde corresponden se disminuye el riesgo de una descarga eléctrica.
- **Evite el contacto del cuerpo con las superficies de objetos conectados a tierra, como las tuberías, radiadores, estufas y refrigeradores.** Existe un mayor riesgo de descargas eléctricas si el cuerpo está haciendo tierra.
- **No esponga las herramientas eléctricas a la lluvia ni a condiciones de humedad.** La introducción de agua en una herramienta eléctrica aumenta el riesgo de descargas eléctricas.
- **No maltrate el cordón eléctrico. Nunca utilice el cordón para trasladar, desconectar o tirar de la herramienta eléctrica. Mantenga el cordón lejos del calor, aceite, bordes afilados y piezas móviles.**

Los cordones eléctricos dañados o enredados aumentan el riesgo de descargas eléctricas.

- **Al utilizar una herramienta eléctrica a la intemperie, use un cordón de extensión apropiado para el exterior.** Usando un cordón adecuado para el exterior se disminuye el riesgo de descargas eléctricas.
- **Si debe operar una herramienta en lugares húmedos, use un suministro protegido por un interruptor de circuito con pérdida a tierra (GFCI).** El uso de un GFCI reduce el riesgo de descargas eléctricas.

SEGURIDAD PERSONAL

- **Permanezca alerta, preste atención a lo que esté haciendo y aplique el sentido común al utilizar herramientas eléctricas. No utilice la herramienta eléctrica si está cansado o se encuentra bajo los efectos de alguna droga, alcohol o medicamento.** Un momento de inatención al utilizar una herramienta eléctrica puede causar lesiones corporales serias.
- **Utilice protección el equipo otros. Siempre póngase protección ocular.** El uso de equipo protector como mascarilla para el polvo, calzado de seguridad, casco y protección para los oídos en las circunstancias donde corresponda disminuye el riesgo de lesiones.
- **Evite que la herramienta se active accidentalmente. Asegúrese de que el interruptor esté en la posición de apagado antes de conectar la herramienta a un suministro de corriente o de colocar un paquete de baterías.** Transportar herramientas eléctricas con el dedo en el interruptor o enchufar herramientas eléctricas que tienen el interruptor encendido puede ocasionar accidentes.
- **Retire toda llave o herramienta de ajuste antes de encender la herramienta eléctrica.** Toda llave o herramienta de ajuste dejada en una pieza giratoria de la herramienta eléctrica puede causar lesiones.
- **No estire el cuerpo para alcanzar mayor distancia. Mantenga una postura firme y buen equilibrio en todo momento.** De esta manera se logra un mejor control de la herramienta eléctrica en situaciones inesperadas.
- **Vístase adecuadamente. No vista ropas holgadas ni joyas. Mantenga el cabello, la ropa y los guantes alejados de las piezas móviles.**

ADVERTENCIAS DE SEGURIDAD PARA HERRAMIENTAS ELÉCTRICAS

Las ropas holgadas y las joyas, así como el cabello largo, pueden engancharse en las piezas móviles.

- **Si se suministran dispositivos para conectar mangueras de extracción y captación de polvo, asegúrese de que éstas estén bien conectadas y se usen correctamente.** El uso de la captación de polvo puede reducir los peligros relacionados con éste.

EMPLEO Y CUIDADO DE LA HERRAMIENTA ELÉCTRICA

- **No fuerce la herramienta eléctrica. Utilice la herramienta eléctrica adecuada para cada trabajo.** La herramienta eléctrica adecuada efectúa mejor y de manera más segura el trabajo, si además se maneja a la velocidad para la que está diseñada.
- **No utilice la herramienta si el interruptor no enciende o no apaga.** Cualquier herramienta eléctrica que no pueda controlarse con el interruptor es peligrosa y debe repararse.
- **Desconecte la clavija del suministro de corriente o retire el paquete de baterías de la herramienta eléctrica, según sea el caso, antes de efectuarle cualquier ajuste, cambiarle accesorios o guardarla.** Tales medidas preventivas de seguridad reducen el riesgo de poner en marcha accidentalmente la herramienta.
- **Guarde las herramientas eléctricas desocupadas fuera del alcance de los niños y no permita que las utilicen personas no familiarizadas con las mismas o con estas instrucciones.** Las herramientas eléctricas son peligrosas en manos de personas no capacitadas en el uso de las mismas.
- **Preste servicio a las herramientas eléctricas.** Revise para ver si hay desalineación o atoramiento de piezas móviles, ruptura de piezas o cualquier otra condición que pueda afectar el funcionamiento de la herramienta. Si está dañada la herramienta eléctrica, permita que la reparen antes de usarla. Numerosos accidentes son causados por herramientas eléctricas mal cuidadas.
- **Mantenga las herramientas de corte afiladas y limpias.** Las herramientas de corte bien cuidadas y con bordes bien afilados, tienen menos probabilidad de atascarse en la pieza de trabajo y son más fáciles de controlar.

- **Utilice la herramienta eléctrica, los accesorios y brocas, hojas y cuchillas de corte, ruedas de esmeril, etc. de conformidad con estas instrucciones, tomando en cuenta las condiciones de trabajo y la tarea por realizar.** Si se utiliza la herramienta eléctrica para operaciones diferentes de las indicadas podría originar una situación peligrosa.

EMPLEO Y CUIDADO DE LA HERRAMIENTA DE BATERÍAS

- **Sólo cargue el paquete de baterías con el cargador especificado por el fabricante.** Un cargador adecuado para un tipo paquete de baterías puede significar un riesgo de incendio si se emplea con un paquete de baterías diferente.
- **Utilice las herramientas eléctricas sólo con los paquetes de baterías específicamente indicados.** El empleo de paquetes de baterías diferentes puede presentar un riesgo de incendio.
- **Cuando no esté utilizándose el paquete de baterías, manténgalo lejos de otros objetos metálicos, como clips, monedas, llaves, clavos, tornillos o otros objetos metálicos, pequeños que puedan establecer conexión entre ambas terminales.** Establecer una conexión directa entre las dos terminales de las baterías puede causar quemaduras o incendios.
- **Si se maltratan las baterías, puede derramarse líquido de las mismas; evite todo contacto con éste. En caso de contacto, lávese con agua. Si el líquido llega a tocar los ojos, además busque atención médica.** El líquido de las baterías puede causar irritación y quemaduras.

SERVICIO

- **Permita que un técnico de reparación calificado preste servicio a la herramienta eléctrica, y sólo con piezas de repuesto idénticas.** De esta manera se mantiene la seguridad de la herramienta eléctrica.
- **Al dar servicio a una herramienta eléctrica, sólo utilice piezas de repuesto idénticas. Siga las instrucciones señaladas en la sección Mantenimiento de este manual.** El empleo de piezas no autorizadas o el incumplimiento de las instrucciones de mantenimiento puede significar un riesgo de descarga eléctrica o de lesiones.

ADVERTENCIAS DE SEGURIDAD DE LA MOTOSIERRA

- **Mantenga todas las partes del cuerpo alejadas de la motosierra mientras esté en funcionamiento. Antes de encender la motosierra, asegúrese de que no esté en contacto con nada.** Un momento de distracción mientras usa la motosierra puede hacer que la motosierra agarre su ropa o una parte de su cuerpo.
 - **Siempre sostenga la motosierra con la mano derecha en el mango trasero y la mano izquierda en el mango delantero.** Sostener la motosierra con las manos invertidas aumenta el riesgo de sufrir lesiones personales y siempre debe evitarse.
 - **Sostenga la herramienta eléctrica únicamente por las partes aisladas, porque la misma podría morder cables ocultos.** Si la motosierra toca un cable vivo, las piezas metálicas de la herramienta podrían energizarse y producirle una descarga eléctrica al operador.
 - **Use gafas de seguridad y protección auditiva. También se recomienda usar equipo de protección para la cabeza, las manos, las piernas y los pies.** La indumentaria de protección adecuada reducirá las lesiones personales en caso de que salgan partículas despedidas o su cuerpo toque accidentalmente la motosierra.
 - **No use la motosierra sobre un árbol.** Si usa la motosierra subido a un árbol, podría sufrir lesiones personales.
 - **Siempre mantenga un buen apoyo y utilice la motosierra únicamente sobre superficies fijas, firmes y niveladas.** Las superficies resbaladizas o inestables como las escaleras pueden hacerle perder el equilibrio o el control de la motosierra.
 - **Cuando corte una rama que esté sometida a tensión, esté atento al retorno.** Cuando se libera la tensión de las fibras de madera, la rama podría golpear al operador o lanzar la motosierra en forma descontrolada.
 - **Tenga extremo cuidado al cortar maleza o retoños.** El material delgado podría quedar atrapado en la motosierra y salir disparado hacia usted o hacerle perder el equilibrio.
 - **Transporte la motosierra apagada, lejos de su cuerpo y tomada del mango frontal.**
- Siempre que transporte o almacene la motosierra, coloque la cubierta de la barra guía.** Manipular la motosierra correctamente reduce la probabilidad de tocar accidentalmente la cadena en movimiento.
- **Siga las instrucciones para lubricar la herramienta, tensionar la cadena y cambiar los accesorios.** Si la cadena no está correctamente tensionada o lubricada, podría romperse o presentar un mayor riesgo de que ocurra un contragolpe.
 - **Mantenga los mangos secos, limpios y sin aceite ni grasa.** Los mangos con aceite o grasa son resbaladizos y pueden hacerle perder el control.
 - **Corte únicamente madera. No use la motosierra para usos distintos de los previstos. Por ejemplo: no use la motosierra para cortar plástico, mampostería ni materiales de construcción que no sean de madera.** El uso de la motosierra para fines distintos de los previstos podría dar lugar a una situación de riesgo.

CAUSAS Y PREVENCIÓN DEL CONTRAGOLPE

Puede ocurrir un contragolpe cuando la punta de la barra guía toca un objeto o cuando la madera se cierra y pellizca la cadena de la sierra en el punto de corte.

En algunos casos, el contacto de la pieza de trabajo con la punta de la barra guía puede causar una reacción súbita en dirección inversa, la cual lanza la barra guía hacia arriba y hacia atrás, en dirección al operador.

El pellizcamiento de la cadena de la sierra en la parte superior de la barra guía puede empujar la barra rápidamente hacia atrás, en dirección al operador.

Cualquiera de estas dos reacciones puede causar la pérdida del control de la sierra, lo cual a su vez puede producir lesiones personales serias. No dependa exclusivamente de los dispositivos de seguridad incorporados de la sierra. Como usuario de una motosierra, debe tomar varias medidas para evitar los accidentes y las lesiones en todos sus trabajos de corte.

ADVERTENCIAS DE SEGURIDAD DE LA MOTOSIERRA

El contragolpe es el resultado de un uso indebido de la herramienta o de procedimientos o condiciones de utilización incorrectos, y se puede evitar tomando las precauciones apropiadas que se presentan a continuación:

- **Mantenga la herramienta bien sujeta, con los pulgares y los dedos alrededor de los mangos de la motosierra; sostenga la herramienta con ambas manos y posicione su cuerpo y su brazo de una forma que le permita resistir la fuerza de un contragolpe.** El operador puede controlar las fuerzas del contragolpe si toma las precauciones adecuadas. No suelte la motosierra.
- **No se estire ni corte por encima de la altura del hombro.** Esto ayuda a evitar el contacto accidental con la punta y permite un mejor control de la motosierra ante situaciones inesperadas.
- **Use únicamente barras y cadenas de repuesto indicadas por el fabricante.** El uso de barras y cadenas de repuesto incorrectas podría hacer que la cadena se rompa o que se produzcan contragolpes.
- **Siga las instrucciones de afilado y mantenimiento de la cadena de la sierra que provee el fabricante.** Disminuir la altura del calibrador de profundidad puede aumentar la probabilidad de que ocurra un contragolpe.
- No comience a cortar sino hasta tener despejada el área de trabajo, bien firmes los pies y una trayectoria planeada de retirada de la caída del árbol. Las áreas de trabajo mal despejadas propician accidentes.
- Mantenga a TODOS los niños, circunstantes, visitantes y animales fuera del área de trabajo al arrancar la motosierra o al estar cortando con la misma. No permita que los visitantes se acerquen a la motosierra o al cordón de extensión.
- No utilice la motosierra en atmósferas explosivas, como las existentes alrededor de líquidos, gases y polvos inflamables. Las motosierras generan chispas que pueden encender el polvo y los vapores inflamables.
- Vístase de forma adecuada. - Póngase ropa ajustada. Siempre póngase pantalones largos gruesos, mangas largas, overoles, pantalones vaqueros o zahones (chaparreras) de material cortado resistente o que contengan partes incorporadas de tal material. Póngase calzado antideslizante. Póngase guantes antideslizantes para trabajo pesado con el fin de mejorar la sujeción de la unidad, y para protegerse las manos. No se ponga joyas, pantalones cortos o sandalias, ni ande descalzo. No se ponga ropa holgada, ya que puede ser atraída hacia adentro del motor o puede quedar atrapada en la cadena o en la maleza misma. Recójase el cabello de manera que le quede arriba del nivel de los hombros. Utilice protección para los ojos y para la cabeza.
- La ropa protectora pesada puede aumentar la fatiga del operador, lo cual puede originar un golpe de calor. En climas cálidos y húmedos, el trabajo pesado debe programarse para las primeras horas de la mañana o las últimas horas de la tarde, cuando las temperaturas son más bajas.
- Siempre utilice protección ocular con protección lateral con la marca de cumplimiento de la norma ANSI Z87.1, junto con protección oídos y la cabeza cuando utilizar este equipo.
- En todo momento esté consciente de lo que está haciendo al utilizar la motosierra. Aplique el sentido común. No utilice la motosierra si está cansado, enfermo, alterado o se encuentra bajo los efectos de alguna droga, alcohol o medicamento.
- No exponga la motosierra a la lluvia.
- No use la motosierra en lugares húmedos o mojados.
- Permanezca alerta y preste atención a lo que está haciendo. Actúe con sentido común al utilizar esta unidad.
- Mantenga todas las partes del cuerpo alejadas de la cadena de la sierra cuando esté funcionando la unidad.
- Nunca permita utilizar la motosierra a quien no haya recibido instrucciones adecuadas sobre la forma correcta de emplear la unidad. Esto se aplica tanto a las sierras alquiladas como a las propias.

ADVERTENCIAS DE SEGURIDAD DE LA MOTOSIERRA

- Antes de arrancar la unidad, asegúrese de que la cadena no esté tocando ningún objeto.
- Apague la motosierra antes de ponerla en reposo.
- Para evitar un arranque accidental; nunca traslade la unidad con el dedo en el gatillo del interruptor.
- Dé mantenimiento con cuidado a la unidad. Mantenga afilado el filo de corte y límpielo para lograr un desempeño óptimo de la unidad y para reducir el riesgo de lesiones. Siga las instrucciones para la lubricación y el cambio de accesorios.
- ¡No maneje la motosierra con una sola mano! Sujete firmemente los mangos de la motosierra, rodeándolos con los pulgares y los dedos restantes. Si se maneja con una sola mano la unidad, pueden resultar lesionados el operador, los ayudantes y demás personas presentes. La motosierra está hecha para ser manejada con las dos manos.
- Protege contra descargas eléctricas - Evite tocar con el cuerpo objetos conectados a tierra, como los tubos de metal y las cercas de alambre. Existe un mayor riesgo de descargas eléctricas si su cuerpo está en contacto con tierra.
- No utilice la motosierra si está dañada, mal ajustada o no está armada completamente y de manera que funcione de forma segura. La cadena debe aminorar la velocidad hasta detenerse completamente al soltarse el gatillo del interruptor. Si la cadena continúa desplazándose al soltarse el gatillo del interruptor, permita que presten servicio a la unidad en el establecimiento de servicio autorizado.
- Inspeccione para ver si hay piezas dañadas. Verifique la alineación de las partes móviles, que no haya atoramiento de partes móviles, que no haya piezas rotas, el montaje de las piezas y cualquier otra condición que pudiera afectar su funcionamiento. Cualquier protección o pieza que esté dañada debe ser reparada o reemplazada en un establecimiento de servicio autorizado, a menos que se indique otra cosa en este manual.
- Todas las tareas de servicio de la motosierra no señaladas en los apartados sobre funcionamiento y mantenimiento deben ser efectuados en el establecimiento de servicio autorizado.
- Siempre mantenga una postura correcta.
- No utilice la motosierra si el interruptor no enciende o no apaga. Lleve todo interruptor defectuoso a un centro de servicio autorizado para que lo reparen.
- No adapte la cabeza motriz de la sierra a ningún arco tipo sierra de mano, ni la use para accionar ningún accesorio o dispositivo no especificado para la sierra.
- Desconecte la motosierra del suministro de corriente cuando no la use, antes de darle servicio, al efectuarle ajustes y cambiarle aditamentos, como la cadena y la protección.
- No corte enredaderas ni maleza pequeña.
- No utilice ninguna motosierra subido en un árbol, en una escalera, tejado o en un andamio, o otro soporte inestable; es extremadamente peligroso.
NOTA: El tamaño del área de trabajo depende de la tarea, así como del tamaño del árbol o pieza de trabajo. Por ejemplo, para talar un árbol se requiere un área de trabajo más grande que para tronarlo.
- No fuerce la motosierra. La herramienta efectúa el trabajo mejor y de manera más segura si se maneja a la velocidad para la que está diseñada.
- Siempre utilice la herramienta adecuada a la tarea. La motosierra sólo debe emplearse para cortar madera. Nunca utilice la motosierra para cortar plástico, obras de albañilería ni materiales de construcción que no sean madera.
- Guarde la motosierra cuando no se está cargando o cuando no esté usándola. Debe guardarse la motosierra en un lugar seco y alto o cerrado con llave, lejos del alcance de los niños. Al guardar la motosierra coloque la funda en la barra y la cadena.
- Usar únicamente con la batería y el cargador indicados. Para utilice con baterías de iones de litio de 20 V. Consulte el suplemento 990000811 de correlación entre herramientas, artefactos, paquetes de baterías y cargadores.

ADVERTENCIAS DE SEGURIDAD DE LA MOTOSIERRA

- Las herramientas de baterías no necesitan conectarse a una toma de corriente; por lo tanto, siempre están en condiciones de funcionamiento. Esté consciente de los posibles peligros incluso si no está encendida la unidad.
- Retire el paquete de baterías de la motosierra cuando no se está cargando, y antes de limpiar, dar servicio, guardar, quitar material, cambiar accesorios (como la barra y la cadena) a la unidad, o cuando no la tenga en uso.
- Guarde estas instrucciones. Consúltelas con frecuencia y empléelas para instruir a otras personas que puedan utilizar esta producto. Si presta a alguien esta producto, facilítele también las instrucciones.

CONTRAGOLPE

Vea las figuras 1 a 3.

ADVERTENCIA:

El contragolpe ocurre cuando la cadena en movimiento hace contacto con un objeto en la parte superior de la punta de la barra, o cuando la madera se cierra y pellizca la cadena de la sierra en el punto de corte. El contacto de la parte superior de la punta de la barra con la madera puede causar que la cadena se clave en el material y se detenga instantáneamente. El resultado es una reacción súbita en dirección inversa, la cual lanza la barra guía hacia arriba y hacia atrás, en la dirección donde se encuentra el operador. Si la cadena de la sierra se pellizca en el corte, a lo largo de la parte superior de la barra guía, puede causarse un rápido empuje de dicha barra hacia atrás, en la dirección donde se encuentra el operador. Cualquiera de estas dos reacciones puede originar una pérdida de control, la cual a su vez podría ser causa de lesiones serias. No dependa exclusivamente de los dispositivos de seguridad incorporados en la sierra. Como usuario de una motosierra, debe tomar varias medidas para evitar accidentes y lesiones en todos sus trabajos de corte.

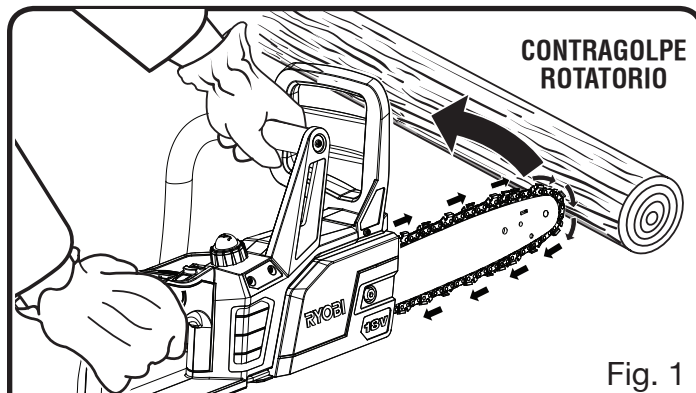


Fig. 1

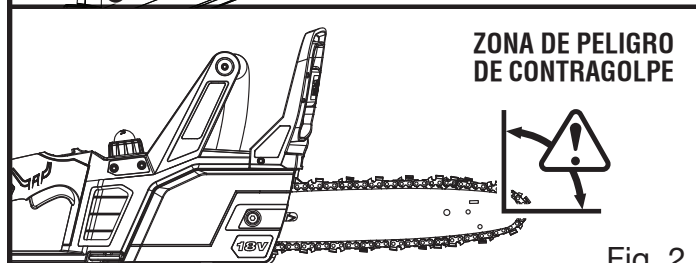


Fig. 2

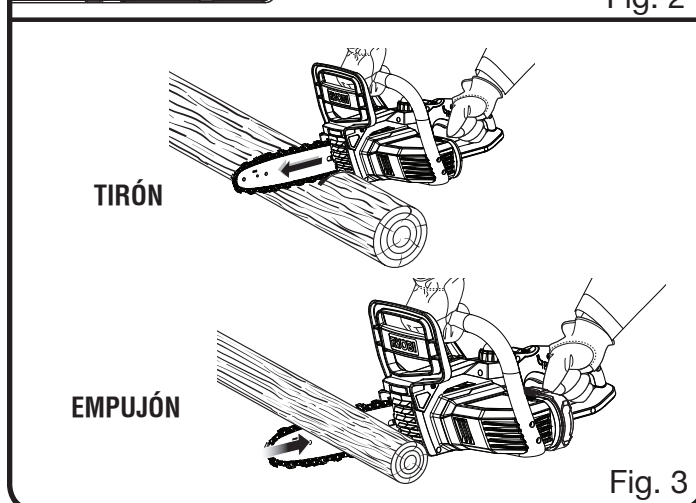


Fig. 3

- **Deben seguirse las siguientes medidas de precaución para reducir al mínimo el contragolpe:**

- Siempre sujete firmemente la sierra con ambas manos. Sujete la sierra firmemente con ambas manos cuando esté encendida. Coloque la mano derecha en el mango trasero y la izquierda en el mango delantero, rodeando ambos con los pulgares y los dedos restantes. Una sujeción firme con el brazo izquierdo rígido le ayuda a mantener el control de la sierra si ésta llega a dar un contragolpe.

ADVERTENCIAS DE SEGURIDAD DE LA MOTOSIERRA

- Asegúrese de que no haya obstrucciones en el área donde esté cortando. No permita que la punta de la barra guía entre en contacto con ningún tronco, rama, cerca, o cualquier otra obstrucción a la que le pueda pegar al estar operando la sierra.
- Siempre corte con la unidad funcionando a plena velocidad. Oprima completamente el gatillo del acelerador y mantenga una velocidad de corte estable.
- Utilice piezas de repuesto como la cadena de bajo contragolpe y barras guía especiales, los cuales reducen los riesgos relacionados con el contragolpe rotatorio. Sólo use las barras guía y las cadenas de contragolpe moderado de repuesto especificadas por el fabricante para su sierra en particular.
- Con un conocimiento básico del contragolpe de la sierra, puede reducir o incluso eliminar el elemento sorpresa. La sorpresa súbita contribuye a los accidentes.
- No estire el cuerpo para alcanzar mayor distancia. Mantenga una postura firme y buen equilibrio en todo momento.
- No trate de cortar objetos fuera de su alcance, ni arriba de la altura de los hombros. No permita que la punta de la barra guía entre en contacto con ningún tronco, rama, la tierra, o cualquier otra obstrucción al estar operando la sierra.
- Siga las instrucciones de afilado y mantenimiento correspondientes a la cadena de la sierra.
- Empujón y tirón - Esta fuerza de reacción es siempre opuesta a la dirección en que está moviéndose la cadena donde hace contacto con la madera. Así, el operador debe estar preparado para controlar el TIRÓN al cortar por el borde inferior de la barra guía, y el EMPUJÓN al cortar por el borde superior de dicha barra. *Vea la figura 3.*

EXPLICACIÓN DE LOS DISPOSITIVOS DE SEGURIDAD DE LA MOTOSIERRA

CADENA DE SIERRA DE CONTRAGOLPE MODERADO

Los dientes limpiadores (calibres de profundidad) situados delante de cada diente de corte pueden reducir al mínimo la fuerza de la reacción de contragolpe al evitar que los dientes de corte se introduzcan demasiado profundamente en la zona de contragolpe. Sólo use una cadena de repuesto que equivalga a la cadena original o que esté certificada como cadena de contragolpe moderado según la norma ANSI B175.1.

La cadena de contragolpe moderado es una cadena que satisface los requisitos relativos al nivel de contragolpe estipulados en la norma ANSI B175.1 (Norma Nacional Americana para Herramientas Motorizadas - Requisitos de Seguridad para Sierras de Cadena de Gasolina) al probarse en una muestra representativa de las sierras de cadena abajo del nivel 3.8 c.i.d. especificado en la norma ANSI B175.1.

A medida que las cadenas de sierra se afilan durante su vida de servicio, pierden algo de su capacidad de disminución del contragolpe y debe tenerse mayor precaución.




BARRAS GUÍA

En general, las barras guía con puntas de radio pequeño tienen una capacidad de disminución del contragolpe un poco menor.

Al efectuar un remplazo, asegúrese de pedir una de las barras indicadas para su sierra en particular en este manual del operador.

SÍMBOLOS

Las siguientes palabras de señalización y sus significados tienen el objeto de explicar los niveles de riesgo relacionados con este producto.







SÍMBOLO	SEÑAL	SIGNIFICADO
	PELIGRO:	Indica una situación peligrosa inminente, la cual, si no se evita, causará la muerte o lesiones serias.
	ADVERTENCIA:	Indica una situación peligrosa posible, la cual, si no se evita, podría causar la muerte o lesiones serias.
	PRECAUCIÓN:	Indica una situación peligrosa posible, la cual, si no se evita, podría causar lesiones menores o leves.
	AVISO:	(Sin el símbolo de alerta de seguridad) Indica información importante no relacionada con ningún peligro de lesiones, como una situación que puede ocasionar daños físicos.

Es posible que se empleen en este producto algunos de los siguientes símbolos. Le suplicamos estudiarlos y aprender su significado. Una correcta interpretación de estos símbolos le permitirá utilizar mejor y de manera más segura la producto.

SÍMBOLO	NOMBRE	DENOMINACIÓN / EXPLICACIÓN
	Alerta de seguridad	Indica un peligro posible de lesiones personales.
	Lea el manual del operador	Para reducir el riesgo de lesiones, el usuario debe leer y comprender el manual del operador antes de usar este producto.
	Póngase protección para los ojos, los oídos y la cabeza	Siempre póngase protección para los ojos con la marca de cumplimiento de la norma ANSI Z87.1, así como protección para los oídos y la cabeza cuando utilizar este equipo.
	Alerta de condiciones húmedas	Do not expose to rain or use in damp locations.
	Use las dos manos	Sujete y opere la sierra debidamente con ambas manos.
	Con una mano	No maneje la motosierra con una sola mano.

SÍMBOLOS

Es posible que se empleen en este producto algunos de los siguientes símbolos. Le suplicamos estudiarlos y aprender su significado. Una correcta interpretación de estos símbolos le permitirá utilizar mejor y de manera más segura la producto.

SÍMBOLO	NOMBRE	DENOMINACIÓN / EXPLICACIÓN
	Contragolpe	¡PELIGRO! ESTÉ ALERTA DE UN POSIBLE CONTRAGOLPE.
	Contacto de la punta de la barra con el material	Evite el contacto del material con la punta de la barra.
	Póngase guantes	Al manejar la motosierra póngase guantes protectores antideslizantes de uso pesado.
	Póngase calzado de seguridad	Cuando utilice este equipo póngase zapatos de seguridad antideslizantes.
	Evite las cables eléctricos/ Mantenga alejadas a las personas presentes	¡PELIGRO! ¡Riesgo de electrocución! No trabaje a menos de 15 m (50 pies) de cables eléctricos. Durante las operaciones de tala de árboles, mantenga a todos los circunstantes y animales a una distancia mínima de 15 metros (50 pies) o lo menos el doble de la altura de los árboles más altos presentes en el área de la tala.
	Símbolos de reciclado	Este producto contiene baterías de níquel-cadmio o iones de litio. Es posible que algunas leyes municipales, estatales o federales prohíban desechar las baterías de níquel-cadmio en la basura normal. Consulte a las autoridades reguladoras de desechos para obtener información en relación con las alternativas de reciclado y desecho disponibles.
V	Voltios	Voltaje
==	Corriente continua	Tipo o característica de corriente

GLOSARIO DE TÉRMINOS

Tronzado

Es el proceso de cortar transversalmente un árbol o tronco talado en tramos.

Cabeza motriz de la motosierra

Es la motosierra sin la cadena de aserrar ni la barra guía.

Rueda dentada de impulsión

Es la pieza dentada que impulsa la cadena de la sierra.

Talar

Es el proceso de cortar un árbol para derribarlo.

Corte trasero de tala

Es el corte final de la operación de tala de un árbol, el cual se efectúa en el lado opuesto al del corte de muescado.

Protector delantero de la mano

Es una barrera protectora estructural situada entre el mango delantero de una motosierra y la barra guía, normalmente localizada cerca de la posición de la mano en el mango delantero.

Mango delantero

Es el mango de soporte situado en la parte frontal de la motosierra, o en esa dirección. Este mango es para la mano izquierda.

Barra guía

Es una estructura sólida con un riel, la cual sirve para sostener y guiar la cadena de la sierra.

Contragolpe

Es el movimiento de la barra guía hacia atrás o hacia arriba, o ambos, el cual ocurre cuando la cadena de aserrar, cerca de la parte superior de la punta de la barra guía, toca cualquier objeto como un tronco o rama, o cuando la madera se cierra y pellizca la cadena en la abertura del corte.

Contragolpe por pellizco

Es el rápido empuje de la sierra hacia atrás, el cual puede ocurrir cuando la madera se cierra y pellizca la cadena en movimiento en el corte a lo largo de la parte superior de la barra guía.

Contragolpe rotatorio

Es el movimiento rápido de la sierra hacia arriba y hacia atrás, el cual puede ocurrir cuando la cadena en movimiento, cerca de la parte superior de la punta de la barra guía, toca un objeto como un tronco o una rama.

Botón de seguro del gatillo

Es un seguro movable que si no se acciona manualmente, impide una opresión involuntaria del interruptor.

Cadena de contragolpe moderado

Es una cadena que cumple con los requisitos relativos al nivel de contragolpe estipulados en la norma ANSI B175.1 al probarse en una muestra representativa de las sierras de cadena.

Posición normal de corte

Son aquellas posiciones adoptadas para efectuar los cortes de tronzado y de tala de árboles.

Corte de muescado

Es un corte en forma de muesca efectuado para dirigir la caída del árbol.

Mango trasero

Es el mango de soporte situado en la parte trasera de la motosierra, o en esa dirección. Es donde normalmente está alojado el acelerador. Este mango es para la mano derecha.

Barra guía de contragolpe reducido

Es una barra guía la cual se ha demostrado que reduce el contragolpe de manera notable.

Cadena de repuesto de la sierra

Es una cadena que cumple con los requisitos relativos al nivel de contragolpe estipulados en la norma ANSI B175.1 al probarse con ciertas sierras de cadena en particular. Es posible que no cumpla con los requisitos de desempeño de la norma ANSI al emplearse con otras sierras.

Cadena de aserrado

Es una cadena en forma de collar, con dientes de corte para cortar madera, la cual es impulsada por un motor y está soportada por la barra guía.

Pértiga

Es un árbol pequeño (un árbol joven) o rama que está doblado o atrapado bajo tensión. Puede saltar hacia atrás rápidamente al cortarse, causando así una situación peligrosa.

Gatillo del interruptor

Es un dispositivo que al accionarse abre o cierra el circuito de la corriente eléctrica del motor de la motosierra.

CARACTERÍSTICAS

ESPECIFICACIONES DEL PRODUCTO

Motor 18 voltios C.C.
 Longitud de la barra 254 mm (10 pulg.)

NOTA: Esta sierra fue diseñada para uso ligero ocasional, y tiene algunas limitaciones en cuanto a lo que puede cortar.

FAMILIARÍCESE CON EL MOTOSIERRA

Vea la figura 4.

Para usar este producto con la debida seguridad se debe comprender la información indicada en la herramienta

misma y en este manual, y se debe comprender también el trabajo que intenta realizar. Antes de usar este producto, familiarícese con todas las características de funcionamiento y normas de seguridad del mismo.

COMBINACIONES DE BARRA Y CADENA RECOMENDADAS DE REPUESTO

Núm. pieza de la barra de repuesto	Núm. pieza de la cadena de repuesto
311278001	693814001

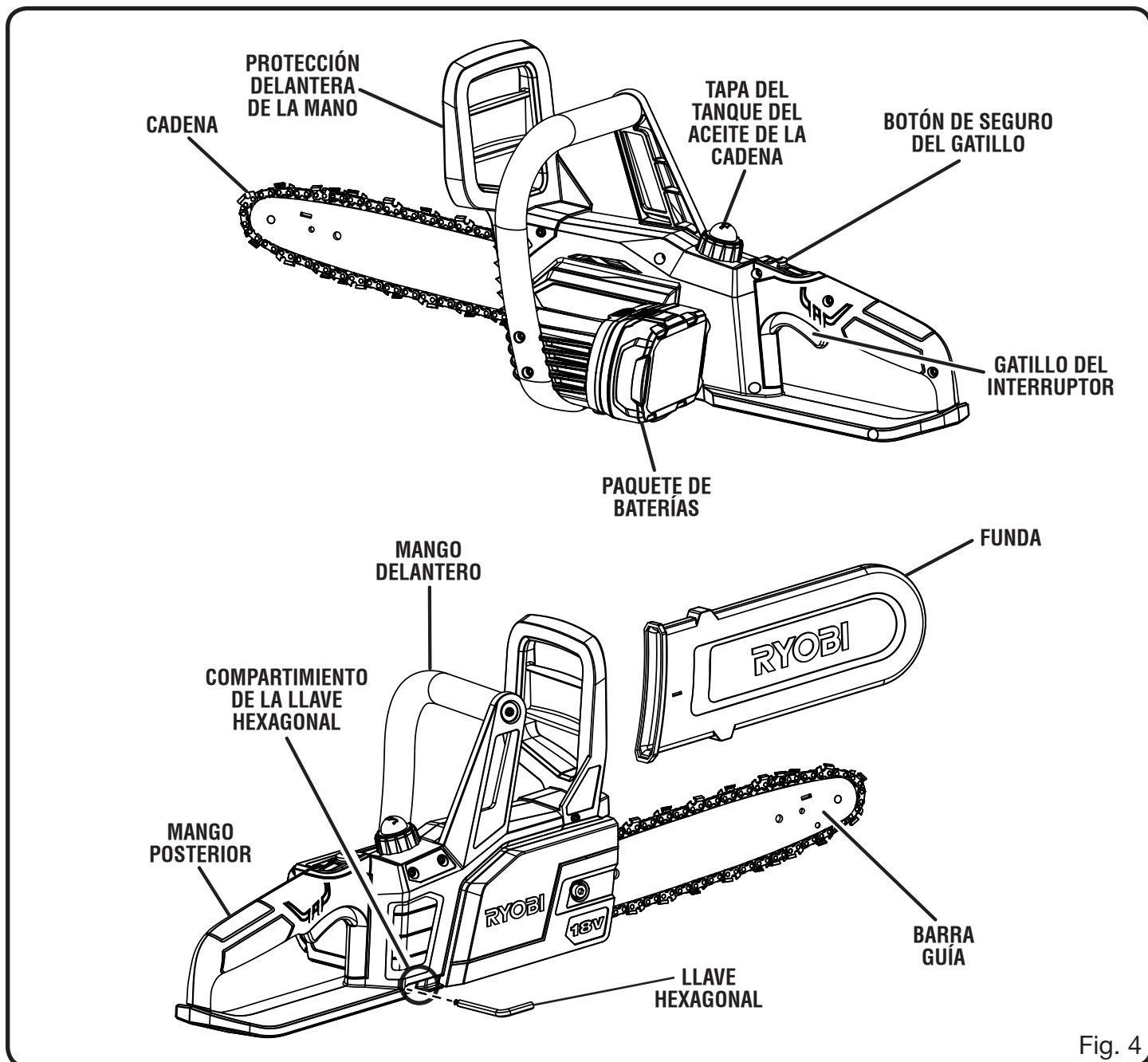


Fig. 4

ARMADO

DESEMPAQUETADO

Embarcamos este producto completamente armado.

- Extraiga cuidadosamente de la caja el producto y los accesorios. Asegúrese de que estén presentes todos los artículos enumerados en la lista de empaquetado.

ADVERTENCIA:

No utilice este producto si alguna pieza incluida en la lista de contenido ya está ensamblada al producto cuando lo desempaqueta. El fabricante no ensambla las piezas de esta lista en el producto. Éstas deben ser instaladas por el usuario. El uso de un producto que puede haber sido ensamblado de forma inadecuada podría causar lesiones personales graves.

- Inspeccione cuidadosamente el producto para asegurarse de que no haya sufrido ninguna rotura o daño durante el transporte.
- No deseche el material de empaquetado hasta que haya inspeccionado cuidadosamente el producto y la haya utilizado satisfactoriamente.
- Si hay piezas dañadas o faltantes, le suplicamos llamar al 1-800-860-4050, donde le brindaremos asistencia.

LISTA DE EMPAQUETADO

Motosierra con funda

Llave hexagonal

Manual del operador

ADVERTENCIA:

Si falta o está dañada alguna pieza, no utilice este producto sin haber reemplazado la pieza. Usar este producto con partes dañadas o faltantes puede causar lesiones serias al operador.

ADVERTENCIA:

No intente modificar este producto ni hacer accesorios no recomendados para la misma. Cualquier alteración o modificación constituye maltrato, el cual puede causar una condición peligrosa, y como consecuencia posibles lesiones corporales serias.

ADVERTENCIA:

Para evitar un arranque accidental que podría causar lesiones corporales graves, siempre desconecte el cable de la bujía del motor de la bujía misma al ensamblar las piezas.

FUNCIONAMIENTO

PELIGRO:

Nunca couper cerca de líneas de corriente, cordón eléctrico o de otras fuentes eléctricas. Si mermeladas de barra y cadena en alguna cordón del eléctrica o líneas, ¡NO TOQUE LA BARRA NI LA CADENA! PUEDE CARGARSE DE ELECTRICIDAD Y SER MUY PELIGROSA. Continúe sujetando las motosierra por el mango trasero, el cual está aislado, o déjela reposar lejos de usted, de alguna forma segura. Desconecte el servicio de corriente eléctrica conectado a la línea o cordón dañado antes de intentar liberar de éste(a) la hoja. Contacte con la barra, la cadena, otras partes conductivas de la motosierra, o viven cordón eléctrico o líneas eléctricas puede producir la muerte por electrocución, una descarga eléctrica o lesiones serias.

FUNCIONAMIENTO

⚠ ADVERTENCIA:

No permita que su familiarización con este producto lo vuelva descuidado. Tenga presente que un descuido de un instante es suficiente para causar una lesión grave.

⚠ ADVERTENCIA:

Siempre póngase protección para los ojos con la marca de cumplimiento de la norma ANSI Z87.1, así como protección para los oídos y la cabeza. Si no cumple esta advertencia, los objetos que salen despedidos pueden producirle lesiones serias en los ojos.

⚠ ADVERTENCIA:

No utilice ningún aditamento o accesorio no recomendado por el fabricante de este producto. El empleo de aditamentos o accesorios no recomendados podría causar lesiones serias.

⚠ ADVERTENCIA:

Nunca tale un árbol o corte un tronco o una rama cuyo diámetro sea mayor que la longitud de la barra. Únicamente profesionales debidamente capacitados deben realizar estos cortes. Realizar este tipo de cortes puede provocar accidentes y ocasionar graves lesiones personales.

AVISO:

Antes de cada uso, inspeccione todo el producto para detectar partes dañadas, faltantes o sueltas, como tornillos, tuercas, pernos, tapas, etc. Apriete firmemente todos los sujetadores y las tapas y no accione este producto hasta que todas las partes faltantes o dañadas sean reemplazadas. Llame al contacto con el servicio al cliente o con un centro de servicio autorizados para recibir asistencia.

APLICACIONES

Este producto puede emplearse para los fines siguientes:

- Desramado y poda de árboles
- Tala de árboles pequeños
- Tronzado del árbol talado en tramos más cortos

Este producto acepta baterías de iones de litio de 18 V y de níquel-cadmio de 18 V. El período de funcionamiento obtenible con cada carga depende del tipo de trabajo hecho.

Para ver las instrucciones de carga completas, consulte los manuales del operador del paquete de baterías Ryobi One+ y los modelos de cargador.

PARA DESMONTAR Y MONTAR EL PAQUETE DE BATERÍAS

Vea la figura 5.

⚠ ADVERTENCIA:

Retire siempre el paquete de baterías de la herramienta antes de instalar las piezas, realizar ajustes, limpiarla o cuando no la utilice. Retirar el paquete de baterías evitará que la unidad se accione accidentalmente y provoque lesiones graves.

NOTA: Para evitar lesiones corporales serias, siempre desmonte de la herramienta el paquete de baterías y mantenga manos vacías del botón del seguro al llevar herramienta.

Para conectar:

- Coloque el paquete de baterías en la motosierra. Alinee la costilla realizada del paquete de baterías con la ranura interior del receptáculo para baterías de la motosierra.
- Asegúrese de que los pestillos situados en ambos lados del paquete de baterías entren completamente en su lugar con un chasquido y de que el paquete quede bien fijo en la motosierra antes de empezar a utilizar la unidad.

Para el desmontaje:

Oprima los pestillos situados en ambos lados del paquete de baterías para soltar éste de la motosierra.

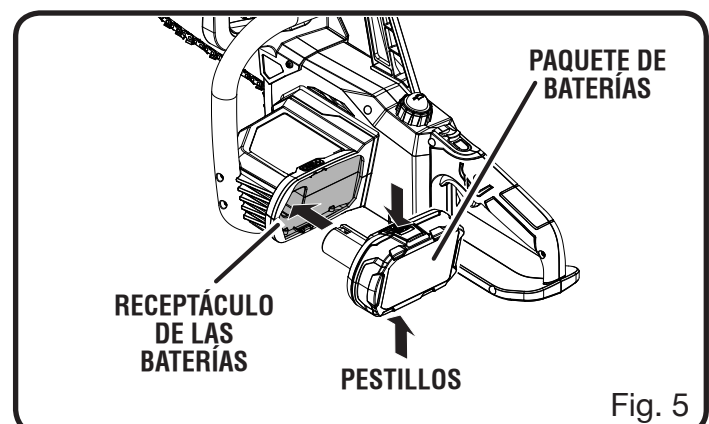


Fig. 5

FUNCIONAMIENTO

AVISO:

Al colocar el paquete de baterías en la motosierra, asegúrese de que la costilla realizada del mismo quede alineada con la ranura interior del receptáculo para baterías de la sierra, y de que los pestillos entren adecuadamente en su lugar con un chasquido. Si no se monta debidamente el paquete de baterías pueden dañarse los componentes internos.

AVISO:

Retire el paquete de baterías de la unidad. Llene el tanque de aceite con lubricante Ryobi para la barra y la cadena antes de arrancar la motosierra. Si no se lubrica la cadena pueden causarse daños a la barra y a la cadena.

SISTEMA LUBRICACIÓN DE LA CADENA

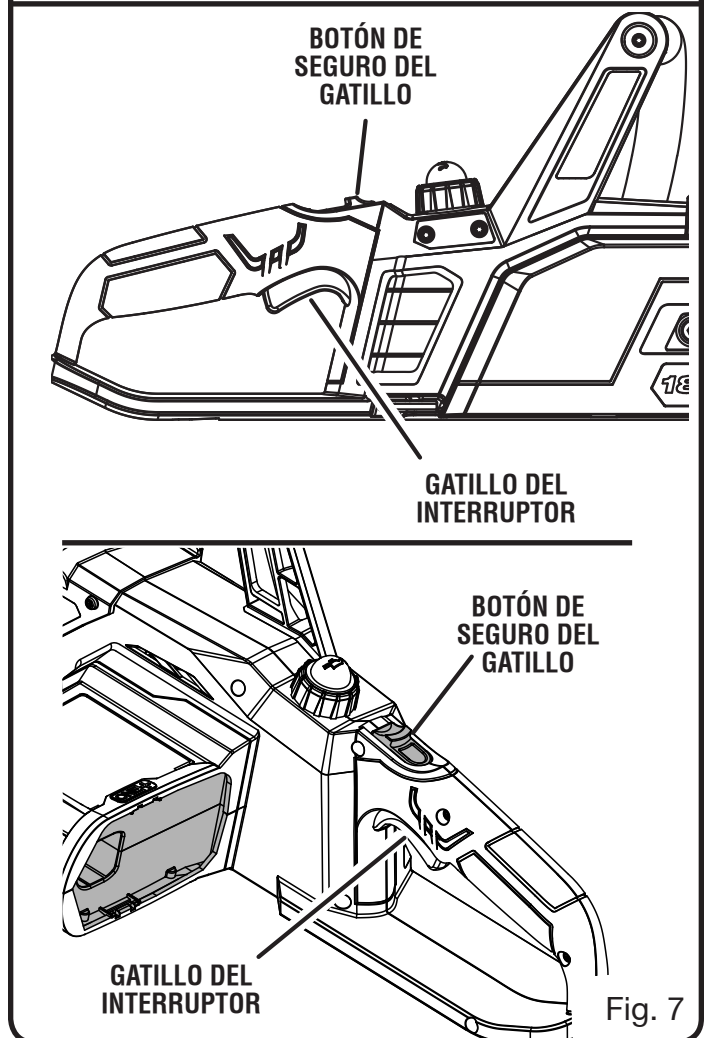
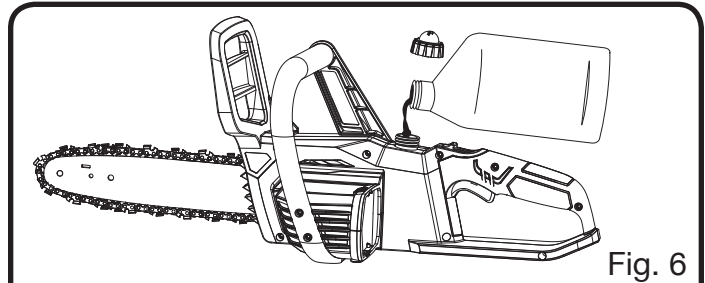
Vea la figura 6.

- Use lubricante Ryobi para barra y cadena. Está formulado para desempeñarse en una amplia gama de temperaturas sin requerir diluirse.

NOTA: No use lubricante sucio, usado o contaminado de ninguna forma. Puede dañarse la barra o la cadena.

- Cuidadosamente vierta el lubricante para la barra y la cadena en el tanque correspondiente.
- Revise el tanque de aceite y llénelo cuando cargue las baterías, o según sea necesario.
- Oprima una vez la tapa del tanque de aceite para bombear el lubricante hacia la cadena antes de arrancar la sierra.
- Con fin de mantener lubricada la cadena, oprima la tapa del tanque de aceite una vez cada unos minutos mientras corta.

NOTA: Es normal que el lubricante se escurra de la sierra cuando no está ésta en uso. Para evitar el escurrimiento, vacíe el tanque de aceite cada vez después de usar la unidad. Al guardar la unidad durante un largo período de tiempo (tres meses o más), asegúrese de lubricar ligeramente la cadena; de esta manera se evita la oxidación de la cadena y de la rueda dentada de la barra.



ENCENDIDO Y APAGADO DE LA MOTOSIERRA

Vea la figura 7.

⚠ ADVERTENCIA:

Mantenga el cuerpo a la izquierda del plano de la cadena. Nunca se coloque a horcajadas por encima de la sierra o de la cadena, ni incline el cuerpo a través del plano de la cadena.

FUNCIONAMIENTO

Encendido de la motosierra:

- Coloque la motosierra en una superficie plana descubierta, y asegúrese de que no haya objetos ni obstrucciones en el área inmediata que puedan tocar la barra o la cadena.
- Oprima y no suelte el botón de seguro del gatillo. Con esto se vuelve capaz de funcionar el gatillo del interruptor.
- Oprima y no suelte el gatillo del interruptor, suelte el botón de seguro del gatillo y continúe oprimiendo el gatillo del interruptor para continuar operando la unidad.

Apagado de la motosierra:

- Suelte el gatillo del interruptor cuando desee apagar la motosierra.
- Al soltar el gatillo del interruptor, el botón de seguro del gatillo regresa automáticamente a la posición de inmovilización de este último.

Esta motosierra inalámbrica no está diseñada para cortar árboles de diámetro superior a 178 mm (7 pulg.).

Esta sierra inalámbrica de cadena está diseñada para corte de desramado y poda, así como para talar árboles de diámetro inferior a 178 mm (7 pulg.).

PREPARACIÓN PARA EL CORTE

SUJECIÓN CORRECTA DE LOS MANGOS

Vea las figuras 8 a 10.

Con respecto al equipo de seguridad adecuado, consulte la sección *Instrucciones importantes de seguridad* más arriba en este manual.

- Póngase guantes antideslizantes para lograr una capacidad de sujeción y protección máximas.
- Sujete la sierra firmemente con ambas manos. Siempre mantenga la mano izquierda en el mango delantero y la mano derecha en el mango trasero, de manera que su cuerpo quede a la izquierda del plano de la cadena.



ADVERTENCIA:

Nunca use sujete la unidad a zurdas (con la posición de las manos intercambiada), ni con el cuerpo en ninguna postura que pueda colocar el mismo o el brazo a través del plano de la cadena.

- Mantenga una sujeción adecuada de la sierra siempre que esté funcionando el motor. Los dedos deben rodear el mango, con el pulgar

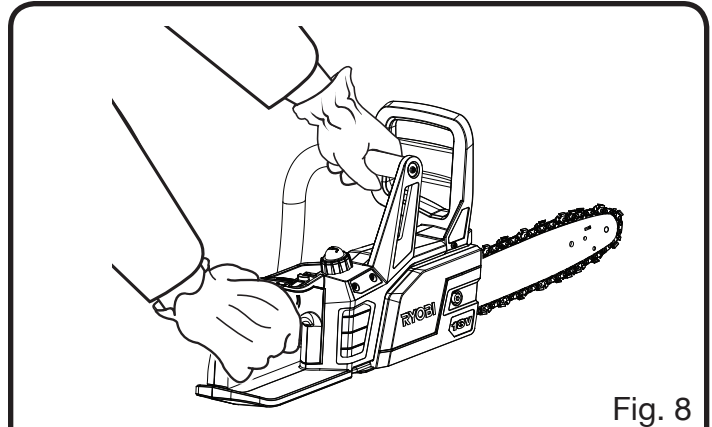


Fig. 8



Fig. 9

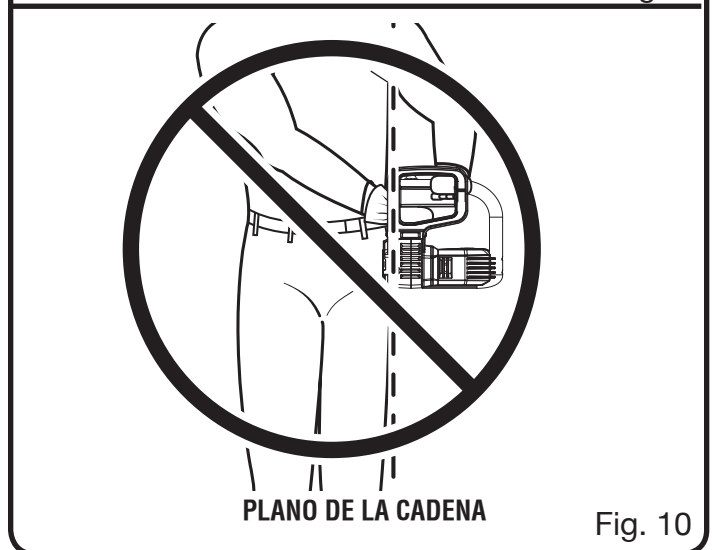


Fig. 10

doblado bajo la barra del mismo. Esta forma de sujeción es la que tiene menor probabilidad de fallar (por un contragolpe o cualquier otra reacción súbita de la sierra). Cualquier forma de sujeción en la cual el pulgar y los dedos restantes están en el mismo lado del mango es peligrosa, debido a que incluso un contragolpe leve de la sierra puede originar la pérdida del control.

FUNCIONAMIENTO

⚠ ADVERTENCIA:

No accione el gatillo del interruptor con la mano izquierda, sujetando el mango delantero con la mano derecha. Nunca permita que ninguna parte del cuerpo cruce el plano de la cadena mientras esté funcionando la sierra. El uso inadecuado de la motosierra puede causar lesiones graves.

POSTURA CORRECTA PARA EL CORTE

Veja la figura 11.

⚠ ADVERTENCIA:

Siempre utilice la postura de corte correcta que se describe en esta sección. Nunca se arrodille cuando utilice la motosierra, salvo cuando tale un árbol según se ilustra en la figura 15. Si se arrodilla podría perder la estabilidad y el control de la motosierra, y eso podría derivar en lesiones personales graves.

- El peso debe quedar distribuido de forma equilibrada con ambos pies en suelo firme.
- Mantenga el brazo izquierdo con el codo rígido en posición de “brazo recto” para poder tolerar la fuerza de cualquier contragolpe.
- Su cuerpo debe estar siempre a la izquierda del plano de la cadena.
- Mantenga el pulgar bajo la barra del mango.

PROCEDIMIENTO BÁSICO DE CORTE

Practique cortando unos pocos troncos pequeños aplicando la siguiente técnica para acostumbrarse al manejo de la sierra antes de comenzar una tarea de corte de mayores proporciones.

- Apoye los troncos en un caballete de aserrar o el otro soporte.
- Adopte una postura correcta del cuerpo frente a la madera, con la sierra apagada.
- Oprima el gatillo del interruptor y permita a la cadena acelerarse a plena velocidad antes de iniciar el corte.
- Inicie el corte poniendo la sierra contra el tronco.
- Mantenga encendida la unidad todo el tiempo que esté cortando; mantenga una velocidad uniforme.
- Permita que la cadena efectúe el corte; sólo aplique una leve presión hacia abajo. Si fuerza el corte, puede dañarse la barra, la cadena o la unidad.

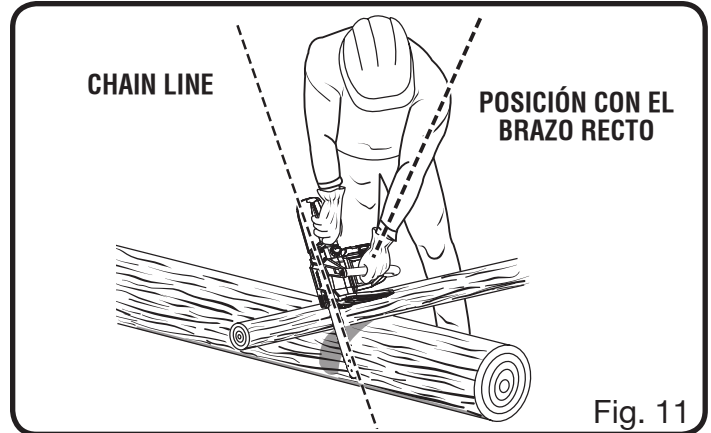


Fig. 11

- Suelte el gatillo del interruptor tan pronto como termine el corte, permitiendo así detenerse a la cadena. Si acciona la sierra a la aceleración máxima cortando en vacío, puede ocurrir un desgaste innecesario de la cadena, de la barra y de la unidad.
- No aplique presión en la sierra al final del corte.

PRECAUCIONES EN EL ÁREA DE TRABAJO

- Sólo corte madera o materiales hechos de madera; no corte lámina metálica, plásticos, obras de albañilería ni materiales de construcción que no sean de madera.
- Nunca permita utilizar la sierra a ningún niño. No permita utilizar la sierra a ninguna persona que no haya leído este manual del operador o no haya recibido instrucciones adecuadas sobre la forma correcta de emplear esta motosierra.
- Mantenga a todas las personas, ayudantes, circunstantes, niños y animales a una distancia segura del área de corte. Durante las operaciones de tala de árboles, una distancia segura es por lo menos el doble de la altura de los árboles más altos presentes en el área de la tala. Durante las tareas de tronzado (corte en tramos más pequeños), mantenga una distancia mínima de 15 pies (4,5 metros) entre los trabajadores.
- Siempre corte con ambos pies bien apoyados en suelo sólido para evitar perder el equilibrio.
- No corte arriba de la altura del pecho, ya que si se tiene la sierra más arriba de esa altura, es difícil de controlar bajo la fuerza del contragolpe.
- No corte árboles cerca de cables eléctricos o de edificios. Deje tal operación a los profesionales.
- Corte solamente cuando al visibilidad y la luz sean adecuadas para ver claramente.

FUNCIONAMIENTO

TALA DE ÁRBOLES

Vea las figuras 12 a 15.

CONDICIONES PELIGROSAS

⚠ ADVERTENCIA:

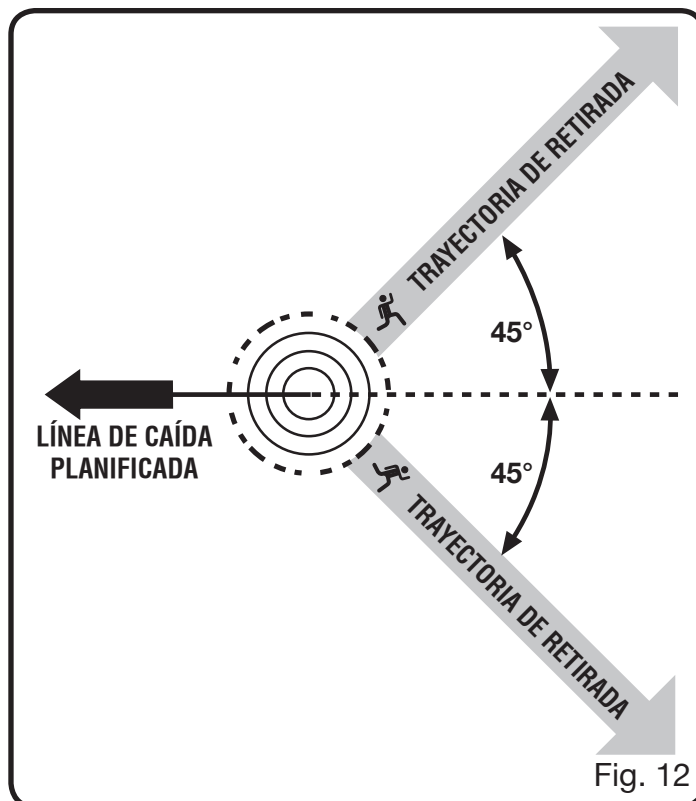
No tale árboles durante períodos de viento o lluvia intensos. Espere hasta que cese el tiempo peligroso.

⚠ ADVERTENCIA:

Controle con cuidado que no haya ramas rotas o muertas que puedan caer mientras tala, y no tale cerca de edificios o cables eléctricos si no sabe en qué dirección caerá el árbol. No tale de noche o con malas condiciones climáticas como lluvia, nieve o fuertes vientos, porque tendrá menor visibilidad y menor control de la motosierra. Si el árbol que está talando cae sobre una línea de transmisión de algún servicio, deje de usar la motosierra y notifique de inmediato a la compañía de servicios. No seguir estas instrucciones podría causar la muerte o lesiones personales graves.

Al talar un árbol, es importante siga las siguientes advertencias e instrucciones para evitar toda posible lesión seria.

- No corte árboles extremadamente delgados ni árboles grandes con ramas podridas, corteza suelta o troncos huecos. Permita que expertos derriben estos árboles con equipo pesado de empuje o arrastre, y después recórtelos.
- No corte árboles cerca de cables eléctricos o de edificios.
- Revise cada árbol para ver si tiene ramas muertas que pudiesen caer y golpearlo al talar aquél.
- Periódicamente eche un vistazo a la copa del árbol durante el corte trasero, para asegurarse de que caiga en la dirección deseada.
- Si el árbol comienza a caer en una dirección equivocada, o si la sierra se pellizca o queda colgada en el tronco durante la caída del árbol, ¡deje la sierra y sálvese!
- Tala de árboles - Cuando las tareas de tronzado (corte en tramos más pequeños) y de tala de árboles son efectuadas por dos o más personas al mismo tiempo, la operación de tronzado de un árbol previamente talado debe separarse de la de la tala del árbol siguiente por una distancia igual

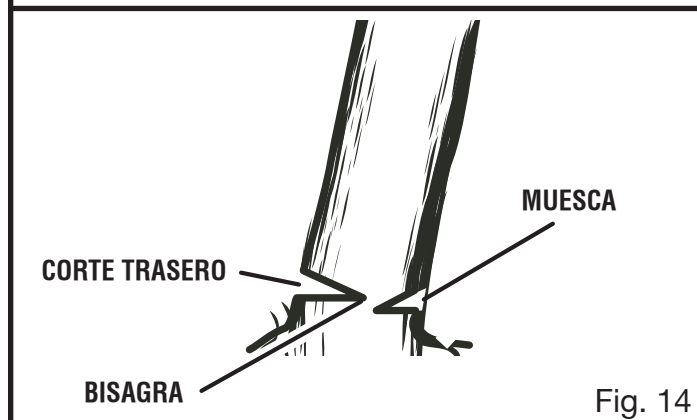
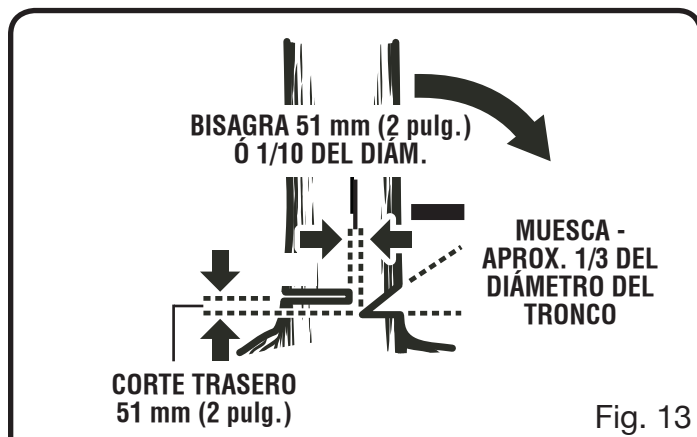


al doble de la altura del árbol que esté talándose en ese momento. Debe evitarse cortar los árboles de una manera que pudieran poner en peligro a cualquier persona, golpear las líneas de servicios públicos o causar cualquier daño material. Si el árbol golpea cualquier red de servicio público, la compañía correspondiente debe ser notificada de inmediato.

- Antes de iniciar cualquier corte, escoja su ruta de escape (o rutas, en caso de que esté bloqueada la ruta planeada); despeje el área inmediata alrededor del árbol y asegúrese de que no haya obstrucciones en la trayectoria de retirada planeada. Las trayectorias despejadas para una retirada segura deben extenderse hacia atrás en forma diagonal (45°) detrás de la línea de caída planeada. Cuando el árbol empiece a caer, usted deberá retirarse de la dirección de la caída usando la trayectoria de retirada y a una distancia de 6 m (20 pies) del tronco en caso de que exista un contragolpe sobre la cepa. *Vea la figura 12.*
- Antes de iniciar la tala del árbol, considere la fuerza y la dirección del viento, la inclinación y el equilibrio del árbol, y por último la ubicación de las ramas más grandes del mismo. Estos aspectos influyen en la dirección de caída del árbol. No trate de talar ningún árbol a lo largo de una línea diferente de su línea natural de caída.

FUNCIONAMIENTO

- El operador de la motosierra debe permanecer en el lado colina arriba del terreno, ya que probablemente el árbol rodará o se deslizará colina abajo una vez talado.
- Retire la tierra, piedras, corteza floja, clavos, grapas y alambre del árbol, donde se vayan a efectuar los cortes de tala.
- **Corte de muescado.** Corte una muesca de 1/3 del diámetro del tronco aproximadamente, perpendicular a la dirección de la caída. Efectúe los cortes de la muesca de manera que queden cruzando en ángulo recto el plano de caída. Esta muesca debe limpiarse para dejar una línea recta. Para mantener el peso de la madera fuera de la sierra, siempre efectúe el corte inferior de la muesca antes del corte superior. *Vea la figura 13.*
- **Corte trasero de tala.** El corte trasero siempre se realiza nivelado y horizontal, y a un mínimo de 51 mm (2 pulg.) arriba del corte horizontal de la muesca. *Vea las figuras 13 y 14.*
- Nunca corte hasta la muesca. Siempre deje una franja de madera entre la muesca y el corte trasero (aprox. 51 mm [2 pulg.] ó 1/10 del diámetro del árbol). Esto se llama “bisagra” o “madera de bisagra”. Controla la caída del árbol y evita el deslizamiento, el torcimiento o la separación violenta del árbol de su cepa. *Vea las figuras 13 y 14.*
- En árboles de diámetro grande, detenga el corte trasero antes de que esté tan profundo que el árbol pudiese caer o asentarse en la cepa. Después introduzca cuñas de madera o plástico suaves en el corte, de manera que no toquen la cadena. Las cuñas pueden encajarse, poco a poco, para ayudar a derribar el árbol. *Vea la figura 15.*
- A medida que comience a caer el árbol, apague la motosierra y dépositela en el suelo de inmediato. Retírese por la trayectoria despejada, pero observe lo que sucede por si algo llega a caer en su camino. Permanezca alerta a las ramas elevadas que puedan caer y fíjese en dónde pisa.



⚠ ADVERTENCIA:

Nunca corte hasta la muesca al efectuar el corte trasero. La bisagra, que es la parte de madera existente entre la muesca y el corte trasero, controla la caída del árbol.

FUNCIONAMIENTO

ELIMINACIÓN DE RAÍCES ZANCAS

Veja la figura 16.

Una raíz zanca es una raíz larga que se extiende desde el tronco del árbol, por encima de la tierra. Antes de talar el árbol, elimine las raíces zancas grandes. Primero efectúe el corte horizontal en la raíz zanca, seguido del corte vertical. Retire del área de trabajo la parte suelta resultante. Una vez habiendo eliminado las raíces zancas grandes de la forma señalada en **Tala de árboles**, aplique el procedimiento adecuado para talar el árbol.

TRONZADO

Veja las figuras 17 a 20.

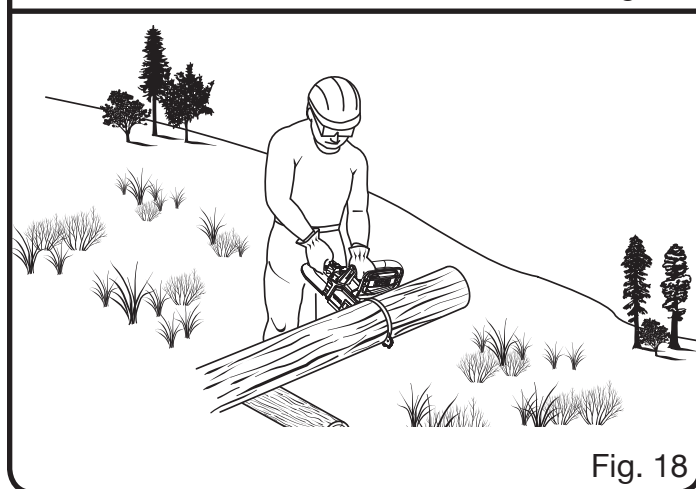
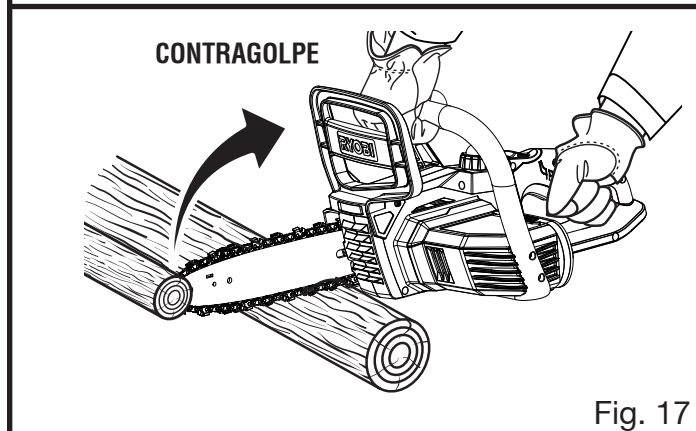
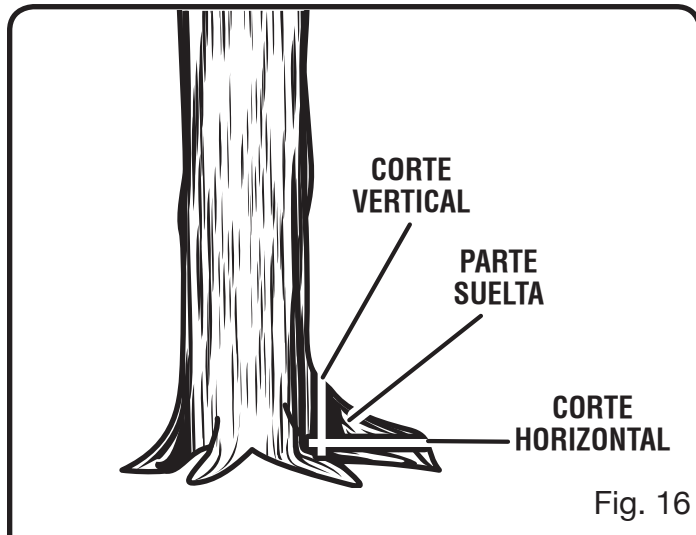
Tronzado es el término aplicado al corte del tronco de un árbol talado, en tramos de la longitud deseada.

- Siempre asegúrese de mantener una postura firme y de distribuir su peso de forma equilibrada en ambos pies.
- Solamente corte un tronco a la vez.
- Apoye los troncos pequeños en un caballete de aserrar o en otro tronco mientras lo tronza.
- Mantenga despejada el área del corte. Asegúrese de que ningún objeto pueda tocar la punta de la barra guía ni la cadena durante el corte, ya que puede originarse un contragolpe. Consulte el apartado **Contragolpe**, más arriba en este manual.
- Al efectuar tareas de tronzo en una pendiente, siempre párese en el lado colina arriba de los troncos. Para mantener un control completo de la motosierra al cortar a través del tronco, afloje la presión de corte cerca del final del corte sin disminuir la fuerza de sujeción de los mangos de la sierra. No permita que la cadena toque el suelo. Después de terminar el corte, espere a que se detenga la cadena antes de mover la motosierra. Siempre apague el motor antes de desplazarse de un árbol a otro.

TRONZADO DE TRONCOS BAJO TENSIÓN

Veja las figuras 19 y 20.

Cuando el tronco está sostenido a lo largo de toda su longitud, debe cortarse a partir de la parte superior, o sea tronzo por arriba.



FUNCIONAMIENTO

Cuando el tronco está sostenido por un extremo, corte 1/3 del diámetro a partir de la parte inferior, o sea tronzado por abajo. Después realice el corte final con un tronzado por arriba hasta encontrar el primer corte. A medida que se corta el tronco, tenderá a doblarse. La sierra puede resultar pellizcada o quedar colgada en el tronco si efectúa el primer corte a una profundidad mayor de 1/3 del diámetro del tronco.

Preste atención en especial a los troncos sujetos a tensión para evitar el pellizcamiento de la barra y de la cadena en la madera.

Al efectuar tareas de tronzado en una pendiente, siempre párese en el lado colina arriba de los troncos, como se muestra en la figura 18. Al cortar "a través del tronco", para mantener un control completo de la motosierra, afloje la presión de corte cerca del final del corte sin disminuir la fuerza de sujeción de los mangos de la sierra. No permita que la cadena toque el suelo. Después de terminar el corte, espere a que se detenga la cadena antes de mover la motosierra. Siempre apague el motor antes de desplazarse de un árbol a otro.

TIPOS DE CORTE EFECTUADOS

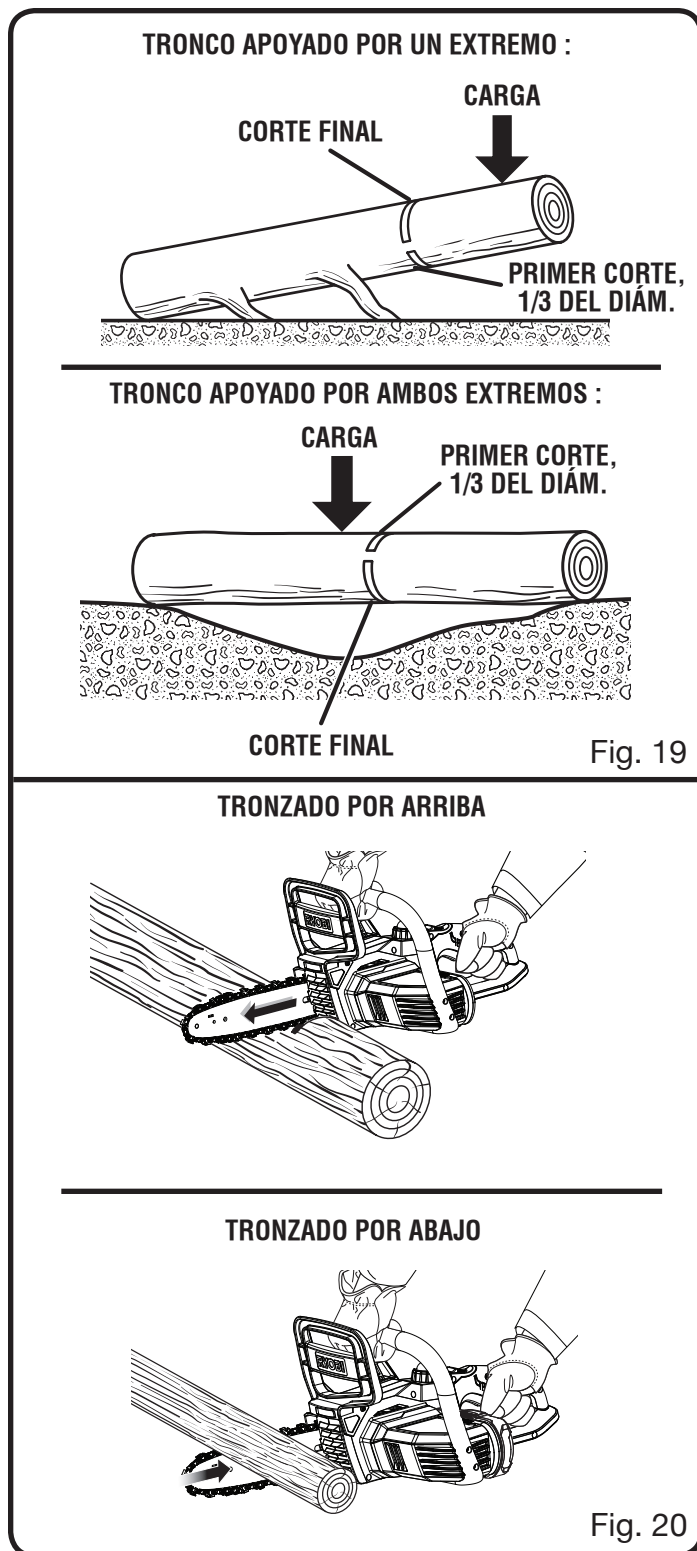
Vea la figura 20.

TRONZADO POR ARRIBA

Comience por el lado superior del tronco, con la parte inferior de la sierra puesta contra el tronco; ejerza una presión leve hacia abajo. Observe que la sierra tenderá a alejarse de usted.

TRONZADO POR ABAJO

Comience por el lado inferior del tronco, con la parte superior de la sierra puesta contra el tronco; ejerza una presión leve hacia arriba. Durante el tronzado por abajo, la sierra tenderá a venir hacia usted. Esté preparado para esta reacción y sujete firmemente la sierra para conservar el control de la misma.



FUNCIONAMIENTO

DESRAMADO Y PODA

Vea las figuras 21 y 22.

- Trabaje lentamente, manteniendo ambas manos en la sierra, sujetándola firmemente. Mantenga bien apoyados los pies y bien equilibrado el cuerpo.
- Mantenga el árbol entre usted y la cadena mientras realice el desramado.
- No realice tareas de corte subido en una escalera. Es extremadamente peligroso. Deje tal operación a los profesionales.
- No corte arriba de la altura del pecho. Si sostiene la sierra arriba de la altura del pecho, es difícil controlarla bajo la fuerza del contragolpe.

⚠ ADVERTENCIA:

Nunca se suba a un árbol para desramarlo o podarlo. No se pare en escaleras, plataformas o troncos, techos, ni en ninguna posición que pueda causar la pérdida del equilibrio o del control de la sierra y podría causar la muerte o lesiones serias.

- Al podar árboles es importante no realizar el corte a nivel de una rama, junto a la rama o tronco de donde sale, hasta que haya recortado la primera para reducir el peso de la misma. De esta manera se evita desprender la corteza del miembro progenitor.
 - Para el primer corte de tronzado, corte por abajo la rama 1/3 del diámetro de la misma.
 - Tronce por arriba la rama para desprenderla.
 - Termine con un corte liso y bien hecho contra el miembro progenitor, de manera que se forme la corteza para sellar el corte.

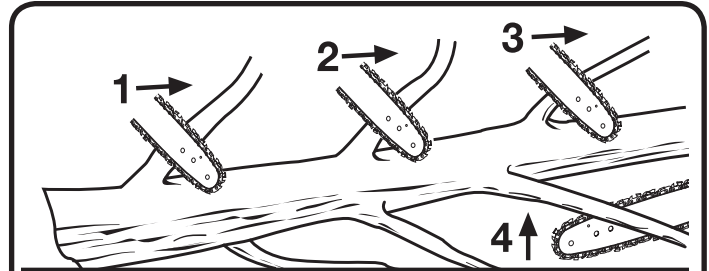
⚠ ADVERTENCIA:

Si las ramas por podar están arriba de la altura de los hombros, contrate a un experto para que efectúe la poda. Si corta más arriba de la altura de sus hombros, puede ocasionar un accidente que cause lesiones graves.

PÉRTIGAS

Vea la figura 23.

Una pértiga es cualquier tronco, rama, cepa enraizada o árbol joven que ha sido doblado por la presión de otro árbol o rama, de manera que azota si se corta o



CORTE UNA RAMA A LA VEZ Y DEJE RAMAS DE SOPORTE BAJO EL ÁRBOL HASTA QUE ESTÉ CORTADO EL TRONCO

Fig. 21

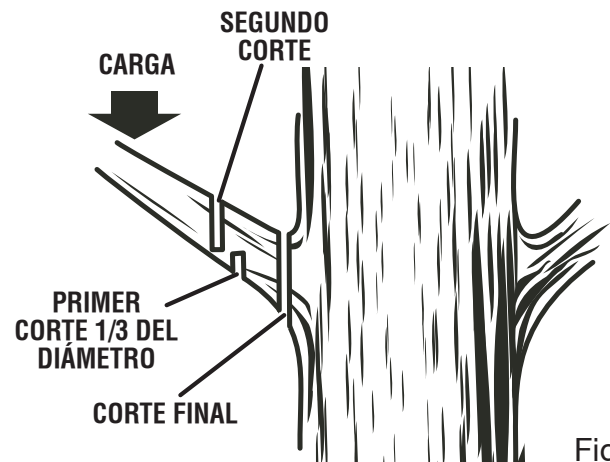


Fig. 22

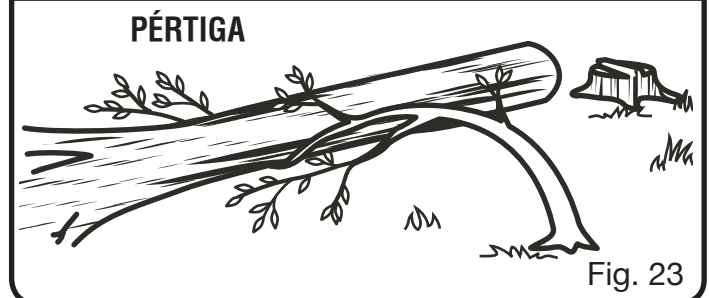


Fig. 23

se elimina el elemento que lo detiene. Con la cepa enraizada de un árbol caído hay un gran peligro de que la misma vuelva súbitamente a la posición vertical durante el corte de tronzado para separar el tronco de la cepa. Tenga cuidado con las pértigas, ya que son peligrosas.

⚠ ADVERTENCIA:

Las pértigas son peligrosas y podrían golpear al operador, obligándolo a perder el control de la motosierra. Esto podría causarle lesiones mortales o serias al operador.

MANTENIMIENTO

ADVERTENCIA:

Para evitar lesiones corporales serias, siempre retire el paquete de baterías de la herramienta al limpiarla o darle mantenimiento.

ADVERTENCIA:

Siempre póngase protección para los ojos con la marca de cumplimiento de la norma ANSI Z87.1, así como protección para los oídos y la cabeza. Si no cumple esta advertencia, los objetos que salen despedidos pueden producirle lesiones serias en los ojos.

ADVERTENCIA:

Al dar servicio a la unidad, sólo utilice piezas de repuesto idénticas. El empleo de piezas diferentes podría causar un peligro o dañar el producto.

AVISO:

Inspeccione periódicamente todo el producto para detectar partes dañadas, faltantes o sueltas, como tornillos, tuercas, pernos, tapas, etc. Apriete firmemente todos los sujetadores y las tapas y no accione este producto hasta que todas las partes faltantes o dañadas sean reemplazadas. Llame al contacto con el servicio al cliente o con un centro de servicio autorizados para recibir asistencia.

MANTENIMIENTO GENERAL

Evite el empleo de solventes al limpiar piezas de plástico. La mayoría de los plásticos son susceptibles a diferentes tipos de solventes comerciales y pueden resultar dañados. Utilice paños limpios para eliminar la suciedad, el polvo, el aceite, la grasa, etc.

ADVERTENCIA:

No permita en ningún momento que fluidos para frenos, gasolina, productos a base de petróleo, aceites penetrantes, etc., lleguen a tocar las piezas de plástico. Las sustancias químicas pueden dañar, debilitar o destruir el plástico, lo cual a su vez podría producir lesiones corporales serias.

COMBINACIONES DE BARRA Y CADENA RECOMENDADAS DE REPUESTO

Núm. pieza de la barra de repuesto	Núm. pieza de la cadena de repuesto
311278001	693814001

REEMPLAZO DE LA BARRA Y DE LA CADENA

Vea las figuras 24 a 28.

ADVERTENCIA:

Retire el paquete de baterías y asegúrese de que se haya detenido la cadena antes de realizar cualquier labor de mantenimiento de la sierra. De lo contrario la unidad puede ponerse en marcha accidentalmente, con el consiguiente riesgo de lesiones serias.

ADVERTENCIA:

Para evitar lesiones corporales serias, lea y comprenda todas las instrucciones de seguridad indicadas en esta sección.

ADVERTENCIA:

Nunca toque ni ajuste la cadena mientras esté funcionando el motor. La cadena de la sierra está sumamente afilada; siempre póngase guantes protectores al efectuar labores de mantenimiento de la cadena para evitar posibles heridas desgarradas serias.

MANTENIMIENTO

⚠ PRECAUCIÓN:

Siempre póngase guantes la manipular la barra y la cadena; estos componentes han sido afilados y pueden contener rebabas.

- Retire el paquete de baterías antes de realizar cualquier trabajo en la motosierra.
- Extraiga del compartimiento la llave hexagonal y utilícela para retirar el tornillo y la rondana de la tapa de la cadena, así como dicha tapa.
- Retire la barra y la cadena de la superficie de montaje.
- Retire la cadena vieja de la barra.
- Extienda la nueva cadena de la sierra en un círculo y enderece todo retorcimiento presente en la misma. Los dientes de corte deben estar orientados en la dirección de desplazamiento de la cadena. Si están orientados en la dirección opuesta, invierta la posición de la cadena.
- Coloque los eslabones de impulsión de la cadena en la ranura de la barra. Acomode la cadena de tal manera que haya una holgura en la parte posterior de la barra. Mantenga la cadena en su posición en la barra y coloque la holgura alrededor de la rueda dentada de la motosierra. Acomode la barra contra la superficie de montaje de manera que el vástago para la barra quede en la ranura larga de la misma.

⚠ ADVERTENCIA:

Cuando coloque la barra en los pernos de la barra, asegúrese de que el pasador de tensado de la cadena esté en su orificio del pasador de tensado de la cadena. Si no coloca el pasador de tensado de la cadena de forma adecuada en su orificio, la cadena podría aflojarse y causarle lesiones graves.

- Vuelva a colocar la tapa de la cadena, la rondana y el tornillo. Apriete sólo con la mano el tornillo de la tapa de la cadena. La barra debe quedar libre para moverse para el ajuste de la tensión.
- Elimine toda la holgura de la cadena; para ello, gire hacia la derecha el tornillo de tensado de la cadena hasta que ésta se siente ajustadamente en la barra, con los eslabones de impulsión dentro de la ranura de la misma.

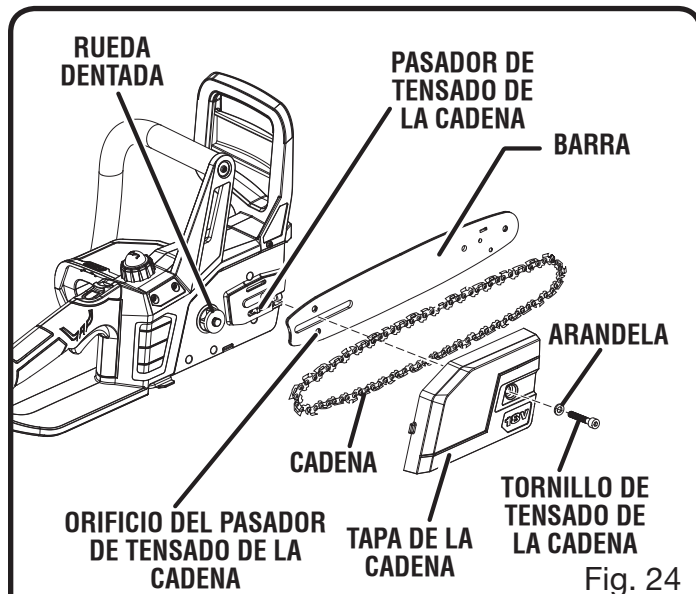


Fig. 24

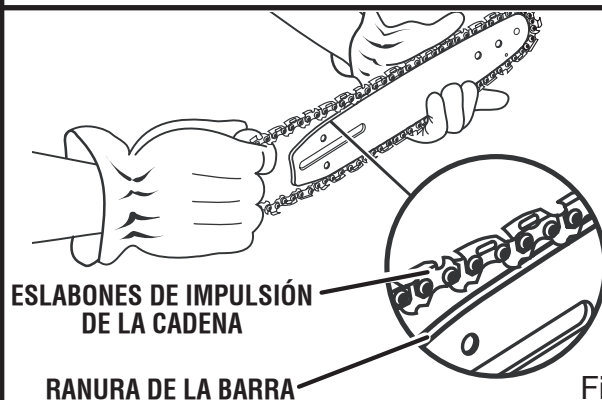


Fig. 25

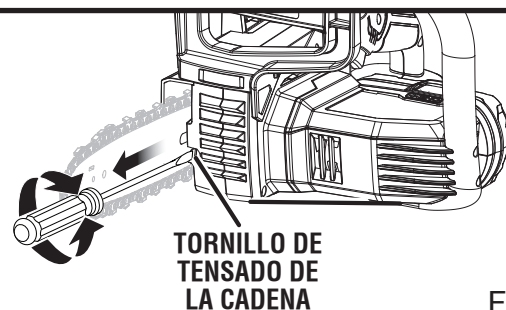


Fig. 26

- Levante la punta de la barra guía para revisar la holgura de la cadena. Suelte la punta de la barra guía y gire 1/2 vuelta hacia la derecha el tornillo de tensado de la cadena. Repita este proceso hasta que desaparezca toda holgura presente.
- Mantenga levantada la punta de la barra guía y apriete firmemente el tornillo de montaje de dicha barra.
- La cadena está bien tensada cuando no hay holgura de la misma en la parte inferior de la barra guía, la cadena se siente bien ajustada

MANTENIMIENTO

en la barra, y puede avanzarse con la mano sin ningún atoramiento de aquélla.

NOTA: Si queda demasiado ajustada la cadena, no podrá desplazarse. Afloje levemente el tornillo de la tapa de la cadena y gire 1/4 de vuelta hacia la izquierda el tornillo de ajuste de la tensión. Levante la punta de la barra guía y vuelva a apretar firmemente el tornillo de la tapa de la cadena. Asegúrese de que la cadena se desplace sin atorarse.

- Introduzca de nuevo la llave hexagonal en el compartimiento.

AJUSTE DE LA TENSIÓN DE LA CADENA

Vea las figuras 29 y 30.

⚠ ADVERTENCIA:

Nunca toque ni ajuste la cadena mientras esté funcionando el motor. La cadena de la sierra está sumamente afilada. Siempre lleve puestos guantes protectores al efectuar labores de mantenimiento de la cadena.

- Apague el motor antes de ajustar la tensión de la cadena. Asegúrese de aflojar el tornillo de la barra guía lo suficiente para dejarlo apretado con la mano; gire hacia la derecha el tensador de la cadena para tensar ésta. Consulte el apartado **Reemplazo de la barra y de la cadena** más arriba en este manual, donde encontrará información adicional.

- La cadena, estando fría, está bien tensada cuando no hay holgura de la misma en la parte inferior de la barra guía, la cadena se siente bien ajustada en la barra, y puede avanzarse con la mano sin ningún atoramiento.

- La cadena debe volver a tensarse cada vez que las partes planas de los eslabones de impulsión sobresalen suspendidos de la ranura de la barra.

- Durante el funcionamiento normal de la sierra, aumenta la temperatura de la sierra. Si la cadena está bien tensada, estando caliente los eslabones de impulsión sobresalen suspendidos de la ranura de la barra aproximadamente 1,25 mm (0,050 pulg.).

LEVANTE LA
PUNTA DE LA
BARRA GUÍA
PARA REVISAR LA
HOLGURA DE LA
CADENA

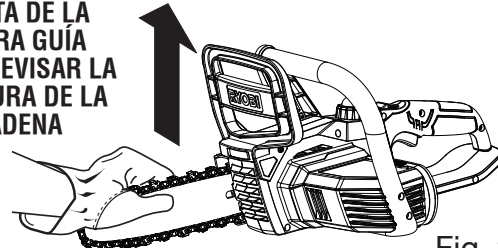


Fig. 27

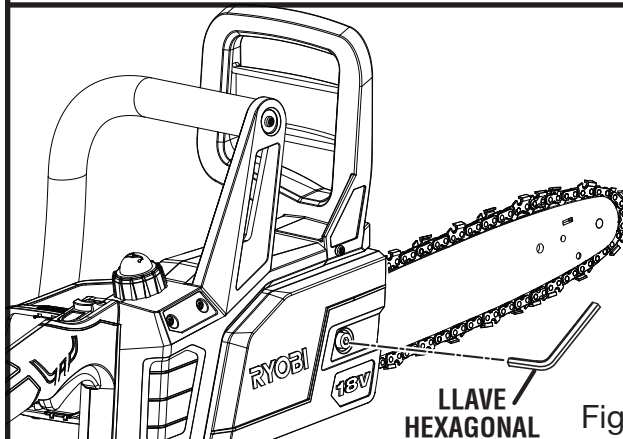
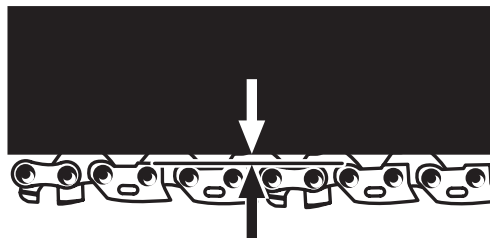


Fig. 28



APROX. 0,050 pulg. (1,25 mm)

Fig. 29

PARTES
PLANAS



Fig. 30

NOTA: Las cadenas nuevas tienden a estirarse; revise frecuentemente la tensión de la cadena y tense ésta según se requiera.

AVISO:

Si se tensa la cadena estando ésta caliente, puede quedar demasiado apretada al enfriarse. Revise la "tensión en frío" de la cadena, antes de usar la sierra.

MANTENIMIENTO

MANTENIMIENTO DE LA CADENA

Veá las figuras 31 y 32.

⚠ ADVERTENCIA:

Retire el paquete de baterías y asegúrese de que se haya detenido la cadena antes de realizar cualquier labor de mantenimiento de la sierra.

Sólo utilice cadena de contragolpe moderado con esta sierra. Esta cadena de corte rápido proporciona reducción del contragolpe si se le da debido mantenimiento.

Para poder dar un corte liso y rápido, la cadena necesita recibir un mantenimiento adecuado. La cadena requiere afilarse cuando las virutas de madera salen pequeñas y polvorientas, cuando la es necesario forzar la cadena a pasar a través de la madera durante el corte, o cuando la cadena corta hacia un lado. Durante el mantenimiento de la sierra considere lo siguiente:

- Un ángulo incorrecto de limado de la placa lateral puede aumentar el riesgo de un contragolpe violento.
- Espacio libre de los dientes limpiadores (calibres de profundidad).
- Demasiado bajo aumenta el peligro de contragolpe.
- Si no está lo suficientemente bajo disminuye la capacidad de corte.
- Si los dientes de corte han tocado objetos duros como clavos y piedras, o han sido desgastados por el lodo o la arena presentes en la madera, permita que afilen la cadena en un establecimiento de servicio apropiado para la tarea.

NOTA: Al cambiar la cadena, inspeccione la rueda dentada de impulsión para ver si tiene desgaste o daños. Si hay señales de desgaste o daños presentes en las áreas indicadas, lleve la sierra a un establecimiento de servicio de productos Ryobi para que cambien la rueda dentada.

FORMA DE AFILAR LOS DIENTES DE CORTE

Veá las figuras 33 y 34.

Tenga cuidado de limar todos los dientes de corte a los ángulos especificados y a la misma longitud, ya que sólo puede lograrse un corte rápido cuando están uniformes todos los dientes de corte.

- Siempre póngase guantes para su protección. Tense adecuadamente la cadena antes de afilarla. Consulte el apartado **Tensado de la cadena**, más arriba en este manual. Efectúe toda la limadura en el punto medio de la barra.
- Use una lima redonda de 5/32 pulg. de diámetro con mango.

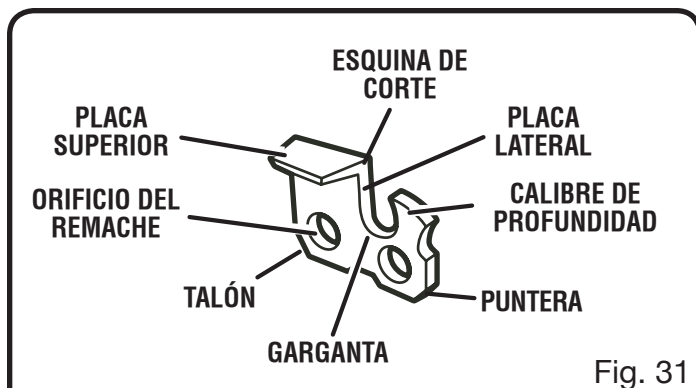


Fig. 31

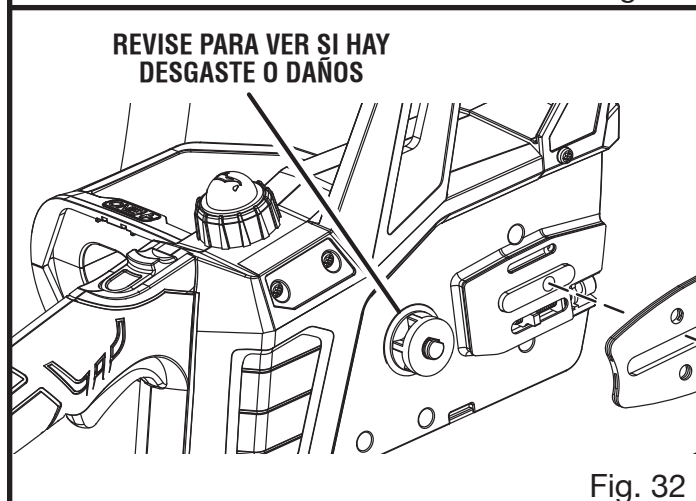


Fig. 32

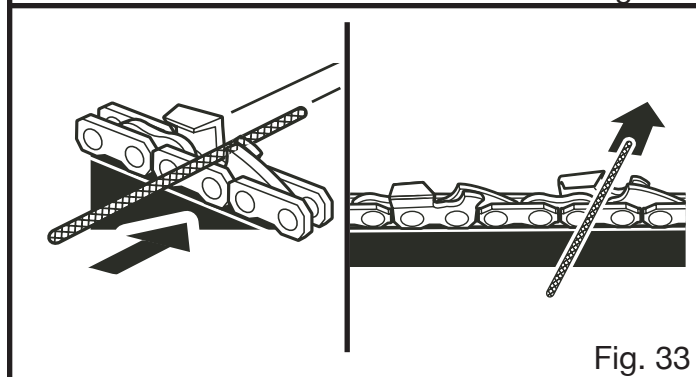


Fig. 33

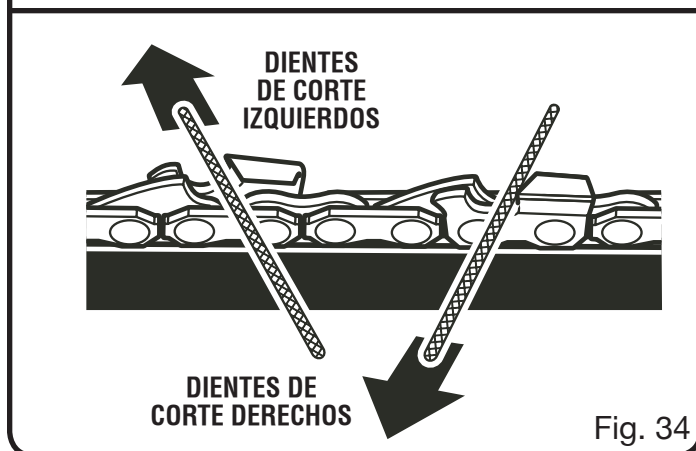


Fig. 34

MANTENIMIENTO

- Mantenga la lima al nivel de la placa superior de los dientes de corte. No permita que la lima se incline ni se balancee.
- Con presión leve pero firme, pase la lima por el diente, hacia la esquina delantera del mismo.
- Levante la lima para separarla del acero en cada movimiento de regreso.
- Dé unas pocas pasadas firmes a cada diente de corte. Lime todos los dientes de corte izquierdos en una dirección. Después lleve la lima al otro lado y lime los dientes de corte derechos en la dirección opuesta. Ocasionalmente, con un cepillo de alambre limpie las limaduras producidas por la lima.

⚠ ADVERTENCIA:

Un afilado inadecuado de la cadena aumenta el peligro de contragolpe.

⚠ ADVERTENCIA:

Si no se cambia o se repara la cadena cuando está dañada, puede causar lesiones serias.

⚠ ADVERTENCIA:

La cadena de la sierra está sumamente afilada; siempre póngase guantes protectores al efectuar labores de mantenimiento de la cadena para evitar lesiones personales graves.

ÁNGULO DE LIMADURA DE LA PLACA SUPERIOR

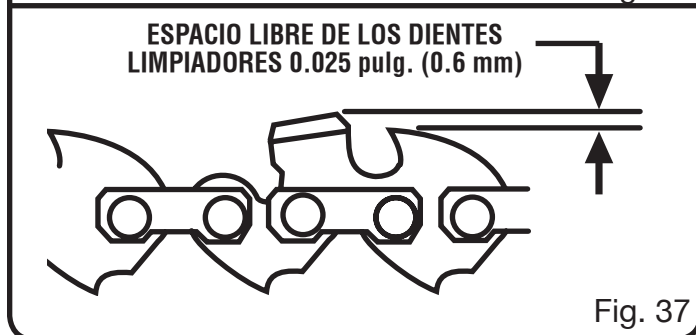
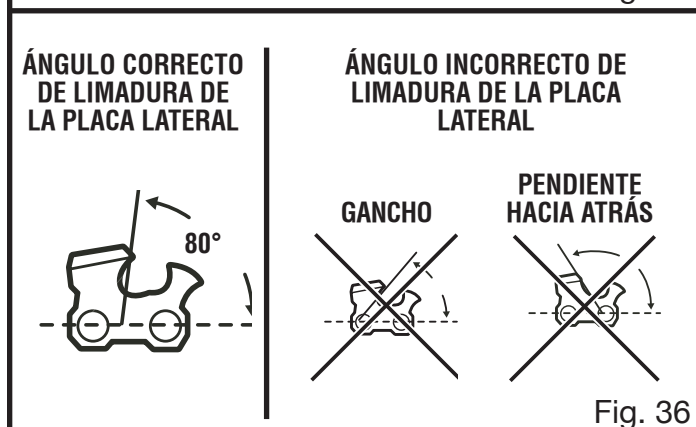
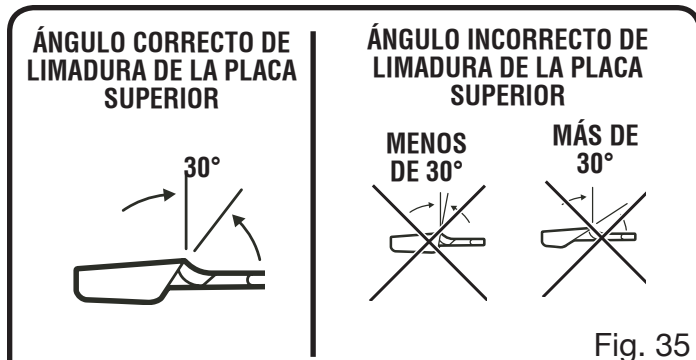
Vea la figura 35.

- **ÁNGULO CORRECTO:** 30° - Los mangos de las limas están marcados con marcas guía para alinear correctamente la lima con el fin de generar el ángulo correcto de la placa superior.
- **MENOS DE 30°** - Para corte transversal.
- **MÁS DE 30°** - El canto en bisel se desafilado rápidamente.

ÁNGULO DE LA PLACA LATERAL

Vea la figura 36.

- **ÁNGULO CORRECTO:** 80° - Se genera automáticamente si se pone una lima de diámetro correcto en el mango.
- **EN FORMA DE GARFIO** - “Agarra” y se desafilado rápidamente. Aumenta el peligro de **CONTRAGOLPE**. Resulta de esta forma por usarse una lima de diámetro demasiado pequeño, o por sostenerse ésta muy abajo.



- **PENDIENTE HACIA ATRÁS** - Se necesita demasiada presión para avanzar el corte, causa desgaste excesivo en la barra y en la cadena. Resulta de esta forma por usarse una lima de diámetro demasiado grande, o por sostenerse ésta muy alto.

ESPACIO LIBRE DEL CALIBRE DE PROFUNDIDAD

Vea la figura 37 a 39.

- El calibre de profundidad debe mantenerse a un espacio libre de 0,6 mm (0,025 pulg.). Utilice un instrumento de calibración de profundidad para verificar el espacio libre de los calibres de profundidad.
- Cada vez que se lima la cadena verifique el espacio libre de los calibres de profundidad.

Con una lima plana y un igualador de calibres de profundidad baje de manera uniforme todos los calibres.

MANTENIMIENTO

Los igualadores de calibres de profundidad vienen de 0,5 mm a 0,9 mm (0,020 pulg. a 0,035 pulg.). Use un igualador de calibres 0,6 mm (0,025 pulg.). Después de bajar cada calibre de profundidad, devuélvalos su forma original redondeando la parte frontal de los mismos. Tenga cuidado de no dañar los eslabones de impulsión adyacentes con el borde de la lima.

Cada calibre de profundidad debe ajustarse con la lima plana, en la misma dirección en que se limó con la lima redonda el diente de corte adyacente. Tenga cuidado de no tocar la cara del diente de corte adyacente con la lima plana al ajustar los calibres de profundidad.

MANTENIMIENTO DE LA BARRA GUÍA

Vea la figura 40.

⚠ PRECAUCIÓN:

Asegúrese de que se haya detenido la cadena y el paquete de baterías se ha sacado antes de ponerse a trabajar con la cadena.

Un mantenimiento adecuado maximizará la vida útil de barra guía.

Cada día de uso:

Limpie la barra y inspeccione para ver el desgaste y los posibles daños. La formación de minúsculos surcos y protuberancias en los rieles de la barra es un proceso normal de desgaste de la misma, pero tales fallas deben alisarse con una lima tan pronto como aparezcan.

Cada semana de uso:

- Invierta la barra guía en la sierra para distribuir el desgaste.
- Lubrique la fosa que se encuentra en el extremo de la barra guía insertando grasa en el agujero de lubricación con una jeringa.
- Gire la barra guía y verifique que no tengan impurezas los orificios de lubricación y la ranura de la cadena.

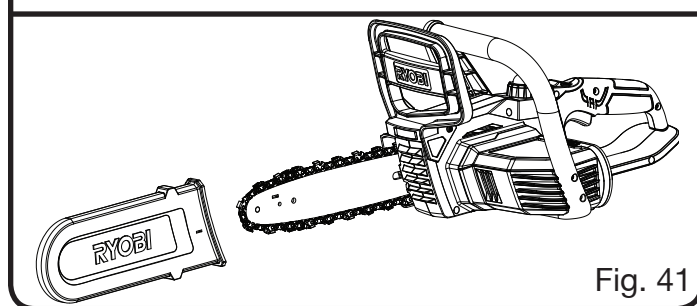
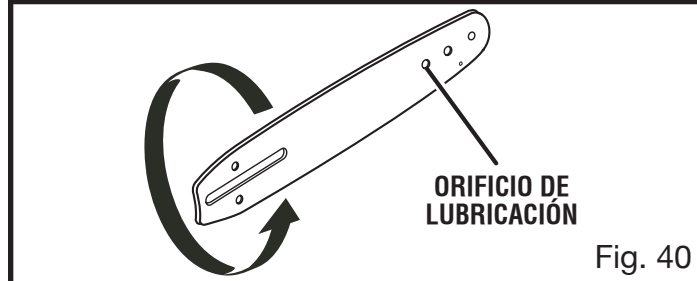
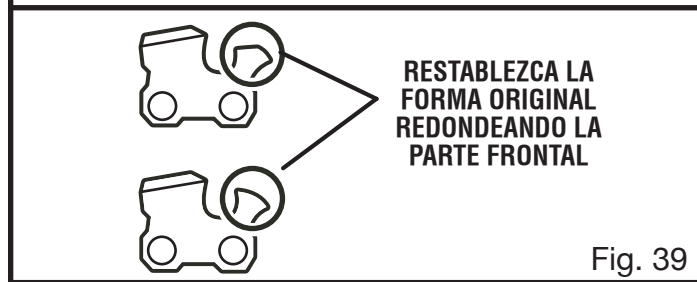
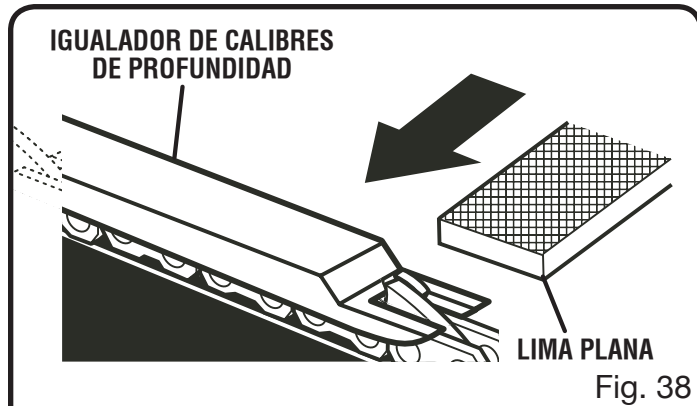
Debe cambiarse toda barra que presente cualquiera de las siguientes fallas:

- Desgaste dentro de los rieles de la barra que permite a la cadena descansar sobre su costado
- Barra guía doblada
- Rieles agrietados o rotos
- Rieles ensanchados

TRANSPORTE Y ALMACENAMIENTO

Vea la figura 41.

- No guarde ni transporte la motosierra mientras la tenga encendida. La motosierra siempre debe estar apagada al guardarla o transportarla.



- Siempre coloque la funda en la barra y la cadena antes de guardar o transportar la motosierra. Tenga precaución y evite tocar los afilados dientes de la cadena.
- Limpie la motosierra completamente antes de guardarla. Guarde la motosierra en el interior, en un lugar seco y cerrado con llave, o inaccesible a los niños.
- Evite que la unidad entre en contacto con agentes corrosivos como las sustancias químicas para el jardín y las sales para derretir el hielo.

CORRECCIÓN DE PROBLEMAS

PROBLEMA	CAUSA	SOLUCIÓN
La barra y la cadena están muy calientes y despiden humo.	<ol style="list-style-type: none">1. Revise la tensión de la cadena para ver si es excesiva.2. Está vacío el tanque de aceite de la cadena.	<ol style="list-style-type: none">1. Tensión de la cadena. Consulte el apartado Tensado de la cadena, más arriba en este manual.2. Revise el tanque de aceite.
El motor funciona pero la cadena no avanza.	<ol style="list-style-type: none">1. Demasiada tensión en la cadena.2. Revise el conjunto de la barra guía y la cadena.3. Revise la barra guía y la cadena para ver si están dañados.	<ol style="list-style-type: none">1. Vuelva a tensar la cadena. Consulte el apartado Tensión de la cadena, más arriba en este manual.2. Consulte el apartado Montaje de la barra y de la cadena, más arriba en este manual.3. Inspeccione la barra guía y la cadena para ver si están dañados.



LLÁMENOS PRIMERO

Si tiene preguntas sobre el funcionamiento o el mantenimiento este producto, llame al teléfono de atención al consumidor de Ryobi®!

La recortadora ha sido probada enteramente antes de embarcarse para asegurar la satisfacción del consumidor.

GARANTÍA

DECLARACIÓN DE LA GARANTÍA LIMITADA

Techtronic Industries North America, Inc. garantiza al comprador original al menudeo que este producto de la marca RYOBI® carece de defectos en los materiales y en la mano de obra, y acuerda reparar o reemplazar, a la sola discreción de Techtronic Industries North America, Inc., cualquier producto defectuoso, sin cargo alguno al comprador, dentro de los siguientes períodos de tiempo a partir de la fecha de compra.

- Tres años si los productos se emplean para uso personal, familiar o casero;
- 90 días si el producto se emplea para cualquier otro propósito, como el uso comercial o el de alquiler.

Esta garantía se otorga solamente al comprador original al menudeo, y comienza en la fecha de la compra original al menudeo.

Cualquier parte de este producto Techtronic Industries North America, Inc. que, a juicio razonable de la compañía, tenga defectos en los materiales o en la mano de obra, será reparado o reemplazado por un centro de servicio autorizado de herramientas para uso en el exterior de la marca RYOBI®, sin cargo alguno al comprador por concepto de piezas y mano de obra (Centro de Servicio Autorizado Ryobi).

El producto, incluida toda pieza defectuosa, debe enviarse a un centro de servicio autorizado Ryobi dentro del período de la garantía. El gasto de enviar el producto al centro de servicio para cualquier trabajo cubierto por la garantía, así como el gasto de devolverlo al propietario después de la reparación, correrán por cuenta del propietario. La responsabilidad de Techtronic Industries North America, Inc. con respecto a todo reclamo se limita a las reparaciones o reemplazo del producto, y ningún reclamo de incumplimiento de la garantía será causante de la cancelación o rescisión del contrato de venta de ninguna herramienta de uso en el exterior de la marca RYOBI®. En el establecimiento se requerirá el recibo de compra para respaldar cualquier reclamo al amparo de la garantía. Todo trabajo cubierto en la garantía debe ser realizado por un concesionario de servicio autorizado.

Esta garantía se limita a noventa (90) días a partir de la fecha original de la compra de cualquier herramienta de uso en el exterior de la marca RYOBI® empleada para propósitos comerciales o de alquiler, o cualquier otro propósito generador de ingresos.

Esta garantía no cubre ningún producto que haya sido sujeto a un uso indebido, maltrato, negligencia o accidente, o que haya sido utilizado de cualquier forma contraria a las instrucciones de manejo especificadas en el manual del operador del producto. Esta garantía no aplica a ningún daño en el producto que resulte de un mantenimiento indebido ni a ningún producto que haya sido alterado o modificado. La garantía no cubre ninguna reparación necesaria por el uso normal ni por el uso de piezas o accesorios que sean incompatibles con la herramienta para uso exterior de la marca RYOBI®, o afecten de forma desfavorable su funcionamiento, desempeño o durabilidad.

Además, esta garantía no cubre:

A. Afinación – Bujías, carburador, ajustes del carburador, encendido, filtros

B. Artículos sujetos a desgaste – Perillas de tope, carretes exteriores, hilos de corte, carretes interiores, poleas del arrancador, cuerdas del arrancador, correas de transmisión, aspas, arandelas de fieltro y pasadores de enganche, hojas de triturar, ventiladores de sopladoras, tubos de sopladoras y de aspiradoras, sacos y correas de aspiradoras, barras guía y cadenas de sierras

Techtronic Industries North America, Inc. se reserva el derecho a cambiar o mejorar el diseño de cualquier herramienta para uso en el exterior de la marca RYOBI® sin asumir ninguna obligación de modificar ningún producto fabricado previamente.

TODAS LAS GARANTÍAS IMPLÍCITAS ESTÁN LIMITADAS EN DURACIÓN SEGÚN EL PERÍODO DE GARANTÍA DECLARADA. POR CONSIGUIENTE, CUALQUIER GARANTÍA IMPLÍCITA, INCLUSO LAS DE COMERCIABILIDAD, IDONEIDAD PARA UN PROPÓSITO EN PARTICULAR, O DE CUALQUIER TIPO, PIERDEN TOTALMENTE SU VALIDEZ DESPUÉS DEL VENCIMIENTO DEL PERÍODO DE GARANTÍA CORRESPONDIENTE DE TRES AÑOS O NOVENTA DÍAS. DE CONFORMIDAD CON ESTA GARANTÍA, LA OBLIGACIÓN DE TECHTRONIC INDUSTRIES NORTH AMERICA, INC. SE LIMITA ESTRICTA Y EXCLUSIVAMENTE A LA REPARACIÓN O REPLAZO DE LAS PIEZAS DEFECTUOSAS, Y TECHTRONIC INDUSTRIES NORTH AMERICA, INC. NO ASUME NINGUNA OTRA OBLIGACIÓN, NI AUTORIZA A NADIE ASUMIRLA A NOMBRE DE DICHA COMPAÑÍA. ALGUNOS ESTADOS NO PERMITEN LIMITACIONES EN CUANTO A LA DURACIÓN DE UNA GARANTÍA IMPLÍCITA, POR LO CUAL ES POSIBLE QUE LA LIMITACIÓN ANTERIOR NO SE APLIQUE EN EL CASO DE USTED. TECHTRONIC INDUSTRIES NORTH AMERICA, INC. NO ASUME NINGUNA RESPONSABILIDAD POR DAÑOS DIRECTOS, INDIRECTOS O DE NINGÚN OTRO TIPO, COMO EL GASTO DE ENVIAR EL PRODUCTO A UN CENTRO DE SERVICIO AUTORIZADO RYOBI Y EL GASTO DE ENVIARLO DE ALLÍ AL PROPIETARIO, EL TIEMPO DE VIAJE DEL MECÁNICO, CARGOS TELEFÓNICOS O TELEGRÁFICOS, ALQUILER DE UN PRODUCTO SUSTITUTO DURANTE EL TIEMPO DE REALIZACIÓN DEL SERVICIO DE LA GARANTÍA, VIAJES, PÉRDIDA O DAÑOS A OBJETOS DE PROPIEDAD PERSONAL, PÉRDIDA DE INGRESOS, PÉRDIDA DEL USO DEL PRODUCTO, PÉRDIDA DE TIEMPO O INCONVENIENTES. EN ALGUNOS ESTADOS NO SE PERMITE LA EXCLUSIÓN O LIMITACIÓN DE DAÑOS DIRECTOS O INDIRECTOS, POR LO CUAL ES POSIBLE QUE LA LIMITACIÓN O EXCLUSIÓN DESCRITA ARRIBA NO SE APLIQUE EN SU CASO.

Esta garantía le confiere derechos legales específicos, y es posible que usted goce de otros derechos, los cuales pueden variar de estado a estado.

Esta garantía se aplica a todas las herramientas para uso en el exterior de la marca RYOBI® fabricadas por Techtronic Industries North America, Inc. y vendidos en Estados Unidos y Canadá.

Para encontrar el centro de servicio autorizado Ryobi más cercano a usted, llame al 1-800-860-4050.



OPERATOR'S MANUAL
MANUEL D'UTILISATION / MANUAL DEL OPERADOR
18 VOLT CHAIN SAW
SCIE À CHAÎNE DE 18 V / MOTOSIERRA DE 18 V

P546

CALIFORNIA PROPOSITION 65

⚠ WARNING:

This product and substances that may become airborne from its use may contain chemicals, including lead, known to the State of California to cause cancer, birth defects, or other reproductive harm.
Wash hands after handling.

PROPOSITION 65 DE L'ÉTAT DE CALIFORNIE

⚠ AVERTISSEMENT :

Ce produit et les autres substances rejetées dans l'air suite à son utilisation peuvent contenir des produits chimiques, notamment du plomb qui, selon l'État de la Californie, peuvent causer le cancer, des anomalies congénitales et d'autres dommages au système reproducteur. **Bien se laver les mains après toute manipulation.**

CALIFORNIA - PROPUESTA DE LEY NÚM. 65

⚠ ADVERTENCIA:

Este producto y las sustancias que puedan llegar a ser aerotransportadas por su uso pueden contener sustancias químicas (incluido el plomo) reconocidas por el estado de California como causantes de cáncer, defectos congénitos y otras afecciones del aparato reproductor. **Lávese las manos después de utilizar el aparato.**

RYOBI is a registered trademark of Ryobi Limited and is used pursuant to a license granted by Ryobi Limited.

RYOBI est une marque déposée de Ryobi Limited et est utilisée en vertu d'une licence accordée par Ryobi Limited.

RYOBI es una marca registrada de Ryobi Limited y se utiliza conforme a una licencia otorgada por Ryobi Limited.

• **PARTS AND SERVICE:** Prior to requesting service or purchasing replacement parts, please obtain your item, manufacturing, and serial numbers from the product data plate.

ITEM NO. _____

MANUFACTURING NO. _____

SERIAL NO. _____

HOW TO OBTAIN REPLACEMENT PARTS: Replacement parts can be purchased online at www.ryobitools.com or by calling 1-800-860-4050. Replacement parts can also be obtained at one of our service centers.

HOW TO LOCATE A SERVICE CENTER: Service centers can be located online at www.ryobitools.com or by calling 1-800-860-4050.

HOW TO OBTAIN CUSTOMER OR TECHNICAL SUPPORT: To obtain customer or technical support please contact us at 1-800-860-4050.

• • • • •

• **PIÈCES ET SERVICE :** Avant de faire la demande de service ou l'achat de pièces de remplacement, veuillez obtenir le numéro d'article, le numéro de fabrication et le numéro de série à partir de la plaque de données du produit.

NUMÉRO D'ARTICLE _____

NUMÉRO DE FABRICATION _____

NUMÉRO DE SÉRIE _____

COMMENT OBTENIR LES PIÈCES DE REMPLACEMENT : Les pièces de remplacement peuvent être achetées en ligne sur le site www.ryobitools.com ou par téléphone au 1-800-860-4050. Les pièces de remplacement peuvent être obtenues à un de nos centres de service.

COMMENT TROUVER UN CENTRE DE SERVICE : Les centres de service peuvent être localisés en ligne au www.ryobitools.com ou en téléphonant au 1-800-860-4050.

COMMENT OBTENIR DE L'AIDE EN CONTACTANT LE SERVICE À LA CLIENTÈLE : Pour contacter le service à la clientèle pour une question technique ou pour tout autre renseignement, veuillez nous téléphoner au 1-800-860-4050.

• • • • •

• **PIEZAS DE REPUESTO Y SERVICIO:** Antes de solicitar servicio técnico o comprar piezas de repuesto, obtenga su número de artículo, el número de fabricación y el número de serie de la placa de datos del producto.

NÚMERO DE ARTÍCULO _____

NÚMERO DE FABRICACIÓN _____

NÚMERO DE SERIE _____

CÓMO OBTENER PIEZAS DE REPUESTO: Las piezas de repuesto se pueden comprar en nuestro sitio en la red mundial, en la dirección www.ryobitools.com o llamando al 1-800-860-4050. Las piezas de repuesto también se pueden obtener en uno de nuestros centros de servicio.

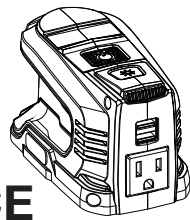
CÓMO LOCALIZAR UN CENTRO DE SERVICIO: Puede encontrar los centros de servicio visitando nuestro sitio en la red mundial, en la dirección www.ryobitools.com or by calling 1-800-860-4050.

CÓMO OBTENER SERVICIO O ASISTENCIA TÉCNICA AL CONSUMIDOR: Para obtener servicio o asistencia técnica al consumidor, sírvase comunicarse con nosotros llamando al 1-800-860-4050.

TECHTRONIC INDUSTRIES POWER EQUIPMENT

1428 Pearman Dairy Road, Anderson, SC 29625 USA

1-800-860-4050 • www.ryobitools.com



18 VOLT POWER SOURCE

IMPORTANT SAFETY INSTRUCTIONS

⚠ WARNING!
READ AND UNDERSTAND ALL INSTRUCTIONS. Failure to follow all instructions listed below may result in electric shock, fire and/or serious injury.

■ **SAVE THESE INSTRUCTIONS** - This manual contains important safety and operating instructions for power source model RYi150BG.

NOTICE:
 This product's AC receptacle has a non-sinusoidal output and is not recommended for use with certain types of sensitive electronics. Please refer to your product Operator's Manual.

- **For use with RYOBI 18 V battery packs, see tool/appliance/ battery pack/charger correlation supplement 987000-432.**
- **Do not expose the power source to rain or wet conditions.** Water entering the power source will increase the risk of electric shock.
- **Do not use the power source if it has been dropped or received a sharp blow.** A damaged power source will increase the risk of fire.
- **Remove the battery pack from the power source when not in use.**
- **This product is for indoor use only.**
- **Do not disassemble the power source.**
- **To reduce the risk of injury, close supervision is necessary when an appliance is used near children.**
- **Store power source indoors and away from children.**
- **As with all electrical devices, use caution when plugging/unplugging other devices into this unit.** Do not force plugs into this unit.
- **If this unit is used in a manner not specified by the manufacturer,** the protection provided by this equipment may be impaired.
- **Do not overload the power source.** It must be used for powering devices less than the product rating.
- **Two- or three-prong plugs may be used with this product.** Do not force a polarized plug (one prong larger than the other) into this product. Flip plug over and retry.
- **Never block air vents.** Blocked vents may cause overheating. Power source will automatically shut off when overheated.
- **Keep power source cool.** Do not place near heat vents or in direct sunlight.
- **Do not use the power source around flammable fumes and gasses, such as in the bilge of a boat or near propane tanks.**
- **Do not put foreign objects into the power source.**

- **Operate this product using only the AC power type listed in the product specifications.**
- **This unit should never be hard wired into a circuit.**
- **Do not power life support devices or other necessary medical equipment with this power source.**
- **Save these instructions.** Refer to them frequently and use them to instruct others who may use this product. If you loan someone this product, loan them these instructions also.

PRODUCT SPECIFICATIONS

Watts	150 Watts Continuous
DC Input	18 Volts DC
AC Output	120 Volts, 1.25 Amps
USB Output	5 Volt (2.4 Amp) DC
Output Wave Form	Modified Sine Wave

OPERATION

APPLICATIONS

You may use this product for the following purposes:

- Operating and charging USB-powered devices
- Supplying electrical power for operating compatible small electronics such as cell phones, tablets, laptops, LED lights, small fans, radios, etc.

NOTE: This device is not compatible for use with appliances, power tools, air conditioners, sump pumps, compressors, and/or other larger electrical devices.

INSTALLING/REMOVING BATTERY PACK

See Figure 1.

- **To install:** insert a battery pack into the power source as shown. Make sure the latches on the battery pack snap into place and the battery pack is secured in the power source before beginning operation.
- **To remove:** depress the latches on the battery pack.

USING THE POWER SOURCE

See Figure 2.

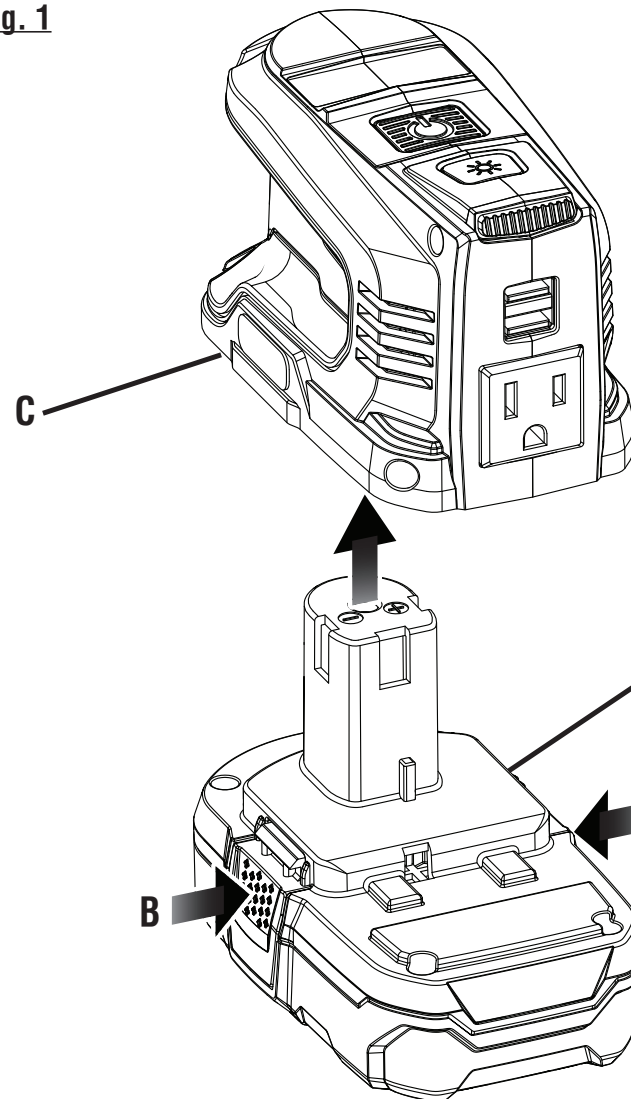
When a battery pack is installed, this power source converts DC electricity to 120V AC household power and/or 5 volt DC USB (up to 2.4 amp) charging power, allowing the user to charge and power a variety of devices.

⚠ WARNING:
Risk of electric shock. When using a grounded appliance this tool will not provide an electrical path to earth ground. Do not power devices with damaged or frayed power cords.

- Insert a battery pack into the power source.
- Press the power button (⏻) to turn the power source **ON**. The LED will light up green when ready to use.
- Plug devices you want to power or charge into the power source's USB ports and/or 120 volt receptacle.
 - If the power button LED blinks red then turns off, the power source may be overloaded. Disconnect your device, make sure your battery pack is sufficiently charged to power your device, then press the button to turn the power source back on. Reconnect your device and try again. If the fault condition immediately reoccurs, the item being powered exceeds the capacity of the power source.

ILLUSTRATIONS / ILLUSTRÉES / ILUSTRADAS

Fig. 1



- A - Battery pack (not included) [bloc-piles (non inclus), paquete de baterías (no suministrado)]
- B - Depress latches to release battery pack (appuyer sur les loquets pour libérer le bloc-piles, para soltar el paquete de baterías oprima los pestillos)
- C - Power source (bloc d'alimentation, fuente de alimentación)

- If the power button LED turns red but does not shut down the power source, the power source is overheated. Allow the unit to cool until the LED turns green, then try again.
- To use the worklight, press the light button (☼). Press the light button again to turn the worklight off.

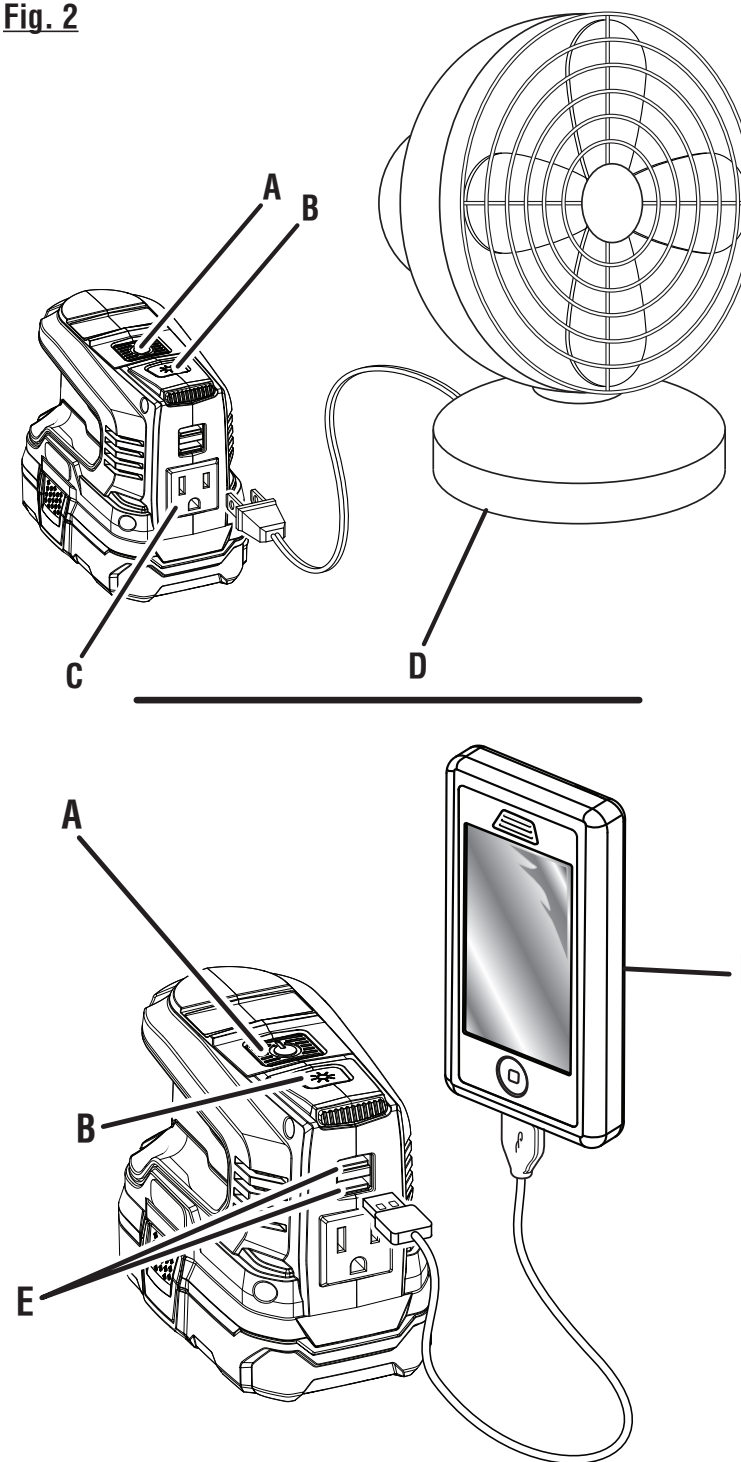
NOTE: The power source must be on for the worklight to function.
- When finished, disconnect your device and press the power button indicator (⏻) again to turn off the power source.

NOTE: When needed, an internal cooling fan will run to regulate the unit's operating temperature. If running, always wait for the fan to stop before you disconnect the battery pack from the power source.

WARRANTY

This product has a **Three-year Limited Warranty for personal, family, or household use (90 days for business or commercial use).** For warranty details, visit www.ryobitools.com or call (toll free) 1-800-860-4050.

Fig. 2



- A - Power button (bouton d'alimentation, botón de encendido)
- B - Light button (bouton de lumière, botón de luz)
- C - 120 V receptacle (réceptacle 120 V, receptáculo de 120 voltios)
- D - AC product to be powered (not provided) [produit à alimenter (non fourni), producto de CA para ser alimentado (no provisto)]
- E - 2.4 amp USB ports (ports USB 2,4 A, puertos USB de 2,4 A)
- F - USB product to be charged (not provided) [produit USB à charger (non fourni), producto USB a cargar (no provisto)]

TECHTRONIC INDUSTRIES POWER EQUIPMENT

P.O. Box 1288, Anderson, SC 29622, USA
 1-800-860-4050 ■ www.ryobitools.com

MANUEL D'UTILISATION

BLOC D'ALIMENTATION DE 18 V

INSTRUCTIONS IMPORTANTES CONCERNANT LA SÉCURITÉ

⚠ AVERTISSEMENT !**LIRE ATTENTIVEMENT TOUTES LES INSTRUCTIONS.**

Le non-respect de toutes les instructions ci-dessous peut entraîner un choc électrique, un incendie et/ou des blessures graves.

- **CONSERVER CES INSTRUCTIONS** - Ce manuel renferme des instructions de sécurité et de fonctionnement importantes pour le modèle de bloc d'alimentation no RY1150BG.

AVIS :

Le réceptacle CA de ce produit est équipé d'une sortie non sinusoïdale et son utilisation n'est pas recommandée pour certains appareils électroniques sensibles. Veuillez consulter le manuel d'utilisation des appareils.

- **Pour utiliser l'appareil avec des piles au RYOBI de 18 V, consulter le supplément de raccordement pour chargeur/outils/piles/appareil n° 987000-432.**

- **Ne pas exposer le bloc d'alimentation à la pluie ou à l'humidité.** L'infiltration d'eau dans le bloc d'alimentation accroît le risque de décharge électrique.

- **Ne pas utiliser un bloc d'alimentation ayant été échappée ou ayant subi un impact important.** Un bloc d'alimentation endommagé accroît le risque d'incendie.

- **Débrancher le bloc-piles du bloc d'alimentation dès la fin de l'utilisation.**

- **Ce produit est conçu pour être utilisé uniquement à l'intérieur.**

- **Ne pas démonter le bloc d'alimentation.**

- **Pour réduire le risque de blessures, une bonne surveillance est nécessaire quand un appareil est utilisé à proximité des enfants.**

- **Ranger les blocs d'alimentation à l'intérieur et hors de la portée des enfants.**

- **Comme c'est le cas avec tous les dispositifs électriques, agir avec précaution au moment de brancher d'autres dispositifs dans cette unité et de les en débrancher.** Ne pas forcer les fiches à s'insérer dans cette l'unité.

- **Si cet appareil n'est pas utilisé conformément aux instructions du fabricant,** le dispositif de protection fourni avec cet appareil peut s'endommager.

- **Ne pas surcharger le bloc d'alimentation.** Il doit être utilisé pour alimenter des dispositifs dotés d'une puissance inférieure à la sienne.

- **Il est possible d'utiliser des fiches à deux ou à trois branches avec ce produit.** Ne pas insérer de force une fiche polarisée (une branche plus grande que l'autre) dans le produit. Retourner la fiche et essayer de nouveau.

- **Ne jamais bloquer les fentes d'aération.** Des fentes d'aérations bloquées peuvent provoquer une surchauffe. Le bloc d'alimentation s'éteindra automatiquement lors d'une surchauffe.

- **Garder le bloc d'alimentation au frais.** Ne pas placer près des bouches d'air de chaleur ou sous les rayons directs du soleil.

- **Ne pas utiliser le bloc d'alimentation près des flammes et gaz inflammables comme celles trouvées dans le fond de cale des bateaux ou près des réservoirs de propane.**

- **Ne pas insérer aucun objet dans le bloc d'alimentation.**

- **Utiliser ce produit uniquement avec le type d'alimentation c.a. mentionnée dans les spécifications du produit.**

- **Cet appareil ne doit jamais être raccordé de façon permanente à un circuit.**

- **Ne pas faire fonctionner des dispositifs d'entretien artificiel de la vie ou d'autres équipements médicaux avec cet outil.**

- **Conserver ces instructions.** Les consulter fréquemment et les utiliser pour instruire d'autres utilisateurs. Si cet outil est prêt, il doit être accompagné de ces instructions.

FICHE TECHNIQUE

Watts 150 W continus

Entrée en CC 18 V CC

Sortie en CA 120 V, 1,25 A

Sortie USB 5 V CC, (2,4 A)

Forme d'onde de sortie Onde sinusoïdale modifiée

UTILISATION

APPLICATIONS

Ce bloc d'alimentation peut être utilisé pour les besoins suivants :

- Faire fonctionner ou charger les dispositifs avec USB

- Fournir un courant électrique pour faire fonctionner une des petits appareils électroniques comme les téléphones mobiles, les tablettes, les ordinateurs portables, les lumières à DEL, les petits ventilateurs, les radios, etc.

NOTE : Cet appareil ne peut être utilisé avec les appareils électroménagers, les outils électriques, les appareils de climatisation, les pompes de puisard et (ou) d'autres appareils électriques plus gros.

INSTALLATION ET RETRAIT DU BLOC-PILES

Voir la figure 1.

- **Installation :** Insérer le bloc-piles dans le bloc d'alimentation, comme illustré. S'assurer que les loquets du bloc-piles s'enclenchent correctement et que le bloc-piles est sécurisé au bloc d'alimentation avant de mettre sous tension.

- **Retrait :** Appuyer sur les loquets du bloc-piles.

UTILISATION DU BLOC D'ALIMENTATION

Voir la figure 2.

Lorsque le bloc-pile est installée, le bloc d'alimentation convertit l'électricité CC en une alimentation domestique CA de 120 V et / ou de 5 VCC USB (jusqu'à 2,4 A) pour de charger ou de faire fonctionner une variété de dispositifs.

⚠ AVERTISSEMENT :

Risque de décharge électrique. Lorsqu'on utilise un appareil mis à la terre, cet outil ne fournit pas le passage électrique vers la prise de terre. Ne pas faire fonctionner des dispositifs don't les cordons sont endommagés ou éraillés.

- Insérer le bloc-piles dans le bloc d'alimentation.

- Appuyer sur le bouton d'alimentation (⏻) pour mettre le bloc d'alimentation sous tension. Le témoin DEL sera allumé et de couleur verte lorsqu'elle est prêt à être utilisé.

- Brancher les dispositifs aux ports USB et au réceptacle de 120 V du bloc d'alimentation pour les mettre sous tension ou les charger.

- Si le voyant DEL du bouton d'alimentation clignote en rouge puis s'éteint, le bloc d'alimentation est peut-être en surcharge. Débrancher l'appareil, s'assurer que le bloc-piles est suffisamment chargé pour alimenter l'appareil, puis appuyer sur le bouton pour remettre le bloc d'alimentation sous tension. Rebrancher l'appareil et essayer de nouveau. Si la défaillance se reproduit immédiatement, l'article qui est alimenté excède la capacité du bloc d'alimentation.

- Si le voyant DEL du bouton d'alimentation devient rouge, mais que l'alimentation n'est pas coupée, le bloc d'alimentation surchauffe. Laisser refroidir l'appareil jusqu'à ce que le voyant DEL devienne vert, puis essayer de nouveau.

- Pour allumer la lampe de travail, appuyer sur le bouton de lumière (☼). Appuyer sur le bouton de nouveau pour éteindre la lampe de travail.

NOTE : Le bloc d'alimentation doit être mis sous tension pour que la lampe de travail fonctionne.

- Lorsque vous avez terminé, débrancher le dispositif et appuyez à nouveau sur le bouton d'alimentation (⏻) pour éteindre le bloc d'alimentation.

NOTE : Lorsque nécessaire, un ventilateur de refroidissement interne fonctionnera pour réguler la température de fonctionnement de l'appareil. S'il est en fonction, toujours attendre que le ventilateur arrête avant de débrancher le bloc-piles du bloc d'alimentation.

GARANTIE

Ce produit est accompagné d'une garantie limitée de trois (3) ans pour utilisation personnel, familiales ou domestiques (90 jours pour utilisation affaires ou commerciaux). Pour obtenir les détails de la garantie, visiter le site www.ryobitools.com ou appeler (sans frais) au 1-800-860-4050.

Español

MANUAL DEL OPERADOR FUENTE DE ALIMENTACIÓN DE 18 V

INSTRUCCIONES DE SEGURIDAD IMPORTANTES

⚠ ¡ADVERTENCIA!

LEA Y COMPRENDA TODAS LAS INSTRUCCIONES. El incumplimiento de las instrucciones señaladas abajo puede causar descargas eléctricas, incendios y lesiones serias.

- **GUARDE ESTAS INSTRUCCIONES** - Este manual contiene importantes instrucciones operativas y de seguridad para el fuente de alimentación modelo RY1150BG.

AVISO:

Este receptáculo de CA para productos tiene una salida no sinusoidal y se recomienda usarlo con determinados tipos de dispositivos electrónicos especialmente sensibles. Consulte los manuales del operador de sus aparatos.

- **Para utilizar con paquetes de baterías de RYOBI de 18 V, consulte el folleto de la herramienta/aparato/ paquete de baterías/cargador complementario 987000-4032.**

- **No exponga la fuente de alimentación a la lluvia o a condiciones húmedas.** La introducción de agua en la fuente de alimentación aumenta el riesgo de descargas eléctricas.

- **No utilice la fuente de alimentación si se ha caído o si recibió un golpe certero.** Una fuente de alimentación dañada aumenta el riesgo de incendio.

- **Retire el paquete de baterías de la fuente de alimentación cuando no esté en uso.**

- **Este producto está concebido para uso en el interior únicamente.**

- **No desarme el fuente de alimentación.**

- **Para reducir el riesgo de lesiones, se requiere una estrecha supervisión cuando se use el aparato cerca de niños.**

- **Guarde los fuentes de alimentación bajo techo y lejos del alcance de los niños.**

- **Como con todos los aparatos eléctricos, sea cauteloso al conectar o desconectar otros aparatos a esta unidad.** No fuerce los enchufes en esta unidad.

- **Si esta unidad se utiliza de un modo que no sea el especificado por el fabricante, la protección proporcionada por este equipo puede verse afectada.**

- **No sobrecargue la fuente de alimentación.** Se debe usar para potenciar aparatos menores a la clasificación del producto.

- **De dos o tapones de tres puntas se puede utilizar con este producto.** No fuerce un enchufe polarizado (una clavija más grande que la otra) en este producto. Voltear enchufe e inténtelo de nuevo.

- **Nunca bloquee los orificios de ventilación.** Si se bloquean los orificios de ventilación, la unidad se puede sobrecalentar. El fuente de alimentación se apagará automáticamente en caso de sobrecalentamiento.

- **Mantenga el fuente de alimentación frío.** No coloque la unidad cerca de los orificios de ventilación o bajo la luz directa del sol.

- **No utilice el fuente de alimentación cerca de humos y gases inflamables como en la sentina de una embarcación o cerca de tanques de propano.**

- **No coloque objetos extraños en el interior del fuente de alimentación.**

- **Utilice este producto sólo con el tipo de alimentación de CA que figuran en las especificaciones del producto.**

- **Esta unidad nunca se debe conectar permanentemente a un circuito.**

- **No alimente dispositivos de soporte vital ni otros equipos médicos necesarios con esta herramienta.**

- **Guarde estas instrucciones.** Consúltelas con frecuencia y empléelas para instruir a otras personas que puedan utilizar esta herramienta. Si presta a alguien esta herramienta, facilítele también las instrucciones.

ESPECIFICACIONES DEL PRODUCTO

Vatios..... 150 vatios continuos

Entrada de CC..... 18 voltios CC

Salida de CA..... 120 voltios, 1,25 amperios

Salida USB5 voltios (2,4 A) CC

Forma de onda de salida.....Onda sinusoidal modificada

FUNCIONAMIENTO

APLICACIONES

Esta herramienta puede emplearse para los fines siguientes:

- Operación y carga de dispositivos con alimentación a través de USB
- Suministro de corriente eléctrica para el funcionamiento de dispositivos electrónicos pequeños, como celulares, tablets, laptops, luces LED, ventiladores pequeños, radios, etc.

NOTA: Este dispositivo no es compatible con electrodomésticos, herramientas eléctricas, acondicionadores

de aire, bombas de pozo séptico, compresores u otros dispositivos eléctricos grandes.

INSTALACIÓN/EXTRACCIÓN DEL PAQUETE DE BATERÍAS

Vea la figura 1 el otro lado.

- **Para instalar:** inserte un paquete de baterías en la fuente de alimentación como se muestra en la figura. Asegúrese de que los pestillos del paquete de baterías se encastran en su lugar y que el paquete de baterías esté asegurado en la fuente de alimentación antes de comenzar el funcionamiento.

- **Para extraer:** presione los pestillos del paquete de baterías.

USO DEL FUENTE DE ALIMENTACIÓN

Vea la figura 2 el otro lado.

Cuando se instale un paquete de baterías, el fuente de alimentación eléctrico convierte electricidad de CC a CA de 120 voltios y/o de 5 voltios USB (hasta 2,4 amperios) para permitir que el usuario cargue y alimente diversos dispositivos.

⚠ ADVERTENCIA:

Riesgo de descarga eléctrica. Cuando utilice un artefacto conectado a tierra, esta herramienta no proporcionará una ruta eléctrica a la toma de tierra. No alimente dispositivos que tengan cables de alimentación dañados o desgastados.

- Inserte un paquete de baterías en la fuente de alimentación.

- Presione el botón de encendido (⏻) para encender el fuente de alimentación. La luz LED será de color verde cuándo está listo para usar.

- Enchufe los dispositivos que quiera alimentar y/o cargar en los puertos USB y/o en el receptáculo de 120 voltios del fuente de alimentación.

- Si la LED del botón de encendido destella con color rojo y luego se apaga, es posible que la fuente de alimentación esté sobrecargada. Desconecte el dispositivo, asegúrese de que el paquete de la batería tenga suficiente carga para alimentarlo y presione el botón para volver a encender la fuente de alimentación. Vuelva a conectar el dispositivo e intente de nuevo. Si la falla vuelve a ocurrir, significa que el dispositivo excede la capacidad de la fuente de alimentación.

- Si la LED del botón de encendido pasa a color rojo, pero no apaga la fuente de alimentación, significa que esta está demasiado caliente. Deje que se enfrie hasta que la LED pase a verde y vuelva a intentarlo.

- Para encender la lámpara de trabajo, presione el botón de luz (☼). Presione el botón nuevamente para apagar la luz.

NOTE: Para que la luz de trabajo funcione, la fuente de alimentación debe estar encendida.

- Cuando haya terminado, desconecte el dispositivo y presione el botón de encendido (⏻) para apagar la fuente de alimentación.

NOTA: Cuando sea necesario, funcionará un ventilador interno de refrigeración para regular la temperatura operativa de la unidad. Si se enciende el ventilador, espere siempre a que se detenga antes de desconectar el paquete de la batería de la fuente de alimentación.

GARANTÍA

Este producto tiene una garantía limitada de tres años para fines personales, familiares o domésticos (90 días para usos trabajo o comercial). Para obtener detalles sobre la garantía, diríjase a www.ryobitools.com o llame sin cargo al 1-800-860-4050.



REGISTER YOUR TOOLS
<http://register.ryobitools.com>
 1-800-525-2579

OPERATOR'S MANUAL

MANUEL D'UTILISATION
 MANUAL DEL OPERADOR

18 VOLT AREA LIGHT

LAMPE D'ÉCLAIRAGE DE SURFACE
 DE 18 V

LUZ DE ÁREA DE 18 V

P781

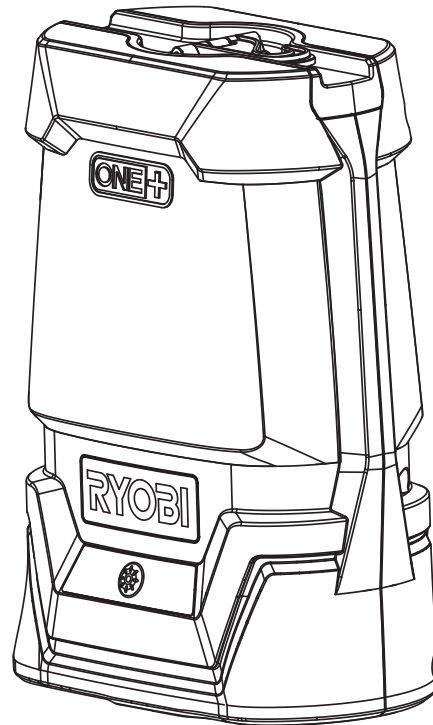


TABLE OF CONTENTS

- Important Safety Instructions2
- Symbols.....3
- Assembly.....3
- Features.....4
- Operation.....4-5
- Maintenance.....5
- Illustrations6
- Parts Ordering / Service Back Page

TABLE DES MATIÈRES

- Instructions importantes
concernant la sécurité2
- Symboles.....3
- Assemblage.....3
- Caractéristiques4
- Utilisation.....4-5
- Entretien5
- Illustrations6
- Commande de pièces /
réparation.....Page arrière

ÍNDICE DE CONTENIDO

- Instrucciones de seguridad
importantes2
- Símbolos3
- Armado.....3
- Características4
- Funcionamiento.....4-5
- Mantenimiento.....5
- Ilustraciones6
- Pedidos de piezas /
servicio..... Pág. posterior

⚠ WARNING: To reduce the risk of injury, the user must read and understand the operator's manual before using this product.

⚠ AVERTISSEMENT : Pour réduire les risques de blessures, l'utilisateur doit lire et veiller à bien comprendre le manuel d'utilisation avant d'employer ce produit.

⚠ ADVERTENCIA: Para reducir el riesgo de lesiones, el usuario debe leer y comprender el manual del operador antes de usar este producto.

SAVE THIS MANUAL FOR FUTURE REFERENCE

CONSERVER CE MANUEL POUR FUTURE RÉFÉRENCE

GUARDE ESTE MANUAL PARA FUTURAS CONSULTAS

IMPORTANT SAFETY INSTRUCTIONS

WARNING!

READ AND UNDERSTAND ALL INSTRUCTIONS. Failure to follow all instructions listed below, may result in electric shock, fire and/or serious personal injury.

WARNING!

When using electric appliances, basic precautions should always be followed, including the following:

- **Read all the instructions before using the appliance.**
- **To reduce the risk of injury, close supervision is necessary when an appliance is used near children.**
- **Do not use outdoors.**
- **To reduce the risk of electrical shock, do not put area light or charger in water or other liquid.** Do not place or store appliance where it can fall or be pulled into a tub or sink.
- **Use only the charger supplied by the manufacturer to recharge.**
- **Use battery only with charger listed.** For use with 18 V nickel-cadmium and 18 V lithium-ion battery packs, see tool/appliance/battery pack/charger correlation supplement 987000-432.
- **Use only recommended battery pack.** Any attempt to use another battery pack will cause damage to your area light and could possibly explode, cause a fire, or personal injury.
- **Remove battery pack from area light before performing any routine maintenance or cleaning.**
- **Do not disassemble the area light.**
- **Do not place area light or battery pack near fire or heat.** They may explode. Also, **do not** dispose of a worn out battery pack by incinerating. Do not incinerate the battery, even if it is severely damaged or completely worn out. The battery may explode in fire.
- **Do not operate area light or charger near flammable liquids or in gaseous or explosive atmospheres.** Internal sparks may ignite fumes.
- **Do not store your area light in a damp or wet location. Do not store in locations where the temperature is less than 50°F or more than 100°F.** Do not store in outside sheds or in vehicles.
- **Do not permit children to use area light, lens, and surrounding housing.**

- **Keep light dry, clean, and free from oil and grease.** Always use a clean cloth when cleaning. Never use brake fluids, gasoline, petroleum-based products, or any strong solvent to clean the area light.
- **Don't expose area light to rain.** Water entering a power tool will increase the risk of electric shock or malfunction.
- **Do not overreach. Keep proper footing and balance at all times.** Proper footing and balance enable better control of the area light in unexpected situations. Do not use on a ladder or unstable support.

AREA LIGHT USE AND CARE

- **This product is for household use only.**
- **Store area light out of the reach of children and other untrained persons.** Flashlights are dangerous in the hands of untrained users.
- **Do not use or permit use of area light in bed or sleeping bags.** This area light lens can melt fabric and a burn injury could result.




SAFETY RULES FOR AREA LIGHT

- **Always remove battery pack before storing the device.**
- **Under extreme usage or temperature conditions, battery leakage may occur.** If liquid comes in contact with your skin, wash immediately with soap and water. If liquid gets in your eyes, flush them with clean water for at least 10 minutes, then seek immediate medical attention.
- **Batteries can explode in the presence of a source of ignition, such as a pilot light.** To reduce the risk of serious personal injury, never use any cordless product in the presence of open flame. An exploded battery can propel debris and chemicals. If exposed, flush with water immediately.
- **Do not crush, drop or damage battery pack. Do not use a battery pack or charger that has been dropped or received a sharp blow.** A damaged battery is subject to explosion. Properly dispose of a dropped or damaged battery immediately. Failure to heed this warning can result in serious personal injury.
- **Save these instructions.** Refer to them frequently and use them to instruct others who may use this tool. If you loan someone this tool, loan them these instructions also.





SAVE THESE INSTRUCTIONS

SYMBOLS

The following signal words and meanings are intended to explain the levels of risk associated with this product.

SYMBOL	SIGNAL	MEANING
	DANGER:	Indicates an imminently hazardous situation, which, if not avoided, will result in death or serious injury.
	WARNING:	Indicates a potentially hazardous situation, which, if not avoided, could result in death or serious injury.
	CAUTION:	Indicates a potentially hazardous situation, which, if not avoided, may result in minor or moderate injury.
	NOTICE:	(Without Safety Alert Symbol) Indicates important information not related to an injury hazard, such as a situation that may result in property damage.

Some of the following symbols may be used on this product. Please study them and learn their meaning. Proper interpretation of these symbols will allow you to operate the product better and safer.

SYMBOL	NAME	DESIGNATION/EXPLANATION
	Safety Alert	Indicates a potential personal injury hazard.
	Read Operator's Manual	To reduce the risk of injury, user must read and understand operator's manual before using this product.
	Wet Conditions Alert	Do not expose to rain or use in damp locations.
	Recycle Symbols	This product uses nickel-cadmium (Ni-Cd) and lithium-ion (Li-ion) batteries. Local, state or federal laws may prohibit disposal of batteries in ordinary trash. Consult your local waste authority for information regarding available recycling and/or disposal options.
V	Volts	Voltage
W	Watts	Power
min	Minutes	Time
—	Direct Current	Type or a characteristic of current

ASSEMBLY

WARNING:

Do not use this product if it is not completely assembled or if any parts appear to be missing or damaged. Use of a product that is not properly and completely assembled or with damaged or missing parts could result in serious personal injury.

WARNING:

Do not attempt to modify this product or create accessories or attachments not recommended for use with this product. Any such alteration or modification is misuse and could result in a hazardous condition leading to possible serious personal injury.

If any parts are damaged or missing, please call 1-800-525-2579 for assistance.

FEATURES

PRODUCT SPECIFICATIONS

LED.....3 Watts Maximum
Light Output 330 Lumens

Maximum RuntimeApproximately 50 hours
USB Charging port1 A, 5 V

OPERATION

WARNING:

Do not direct the light beam at persons or animals and do not stare into the light beam yourself (not even from a distance). Staring into the light beam may result in serious injury or vision loss.

WARNING:

Do not allow familiarity with products to make you careless. Remember that a careless fraction of a second is sufficient to inflict serious injury.

WARNING:

Do not use any attachments or accessories not recommended by the manufacturer of this product. The use of attachments or accessories not recommended can result in serious personal injury.

APPLICATIONS

You may use this tool for the purpose listed below:

- General illumination of most work area spaces

INSTALLING/REMOVING BATTERY PACK

See Figure 1, page 6.

- Insert the battery pack into the product as shown.
- Make sure the latches on each side of the battery pack snap into place and the battery pack is secured before beginning operation.
- Depress the latches to remove the battery pack.

For complete charging instructions, see the operator's manuals for your battery pack and charger.

WARNING:

Battery products are always in operating condition. Therefore, remove the battery pack when the product is not in use or when carrying at your side.

TURNING THE AREA LIGHT ON/OFF

See Figure 2, page 6.

The area light has three settings: high, low, and off.

- Install the battery pack.
- **High:** Press the power button once.
- **Low:** Press the power button twice.
- **Off:** Press the power button a third time.

HANGING THE LED AREA LIGHT

See Figure 3, page 6.

WARNING:

Only hang or mount LED area light in an area where no electrical wires, utility cables, pipes, or other obstructions are located. Contact your local utility company or a qualified electrician if you are unsure. Do not hang area light from any electrical power cord. Ensure area light is securely installed to prevent falling object hazard. Failure to follow these instructions can result in electrocution, electrical shock, or other serious personal injury.

- Lift the J hook and rotate to the desired position for hanging.

NOTICE:

Do not attach anything other than the battery pack to the area light when it is hanging from the J hook.

- Be careful not to hang the area light in a position that prevents normal operation of the light.

USB DEDICATED CHARGING PORT

See Figure 4, page 6.

The USB dedicated charging port provides charging power of 5 Volts DC at up to 1 Amp for your cell phone, MP3 player, or other USB devices.

NOTICE:

Attempting to charge devices rated more than 1 Amp, such as a tablet, could damage the USB dedicated charging port and/or the device.

OPERATION

- Press the power button to turn the light on.
- Connect one end of a USB cable (not provided) to your USB device.
- Connect the other end of the USB cable (not provided) to the USB dedicated charging port to begin charging the device.
- The USB charging capability is active when the light is turned on. It will remain active for charging for 4 hours after the light has been turned off.
- If the light is turned off for 4 hours, the USB port will deactivate. To continue using the light for charging, turn the light on again.
- The light may then be turned off and used for an additional 4 hour charging period.

MAINTENANCE

WARNING:

When servicing, use only identical replacement parts. Use of any other parts may create a hazard or cause product damage.

WARNING:

To avoid serious personal injury, always remove the battery pack from the product when cleaning or performing any maintenance.

WARNING:

Do not at any time let brake fluids, gasoline, petroleum-based products, penetrating oils, etc., come in contact with plastic parts. Chemicals can damage, weaken or destroy plastic which may result in serious personal injury.

NOTICE:

The LED cannot be replaced. Any attempt to replace the LED may damage the light.

GENERAL MAINTENANCE

Avoid using solvents when cleaning plastic parts. Most plastics are susceptible to damage from various types of commercial solvents and may be damaged by their use.

STORAGE

Store indoors in a dry, locked up place, out of the reach of children, with the battery pack removed and USB devices disconnected. Keep away from corrosive agents such as garden chemicals and de-icing salts.

CALIFORNIA PROPOSITION 65

WARNING:

This product may contain chemicals, including lead, known to the State of California to cause cancer, birth defects or other reproductive harm. **Wash hands after handling.**

**NOTE: ILLUSTRATIONS START ON PAGE 6
AFTER FRENCH AND SPANISH LANGUAGE SECTIONS.**

INSTRUCTIONS IMPORTANTES CONCERNANT LA SÉCURITÉ

AVERTISSEMENT !

LIRE ET VEILLER À BIEN COMPRENDRE TOUTES LES INSTRUCTIONS. Le non-respect de toutes les instructions ci-dessous peut entraîner un choc électrique, un incendie et/ou des blessures graves.

AVERTISSEMENT !

Au moment d'utiliser les appareils électriques, les précautions de base doivent être prises, y compris ce qui suit :

- Lire toutes les instructions avant d'utiliser l'appareil.
- Pour réduire le risque de blessures, une bonne surveillance est nécessaire quand un appareil est utilisé à proximité des enfants.
- Ne pas utiliser à l'extérieur.
- Pour réduire le risque d'un choc électrique, ne pas mettre la projecteur ou le chargeur dans l'eau ou autre liquide. Ne pas placer ou entreposer l'appareil dans un endroit où il peut tomber ou être entraîné dans une baignoire ou un évier.
- N'utiliser que le chargeur fourni par le fabricant pour recharge.
- Ne recharger les piles qu'avec l'appareil indiqué. Pour utiliser l'appareil avec des piles au nickel-cadmium et au lithium-ion de 18 V, consulter le supplément de raccordement pour chargeur/outils/piles/appareil n° 987000-432.
- N'utiliser que le bloc-pile recommandé. L'utilisation de tout autre le bloc-pile endommagerait la projecteur et pourrait causer une explosion, un incendie et des blessures.
- Retirer le bloc de piles de la projecteur avant d'effectuer toute opération de nettoyage ou d'entretien.
- Ne pas démonter la projecteur.
- Ne pas placer la projecteur ou le bloc-pile à proximité de flammes ou d'une source de chaleur. Ils peuvent exploser. Également, ne pas incinérer une pile usée. Ne pas incinérer la pile, même si elle est complètement usée ou très endommagée. La pile peut exploser dans le feu.
- Ne pas utiliser projecteur ou le chargeur à proximité de liquides explosifs, en présence de gaz ou dans une atmosphère explosive. Les étincelles internes peuvent enflammer les vapeurs.
- Ne pas remiser la projecteur dans un endroit humide ou mouillé. Ne pas remiser dans des emplacements où la température est inférieure 10 °C (50 °F) à ou supérieure à 38 °C (100 °F). Ne pas remiser dans un remise extérieure ou dans un véhicule.
- Ne pas laisser des enfants utiliser la projecteur, lentille et el boîtier.
- Si la projecteur est enveloppée ou en contact avec un tissu, le diffuseur peut dégager une chaleur suffisante pour fondre certains tissus. Pour éviter des blessures graves, ne jamais laisser le diffuseur de la lampe entrer en contact avec quoi que ce soit.

- Garder la projecteur sèche, propre et exempte d'huile ou de graisse. Toujours utiliser un chiffon propre pour le nettoyage. Ne jamais utiliser de liquide de freins, d'essence, de produits à base de pétrole ou de solvants puissants pour nettoyer la lampe.
- Ne pas exposer la projecteur à la pluie. La pénétration d'eau dans des outils électriques accroît le risque de choc électrique ou de problèmes de fonctionnement.
- Ne pas travailler hors de portée. Toujours se tenir bien campé et en équilibre. Une bonne tenue et un bon équilibre permettent de mieux contrôler la lampe en cas de situation imprévue. Ne pas utiliser la lampe sur une échelle ou un support instable.

UTILISATION ET ENTRETIEN DE LA LAMPE D'ÉCLAIRAGE DE SURFACE

- Ce produit est pour usage domestique seulement.
- Ranger la projecteur hors de portée des enfants et des personnes n'ayant pas reçu de formation adéquate. Dans les mains de personnes n'ayant pas reçu des instructions adéquates, les lampes de torche sont dangereuses.
- Ne pas utiliser ou permettre l'utilisation de la lampe au lit ou dans un sac de couchage. Le diffuseur peut fondre certains tissus et causer des brûlures.




RÈGLES DE SÉCURITÉ POUR LAMPE D'ÉCLAIRAGE DE SURFACE

- Toujours retirer le bloc-piles avant d'entreposer le dispositif.
- Si l'outil est utilisé de façon intensive ou sous des températures extrêmes, des fuites de pile peuvent se produire. En cas de contact du liquide avec la peau, rincer immédiatement la partie atteinte avec de l'eau savonneuse. En cas d'éclaboussure dans les yeux, les rincer à l'eau fraîche pendant au moins 10 minutes, puis contacter immédiatement un médecin.
- Les piles peuvent exploser en présence d'une source d'allumage, telle qu'une veilleuse. Pour réduire les risques de blessures graves, ne jamais utiliser un appareil sans fil, quel qu'il soit, en présence d'une flamme vive. En explosant, une pile peut projeter des débris et des produits chimiques. En cas d'exposition, rincer immédiatement les parties atteintes avec de l'eau.
- Ne pas écraser, faire tomber ou endommager le bloc-pile. Ne jamais utiliser un bloc des piles ou un chargeur qui est tombé, a été écrasé, a reçu un choc violent ou a été endommagé de quelque façon que ce soit. Une pile endommagée risque d'exploser. Éliminer immédiatement toute pile endommagée, selon une méthode appropriée. Le non respect de cette mise en garde peut entraîner des blessures graves.
- Conserver ces instructions. Les consulter fréquemment et les utiliser pour instruire les autres utilisateurs éventuels. Si cet produit est prêté, il doit être accompagné de ces instructions.





CONSERVER CES INSTRUCTIONS

SYMBOLES

Les termes de mise en garde suivants et leur signification ont pour but d'expliquer le degré de risques associé à l'utilisation de ce produit.

SYMBOLE	SIGNAL	SIGNIFICATION
	DANGER:	Indique une situation extrêmement dangereuse qui, si elle n'est pas évitée, aura pour conséquences des blessures graves ou mortelles.
	AVERTISSEMENT :	Indique une situation potentiellement dangereuse qui, si elle n'est pas évitée, pourrait entraîner des blessures graves ou mortelles.
	ATTENTION :	Indique une situation potentiellement dangereuse qui, si elle n'est pas évitée, pourrait entraîner des blessures légères ou de gravité modérée.
	AVIS :	(Sans symbole d'alerte de sécurité) Indique une information importante ne concernant pas un risque de blessure comme une situation pouvant occasionner des dommages matériels.

Certains des symboles ci-dessous peuvent être utilisés sur produit. Veiller à les étudier et à apprendre leur signification. Une interprétation correcte de ces symboles permettra d'utiliser produit plus efficacement et de réduire les risques.

SYMBOLE	NOM	DÉSIGNATION / EXPLICATION
	Symbole d'alerte de sécurité	Indique un risque de blessure potentiel.
	Lire manuel d'utilisation	Pour réduire les risques de blessures, l'utilisateur doit lire et veiller à bien comprendre le manuel d'utilisation avant d'utiliser ce produit.
	Avertissement concernant l'humidité	Ne pas exposer à la pluie ou l'humidité.
	Symboles de recyclage	Ce produit utilise les piles de nickel-cadmium (Ni-Cd) ou lithium-ion (Li-ion). Les réglementations locales ou gouvernementales peuvent interdire de jeter les piles dans les ordures ménagères. Consulter les autorités locales compétentes pour les options de recyclage et/ou l'élimination.
V	Volts	Tension
W	Watts	Alimentation
min	Minutes	Temps
—	Courant continu	Type ou caractéristique du courant

ASSEMBLAGE

AVERTISSEMENT :

Ne pas utiliser le produit s'il n'est pas complètement assemblé ou si des pièces semblent manquantes ou endommagées. L'utilisation d'un produit dont l'assemblage est incorrect ou incomplet ou comportant des pièces endommagées ou absentes représente un risque de blessures graves.

AVERTISSEMENT :

Ne pas essayer de modifier cet outil ou de créer des pièces et accessoires non recommandés. De telles altérations ou modifications sont considérées comme un usage abusif et peuvent créer des conditions dangereuses, risquant d'entraîner des blessures graves.

Si des pièces manquent ou sont endommagées, veuillez appeler au 1-800-525-2579 pour obtenir de l'aide.

CARACTÉRISTIQUES

FICHE TECHNIQUE

DEL.....3 W maximum
Puissance lumineuse de sortie..... 330 Lumens

Autonomie maximum:approximative 50 heures
Port de charge USB1 A, 5 V

UTILISATION

AVERTISSEMENT :

Ne pas diriger le faisceau lumineux vers des personnes ou des animaux et ne pas fixer le faisceau (même à bonne distance). Le fait de fixer le faisceau peut causer des blessures graves et même entraîner la perte de la vue.

AVERTISSEMENT :

Ne pas laisser la familiarité avec l'outil faire oublier la prudence. Ne pas oublier qu'une fraction de seconde d'inattention peut entraîner des blessures graves.

AVERTISSEMENT :

Ne pas utiliser d'outils ou accessoires non recommandés par le fabricant pour cet outil. L'utilisation de pièces et accessoires non recommandés peut entraîner des blessures graves.

APPLICATIONS

Cet outil peut être utilisé pour l'application ci-dessous :

- Générale illuminer de la les espaces de travail

INSTALLATION/RETRAIT DU BLOC-PILES

Voir la figure 1, page 6.

- Insérer la bloc-piles dans l'outil tel qu'illustré.
- S'assurer que ses deux loquets latéraux s'engagent correctement et vérifier que le bloc-piles est solidement assujetti avant d'utiliser produit.
- Relâcher les loquets pour retirer le bloc-piles.

Pour prendre connaissance des consignes de chargement, consulter le manuel d'utilisation des piles et des chargeurs.

AVERTISSEMENT :

Les outils à piles sont toujours en état de fonctionnement. Pour ce faire, retirer le bloc-piles dès la fin de son utilisation ou lorsqu'il est transporté à côté du corps.

MISE EN MARCHÉ/ARRÊT DE LAMPE D'ÉCLAIRAGE DE SURFACE

Voir la figure 2, page 6.

Cette lampe d'éclairage de surface est équipée de trois intensités réglables : Élevée, faible et éteindre.

- Installer le bloc-piles.
- **Élevée** : Appuyer une fois sur le bouton.
- **Faible** : Appuyer deux fois sur le bouton.
- **Éteindre** : Appuyer une troisième fois sur le bouton.

SUSPENSION DE LA LAMPE D'ÉCLAIRAGE DE SURFACE DEL

Voir la figure 3, page 6.

AVERTISSEMENT :

Suspendre ou monter seulement la lampe d'éclairage de surface DEL à un endroit où aucun câble électrique, câble de service public, tuyau ou autre obstruction n'est présent. Communiquer avec l'entreprise de service public ou un électricien qualifié en cas de doute. Ne pas suspendre la lampe d'éclairage de surface à aucun câble d'alimentation électrique. S'assurer que la lampe d'éclairage de surface est fermement installée afin d'éviter la chute d'objets. Ne pas respecter ces instructions représente un risque de décharge électrique et autres blessures graves.

- Soulever le crochet en J et le tourner à la position de suspension désirée.

AVIS :

Ne pas fixer d'autres objets, sauf le bloc-piles, à la lampe d'éclairage de surface lorsqu'elle est suspendue par le crochet en J.

- Éviter de suspendre la lampe d'éclairage de surface de manière à nuire son fonctionnement normal.

UTILISATION

PRISE USB DÉDIÉE À LA CHARGE

Voir la figure 4, page 6.

Les prises USB pour la charge offrent une puissance de charge de 5 VCC et jusqu'à 1 ampère pour charger un téléphone cellulaire, un lecteur MP3 et d'autres dispositifs USB.

AVIS :

Toute tentative de charger des dispositifs de plus de 1 A, comme une tablette, risque d'endommager la prise USB dédiée à la charge et/ou le dispositif.

- Appuyer sur l'interrupteur pour allumer la lampe.
- Brancher une extrémité du câble USB (non inclus) au dispositif USB à charger.

- Brancher l'autre extrémité du câble USB (non inclus) à la prise USB dédiée à la charge pour commencer la charge du dispositif.
- La capacité de charge par USB est active lorsque la lampe est allumée. Cette fonction sera active pendant 4 heures une fois la lampe éteinte.
- La charge par prise USB se désactivera quand la lampe est éteinte après cette période de 4 heures. Rallumer la lampe pour continuer la charge du dispositif.
- La lampe peut être éteinte et utilisée afin d'obtenir 4 heures de charge additionnelles.

ENTRETIEN

AVERTISSEMENT :

Utiliser exclusivement des pièces d'origine pour les réparations. L'usage de toute autre pièce pourrait créer une situation dangereuse ou endommager l'produit.

AVERTISSEMENT :

Pour empêcher un démarrage accidentel pouvant entraîner des blessures graves, toujours retirer les piles de l'produit avant tout nettoyage ou entretien.

ENTRETIEN GÉNÉRAL

Éviter d'utiliser des solvants pour le nettoyage des pièces en plastique. La plupart des matières plastiques peuvent être endommagées par divers types de solvants du commerce. Utiliser un chiffon propre pour éliminer la saleté, la poussière, l'huile, la graisse, etc.

AVERTISSEMENT :

Ne jamais laisser de liquides tels que le fluide de freins, l'essence, les produits à base de pétrole, les huiles pénétrantes, etc., entrer en contact avec les pièces en plastique. Les produits chimiques peuvent endommager, affaiblir ou détruire le plastique, ce qui peut entraîner des blessures graves.

AVIS :

Les DEL ne sont pas remplaçables. Toute tentative de remplacement des DEL risque d'endommager le projecteur.

RANGEMENT

Ranger à l'intérieur dans un endroit sec et verrouillé, hors de la portée des enfants, d'enlever le bloc-pile et les périphériques USB débranchée. Garder éloigné des agents corrosifs comme les produits chimiques de jardinage et les sels fondants.

PROPOSITION 65 DE L'ÉTAT DE CALIFORNIE

AVERTISSEMENT :

Ce produit peut contenir des produits chimiques, notamment du plomb qui, selon l'État de la Californie, peuvent causer le cancer, des anomalies congénitales et d'autres dommages au système reproducteur. **Bien se laver les mains après toute manipulation.**

**NOTE : ILLUSTRATIONS COMMENÇANT SUR
6 DE PAGE APRÈS LA SECTION ESPAGNOL.**

INSTRUCCIONES DE SEGURIDAD IMPORTANTES

¡ADVERTENCIA!

LEA Y COMPRENDA TODAS LAS INSTRUCCIONES. El incumplimiento de las instrucciones señaladas enseguida puede causar descargas eléctricas, incendios y lesiones serias.

¡ADVERTENCIA!

Siempre se deben tomar precauciones básicas al usar aparatos eléctricos, incluidas las siguientes:

- **Lea todas las instrucciones antes de usar el aparato.**
- **Para reducir el riesgo de lesiones, se requiere una estrecha supervisión cuando se use el aparato cerca de niños.**
- **No lo utilice en exteriores.**
- **Para reducir el riesgo de descarga eléctrica, no ponga el luz de área ni el cargador en el agua ni en otro líquido.** No coloque ni guarde el aparato donde pueda caer o ser arrastrado a una bañera, lavamanos o fregadero.
- **Use únicamente el cargador suministrado por el fabricante para recargar el aparato.**
- **Cargue las baterías solamente con el cargador indicado.** Para utilizar con paquetes de baterías de níquel-cadmio de 18 V o de iones de litio de 18 V, consulte el folleto de la herramienta/aparato/paquete de baterías/cargador complementario 987000-432.
- **Utilice solamente la baterías recomendados.** Cualquier intento de utilizar otra baterías causará daños a el luz de área y posiblemente podría explotar, causando un incendio o lesiones corporales.
- **Retire de la lámpara de trabajo el paquete de pilas antes de reemplazar el foco o de realizar cualquier tarea rutinaria de mantenimiento o limpieza.**
- **No desarme el luz de área.**
- **No coloque el luz de área ni la baterías cerca del fuego o del calor.** Pueden explotar. Además, **no** deseche la baterías incinerándola cuando se agote. No incinere la baterías, incluso si está seriamente dañada o completamente agotada. La baterías puede estallar e inflamarse.
- **No utilice el luz de área ni el cargador cerca de líquidos inflamables ni en entornos gaseosos o explosivos.** Las chispas internas pueden inflamar las emanaciones.
- **No guarde el luz de área en lugares mojados o húmedos. No guarde la unidad en lugares donde la temperatura sea inferior a 10 °C (50 °F) o superior a 38 °C (100 °F).** No guarde la unidad a la intemperie ni en el interior de vehículos.
- **No permita que niños usen luz de áreas, lentes, y la vivienda de los alrededores.**

- **Mantenga la lámpara seca, limpia y libre de aceites y grasas.** Siempre utilice un paño limpio para limpiar la unidad. Nunca utilice fluidos para frenos, gasolina, productos a base de petróleo ni disolventes fuertes para limpiar el luz de área.
- **No exponga el luz de área a la lluvia.** El agua que penetra a una herramienta eléctrica aumenta el riesgo de descargas eléctricas o mal funcionamiento.
- **No estire el cuerpo para alcanzar un distancia mayor a la natural. Mantenga una postura firme y buen equilibrio en todo momento.** Una postura firme y un buen equilibrio permiten un mejor control de el luz de área en situaciones inesperadas. No utilice la unidad al estar en una escalera o en un soporte inestable.

EMPLEO Y CUIDADO DE EL LUZ DE ÁREA

- **Este producto es para uso casero.**
- **Guarde el luz de área fuera del alcance de los niños y de toda persona no capacitada en el uso de la misma.** Las lámparas de trabajo son peligrosas en manos de personas no capacitadas en su uso.
- **No use ni permita que se use el luz de área al estar en cama ni en sacos de dormir.** La lente de esta luz de área puede derretir telas, con lo cual podrían resultar lesiones por quemadura.




REGLAS DE SEGURIDAD PARA DE LUZ DE ÁREA

- **Siempre retire el paquete de baterías antes de guardar el dispositivo.**
- **En condiciones extremas de uso o temperatura es posible que se derrame fluido de la baterías.** Si el fluido llega a tocarle la piel, lávese de inmediato con agua y jabón. Si le entra líquido en los ojos, láveselos con agua limpia por lo menos 10 minutos, y después consiga atención médica de inmediato.
- **Las baterías pueden explotar en presencia de fuentes de inflamación, como los pilotos de gas.** Para reducir el riesgo de lesiones serias, nunca use un producto inalámbrico en presencia de llamas expuestas. La explosión de una pila puede lanzar fragmentos y compuestos químicos. Si ha quedado expuesto a la explosión de una pila, lávese de inmediato con agua.
- **No aplaste, deje caer o dañe de baterías. Nunca utilice una baterías o cargador que se ha caído, aplastado, recibido un golpe contundente o ha sido dañado(a) de alguna manera.** Las baterías dañadas pueden sufrir explosiones. Deseche de inmediato toda pila que haya sufrido una caída o cualquier daño. La inobservancia de esta advertencia puede causar lesiones corporales serias.
- **Guarde estas instrucciones.** Consúltelas con frecuencia y empléelas para instruir a otras personas que puedan utilizar esta herramienta. Si presta a alguien esta herramienta, facilítele también las instrucciones.





CONSERVEZ CES INSTRUCTIONS

SÍMBOLOS

Las siguientes palabras de señalización y sus significados tienen el objeto de explicar los niveles de riesgo relacionados con este producto.

SÍMBOLO	SEÑAL	SIGNIFICADO
	PELIGRO:	Indica una situación peligrosa inminente, la cual, si no se evita, causará la muerte o lesiones serias.
	ADVERTENCIA:	Indica una situación peligrosa posible, la cual, si no se evita, podría causar la muerte o lesiones serias.
	PRECAUCIÓN:	Indica una situación peligrosa posible, la cual, si no se evita, podría causar lesiones menores o leves.
	AVISO:	(Sin el símbolo de alerta de seguridad) Indica información importante no relacionada con ningún peligro de lesiones, como una situación que puede ocasionar daños físicos.

Es posible que se empleen en este producto algunos de los siguientes símbolos. Le suplicamos estudiarlos y aprender su significado. Una correcta interpretación de estos símbolos le permitirá utilizar mejor y de manera más segura el producto.

SÍMBOLO	NOMBRE	DENOMINACIÓN/EXPLICACIÓN
	Alerta de seguridad	Indica un peligro posible de lesiones personales.
	Lea el manual del operador	Para reducir el riesgo de lesiones, el usuario debe leer y comprender el manual del operador antes de usar este producto.
	Alerta de condiciones húmedas	No exponga la unidad a la lluvia ni la use en lugares húmedos.
	Símbolos de reciclado	Este producto contiene baterías de níquel-cadmio (Ni-Cd) o iones de litio (Li-ion). Es posible que algunas leyes municipales, estatales o federales prohíban desechar las baterías de níquel-cadmio en la basura normal. Consulte a las autoridades reguladoras de desechos para obtener información en relación con las alternativas de reciclado y desecho disponibles.
V	Volts	Voltaje
W	Watts	Potencia
min	Minutos	Tiempo
—	Corriente continua	Tipo o característica de corriente

ARMADO

ADVERTENCIA:

No use este producto si no está totalmente ensamblado o si alguna pieza falta o está dañada. El uso de un producto que no está adecuadamente y completamente ensamblado o posee partes dañadas o faltantes puede resultar en lesiones personales graves.

ADVERTENCIA:

No intente modificar este producto ni crear aditamentos o accesorios que no estén recomendados para usar con este producto. Dichas alteraciones o modificaciones constituyen un uso indebido y podrían provocar una situación de riesgo que cause posibles lesiones personales graves.

Si hay piezas dañadas o faltantes, le suplicamos llamar al 1-800-525-2579, donde le brindaremos asistencia.

CARACTERÍSTICAS

ESPECIFICACIONES DEL PRODUCTO

LEDs..... 3 Watts máximo
Luz potencia..... 330 Lumens

Tiempo de funcionamiento
máximo.....Aproximadamente 50 horas
Puerto USB de carga 1 A, 5 V

FUNCIONAMIENTO

ADVERTENCIA:

No apunte el rayo de luz a personas o animales y evite mirar de frente el rayo de luz (aunque se encuentre lejos). Mirar de frente el rayo de luz puede causar lesiones graves o pérdida de la visión.

ADVERTENCIA:

No permita que su familiarización con los productos lo vuelva descuidado. Tenga presente que un descuido de un instante es suficiente para causar una lesión grave.

ADVERTENCIA:

No utilice ningún aditamento o accesorio no recomendado por el fabricante de esta producto. El empleo de aditamentos o accesorios no recomendados podría causar lesiones serias.

USOS

Esta herramienta puede emplearse para los fines enumerados abajo:

- La iluminación general de la mayoría de los espacios de trabajo.

INSTALACIÓN/DESMONTAR DEL PAQUETE DE BATERÍAS

Vea la figura 1, página 6.

- Coloque el paquete de baterías en el producto como se muestra.
- Asegúrese de que los pestillos situados en ambos lados del paquete de baterías se deslicen completamente en su lugar y de que el paquete quede bien fijo en el producto antes de empezar a utilizarlo.
- Oprima los pestillos para extraer el paquete de baterías.

Para obtener instrucciones específicas de carga, lea el manual del operador que se incluye con el cargador y la batería.

ADVERTENCIA:

Las herramientas de baterías siempre están en condiciones de funcionamiento. Por lo tanto, siempre debe estar asegurado el interruptor cuando no esté usándose o el operador lo lleve por un lado.

ENCENDER/APAGAR LA LUZ DE ÁREA

Vea la figura 2, página 6.

La luz de área tienes tres ajustes: alto, bajo y apagado.

- Instale el paquete de batería.
- **Alto:** Presione le botón de encendido una vez.
- **Bajo:** Presione le botón de encendido dos veces.
- **Apagado:** Presione le botón de encendido una tercera vez.

CÓMO COLGAR LA LUZ DE ÁREA LED

Vea la figura 3, página 6.

ADVERTENCIA:

Sólo cuelgue o monte la luz de área LED en un área donde no hayan cables eléctricos, cables de utilidad, tuberías u otras obstrucciones. Comuníquese con su compañía de servicios públicos o con un electricista calificado si no está seguro. No cuelgue la luz de área desde ningún cordón eléctrico. Asegúrese que la luz de área quede debidamente instalada para evitar el peligro por la caída de objetos. El no seguir estas instrucciones puede resultar en electrocución, shock eléctrico, u otras lesiones personales serias.

- Levante el gancho J y gírelo a la posición deseada para colgar.

AVISO:

No adjunte nada más que el paquete de batería a la luz de área cuando esta esté colgada del gancho J.

- Tome precaución de no colgar la luz de área en una posición que no permita la operación normal de la luz.

FUNCIONAMIENTO

PUERTO DE CARGA USB DEDICADO

Vea la figura 4, página 6.

Los puertos de carga USB proporcionan potencia de carga de 5 voltios CC de hasta 1 amperio para su teléfono celular, reproductor de MP3, u otros dispositivos USB.

AVISO:

El tratar de cargar dispositivos con más de 1 amperio, tales como las tabletas, podría causar daños al puerto de carga USB dedicado y/o al dispositivo.

- Presione el botón de encendido para encender la luz.
- Conecte un extremo del cable USB (no incluido) a su dispositivo USB.

- Conecte un extremo del cable USB (no incluido) al puerto de carga USB dedicado para iniciar la carga del dispositivo.
- La capacidad de carga USB se activa cuando la luz se enciende. Permanecerá activa para cargar por 4 horas después de que la luz de haya apagado.
- Si la luz se apaga por 4 horas, el puerto USB se desactivará. Para continuar el uso de la luz para carga, encienda la luz nuevamente.
- La luz puede ser apagada y usada por unas 4 horas de carga adicionales.

MANTENIMIENTO

ADVERTENCIA:

Al dar servicio a la unidad, sólo utilice piezas de repuesto idénticas. El empleo de piezas diferentes puede causar un peligro o dañar el producto.

ADVERTENCIA:

Para evitar lesiones corporales graves, siempre retire la batería de la herramienta al limpiarla o darle mantenimiento.

ADVERTENCIA:

Quite la batería del proyector y deje que la lente se enfríe por varios minutos antes de realizar cualquier mantenimiento de rutina en el proyector , limpiarlo o guardarlo. La inobservancia de esta advertencia puede causar lesiones graves y daños a los bienes.

AVISO:

No se pueden reemplazar los LED. Si se intenta reemplazar los LED, el reflector puede dañarse.

MANTENIMIENTO GENERAL

Evite el empleo de solventes al limpiar piezas de plástico. La mayoría de los plásticos son susceptibles a diferentes tipos de solventes comerciales y pueden resultar dañados. Utilice paños limpios para eliminar la suciedad, el polvo, el aceite, la grasa, etc.

ALMACENAMIENTO

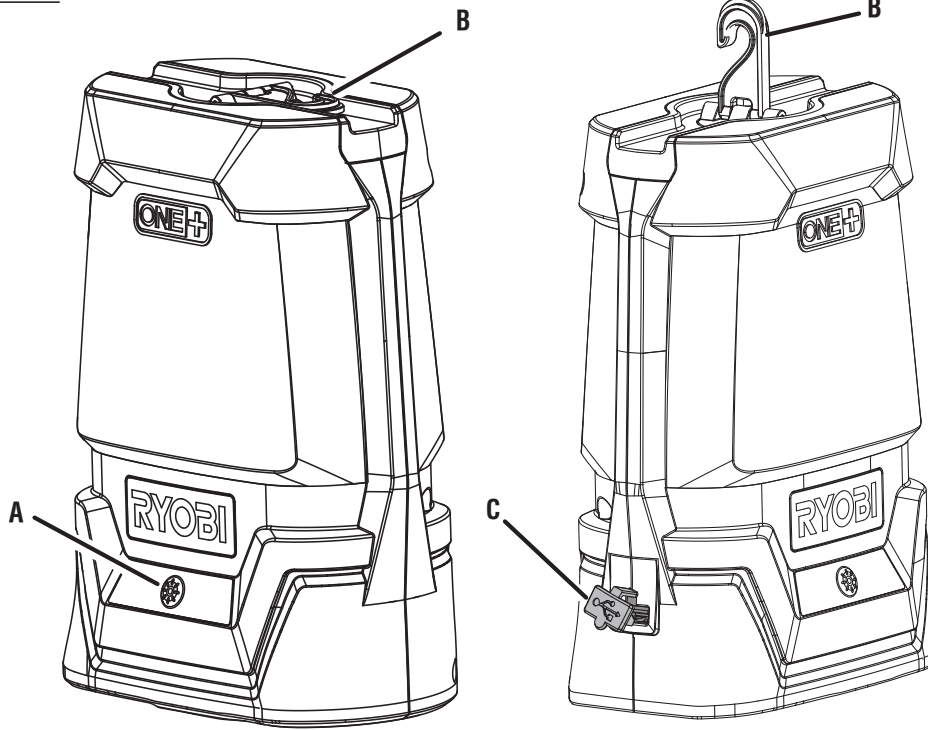
Almacene en el interior, en un lugar seco y cerrado con llave, lejos del alcance de los niños con el paquete de baterías extraído y dispositivos USB desconectado. Evite que la unidad entre en contacto con agentes corrosivos como las sustancias químicas para el jardín y las sales para derretir el hielo.

CALIFORNIA - PROPUESTA DE LEY NÚM. 65

ADVERTENCIA:

Este producto puede contener sustancias químicas (incluido el plomo) reconocidas por el estado de California como causantes de cáncer, defectos congénitos y otras afecciones del aparato reproductor. **Lávese las manos después de utilizar el aparato.**

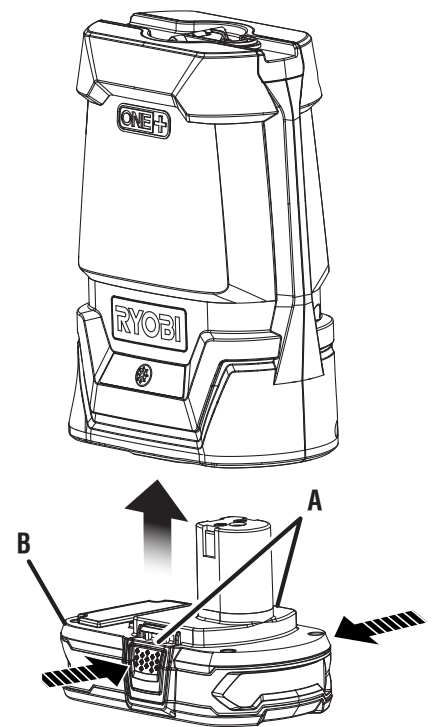
P781



A - Power button (bouton d'alimentation, botón de encendido/apagado)
B - J hook (crochet en J, gancho en J)

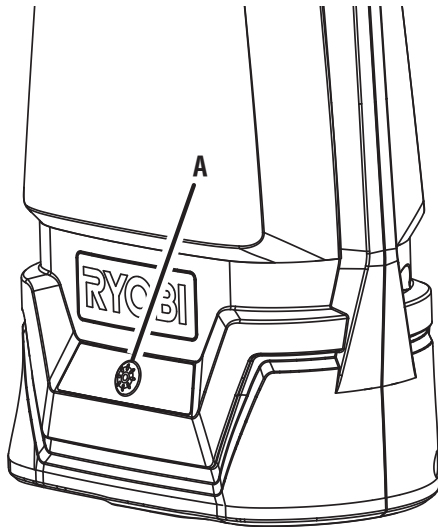
C - USB port (prise, receptáculo)
D - Battery port (logements de bloc-piles, puertos de baterías)

Fig. 1



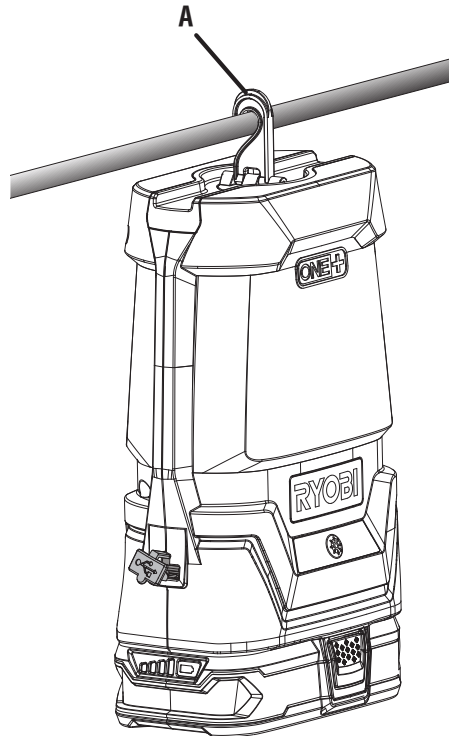
A - Latches (loquets, pestillos)
B - Battery pack (bloc-piles, baterías)

Fig. 2



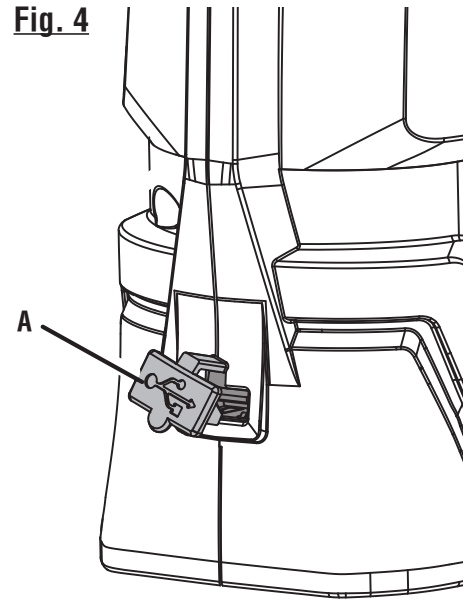
A - Power button (bouton d'alimentation, botón de encendido/apagado)

Fig. 3



A - J hook (crochet en J, gancho en J)

Fig. 4



A - USB port (port USB, puerto USB)



OPERATOR'S MANUAL/18 VOLT WORK LIGHT
MANUEL D'UTILISATION/LAMPE DE TRAVAIL DE 18 V
MANUAL DEL OPERADOR/LUZ DE TRABAJO DE 18 V
P781

To request service, purchase replacement parts,
locate an Authorized Service Center and obtain Customer or Technical Support:

Visit **www.ryobitools.com** or call **1-800-525-2579**

If any parts or accessories are damaged or missing,
do not return this product to the store. Call **1-800-525-2579** for immediate service.

Please obtain your model and serial number from the product data plate.

This product is covered under a 3-year limited Warranty. Proof of purchase is required.

MODEL NUMBER _____ SERIAL NUMBER _____

RYOBI is a trademark of Ryobi Limited and is used pursuant to a license granted by Ryobi Limited.

Pour faire une demande de réparations ou obtenir des pièces de rechange, trouver un
Centre de réparations agréé pour obtenir un soutien technique ou le Service à la clientèle :

Visiter **www.ryobitools.com** ou en téléphonant au **1-800-525-2579**

Si des pièces ou accessoires sont manquantes ou endommagées, ne pas retourner
ce produit au magasin. Appeler immédiatement au **1-800-525-2579** pour obtenir de l'aide.

Inscrire les numéros de modèle et de série inscrits sur la plaque d'identification du produit.

Ce produit est couvert par une garantie limitée de trois (3) ans. Une preuve d'achat est exigée.

NUMÉRO DE MODÈLE _____ NUMÉRO DE SÉRIE _____

RYOBI est une marque déposée de Ryobi Limited et est utilisée en vertu d'une licence accordée par Ryobi Limited.

Para obtener servicio, comprar piezas de repuesto, localizar un centro de servicio autorizado
y obtener Servicio o Asistencia Técnica al Consumidor:

Visite **www.ryobitools.com** o llame al **1-800-525-2579**

Si hay alguna pieza ou accesorios dañada o faltante, no devuelva este producto a la tienda.
Llame al **1-800-525-2579** para servicio técnico inmediato.

Obtenga su modelo y número de serie de la placa de datos del producto.

Este producto está cubierto con una garantía limitada de 3 años. Se solicita prueba de la compra.

NÚMERO DE MODELO _____ NÚMERO DE SERIE _____

RYOBI es una marca de Ryobi Limited y se utiliza conforme a una licencia otorgada por Ryobi Limited.

ONE WORLD TECHNOLOGIES, INC.

1428 Pearman Dairy Road, Anderson, SC 29625 • Phone 1-800-525-2579
États-Unis, Téléphone 1-800-525-2579 • USA, Teléfono 1-800-525-2579

www.ryobitools.com



OPERATOR'S MANUAL

MANUEL D'UTILISATION

MANUAL DEL OPERADOR

18 VOLT ONE+ RADIO

RADIO DE 18 V ONE+

RADIO DE 18 V ONE+

P742

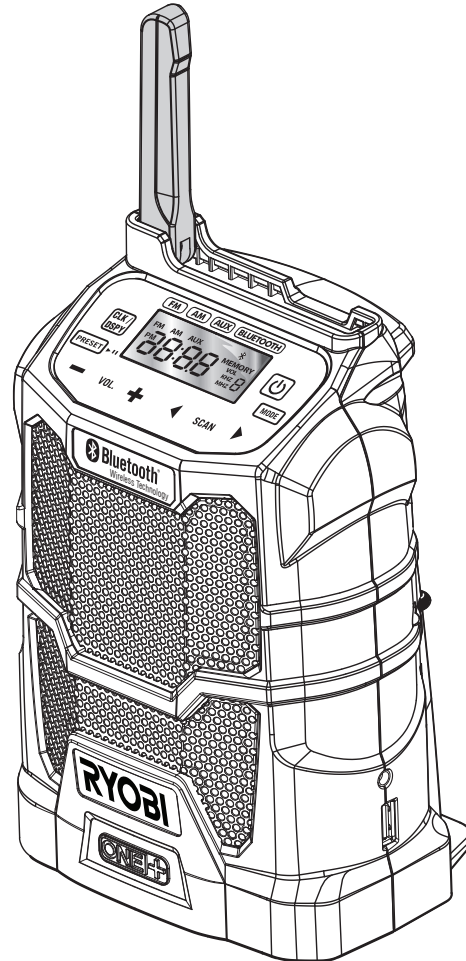


TABLE OF CONTENTS

- Important Safety Instructions2-3
- Symbols..... 4
- Assembly5
- Operation.....5-7
- Maintenance..... 8
- Illustrations9-10
- Parts Ordering/ServiceBack page

TABLE DES MATIÈRES

- Instructions importantes concernant la sécurité.....2-3
- Symboles..... 4
- Assemblage.....5
- Utilisation.....5-7
- Entretien 8
- Illustrations9-10
- Commande de pièces/dépannagePage arrière

ÍNDICE DE CONTENIDO

- Instrucciones de seguridad importantes..... 2-3
- Símbolos 4
- Armado.....5
- Funcionamiento.....5-7
- Mantenimiento..... 8
- Ilustraciones9-10
- Pedidos de repuestos/servicio Pág. posterior

⚠ WARNING: To reduce the risk of injury, the user must read and understand the operator's manual before using this product.

⚠ AVERTISSEMENT : Pour réduire les risques de blessures, l'utilisateur doit lire et veiller à bien comprendre le manuel d'utilisation avant d'employer ce produit.

⚠ ADVERTENCIA: Para reducir el riesgo de lesiones, el usuario debe leer y comprender el manual del operador antes de usar este producto.

SAVE THIS MANUAL FOR FUTURE REFERENCE

CONSERVER CE MANUEL POUR FUTURE RÉFÉRENCE

GUARDE ESTE MANUAL PARA FUTURAS CONSULTAS

IMPORTANT SAFETY INSTRUCTIONS

WARNING!

Read **THESE** instructions. Failure to follow all instructions listed below, may result in electric shock, fire and/or serious personal injury.

KEEP THESE INSTRUCTIONS HEED ALL WARNINGS FOLLOW ALL INSTRUCTIONS

- **Do not use this apparatus near water.**
- **Clean only with dry cloth.**
- **Do not block any ventilation openings.** Install in accordance with the manufacturer's instructions.
- **Do not install near any heat sources such as radiators, heat registers, stoves, or other apparatus (including amplifiers) that produce heat.**
- **Only use attachments/accessories specified by the manufacturer.**
- **Refer all servicing to qualified service personnel.** Servicing is required when the apparatus has been damaged in any way, liquid has been spilled or objects have fallen into the apparatus, the apparatus has been exposed to rain or moisture, does not operate normally, or has been dropped.
- **When servicing a product, use only identical replacement parts. Follow instructions in the Maintenance section of this manual.** Use of unauthorized parts or failure to follow Maintenance instructions may create a risk of shock or injury.
- **Know your product. Read operator's manual carefully. Learn its applications and limitations, as well as the specific potential hazards related to this product.** Following this rule will reduce the risk of electric shock, fire, or serious injury.
- **Do not operate products in explosive atmospheres, such as in the presence of flammable liquids, gases, or dust.** Products create sparks which may ignite the dust or fumes.

ELECTRICAL SAFETY

- **A battery operated product with integral batteries or a separate battery pack must be recharged only with the specified charger for the battery.** A charger that may be suitable for one type of battery may create a risk of fire when used with another battery.
- **Use battery operated product only with specifically designated battery pack.** Use of any other batteries may create a risk of fire.
- **For use with 18 V nickel-cadmium and 18 V lithium-ion battery packs, see tool/appliance/battery pack/charger correlation supplement 987000-432.**

PERSONAL SAFETY

- **Do not use on a ladder or unstable support.** Stable footing on a solid surface enables better control of the product in unexpected situations.
- **Do not use the radio to listen to music or other audio programs while operating machinery.** Doing so may cause distractions that could result in serious personal injury.
- **This radio is capable of producing sound levels that can be dangerous to long-term hearing.** Listening to music at high volume for any period of time may cause noise-induced hearing loss. The higher the volume, the less time required before your hearing may be affected.

PRODUCT USE AND CARE

- **When battery pack is not in use, keep it away from other metal objects like: paper clips, coins, keys, nails, screws, or other small metal objects that can make a connection from one terminal to another.** Shorting the battery terminals together may cause sparks, burns, or a fire.
- **Keep the radio and its handle dry, clean and free from oil and grease.** Always use a clean cloth when cleaning. Never use brake fluids, gasoline, petroleum-based products, or any strong solvents to clean the radio. Following this rule will reduce the risk of loss of control and deterioration of the enclosure plastic.
- **Battery products do not have to be plugged into an electrical outlet; therefore, they are always in operating condition. Be aware of possible hazards when not using your battery product or when changing accessories.** Following this rule will reduce the risk of electric shock, fire, or serious personal injury.
- **Do not place battery products or their batteries near fire or heat.** This will reduce the risk of explosion and possibly injury.
- **Do not crush, drop or damage battery pack. Do not use a battery pack or charger that has been dropped or received a sharp blow.** A damaged battery is subject to explosion. Properly dispose of a dropped or damaged battery immediately.
- **Batteries can explode in the presence of a source of ignition, such as a pilot light.** To reduce the risk of serious personal injury, never use any cordless product in the presence of open flame. An exploded battery can propel debris and chemicals. If exposed, flush with water immediately.
- **Do not charge battery product in a damp or wet location.** Following this rule will reduce the risk of electric shock.
- **For best results, your battery product should be charged in a location where the temperature is more than 50°F but less than 100°F.** To reduce the risk of serious personal injury, do not store outside or in vehicles.


IMPORTANT SAFETY INSTRUCTIONS

- Under extreme usage or temperature conditions, battery leakage may occur. If liquid comes in contact with your skin, wash immediately with soap and water. If liquid gets into your eyes, flush them with clean water for at least 10 minutes, then seek immediate medical attention. Following this rule will reduce the risk of serious personal injury.
- To reduce the risk of personal injury and electric shock, the product should not be played with or placed where small children can reach it.
- Save these instructions. Refer to them frequently and use them to instruct others who may use this product. If you loan someone this product, loan them these instructions also.


BLUETOOTH® LICENSE STATEMENT

The BLUETOOTH® word mark and logos are registered trademarks owned by Bluetooth SIG, Inc. and any use of such marks by TECHTRONIC POWER TOOLS TECHNOLOGY LIMITED is under license. Other trademarks and trade names are those of their respective owners.

CALIFORNIA PROPOSITION 65

 **WARNING:** This product may contain chemicals, including lead, known to the State of California to cause cancer, birth defects or other reproductive harm. *Wash hands after handling.*

FCC COMPLIANCE

 **WARNING:**
Changes or modifications to this unit not expressly approved by the party responsible for compliance could void the user's authority to operate the equipment.




NOTE: This equipment has been tested and found to comply with the limits for a Class B digital device, pursuant to Part 15 of the FCC Rules. This Class B digital apparatus complies with Canadian ICES-003. These limits are designed to provide reasonable protection against harmful interference in a residential installation. This equipment generates, uses and can radiate radio frequency energy and, if not installed and used in accordance with the instructions, may cause harmful interference to radio communications.

However, there is no guarantee that interference will not occur in a particular installation. If this equipment does cause harmful interference to radio or television reception, which can be determined by turning the equipment on and off, the user is encouraged to try to correct the interference by one or more of the following measures:







- Reorient or relocate the receiving antenna.
- Increase the separation between the equipment and receiver.
- Connect the equipment into an outlet on a circuit different from that to which the receiver is connected.
- Consult the dealer or an experienced radio/TV technician for help.

SYMBOLS

The following signal words and meanings are intended to explain the levels of risk associated with this product.

SYMBOL	SIGNAL	MEANING
	DANGER:	Indicates an imminently hazardous situation, which, if not avoided, will result in death or serious injury.
	WARNING:	Indicates a potentially hazardous situation, which, if not avoided, could result in death or serious injury.
	CAUTION:	Indicates a potentially hazardous situation, which, if not avoided, may result in minor or moderate injury.
	NOTICE:	(Without Safety Alert Symbol) Indicates important information not related to an injury hazard, such as a situation that may result in property damage.

Some of the following symbols may be used on this product. Please study them and learn their meaning. Proper interpretation of these symbols will allow you to operate the product better and safer.

SYMBOL	NAME	DESIGNATION/EXPLANATION
	Safety Alert	Indicates a potential personal injury hazard.
	Read Operator's Manual	To reduce the risk of injury, user must read and understand operator's manual before using this product.
	Eye Protection	Always wear eye protection with side shields marked to comply with ANSI Z87.1.
	Electric Shock Alert	Indicates uninsulated material within the unit that may cause electrical shock. Do not remove product covering.
	Wet Conditions Alert	Do not expose to rain or use in damp locations.
	Recycle Symbol	This product uses nickel-cadmium (Ni-Cd) and lithium-ion (Li-ion) batteries. Local, state, or federal laws may prohibit disposal of batteries in ordinary trash. Consult your local waste authority for information regarding available recycling and/or disposal options.
==	Direct Current	Type or a characteristic of current
V	Volts	Voltage
W	Watt	Power
min	Minutes	Time

ASSEMBLY

WARNING:

Do not use this product if it is not completely assembled or if any parts appear to be missing or damaged. Use of a product that is not properly and completely assembled or with damaged or missing parts could result in serious personal injury.

WARNING:

Do not attempt to modify this product or create accessories or attachments not recommended for use with this product. Any such alteration or modification is misuse and could result in a hazardous condition leading to possible serious personal injury.

If any parts are damaged or missing, please call 1-800-525-2579 for assistance.

OPERATION

WARNING:

Do not allow familiarity with this product to make you careless. Remember that a careless fraction of a second is sufficient to inflict serious injury.

WARNING:

Always remove the battery pack from the product when you are assembling parts, cleaning, or when not in use. Removing these energy sources will prevent accidental starting that could cause serious personal injury.

WARNING:

The radio is not waterproof. Do not submerge in liquid. Failure to heed this warning could result in serious personal injury.

NOTICE:

Always refer to the manual for any device recommended for use as an attachment or accessory. Proper use of any device, when attached to the radio, is the sole responsibility of the operator. Improper use may damage the device or the product.

WARNING:

This radio is capable of producing sound levels that can be dangerous to long-term hearing. Listening to music at high volume for any period of time can cause noise-induced hearing loss. The higher the volume, the less time required before your hearing could be affected.

APPLICATIONS

You may use this product for the following purposes:

- Listening to FM/AM radio, MP3 players, and other audio devices
- Charging USB capable devices
- Streaming audio from BLUETOOTH® enabled devices

INSTALLING/REMOVING AAA BATTERIES

See Figure 1, page 9.

It is advisable to write down saved channels before replacing the AAA batteries.

There is a 15-second time frame for replacing the AAA batteries. If the batteries are not replaced within 15 seconds, the radio will lose all settings previously stored in memory, and they will require reprogramming.

Always use new alkaline batteries for replacement.

WARNING:

Danger of explosion if battery is incorrectly replaced. Replace only with the same or equivalent type.

- Remove the battery pack, if installed.
- Loosen the screw in the battery door. Remove door and set aside.
- Install two new AAA batteries according to polarity indicators inside the battery compartment.

NOTE: Do not mix old and new batteries. Do not mix alkaline, standard (carbon-zinc), or rechargeable (nickel-cadmium) batteries.

- Replace the battery door and tighten screw to secure.

INSTALLING/REMOVING BATTERY PACK

See Figure 2, page 9.

To install battery pack:

- Place the battery pack in the radio, aligning the rib on the battery pack with the groove in the battery port.
- Make sure the latches on the battery pack snap into place and the battery pack is secured to the radio before beginning operation.

OPERATION

- Depress the latches to remove the battery pack.

NOTE: Always remove battery pack from radio when not in use.

FOLD-DOWN FLEXIBLE ANTENNA

To decrease interference or electrical noise, extend the antenna or move the radio to a higher elevation. The antenna folds down and out of the way when not in use.

LCD DISPLAY

When a battery pack is installed and the radio is in the ON position, the LCD display will show the time, frequency, mode, and settings. When the battery pack is removed and AAA batteries are installed, the LCD display will display the time only.

NOTE: The illustrations of the LCD display shown in this manual are only examples of the frequencies you may see on your radio and are not the exact frequencies that you may choose to listen to.

MENU NAVIGATION BUTTONS

See Figure 3, page 9.

Use the menu navigation buttons to turn the radio on and off, control the volume, change frequencies, toggle between modes and set the time.

TURNING THE RADIO ON AND OFF:

Press the power button to turn the radio ON and OFF.

When the radio is on and a battery pack is installed, the battery symbol will be shown in the LCD display. If the battery charge is low, a flashing low battery indicator will be displayed.

ADJUSTING THE VOLUME:

When the radio is turned ON, the unit will return to the last volume setting used.

- To increase the volume, press the **VOL +** button.
- To decrease the volume, press the **VOL –** button.

MODE SELECTION:

Press the **MODE** button to cycle through available modes. There are four modes to choose from:

- FM mode
- AM mode
- AUX mode
- BLUETOOTH® mode

NOTE: When turned on, the radio will return to the last mode that was used if the battery was not disconnected. In the event power is lost to the radio, the display will default to FM mode.

FM/AM TUNING:

The **SCAN** left and right arrow buttons are used to tune to the desired radio frequency. The selected frequency is displayed on the LCD.

- Press and release the left arrow button to tune to a lower frequency. Press and release the right arrow button to tune to a higher frequency.

- Briefly push either button (not press and hold) to tune one frequency step at a time.
- To decrease interference or electrical noise, adjust the position of the antenna or move the radio to a higher elevation.

STORING A PRESET IN MEMORY:

The memory feature saves up to 20 frequencies as presets in the radio's memory. You can save up to ten (10) frequencies each for FM and AM modes.

- Tune to the desired FM or AM frequency.
- Press and hold the **PRESET** button until the word "MEMORY" and the preset position number flash on the screen.
- Press the **SCAN** left and right arrow buttons to choose a preset position number.

NOTE: There are ten (10) preset positions for FM and ten (10) for AM. Only one station can be saved in each preset position.

- Press the **PRESET** button again to store the frequency.

TO TUNE TO PRESETS (FM OR AM MODE):

- Press and release the **PRESET** button to cycle through each preset position number and its associated frequency.

SETTING THE CLOCK:

The time appears on the LCD display when the radio is on.

- Press and hold the **CLK/DSPY** button until the "hour" display blinks.
- Press the **VOL +** or **VOL –** button to select the hour.

NOTE: Time is displayed in 12-hour format only. To select an hour that is after noon and before midnight, cycle the hours until "PM" appears in the display.

- Press and release the **CLK/DSPY** button to lock in the hour setting. "Minutes" will begin to blink.
- Press the **VOL +** or **VOL –** button to select the desired number.
- Press and release the **CLK/DSPY** button again to confirm the time.

USING A PHONE/MP3 PLAYER (NOT INCLUDED) WITH THE RADIO

See Figure 4, page 10.

- Press the **MODE** button until **AUX** mode is highlighted.
- The retainer strap may be used to secure the device into position.
- Connect auxiliary cable (not included) to the device.
- The phone/MP3 player must be on and in play mode for sound to be heard through the speakers.
- All phone/MP3 player controls can be used normally while connected to radio.

NOTE: Volume for any device connected through the auxiliary cable can be adjusted using the volume control

OPERATION

for that device or by using the radio's **VOL +** or **VOL -** button.

- Turning the radio off will NOT turn the phone/MP3 player off.
- The auxiliary cable DOES NOT provide charging function.
- For complete operating instructions for the connected device, always refer to the manual that was included with your device.

USING A BLUETOOTH® ENABLED DEVICE (NOT INCLUDED) WITH THE RADIO

See Figure 5, page 10.

- Press the **MODE** button until the **BLUETOOTH®** mode is highlighted.
- When the radio is switched to **BLUETOOTH®** mode, the unit will attempt to pair to a **BLUETOOTH®** enabled device and "bt" will flash in the LCD display.

NOTE: The radio will automatically attempt to connect to the last device it was paired to. If a connection cannot be established within five seconds, the radio will make itself available to other **BLUETOOTH®** enabled devices.

- **BLUETOOTH®** enabled devices must be within 30 ft. of the radio and set to search/scan in order to pair with the radio.
- Select "RYOBI Radio" from your device's list of available **BLUETOOTH®** signals to pair the device and the radio. No password or PIN is required for connection.
- When the device has successfully paired with the radio, "bt" will stop flashing.

NOTE: When a device is paired to the radio, information for connecting to the device is saved in the radio's memory.

- When streaming audio from a **BLUETOOTH®** enabled device, press the **SCAN** left and right arrow buttons to go to the previous or next track. Briefly press and release the **PRESET** button to cycle between pausing and playing the audio.

NOTE: These controls may not be supported by the **BLUETOOTH®** device and/or application you are using.

- All **BLUETOOTH®** enabled device controls can be used normally while paired to the radio.

NOTE: Volume for any device paired to the radio can be adjusted using the volume control for that device or by using the radio's **VOL +** or **VOL -** button.

- To disconnect the **BLUETOOTH®** enabled device, press and hold the **PRESET** button. When the device is disconnected, "bt" will begin flashing in the LCD display and the radio will begin searching for another device.

USING THE USB DEDICATED CHARGING PORT

The USB dedicated charging port provides charging power of 5 Volts DC at up to 1 Amp for your cell phone, MP3 player, or other USB devices.

NOTICE:

Attempting to charge devices rated more than 1 Amp, such as a tablet, could damage the USB dedicated charging port and/or the device.

- Connect one end of a USB cable (not provided) to your USB device.
- Connect the other end of the USB cable (not provided) to the USB dedicated charging port to begin charging the device.

NOTE: The USB dedicated charging port provides power only; it does not provide any data communication capabilities.

MAINTENANCE

⚠ WARNING:

When servicing, use only identical replacement parts. Use of any other part could create a hazard or cause product damage.

⚠ WARNING:

Do not at any time let brake fluids, gasoline, petroleum-based products, penetrating oils, etc., come in contact with plastic parts. Chemicals can damage, weaken or destroy plastic which could result in serious personal injury.

GENERAL MAINTENANCE

Avoid using solvents when cleaning plastic parts. Most plastics are susceptible to damage from various types of commercial solvents and can be damaged by their use. Use clean cloths to remove dirt, dust, oil, grease, etc.

**NOTE: ILLUSTRATIONS START ON PAGE 9
AFTER FRENCH AND SPANISH LANGUAGE SECTIONS.**

INSTRUCTIONS IMPORTANTES CONCERNANT LA SÉCURITÉ

AVERTISSEMENT !

LIRE CES INSTRUCTIONS. Le non-respect de toutes les instructions ci-dessous peut entraîner un choc électrique, un incendie et des blessures graves.

CONSERVER CES INSTRUCTIONS

OBSERVER TOUS LES AVERTISSEMENTS

LIRE TOUTES LES INSTRUCTIONS

- **Ne pas utiliser cet appareil près d'eau.**
- **Ne nettoyer l'appareil qu'avec un chiffon sec.**
- **Ne pas bloquer les ouïes d'aération.** Installer l'appareil conformément aux instructions du fabricant.
- **Ne pas installer l'appareil près de sources de chaleur** telles que radiateurs, bouches de chaleurs, poêles ni d'autres appareils (y compris les amplificateurs) qui produisent de la chaleur.
- **Utiliser uniquement les raccords ou les accessoires spécifiés par le fabricant.**
- **Faire effectuer toutes les réparations par un personnel d'entretien qualifié.** Il est nécessaire de faire réparer l'appareil lorsqu'il a subi des dommages quelconques ; si, par exemple, si du liquide a été renversé ou si des objets sont tombés dans l'appareil, si celui-ci a été exposé à la pluie ou à l'humidité, s'il ne fonctionne pas normalement ou s'il a chuté.
- **Utiliser exclusivement des pièces identiques à celles d'origine pour les réparations. Se conformer aux instructions de la section Entretien de ce manuel.** L'usage de pièces non autorisées ou le non-respect des instructions peut présenter des risques de choc électrique ou de blessures.
- **Bien connaître le produit. Lire attentivement le manuel d'utilisation. Apprendre les applications et les limites du produit, et connaître les dangers spécifiques relatifs à son utilisation.** Le respect de cette consigne réduira les risques d'incendie, de choc électrique et de blessures graves.
- **Ne pas utiliser de produits dans des atmosphères explosives, en présence de liquides, de gaz ou de poussières inflammables par exemple.** Les produits créent des étincelles qui pourraient enflammer les poussières ou les vapeurs.

SÉCURITÉ ÉLECTRIQUE

- **Les piles du produit, qu'elles soient intégrées ou amovibles, ne doivent être rechargées qu'avec le chargeur spécifié.** Un chargeur approprié pour un type de pile peut créer un risque d'incendie s'il est utilisé avec un autre type de pile.
- **Utiliser le produit exclusivement avec le bloc de piles indiqué.** L'usage de tout autre bloc peut créer un risque d'incendie.
- **Pour utiliser l'appareil avec des piles au nickel-cadmium et au lithium-ion de 18 V, consulter le supplément de raccordement pour chargeur/outils/piles/appareil n° 987000-432.**

SÉCURITÉ PERSONNELLE

- **Ne pas utiliser l'produit sur une échelle ou un support instable.** Une bonne tenue et un bon équilibre permettent de mieux contrôler le produit en cas de situation imprévue.
- **Ne pas utiliser l'appareil radio pour écouter de la musique ou d'autres émissions audio au moment d'opérer de la machinerie.** Ne pas respecter cette directive peut causer des distractions qui pourraient entraîner des blessures graves.
- **Cet appareil radio est suffisamment puissant pour endommager l'ouïe à long terme.** L'écoute de la musique à un niveau sonore élevé pendant une certaine période peut entraîner une perte auditive attribuable au bruit. Plus le niveau sonore est élevé, moins il faudra de temps pour endommager l'ouïe.

UTILISATION ET ENTRETIEN DU PRODUIT

- **Lorsque le bloc de piles n'est pas en usage, le tenir à l'écart d'articles métalliques tels que : attaches trombones, pièces de monnaie, clous, vis et autres petits objets métalliques risquant d'établir le contact entre les deux bornes.** La mise en court-circuit des bornes d'une pile peut entraîner des étincelles, des brûlures ou un incendie.
- **Garder la radio et sa poignée sèches, propres et exemptes d'huile ou de graisse.** Toujours utiliser un chiffon propre pour le nettoyage. Ne jamais utiliser de liquide de freins, d'essence ou de produits à base de pétrole pour nettoyer la radio. Le respect de cette consigne réduira les risques de perte de contrôle et d'endommagement du boîtier en plastique.
- **Les produits fonctionnant sur piles n'ayant pas besoin d'être branchés sur une prise secteur sont toujours en état de utilisation. Tenir compte des dangers possibles lorsque le produit fonctionnant sur pile n'est pas utilisé et lors du remplacement d'accessoires.** Le respect de cette consigne réduit les risques d'incendie, de choc électrique et de blessures graves.
- **Ne pas placer un produit fonctionnant sur pile ou sa pile à proximité de flammes ou d'une source de chaleur.** Ceci réduira les risques d'explosion et de blessures.
- **Ne pas écraser, faire tomber ou endommager le bloc de piles. Ne pas utiliser un bloc de piles ou un chargeur endommagé ou soumis à un choc violent.** Une pile endommagée risque d'exploser. Éliminer immédiatement toute pile endommagée, selon une méthode appropriée.
- **Les piles peuvent exploser en présence d'une source d'inflammation, telle qu'une veilleuse.** Pour réduire les risques de blessures graves, ne jamais utiliser un appareil sans fil, quel qu'il soit, en présence d'une flamme vive. En explosant, une pile peut projeter des débris et des produits chimiques. En cas d'exposition, rincer immédiatement les parties atteintes avec de l'eau.
- **Ne pas recharger un produit fonctionnant sur pile dans un endroit humide ou mouillé.** Le respect de cette règle réduira les risques de choc électrique.
- **Pour un résultat optimal, recharger le produit fonctionnant sur pile dans un local où la température est comprise entre 10 et 38 °C (50 et 100 °F).** Ne pas ranger le produit à

INSTRUCTIONS IMPORTANTES CONCERNANT LA SÉCURITÉ

l'extérieur ou dans un véhicule, afin de réduire le risque de blessures graves.

- **Si le produit est utilisé de façon intensive ou sous des températures extrêmes, des fuites de pile peuvent se produire. En cas de contact du liquide avec la peau, rincer immédiatement la partie atteinte avec de l'eau savonneuse. En cas de projection dans les yeux, les rincer à l'eau fraîche pendant au moins 10 minutes, puis contacter immédiatement un médecin.** Le respect de cette consigne réduira les risques de blessures graves.

- **Pour réduire le risque de blessures et de choc électrique, ne pas utiliser ni placer ce produit à la portée d'enfants en bas âge.**
- **Conserver ces instructions.** Les consulter fréquemment et les utiliser pour instruire les autres utilisateurs éventuels. Si cet produit est prêté, il doit être accompagné de ces instructions.

ÉNONCÉ DE LICENCE BLUETOOTH®

L'indice de l'œuvre et les logos sont des marques déposées par Bluetooth SIG, Inc. et toutes utilisations de telles marques par TECHTRONIC POWER TOOLS TECHNOLOGY LIMITED sont sous licence. Les autres marques de commerce et appellations commerciales sont la propriété de leurs propriétaires respectifs.

PROPOSITION 65 DE L'ÉTAT DE CALIFORNIE

AVERTISSEMENT :

Ce produit peut contenir des produits chimiques, notamment du plomb, identifiés par l'état de Californie comme causes de cancer, de malformations congénitales et d'autres troubles de l'appareil reproducteur. **Bien se laver les mains après toute manipulation.**

CONFORMITÉ AUX NORMES DE LA FEDERAL COMMUNICATIONS COMMISSION (FCC)

AVERTISSEMENT :

Toute modification apportée à l'unité qui n'a pas été expressément approuvée par le responsable de la conformité du produit pourrait suffire à révoquer le droit de l'utilisateur à se servir de l'équipement.




NOTE : Après avoir fait subir un essai à l'équipement, il a été déterminé que celui-ci est conforme aux normes relatives à un appareil numérique de classe B, selon la partie 15 des règles de la FCC. Cet appareil numérique de classe B est conforme à la norme canadienne ICES-003. Ces normes ont été fixées afin de fournir une protection raisonnable contre une interférence nuisible dans une installation résidentielle. Cet équipement produit et utilise de l'énergie RF. Si l'équipement n'est pas installé et utilisé conformément aux instructions, cela peut causer de l'interférence aux radiocommunications.

Toutefois, des interférences peuvent se produire dans une installation donnée. Si cet équipement ne produit aucun brouillage préjudiciable à la réception des signaux de radio ou de télévision, ce qui peut être déterminé en allumant et en éteignant l'appareil, on recommande à l'utilisateur de corriger l'interférence par l'une des mesures suivantes :








- Réorienter ou déplacer l'antenne de réception.
- Augmenter l'espacement entre l'équipement et le récepteur.
- Brancher l'équipement dans une prise différente de celle du récepteur.
- Consulter le marchand ou un technicien expérimenté en radiotélédiffusion pour obtenir de l'aide.

SYMBLES

Les termes de mise en garde suivants et leur signification ont pour but d'expliquer le degré de risques associé à l'utilisation de ce produit.

SYMBOLE	SIGNAL	SIGNIFICATION
	DANGER :	Indique une situation extrêmement dangereuse qui, si elle n'est pas évitée, aura pour conséquences des blessures graves ou mortelles.
	AVERTISSEMENT :	Indique une situation potentiellement dangereuse qui, si elle n'est pas évitée, pourrait entraîner des blessures graves ou mortelles.
	ATTENTION :	Indique une situation potentiellement dangereuse qui, si elle n'est pas évitée, pourrait entraîner des blessures légères ou de gravité modérée.
	AVIS :	(Sans symbole d'alerte de sécurité) Indique une information importante ne concernant pas un risque de blessure comme une situation pouvant occasionner des dommages matériels.

Certains des symboles ci-dessous peuvent être utilisés sur l'produit. Veiller à les étudier et à apprendre leur signification. Une interprétation correcte de ces symboles permettra d'utiliser l'produit plus efficacement et de réduire les risques.

SYMBOLE	NOM	DÉSIGNATION / EXPLICATION
	Symbole d'alerte de sécurité	Indique un risque de blessure potentiel.
	Lire le manuel d'utilisation	Toujours porter des lunettes de sécurité munies d'écrans latéraux et un masque facial intégral lors de l'utilisation de cet outil.
	Protection oculaire	Toujours porter une protection oculaire avec écrans latéraux certifiée conforme à la norme ANSI Z87.1.
	Avertissement de choc électrique	Indique la présence de matériaux non isolés à l'intérieur de l'unité qui peuvent provoquer des chocs électriques. Ne pas retirer le couvercle du produit.
	Avertissement concernant l'humidité	Ne pas exposer à la pluie ou l'humidité.
	Symboles de recyclage	Ce produit utilise les piles de nickel-cadmium (Ni-Cd) ou lithium-ion (Li-ion). Les réglementations locales ou gouvernementales peuvent interdire de jeter les piles dans les ordures ménagères. Consulter les autorités locales compétentes pour les options de recyclage et/ou l'élimination.
	Courant continu	Type ou caractéristique du courant
V	Volts	Tension
W	Watt	Alimentation
min	Minutes	Temps

ASSEMBLAGE

AVERTISSEMENT :

Ne pas utiliser le produit s'il n'est pas complètement assemblé ou si des pièces semblent manquantes ou endommagées. L'utilisation d'un produit dont l'assemblage est incorrect ou incomplet ou comportant des pièces endommagées ou absentes représente un risque de blessures graves.

AVERTISSEMENT :

Ne pas essayer de modifier cet outil ou de créer des pièces et accessoires non recommandés. De telles altérations ou modifications sont considérées comme un usage abusif et peuvent créer des conditions dangereuses, risquant d'entraîner des blessures graves.

Si des pièces manquent ou sont endommagées, veuillez appeler au 1-800-525-2579 pour obtenir de l'aide.

UTILISATION

AVERTISSEMENT :

Ne pas laisser la familiarité avec l'produit faire oublier la prudence. Ne pas oublier qu'une fraction de seconde d'inattention peut entraîner des blessures graves.

AVERTISSEMENT :

Toujours retirer le bloc-piles du produit et débrancher le cordon d'alimentation CC lors de l'assemblage de pièces, le nettoyage et si l'appareil n'est pas utilisé. Le fait de retirer ces sources d'énergie permet empêchera une mise sous tension accidentelle pouvant provoquer des blessures graves.

AVERTISSEMENT :

Cette radio n'est pas imperméable. Ne pas immerger dans aucun liquide. Pour réduire le risque d'incendie et de décharge électrique occasionné par les endroits humides, utiliser les piles pour alimenter la radio. Le non-respect de cet avertissement pourrait provoquer des blessures graves.

AVIS :

Toujours consulter ce manuel pour connaître l'utilisation des dispositifs et accessoires recommandés. L'opérateur est responsable de l'utilisation adéquate de tout dispositif raccordé à la radio de chantier. Une mauvaise utilisation peut endommager le dispositif ou le produit.

AVERTISSEMENT :

La radio est suffisamment puissante pour occasionner des problèmes auditifs à long terme. L'écoute de la musique à un niveau sonore élevé pendant une certaine période peut entraîner une perte auditive attribuable au bruit. Plus le niveau sonore est élevé, moins il faudra de temps pour endommager l'ouïe.

APPLICATIONS

Il est possible d'utiliser ce produit pour les tâches énumérées ci-dessous :

- Écouter la radio (sur la bande FM ou AM), un lecteur MP3 ou un autre appareil audio; charge de dispositifs équipés de prise USB
- Charge de dispositifs équipés de prise USB
- Dispositifs de lecture audio en transit activés par BLUETOOTH®

INSTALLATION / RETRAIT DE LA PILES AAA

Voir la figure 1, page 9.

Il est recommandé de prendre en note les canaux enregistrés avant de remplacer les piles de l'horloge.

L'utilisateur dispose d'un délai de 15 secondes pour remplacer les piles AAA. Si les nouvelles piles ne sont pas installées dans ce délai, tous les réglages de la radio qui ont été mis en mémoire seront perdus. Il sera alors nécessaire de la reprogrammer.

Utiliser des piles de rechange alcalines neuves.

AVERTISSEMENT :

Une pile mal installée représente un risque d'explosion. La remplacer uniquement par une pile de type identique ou équivalent.

- Retirer le bloc-piles, s'il est installé.
- Ouvrir la porte extérieure située à l'arrière de la radio pour accéder au couvercle du compartiment des piles.
- Installer deux nouvelles piles AAA en respectant les indicateurs de polarité se trouvant à l'intérieur du compartiment des piles.

NOTE : Ne mélangez pas des piles neuves et usées. Ne jumelez pas des piles alcalines, régulières (carbone - zinc), ou rechargeables au nickel cadmium.

- Remettre le couvercle du compartiment des piles et le serrer à l'aide d'une vis pour fixer.

INSTALLATION / RETRAIT DE LA BLOC-PILE

Voir la figure 2, page 9.

Installer le bloc-piles :

- Placer la pile dans la radio et aligner la nervure surélevée de la pile avec la rainure du compartiment pour pile de la radio.

UTILISATION

- S'assurer que les attaches de chaque côté de la pile s'enclenchent en place et que la pile est bien fixée dans la radio avant de commencer l'utilisation.
- Appuyer sur les attaches de part et d'autre de la pile pour la retirer.

NOTE : Toujours retirer le bloc-piles de la radio lorsqu'elle n'est pas utilisée.

RABBATABLE ANTENNE FLEXIBLE

Pour diminuer les interférences ou les bruits électriques, tourner l'antenne ou déplacer la radio à un endroit plus élevé. L'antenne pliable peut être déplacée lorsqu'elle n'est pas utilisée.

AFFICHEUR ACL

Lorsque le bloc-piles est installé et que la radio est en marche (ON), l'afficheur ACL indiquera l'heure, la fréquence, le mode et les réglages. L'afficheur indiquera seulement l'heure lorsque le bloc-piles est enlevé et remplacé par des piles AAA.

NOTE : Les images de l'afficheur ACL présentées dans le manuel d'utilisation constituent seulement des exemples de fréquences qu'il est possible de voir sur la radio. Il ne s'agit pas de fréquences exactes qu'il est possible de syntoniser.

BOUTONS DE NAVIGATION INTRAMENU

Voir la figure 3, page 9.

Utiliser les boutons de navigation intramenu pour allumer ou éteindre la radio, régler le volume, modifier les fréquences et basculer entre les modes et pour régler l'heure.

MISE EN MARCHÉ ET HORS TENSION DE LA RADIO :

Appuyer sur le bouton On/Off (marche/arrêt) afin de mettre la radio en marche et à l'arrêt.

Lorsque la radio est en marche et qu'un bloc-piles alimente le lecteur, le symbole de piles s'affichera à l'écran ACL. Si la charge du bloc-piles est faible, le témoin de l'indicateur de niveau de charge du bloc-piles s'affichera.

RÉGLAGE DU VOLUME :

Lorsque la radio est allumée, elle revient au dernier réglage de volume utilisé.

- Pour augmenter le volume: appuyer le bouton de « **VOL +** » (volume vers le haut).
- Pour réduire le volume: appuyer le bouton de « **VOL -** » (volume vers le bas).

SÉLECTION DU MODE :

Appuyer sur le bouton **MODE** pour naviguer sur tous les modes disponibles. La radio comprend les quatre modes suivants :

- Le mode « FM »
- Le mode « AM »
- Le mode « AUX »
- Le mode « BLUETOOTH® »

NOTE : Au moment d'allumer la radio, cette dernière retournera au dernier mode utilisé si les piles n'ont pas été enlevées. En cas de panne de courant, l'afficheur de la radio retournera en mode FM par défaut.

SYNTONISATION FM / AM :

Les flèches gauche et droite sur le bouton **SCAN** sont utilisés pour syntoniser la fréquence radio désirée. La fréquence sélectionnée apparaît sur l'afficheur ACL.

- Appuyer et relâcher le bouton avec flèche gauche pour syntoniser une fréquence plus basse. Appuyer et relâcher le bouton avec flèche droite pour syntoniser une fréquence plus haute.
- Appuyer rapidement sur l'un des deux boutons (ne pas le maintenir enfoncé) pour syntoniser une fréquence une étape à la fois.
- Pour diminuer les interférences ou les bruits électriques, tourner l'antenne ou déplacer la radio à un endroit plus élevé.

MISE EN MÉMOIRE DES CANAUX PRÉRÉGLÉS :

La fonction de mise en mémoire permet d'enregistrer jusqu'à 20 fréquences à titre de canaux préréglés dans la mémoire de la radio. Vous pouvez sauvegarder dix (10) fréquences FM et dix (10) fréquences AM.

- Syntoniser la fréquence désirée manuellement.
- Appuyer et maintenir le bouton **PRESET** (préréglage) enfoncé jusqu'à ce que le mot « MEMORY » (mémoire) et que le numéro de position préréglée clignote sur l'afficheur.
- Appuyer le bouton **SCAN** (balayage) gauche ou la droite pour choisir un numéro de position préréglé.

NOTE : Il y a dix (10) positions préréglées pour la bande FM et dix (10) positions préréglées pour la bande AM. Une seule station peut être sauvegardée à chaque position préréglée.

- Appuyer à nouveau sur le bouton **PRESET** (préréglage) pour enregistrer la fréquence.

POUR SYNTONISER LES PRÉRÉGLAGES (MODE FM OU AM) :

- Appuyer et relâcher le bouton **PRESET** (préréglage) pour naviguer parmi chaque numéro de position préréglé et sa fréquence dédiée.

RÉGLAGE DE L'HORLOGE :

L'heure apparaît sur l'afficheur ACL si la radio est allumée.

- Appuyer et maintenir le bouton CLK/DSPY enfoncé jusqu'à ce que l'heure clignote à l'afficheur.
- Appuyez sur le bouton **VOL +** ou **VOL -** pour sélectionner l'heure.

NOTE : L'heure ne s'affiche qu'au format 12 heures seulement. Pour sélectionner une heure près midi et avant minuit, faire défiler les heures jusqu'à ce que PM apparaisse sur l'afficheur.

- Appuyer et maintenir le bouton CLK/DSPY enfoncé pour verrouiller le réglage de l'heure. Les minutes commenceront à clignoter.
- Appuyez sur le bouton **VOL +** ou **VOL -** pour sélectionner le numéro désiré.
- Appuyer et maintenir le bouton CLK/DSPY enfoncé pour confirmer l'heure.

UTILISATION

UTILISATION D'UN TÉLÉPHONE / LECTEUR MP3 (NON INCLUS) AVEC RADIO DE CHANTIER

Voir la figure 4, page 10.

- Appuyer sur le bouton **MODE** jusqu'à ce que le menu **AUX** soit en surbrillance.
- La courroie de retenue peut être utilisée pour maintenir un dispositif en place.
- Brancher le connecteur auxiliaire (pas inclus) à la dispositif.
- Le téléphone ou le lecteur MP3 doit être sous tension ou en mode lecture pour que les haut-parleurs puissent diffuser le son.
- Toutes les commandes du téléphone ou du lecteur MP3 peuvent être utilisées normalement lorsque ces dispositifs sont raccordés à la radio.

NOTE : Le volume de tout dispositif branché par la prise AUX peut être réglé à l'aide de la commande de volume de ce dispositif ou à l'aide du bouton de volume de la radio.

- Éteindre la radio n'éteindra PAS le téléphone ou le lecteur MP3.
- Le connecteur auxiliaire NE PERMET PAS la recharge.
- Pour connaître les instructions de fonctionnement du dispositif raccordé, toujours consulter le manuel livré avec le dispositif.

UTILISATION D'UN DISPOSITIF (NON FOURNI) ACTIVÉ PAR BLUETOOTH® AVEC LA RADIO

Voir la figure 5, page 10.

- Appuyer sur le bouton **MODE** jusqu'à ce le mode **BLUETOOTH®** soit en surbrillance.
- Lorsque la radio passe au mode BLUETOOTH®, l'appareil tentera l'appariement avec un dispositif activé par BLUETOOTH® et « bt » clignotera sur l'afficheur ACL.

NOTE : La radio tentera automatiquement la connexion vers le dernier dispositif apparié. Si la connexion ne peut être établie dans les cinq secondes, la radio passera en mode de disponibilité pour les autres dispositifs activés par BLUETOOTH®.

- Les dispositifs activés par BLUETOOTH® doivent se trouver à une distance de portée inférieure à 9,1 m (30 pi) de la radio et le mode de recherche/balayage doit être activé afin de pouvoir appairer le dispositif avec la radio.
- Sélectionner « RYOBI Radio » sur la liste des signaux disponibles pour BLUETOOTH® pour appairer le dispositif

avec la radio. Aucun mot de passe ou d'identification n'est requis pour effectuer la connexion.

- Lorsque l'appariement du dispositif avec la radio est réussi, le mot « bt » ne clignotera plus.

NOTE : Lorsque le dispositif est apparié avec la radio, les renseignements de connexion du dispositif sont sauvegardés dans la mémoire de la radio.

- Lors de la lecture audio en transit avec un dispositif activé par BLUETOOTH®, appuyez sur le bouton **SCAN** (balayage) gauche ou la droite pour passer à la piste suivante ou précédente. Appuyer et relâcher rapidement le bouton **PRESET** (préréglage) pour basculer entre la mode pause ou lecture de piste audio.

NOTE : Ces commandes ne sont peut-être pas supportées par le dispositif ou l'application que vous utilisez.

- Toutes les commandes de dispositif activé par peuvent normalement être utilisées pendant l'appariement avec la radio.

NOTE : Le volume de tous les dispositifs appariés à la radio peut être réglé en utilisant la commande de volume du dispositif ou les boutons **VOL +** et **VOL -** de la radio.

- Pour déconnecter un dispositif activé par BLUETOOTH®, appuyer et maintenir le bouton **PRESET** (préréglage) enfoncé. Lorsque le dispositif est déconnecté, le mot « bt » clignotera sur l'afficheur ACL et la radio commencera la recherche d'un autre dispositif.

UTILISATION DU PORT USB DÉDIÉ À LA CHARGE

Le port de charge USB dédié offre une puissance de charge de 5 V CC et jusqu'à 1 ampère pour le téléphone cellulaire, le lecteur MP3 ou autres dispositifs USB.

AVIS :

Tenter de charger des dispositifs ayant une caractéristique nominale de plus de 1 ampère, comme une tablette, risque d'endommager le port de charge USB dédié et le dispositif.

- Brancher une extrémité du câble USB (non fourni) au dispositif USB.
- Brancher l'autre extrémité du câble USB (non fourni) au port de charge USB dédié pour commencer la charge du dispositif.

NOTE : Le port de charge USB dédié n'est qu'une source d'alimentation et n'offre aucune capacité de communication.

ENTRETIEN

AVERTISSEMENT :

Utiliser exclusivement des pièces d'origine pour les réparations. L'usage de toute autre pièce pourrait créer une situation dangereuse ou endommager l'produit.

AVERTISSEMENT :

Ne jamais laisser de liquides tels que le fluide de freins, l'essence, les produits à base de pétrole, les huiles pénétrantes, etc., entrer en contact avec les pièces en plastique. Les produits chimiques peuvent endommager, affaiblir ou détruire le plastique, ce qui peut entraîner des blessures graves.

ENTRETIEN GÉNÉRAL

Éviter d'utiliser des solvants pour le nettoyage des pièces en plastique. La plupart des matières plastiques peuvent être endommagées par divers types de solvants du commerce. Utiliser un chiffon propre pour éliminer la saleté, la poussière, l'huile, la graisse, etc.

**NOTE : ILLUSTRATIONS COMMENÇANT SUR 9 DE PAGE
APRÈS LE SECTION ESPAGNOL.**

INSTRUCCIONES DE SEGURIDAD IMPORTANTES

¡ADVERTENCIA!

LEA ESTAS INSTRUCCIONES. El incumplimiento de las instrucciones señaladas abajo puede causar descargas eléctricas, incendios y/o lesiones serias.

GUARDE ESTAS INSTRUCCIONES

PRESTE ATENCIÓN A TODAS LAS ADVERTENCIAS

SIGA TODAS LAS INSTRUCCIONES

- **No use este aparato cerca del agua.**
- **Limpie sólo con un paño seco.**
- **No bloquee ninguna de las aberturas de ventilación.** Instale de acuerdo con las instrucciones del fabricante.
- **No la utilice cerca de fuentes de calor, como radiadores, rejillas de calefacción central, estufas u otros dispositivos (incluso amplificadores) que irradian calor.**
- **Utilice solamente los aditamentos o accesorios especificados por el fabricante.**
- **Remita todo servicio de mantenimiento a personal técnico calificado.** Es necesario dar mantenimiento al aparato si ha sufrido cualquier tipo de daño, p. ej., se ha derramado líquido o han caído objetos dentro del aparato, si el mismo ha estado expuesto a lluvia o humedad, no funciona normalmente o se ha dejado caer.
- **Al dar servicio a un producto, sólo utilice piezas de repuesto idénticas. Siga las instrucciones señaladas en la sección Mantenimiento de este manual.** El empleo de piezas no autorizadas o el incumplimiento de las instrucciones de mantenimiento puede significar un riesgo de descarga eléctrica o de lesiones.
- **Familiarícese con el producto. Lea cuidadosamente el manual del operador. Aprenda sus aplicaciones y limitaciones así como los posibles peligros específicos de este producto.** Con el cumplimiento de esta regla se reduce el riesgo de una descarga eléctrica, incendio o lesión seria.
- **No utilice productos en entornos explosivos, como los existentes alrededor de líquidos, gases y polvos inflamables.** Los productos generan chispas que pueden encender el polvo y los vapores inflamables.

SEGURIDAD ELÉCTRICA

- **Los productos de baterías, ya sean de baterías integradas o de paquete de baterías separado, deben recargarse únicamente con el cargador especificado para la batería.** Un cargador que puede ser adecuado para un tipo de batería puede significar un riesgo de incendio si se emplea con otro tipo de batería.
- **Utilice el producto sólo con la batería específicamente indicada.** El empleo de baterías diferentes puede presentar un riesgo de incendio.
- **Cargue la batería solamente con el cargador indicado.** Para utilizar con paquetes de baterías de níquel-cadmio de 19 V o de iones de litio de 19 V, consulte el folleto de la herramienta/aparato/paquete de baterías/cargador complementario 987000-432.

SEGURIDAD PERSONAL

- **No utilice la unidad al estar en una escalera o en un soporte inestable.** Una postura estable sobre una superficie sólida permite un mejor control del producto en situaciones inesperadas.
- **No escuche música u otros programas de audio en la radio mientras opera maquinaria.** La inobservancia de esta advertencia puede provocar distracciones y causar lesiones graves.
- **Esta radio produce niveles de sonido que pueden afectar la audición de forma permanente.** Escuchar música a un volumen alto durante un determinado tiempo puede causar una pérdida de la audición inducida por el ruido. Cuanto más alto sea el volumen, la audición se verá afectada en menos tiempo.

EMPLEO Y CUIDADO DEL PRODUCTO

- **Cuando no esté usando la batería, manténgala alejada de todo objeto metálico como: clips, monedas, llaves, clavos, tornillos y otros objetos metálicos pequeños que puedan establecer conexión entre ambas terminales.** Al establecer una conexión directa entre las dos terminales se puede causar chispas, quemaduras o incendios.
- **Mantenga la radio y el mango secos, limpios y sin aceite ni grasa.** Siempre utilice un paño limpio para limpiar la unidad. Nunca utilice fluidos para frenos, gasolina, productos a base de petróleo ni solventes fuertes para limpiar la radio. Con el cumplimiento de esta regla se reduce el riesgo de una pérdida de control y el deterioro del alojamiento de plástico de la unidad.
- **No se necesita conectar a una toma de corriente los productos de baterías, por lo tanto, siempre están en condiciones de funcionamiento. Esté consciente de los posibles peligros cuando no esté usando el producto de baterías o cuando esté cambiando los accesorios de la misma.** Con el cumplimiento de esta regla se reduce el riesgo de una descarga eléctrica, incendio o lesión corporal seria.
- **No coloque productos de baterías ni las baterías mismas cerca del fuego o del calor.** De esta manera se reduce el riesgo de explosiones y de lesiones.
- **No aplaste, deje caer o dañe el paquete de baterías. No utilice el paquete de baterías ni el cargador si han sufrido una caída o un golpe contundente.** Las baterías dañadas pueden sufrir explosiones. Deseche de inmediato toda batería que haya sufrido una caída o que haya sido dañada.
- **Las baterías pueden explotar en presencia de fuentes de inflamación, como los pilotos de gas.** Para reducir el riesgo de lesiones serias, nunca use un producto inalámbrico en presencia de llamas expuestas. La explosión de una batería puede lanzar fragmentos y compuestos químicos. Si ha estado expuesto a la explosión de una batería, lávese de inmediato con agua.
- **No cargue la batería en lugares mojados o húmedos.** Con el cumplimiento de esta regla se reduce el riesgo de una descarga eléctrica.
- **Para obtener resultados óptimos, debe cargar el producto de baterías en un lugar donde la temperatura esté entre 10 °C (50 °F) y 30 °C (100 °F).** Para reducir el

INSTRUCCIONES DE SEGURIDAD IMPORTANTES

riesgo de sufrir lesiones personales graves, no guarde el producto a la intemperie ni en el interior de vehículos.

- **En condiciones extremas de uso o temperatura las baterías pueden emanar líquido. Si el líquido llega a tocarle la piel, lávese de inmediato con agua y jabón. Si le entra líquido en los ojos, láveselos con agua limpia por lo menos 10 minutos, y después busque de inmediato atención médica.** Con el cumplimiento de esta regla se reduce el riesgo de lesiones serias.

- **Para reducir el riesgo de lesiones personales y descargas eléctricas, no debe usarse ni colocarse el producto en lugares al alcance de los niños.**
- **Guarde estas instrucciones.** Consúltelas con frecuencia y empléelas para instruir a otras personas que puedan utilizar esta producto eléctrica. Si presta a alguien esta producto eléctrica, facilítele también las instrucciones.

DECLARACIÓN DE LICENCIA DE BLUETOOTH®

La marca y los logotipos Bluetooth® son marcas comerciales registradas de Bluetooth SIG, Inc. y cualquier uso de dichas marcas por TECHTRONIC POWER TOOLS TECHNOLOGY LIMITED se realiza bajo licencia. Los demás nombres y marcas comerciales son propiedad de sus respectivos dueños.

CALIFORNIA - PROPUESTA DE LEY NÚM. 65

ADVERTENCIA:

Este producto puede contener sustancias químicas (por ejemplo, plomo) reconocidas por el estado de California como causantes de cáncer, defectos congénitos y otras afecciones del aparato reproductor. Lávese las manos después de utilizar el aparato.

CUMPLIMIENTO DE LAS NORMAS DE LA FCC

ADVERTENCIA:

Los cambios o modificaciones hechos a esta unidad sin la autorización expresa del responsable del cumplimiento de la norma podrían anular la autoridad del usuario para manejar el equipo.




NOTA: Se ha verificado y determinado que este equipo cumple con los límites correspondientes a los dispositivos digitales de Clase B, de acuerdo con la Parte 15 de las Normas de la FCC. Este aparato digital de clase B cumple con la norma ICES-003 canadiense. Estos límites están establecidos para proporcionar una protección razonable contra la interferencia dañina en las instalaciones residenciales. Este equipo genera, utiliza y puede irradiar energía de frecuencia de radio, y si no se instala y emplea de conformidad con las instrucciones, puede causar interferencia dañina a las radiocomunicaciones.

No obstante, no hay garantía de que no ocurrirá ninguna interferencia en cada instalación en particular. Si este equipo causa interferencia dañina en la recepción de radio o televisión, lo cual puede determinarse apagando y luego encendiendo el equipo, se exhorta al usuario a tratar de corregir la interferencia tomando una o más de las siguientes medidas:








- Cambiar la orientación o ubicación de la antena receptora.
- Aumentar la separación entre el equipo y el aparato receptor.
- Conectar el equipo en una toma de corriente de un circuito diferente al que esté conectado el aparato receptor.
- Consultar al concesionario o a un técnico experimentado de radio y TV para que le brinden ayuda.

SÍMBOLOS

Las siguientes palabras de señalización y sus significados tienen el objeto de explicar los niveles de riesgo relacionados con este producto.

SÍMBOLO	SEÑAL	SIGNIFICADO
	PELIGRO:	Indica una situación peligrosa inminente, la cual, si no se evita, causará lesiones graves o mortales.
	ADVERTENCIA:	Indica una situación peligrosa posible, la cual, si no se evita, podría causar lesiones graves o mortales.
	PRECAUCIÓN:	Indica una situación peligrosa posible, la cual, si no se evita, podría causar lesiones menores o leves.
	AVISO:	(Sin el símbolo de alerta de seguridad) Indica información importante no relacionada con ningún peligro de lesiones, como una situación que puede ocasionar daños físicos.

Es posible que se empleen en esta herramienta algunos de los siguientes símbolos. Le suplicamos estudiarlos y aprender su significado. Una correcta interpretación de estos símbolos le permitirá utilizar mejor y de manera más segura la herramienta.

SÍMBOLO	NOMBRE	DENOMINACIÓN/EXPLICACIÓN
	Alerta de seguridad	Indica un peligro posible de lesiones personales.
	Lea el manual del operador	Para reducir el riesgo de lesiones, el usuario debe leer y comprender el manual del operador antes de usar este producto.
	Protección ocular	Siempre póngase protección ocular con protección lateral con la marca de cumplimiento de la norma ANSI Z87.1.
	Alerta de descarga eléctrica	Indica material no aislado dentro de la unidad que puede causar una descarga eléctrica. No retire la cubierta del producto.
	Alerta de condiciones húmedas	No exponga la unidad a la lluvia ni la use en lugares húmedos.
	Símbolo de reciclado	Este producto contiene baterías de níquel-cadmio (Ni-Cd) o iones de litio (Li-ion). Es posible que algunas leyes municipales, estatales o federales prohíban desechar las baterías de níquel-cadmio en la basura normal. Consulte a las autoridades reguladoras de desechos para obtener información en relación con las alternativas de reciclado y desecho disponibles.
	Courant continu	Type ou caractéristique du courant
V	Volts	Tension
W	Watt	Puissance
min	Minutes	Temps

ARMADO

ADVERTENCIA:

No use este producto si no está totalmente ensamblado o si alguna pieza falta o está dañada. El uso de un producto que no está adecuadamente y completamente ensamblado o posee partes dañadas o faltantes puede resultar en lesiones personales graves.

ADVERTENCIA:

No intente modificar este producto ni crear aditamentos o accesorios que no estén recomendados para usar con este producto. Dichas alteraciones o modificaciones constituyen un uso indebido y podrían provocar una situación de riesgo que cause posibles lesiones personales graves.

Si hay piezas dañadas o faltantes, le suplicamos llamar al 1-800-525-2579, donde le brindaremos asistencia.

FUNCIONAMIENTO

ADVERTENCIA:

No permita que su familiarización con la producto lo vuelva descuidado. Tenga presente que un descuido de un instante es suficiente para causar una lesión seria.

ADVERTENCIA:

Retire siempre las baterías del producto cuando está ensamblando partes, limpiando el aparato, o mientras no lo utiliza. Al retirar el paquete de baterías se evita arrancar accidentalmente la unidad, lo cual puede causar lesiones serias.

ADVERTENCIA:

La radio no es a prueba de agua. No lo sumerja en líquidos. La inobservancia de esta advertencia podría causar lesiones personales serias.

AVISO:

Para usar cualquier dispositivo que se utilice como accesorio o complemento, consulte siempre el manual. El uso correcto de cualquier dispositivo cuando se lo conecta al radio para el lugar de trabajo es total responsabilidad del operador. El uso indebido puede dañar el dispositivo o el producto.

ADVERTENCIA:

Este radio produce niveles de sonido que pueden ser peligrosos en exposiciones prolongadas. Escuchar música a un volumen alto durante cualquier extensión de tiempo puede producir una pérdida auditiva inducida por el ruido. Cuanto más alto esté el volumen, menos será el tiempo necesario para que su audición se vea afectada.

USOS

Este producto puede emplearse para la fine siguientes:

- Escuchar radio FM/AM, reproductores de MP3, y otros dispositivos de audio
- Carga de dispositivos aptos para USB

- Transmisión de audio desde los dispositivos habilitados para BLUETOOTH®

PARA INSTALAR/REEMPLAZAR LAS BATERÍAS AAA

Vea la figura 1, página 9.

Se recomienda tomar nota de los canales guardados antes de reemplazar las baterías AAA.

Hay un margen de 15 segundos para reemplazar las baterías AAA. Si las baterías no se reemplazan en el término de 15 segundos, la radio pierde todas las configuraciones guardadas previamente en la memoria, y se las debe reprogramar.

Siempre reemplace las baterías con baterías alcalinas nuevas.

ADVERTENCIA:

Si coloca la batería incorrectamente, esto puede generar un peligro de explosión. Reemplace la batería por otra del mismo tipo o equivalente.

- Retire el paquete de baterías, en caso de estar instalado.
- Aflojar el tornillo de la tapa de las baterías. Retire la tapa de las baterías y colóquela a un lado.
- Instale dos baterías AAA nuevas de la forma indicada por las marcas de polaridad situadas dentro del compartimiento de las baterías.

NOTA: No mezcle las baterías viejas con las nuevas. No mezcle alcalinas, estándar (zinc-carbón), o rechargeable baterías recargables (níquel-cadmio).

- Reemplace la tapa de las baterías y asegúrela con el tornillo.

PARA INSTALAR/REEMPLAZAR PAQUETE DE BATERÍAS

Vea la figura 2, página 5.

Para instalar el paquete de baterías:

- Coloque el paquete de baterías en la radio, alineando la costilla realzada del paquete de baterías con la ranura en el receptáculo para baterías.
- Asegúrese de que los pestillos situados a ambos lados del paquete de baterías entren completamente en su lugar y de que el paquete quede bien asegurado en la radio antes de empezar a utilizarla.
- Oprima los pestillos para soltar el paquete de baterías.

FUNCIONAMIENTO

NOTA: Retire siempre el paquete de baterías de la radio cuando no se utiliza.

ANTENA FLEXIBLE PLEGABLE

Para disminuir la interferencia o el ruido eléctrico, la recepción puede mejorarse la antena o moviendo la estéreo a un lugar más elevado.

PANTALLA DE CRISTAL LÍQUIDO

Cuando se instala un paquete de baterías y la radio es en la posición de ENCENDIDO, en la pantalla de cristal líquido aparecerán la hora, la frecuencia, el modo y los ajustes. Cuando se retira el paquete de baterías y se instalan baterías AAA, en la pantalla de cristal líquido se mostrará solo la hora.

NOTA: Las ilustraciones de la pantalla de cristal líquido que se muestran en este manual son sólo ejemplos de las frecuencias que usted puede ver en su radio, y no son las frecuencias exactas que puede elegir para escuchar.

BOTONES DEL MENÚ DE NAVEGACIÓN

Vea la figura 3, página 9.

Utilice los botones del menú de navegación para encender y apagar la radio, controlar el volumen, cambiar las frecuencias, alternar entre los modos y configurar la hora.

ENCENDIDO Y APAGADO DE LA RADIO:

Oprima la botón encendido/apagado para encender o apagar la radio.

Cuando la radio está encendida y se instala un paquete de baterías aparecerá el símbolo en la pantalla LCD. Si la batería tiene poca carga, se mostrará un indicador de batería baja intermitente.

AJUSTE DEL VOLUMEN:

Cuando está encendida, la radio regresa al último volumen utilizado.

- Para aumentar el volumen, presione el botón **VOL +**.
- Para disminuir el volumen, presione el botón **VOL -**.

SELECCIÓN DE MODO:

Para cambiar los modos, presione el botón de **MODE**. El modo seleccionado se muestra arriba la frecuencia. Presione el botón de **MODE** hasta seleccionar el modo deseado. Hay cuatro modos:

- Modo FM
- Modo AM
- Modo AUX
- BLUETOOTH® mode

NOTA: Cuando la radio esté encendida volverá al último modo en la que se la usó si no se desconectó la batería. En el caso de que la radio no tenga alimentación eléctrica, la pantalla irá al modo FM de forma predeterminada.

SINTONIZACIÓN FM/AM:

Los botones **SCAN** con las flechas hacia la izquierda y la derecha se usan para sintonizar la radiofrecuencia deseada. La pantalla de cristal líquido mostrará la frecuencia seleccionada.

- Presione y suelte el botón con la flecha hacia la izquierda para sintonizar una frecuencia más baja. Presione y suelte

el botón con la flecha hacia la derecha para sintonizar una frecuencia más alta.

- Presione brevemente cualquiera de los botones (no presione y mantenga presionado) para sintonizar un paso la vez.
- Para disminuir la interferencia o los ruidos eléctricos, ajuste el posición de antena o mueva la radio/cargador a un lugar más alto.

GUARDAR UNA FRECUENCIA PREFIJADA EN LA MEMORIA:

La función de la memoria guarda hasta 20 frecuencias prefijadas en la memoria de la radio. Puede guardar hasta diez (10) frecuencias en cada uno de los modos: FM y AM.

- Sintonice la frecuencia que desea guardar (FM o AM).
- Presione y sostenga el botón **PRESET** hasta que la palabra "MEMORY" y el número de posición preestablecida parpadeen en la pantalla.
- Presione el botón **SCAN** izquierda o derecha para elegir un número de posición preestablecida.

NOTA: Hay diez (10) posiciones preestablecidas para FM y diez (10) para AM. Solo se puede guardar una estación en cada posición preestablecida.

- Presione el botón **PRESET** nuevamente para guardar la frecuencia.

PARA SINTONIZAR FRECUENCIAS PREFIJADAS (MODO FM O AM):

- Presione y suelte el botón **PRESET** para desplazarse por cada número de posición preestablecida y su frecuencia asociada.

AJUSTAR EL RELOJ:

La hora aparece en la pantalla de cristal líquido cuando la radio está encendida.

- Presione y sostenga el botón **CLK/DSPY** hasta que el número que representa las horas destellará encendiéndose y apagándose.
- Presione el botón **VOL +** o **VOL -** para configurar la hora.

NOTE: La hora se muestra solamente en un formato de 12 horas. Para seleccionar una hora después del mediodía y antes de la medianoche, desplácese por las horas hasta que aparezca "PM" en la pantalla.

- Presione y suelte el botón **CLK/DSPY** para establecer la hora fijada. El número que representa los minutos destellará encendiéndose y apagándose.
- Presione el botón **VOL +** o **VOL -** para configurar los minutos.
- Presione y suelte el botón **CLK/DSPY** nuevamente para establecer la hora.

CÓMO USAR UN TELÉFONO/ REPRODUCTOR DE MP3 (NO INCLUIDO) CON LA RADIO

Vea la figura 4, página 10.

- Presione el botón **MODE** button until **AUX** mode is highlighted.
- Se puede utilizar la correa de fijación para asegurar la unidad en una posición.
- Conecte el cable auxiliar (no incluido) al unidad.

FUNCIONAMIENTO

- El teléfono/reproductor de MP3 debe estar encendido y en modo "play" (en funcionamiento) para que el sonido pueda oírse a través de los parlantes.

- Todos los teléfonos/reproductores de MP3 pueden usarse normalmente mientras estén conectados al radio.

NOTA: El volumen para cualquier dispositivo conectado a través del cable auxiliar se puede ajustar con el control de volumen de ese dispositivo, o con los botones **VOL +** o **VOL -** en la radio.

- Apagar la radio NO apaga el teléfono/reproductor de MP3.

- El cable auxiliar NO sirve para cargar dispositivos.

- Para obtener las instrucciones completas sobre el funcionamiento del aparato conectado, consulte siempre el manual que se incluye con el aparato.

USO DE UN DISPOSITIVO HABILITADO PARA BLUETOOTH® (NO SUMINISTRADO) CON LA RADIO

Vea la figura 5, página 10.

- Presione el botón **MODE** hasta que el modo **BLUETOOTH®** aparezca resaltado.

- Cuando el modo de la radio se cambia a **BLUETOOTH®**, la unidad intentará emparejarse con un dispositivo habilitado para **BLUETOOTH®** y "bt" se iluminará en la pantalla de cristal líquido.

NOTA: La radio automáticamente intentará conectarse con el último dispositivo con el que se emparejó. Si no se puede establecer una conexión dentro de cinco segundos, la radio se pondrá a disposición de otros dispositivos habilitados para **BLUETOOTH®**.

- Los dispositivos habilitados para **BLUETOOTH®** deben estar dentro de 30 pies de la radio y configurados para buscar/recorrer a fin de emparejarse con la radio.

- Seleccione "Radio RYOBI" en la lista de señales **BLUETOOTH®** disponibles de su dispositivo para emparejar el dispositivo con la radio. No se requiere ninguna contraseña o PIN para la conexión.

- Una vez que el dispositivo se haya emparejado satisfactoriamente con la radio, "bt" dejará de parpadear.

NOTA: Cuando un dispositivo se empareja con la radio, la información de conexión con el dispositivo se guarda en la memoria de la radio.

- Al transmitir audio desde un dispositivo habilitado para **BLUETOOTH®**, presione el botón **SCAN** izquierda o derecha para ir a la pista anterior o siguiente. Brevemente presione y suelte el botón **PRESET** para alternar entre pausar y reproducir el audio.

NOTA: Es posible que estos controles no sean compatibles con el dispositivo **BLUETOOTH®** y/o la aplicación que está utilizando.

- Todos los controles del dispositivo habilitado para **BLUETOOTH®** se pueden utilizar normalmente mientras este está emparejado con la radio.

NOTA: El volumen de cualquier dispositivo emparejado con la radio se puede ajustar mediante el control de volumen de ese dispositivo o con los botones **VOL +** o **VOL -** en la radio.

- Para desconectar el dispositivo habilitado para **BLUETOOTH®**, presione y sostenga el botón **PRESET**. Una vez que se haya desconectado el dispositivo, "bt" comenzará a parpadear en la pantalla de cristal líquido y la radio comenzará a buscar otro dispositivo.

CÓMO USAR EL PUERTO DE CARGA EXCLUSIVO PARA USB

El puerto de carga exclusivo para USB proporciona potencia de carga de 5 voltios CC de hasta 1 amperio para su teléfono celular, reproductor de MP3 u otros dispositivos USB.

AVISO:

Si intenta cargar dispositivos de más de 1 amperio, como una tableta, el puerto de carga exclusivo para USB y/o el dispositivo podrían dañarse.

- Conecte un extremo de un cable USB (no suministrado) a su dispositivo USB.

- Conecte el otro extremo del cable USB (no suministrado) al puerto de carga exclusivo para USB para comenzar a cargar el dispositivo.

NOTA: El puerto de carga exclusivo para USB suministra solamente corriente eléctrica; no aporta capacidad de comunicación.

MANTENIMIENTO

ADVERTENCIA:

Para el servicio de la unidad sólo utilice piezas de repuesto idénticas. El empleo de piezas diferentes puede presentar un peligro o causar daños al producto.

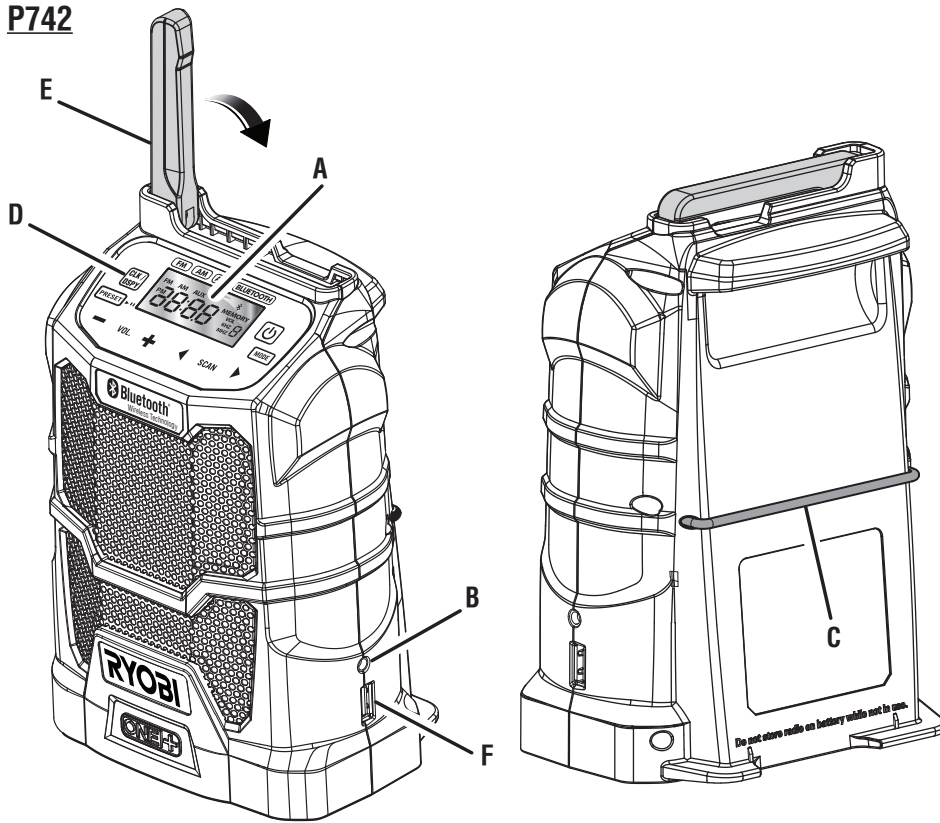
ADVERTENCIA:

No permita en ningún momento que fluidos para frenos, gasolina, productos a base de petróleo, aceites penetrantes, etc., lleguen a tocar las piezas de plástico. Las sustancias químicas pueden dañar, debilitar o destruir el plástico, lo cual a su vez puede producir lesiones serias.

MANTENIMIENTO GENERAL

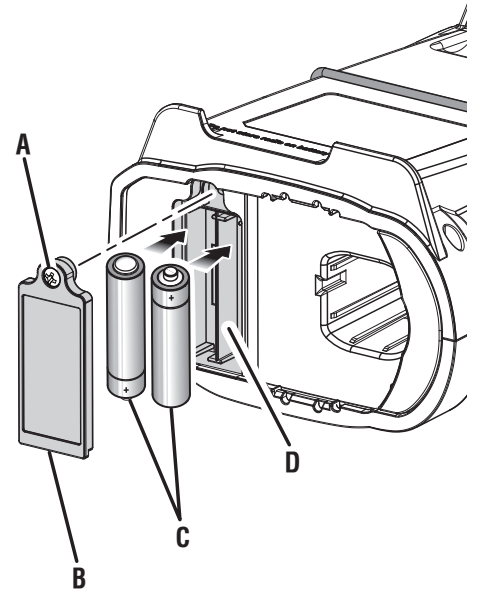
Evite el empleo de solventes al limpiar piezas de plástico. La mayoría de los plásticos son susceptibles a diferentes tipos de solventes comerciales y pueden resultar dañados. Utilice paños limpios para eliminar la suciedad, el polvo, el aceite, la grasa, etc.

P742



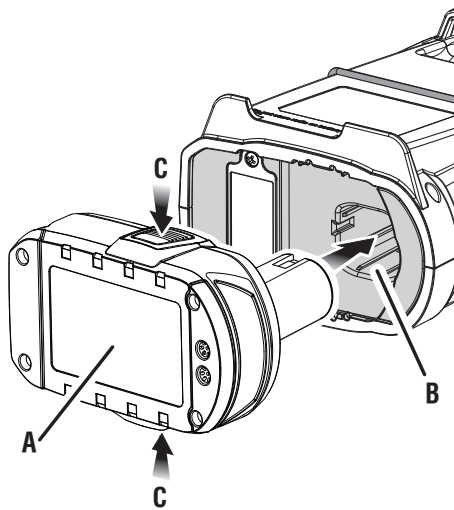
- A - Digital display (afficheur numérique, pantalla digital)
- B - Auxiliary jack (prise auxiliaire, enchufe de auxiliar)
- C - Retainer strap (courroie de retenue, correa de retención)
- D - Touch pad controls (commandes du panneau de touche, panel táctil)
- E - Antenna (antenne, antena)
- F - USB charging port (port de charge USB, puerto USB de carga)

Fig. 1



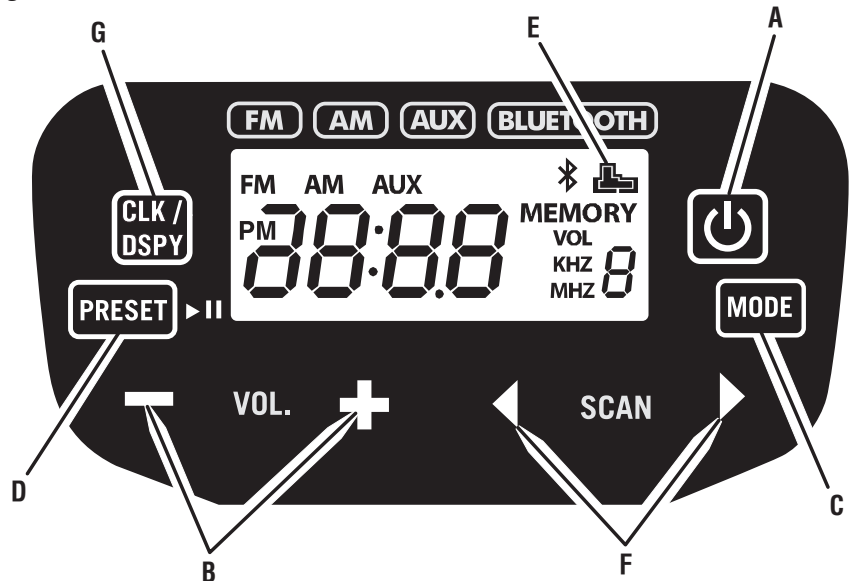
- A - Screw (vis, tornillo)
- B - Battery cover (couvercle des piles, tapa del compartimento de las baterías)
- C - AAA batteries (piles AAA, baterías AAA)
- D - Battery compartment (compartiment de piles, compartimento de la batería)

Fig. 2



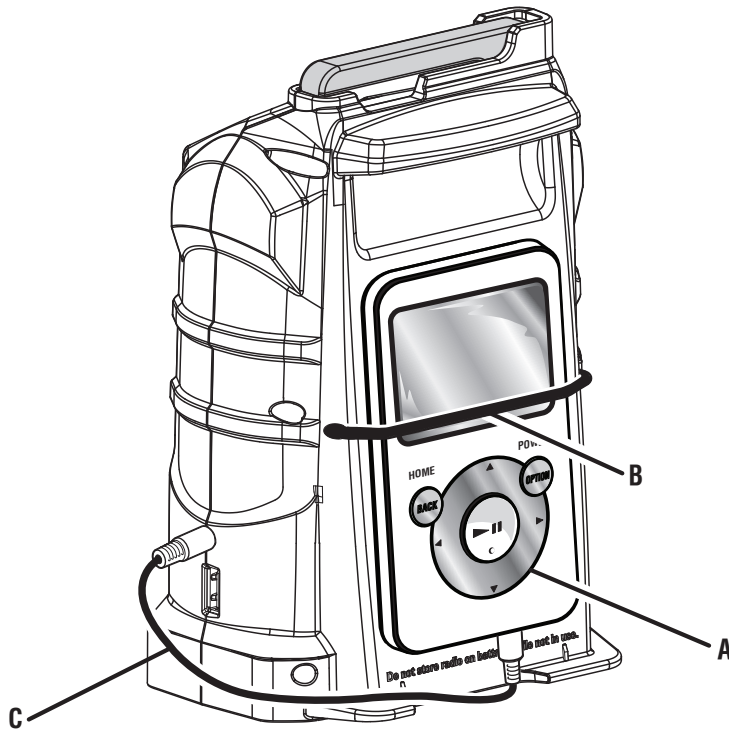
- A - Battery pack (bloc-piles, paquete de baterías)
- B - Battery port (logement de piles, receptáculo para baterías)
- C - Latches (loquets, pestillos)

Fig. 3



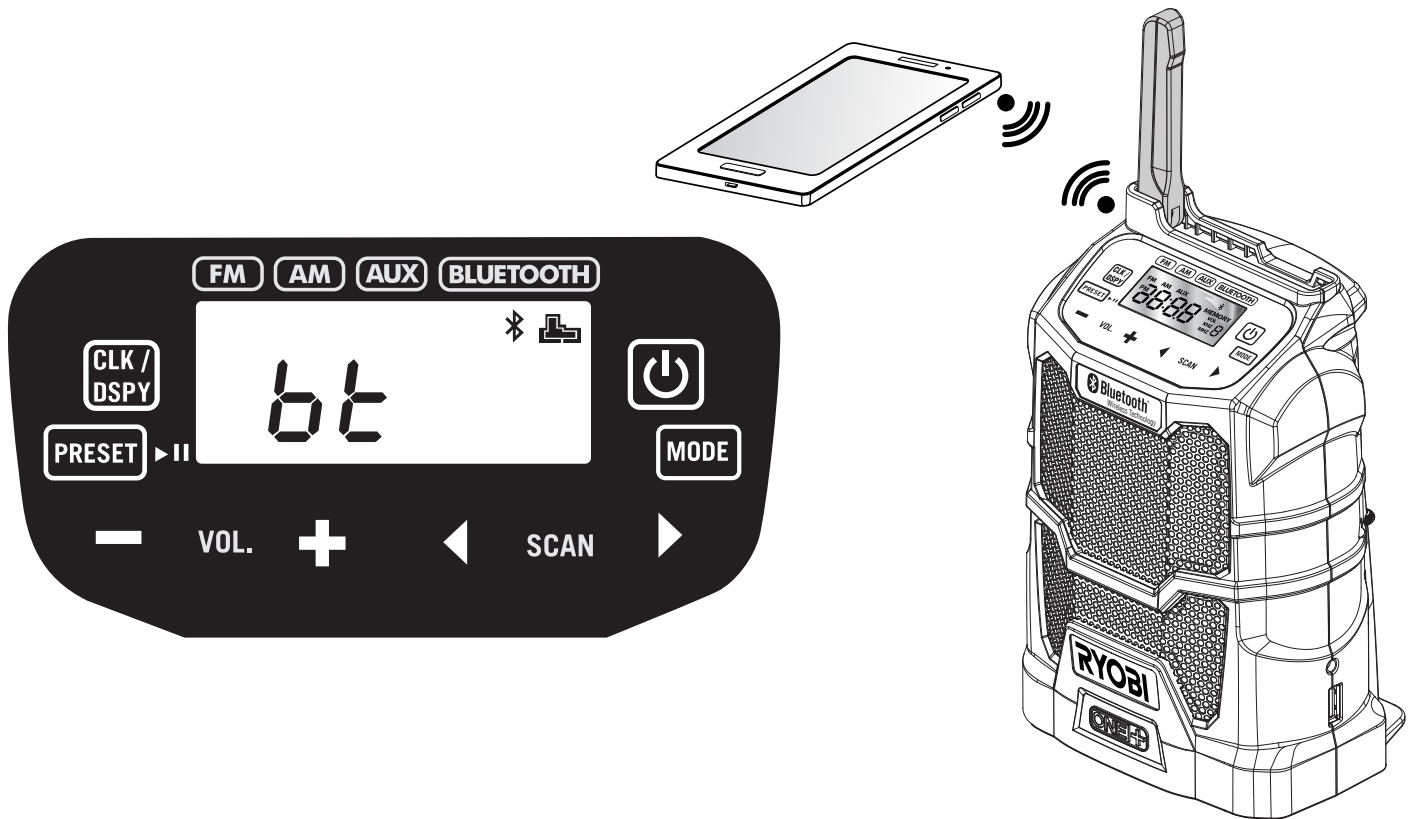
- A - On/Off button (bouton marche/arrêt, botón de encendido/apagado)
- B - Volume buttons (boutons de volume, botón de volumen)
- C - Mode (mode, modo)
- D - Preset (préréglé, prefijadas)
- E - Low battery indicator (indicateur de faible niveau des piles, indicador de batería baja)
- F - Scan button (bouton de balayage, botón de escanee)
- G - Clock/display button (bouton de l'horloge / affichage, botón de reloj o pantalla)

Fig. 4



- A - MP3 player (not included) [lecteur MP3 (non inclus), reproductor de MP3 (no incluida)]
- B - Retainer strap (courroie de retenue, correa de retención)
- C - Auxiliary cable (not included) [câble auxiliaire (non inclus), cable auxiliar (no incluida)]

Fig. 5





OPERATOR'S MANUAL/18 VOLT ONE+ RADIO
MANUEL D'UTILISATION / RADIO DE 18 V ONE+
MANUAL DEL OPERADOR/RADIO DE 18 V ONE+
P742

To request service, purchase replacement parts,
locate an Authorized Service Center and obtain Customer or Technical Support:

Visit **www.ryobitools.com** or call **1-800-525-2579**

If any parts or accessories are damaged or missing,
do not return this product to the store. Call **1-800-525-2579** for immediate service.

Please obtain your model and serial number from the product data plate.

This product is covered under a 3-year limited Warranty. Proof of purchase is required.

MODEL NUMBER _____ SERIAL NUMBER _____

RYOBI is a registered trademark of Ryobi Limited and is used pursuant to a license granted by Ryobi Limited.

Pour faire une demande de réparations ou obtenir des pièces de rechange, trouver un
Centre de réparations agréé pour obtenir un soutien technique ou le Service à la clientèle :

Visiter **www.ryobitools.com** ou en téléphonant au **1-800-525-2579**

Si des pièces ou accessoires sont manquantes ou endommagées, ne pas retourner
ce produit au magasin. Appeler immédiatement au **1-800-525-2579** pour obtenir de l'aide.

Inscrire les numéros de modèle et de série inscrits sur la plaque d'identification du produit.

Ce produit est couvert par une garantie limitée de trois (3) ans. Une preuve d'achat est exigée.

NUMÉRO DE MODÈLE _____ NUMÉRO DE SÉRIE _____

RYOBI est une marque déposée de Ryobi Limited et est utilisée en vertu d'une licence accordée par Ryobi Limited.

Para obtener servicio, comprar piezas de repuesto, localizar un centro de servicio autorizado
y obtener Servicio o Asistencia Técnica al Consumidor:

Visite **www.ryobitools.com** o llame al **1-800-525-2579**

Si hay alguna pieza ou accesorios dañada o faltante, no devuelva este producto a la tienda.
Llame al **1-800-525-2579** para servicio técnico inmediato.

Obtenga su modelo y número de serie de la placa de datos del producto.

Este producto está cubierto con una garantía limitada de 3 años. Se solicita prueba de la compra.

NÚMERO DE MODELO _____ NÚMERO DE SERIE _____

RYOBI es una marca registrada de Ryobi Limited y se utiliza conforme a una licencia otorgada por Ryobi Limited.

ONE WORLD TECHNOLOGIES, INC.

1428 Pearman Dairy Road, Anderson, SC 29625 • Phone 1-800-525-2579
États-Unis, Téléphone 1-800-525-2579 • USA, Teléfono 1-800-525-2579

www.ryobitools.com