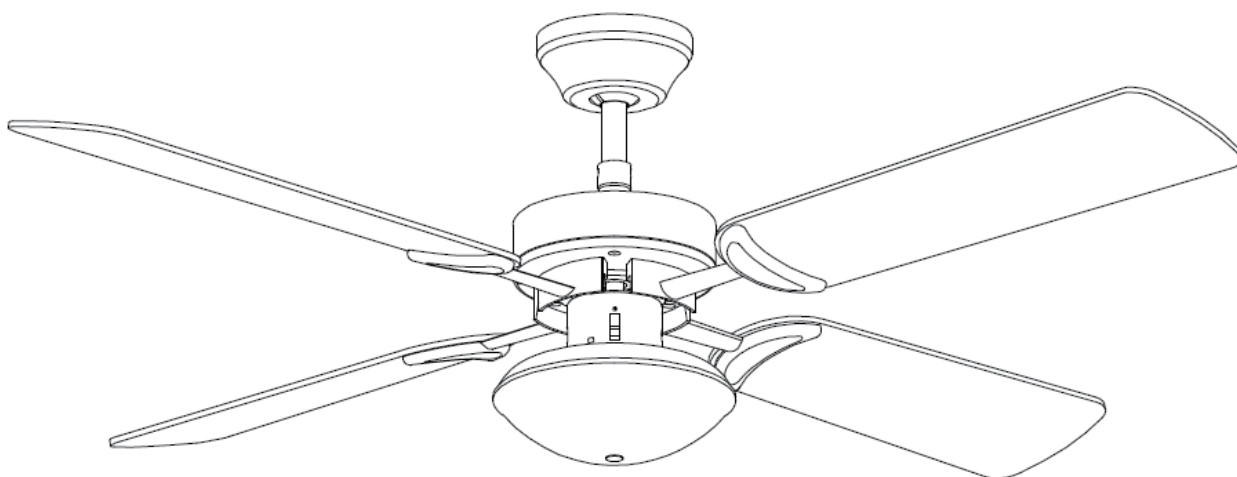


Ceiling Fan with Light Instruction Manual



**Read carefully before use
& keep for future reference.**

TABLE OF CONTENTS

Safety Information	1
Parts List	2
Preparation	3
Outlet Box Placement	4
Bracket Installation	4
Downrod Mounting	5
Circuit Connections	6
Receiver Installation	7
Blade Installation	7
Light Installation	8
Remote Control Operation	9
Direction Control	9
Maintenance	9
Troubleshooting	10
Contact Information	10

Before installing this product, read the package list on Page 2 and ensure all parts are present and display no defects. **DO NOT** attempt to install the product if any part is missing or damaged. **DO NOT** lay the motor housing on its side. Read the safety information on Page 1 before installation or use.

Estimated assembly time: 120 minutes.

Additional tools required for assembly:

- Phillips Screwdriver
- Flat Head Screwdriver
- Adjustable Pliers or Wrench
- Step Ladder
- Wire Stripper
- Electrical Tape
- Safety Glasses



Additional helpful tools:

AC tester light, tape measure, wiring handbook, and wire cutters.

SAFETY INFORMATION

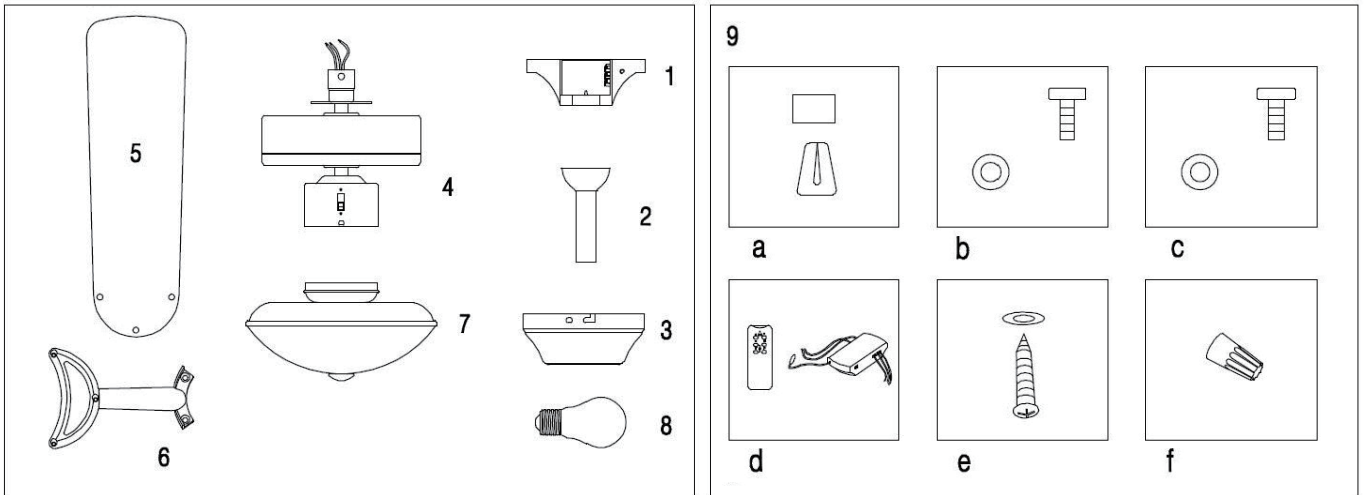
Warning

- To reduce the risk of electric shock, ensure electricity has been turned off at the circuit breaker or fuse box before beginning.
- All wiring must be in accordance with national and local electrical codes. Electrical installation should be performed by a qualified licensed electrician.
- To reduce the risk of personal injury, use **ONLY** the two steel screws (and lock washers) provided with the outlet box for mounting to the outlet box. Most outlet boxes commonly used for the support of lighting fixtures are not acceptable for fan support and may need to be replaced, consult a qualified electrician if in doubt.
- The outlet box and support structure must be securely mounted and capable of reliably supporting a minimum of 50 pounds. Use **ONLY** UL listed outlet boxes marked "FOR FAN SUPPORT".
- After marking electrical connections, spliced conductors should be turned upward and pushed carefully up into outlet box. The wires should be spread apart with the grounded conductor and the equipment-grounding conductor on one side of the outlet box.
- The fan must be mounted with a minimum of 7 feet clearance from the trailing edge of the blades to the floor.
- **DO NOT** use the reverse switch while the fan blades are in motion. To prevent damage and ensure long use, the fan must be turned off and the blades stopped before reversing direction.
- **DO NOT** place objects in the path of the blades.
- Exercise caution when working around or cleaning the fan.
- Use a soft dry cloth to clean the fan body and blades. **DO NOT** use water or detergent.
- The electrical diagrams provided herein are for reference only. Light kits that are not packaged with the fan must be UL listed and suitable for use with this fan. Switches must be UL general use switches. Refer to their separate instructions for proper assembly.

NEVER bend the blade brackets/flanges during assembly or after installation.

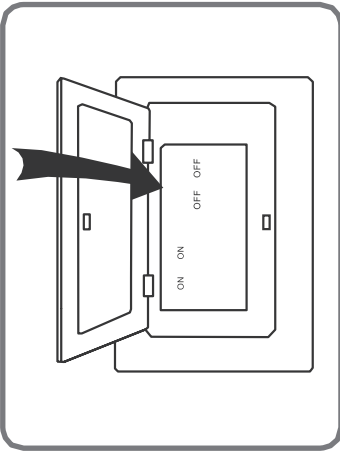
PARTS LIST

- Unpack your fan and check the contents. Do not discard the carton. If replacement or repair is ever necessary the fan should be returned in original packaging. Remove all parts and hardware. Do not lay motor housing on its side: the decorative casting may shift.
- Examine all parts. You should have the following:



1. Mounting Bracket
2. Downrod
3. Canopy
4. Fan Motor Assembly
5. Blade (4)
6. Blade Brackets (4)
7. Light Kit
8. Bulbs (2)
9. Parts Pack
 - a. Balancing Kit
 - b. Blade Bolts with Washers
 - c. Motor Housing and Canopy Bolts with Washers
 - d. Remote & Receiver Kit
 - e. Mounting Bracket Screws with Washers
 - f. Wire Caps

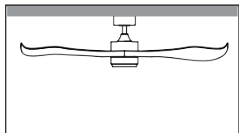
PREPARATION



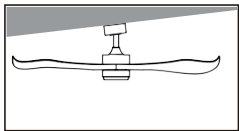
1. Turn power off

Begin installation by removing fuses or turning off circuit breakers to the wiring you will be using. Use your compatible UL listed mounting box if you already have one installed.

⚠ WARNING: Failure to disconnect the power supply prior to installation may result in serious injury or death.



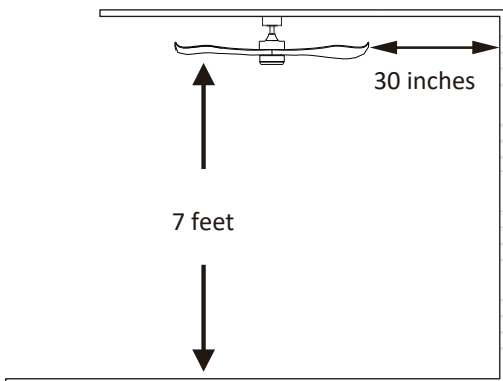
ONLY for flat ceilings



DO NOT use with sloped or vaulted ceilings

2. Choose mounting position

If you need to install a new UL listed mounting box, secure it directly to your building's structure using appropriate fasteners and materials. Do not use plastic boxes. The outlet box and its supports must be able to support the MOVING weight of the fan (at least 50 lb.) and be rated for fan support.

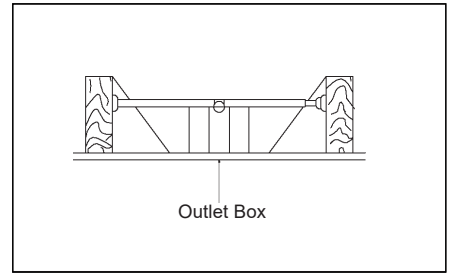
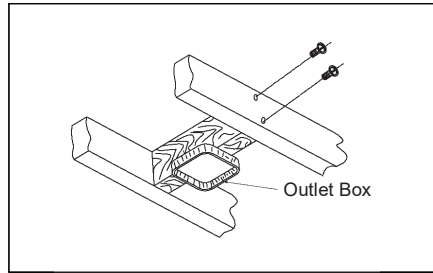
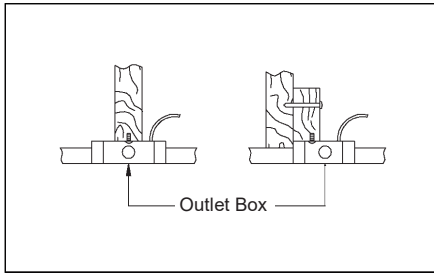


3. Choose suitable location

Ensure the blades will be at least 30 inches from any obstruction and at least 7 feet above the floor. In locations without a ceiling joist, a hanger support bar may be required. Do not install in damp locations.

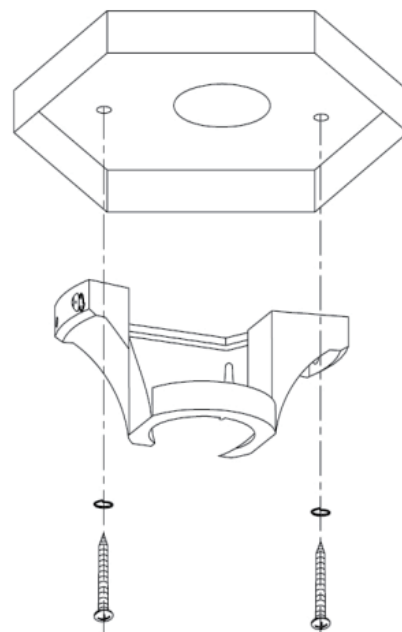
OUTLET BOX PLACEMENT

1. If there is an existing outlet box, ensure it is clearly marked "Suitable for Fan Support". If not, it must be replaced with an approved one.
2. Secure the outlet box (or make sure the existing box is secured) directly to the building structure. Use appropriate fasteners and building materials. The wood joist and outlet box must be able to support a minimum of 50 pounds.
3. To hang the fan in locations where no ceiling joists is available, a hanger support bar may be required.



BRACKET INSTALLATION

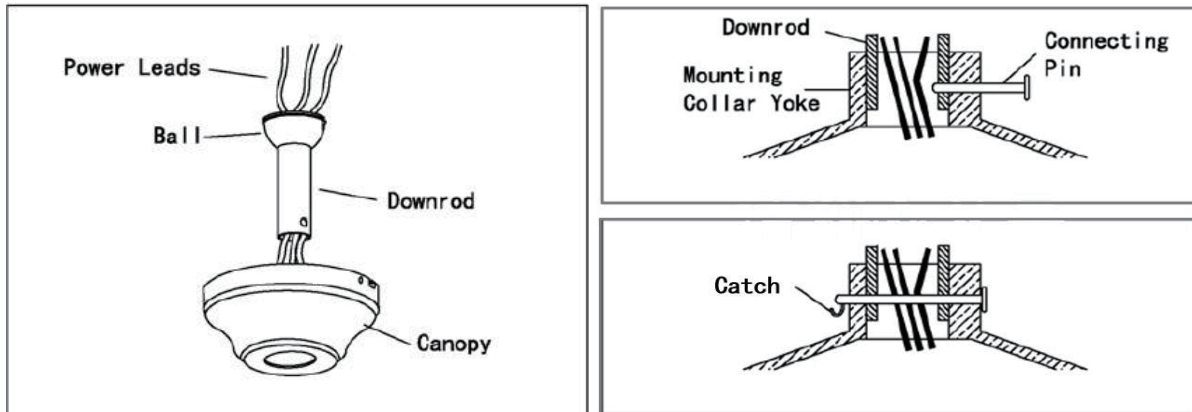
Attach the mounting bracket to the outlet box with the provided screws and washers.



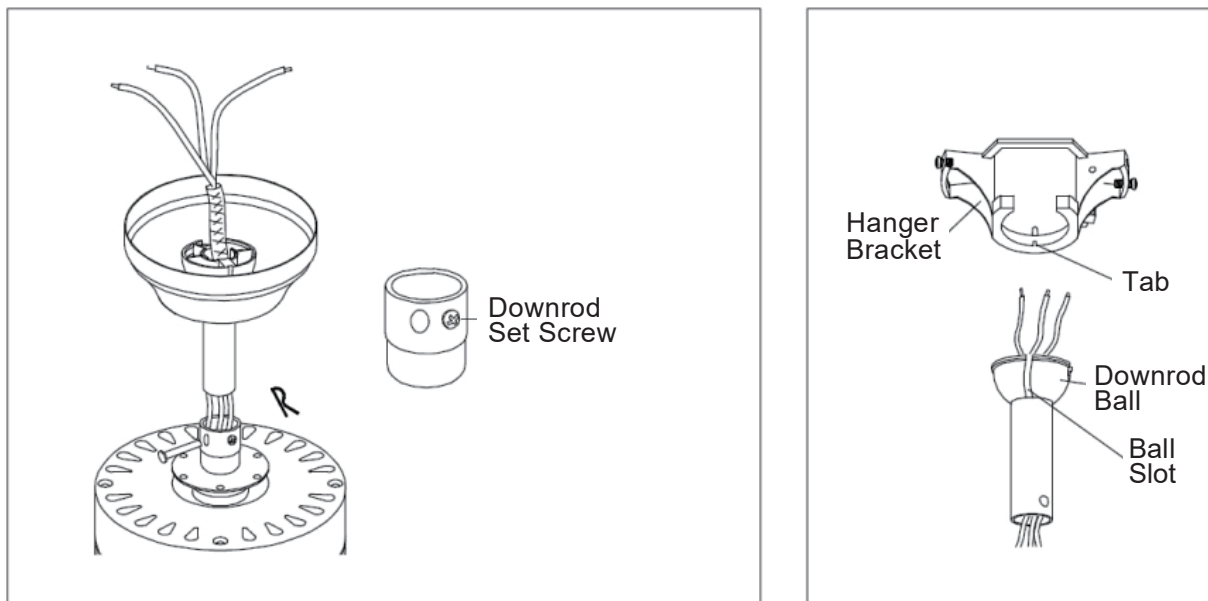
- Electrical Outlet Box
UL List "For Fan Support"
- Mounting Bracket
- Spring Washer
(Provided with Outlet Box)
- Screw
(Provided with Outlet Box)

DOWNROD MOUNTING

1. Slide the canopy onto the downrod. Thread the power leads from the fan through both without pulling tightly.
2. Set the downrod into the collar yoke. Route until the holes match and insert the connector pin without damaging any wiring.
3. Secure the pin by inserting its catch through on the opposite side. Check that it is secure.



4. Tighten the downrod set screw. If your model has a locknut, loosen it first & retighten it against the connector yoke. Tighten the motor set screw similarly.
5. Insert the downrod ball into the mounting bracket. Rotate until the tab fits into the ball slot.

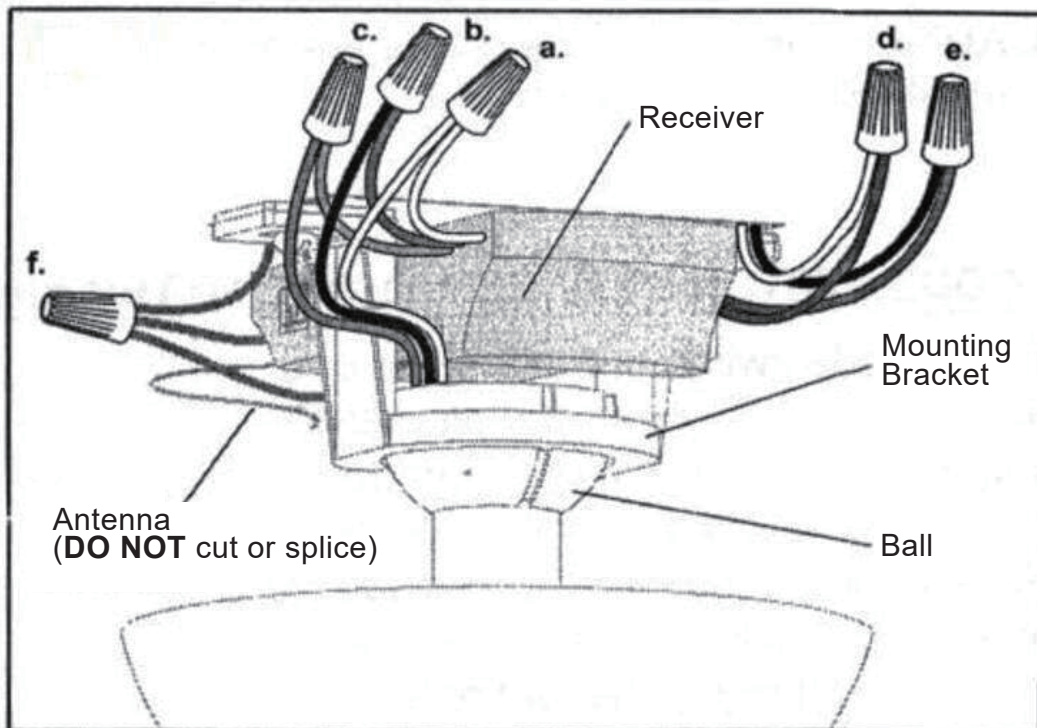


⚠ WARNING: Failure to reattach the hitch pin and/or properly seat the downrod can cause the fan to fall from the ceiling during operation. **DO NOT** use the fan before ensuring it is properly secured and the motor can no longer rotate.

DOWNROD MOUNTING

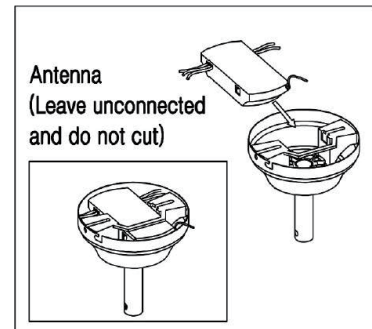
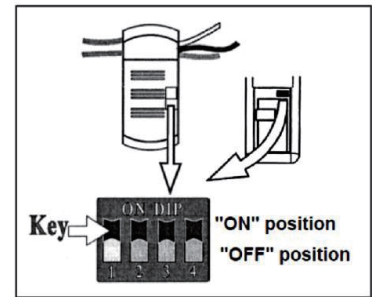
⚠ WARNING: Again, ensure that the power has been cut before working with the wiring. Use the wire nuts provided with your fan. Ensure there are no loose wires or connections, and secure connectors with electrical tape.

1. Connect the 3 colored wires from the remote receiver to the 3 identically colored lead wires from the fan motor. Use the wires marked "To Motor" (a & b) and "For Light" (c). Secure each set with the provided wire nuts.
2. Connect the 2 colored wires from the remote receiver to the 2 identically colored lead wires from the outlet box. Use the wires marked "AC" (d & e). Secure each set with the provided wire nuts. If your home uses wiring greater than 12 gauge, it will not fit the provided wire nuts. Consult an electrician for the proper wire nut size to use.
3. Connect the green or bare copper ground wire from the outlet box to the ground wires from the ceiling mounting bracket and the ceiling fan. Separate the white and green connections from the black wire connections, which should be kept on opposite sides of the outlet box.



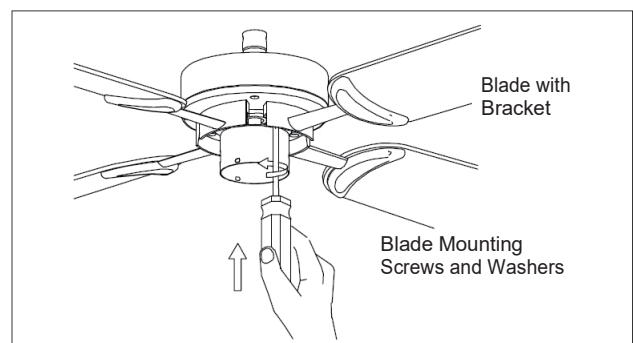
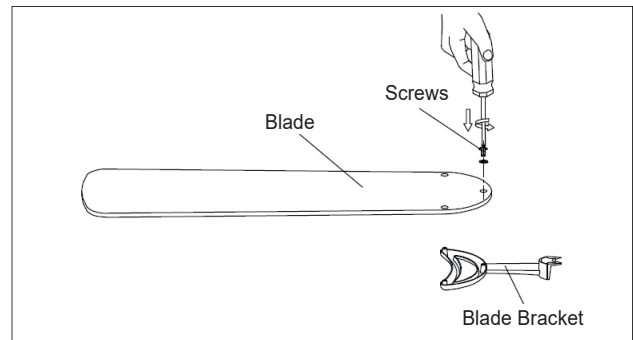
RECEIVER INSTALLATION

1. Set all 4 keys on the remote and receiver to **ON** unless using multiple interfering signals. In that case, set the switches to match before installation. Up to 16 settings are possible.
2. Insert the receiver into the tray with the receiver facing the ceiling. For best performance, make sure the white antenna, on the end of the receiver, remains extended and not tangled with any of the electrical wires.
3. Slide the canopy up and fasten it to the mounting bracket with the 4 provided screws.

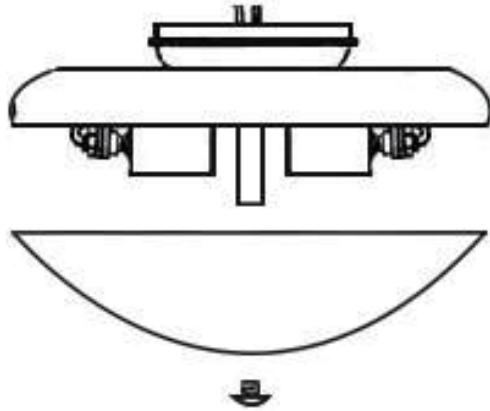


BLADE INSTALLATION

1. Install one blade onto a blade bracket using the provided blade screws & washers.
2. Ensure the blade is straight, then tighten starting with the center screws.
3. Install the blade and its bracket onto the motor with the provided screws.
4. Repeat with the remaining blades.



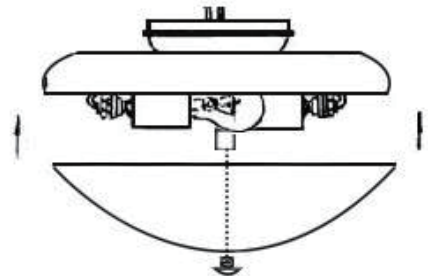
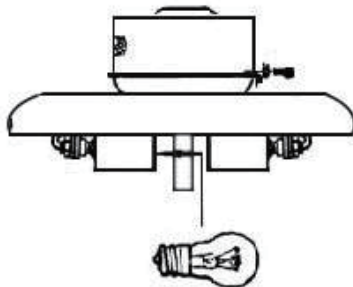
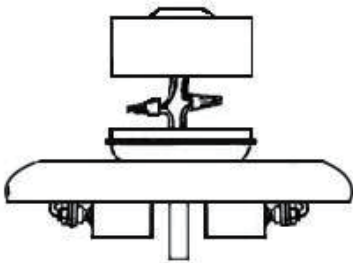
LIGHT INSTALLATION



Light Bracket

Glass Shade

1. Locate the two light kit wires from the fan assembly. Attach the light wires from the light bracket to the light wires of the housing (White to White, Black to Blue) using the wire nuts provided.
2. Align the three holes on the light bracket with the three holes on the housing rim. Secure the light bracket onto the housing with the three screws and washers provided.
3. Install your light bulb into the sockets.
4. Attach the bowl shade on the base. Twist the screw clockwise until snug.



REMOTE CONTROL OPERATION

Install the remote control holder onto any wall or suitable flat surface using the two steel screws.

LOW: Starts the fan at low speed

MED: Starts the fan at medium speed

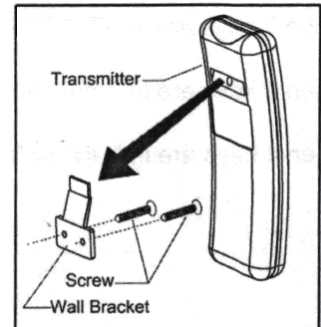
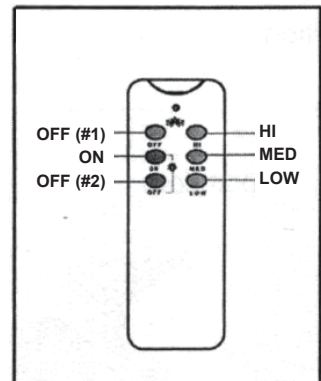
HI: Starts the fan at high speed

OFF (#1): Stops the fan

ON: Turns on the light

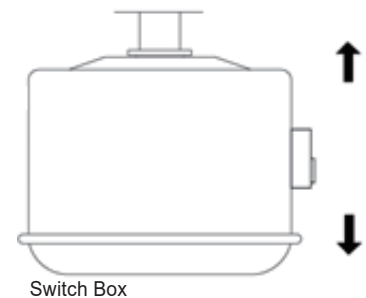
OFF (#2): Turns off the light

This remote operates with a range of 30 feet (10 m). It uses 2 AA batteries (not included). If the remote will not be used for a prolonged period, it is recommended to remove the batteries for better service life.



DIRECTION CONTROL

The direction of the fan's blades can be changed by toggling the switch on the motor housing. In the summer, slide it down to produce a cooling downdraft. In the winter, slide it upwards to use the updraft to circulate warm air around the room.



MAINTENANCE

- The fan natural movements may cause some connections to loosen. A clicking or rattling noise is a certain sign of loosening screws. Check the support connections, brackets, and blade attachment twice a year, and tighten all screws as necessary. Make sure all screws attaching the glass screws are tightened.
- Clean your fan periodically. Only clean with a damp soft cloth wetted with a mild detergent solution.
- The permanently sealed bearing prevents the need for oiling.
- Make sure the power is turned off at the main fuse or circuit panel before you attempt any repairs.

TROUBLESHOOTING

Problem	Common Solutions
Fan blades don't rotate	<ul style="list-style-type: none">• Check fuses and/or circuit breakers and reset if needed.• Cut off power to the fan and check its internal electrical connections.• Replace one of the remote control batteries.• Check that the fan cover is correctly placed and no screws interfere with the movement of the blades.• Contact customer service to replace a faulty remote control.
Fan is too noisy	<ul style="list-style-type: none">• Check that all screws and fasteners are well tightened.• Ensure the canopy housing has a short distance between itself and the ceiling.• Upon initial installation, allow 24 hours of use for the machine to break itself in.• Cut off power to the fan and check that the wire nut connections are not rubbing against one another or the inner housing.• If you have installed a solid-state variable-speed control, cut off power to the fan and disconnect this control from the device. See if using the remote resolves the problem, which can be caused by erratic signals from such controls.
Fan wobbles during use	<ul style="list-style-type: none">• Check that all screws and fasteners are well tightened.• Use the provided blade balancing kit to adjust the blades if their tips are found to be an unequal distance from the ceiling while well fastened.• Exchange the position of the various blades. <p>Again, do not bend the blades during any of these procedures.</p>

CONTACT US

Thank you for your purchase! If you have any questions or concerns, contact us at help@cs-supportpro.com. We'll resolve your problem ASAP. Customers are always the best teachers to keep us growing!