



OWNER'S MANUAL

ELECTRIC BLOWER 8.5 Amp

Model BLR20085S

Copyright. All Rights Reserved.



This product has been engineered and manufactured to our high standard for dependability, ease of operation, and operator safety. Properly cared for, it will give you years of rugged, trouble-free performance.



WARNING: To reduce the risk of injury, the user must read and understand the owner's manual before using this product.

Thank you for your purchase.

DO NOT RETURN THIS PRODUCT TO THE STORE. OPERATING, ASSEMBLY, PARTS, SERVICE QUESTIONS? GO TO SCOTTS.AMERICANLAWNMOWER.COM, OR CALL 1-800-618-7474 BETWEEN 8:00AM-5:00PM EST FOR ASSISTANCE.

SAVE THIS MANUAL FOR FUTURE REFERENCE



IMPORTANT SAFETY WARNINGS



TO REDUCE RISK OF INJURY:
Before any use, be sure everyone using this tool reads and understands all safety instructions and other information contained in this manual.

CAUTION: Wear appropriate personal hearing protection during use. Under some conditions and duration of use, noise from this product may contribute to hearing loss.

Save these instructions and review frequently prior to use and when instructing others.

WARNING: When using electric gardening appliances, basic safety precautions should always be followed to reduce risk of fire, electric shock, and personal injury.

READ ALL INSTRUCTIONS

GENERAL SAFETY

KEEP CHILDREN AWAY - All visitors, children and pets should stay at a safe distance from the work area.

DRESS PROPERLY – Don't wear loose clothing or jewelry. They can be caught in moving parts. Wear protective hair covering to contain long hair. Use of rubber gloves and substantial footwear is recommended when working outdoors.

USE SAFETY GLASSES –Wear safety glasses with side shields or goggles that are marked to comply with ANSI Z87.1 standard when operating this product. Use face or dust mask if operation is dusty.

GROUND FAULT CIRCUIT INTERRUPTER (GFCI) protection should be provided on the circuit (s) or outlet (s) to be used for the blower. Receptacles are available having built-in GFCI protection and may be used.

USE RIGHT APPLIANCE – Do not use appliance for any job except that for which it is intended.

DOUBLE INSULATION – Double Insulation is a concept in safety in electric power tools, which eliminates the need for the usual three-wire grounded power cord. All exposed metal parts are isolated from the internal metal motor components with protecting insulation. Double insulated tools do not need to be grounded.

NOTE: The double insulated system is intended to protect the user from shock resulting from a break in the tool's internal insulation. Observe all normal safety precautions to avoid electrical shock.

POLARIZED PLUGS-To reduce the risk of electric shock, this product has a polarized plug. Polarized connections will fit together only one way. Make sure that the receptacle end of the extension cord has large and small blade slot widths. If the plug does not fit fully into the extension cord, reverse the plug. If it still does not fit, obtain a suitable extension cord. If the extension cord does not fit fully into the outlet, contact a qualified electrician to install the proper outlet. Do not change the plug on the tool or the extension cord in any way.

EXTENSION CORD. Make sure your extension cord is in good condition. When using an extension cord be sure it is heavy enough to carry the current your product will draw. An undersized extension cord will cause a drop in line voltage resulting in loss of power and overheating. The following table shows the correct size to use depending on cord length and nameplate ampere rating. If in doubt, use the next heavier gage. The smaller the gage number, the heavier the cord.

Volts		Minimum Gage for Cord Sets			
120V		Total Length of cord in Feet			
		0-25	26-50	51-100	101-150
Ampere Rating		American wire Gage			
More Than	Not More Than				
0	- 6	18	16	16	14
6	- 10	18	16	14	12
10	- 12	16	16	14	12
12	- 16	14	12	Not Recommended	

To reduce the risk of disconnection from the extension cord during use you can make a knot as shown. It is also possible to tie more than one extension cord in a knot as shown to prevent them from becoming disconnected during use.



WARNING: Use outdoor extension cords marked SW-A, SOW-A, STW-A, STOW-A, SJW-A, SJTW-A, or SJTOWA. These cords are rated for outdoor use and reduce the risk of electric shock.

Before each use check the electrical cord for wear or damage. Do not use the blower if the cord is damaged or worn.

Never allow children to use the blower.

Never allow people unfamiliar with these instructions to use the blower.

DISCONNECT BLOWER from the power supply when not in use or when servicing or cleaning. Do not leave unattended.

AVOID DANGEROUS ENVIRONMENTS – Don't use this tool in the rain, or in damp or wet locations. Do not operate the tool in gaseous or explosive atmospheres. Motors in these tools normally spark and might ignite fumes.

AVOID UNINTENTIONAL STARTING – Don't carry Blower with finger on switch. Be sure switch is off when plugging in.

DON'T ABUSE CORD – Never carry the blower by the cord or yank the cord to disconnect from the receptacle. Keep the cord away from heat, oil, and sharp edges.

DON'T FORCE BLOWER – It will do the job better and with less likelihood of a risk of injury at the rate for which it was designed.

STAY ALERT – Watch what you are doing. Use common sense. Do not operate blower when you are tired or under the influence of drugs, alcohol or medications.

If the cord becomes damaged during use, disconnect the cord from the supply immediately. **DO NOT TOUCH THE CORD BEFORE DISCONNECTING THE SUPPLY.**

STORE IDLE BLOWER INDOORS – When not in use, Blower should be stored indoors in a dry place, out of reach of children.

MAINTAIN BLOWER WITH CARE – Keep blower tube clear and clean for best performance and to reduce the risk of injury. Inspect extension cord periodically and replace if damaged. Keep handles dry, clean and free from oil and grease.

Always direct the cord to the rear and away from the blower.

The operator or user is responsible for accidents or hazards occurring to other people or their property.

Never blow debris in the direction of bystanders.

WARNING: California Proposition 65:
This product contains chemicals known to the State of California to cause cancer, birth defects or other reproductive harm.

WARNING: Cancer and Reproductive Harm -
www.P65Warnings.ca.gov.

SYMBOLS

Some of the following symbols may be used on this product. Please study them and learn their meaning. Proper interpretation of these symbols will allow you to operate the product better and safer.



WARNING! Precautions that involve your safety.



CAUTION! Read the instruction manual and follow the warning and safety instructions!



CAUTION! Remove plug from outlet immediately if the cable is damaged.



SWITCH OFF! and remove plug from outlet prior to maintenance, cleaning or repair work!



CAUTION! Always wear eye and ear protection.



DANGER! Keep bystanders at a safe distance.



DANGER! Do not touch the inlet or outlet when the guard is opened or has been removed.



DANGER! Risk of electric shock.



Do not use in rain or electrical storms.



Waste electrical products should not be disposed of with household waste. Please recycle where facilities exist. Check with your Local Authority or retailer for recycling advice.

ASSEMBLY/OPERATION

UNPACKING

This product requires assembly.

Carefully remove the product and any accessories from the box. Make sure that all items listed in the packing list are included.


Inspect the product carefully to make sure no breakage or damage occurred during shipping. Do not discard the packing material until you have carefully inspected and satisfactorily operated the product.

PACKING LIST

- Blower
- Blower Tube
- Owner's Manual

ASSEMBLY

1. Connect the larger end of the blower tube to the blower housing.
2. Make sure the blower tube release clip snaps into the hole in the blower tube.
3. To remove, press in on the clip then remove in the reverse direction.

 **WARNING:** Make sure the blower tube is fixed in position before operating the blower.

ON/OFF SWITCH/SPEED CONTROL

For extra control, model BLR20085S is fitted with a two speed switch located on the handle of the power head.


The switch has three positions: "O", "1" and "2". Position "O" is off. To use in low speed, move the switch to the center position "1". To change to high speed, move the switch to position "2".

To turn the tool ON, slide the switch to position "1" or position "2", depending on the desired speed.

To turn the tool "OFF", slide the switch to the "O" position.


Hold the blower tube approximately 7 inches above the ground, switch your product on and using a sweeping motion from side to side, advance slowly. Keep the accumulated debris/leaves in front of you.



 **CAUTION:** The blower can throw debris, possibly causing serious personal injury to the operator or bystanders.

Use your product only in daylight or good artificial light.

The blower is intended for residential use only. Use the blower outdoors to move debris as needed.

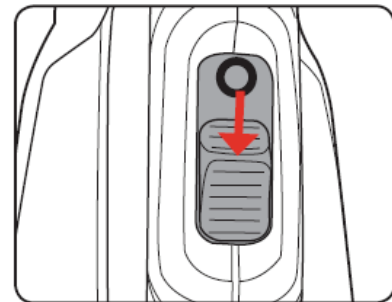
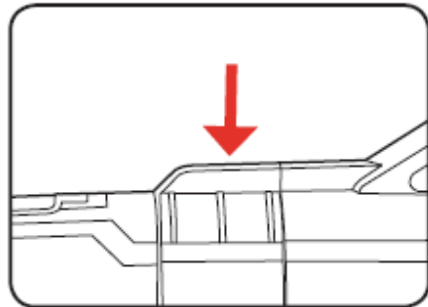
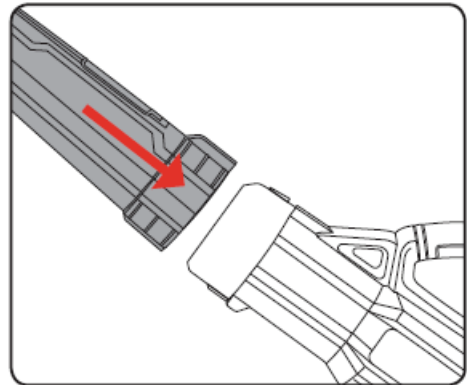
 **WARNING:** Always wear safety glasses to prevent debris from being blown into eyes and face, which can cause serious injury.

Do not blow hard objects such as nails, bolts, or rocks.

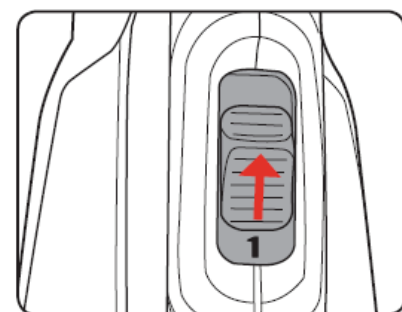
Do not operate the blower near bystanders or pets.

Use extra care when cleaning debris from stairs or the tight areas.

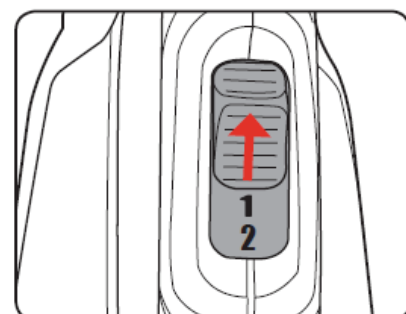
When not in use, store the blower and extension cord indoors, in a cool dry place.



"O" = OFF




"1" = LOW





"2" = HIGH


MAINTENANCE

If you drop the unit, carefully inspect it for damage. If the housing is cracked or handles broken or if you see any other condition that may affect the unit's operation, contact your local Authorized Service Center for repairs before putting it back into use.

 **CAUTION:** Do not at any time let brake fluids, gasoline, petroleum based products, penetrating oils, etc., come in contact with plastic parts. They contain chemicals that can damage, weaken or destroy plastic.

 **IMPORTANT:** To assure product SAFETY and RELIABILITY, repairs, maintenance and adjustment should be performed by a qualified service organization, always using identical replacement parts.

 **CAUTION:** DO NOT POUR OR SPRAY WATER ON THE BLOWER TO CLEAN. Never let any liquid get inside the blower. Never immerse any part of the blower into a liquid.

 **WARNING:** For your safety, turn switch "OFF" and remove extension cord plug from power source before maintaining your blower. Failure to comply with this warning can result in personal injury.

Fertilizers and other garden chemicals contain agents which greatly accelerate the corrosion of metals. Do not store the tool on or adjacent to fertilizers or chemicals.

Make sure the blower is unplugged, then use only mild soap and a damp cloth to clean the tool. Never let any liquid get inside the tool; never immerse any part of the tool into a liquid.

TROUBLESHOOTING

Problem	Possible Cause	Possible Solution
- Unit does not run	- Extension cord not connected to the plug - Cord not connected to power source - Switch not in "ON" position	- Check extension cord is fully connected to blower - Check extension cord is fully connected to a receptacle - Check that switch is in the "ON" position

CALL US FIRST !!

Call us first with questions about operating or maintaining your blower at 1-800-618-7474 between 8:00 a.m. – 5:00 p.m. Eastern Standard Time, or get assistance on scotts.americanlawnmower.com.

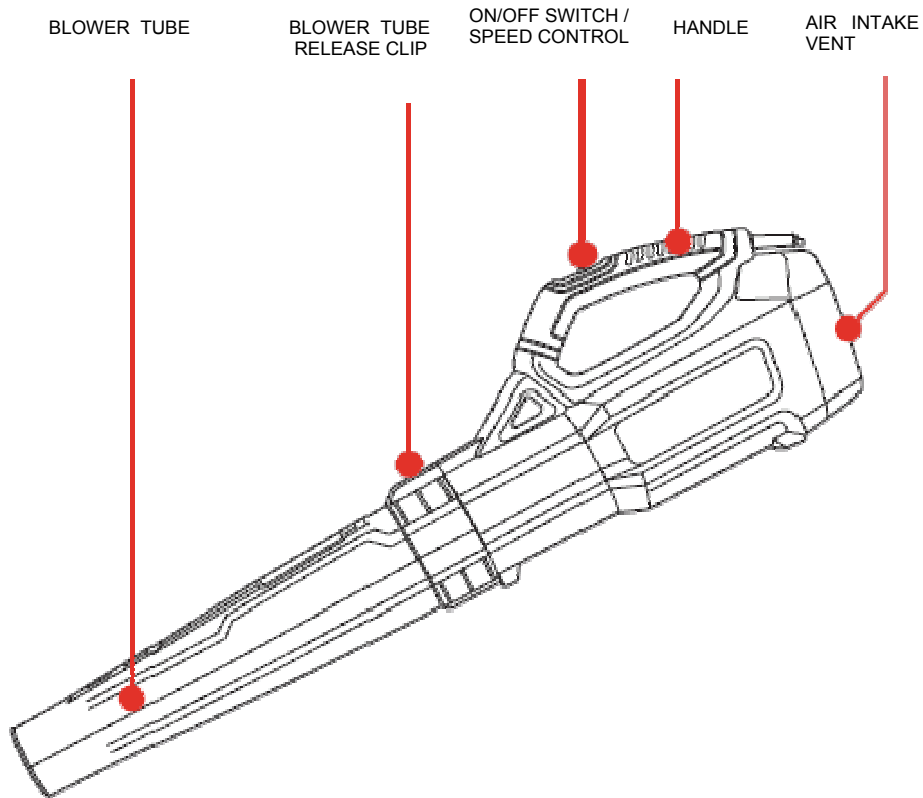
FEATURES

PRODUCT SPECIFICATIONS

Model #BLR20085S

Input	120 V, 60 Hz, 8.5 Amp
No Load Speed	13000/15500 RPM
Air Speed	95 MPH / 120 MPH
Tube Length	20 in. (500mm)
Weight5.7 lb. (2.6 kgs)

- Assembly required - Two Speed -



PARTS AND SERVICE

For parts or service, please call 1-800-618-7474 or visit us online at scotts.americanlawnmower.com. Be sure to provide all relevant information when you call or visit.

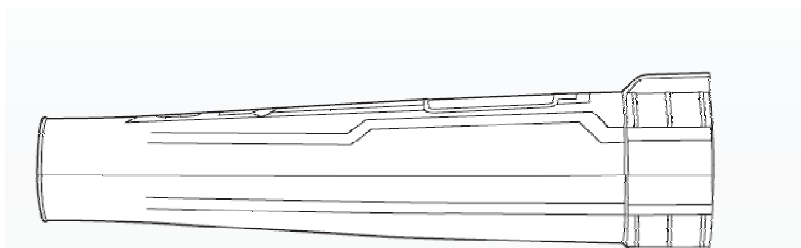
REPAIR PARTS (KITS/ ITEMS)

The model/ serial number of this tool is found on a plate or label attached to the housing. Please record the serial number in the space provided below.

MODEL NUMBER BLR20085S

SERIAL NUMBER _____

Always mention the model number when ordering kits/items for this tool.



No.	Kit/Item Number	Description	QTY
1	BL85-BTK-1	Blower Tube Kit	1

CALL US FIRST !!

Call us first with questions about operating or maintaining your blower at 1-800-618-7474 between 8:00 a.m. – 5:00 p.m. Eastern Standard Time, or get assistance on scotts.americanlawnmower.com.



OWNER'S MANUAL BLR20085S ELECTRIC BLOWER 8.5 Amp

Copyright. All Rights Reserved.

WARRANTY POLICY

Scotts Warranty policy

- **3 Year limited warranty** on all Scotts corded power tools from date of purchase when used for personal, household, or family use.

The Great States Corp. (GSC) warrants to the original owner that this Scotts product and service part is free from defects in materials and workmanship and agrees to repair or replace any defective product or part for the warranty period as stated above.

- Warranty voided if used for commercial or industrial purposes or any other improper use as determined by GSC.
- Warranty does not include repairs necessary due to operator's abuse or negligence (including overloading the product beyond capacity or immersion in water), or the failure to assemble, operate, maintain or store the product according to the instructions in the owner's manual.
- This warranty does not cover
 - ◇ Wear items, including but not limited to - drive belts & gears, tines, cutting blades, mower blades, saw chains, mulching blades, blower fans, spool covers, trimmer line, blower and vacuum tubes, guide bars, high pressure hoses, wheels, handles, augers, worn bags, power cables, and other items subject to wear over time.
 - ◇ Wear on batteries, including but not limited to – drops, wear and breakage on charger, exposure to extreme temperature swings (hot or cold), battery left on charger too long, battery left uncharged for too long, and misuse or abuse of the battery.
- This warranty does not cover damage caused by cold, heat, rain, excessive humidity or other environmental extremes.
- This warranty does not cover normal deterioration of the exterior finish or normal wear and tear on the products including, but not limited to scratches, cracks, dents, or damage caused by outside chemicals.
- This warranty is not transferable and only applies to new products sold directly from an authorized retailer. This warranty does not apply to any product, new or used, purchased through unauthorized third-party channels. For information on authorized dealers, contact our customer support hotline at 1-800-618-7474 (Mon-Fri 8am-5pm Est)
- Any incidental, indirect or consequential loss, damage, or expense that may result from any defect or malfunction of the products is not covered by the warranty.
- The warranty does not include installation, assembly or normal adjustments explained in the operator's manual. The expense of delivering the product to the vendor and the expense of returning the product or replacement parts to the owner is not covered by the warranty.

Additional Warranty Limitations

Some states do not allow the exclusion or limitation on how long an implied warranty lasts, so the above limitation may not apply to you.

Products sold damaged or incomplete, sold —as is, or sold as reconditioned are not covered under the warranty.

Damage or liability caused by shipping, improper handling, improper assembly, incorrect voltage, improper wiring, improper maintenance, improper modification or the use of accessories and/or attachments not specifically recommended is not covered by this warranty.

Proof of purchase, original dated sales receipt, must accompany all warranty claims.

For claims go to scotts.americanlawnmower.com or call our customer support hotline from 8am-5pm EST, Mon-Fri at 1-800-618-7474



American Lawn Mower Company
The Great States Corporation
7444 Shadeland Station Way
Indianapolis, IN 46256 USA
Phone 1-800-618-7474
scotts.americanlawnmower.com



MANUAL DEL OPERARIO
SOPLADORA ELÉCTRICA 8.5 Amp
Modelo BLR20085S

Copyright. Todos los derechos reservados.



Este producto fue diseñado y fabricado de acuerdo con nuestros altos estándares de confiabilidad, facilidad de operación y seguridad para el operario. Si se trata con cuidado, le otorgará años de óptimo rendimiento y resistencia.



ADVERTENCIA: Para reducir el riesgo de sufrir alguna lesión, el usuario debe leer y comprender el manual del operario antes de usar este producto.

Muchas gracias por su compra.

NO DEVUELVA ESTE PRODUCTO A LA TIENDA. ¿TIENE PREGUNTAS SOBRE EL FUNCIONAMIENTO, EL MONTAJE, LAS PIEZAS Y EL MANTENIMIENTO? VAYA A SCOTTS.AMERICANLAWNMOWER.COM, O LLAME AL 1-800-618-7474 ENTRE LAS 8:00 Y LAS 17:00 HORA DEL ESTE DE LOS ESTADOS UNIDOS.

GUARDE ESTE MANUAL PARA CONSULTAS FUTURAS



ADVERTENCIAS DE SEGURIDAD IMPORTANTES



- PARA REDUCIR EL RIESGO DE LESIONES:** Antes de poner en uso la herramienta, asegúrese de que todos los usuarios lean y comprendan las instrucciones de seguridad y la demás información incluida en este manual.
- PRECAUCIÓN:** Use protección auditiva apropiada mientras trabaja. En ciertas condiciones y con cierta duración de uso, el ruido generado por este producto puede contribuir a la pérdida de la audición.

Guarde estas instrucciones y revíselas con frecuencia antes de usar la herramienta y capacitar a otros.

- ADVERTENCIA:** Al utilizar aparatos eléctricos para el jardín, se recomienda respetar las precauciones de seguridad básicas a fin de reducir riesgos de incendios, descargas eléctricas y lesiones personales.

LEA TODAS LAS INSTRUCCIONES

NORMAS GENERALES DE SEGURIDAD

MANTENGA ALEJADOS A LOS NIÑOS. Todos los visitantes, niños y mascotas deben mantenerse a una distancia segura de la zona de trabajo.

USE ROPA ADECUADA. No use prendas sueltas ni artículos de joyería, ya que puede quedar atrapado en las piezas móviles. Use protección para cubrir y contener el cabello largo. Se recomienda usar guantes de goma y calzado resistente cuando se trabaja al aire libre.

USE GAFAS DE SEGURIDAD. Al trabajar con este producto, use gafas de seguridad con protectores laterales que cumplan con la norma ANSI Z87.1. Si la operación genera polvo, protéjase el rostro con una mascarilla antipolvo.

INTERRUPTOR DE CIRCUITO POR FALLA A TIERRA (ICFT). Los circuitos o tomacorrientes que se usen para la sopladora deben contar con esta protección. Se pueden utilizar receptáculos que tengan protección de ICFT incorporada.

USE LA HERRAMIENTA EN FORMA CORRECTA. No utilice esta herramienta en trabajos para los que no esté indicada.

- DOBLE AISLAMIENTO.** El doble aislamiento es un concepto de seguridad en las herramientas eléctricas que elimina la necesidad del acostumbrado cable de alimentación puesto a tierra mediante el sistema de tres cables. Todas las piezas metálicas expuestas están separadas de los componentes metálicos internos del motor por un aislamiento protector. Las herramientas con doble aislamiento no necesitan la conexión a tierra.

NOTA: La finalidad del sistema de doble aislamiento es proteger al usuario de una descarga eléctrica provocada por una rotura del aislamiento interno de la herramienta. Respete todas las precauciones generales de seguridad para evitar una descarga eléctrica.

ENCHUFES POLARIZADOS. Para reducir el riesgo de descarga eléctrica, este producto tiene un enchufe polarizado. Las conexiones polarizadas encajan de una sola manera. Asegúrese de que el extremo del receptáculo del cable de extensión tenga ranuras de anchos diferentes para los contactos. Invierta el enchufe si no encaja exactamente en el cable de extensión. Si aún así no encaja, consiga un cable de extensión adecuado. Si el cable de extensión no se adapta bien al tomacorriente, llame a un electricista competente para que instale un tomacorriente adecuado. No modifique el enchufe de la herramienta ni el cable de extensión de ningún modo.

CABLE DE EXTENSIÓN. Asegúrese de que el cable de extensión esté en buenas condiciones. Además, compruebe que tenga el grosor suficiente para transportar la corriente que necesitará el producto. Un cable de extensión muy pequeño provocará una disminución en la tensión de la línea y, como resultado, una pérdida de potencia y recalentamiento. La siguiente tabla muestra el tamaño correcto que se debe usar según la longitud del cable y el amperaje de la etiqueta. Ante la duda, utilice el siguiente calibre más grueso. Cuanto más bajo es el número de calibre, más grueso es el cable.

Calibre mínimo para los cables					
Voltios	Longitud total de cable en metros (pies)				
	0-7,6 (0-25)	7,9-15,2 (26-50)	15,5-30,4 (51-100)	30,7-45,7 (101-150)	
Amperaje Más de	No más de	Calibre AWG			
		0	6	18	16
6	10	18	16	14	12
10	12	16	16	14	12
12	16	14	12	No se recomienda	

Para reducir el riesgo de desconexión del cable de extensión durante el uso, puede hacer un nudo como el que muestra la imagen. También es posible unir más de un cable de extensión con un nudo como se ve en la imagen para evitar que se desconecten durante el uso.



- ADVERTENCIA:** Use cables de extensión para exteriores rotulados con las siguientes inscripciones: SW-A, SOW-A, STW-A, STOW-A, SJW-A, SJTW-A, o SJTOWA. Estos cables están especificados para usarse al aire libre y reducir el riesgo de descarga eléctrica.

Antes de cada uso, inspeccione el cable eléctrico para detectar si está gastado o dañado. No utilice la sopladora si el cable está gastado o dañado.

Nunca permita a los niños usar esta herramienta.

Tampoco deje la sopladora en manos de personas que desconozcan estas instrucciones.

DESCONECTE LA SOPLADORA del suministro eléctrico cuando no esté en uso o durante el servicio de mantenimiento o la limpieza. Manténgala bajo vigilancia constante.

- EVITE AMBIENTES PELIGROSOS.** No utilice esta herramienta en la lluvia ni en lugares húmedos o mojados. Tampoco trabaje en entornos donde existan gases o sustancias explosivas. Por lo general, los motores de estas herramientas producen chispas que podrían inflamar los gases.

- EVITE EL ENCENDIDO ACCIDENTAL.** No transporte la sopladora con el dedo en el interruptor. Asegúrese de que el interruptor esté en la posición de apagado al enchufar la herramienta.

NO MALTRATE EL CABLE. Nunca tire del cable para trasladar la sopladora ni para desconectarla del receptáculo. Aleje el cable del calor, el aceite y los bordes filosos.

NO FUERCE LA SOPLADORA. Realizará mejor el trabajo y con menor probabilidad de lesiones si maneja la sopladora a la velocidad para la que fue diseñada.

PONGA ATENCIÓN. Observe lo que está haciendo. Use el sentido común. No opere la sopladora si está cansado o bajo la influencia de drogas, alcohol o medicamentos.

Si el cable se daña durante el uso, desconéctelo del suministro eléctrico de inmediato. **NO TOQUE EL CABLE ANTES DE DESCONECTARLO DEL SUMINISTRO ELÉCTRICO.**

GUARDE LA SOPLADORA BAJO TECHO. Cuando no esté en uso, la sopladora se deberá guardar en un lugar cerrado y seco, fuera del alcance de los niños.

TENGA CUIDADO AL HACER EL MANTENIMIENTO A LA HERRAMIENTA. El tubo de soplado debe estar limpio y libre de obstrucciones para lograr un óptimo funcionamiento y reducir el riesgo de lesiones. Revise el cable de extensión periódicamente y reemplácelo si está dañado. Mantenga los mangos secos, limpios y libres de grasa y aceite.

Siempre dirija el cable hacia atrás alejándolo de la sopladora.

El operario o usuario es responsable de los accidentes o riesgos que afecten a otras personas o a su propiedad.

Nunca sople los desechos en dirección a las personas que se encuentran en el lugar.

- ADVERTENCIA: Disposición 65 del estado de California:** Este producto contiene químicos reconocidos por el Estado de California como causantes de cáncer, defectos de nacimiento u otros efectos nocivos para el aparato reproductor.

- ADVERTENCIA: Cáncer y Daño Reproductivo -** www.P65Warnings.ca.gov

SÍMBOLOS

Algunos de los siguientes símbolos pueden aparecer en este producto. Tenga a bien estudiarlos y aprender su significado. La adecuada interpretación de estos símbolos le permitirá operar el producto mejor y de manera más segura.



ADVERTENCIA. Precauciones para su seguridad.



PRECAUCIÓN. Lea el manual de instrucciones y atienda las instrucciones de seguridad y advertencia.



PRECAUCIÓN. Retire el enchufe del tomacorriente de inmediato si el cable está dañado.



APAGAR. Retire el enchufe del tomacorriente antes de realizar alguna tarea de mantenimiento, limpieza o reparación.



PRECAUCIÓN. Use siempre protecciones para sus ojos y oídos.



PELIGRO. Mantenga a las personas que se encuentran en el lugar a una distancia segura.



PELIGRO. No toque la boca de entrada aire ni la boca de salida cuando el protector esté abierto o haya sido retirado.



PELIGRO. Riesgo de descarga eléctrica.



No usar bajo la lluvia o durante tormentas eléctricas.



Los productos eléctricos no se deben desechar junto con los residuos domésticos. Recicle donde haya centros para tal fin. Consulte a la autoridad local o al distribuidor minorista para obtener asesoramiento sobre reciclado.

MONTAJE/FUNCIONAMIENTO

DESEMBALAJE

Este producto requiere algunas operaciones de montaje. Extraiga el producto y los accesorios de la caja con cuidado. Asegúrese de que estén incluidos todos los elementos detallados en la lista de embalaje. Inspeccione el producto detenidamente para corroborar que no existan roturas ni averías ocurridas durante el envío. No deseche el material de embalaje hasta haber inspeccionado exhaustivamente el producto y comprobado que funciona en forma satisfactoria.

LISTA DE EMBALAJE

- Sopladora
- Tubos de soplado
- Manual del operario

MONTAJE

1. Conecte el extremo más grande del tubo del soplador a la caja del soplador.
2. Asegúrese de que el clip de liberación del tubo del ventilador encaje en el orificio del tubo del ventilador.
3. Para quitarlo, presione el clip y luego retírelo en la dirección inversa.

ADVERTENCIA: Asegúrese de que el tubo de la sopladora esté fijo en posición antes de operar la sopladora.

INTERRUPTOR DE ENCENDIDO Y APAGADO/CONTROL DE VELOCIDAD

Para un mayor control, el modelo BLR20085S está equipado con un interruptor de dos velocidades ubicado en el mango del cabezal de potencia.

El interruptor tiene tres posiciones: "0", "1" y "2". En la posición "0", la herramienta está apagada. Para usar la unidad a baja velocidad, mueva el interruptor a la posición central "1". Para cambiar a alta velocidad, mueva el interruptor a la posición "2".

Para encender la unidad, deslice el interruptor a la posición "1" o "2", según la velocidad deseada.

Para apagarla, deslice el interruptor a la posición "0".

Sostenga el tubo de soplado a una altura aproximada de 18 cm (7 pulg.) del suelo, encienda el producto y avance lentamente con un movimiento de barrido de lado a lado. Mantenga la acumulación de desechos y hojas delante de usted.



PRECAUCIÓN: La sopladora puede arrojar desechos y podría provocar posibles lesiones personales graves al operario o a las personas.

Trabaje sólo con luz natural o buena luz artificial.

Esta herramienta está diseñada sólo para uso residencial. Utilícela en espacios abiertos para trasladar los desechos donde sea necesario.

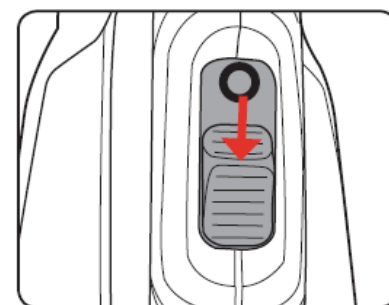
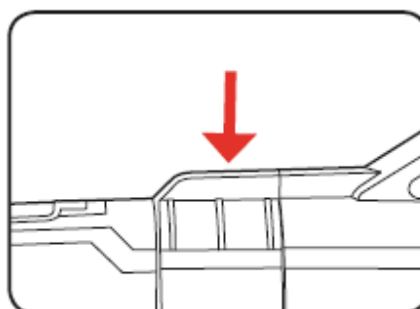
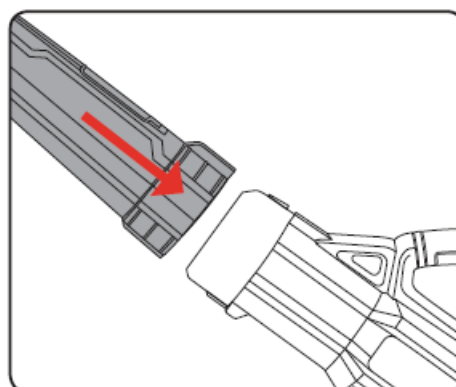
ADVERTENCIA: Siempre use gafas de seguridad para evitar lesiones graves en los ojos o la cara provocados por objetos contundentes.

No sople objetos duros como clavos, tornillos o piedras.

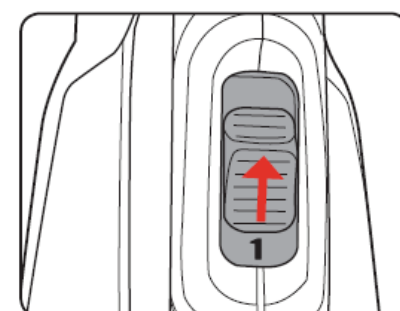
No opere la sopladora cerca de las personas ni de las mascotas.

Tenga sumo cuidado al limpiar la suciedad de escaleras o de áreas estrechas.

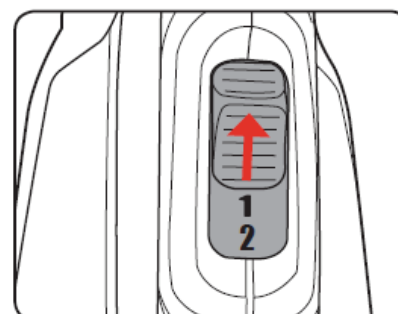
Cuando no usa la sopladora, guárdela junto con el cable de extensión bajo techo, en un lugar fresco y seco.



"0"= APAGADO




"1"= BAJA VELOCIDAD





"2"= ALTA VELOCIDAD


MANTENIMIENTO

Si la sopladora se ha caído, inspecciónela cuidadosamente para comprobar si sufrió algún daño. Si la caja tiene grietas o los mangos están rotos, o si detecta alguna otra condición que pudiera afectar el funcionamiento de la unidad, comuníquese con el centro de servicio autorizado local para que se realicen las reparaciones pertinentes antes de volver a usarla.

 **PRECAUCIÓN:** Evite en todo momento que líquidos de frenos, gasolina, productos a base de petróleo, aceites penetrantes, etc. entren en contacto con piezas plásticas. Contienen químicos que pueden dañar, debilitar o destruir el plástico.

 **IMPORTANTE:** A fin de garantizar la SEGURIDAD y la CONFIABILIDAD del producto, las reparaciones, el mantenimiento y los ajustes deben estar a cargo de una organización de servicio calificada, y siempre se deben utilizar repuestos idénticos.

 **PRECAUCIÓN:** NO MOJE LA SOPLADORA NI LA ROCÍE CON AGUA PARA LIMPIARLA. Nunca deje que penetre líquido en el interior de la sopladora, ni sumerja las piezas en líquido.

 **ADVERTENCIA:** Por su seguridad, coloque el interruptor en la posición de apagado y retire el enchufe del cable de extensión antes de realizar el mantenimiento de la sopladora.

Los fertilizantes y otros productos químicos para el jardín contienen agentes que aceleran la corrosión de los metales en forma considerable. No guarde la herramienta junto a fertilizantes ni productos químicos.

Asegúrese de que la sopladora esté desenchufada y luego utilice únicamente un jabón suave y un paño húmedo para limpiar la herramienta. No permita que se filtre líquido en el interior de la herramienta ni sumerja ninguna pieza en líquido.

SOLUCIÓN DE PROBLEMAS

Problema	Posible causa	Posible solución
- La unidad no funciona.	- El cable de extensión no está conectado al enchufe. - El cable no está conectado a la fuente de alimentación. - El interruptor no se encuentra en la posición de "ENCENDIDO".	- Verifique que el cable de extensión esté bien conectado a la sopladora. - Asegúrese de que el cable de extensión esté bien conectado a un receptáculo. - Verifique que el interruptor esté en la posición de encendido.

¡LLÁMENOS PRIMERO!

Si tiene preguntas sobre el funcionamiento o el mantenimiento de su soplador al 1-800-618-7474, de 8:00 a 17:00, hora estándar del este, , o obtener asistencia en scotts.americanlawnmower.com.

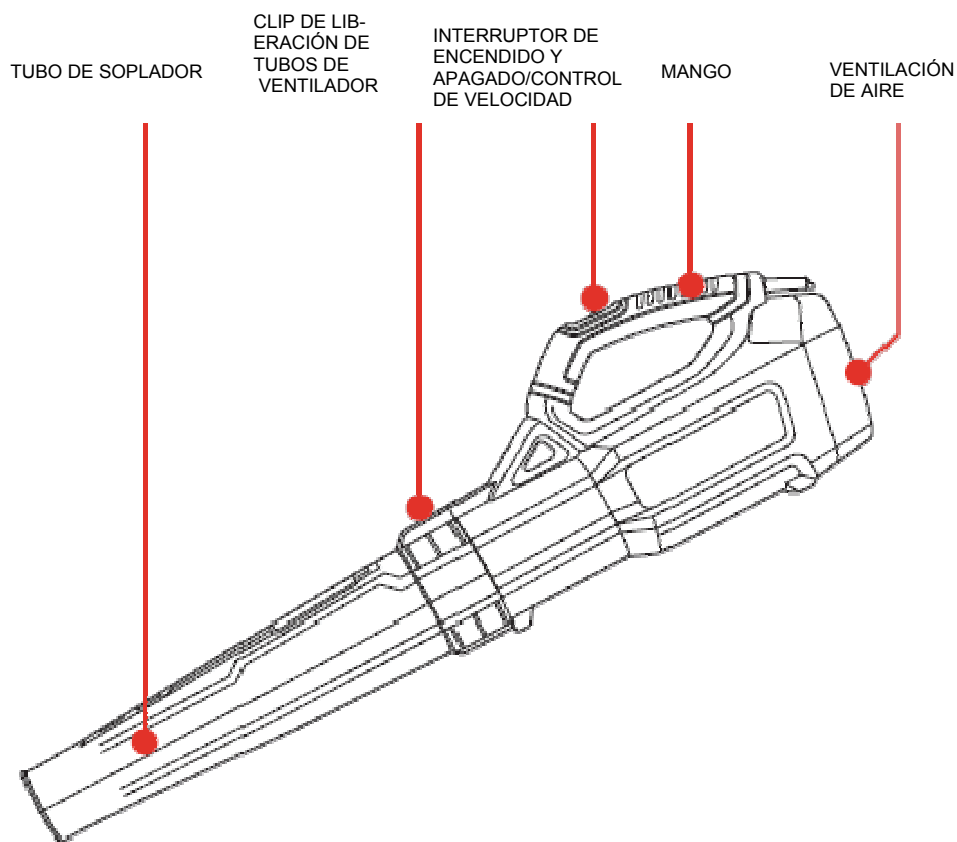
CARACTERÍSTICAS

ESPECIFICACIONES DEL PRODUCTO

Modelo BLR20085S

Entrada: 120 V, 60 Hz, 8.5 amperios
Velocidad sin carga: 13.000/15.500 RPM
Velocidad del aire: 153 km/h (95 MPH) - 193 km/h (120 MPH)
Longitud del tubo: 500 mm (20 pulg.)
Peso: 2,6 kg (5.7 lb.)

- Requiere montaje.- DOS velocidades -



PIEZAS Y SERVICIO

Para solicitar repuestos o servicio técnico, llame al 1-800-618-7474 o visite nuestra página web scotts.americanlawnmower.com. Asegúrese de proporcionar toda la información relevante cuando nos llame o visite.

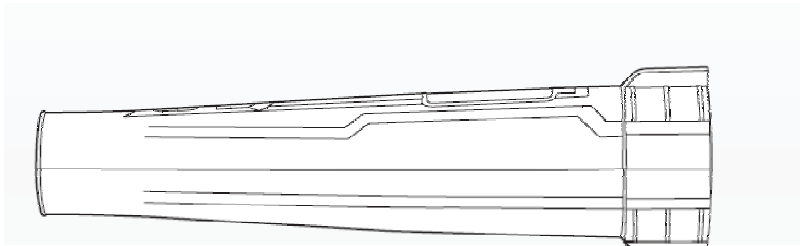
REPUESTOS (KITS / ARTÍCULOS)

El número de modelo/ de serie de esta herramienta se encuentra en una placa o etiqueta adjunta a la caja. Registre el número de serie en el espacio provisto a continuación.

MODELO N.º _____ **BLR20085S**

NÚMERO DE SERIE _____

Mencione siempre el serial del modelo cuando ordene kits para el mismo.



N.º	Número de kit/ Número de artículo	Descripción	Cantidad
1	BL85-BTK-1	Kit de tubo soplador	1

¡LLÁMENOS PRIMERO!

Si tiene preguntas sobre el funcionamiento o el mantenimiento de su soplador al 1-800-618-7474, de 8:00 a 17:00, hora estándar del este, o obtener asistencia en scotts.americanlawnmower.com.



MANUAL DEL OPERARIO

BLR20085S SOPLADORA ELÉCTRICA 8.5 Amp

Copyright. Todos los derechos reservados.

GARANTÍA

Política de garantía de Scotts

- **Garantía limitada de 3 años** para todas las herramientas eléctricas con cable Scotts a partir de la fecha de compra cuando se utilizan para uso personal, doméstico o familiar.
The Great States Corp. (GSC) garantiza al propietario original que este producto y pieza de servicio Scotts están libres de defectos de materiales y mano de obra y aceptar reparar o reemplazar cualquier producto o pieza defectuosa durante el período de garantía indicado anteriormente.
- La garantía queda anulada si se utiliza con fines comerciales o industriales o cualquier otro uso inadecuado según lo determine GSC.
- La garantía no incluye las reparaciones necesarias debido al abuso o negligencia del operador (incluyendo la sobrecarga del producto más allá de su capacidad o la inmersión en agua), o la falta de montaje, operación, mantenimiento o almacenamiento del producto de acuerdo con las instrucciones del manual del propietario.
- Estagantía no cubre
 - ◇ Elementos de desgaste, incluyendo pero no limitado a: correas y engranajes de transmisión, púas, cuchillas de cortadoras, hojas de segadora, cadenas de motosierra, hojas de trituración, ventiladores, cubiertas de carretes, hilo de desbrozadora, tubos de soplador y de vacío, barrasguía, mangueras de alta presión, ruedas, manijas, barrenas, bolsas desgastadas, cables de alimentación y otros elementos que se someten a desgaste a lo largo del tiempo.
 - ◇ Desgaste de las baterías, incluyendo pero no limitado a: caídas, desgaste y rotura del cargador, exposición a oscilaciones extremas de temperatura (caliente o fría), batería dejada en el cargador demasiado tiempo, batería dejada sin cargar por demasiado tiempo, y mal uso o abuso de la batería.
- Estagantía no cubre los daños causados por el frío, el calor, la lluvia, el exceso de humedad u otras condiciones ambientales extremas.
- Estagantía no cubre el deterioro normal del acabado exterior ni el desgaste normal de los productos, incluidos, entre otros, los arañazos, grietas, abolladuras o daños causados por productos químicos externos.
- Estagantía no es transferible y sólo se aplica a productos nuevos vendidos directamente por un distribuidor autorizado. Estagantía no se aplica a ningún producto, nuevo o usado, comprado a través de canales de terceros no autorizados. Para obtener información sobre distribuidores autorizados, comuníquese con nuestra línea de ayuda de asistencia al cliente llamando al 1-800-618-7474 (de lunes a viernes, de 8 a. m. a 5 p. m., hora del este).
- Cualquier pérdida, daño o gasto incidental, indirecto o consecuente que pueda derivarse de cualquier defecto o mal funcionamiento de los productos no está cubierto por la garantía.
- La garantía no incluye la instalación, el montaje o los ajustes normales que se explican en el manual del operador. Los gastos de entrega del producto al vendedor y los gastos de devolución del producto o de las piezas de recambio al propietario no están cubiertos por la garantía.

Limitaciones adicionales de la garantía

Algunos estados no permiten la exclusión o limitación respecto de la duración de una garantía implícita; por lo tanto, es posible que las limitaciones enunciadas anteriormente no le correspondan. Los productos vendidos con averías o incompletos, vendidos en las condiciones que se encuentren, o vendidos como reacondicionados no están cubiertos por la garantía.

Daños ni inconvenientes causados por envío, manipulación inadecuada, instalación incorrecta, voltaje incorrecto, cableado incorrecto, mantenimiento deficiente, modificaciones inadecuadas o el uso de accesorios o dispositivos de sujeción no recomendados específicamente no están cubiertos por la garantía.

Todos los reclamos de garantía deben estar acompañados de un comprobante de compra, recibo de compra original con fecha. Para reclamos vaya a scotts.americanlawnmower.com o llame a nuestra línea de ayuda de asistencia al cliente al 1-800-618-7474 de lunes a viernes, de 8 a. m. a 5 p. m., hora del este.



American Lawn Mower Company
The Great States Corporation
7444 Shadeland Station Way
Indianapolis, IN 46256
Estados Unidos
Teléfono 1-800-618-7474
scotts.americanlawnmower.com



MANUEL DE L'UTILISATEUR

SOUFFLEUR ÉLECTRIQUE 8.5 Amp

Modèle BLR20085S

Droit d'auteur. Tous droits réservés.



Ce produit a été conçu et fabriqué selon nos normes élevées de fiabilité, de facilité d'utilisation et de sécurité de l'utilisateur. Correctement entretenu, il vous procurera des années de service intensif et sans souci.



AVERTISSEMENT : Afin d'éviter de se blesser, l'utilisateur doit lire et comprendre le manuel de l'utilisateur avant d'utiliser ce produit.

Merci pour votre achat.

NE RENVOYEZ PAS CE PRODUIT AU MAGASIN. AVEZ-VOUS DES QUESTIONS CONCERNANT LE FONCTIONNEMENT, L'ASSEMBLAGE, LES PIÈCES OU LA RÉPARATION DU PRODUIT? ALLEZ SUR SCOTTS.AMERICANLAWNMOWER.COM, OU COMPOSEZ LE 1-800-618-7474 ENTRE 08 h 00 et 17 h 00, HEURE NORMALE DE L'EST, POUR TOUTE ASSISTANCE.

CONSERVEZ CE MANUEL POUR POUVOIR LE CONSULTER ULTÉRIEUREMENT



AVERTISSEMENTS DE SÉCURITÉ IMPORTANTS



POUR RÉDUIRE LE RISQUE DE BLESSURE :
Avant toute utilisation, assurez-vous que toute personne utilisant cet outil a lu et compris toutes les consignes de sécurité et les autres renseignements contenus dans ce manuel.

MISE EN GARDE : Portez des protections auditives appropriées pendant l'utilisation. Dans certaines conditions, ou en cas d'utilisation prolongée, le bruit émis par ce produit peut contribuer à une perte auditive.

Conservez ces instructions et relisez-les souvent avant d'utiliser le produit et d'instruire d'autres personnes quant à son utilisation.

AVERTISSEMENT : Lors de l'utilisation d'outils électriques de jardinage, les consignes de sécurité de base doivent toujours être suivies afin d'éviter les incendies, décharges électriques et blessures.

LIRE TOUTES LES INSTRUCTIONS

SÉCURITÉ GÉNÉRALE

GARDER HORS DE PORTÉE DES ENFANTS – Tous les visiteurs, enfants et animaux domestiques doivent se tenir au-delà du périmètre de sécurité de la zone de travail.

S'HABILLER DE FAÇON APPROPRIÉE – Ne portez pas des vêtements amples ou des bijoux. Ceux-ci risquent en effet d'être happés par les pièces en mouvement. Portez une protection des cheveux pour contenir les cheveux longs. L'utilisation de gants en caoutchouc et de chaussures robustes est recommandée pour les travaux à l'extérieur.

PORTER DES LUNETTES DE SÉCURITÉ – Lors de l'utilisation de ce produit, portez des lunettes de sécurité avec des écrans latéraux portant une marque de conformité à la norme ANSI Z87.1. Portez un masque facial ou antipoussières en présence de poussières.

Une protection par DISJONCTEUR DE FUITE DE TERRE (GFCI) doit être présente sur le ou les circuits ou prises à utiliser pour le souffleur. Des prises avec une protection GFCI intégrée sont disponibles et peuvent être utilisées.

UTILISER LE BON OUTIL – N'utilisez pas l'outil pour une tâche pour laquelle il n'a pas été conçu.

DOUBLE ISOLATION – La double isolation est un concept de sécurité des outils électriques, qui élimine le besoin d'un câble à 3 conducteurs avec terre. Toutes les pièces métalliques exposées sont isolées des composants métalliques du moteur interne par une isolation de protection. Il n'est pas nécessaire de raccorder les outils à double isolation à la terre.
REMARQUE : Le système à double isolation est conçu pour protéger l'utilisateur d'une décharge électrique résultant d'une rupture dans l'isolation interne de l'outil. Suivez toutes les consignes de sécurité normales pour éviter une décharge électrique.

FICHES POLARISÉES - Afin de réduire le risque de décharge électrique, ce produit comporte une prise polarisée. Les connexions polarisées ne peuvent être effectuées que de la bonne façon. Assurez-vous que la prise femelle de la rallonge comporte des emplacements pour une fiche large et une fiche étroite. Si la fiche ne s'enfonce pas entièrement dans la rallonge, inversez la fiche. Si elle ne s'adapte toujours pas, obtenez une rallonge appropriée. Si la rallonge ne convient pas à la prise murale, contactez un électricien qualifié pour installer une prise murale correcte. Ne changez en aucun cas la fiche de l'outil ou de la rallonge.

RALLONGE. Assurez-vous que la rallonge est en bon état. Lors de l'utilisation d'une rallonge, assurez-vous qu'elle est d'un calibre suffisant pour transmettre le courant consommé par le produit. Une rallonge de calibre insuffisant provoquera une baisse de tension de ligne qui entraînera une perte de puissance et une surchauffe. Le tableau suivant montre le calibre correct à utiliser en fonction de la longueur du câble et de l'intensité nominale de la plaque signalétique. En cas de doute, utilisez le calibre immédiatement supérieur. Plus le numéro de calibre est bas, plus le câble est lourd.

Calibre minimum pour les ensembles de câbles					
Volts	Longueur totale du câble en mètres et en pieds				
120V	0-7,6	7,9-15,2	15,5-30,4	30,7-45,7	
	(0-25)	(26-50)	(51-100)	(101-150)	
Intensité nominale		Calibre américain (AWG)			
Supérieure	Inférieure				
à	à				
0	- 6	18	16	16	14
6	- 10	18	16	14	12
10	- 12	16	16	14	12
12	- 16	14	12	Non recommandé	

Afin d'éviter de débrancher la rallonge lors de l'utilisation de l'appareil, faites un nœud comme illustré. Il est également possible de nouer plusieurs rallonges (comme illustré) afin de les empêcher de se déconnecter pendant l'utilisation.



AVERTISSEMENT : Utilisez des rallonges extérieures marquées SW-A, SOW-A, STW-A, STOW-A, SJW-A, SJTW-A ou SJTOWA. Ces câbles sont conçus pour une utilisation en extérieur et réduisent le risque de décharge électrique.

Avant chaque utilisation, vérifiez si le câble électrique est usé ou endommagé. N'utilisez pas le souffleur si le câble est endommagé ou usé.

Ne laissez jamais un enfant utiliser le souffleur.

Ne laissez jamais une personne peu familière avec ces instructions utiliser le souffleur.

DÉBRANCHER LE SOUFFLEUR de l'alimentation quand il n'est pas utilisé ou lors de l'entretien ou du nettoyage. Ne le laissez pas sans surveillance.

ÉVITER LES ENVIRONNEMENTS DANGEREUX – N'utilisez pas cet outil sous la pluie, dans les endroits humides ou mouillés. N'utilisez pas l'outil dans les atmosphères gazeuses ou explosives. Les moteurs de ces outils émettent normalement des étincelles, qui pourraient enflammer les vapeurs.

ÉVITER UNE MISE EN MARCHÉ ACCIDENTELLE – Ne portez pas le souffleur avec un doigt sur le contacteur. Assurez-vous que le contacteur est sur arrêt avant d'effectuer le branchement.

NE PAS TIRER SUR LE CÂBLE D'ALIMENTATION – Ne portez jamais le souffleur par le câble d'alimentation et ne tirez jamais celui-ci pour le débrancher. Maintenez le câble à l'écart de la chaleur, de l'huile et des bords tranchants.

NE PAS FORCER LE SOUFFLEUR – Il sera plus efficace et risquera moins de blesser s'il est utilisé à l'intensité pour laquelle il a été conçu.

RESTER VIGILANT – Regardez ce que vous faites. Faites preuve de bon sens. N'utilisez pas le souffleur si vous êtes instead of être l'influence de médicaments, de drogues ou d'alcool.

Si le câble est endommagé lors de l'utilisation, débranchez-le immédiatement de l'alimentation. **NE PAS TOUCHER LE CÂBLE AVANT DE DÉBRANCHER L'ALIMENTATION.**

RANGER LE SOUFFLEUR À L'INTÉRIEUR – Lorsqu'il n'est pas utilisé, le souffleur doit être rangé à l'intérieur dans un endroit sec et hors de portée des enfants.

ENTREtenir LE SOUFFLEUR AVEC SOIN – Maintenez le tube de soufflage non obstrué et propre pour le meilleur rendement et pour réduire le risque de blessures. Inspectez régulièrement la rallonge et remplacez-la si elle est endommagée. Maintenez les poignées sèches, propres et exemptes d'huile et de graisse.

Dirigez toujours le câble vers l'arrière et à l'écart du souffleur.

L'opérateur ou l'utilisateur est responsable des accidents ou des dangers encourus par d'autres personnes ou leurs biens.

Ne soufflez jamais des débris dans la direction des passants.

AVERTISSEMENT : Proposition 65 de l'État de la Californie : L'État de la Californie considère que certains produits chimiques contenus dans cet appareil sont à l'origine de cancers, de malformations congénitales et d'autres troubles de l'appareil reproducteur.

AVERTISSEMENT: Cancer ET Troubles de l'appareil reproducteur - www.P65Warnings.ca.gov.

SYMBOLES

Certains des symboles suivants peuvent apparaître sur ce produit. Examinez-les et apprenez leur signification. Une interprétation correcte des symboles vous permettra d'utiliser ce produit plus efficacement et de façon plus sécuritaire.



AVERTISSEMENT! Précautions concernant votre sécurité.



ATTENTION! Lisez le manuel de l'utilisateur et respectez les avertissements et les consignes de sécurité.



ATTENTION! Débranchez immédiatement l'appareil si le câble est endommagé.



ÉTEIGNEZ L'APPAREIL! et débranchez la prise du secteur avant tout entretien, nettoyage ou réparation!



ATTENTION! Portez toujours une protection oculaire et auditive.



DANGER! Gardez les personnes alentour à une distance sûre.



DANGER! Lorsque la protection est ouverte ou a été retirée, ne touchez pas à l'admission ou à l'évacuation.



DANGER! Risque de chocs électriques.



N'utilisez pas cet appareil sous la pluie ou lors d'orages électriques.



Les équipements électriques usagés ne doivent pas être éliminés avec les ordures ménagères. Recyclez l'appareil dans une installation appropriée. Pour obtenir des conseils sur le recyclage, renseignez-vous auprès des autorités locales ou de votre vendeur.

ASSEMBLAGE/UTILISATION

DÉBALLAGE

Ce produit requiert un assemblage.

Enlevez avec précaution le produit et les accessoires du carton.

Assurez-vous que tous les éléments figurant dans la liste du contenu sont inclus.

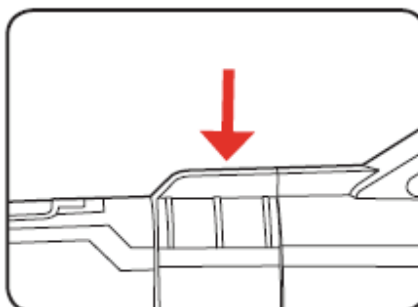
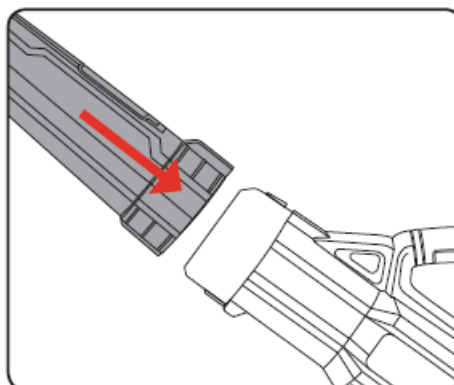
Inspectez soigneusement le produit pour vous assurer que rien n'a été cassé ou endommagé pendant le transport. Ne jetez pas le matériau d'emballage tant que vous n'avez pas soigneusement inspecté et utilisé le produit de façon satisfaisante

LISTE DU CONTENU

- Souffleur
- Tubes de souffleur
- Manuel de l'utilisateur

ASSEMBLAGE

1. Connectez la plus grande extrémité du tube du ventilateur au boîtier du ventilateur.
2. Assurez-vous que le clip de dégagement du tube du ventilateur s'enclenche dans le trou du tube du ventilateur.
3. Pour le retirer, appuyez sur le clip puis retirez-le en sens inverse.



AVERTISSEMENT : Assurez-vous que l'assemblage des deux tubes de souffleur est bien enclenché avant de faire fonctionner le souffleur.

CONTACTEUR DE MARCHE ET ARRÊT / COMMANDE DE LA VITESSE

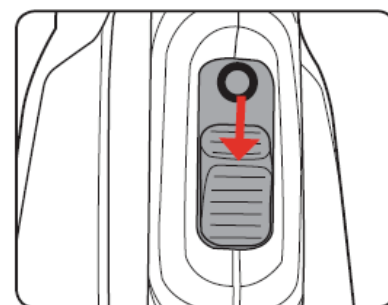
Pour un meilleur contrôle, le modèle BLR20085S est équipé d'un contacteur à deux vitesses situé sur la poignée du bloc moteur.

Le contacteur comporte trois positions : « O », « 1 » et « 2 ».

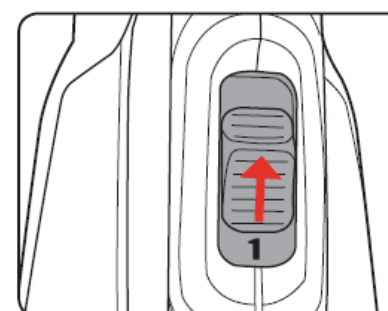
La position « O » est l'arrêt. Pour une utilisation à vitesse lente, placez le contacteur sur la position centrale; la position « 1 ». Pour une utilisation à vitesse rapide, placez le contacteur sur la position « 2 ».

Pour mettre l'outil en marche, faites coulisser le contacteur sur la position « 1 » ou « 2 » en fonction de la vitesse souhaitée.

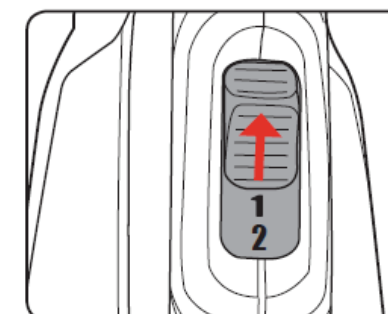
Pour l'arrêter, faites coulisser le contacteur sur la position « O ».



« O » = ARRÊT



« 1 » = LENT



« 2 » = RAPIDE

Tenez le tube du souffleur à environ 18 cm (7 po) du sol, mettez l'outil en marche et effectuez un mouvement de balayage latéral en avançant lentement. Maintenez l'accumulation de débris/feuilles devant vous.



MISE EN GARDE : Le souffleur peut projeter des débris pouvant gravement blesser l'opérateur ou les passants.

N'utilisez votre outil qu'à la lumière du jour ou sous un bon éclairage artificiel.

Le souffleur est conçu pour une utilisation résidentielle uniquement. Utilisez le souffleur extérieur pour déplacer des débris selon le besoin.

AVERTISSEMENT : Veillez à toujours porter des lunettes de sécurité pour empêcher la projection de débris aux yeux et au visage. Sinon, vous risquez de vous blesser gravement.

Ne soufflez pas des objets durs tels que des clous, des boulons, ou des cailloux.


Ne faites pas fonctionner le souffleur à proximité de passants ou d'animaux de compagnie.


Faites preuve d'extrême prudence lors du nettoyage des débris sur des marches ou d'endroits étroits.


Lorsqu'il n'est pas utilisé, le souffleur et les rallonges doivent être rangés à l'intérieur dans un endroit sec.


MAINTENANCE

Si l'appareil tombe, vérifiez soigneusement s'il est endommagé. Si le carter est fendu, les poignées cassées ou si vous détectez un autre problème pouvant affecter le fonctionnement de l'outil, contactez votre centre de réparation agréé local pour des réparations avant de le réutiliser.

 **MISE EN GARDE** : Ne laissez jamais de liquide de frein, d'essence, de produits à base de pétrole, d'huiles pénétrantes, etc. entrer en contact avec les pièces en plastique. Ces substances contiennent des produits chimiques pouvant endommager, affaiblir ou détruire le plastique.

 **IMPORTANT** : Pour garantir la SÉCURITÉ et la FIABILITÉ du produit, les réparations, la maintenance et le réglage doivent être effectués par un centre d'entretien qualifié qui utilise toujours des pièces de rechange identiques.

 **MISE EN GARDE** : NE VERSEZ PAS ET NE VAPORISEZ PAS D'EAU SUR LE SOUFFLEUR POUR LE NETTOYER. Ne laissez jamais de liquide pénétrer dans le souffleur. N'immergez jamais le souffleur ou une partie de ce dernier dans du liquide.

 **AVERTISSEMENT** : Pour votre sécurité, mettez l'interrupteur sur la position « OFF » (Arrêt) et retirez la fiche de la rallonge de la source d'électricité avant d'effectuer l'entretien de votre souffleur.

Les engrais et autres produits chimiques de jardinage contiennent des agents qui accélèrent fortement la corrosion des métaux. Ne rangez pas l'outil sur ou à côté d'engrais ou de produits chimiques.

Assurez-vous que le souffleur est débranché, n'utilisez ensuite que du savon doux et un chiffon mouillé pour nettoyer l'outil. Ne laissez jamais de liquide entrer dans l'outil; n'immergez jamais une partie de l'outil dans du liquide.

DÉPANNAGE

Problème	Cause possible	Solution possible
- L'appareil ne fonctionne pas	- La rallonge n'est pas branchée sur la prise - Le câble n'est pas branché sur la source d'alimentation - Le contacteur n'est pas sur la position « Marche »	- Vérifier si la rallonge est complètement raccordée au souffleur - Vérifier si la rallonge est complètement raccordée à une prise murale - Vérifier que contacteur est en position « Marche »

APPELEZ-NOUS D'ABORD!!

Appelez-nous d'abord pour toute question concernant le fonctionnement ou la maintenance de votre souffleur/aspirateur au 1-800-618-7474 entre 8h00 et 17h00, heure normale de l'Est, ou obtenir de l'aide sur scotts.americanlawnmower.com.

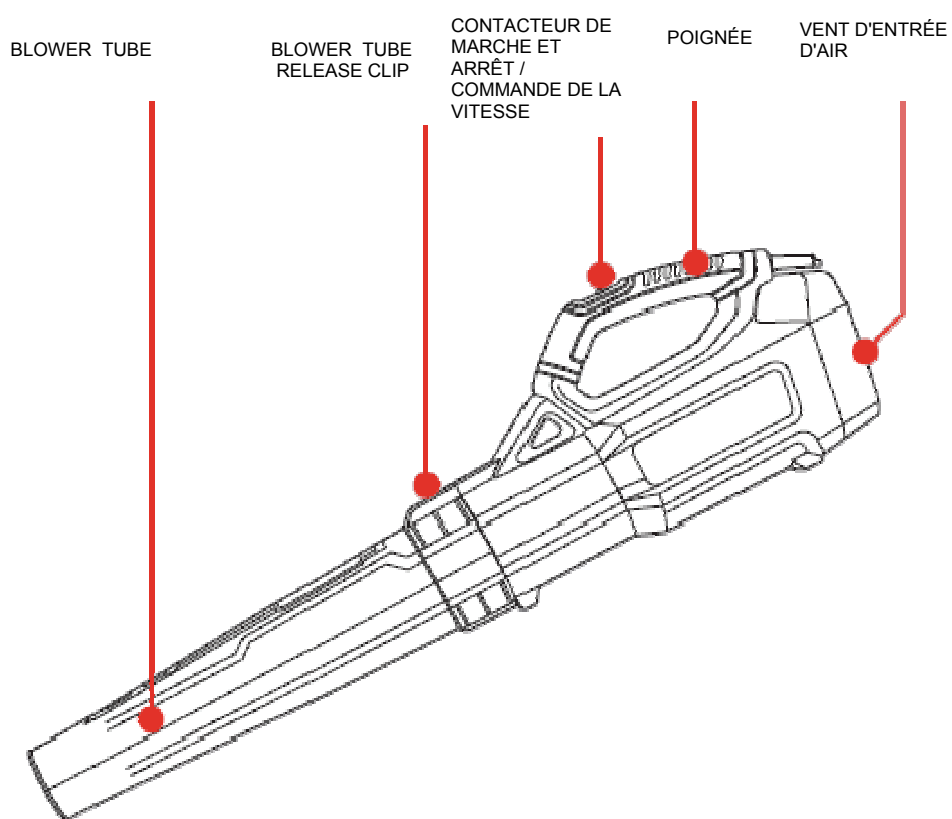
CARACTÉRISTIQUES

SPÉCIFICATIONS DU PRODUIT

Modèle n° BLR20085S

Entrée	120 V, 60 Hz, 8.5 A
Vitesse à vide	13 000/15 500 T/M
Vitesse de l'air	153 km/h (95 mph) / 193 km/h (120 mph)
Longueur du tube.....	500 mm (20 po)
Poids.....	2,6 kg (5,7 lb)

- Assemblage requis - DEUX vitesses -



PIÈCES ET SERVICE

Pour les pièces ou la réparation, veuillez appeler le 1-800-618-7474 ou visitez-nous en ligne au scotts.americanlawnmower.com. Veuillez fournir toute l'information pertinente lorsque vous nous appelez ou nous rendez visite.

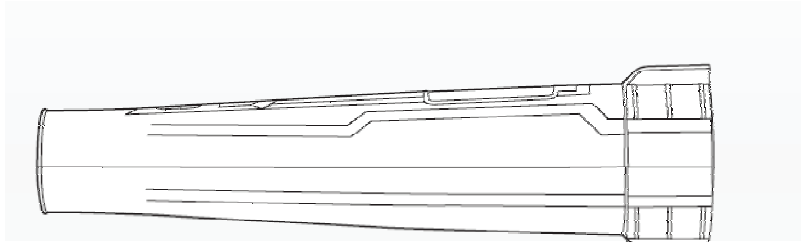
PIÈCES DE RECHANGE (KITS/ ARTICLES)

Le numéro de modèle/ de série de cet outil se trouve sur une plaque ou une étiquette fixée au bâti. Notez votre numéro de série dans l'espace prévu ci-dessous.

NUMÉRO DE MODÈLE BLR20085S

NUMÉRO DE SÉRIE _____

Toujours mentionner le numéro de modèle lors de la commande de kits pour cet outil.



N°	Numéro de kit/ Numéro d'article	Description	Quantité
1	BL85-BTK-1	Kit de tube de ventilateur	1

APPELEZ-NOUS D'ABORD!!

Appelez-nous d'abord pour toute question concernant le fonctionnement ou la maintenance de votre souffleur/aspirateur au 1-800-618-7474 entre 8h00 et 17h00, heure normale de l'Est, ou obtenir de l'aide sur scotts.americanlawnmower.com.



MANUEL DE L'UTILISATEUR

BLR20085S SOUFFLEUR ÉLECTRIQUE 8.5 Amp

Droit d'auteur. Tous droits réservés.

GARANTIE

Politique de garantie Scotts

- **Garantie limitée de 3 ans** sur tous les motoculteurs filaires Scotts à compter de la date d'achat lorsqu'ils sont utilisés à des fins personnelles, domestiques ou familiales.

The Great States Corp. (GSC) garantit au propriétaire original que ce produit et cette pièce de rechange Scotts sont exempts de défauts de matériaux et de fabrication et accepte de réparer ou remplacer tout produit ou pièce défectueux pendant la période de garantie comme indiqué ci-dessus.

- La garantie est annulée en cas d'utilisation du produit à des fins commerciales ou industrielles ou à toute fin inappropriée comme déterminé par GSC.
- La garantie ne comprend pas les réparations nécessaires découlant d'un mauvais usage ou d'une négligence de l'utilisateur (y compris surcharger le produit au-delà de sa capacité ou l'immerger dans l'eau), ou le manquement à assembler, opérer, entretenir ou ranger le produit selon les instructions du manuel du propriétaire.
- Cette garantie ne couvre pas
 - ◇ L'usure des articles, notamment les - courroies et engrenages d'entraînements, dents, lames de coupe, lames de tondeuse, chaînes de scie, lames à déchiqueter, ventilateurs de souffeuse, couvercles de dévidoir, ligne de coupe, tubes de souffeuse et d'aspiration, barres-guides, tuyaux à haute pression, roues, poignées, tarières, sacs usés, câbles électriques et autres articles sujets à l'usure au fil du temps.
 - ◇ L'usure des batteries, y compris notamment - les chutes, l'usure et le bris sur le chargeur, l'exposition à des changements extrêmes de températures (chaud ou froid), la batterie laissée trop longtemps sur le chargeur, la batterie laissée trop longtemps non chargée, et une mauvaise utilisation ou un mauvais traitement de la batterie.
- Cette garantie ne couvre pas les dommages causés par le froid, la chaleur, la pluie, l'humidité excessive et les autres conditions environnementales extrêmes.
- Cette garantie ne couvre pas la détérioration normale de la finition extérieure ou l'usure normale sur les produits, y compris notamment les éraflures, fissures, entailles ou dommages causés par des produits chimiques extérieurs.
- Cette garantie n'est pas transférable et s'applique seulement aux nouveaux produits vendus directement par un détaillant autorisé. Cette garantie ne s'applique pas à tout produit, neuf ou d'occasion, acheté par le biais de canaux tiers non autorisés. Pour de l'information sur les détaillants autorisés, communiquez avec notre ligne directe du service à la clientèle au 1-800-618-7474 (lun. au ven., 8 h à 17 h, HNE)
- Tout dommage, perte ou frais consécutif, indirect ou conséquent qui pourrait résulter d'un défaut, d'une défaillance ou d'un dysfonctionnement du produit n'est pas couvert par la garantie.
- La garantie ne comprend pas l'installation, l'assemblage ou les réglages normaux expliqués dans le manuel de l'opérateur. Les frais de livraison du produit au vendeur et les frais de renvoi du produit ou des pièces de rechange au propriétaire ne sont pas couverts par la garantie.

Limites supplémentaires concernant la garantie

Certains États/provinces ne permettent pas l'exclusion ou la limitation de la durée d'une garantie implicite; les restrictions ci-dessus peuvent donc ne pas s'appliquer. Les produits vendus endommagés ou incomplets, vendus tels quels, vendus remis en état ne sont pas couverts par la garantie. Les dommages ou responsabilités provoqués par le transport, une mauvaise manipulation, un mauvais assemblage, une tension ou un câblage incorrect, une mauvaise maintenance, une modification incorrecte ou l'utilisation d'accessoires ou d'outils non spécifiquement recommandés ne sont pas couverts par cette garantie.

Une preuve d'achat (original du reçu de vente daté) doit accompagner toute réclamation de garantie.

Pour les réclamations, allez à scotts.americanlawnmower.com ou communiquez avec notre ligne directe du service à la clientèle de 8 h à 17 h HNE, lun. au ven. au 1-800-618-7474



American Lawn Mower Company
The Great States Corporation
7444 Shadeland Station Way
Indianapolis, IN 46256 États-Unis
Téléphone 1-800-618-7474
scotts.americanlawnmower.com