



Thank you for selecting JELD-WEN products. Attached are JELD-WEN's recommended installation instructions for Interior Pre-Hung hollow core, solid core, wood, molded and premium composite doors.

Read these installation instructions thoroughly before beginning. They are designed to work in most existing applications. However, existing conditions may require changes to these instructions. If changes are needed, they are made at the installer's risk. For installations other than indicated in these instructions, contact a building professional.

IMPORTANT INFORMATION | TABLE OF CONTENTS | GLOSSARY

Not all door types may be installed into every wall condition in all areas. Consult your local building code official for applicable building codes and regulations. Local building code requirements supersede recommended installation instructions. Failure to install into a square, level and plumb condition could result in denial of warranty claims for operational or performance problems.

NOTE TO INSTALLER: Provide a copy of these instructions to the building owner. By installing this product, you acknowledge the terms and conditions of the limited warranty as part of the terms of the sale.

Table of Contents

Safety 2
 Storage and Handling 2
 Finishing 2
 Materials and Tools 3
 Remove Packaging and Inspect Door 3
 Inspect Rough Opening 3
 Install Door 4

Glossary

Head Jamb

The horizontal frame element at the top of the door.

Pre-Hung Door

An assembly consisting of the door frame and door slab where the door slab is already installed, or hung, in the frame.

Side Jamb

The vertical frame elements on either side of the door.

Slab

The operating part of the door assembly that swings open and closed inside a frame.

Please allow sufficient time to properly prepare the rough opening, install the door, and ensure its proper operation.

SAFETY | STORAGE AND HANDLING | FINISHING

Safety

- Read and fully understand ALL manufacturer's instructions before beginning. Failure to follow proper installation instructions may result in the denial of warranty claims for operational or performance problems.
- Do not work alone. Two or more people are required. Use safe lifting techniques.
- Use caution when handling glass. Broken or cracked glass can cause serious injury.
- Wear protective gear (e.g. safety glasses, gloves, ear protection, etc.).
- Operate hand/power tools safely and follow manufacturer's operating instructions.
- Heed material manufacturer's handling and application instructions.
- If disturbing existing paint, take proper precautions if lead paint is suspected (commonly used before 1979). Your regional EPA (www.epa.gov/lead) or Consumer Product Safety Commission offices provide information regarding regulations and lead protection.



WARNING: Drilling, sawing, sanding or machining wood products can expose you to wood dust, a substance known to the State of California to cause cancer. Avoid inhaling wood dust or use a dust mask or other safeguards for personal protection. For more information go to www.P65Warnings.ca.gov/wood.

Storage and Handling

- Deliver doors to the building site after the plaster, drywall and/or concrete are dry.
- If the doors are being stored at the job site and not for immediate installation, the top, bottom and sides must be sealed.
- Hollow core doors may be more prone to warp than solid core doors. When stacking doors, keep the top door covered at all times with a cover sheet, plywood or cardboard. This is critical to prevent warping.
- Keep the doors away from direct sunlight and sources of extreme heat, cold or humidity.
- Make sure the slab is secured prior to installation.
- Do not put stress on joints, corners or frames.
- Store in a vertical, leaning position on a level surface in a clean, dry, well ventilated building. Protect from dirt, water and abuse. Allow air circulation. Cover with a moisture barrier. Do not stack horizontally.
- Doors should always be handled with clean hands or while wearing clean gloves.
- Doors should be lifted and carried when being moved. Do not drag across the floor.
- Doors should not be subjected to abnormal or sudden variations in heat, dryness or humidity, and should not be exposed to direct sunlight. Recommended humidity and temperature are 25% - 55% RH and 50°F - 90°F (10°C - 32°C).
- Doors should be stored at least 10' away from any heat source. Excessive heat on a door creates uneven drying which results in warping, splitting, and bowing on the door surfaces.
- Doors should be climatized to the average prevailing humidity and temperature before hanging for at least 48 hours. In below-zero or extreme temperatures, doors should be stored properly in a dry building at normal room temperatures for at least 72 hours before hanging.

Finishing

- Set-up your finishing area by making sure your work area is clean, well-lighted, dust free, well ventilated, out of direct sunlight and in a climate controlled environment. When painting and staining avoid carpeted areas, cover all areas subject to paint or stain exposure.
- Doors should acclimate to the environment where they will be installed for a minimum of 48 hours under normal room temperature conditions (72 Hours in extreme weather conditions). Avoid finishing immediately after a rain or damp weather and during periods of higher than average humidity. In very dry conditions, the door should be finished right after the wrapping is removed. Ensure adequate air flow around all surfaces of the door when conditioning. Follow paint/stain manufacturer's instructions noting both temperature and humidity recommendations. Remove all hardware before finishing.
- If you must use a water-based paint please apply in light coats, in a warm dry environment. Do **NOT** reduce paint beyond the manufacturer's recommendations. If you attempt to apply water-based paints in a cold or damp environment, or apply the paint in a heavy coat, the paint will take longer to dry and the water in the paint will penetrate into the board, raising the grain or fibers in the substrate. The use of satin or semi-gloss finish is highly recommended.
- **WARNING:** Distortions such as warping, bowing and waviness, can appear as a result of incorrect topcoat (paints or stains), improper finishing techniques and or finishing conditions. These are caused by but are not limited to incorrect topcoat, watered down paints, high humidity environments, excessive application of paints, and doors not being acclimated properly.

For additional details reference Window & Door Manufacturers Association guidelines on how to store, handle, finish and install wood doors.

MATERIALS AND TOOLS

Provided Materials

- Two color matched #9 x 2-1/2" screws (for securing the top two hinges into framing). Applies only to solid core, premium composite and wood stile and rail doors.

Needed Materials

NOTE: Follow all material manufacturer's instructions for proper use and compatibility.

- 10d Finish nails
- 4d Finish nails
- Shims
- Wood putty
- Sandpaper
- Finishing materials
- 100% polyurethane sealant (for two piece frames)

Needed Tools

- Hammer
- Tape measure
- Utility knife
- Level (4 ft. minimum recommended)
- Circular saw or jigsaw (for trimming jambs if necessary)
- Nail punch
- Screwdrivers

1

REMOVE PACKAGING AND INSPECT DOOR

Remove Packaging

Remove shipping materials such as corner covers, shipping blocks or pads.

NOTE: Be sure to remove the shipping clips or screws through the header into the slab from the door before beginning the installation.

Inspect Door

- When doors are received they must be inspected immediately for quality, including correct size, machining, color, design, cosmetic damage, specie of veneer and finish, if factory finished.
- Product squareness (diagonal measurements must be within 1/4" difference).
- Correct product (size, color, grid pattern, handing, glazing, energy-efficiency requirements, etc.).
- Correct Handing. To determine door swing (left or right), face the door from the side where hinges cannot be seen. Right handed doors open to the right, while left handed doors open to the left.

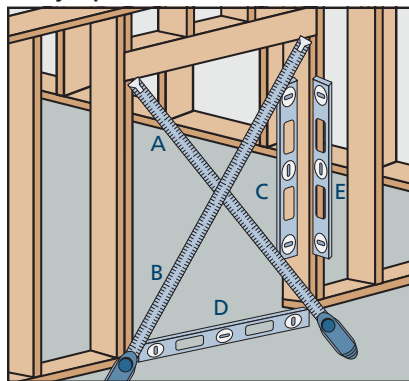
If any of the above conditions represent a concern, do not install the door. Contact your dealer or distributor for recommendations.

2

INSPECT ROUGH OPENING

- Verify the width and height of the door frame are each 1/2" smaller than the rough opening width/height.
- Verify the rough opening is square. The (A) and (B) measurements should be the same. Maximum allowable deviation from square is 1/4".
- Verify the rough opening is plumb (C, E and D). The maximum allowable deviation is 1/8".
- The rough opening sill must not be crowned or sagged (D), but rather be level or sloped (positive slope) to the exterior.

Verify Square, Level and Plumb



- The exterior face of the rough opening must be in a single plane (E) with less than 1/8" twist from corner to corner.
- Minimum double studs should be used at all rough openings.
- The header must be supported by trimmer studs.
- Do not install the door unless the rough opening meets the above conditions. Professional assistance may be necessary to correct problems before installation.

IMPORTANT! The door should be finished either before installation or immediately after (whichever is more convenient).

NOTE: If removing the slab from the frame for finishing, remove hinges from the jamb only, do not remove hinges from the slab.

For Retrofit Installations

For retrofit installations remove the old door and contact your local waste management entities for proper disposal or recycling of products being removed.

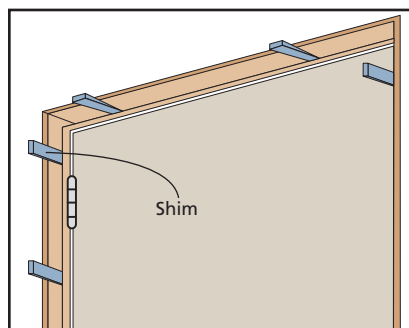
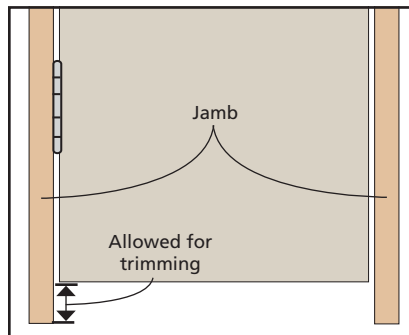
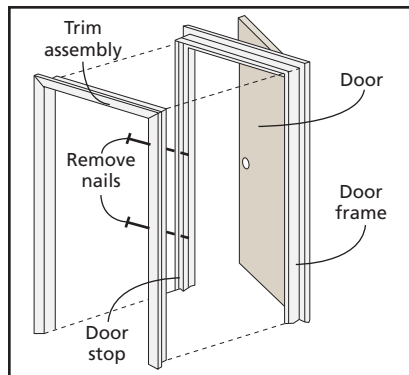
3 INSTALL DOOR

WARNING! To avoid injury, use at least two people to install. Adequately support the door until completely fastened. Pre-hung doors will be either a one or two piece jamb system. One piece jamb doors come without trim applied. Two-piece jamb doors come in two sections. The inside and outside trim are already applied to the main frame. The frame section with the pre-hung door is nailed in place, then the other frame section with the outside trim slides in from the other side and fits closely to the wall. The two sections are assembled with a tongue and groove joint which is covered by the door stop.

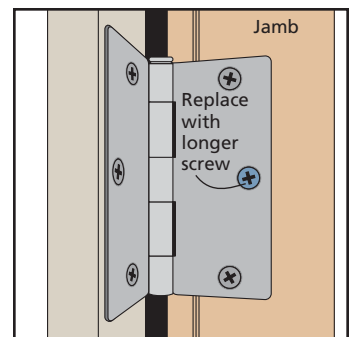
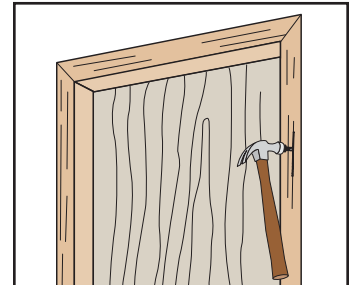
One piece jamb systems skip step 1 and begin with step 2.

1. If installing a two piece jamb system, separate the trim assembly from the frame section. The trim assembly may be taped or tacked to hold it in place during shipping. Frame components can be lightly primed or stained prior to installation, but wait until after installation before applying finish coats.
2. Pre-hung door frames extend below the slab to allow for different floor heights. The jambs can be trimmed as needed before beginning installation, however make sure to leave adequate space to allow air to pass under the door according to ventilation codes.
3. Remove any packaging or nails that hold the door closed.
4. Position the door unit into the opening and level the hinge side of the jamb. Use shims fastened through the jamb and stop with 10d finish nails approximately 2" from the top and 2" from the bottom of the jamb to level and temporarily secure in place.

Two-Piece Jamb System



5. Level the latch side of the jamb in the same manner as the hinge jamb. Ensure the jamb is not twisted and that the spacing between the jamb and door is uniform on all sides. Adjust the latch side of the jamb as necessary.
6. Shim the top of the jamb in the center of the opening and fasten with a 10d finish nail.
7. Re-check for square, level and even spacing around the door. Nail securely in place through the stop, jamb, shims and into the studs every 12"-16". Set nails with a nail punch.
8. Position trim or slide trim assembly (two piece jamb) into place in the frame. Carefully nail the trim on both sides of the door every 12" to 16" using 4d finishing nails.
9. After installation, replace the center screw (as shown) in the top two hinges (through the leaves toward the jamb) with the provided #9 x 2 1/2" screws.



Complete Installation

1. Install lockset hardware per supplied instructions.
2. Fill any nail/screw holes and sand smooth.
3. If installing a two piece jamb system, run a bead of 100% polyurethane sealant in all joints and tool until smooth.
4. Finish all six sides of the door slab as well as the frame (if not already done). Note! If removing the slab from the frame for finishing, remove hinges from the jamb only, do not remove hinges from the slab.
5. Protect recently installed units from damage from plaster, paint, etc. by covering the unit with plastic.

Please visit jeld-wen.com for warranty and care and maintenance information.

Thank you for choosing

