

Genta Technical Specification

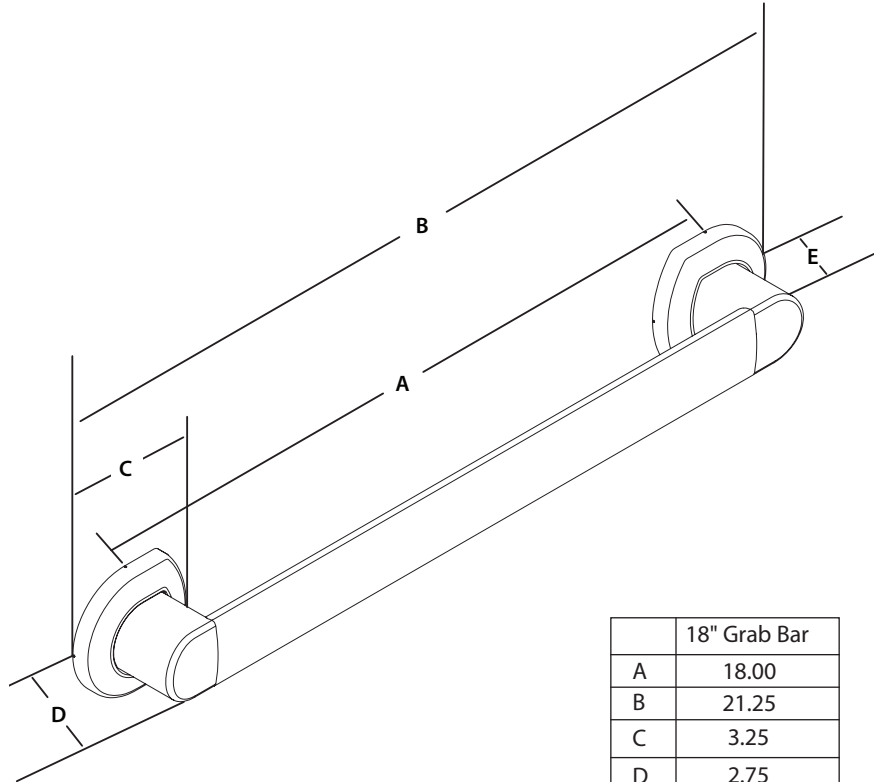
Grab Bar with Press and Mark

MBHG3818

Stock Numbers:

- **MBHG3818CH – 18" Grab Bar**
Chrome Finish
- **MBHG3818BN – 18" Grab Bar**
Brushed Nickel Finish

Dimensions:



| | 18" Grab Bar |
|---|--------------|
| A | 18.00 |
| B | 21.25 |
| C | 3.25 |
| D | 2.75 |
| E | 1.50 |

Materials:

Grab Bar posts and bars are constructed of stainless steel.

Cleaning Instructions:

To preserve the fine finish of this product, clean only with a soft damp cloth. Dry well. Do not use commercial or abrasive cleaners.

Stock Number: _____ Grab Bar with Press and Mark
By Moen Incorporated

MOEN®

25300 AL MOEN DRIVE • NORTH OLMSTED, OH 44070
CONSUMER SUPPORT: (800) 289-6636 • FAX: (800) 848-6636
INTERNATIONAL: (440) 962-2000 • FAX: (440) 962-2726
CUSTOMER SERVICE (USA): 800-882-0116 • FAX: (888) 379-2720
WWW.MOEN.COM
© 2018 Moen Incorporated.