

16540



Call Us First!
DO NOT RETURN TO STORE.

For questions on assembly or for general inquiries, you may contact us in the following ways:
Call customer service: **1-877-743-3400**

AVOID THE WAIT!

visit us online at
help.backyardproducts.com

- Submit a help request
- Answers to frequently asked questions
- Live chat with an agent



Did you enjoy building your shed?

JOIN OUR TEAM
AND MAKE UP TO \$1,500/WEEK*

Call a Recruiter Today! 734-365-7000



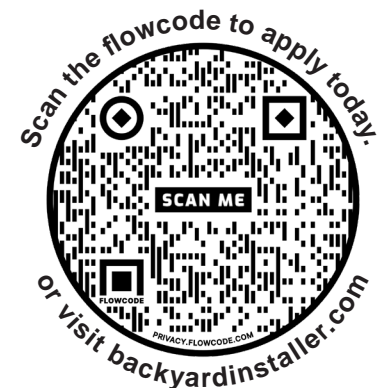
Flexible schedule



No selling,
just building



Bonus incentives
available



*based on number of completed installations



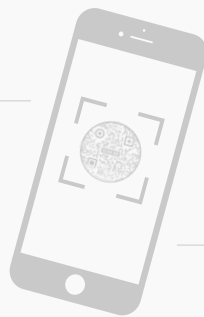
Win \$500

A new winner is selected every 2 months.

Review your product for the chance to win a **\$500 Visa Gift Card**.



How to Enter:



Open camera.
Aim. Tap.



1

Scan
QR code above.

2

Click
'write a review'

3

Find your product.
Tell us what you think.

4

Submit your review.
You'll be notified by e-mail if
you've won the \$500 gift card.

Write a Backyard Products, LLC. product review at backyardreviews.net for a chance to win a \$500 Visa gift card. No purchase necessary to enter. Must be legal U.S. resident (including DC & Puerto Rico), 18 or older to participate. Taxes on prize are responsibility of winner. Odds of winning depend on the number of eligible reviews received. Void where prohibited. For complete details and official rules, visit <https://backyardreviews.net/sweepstakes-rules>.

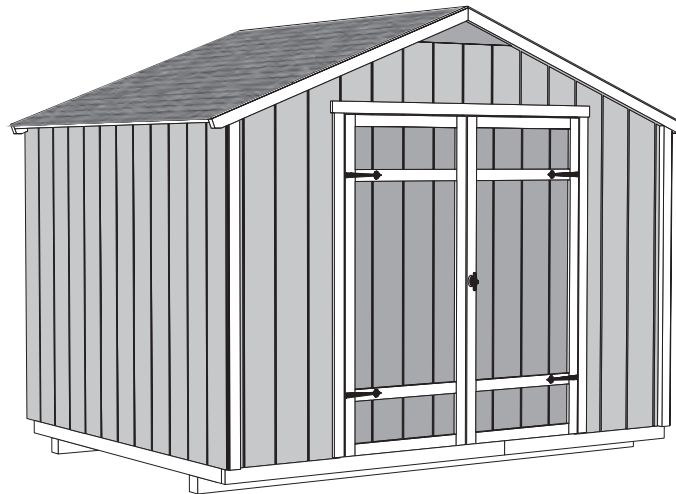
ASSEMBLY MANUAL

MARCO SERIES

MONARCH 10' x 8' (305 x 244 cm)

ACTUAL FLOOR SIZE IS 120" x 92-1/2" (304,8 x 235 cm)

KEEP THIS MANUAL FOR FUTURE REFERENCE



⚠ **IMPORTANT!** ⚠

READ INSTRUCTIONS THOROUGHLY PRIOR TO BEGINNING ASSEMBLY.

BEFORE YOU BEGIN

- **BUILDING RESTRICTIONS AND APPROVALS**

Be sure to check with local building department and homeowners association for specific restrictions and/ or requirements before building.

- **ENGINEERED DRAWINGS**

Contact our Customer Service Team if engineered drawings are needed to pull local permits.

- **SURFACE PREPARATION**

To ensure proper assembly you must build your shed on a level surface. Recommended methods and materials to level your shed are listed on page 7.

- **CHECK ALL PARTS**

Inventory all parts listed on pages 4 - 5. Contact our Customer Service Team if any parts are missing or damaged.

- **ADDITIONAL MATERIALS**

You will need additional materials to complete your shed. See page 3 for required and optional materials and quantities.



- **CUSTOMER SERVICE** -



Call: 1-800-221-1849 email: customerservice@handyhome.com

TOOLS

Required


Phillips Screwdriver 

Drill / Driver
 3/8" Drill Bit
 #2 Philips Drive Bit


Hammer 

Level 


Pencil 

Tape Measure 

Square  or 

Utility Knife 
 Shingle Blades 

Caulk Gun 


Paint Tools 

Safety Glasses 


Ladder 

Optional

Tool Belt/ Nail Pouch 

Tin Snips (for drip edge) 

Chalk Line 


Nail Gun
 • gun nails 


Gloves 


Safety! Always use approved safety glasses during assembly.


HELPFUL REMINDER SYMBOLS

Look for these symbols for helpful reminders throughout this manual.

 = Assistance Required; two or more people.


 = Ensure squareness.

 = Important required step or operation.

 = Helpful assembly hint.

 = Mark part with pencil.

 **BEGIN** = Beginning of steps for assembly or installation.

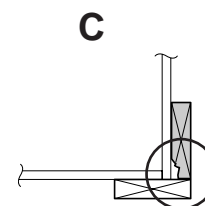
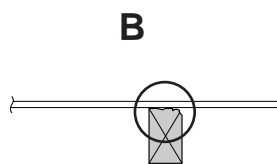
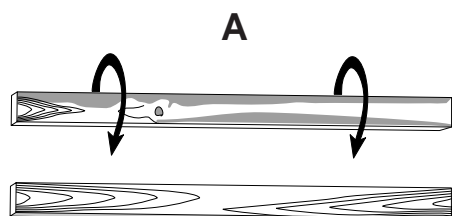
 **FINISH** = You have finished the assembly or installation.

 = Level

ORIENT LUMBER AND TRIM FOR BEST APPEARANCE

Framing lumber is graded for structural strength and not appearance. Exterior trim is graded for one good side.

Always install the material leaving the best edge and best surface visible. Please remember that these blemishes in no way negatively affect the strength or integrity of our product. (See Fig. A, B, C.)



ADDITIONAL MATERIALS

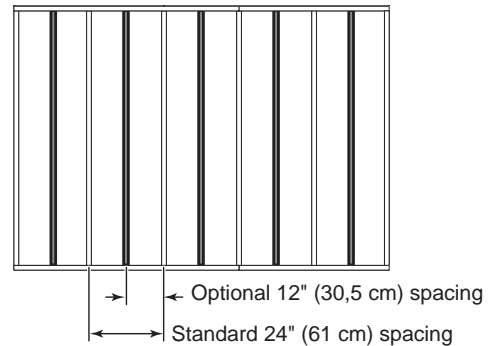
FOUNDATION OR FLOOR MATERIALS

- This shed kit includes a wood floor frame system. It does not include any floor panels.
- **See page 6 for the additional floor panel sizes and quantities required.**
- This shed kit does not include ANY leveling materials.
- **See the FLOOR LEVELING section on page 7 for recommended methods and suggested materials to properly level your floor, as this will vary depending on your specific site.**

REINFORCED WOOD FLOOR FRAME (OPTIONAL)


IMPORTANT! The included floor has been designed for general use. Depending on your specific use you may want to construct a heavy duty floor frame by adding additional floor joists (shown below as shaded). Below is a list of additional materials (not included):

- x5** 2 x 4 x 8' (5 x 10 x 244 cm) Treated Lumber
Cut to (5) 2 x 4 x 89-1/2" (5 x 10 x 227 cm)
- x20** ea. 3" (7,6 cm) Hot Dipped Galvanized Nails



COMPLETING YOUR SHED

You will need these additional materials:

- | | |
|--|---|
| <input type="checkbox"/> 3-TAB SHINGLES 4 Bundles | <input type="checkbox"/> 1" GALVANIZED ROOFING NAILS 3 Lbs
For shingles. |
| <input type="checkbox"/> PAINT FOR SIDING 2 Gallons
Use 100% acrylic latex exterior paint. (2) coats recommended. | <input type="checkbox"/> PAINT FOR TRIM1 Quart
Use 100% acrylic latex exterior paint. |
| <input type="checkbox"/> CAULK 2 Tubes
Use acrylic latex exterior caulk that is paintable.  | |

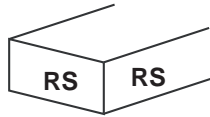
OPTIONAL MATERIALS

- | | |
|---|--|
| <input type="checkbox"/> DRIP EDGE 50 Feet | <input type="checkbox"/> #15 ROOFING FELT
To cover 105 Sq. Ft. of roof area. |
| | <input type="checkbox"/> 1" GALVANIZED ROOFING NAILS1/4 Lb
For roofing felt. |

REFER TO THE BACK OF THIS MANUAL AND THE MANUFACTURER'S INSTRUCTIONS FOR INSTALLATION OF SHINGLES, DRIP EDGE AND FELT.

PARTS IDENTIFICATION AND SIZES

Part identification is stamped on some parts.



• Check these locations for part stamp.

Treated lumber is stamped:

TREATED

WOOD SIZE CONVERSION CHART

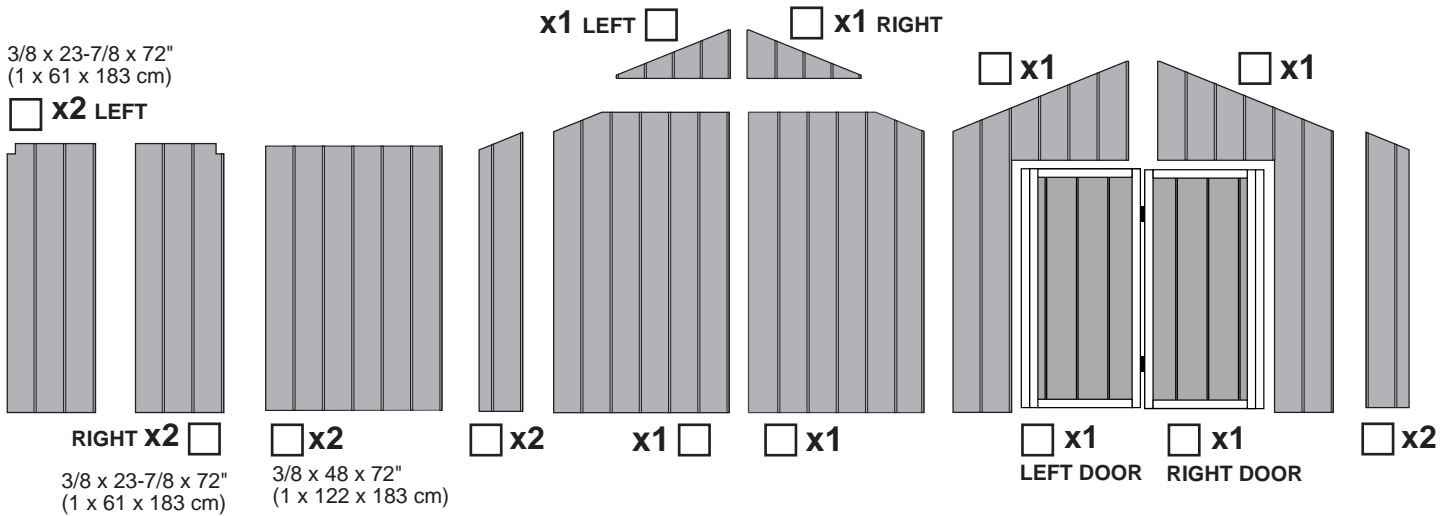
Nominal Board Size	Actual Size
2 x 4	1-1/2" x 3-1/2" (3,8 x 8,9 cm)
1 x 4	3/4" x 3-1/2" (1,9 x 8,9 cm)
2 x 3	1-1/2" x 2-1/2" (3,8 x 6,3 cm)
1 x 3	3/4" x 2-1/2" (3,8 x 6,3 cm)

PARTS LIST

INVENTORY YOUR PARTS before you begin.
We suggest sorting parts by the category they are listed in.

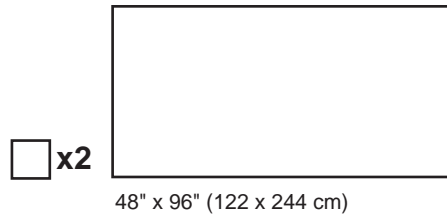
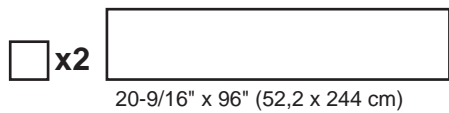
- | | | | |
|--------------|---|---|--|
| FLOOR | <input type="checkbox"/> x2 <input type="text" value="TREATED"/> 2 x 4 x 48" (5 x 10 x 122 cm) | | |
| | <input type="checkbox"/> x2 <input type="text" value="TREATED"/> 2 x 4 x 72" (5 x 10 x 183 cm) | | |
| | <input type="checkbox"/> x6 <input type="text" value="TREATED"/> 2 x 4 x 89-1/2" (5 x 10 x 227 cm) | | |
| WALL | <input type="checkbox"/> x2 <input type="text" value="BXS"/> 2 x 3 x 15-1/8" (5 x 7,6 x 38,4 cm) | <input type="checkbox"/> x2 <input type="text" value="GAA"/> 1 x 3 x 5" (2,5 x 7,6 x 12,7 cm) | |
| | <input type="checkbox"/> x1 <input type="text" value="LT"/> 2 x 3 x 22-1/8" (5 x 7,6 x 56 cm) | | |
| | <input type="checkbox"/> x2 <input type="text" value="NH"/> 2 x 3 x 46-1/4" (5 x 7,6 x 117,5 cm) | | |
| | <input type="checkbox"/> x2 <input type="text" value="OSB"/> 7/16 x 2-1/2 x 49-1/2" (1,1 x 6,3 x 187 cm) OSB | | |
| | <input type="checkbox"/> x6 <input type="text" value="BPB"/> 2 x 3 x 67-9/16" (5 x 7,6 x 171,6 cm) | | |
| | <input type="checkbox"/> x4 <input type="text" value="ATB"/> 2 x 3 x 75-1/2" (5 x 7,6 x 191,8 cm) | | |
| | <input type="checkbox"/> x2 <input type="text" value="PNA"/> 2 x 3 x 92-1/2" (5 x 7,6 x 235 cm) | | |
| | <input type="checkbox"/> x2 <input type="text" value="PR"/> 2 x 3 x 94-1/2" (5 x 7,6 x 240 cm) | | |
| | RAFTERS | <input type="checkbox"/> x6 6 x 24" (15 x 61 cm) GUSSET | |
| | | <input type="checkbox"/> x6 <input type="text" value="CXS"/> 2 x 4 x 64-5/16" (5 x 10 x 163,4 cm) | |
| TRIM | <input type="checkbox"/> x1 3/8" x 5" x 25-7/8" (1,0 x 12,7 x 65,7 cm) | | |
| | <input type="checkbox"/> x1 <input type="text" value="CJB"/> 11/16" x 2-1/2" x 51-7/8" (1,7 x 6,3 x 131,8 cm) | | |
| | <input type="checkbox"/> x4 <input type="text" value="AAA"/> 2 x 3 x 68-9/16" (5 x 7,6 x 174,1 cm) | | |
| | <input type="checkbox"/> x4 <input type="text" value="CFB"/> 2 x 3 x 70-9/16" (5 x 7,6 x 179,2 cm) | | |
| | <input type="checkbox"/> x2 <input type="text" value="DRA"/> 1 x 4 x 93-1/4" (2,5 x 7,6 x 236,9 cm) | | |
| DOOR | <input type="checkbox"/> x4 <input type="text" value="AH"/> 19/32" x 2-1/2" x 26-5/8" (1,5 x 6,3 x 67,6 cm) | | |
| | <input type="checkbox"/> x2 <input type="text" value="OO"/> 1-1/4 x 2-1/2 x 69" (3,2 x 6,3 x 175,3 cm) | | |
| | <input type="checkbox"/> x1 <input type="text" value="ZJ"/> 19/32" x 2-1/2" x 72" (1,5 x 6,3 x 182,9 cm) | | |

WALL PANEL & DOORS PARTS LIST



ROOF PANELS

Roof panels are 7/16" (1,1 cm) thick.



FASTENER/HARDWARE BAG (Shown Actual Size)

- x2 lbs.** 3" (7,6 cm)
- x4 lbs.** 2" (5,0 cm)
- x12** 2" (5,0 cm)
- x45** 3" (7,6 cm)
- x20** 2" (5,0 cm)
- x120** 1-1/4" (3,2 cm)
- x80** 3/4" (1,9 cm)

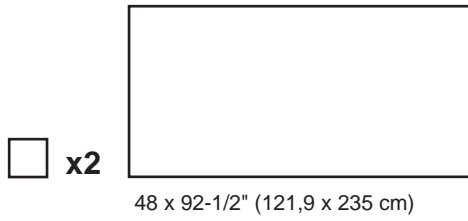
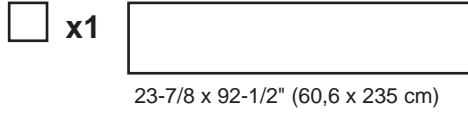
DOOR HARDWARE (Not Actual Size)

- x1**
- x2**
- x4**
- x2** 1-1/2" (3,8 cm)
- x8** 1" (2,5 cm)
- x12** 3/4" (1,9 cm)

FLOOR PANELS (Not Included)

You will need floor panels to complete your floor.
Floor panel sizes and quantities are shown below.

NOTE: Use a minimum of 5/8" (1,6 cm) oriented strand board (OSB).



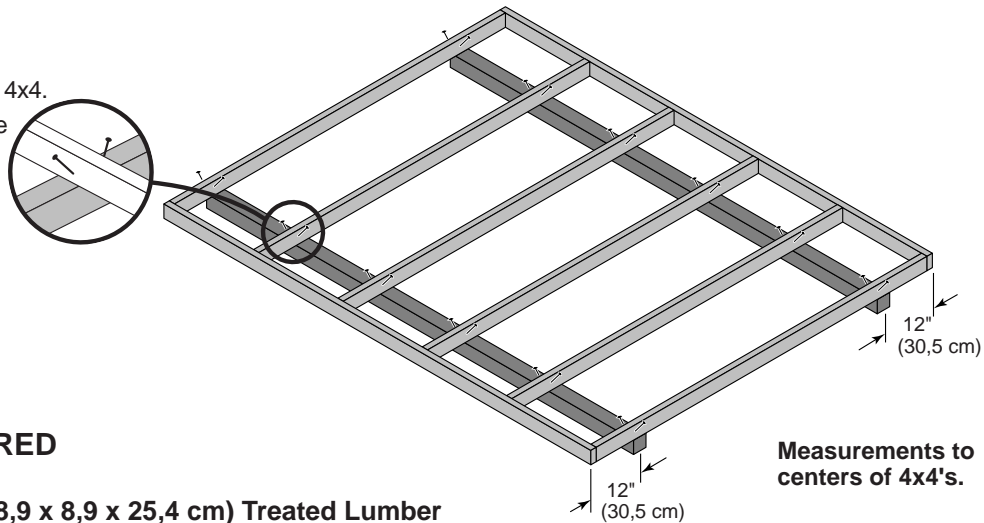
NOTES

FLOOR LEVELING OPTIONS

There are multiple ways to level your floor frame. Our recommended leveling method is shown below.
Leveling materials are not included in this kit.

PREFERRED METHOD - 4x4 TREATED RUNNERS

- 3" Screws angled into 4x4.
- (2) at each point frame and 4x4 touch.



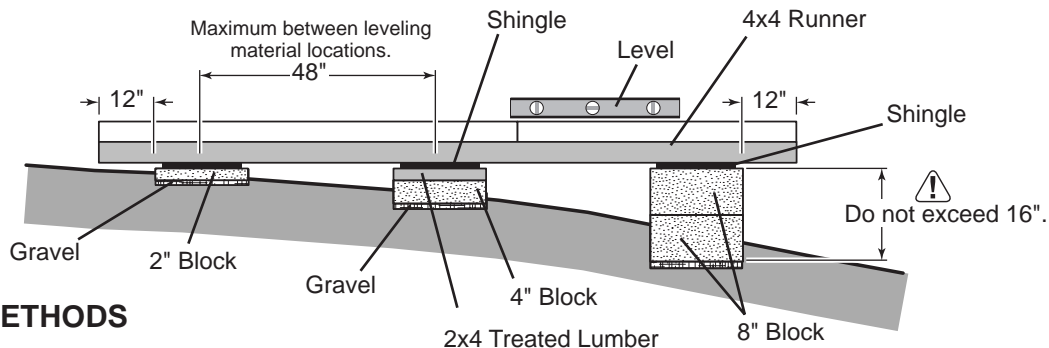
MATERIAL REQUIRED

x2 4 x 4 x 10' (8,9 x 8,9 x 25,4 cm) Treated Lumber

Fasteners for Frame to 4x4.
(3" Screws shown as one option.) Minimum (36) 3" screws / exterior grade.

! Use only wood treated for ground contact and fasteners approved for use with treated wood.

! Always support frame seams.



LEVELING METHODS

- Level under 4x4 runners only.
- Locate leveling material 12" from ends of runners and no more than 48" apart.
- Asphalt shingles should be used between 4x4 runners and blocks or treated lumber.
Never use shingles in direct contact with ground.
- For best results and aiding in water drainage use gravel under each concrete block.

LEVELING MATERIALS

- Gravel
- Solid Masonry Blocks in 1", 2", 4" or 8" thickness
- 2x4 Treated Lumber
- Asphalt Shingles

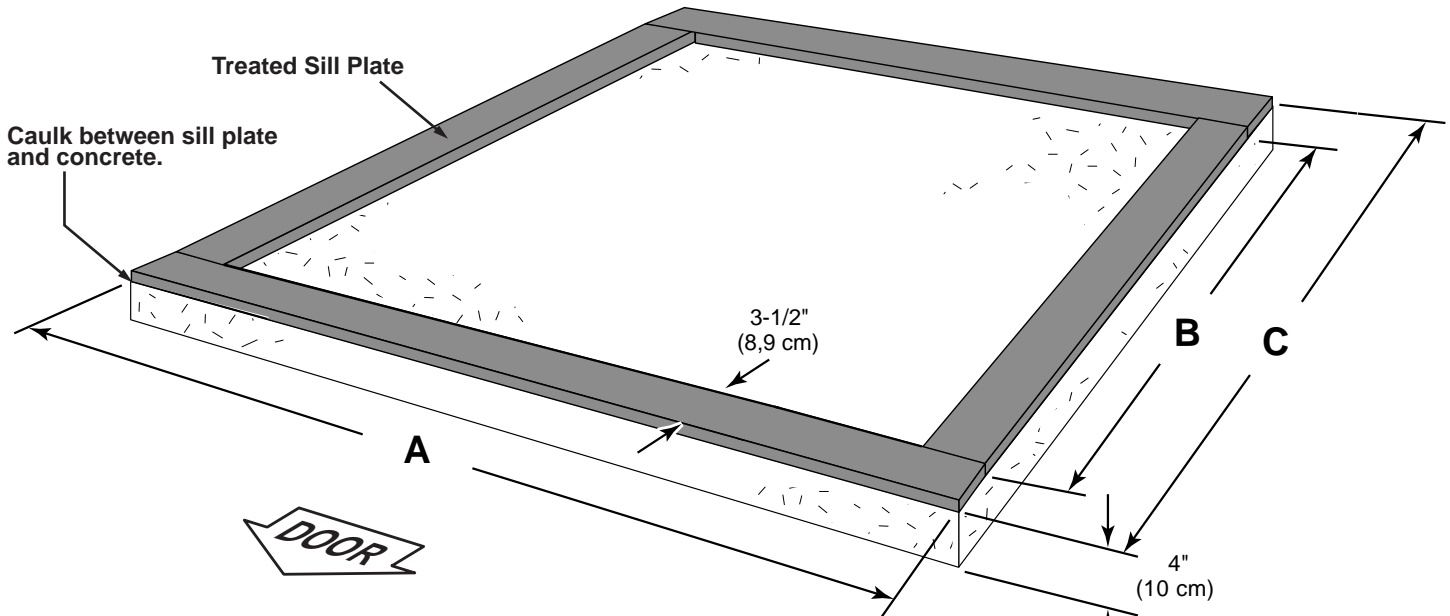
! Leveling higher than 16" not recommended.

CONCRETE

- If you are building your shed on a concrete foundation see the following page.

CONCRETE FOUNDATION

If you choose to install your kit on a concrete slab refer to the diagram below.



Building Size	Actual Floor Size	A	B	C
10'x 8' (305 x 244 cm)	10'x 7'-8-1/2" (305 x 235 cm)	120" (305 cm)	85-1/2" (217,2 cm)	92-1/2" (235 cm)

Requires:

- x2** 2 x 4 x 10' (5 x 10 x 305 cm) **MUST be treated lumber.**
- x2** 2 x 4 x 8' (5 x 10 x 244 cm) **MUST be treated lumber.**
- x1** **Caulk**

Allow new concrete slabs to cure for at least seven (7) days.

- A treated 2 x 4 (5 x 10 cm) sill plate is required when installing your shed on concrete. **Hint: Use treated lumber in your kit or purchase full length treated lumber.**
- Use a high quality exterior grade caulk beneath all sill plates.
- Fasten 2 x 4 (5 x 10 cm) sill plates to slab using approved concrete anchors (**fasteners not included**).
- Check local code for concrete foundation requirements.

NOTES

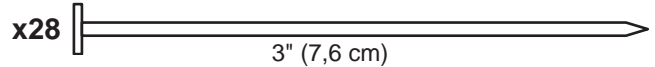
FLOOR FRAME

PARTS REQUIRED:

x2 TREATED 2 x 4 x 48" (5 x 10 x 122 cm)

x2 TREATED 2 x 4 x 72" (5 x 10 x 183 cm)

x6 TREATED 2 x 4 x 89-1/2" (5 x 10 x 227 cm)

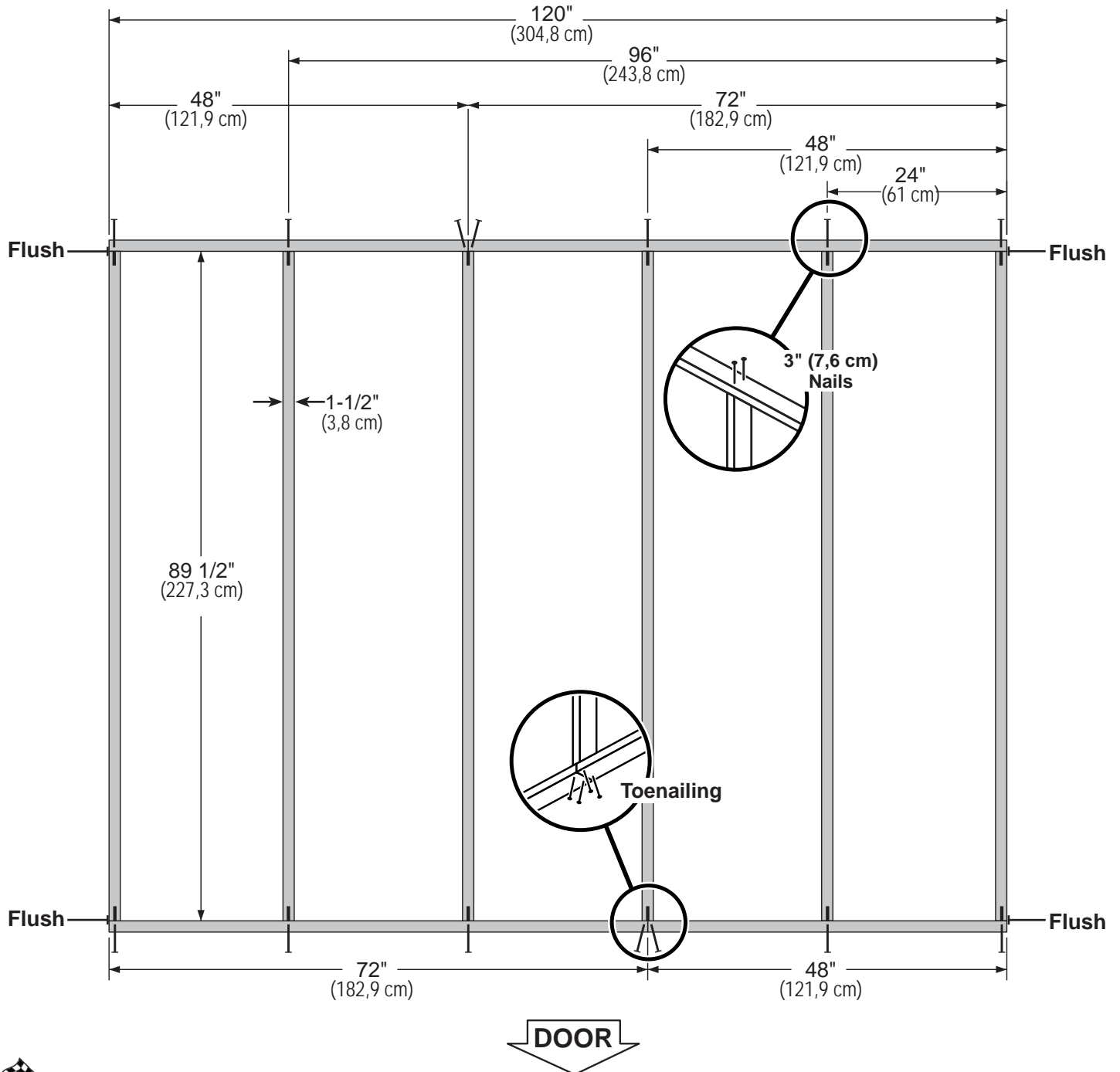
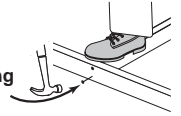


✓ BEGIN

- 1 Orient parts as shown on flat surface. Measure and mark.
Secure using (2) 3" nails at each mark. Use (4) 3" nails at seams.



HINT:
For easier nailing
stand on frame.



Your floor frame is now assembled. Proceed to level and square frame.

STOP!



LEVEL AND SQUARE FLOOR FRAME

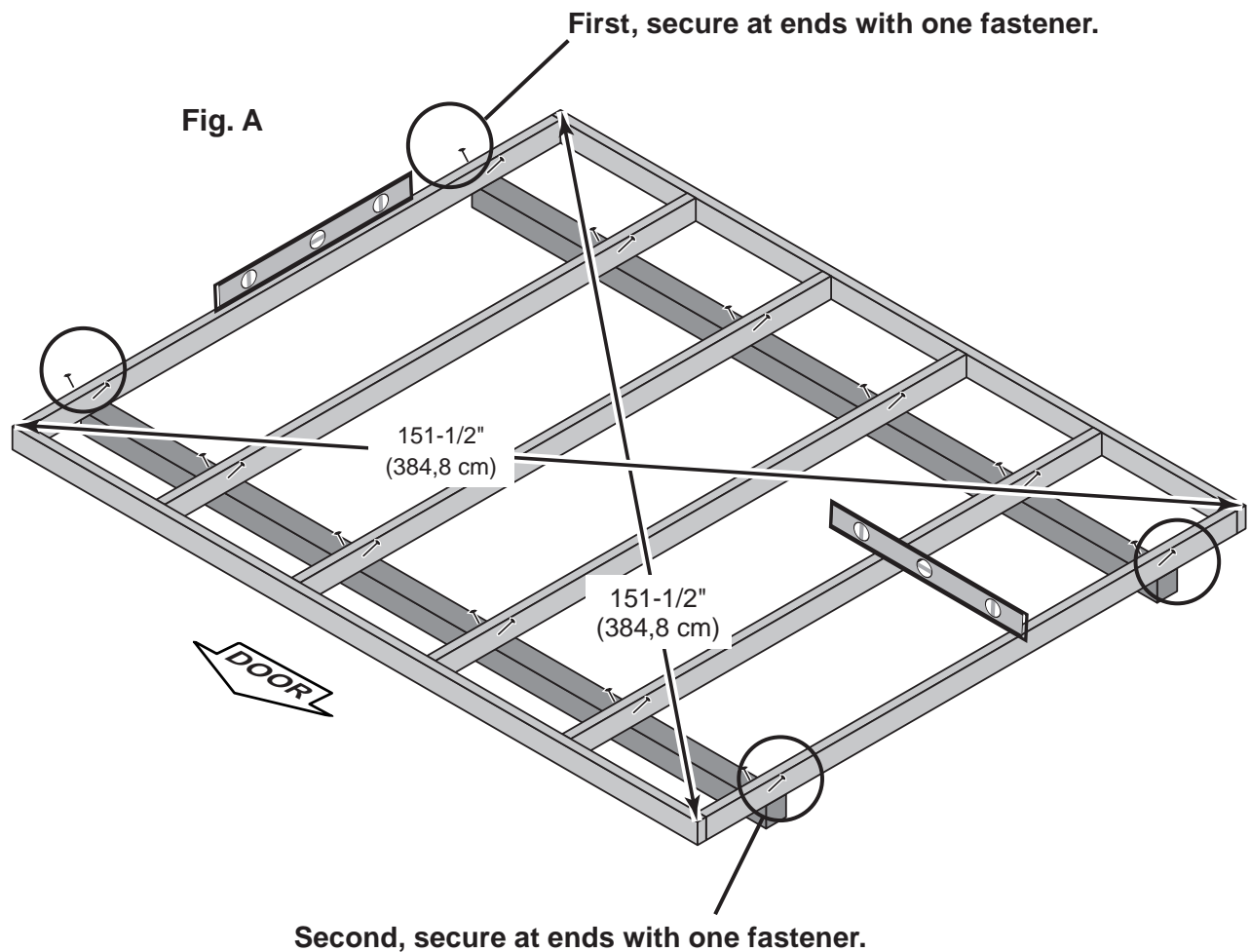


STOP!

Before attaching floor decking, it is important to level and square the floor frame. A level and square floor frame is required to correctly construct your shed.

✓ **BEGIN**

- 1 See page 7 for the preferred floor leveling method.
- 2 Use level and check the frame is level before applying floor panels.
- 3 Check for frame squareness by measuring diagonally across corners. If the measurements are the same, the frame is square. The diagonal measurement will be approximately 151-1/2" (384,8 cm).
- 4 When the frame is level and square secure one side of frame to the 4x4 runners using one fastener at ends of each runner. Move to the opposite end of the frame. Secure the frame to 4x4 runners with one fastener at ends of each runner making sure the frame remains square (**Fig. A**).

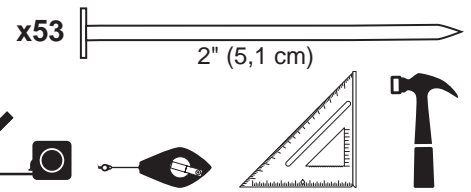
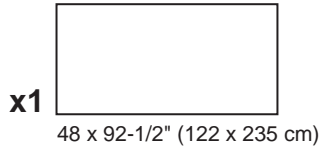


FINISH

Once the floor frame is level and square, fasten the frame to the 4x4 runners at each connection.

FLOOR PANELS

PARTS REQUIRED:



Ensure your floor frame is square by installing one panel and squaring the frame.
Install panels with rough side up (painted grid lines).

✓ BEGIN

1 Attach the 48" x 92-1/2" panel with the 48" edge and corner flush to the floor frame (**Fig A**).

Secure panel using (2) 2" nails in the corners.

2 Move to the opposite side. Using the long edge of the panel as a lever, move the panel side-to-side until the top corner is flush to the floor frame (**Fig. B**).

Maintain the 3/4" measurement along the left edge.

Secure panel using (2) 2" nails in the corners.

Continue securing the panel using 2" nails 6" apart on edges and 12" apart inside panel.

Fig. A

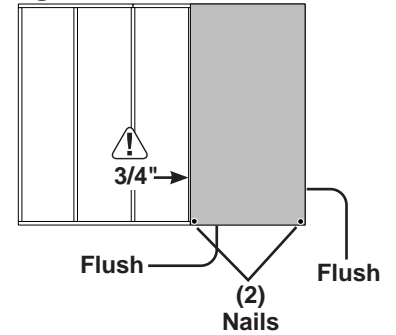
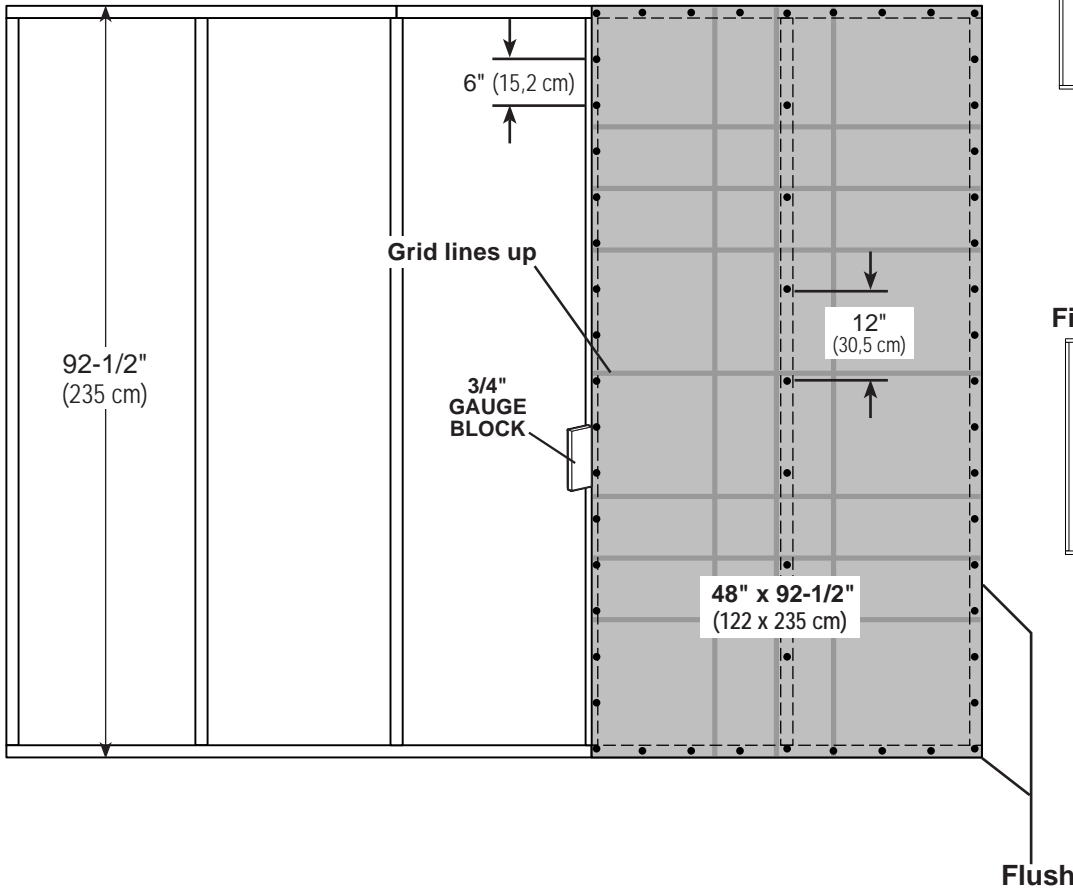
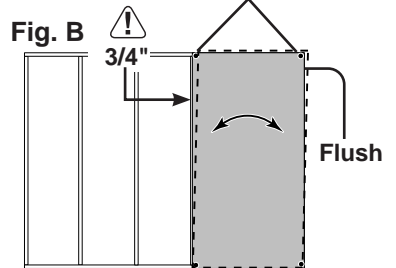




Fig. B



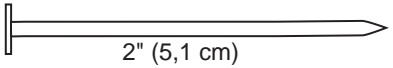
FLOOR PANELS

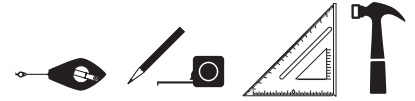
PARTS REQUIRED:

x1 
 5/8 x 48 x 92-1/2"
 (1,6 x 121,9 x 235 cm)

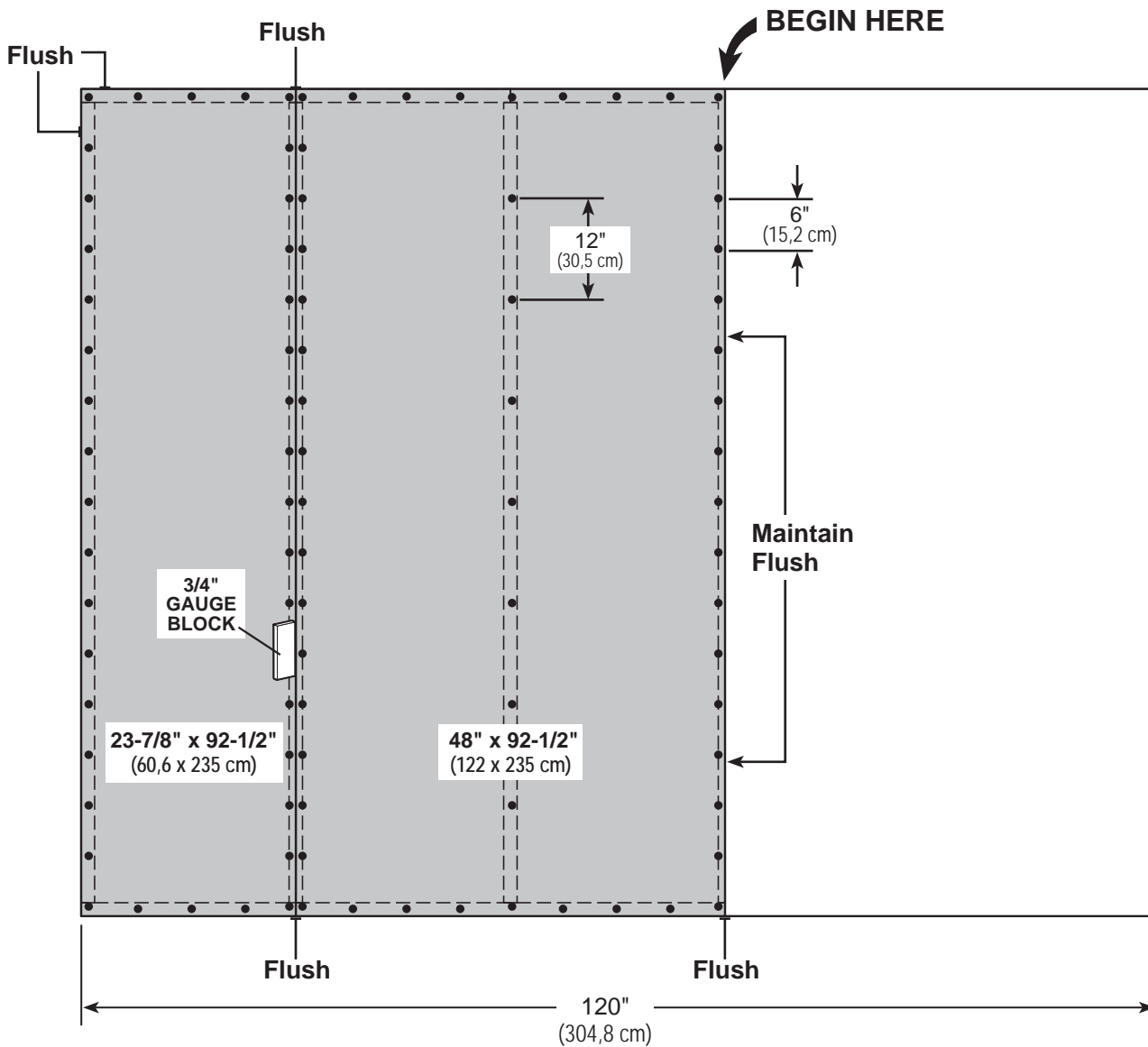
x1 
 5/8 x 23-7/8 x 92-1/2"
 (1,6 x 60,6 x 235 cm)


 3/4" GAUGE
 BLOCK

x100 
 2" (5,1 cm)



- Continue installing panels flush to installed panel and along edges as shown. Use the Gauge Block to maintain the 3/4" measurement. Secure panels using 2" nails 6" apart on edges, and 12" apart inside panels.

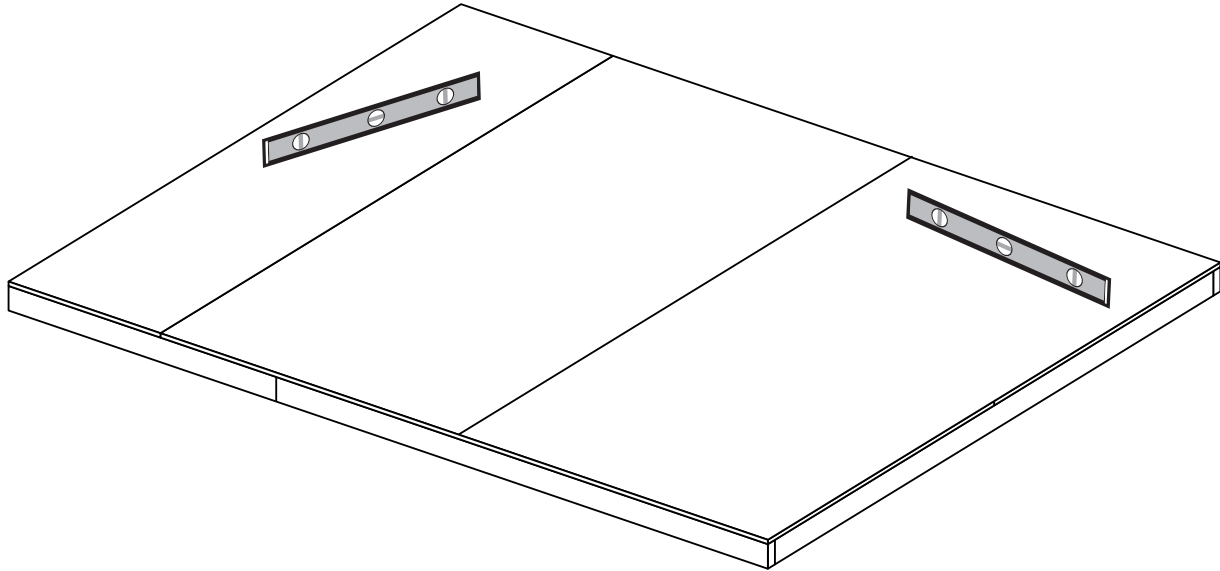


Your floor panels are now installed.

IMPORTANT!

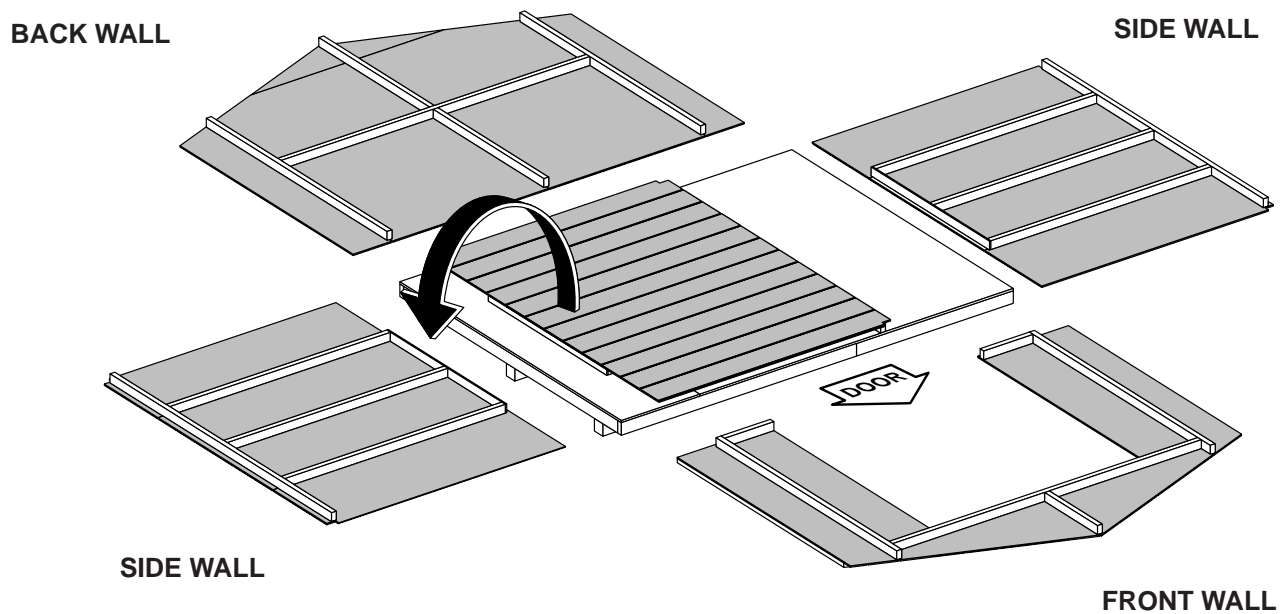
STOP!

Check that the floor frame is level after installing floor panels.
Re-level if needed.



• The floor should be used as a stable work surface for wall construction.

HINT: • Organize your assembly procedure during the build process to avoid over-handling of the walls.



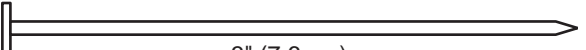
BACK WALL FRAME

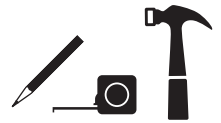
PARTS REQUIRED:

x1 **PR**
2 x 3 x 94-1/2" (5 x 7,6 x 240 cm)

x2 **ATB**
2 x 3 x 75-1/2" (5 x 7,6 x 191,8 cm)

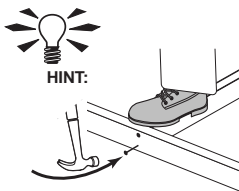
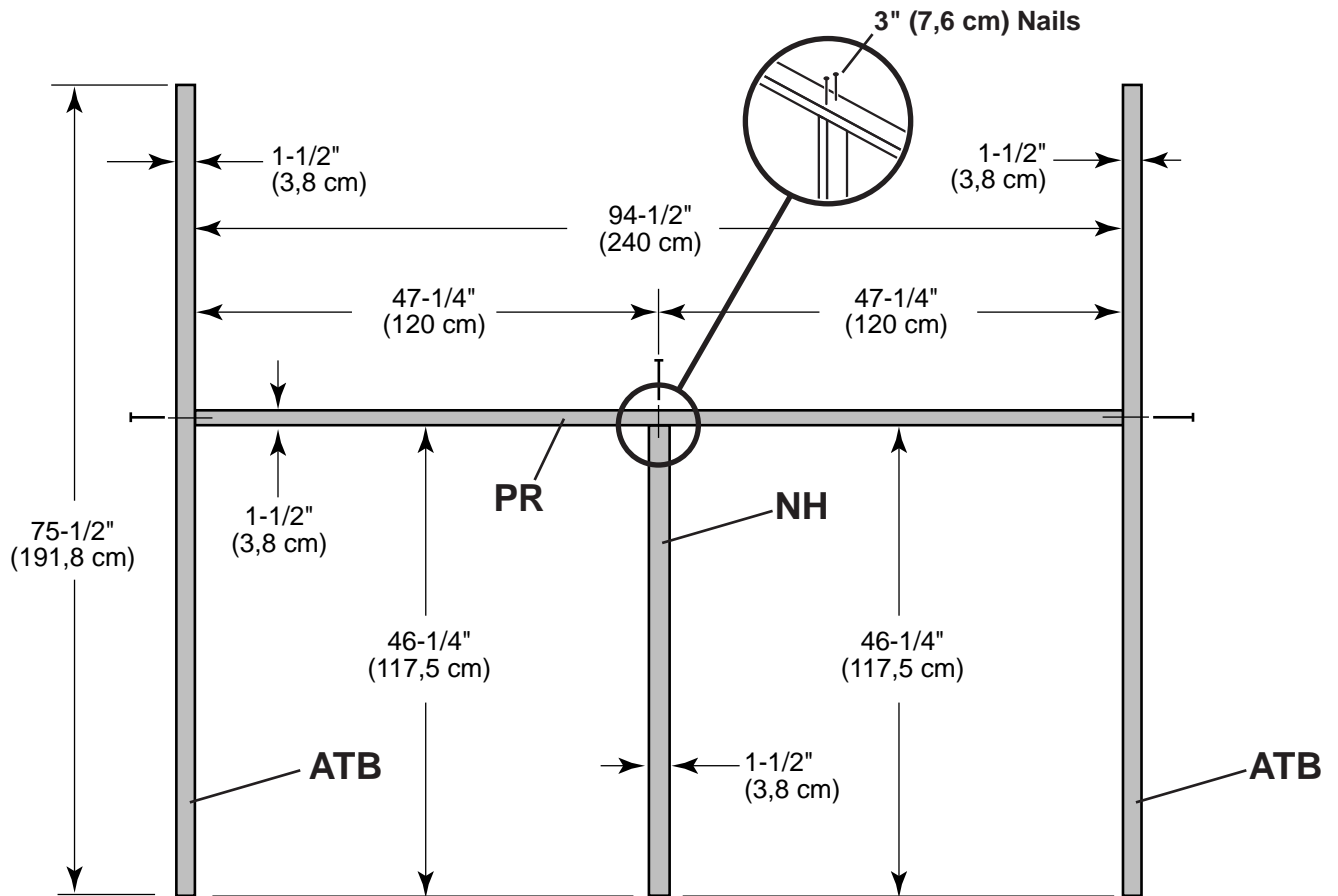
x1 **NH**
2 x 3 x 46-1/4" (5 x 7,6 x 117,5 cm)

x6  3" (7,6 cm)



✓ **BEGIN**


- 1 Orient parts on edge on floor as shown. Measure and mark at each connection. Secure using (2) 3" nails at each connection.

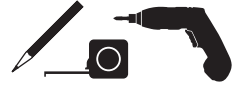


BACK WALL FRAME

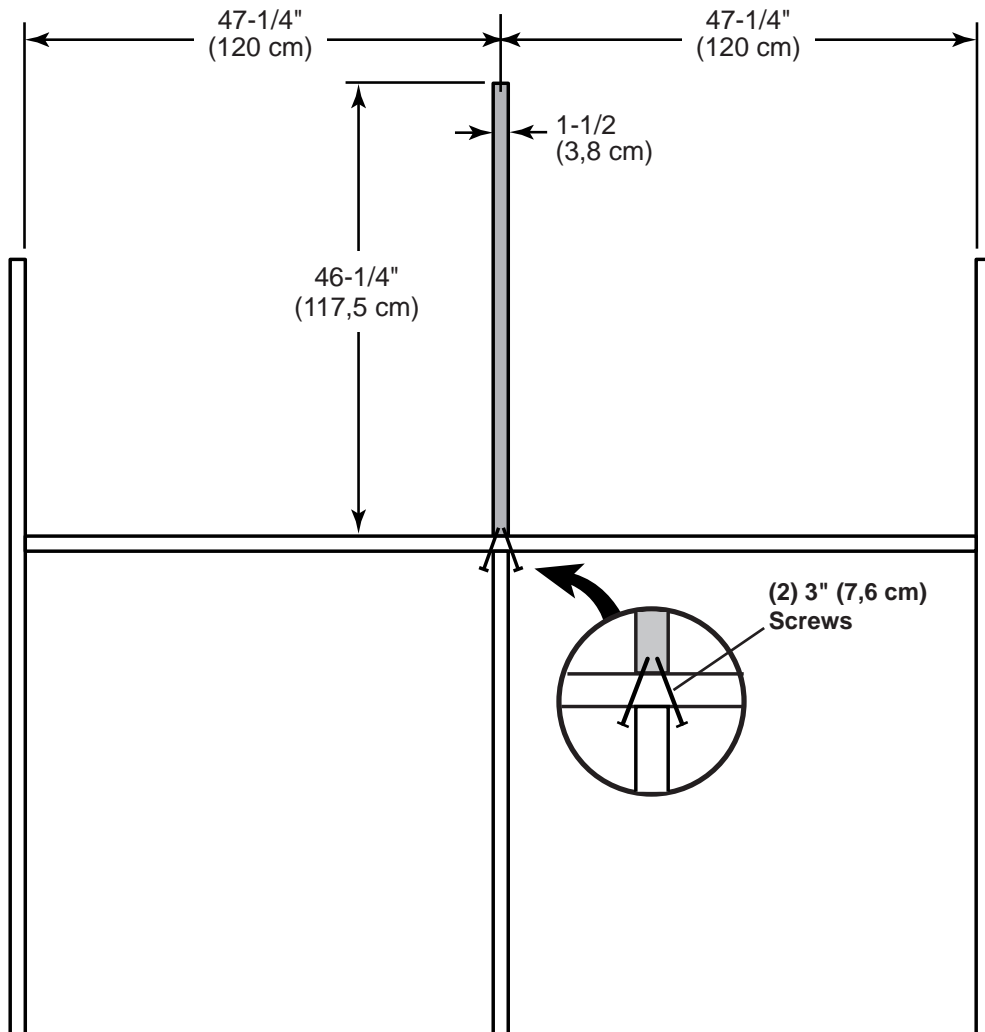
PARTS REQUIRED:

x1 **NH**
2 x 3 x 46-1/4" (5 x 7,6 x 117,5 cm)

x2 
3" (7,6 cm)



- 2 Place **NH** on edge as shown.
Secure using (2) 3" screws at middle connection.



Your back wall frame is assembled.

BACK WALL PANELS

PARTS REQUIRED:

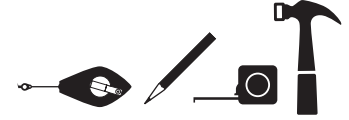
GAA
3/4" GAUGE
BLOCK

x1



3/8 x 48 x 84"
(1 x 122 x 213,4 cm)

x32 2" (5 cm)



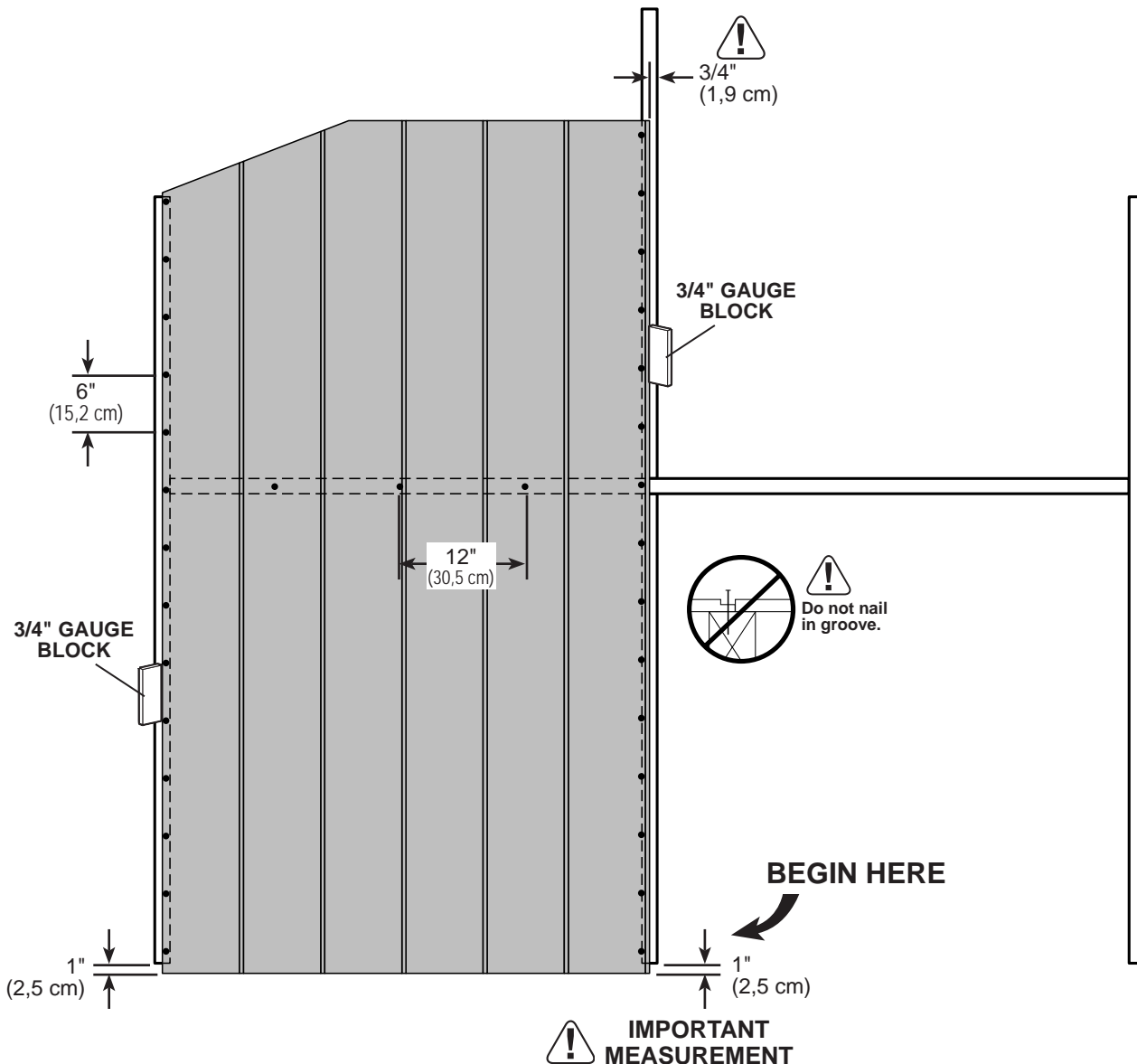
! All wall panels are installed primed side facing out.

✓ **BEGIN**

1 Place left 48" x 84" panel on back wall frame.

Maintain 1" measurement at bottom edge of panel and 3/4" measurement along panel edges.

Secure panel using 2" nails 6" apart on edges and 12" apart inside panel.



BACK WALL PANELS

PARTS REQUIRED:

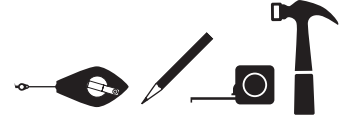
GAA
3/4" GAUGE
BLOCK

x1

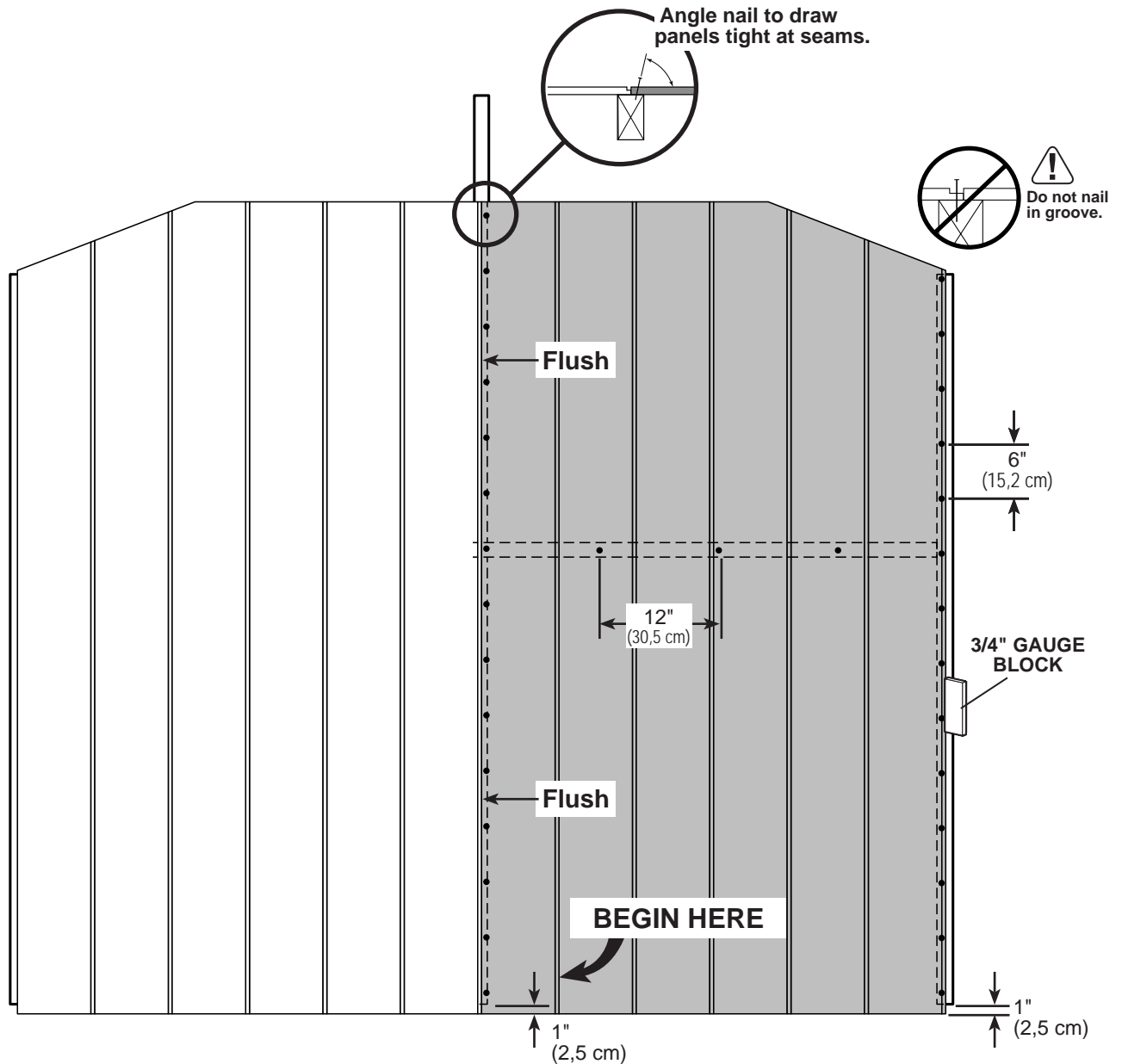


3/8 x 48 x 84"
(1 x 122 x 213,4 cm)

x32 2" (5 cm)

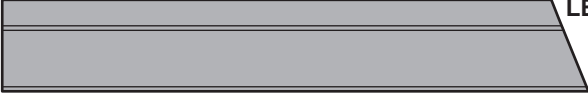
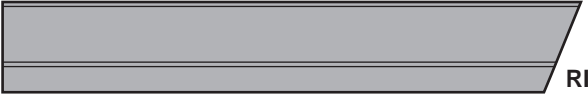
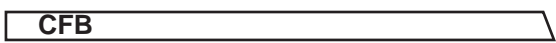


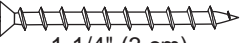
- Place right 48" x 84" panel on back wall frame. Maintain 1" measurement at bottom edge of panel and 3/4" measurement along panel edges. Secure panel using 2" nails 6" apart on edges and 12" apart inside panel.



BACK WALL PANELS

PARTS REQUIRED:

- x2  LEFT
- x2  RIGHT
- x4 **CFB**  2 x 3 x 70-9/16" (5 x 7,6 x 179,2 cm)

x32  1-1/4" (3 cm)

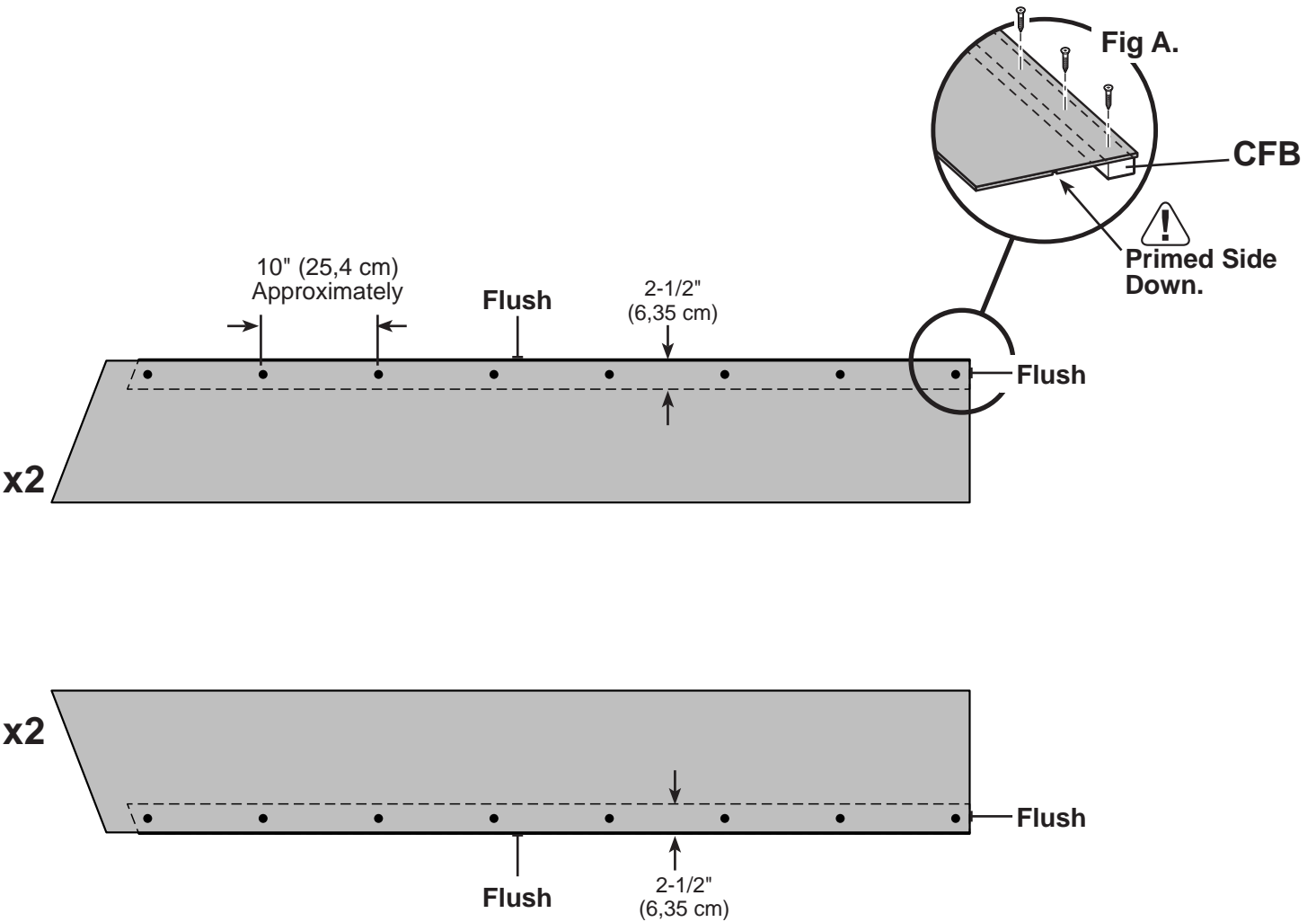


Assemble **TWO RIGHT** and **TWO LEFT** wing walls.

✓ **BEGIN**

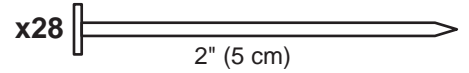
1 Place a wing wall panel primed side down on top of **CFB** (Fig. A).
 Flush edge of panel along edge and bottom corner of **CFB**.
 Secure panel to trim **CFB** using eight 1-1/4" screws 10" apart.

2 Follow STEP - 1 to make (3) more wing wall panels.

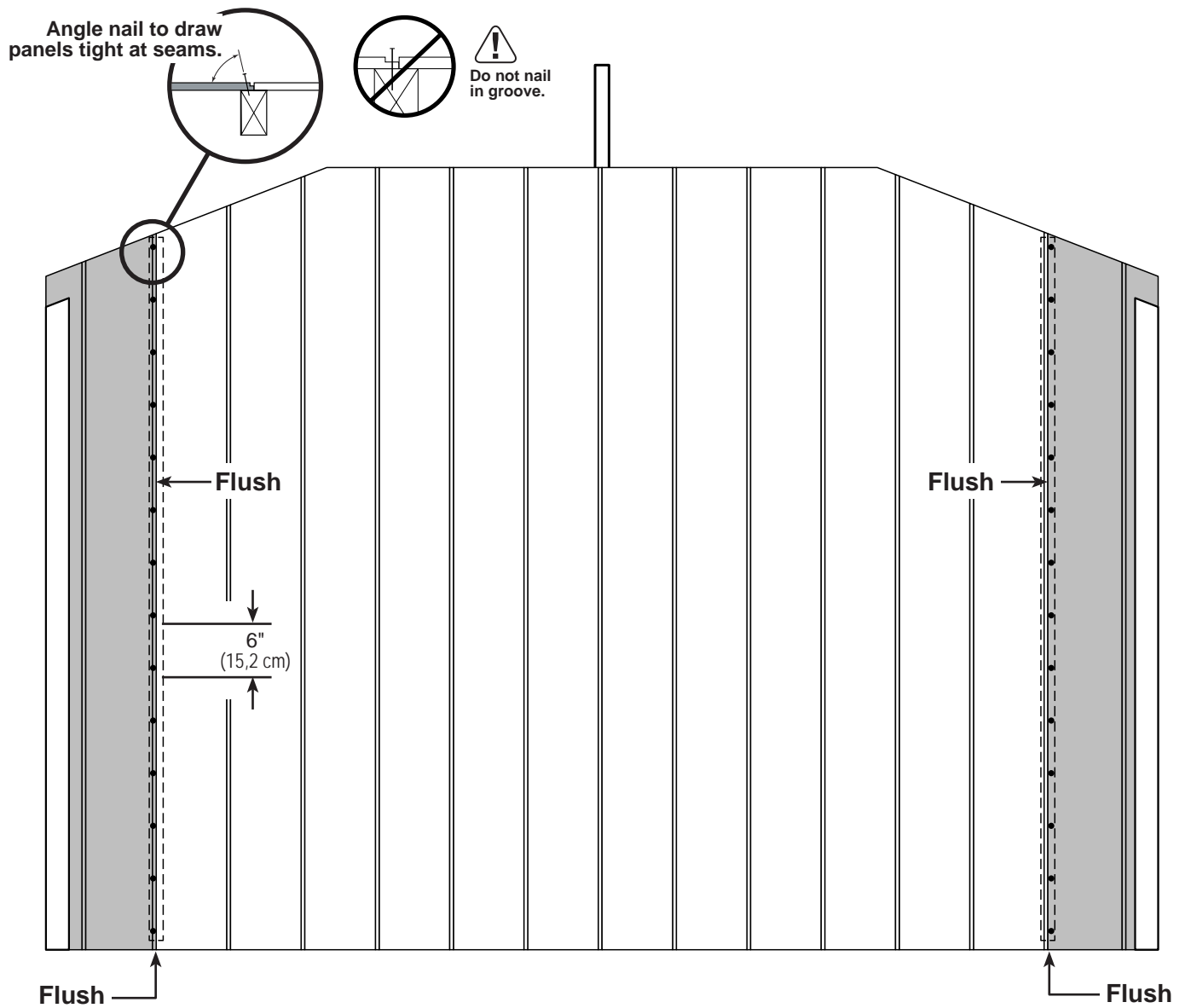


BACK WALL PANELS

PARTS REQUIRED:

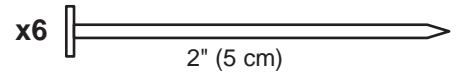
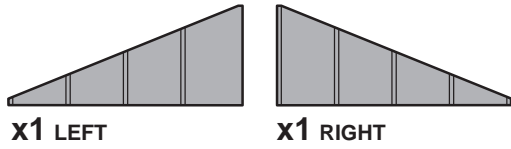


- 3 Place wing wall assemblies onto frame flush along the edge and flush to bottom of installed panels. Secure assemblies to frame using 2" nails 6" apart.



BACK WALL PANELS

PARTS REQUIRED:

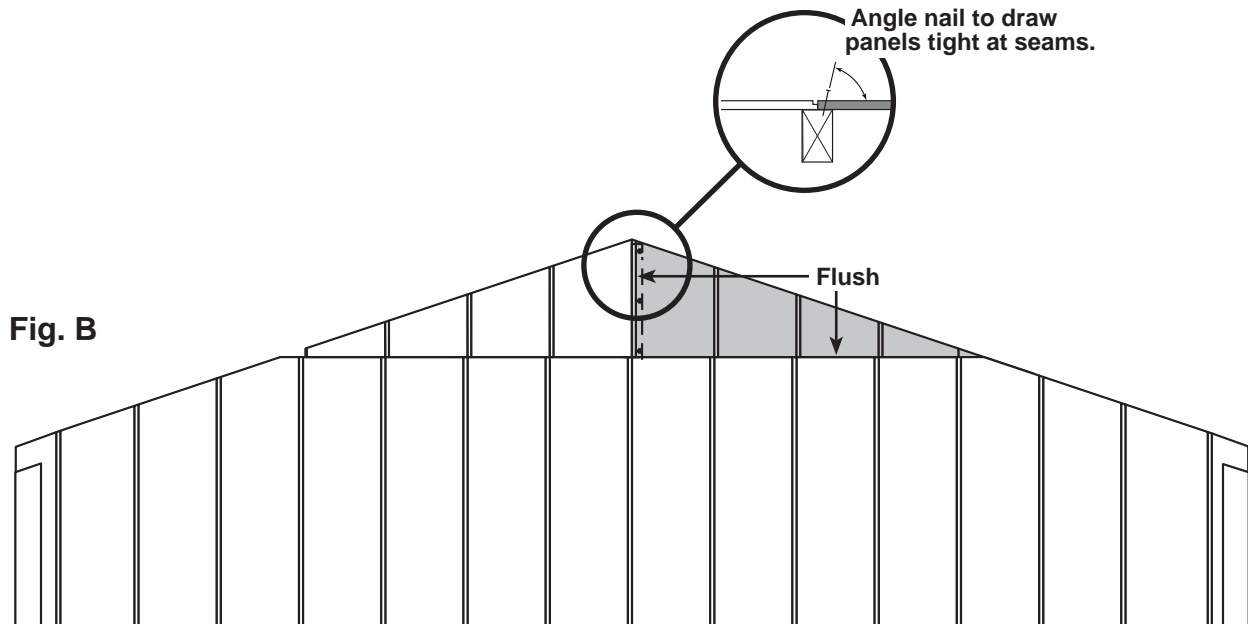
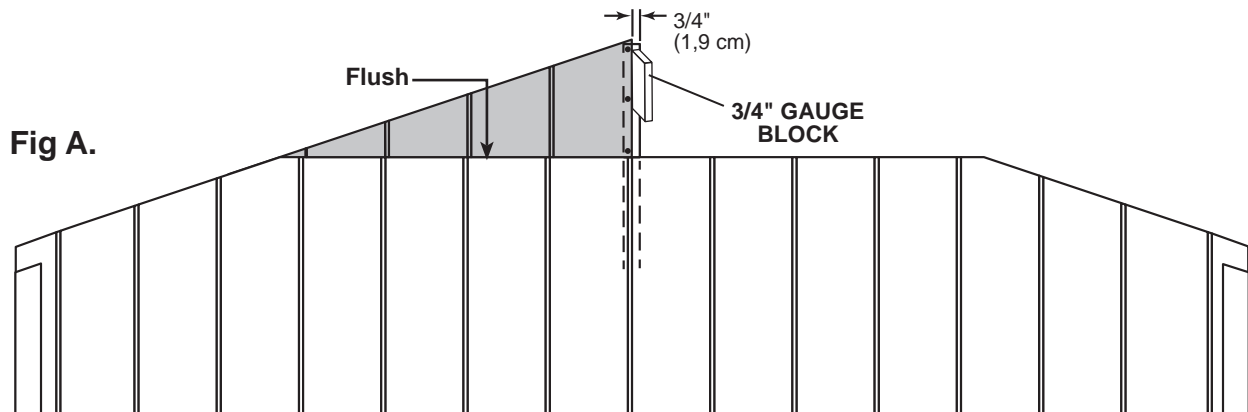


4 Place left and right gable panels on gable support, flush to top of wall panel.

Maintain 3/4" measurement (**Fig. A, Fig. B**).

NOTE: Panel grooves will not align.

Secure panel using (3) 2" nails as shown

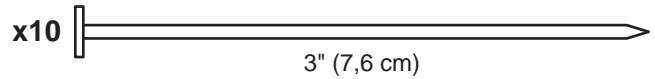


Your back wall is now assembled.

FRONT WALL FRAME

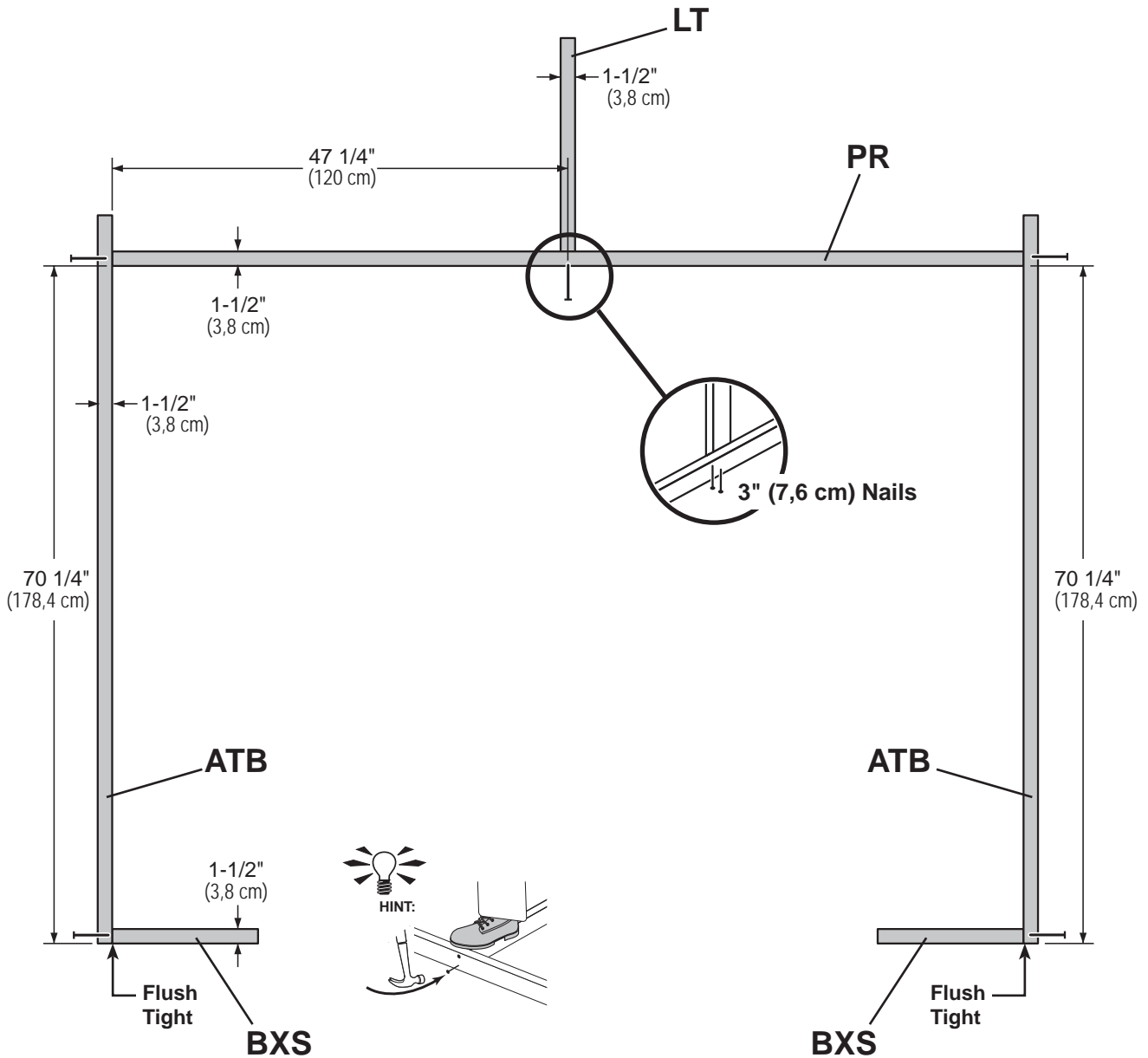
PARTS REQUIRED:

- x2 **BXS**
2 x 3 x 15-1/8" (5 x 7,6 x 38,4 cm)
- x1 **LT**
2 x 3 x 22-1/8" (5 x 7,6 x 56 cm)
- x2 **ATB**
2 x 3 x 75-1/2" (5 x 7,6 x 191,8 cm)
- x1 **PR**
2 x 3 x 94-1/2" (5 x 7,6 x 240 cm)



✓ BEGIN

- 1 Orient parts on edge on floor as shown. Measure and mark center at each connection. Secure using (2) 3" nails at each connection.

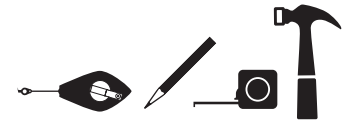
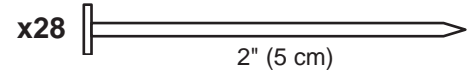
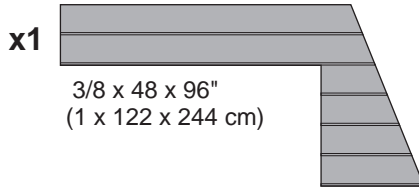


FINISH

Your front wall frame is assembled.

FRONT WALL PANELS

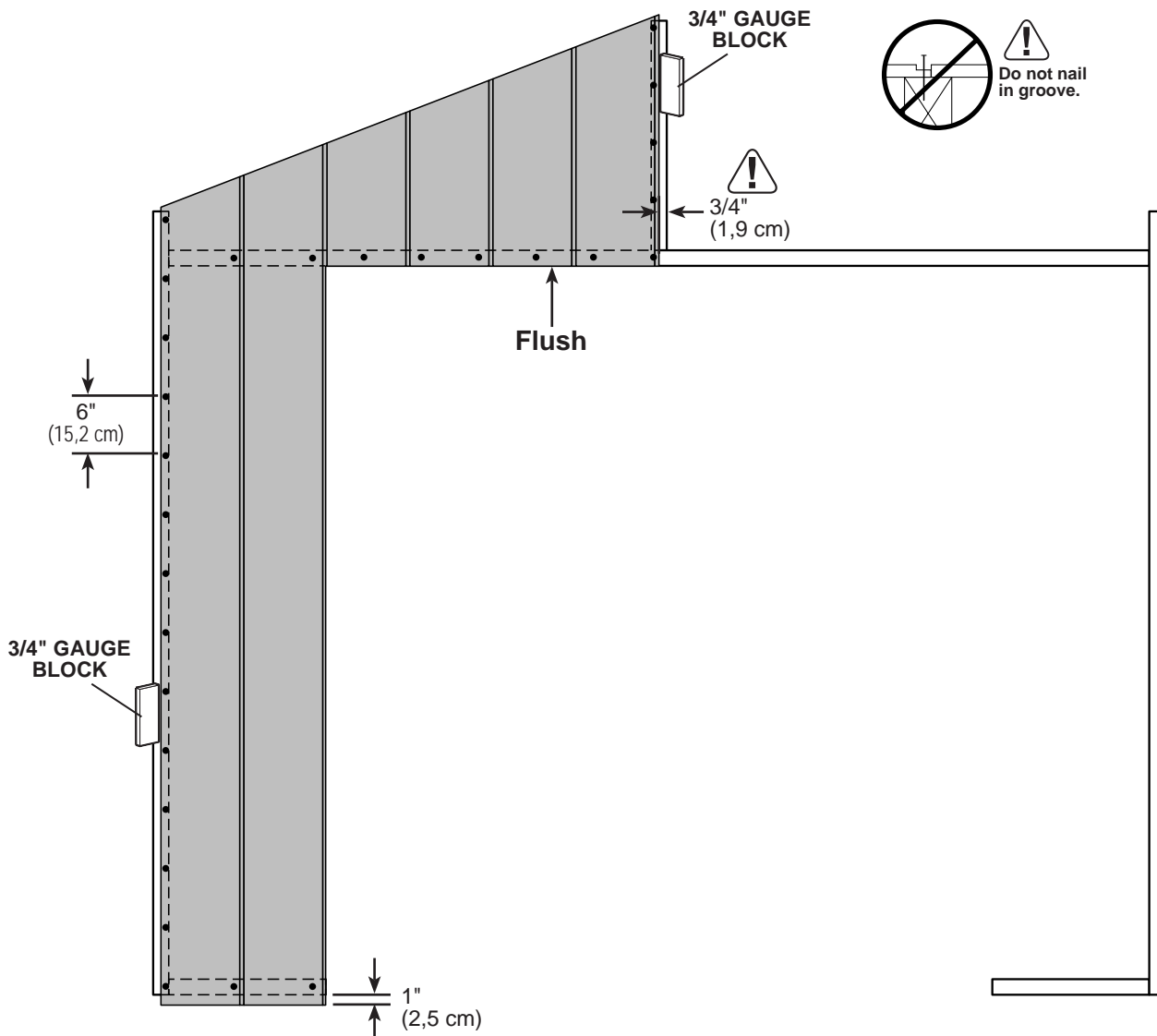
PARTS REQUIRED:



✓ **BEGIN**

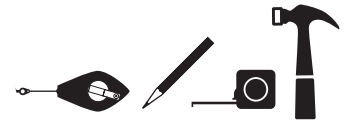
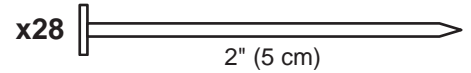
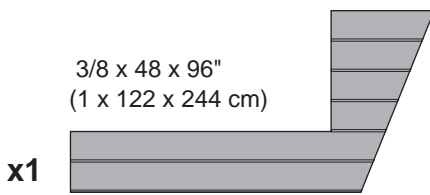
! All wall panels are installed primed side facing out.

- 1** Place left 48" x 96" panel on front wall frame.
Maintain 1" measurement at bottom edge of panel and 3/4" measurement along panel edges.
Secure panel using 2" nails 6" apart on edges and 12" apart inside panel.

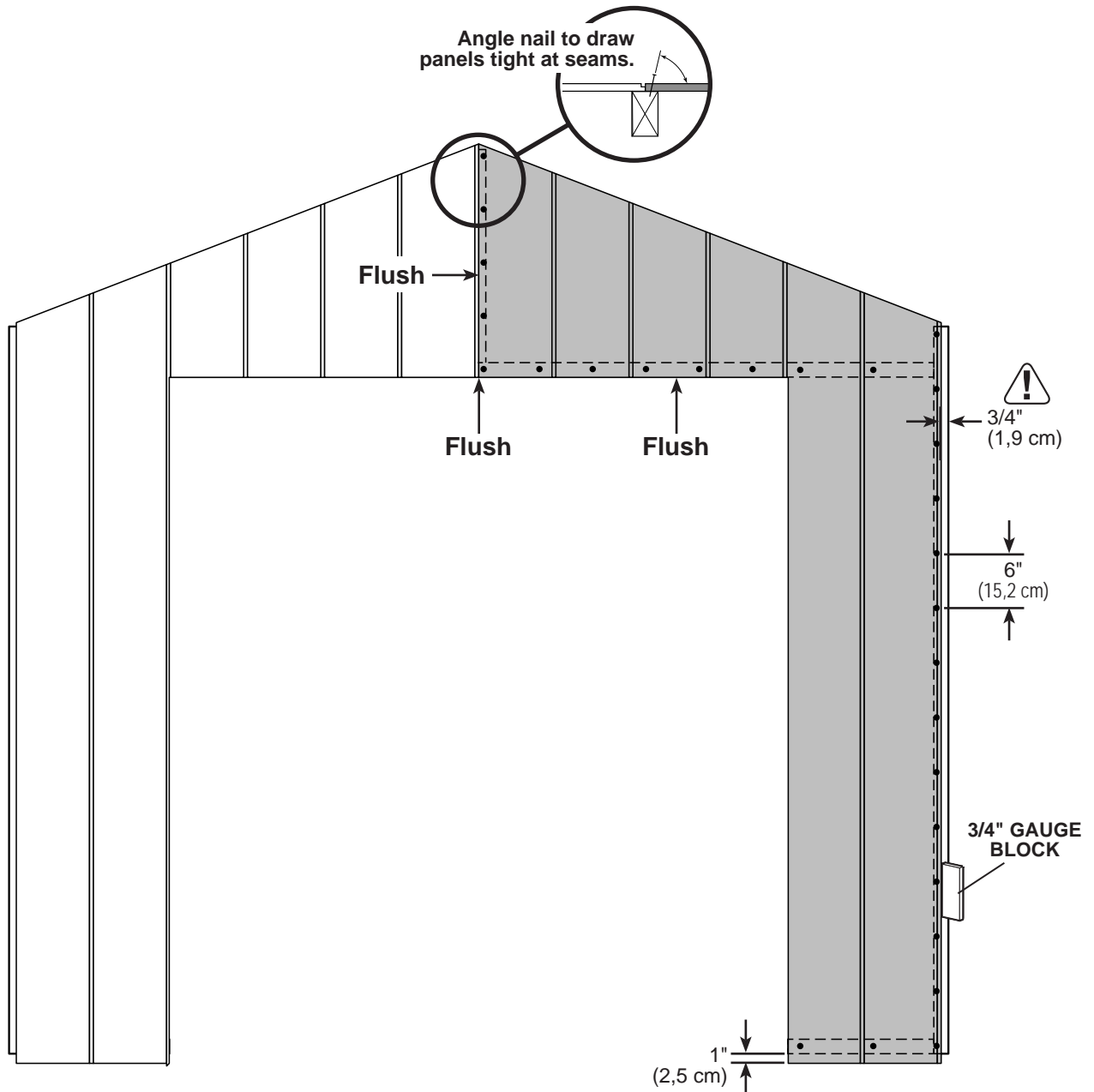


FRONT WALL PANELS

PARTS REQUIRED:



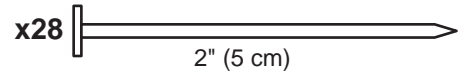
- Place right 48" x 96" panel on front wall frame. Maintain 1" measurement at bottom edge of panel and 3/4" measurement along panel edges. Secure panel using 2" nails 6" apart on edges and 12" apart inside panel.



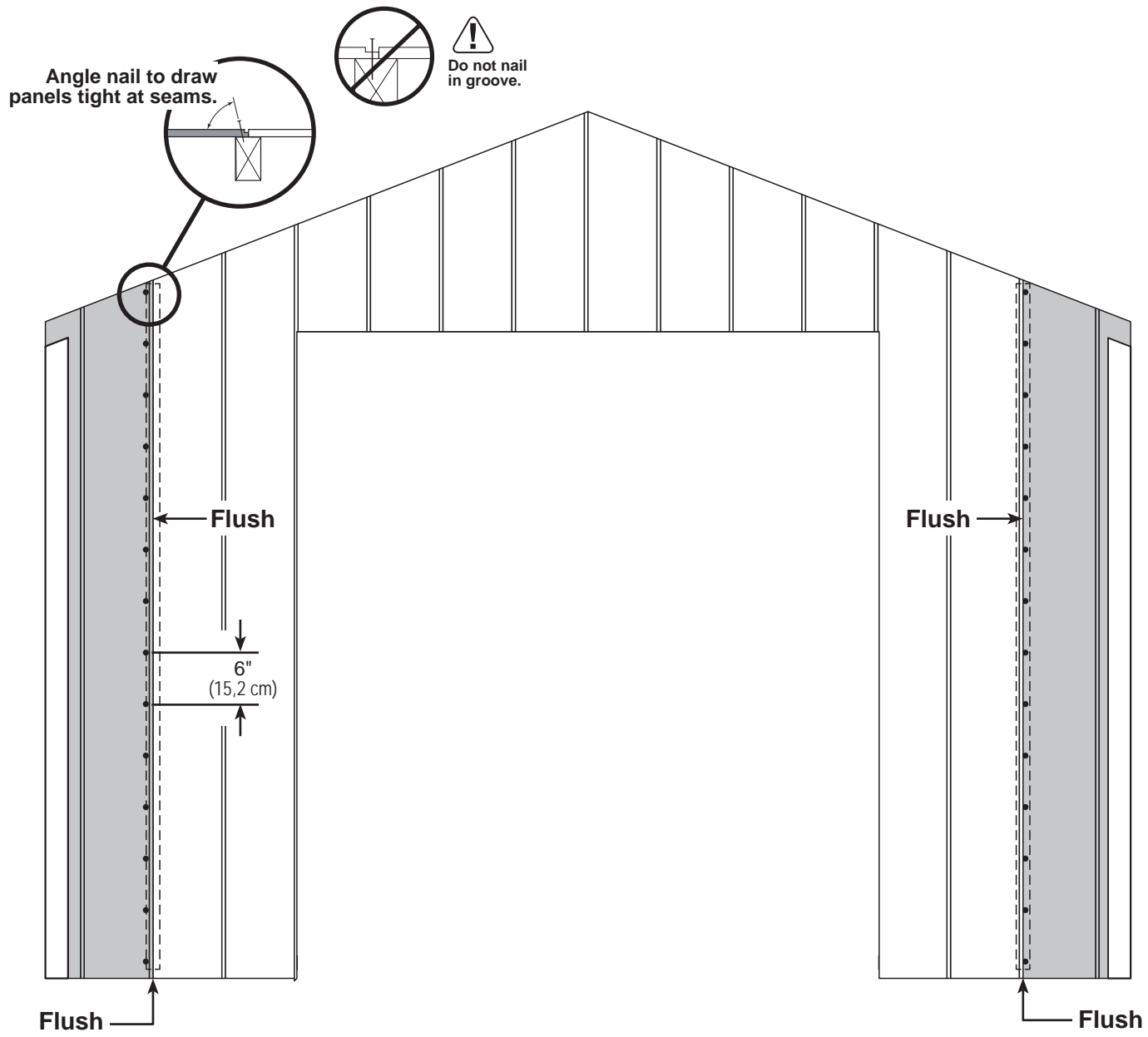
FRONT WALL PANELS

PARTS REQUIRED:

- x1  Pre-assembled **LEFT**
- x1  Pre-assembled **RIGHT**



3 Place wing wall assemblies onto frame flush along the edge and flush to bottom of installed panels. Secure assemblies to frame using 2" nails 6" apart.



Your front wall is now assembled.

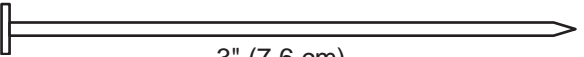
SIDE WALL FRAMES

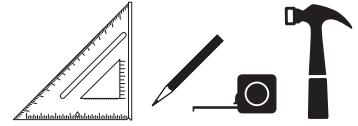
PARTS REQUIRED:

x6 **BPB**
2 x 3 x 67-9/16" (5 x 7,6 x 171,6 cm)

x2 **OSB**
7/16 x 2-1/2 x 49-1/2" (1,1 x 6,3 x 187 cm)

x2 **PNA**
2 x 3 x 92-1/2" (5 x 7,6 x 235 cm)

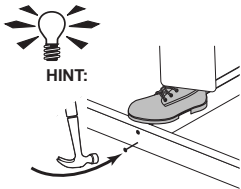
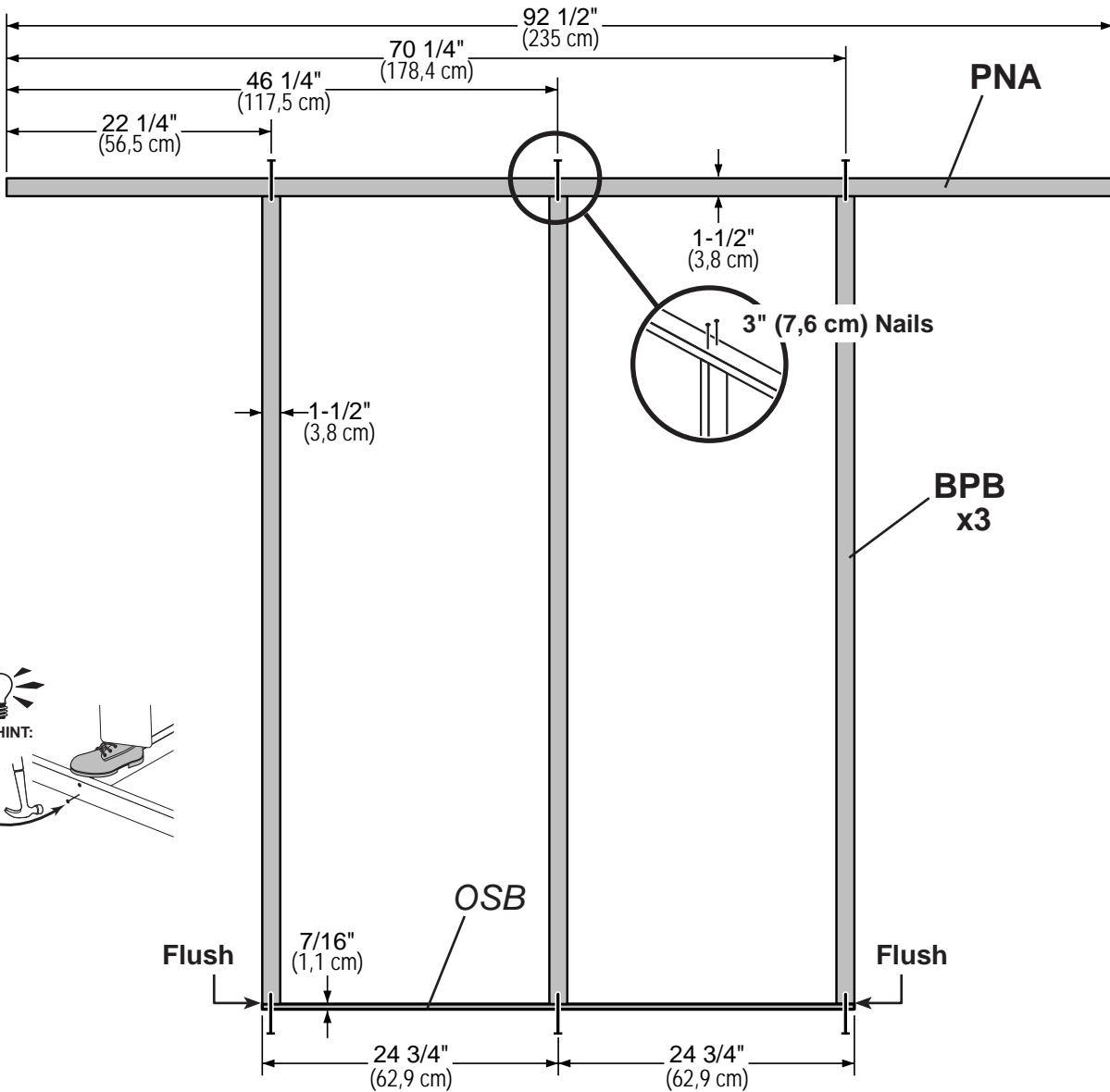
x24  3" (7,6 cm)



ASSEMBLE TWO IDENTICAL SIDE WALLS.

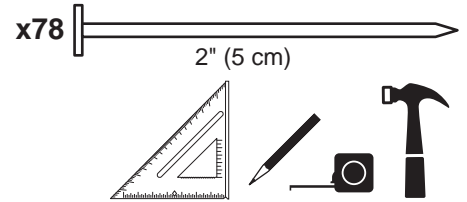
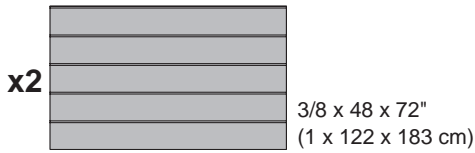
✓ **BEGIN**

- 1 Orient parts on edge on floor as shown. Measure and mark center at each connection. Secure using (2) 3" nails at each connection.



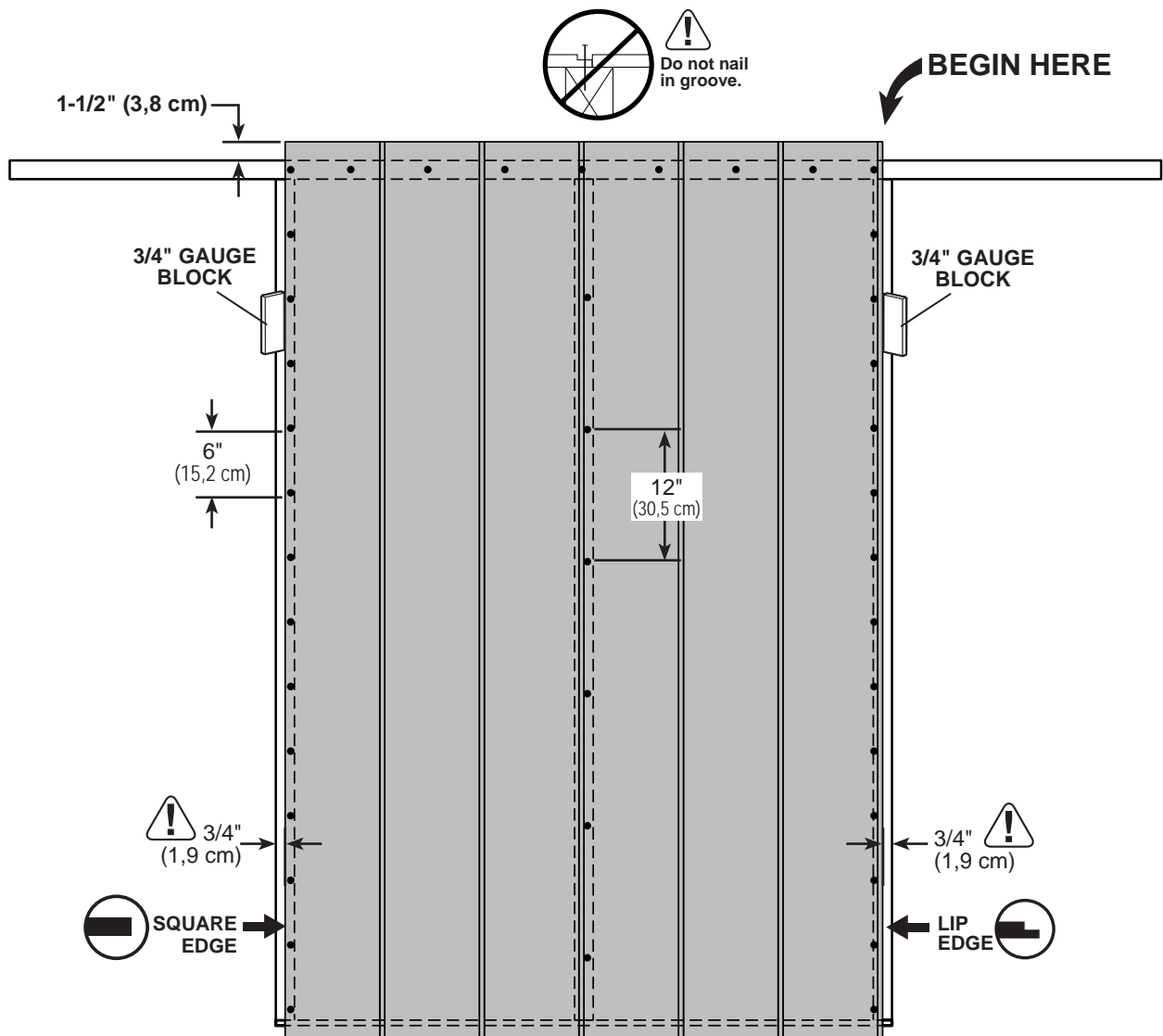
SIDE WALL PANELS

PARTS REQUIRED:



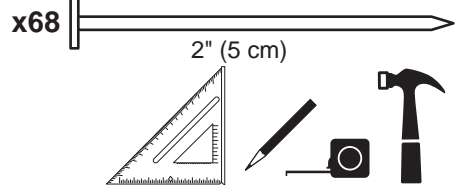
! All wall panels are installed primed side facing out.

- Place 48" x 72" panel on side wall frame. **NOTE THE SQUARE AND LIP EDGES.** Maintain 1-1/2" measurement at top edge of panel and 3/4" measurement along panel edges. Secure panel using 2" nails 6" apart on edges and 12" apart inside panel.



SIDE WALL PANELS

PARTS REQUIRED:



x2 LEFT



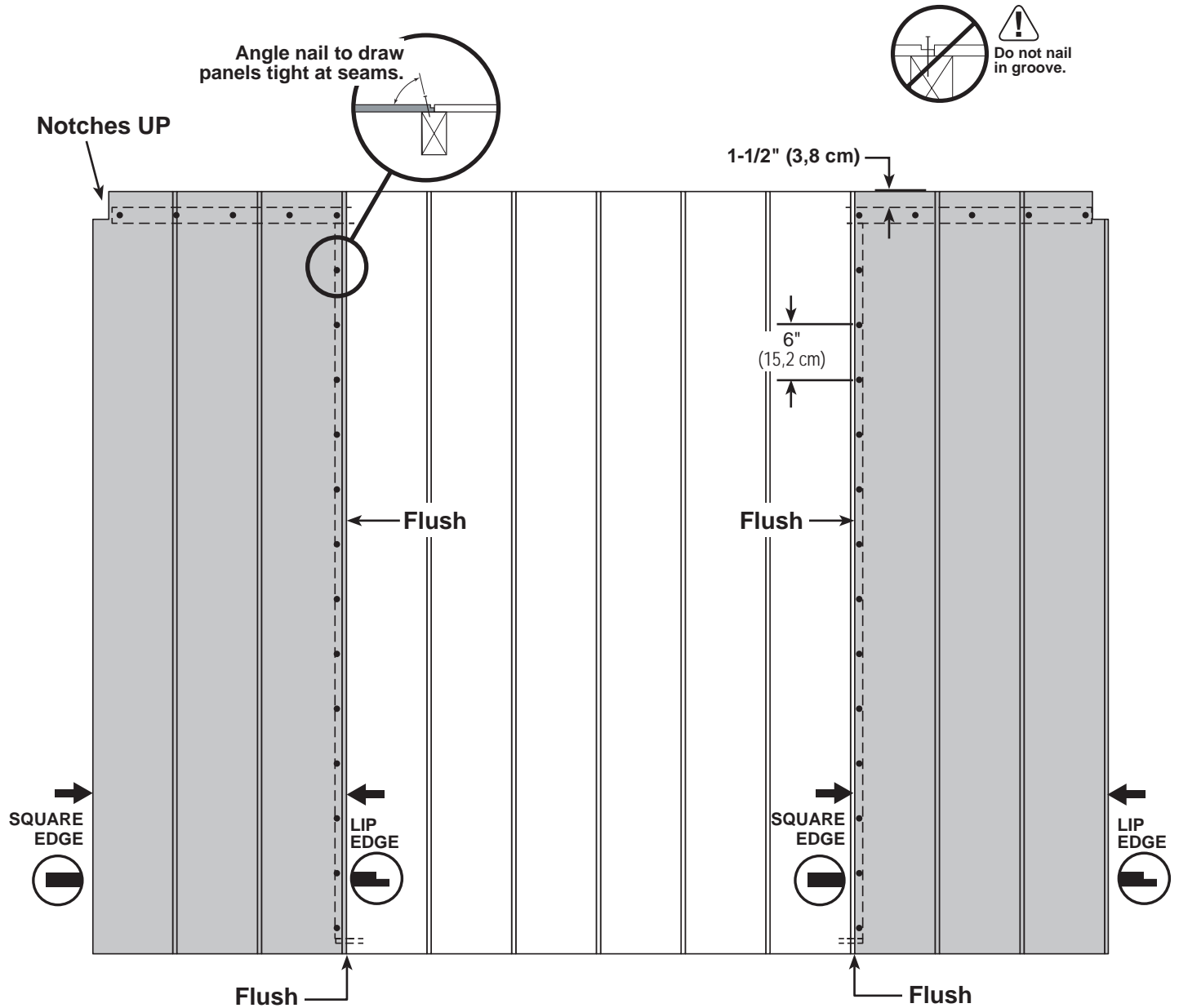
3/8 x 23-7/8 x 72"
(1 x 61 x 183 cm)

RIGHT x2



3/8 x 23-7/8 x 72"
(1 x 61 x 183 cm)

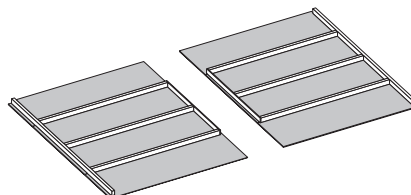
- 3** Place **23-7/8"** panels on frame as shown. **NOTE THE SQUARE AND LIP EDGES.**
Secure using 2" nails 6" apart on edges.



Repeat STEPS 1 - 3 to build 2nd wall.



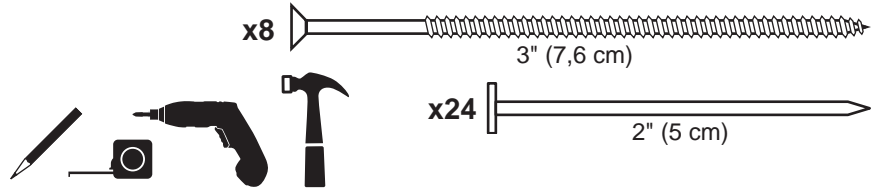
Your side walls are now assembled.



BACK WALL INSTALLATION

PARTS REQUIRED

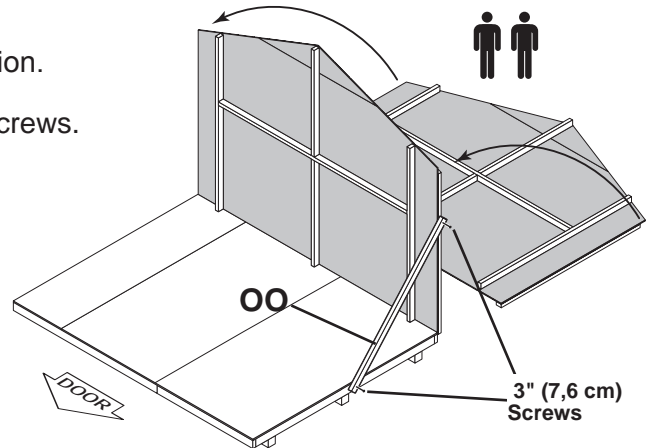
x1 **OO**
1-1/4 x 2-1/2 x 69" (3,2 x 7,6 x 175,3 cm)



✓ **BEGIN**

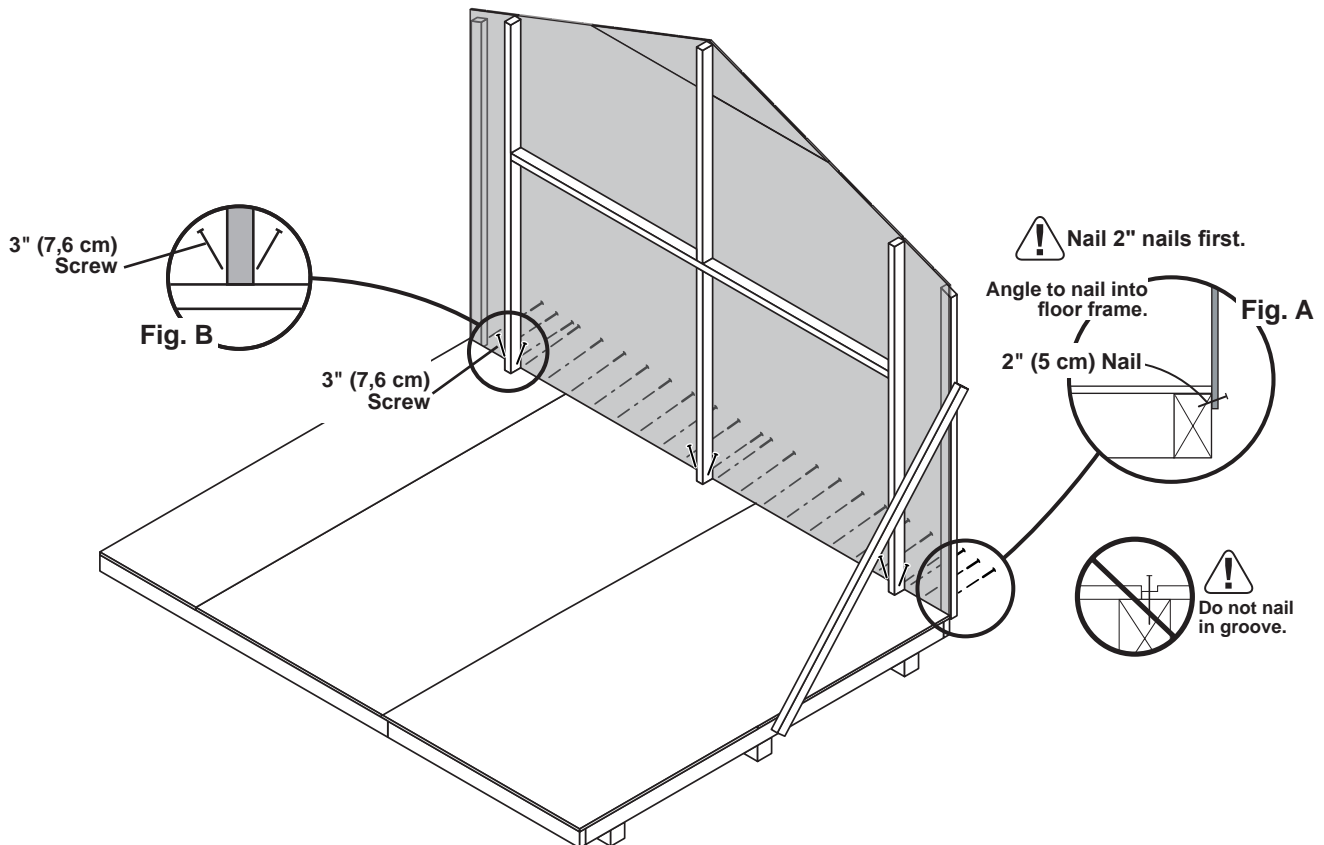
1 Center back wall assembly on the 120" floor dimension.

Use **OO** as a temporary brace. Secure with two 3" screws.



2 First, nail lower edge of panel to floor using 2" nails 6" apart. Angle nail to hit floor frame (**Fig. A**).

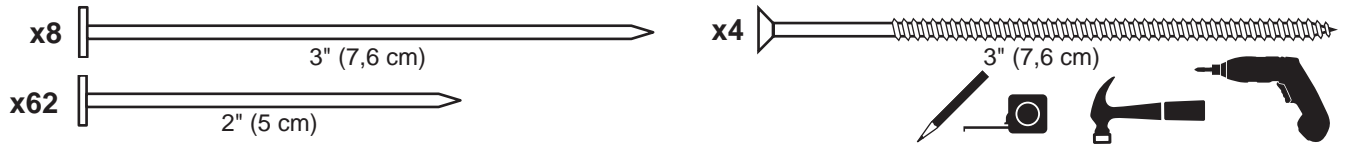
Secure studs to floor using 3" screws (**Fig. B**).



FINISH

You have finished standing your back wall.

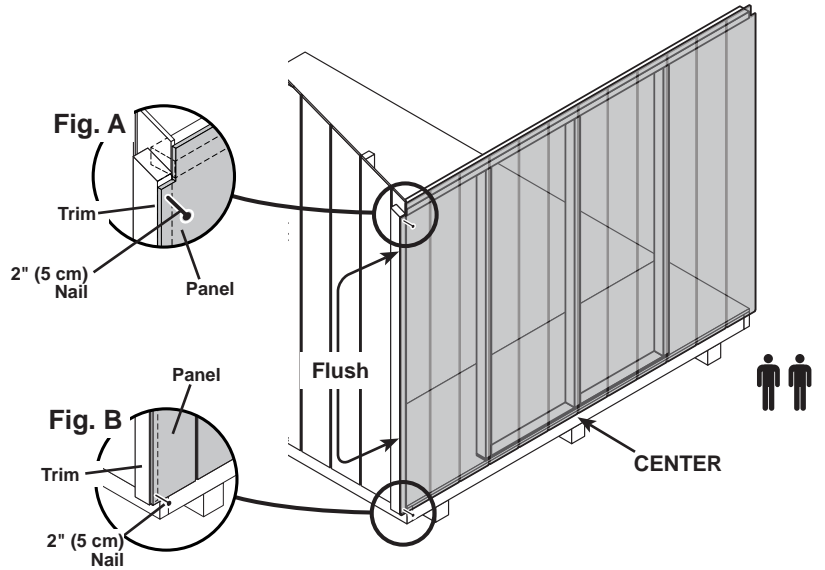
SIDE WALL INSTALLATION



✓ BEGIN

- 1 Center left side wall on floor front to back.

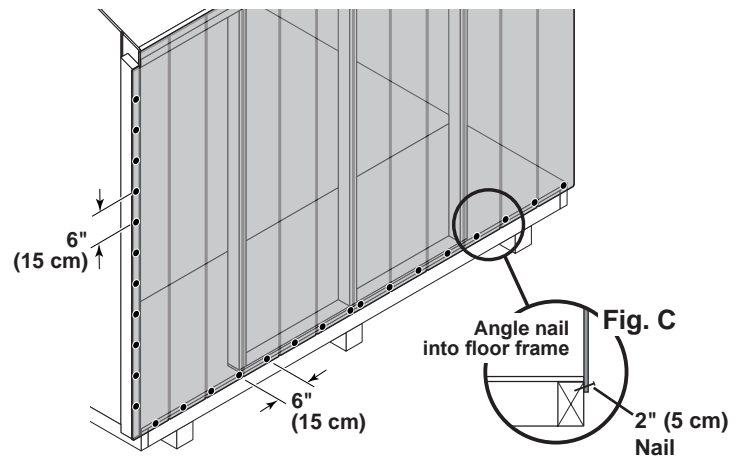
Secure lower and upper corner of side wall panels to back wall trim using (1) 2" nail (**Fig. A, Fig. B**).



- 2 Secure side wall panel edge to back wall trim using 2" nails 6" apart.

Secure bottom of panel to floor using 2" nails 6" apart.

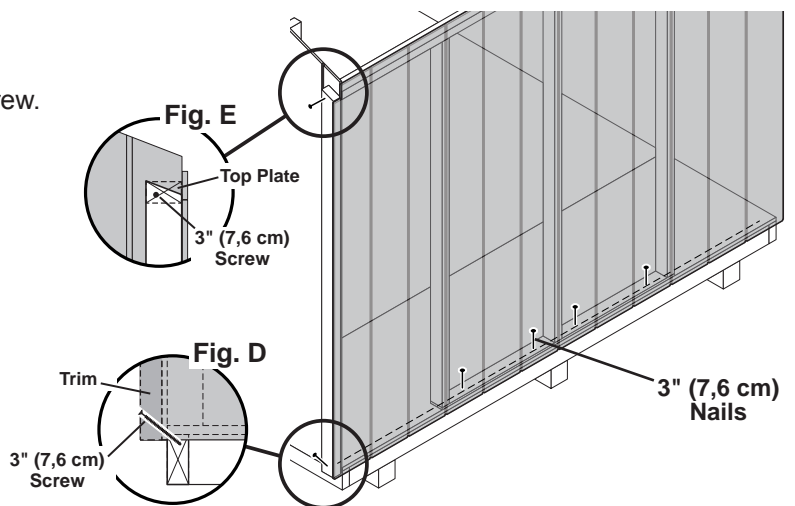
Angle nails to hit floor frame (**Fig. C**).



- 3 Secure side wall OSB bottom plate to floor joist using (4) 3" nails.

Secure the back wall trim to floor using (1) 3" screw. Angle screw to hit floor frame (**Fig. D**).

Secure the back wall trim to side wall top plate using (1) 3" screw (**Fig. E**).



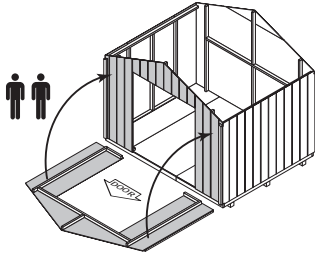
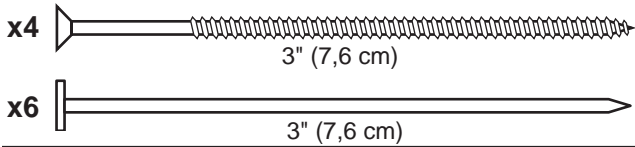
- 4 Remove temporary support.

Repeat STEPS 1 - 3 to install right side wall.



You have finished standing your side walls.

FRONT WALL INSTALLATION



✓ **BEGIN**

1 Center front wall on floor between side walls.

Nail the front wall flush to the floor using 2" nails 6" apart. Angle nails to hit floor frame (**Fig. A**).

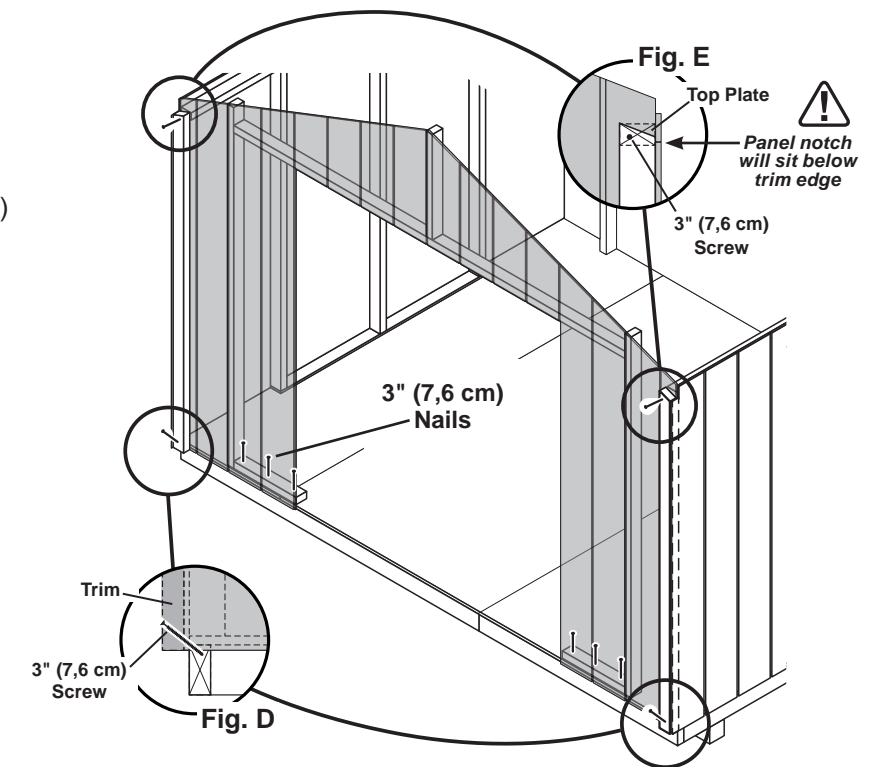
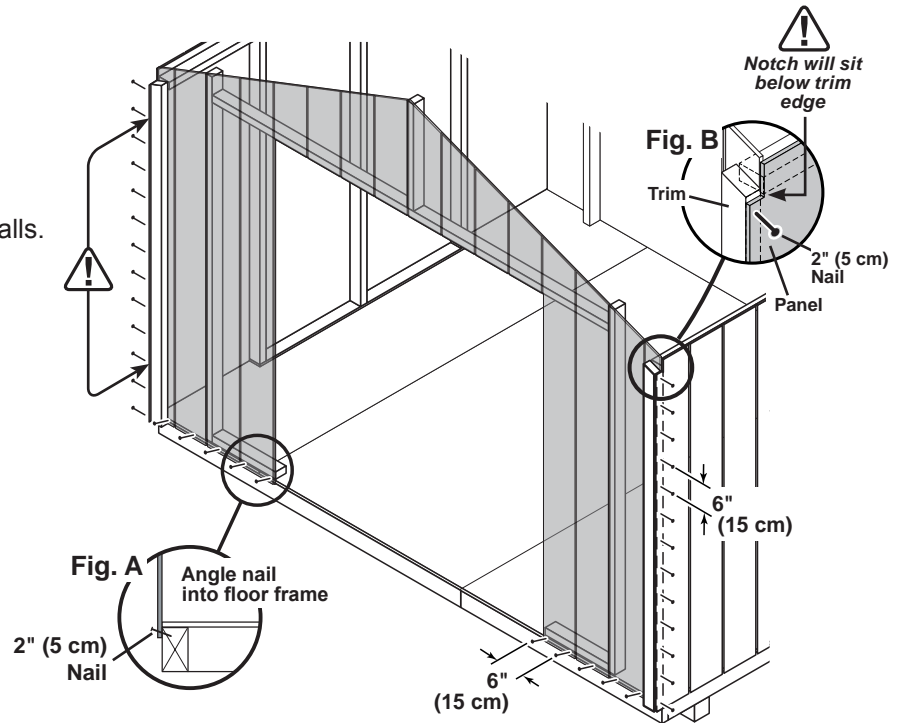
2 Nail along the panel edge into the trim using 2" nails spaced 6" apart (**Fig. B**).

3 Secure front wall bottom plate to floor frame using (4) 3" nails.

Secure the front wall trim to floor using (1) 3" screw at each side. Angle screw to hit floor frame (**Fig. D**).

Secure the front wall trim to side wall top plate using (1) 3" screw at each side (**Fig. E**).

Repeat STEPS 2 - 3 to secure the other side of front wall.

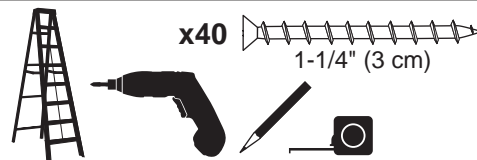


You have finished standing your side walls.

GABLE TRIM

PARTS REQUIRED:

x4 **AAA**
2 x 3 x 68-9/16" (5 x 7,6 x 174,1 cm)



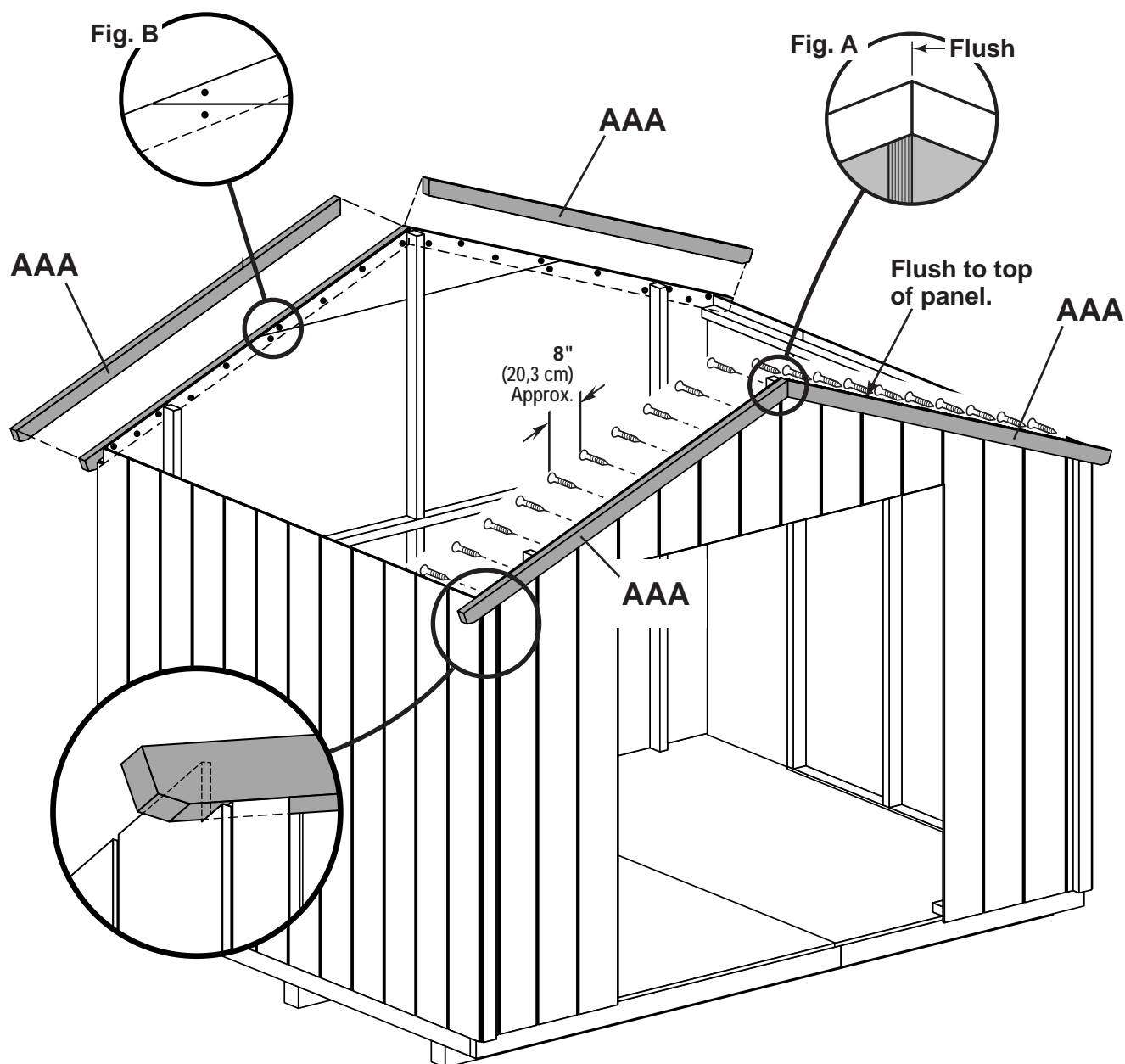
✓ **BEGIN**

1 Position one **AAA** flush to front panel edge and center at peak (**Fig. A**).
Secure trim using (10) 1-1/4" screws from inside. Install two screws at seam (**Fig. B**).



2 Position second **AAA** flush to panel edge and flush to peak of installed trim (**Fig. A**).
Secure trim using (10) 1-1/4" screws from inside. Install two screws at seam (**Fig. B**).


Repeat steps 1-2 to attach the back trim.

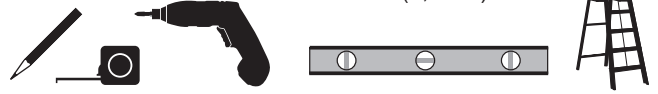


BACK GABLE TRIM

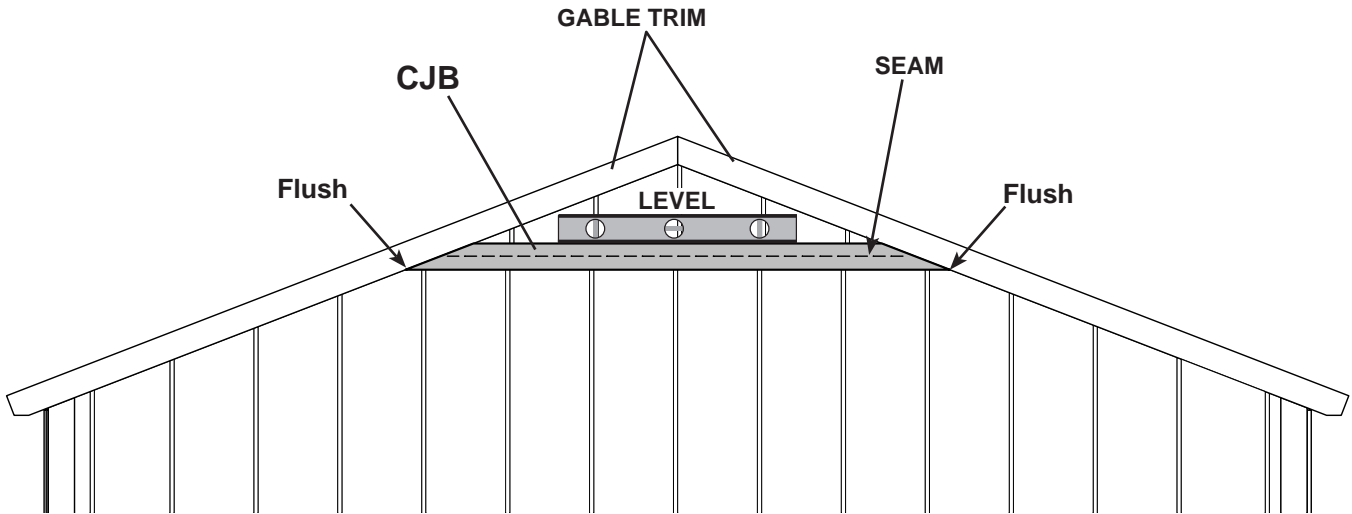
PARTS REQUIRED:

x1 **CJB**
11/16 x 2-1/2 x 51-7/8" (1,7 x 6,3 x 131,8 cm)

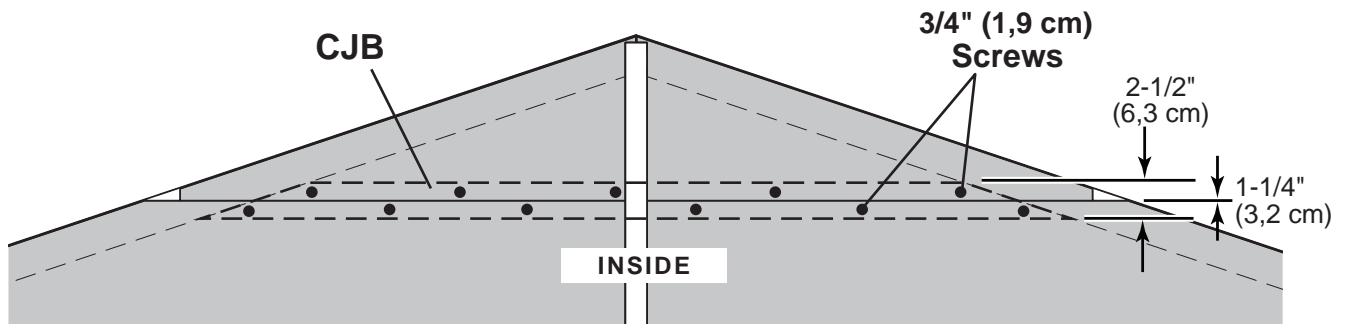
x11 
3/4" (1,9 cm)



- 3** Clamp or hold trim **CJB** on gable panel seam and flush up against gable trim. Ensure **CJB** is level.

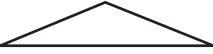


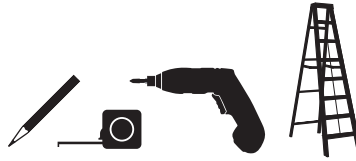
- 4** From the inside, attach **CJB** using (11) 3/4" screws as pattern shows.

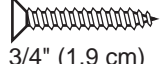
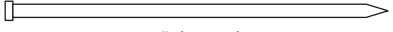


FRONT GABLE FILLER

PARTS REQUIRED:

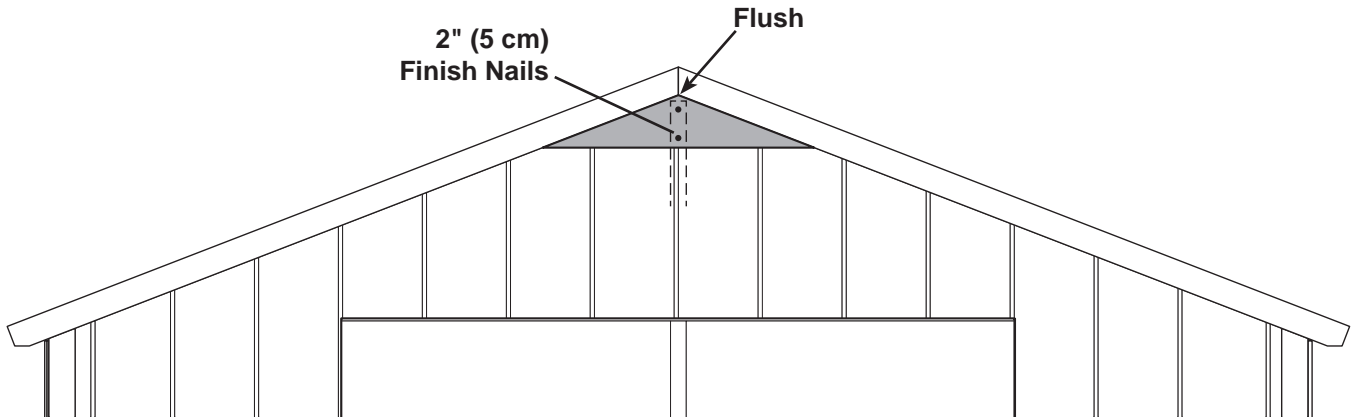
x1 
3/8 x 5 x 25-7/8" (1,0 x 12,7 x 65,7 cm)



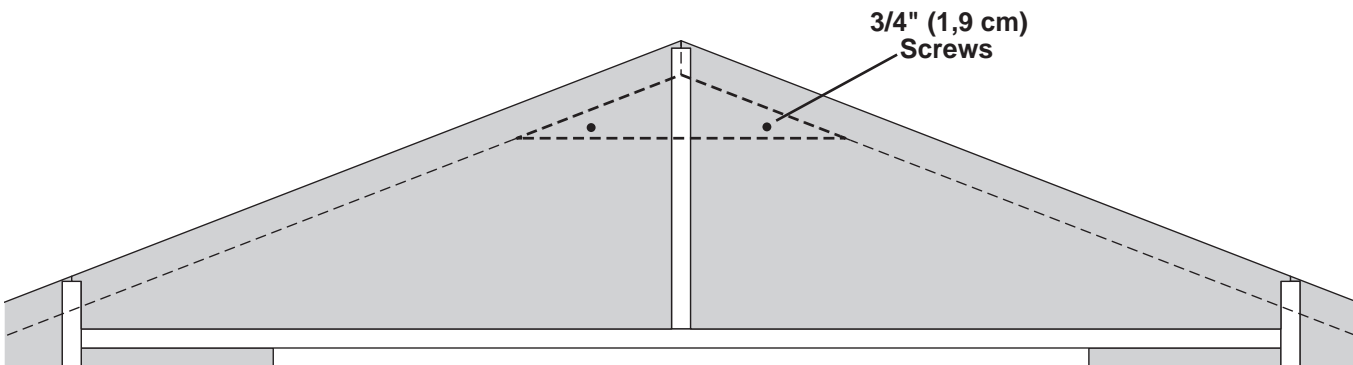
x2 
3/4" (1,9 cm)
x2 
2" (5 cm)



- 5** Place gable panel seam flush up against gable trim.
Secure using (2) 2" finish nails.



- 6** *From the inside*, secure trim using (2) 3/4" screws as pattern shows.



Your gable trim is now installed.

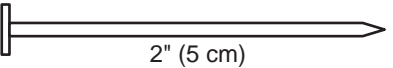
RAFTER ASSEMBLY

PARTS REQUIRED:

x6 **CXS**
2 x 4 x 64-5/16" (5 x 10 x 163,4 cm)

x6  6 x 24" (15 x 61 cm)

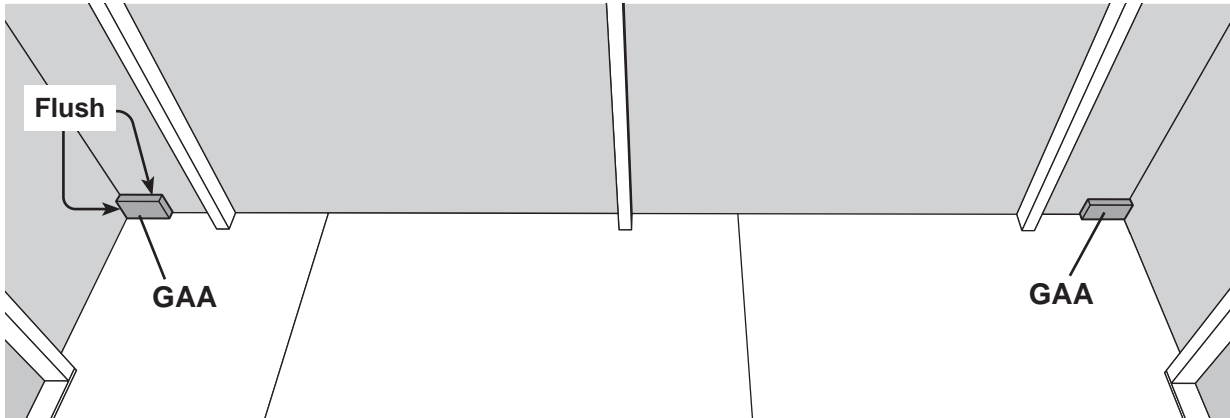
x2 **GAA** 1 x 3 x 5"
(2,5 x 7,6 x 12,7 cm)

x72  2" (5 cm)

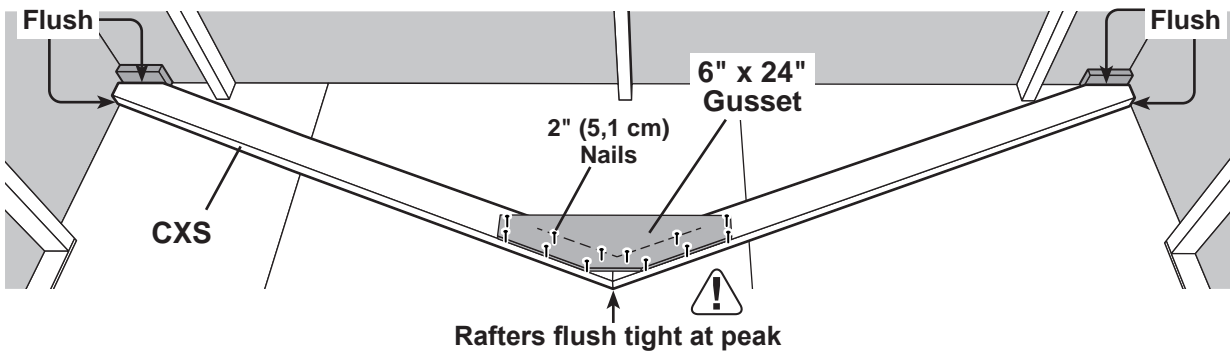


✓ **BEGIN**

- Place (2) **GAA** blocks with 3/4" edge on floor in back corners, flush to side and back wall panels as shown.

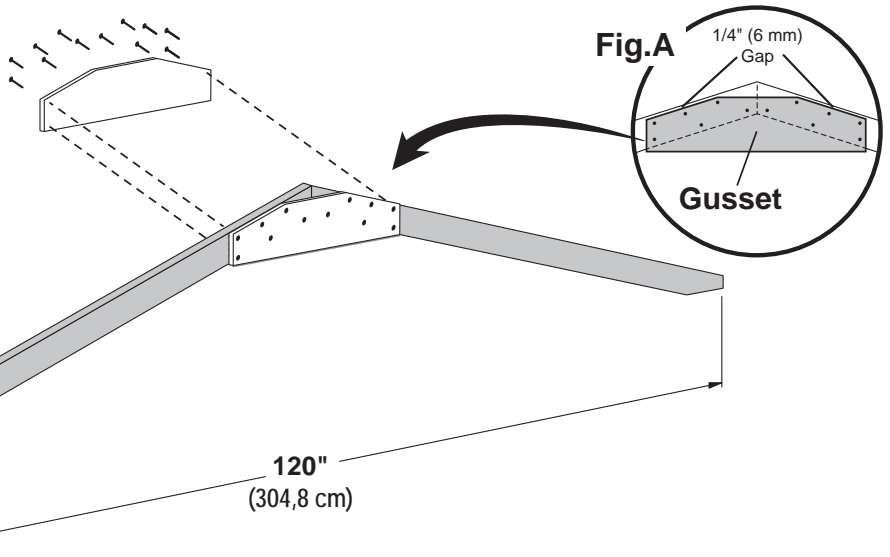


- Fit (2) rafters **CXS** flush to side wall panels and flush to the **GAA** blocks. Flush rafters at peak. Place (1) 6" x 24" gusset on top of rafters. Install with 1/4" gap from top of rafter edge (**Fig. A**). Secure using (12) 2" nails in pattern shown (**Fig. A**).



- Flip rafter assembly and nail another gusset to back side.

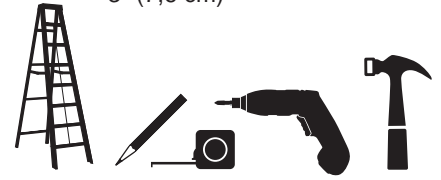
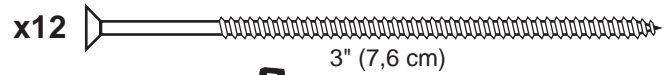
Repeat STEPS 1 - 3 to build (2) more rafter assemblies.



Your rafters are now assembled.

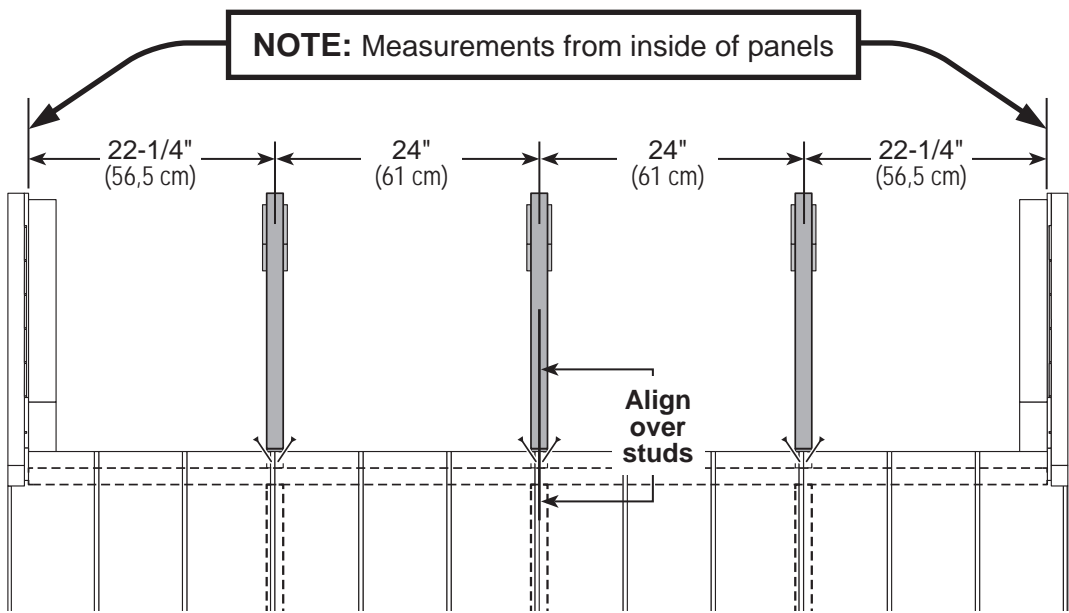
RAFTERS

PARTS REQUIRED:

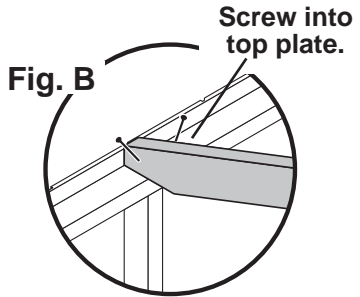
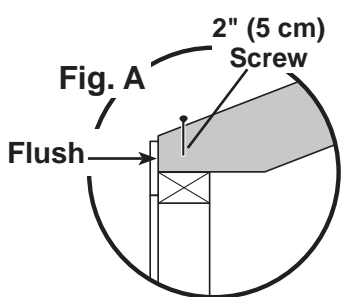


✓ **BEGIN**
1

Place rafters on side wall top plates, aligned flush over studs and flush to side wall panels. Secure using (2) 3" screws at each end (**Fig. A, Fig. B**).



Maintain the measurements between rafters.

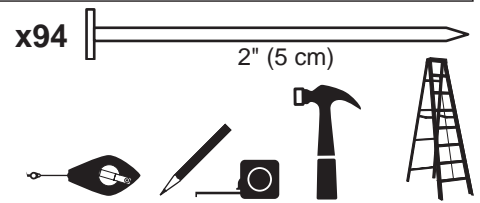
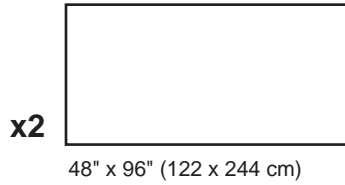


FINISH

Your rafters are now installed.

ROOF PANELS

PARTS REQUIRED:



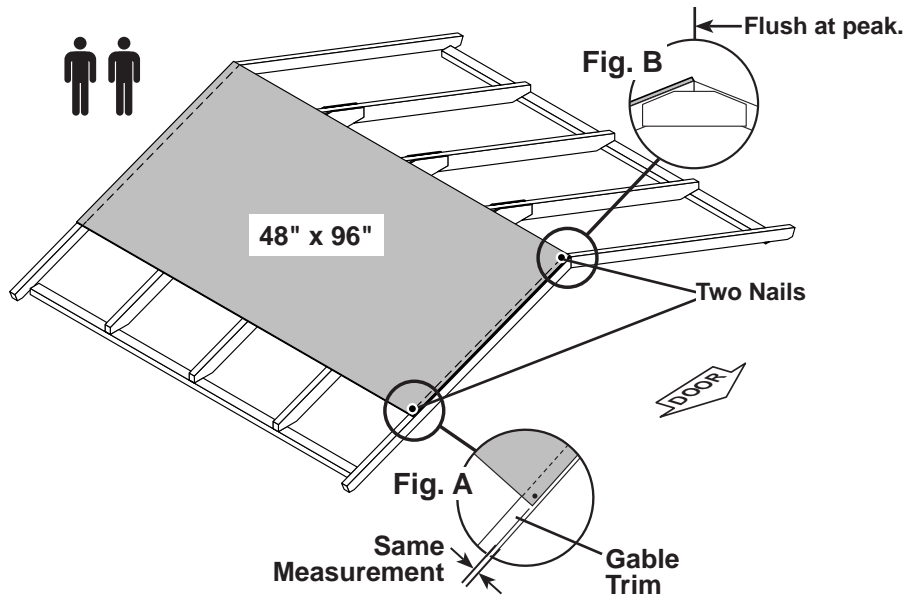
Roof panels may cause serious injury until securely fastened.

Note: all roof panels need to be installed with the rough side up (painted grid lines).

✓ BEGIN

- 1 Place the 48 x 96" panel with a 1/4" measurement back from the gable trim (Fig A) and flush at the peak (Fig. B).

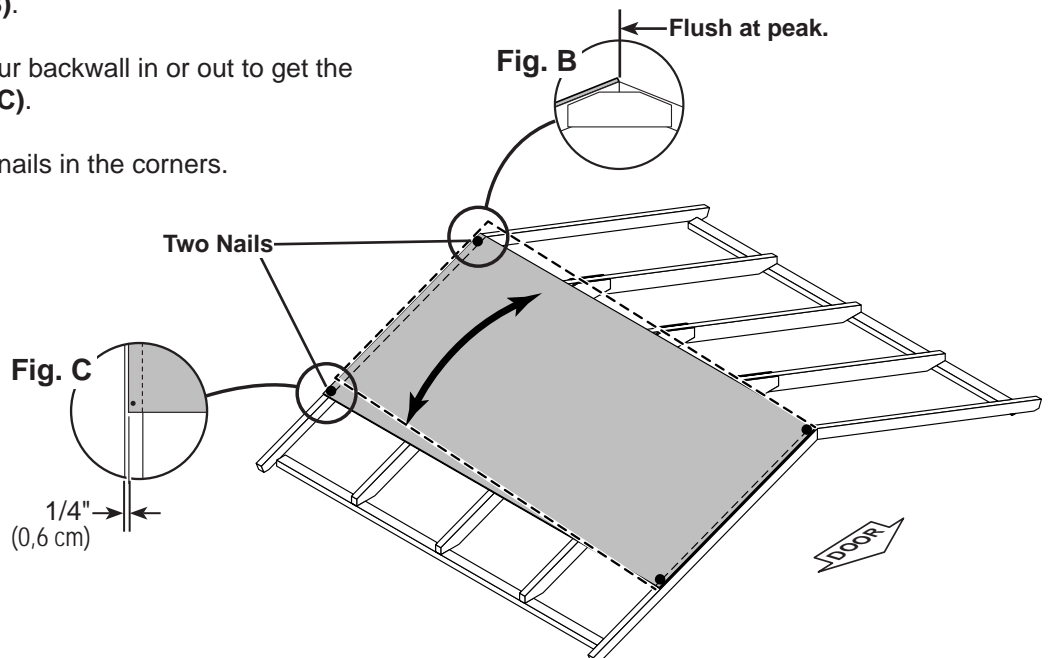
Secure panel using (2) 2" nails in the corners.



- 2 Move to the opposite end. Using the long edge of the panel as a lever, move the panel side-to-side until the top corner is flush to the peak (Fig. B).


You may need to move your backwall in or out to get the same measurement (Fig. C).

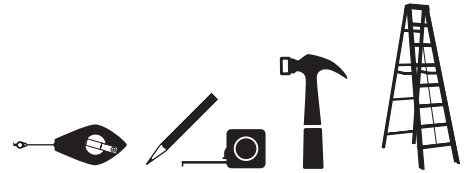
Secure panel using (2) 2" nails in the corners.



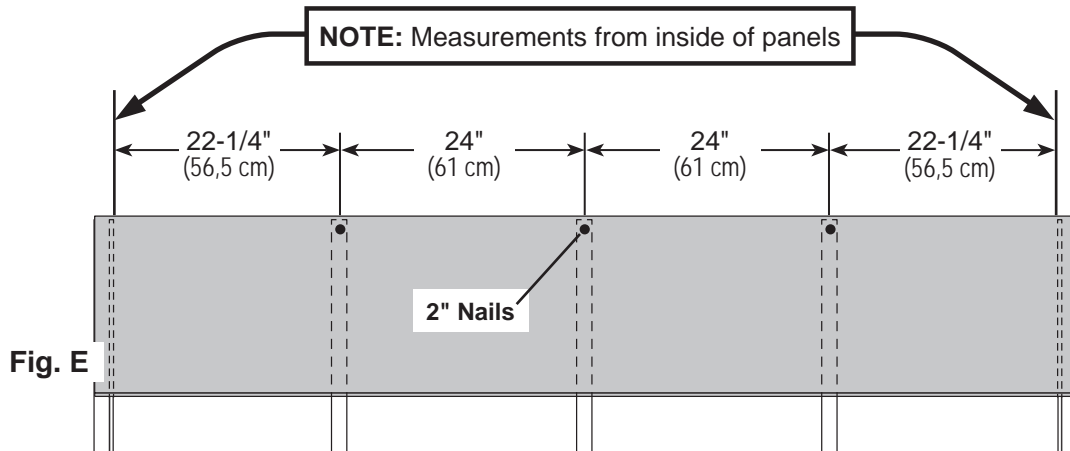
ROOF PANELS

PARTS REQUIRED:

x2 
20-9/16" x 96" (52,2 x 244 cm)

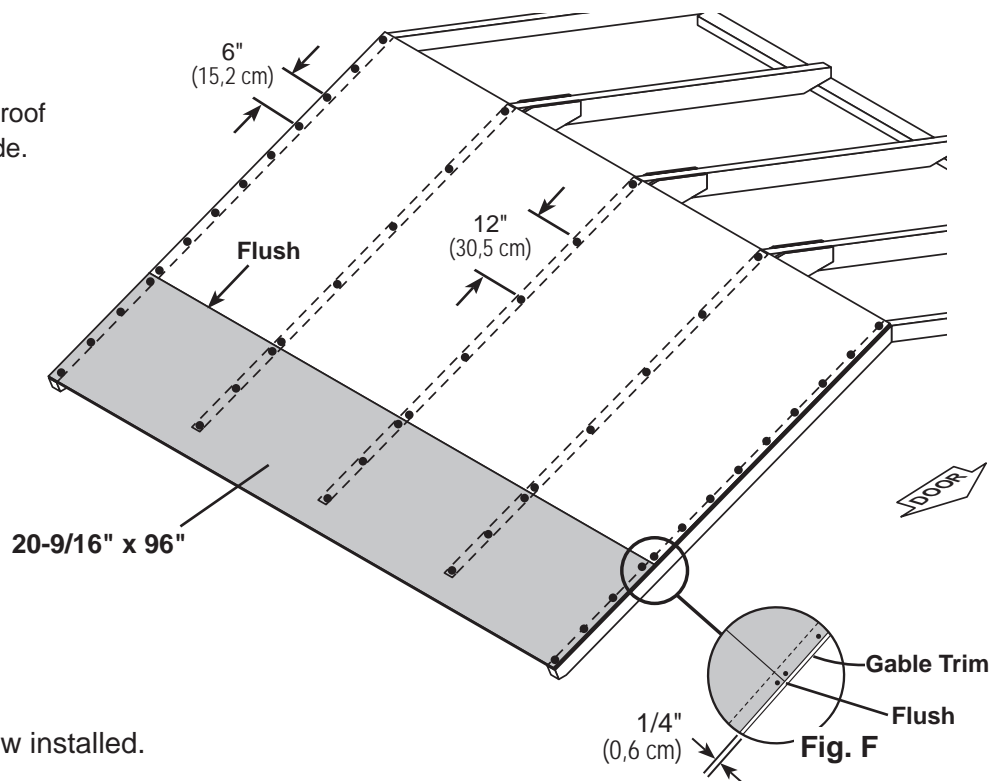
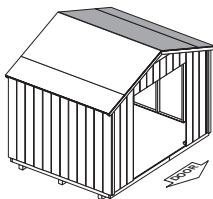


- Maintain spacing between the center of the rafters.
Secure using (1) 2" nail into each rafter (**Fig. E**).



- Install the 20-9/16" x 96" roof panel flush to the upper panel and with a 1/4" measurement at the gable trim (**Fig. F**).
Secure the roof panels using 2" nails 6" apart on edges and 12" apart inside panel.

Repeat process to attach roof panels on the opposite side.




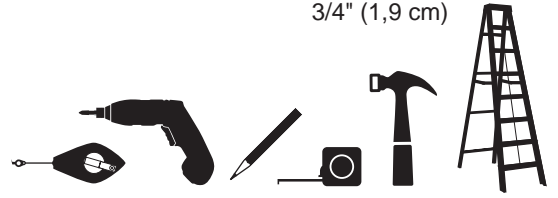
Your roof panels are now installed.

EAVE SOFFIT

PARTS REQUIRED:

x2 **DRA**
1 x 4 x 93-1/4" (2,5 x 7,6 x 236,9 cm)

x56 
3/4" (1,9 cm)



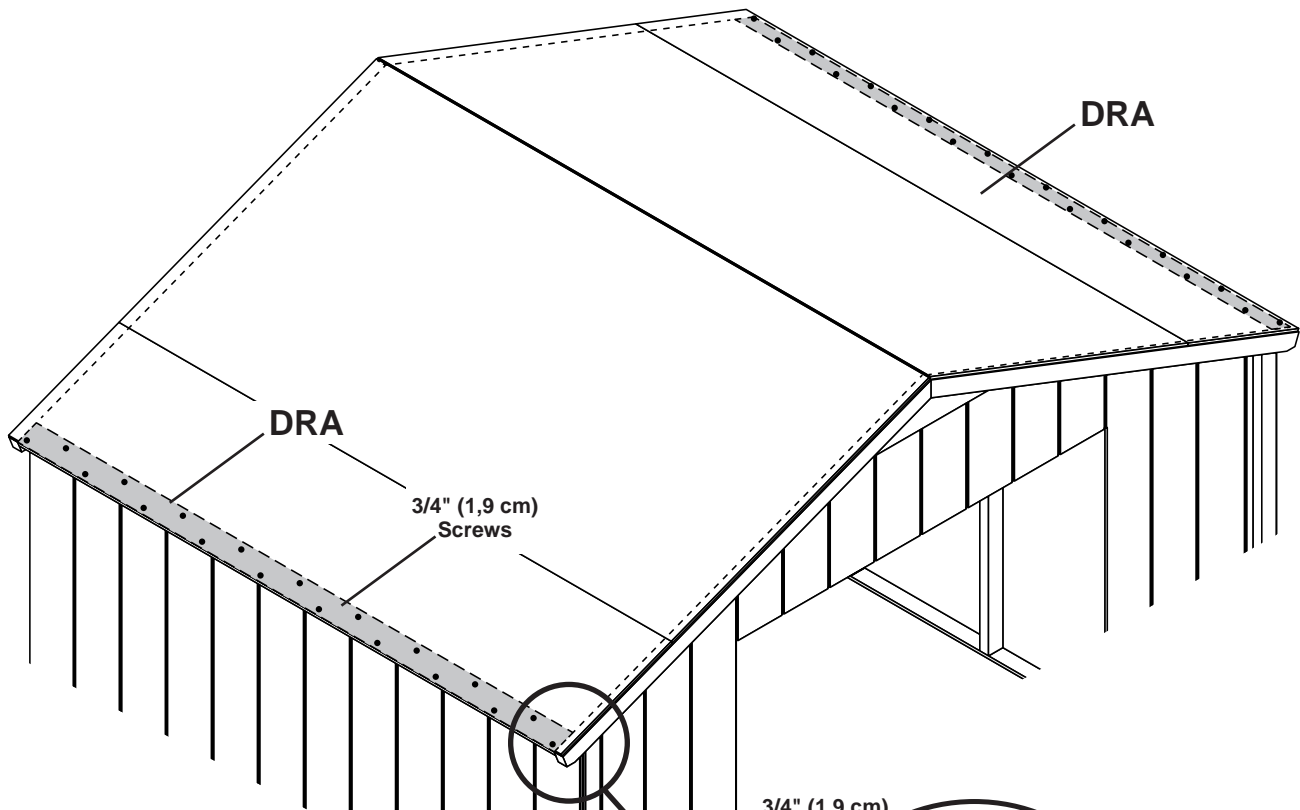
✓ BEGIN

1 Fit eave soffit **DRA** under roof panel and between front and back gable trim.

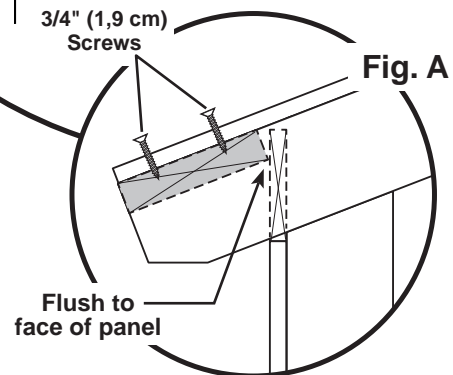
Flush soffit to face of side wall panel (**Fig. A**).

Secure soffit to roof panel using 3/4" screws (**Fig. A**).

Repeat steps to install eave soffit on opposite side.

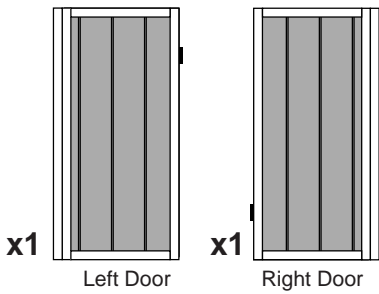


Your eave soffits are installed.



DOORS

PARTS REQUIRED:

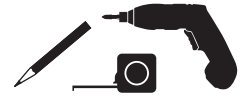
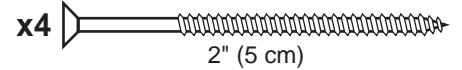
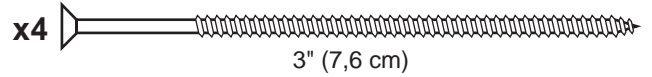


x1 **OO**

1-1/4 x 2-1/2 x 69" (3,2 x 7,6 x 175,3 cm)

x1 **ZJ**

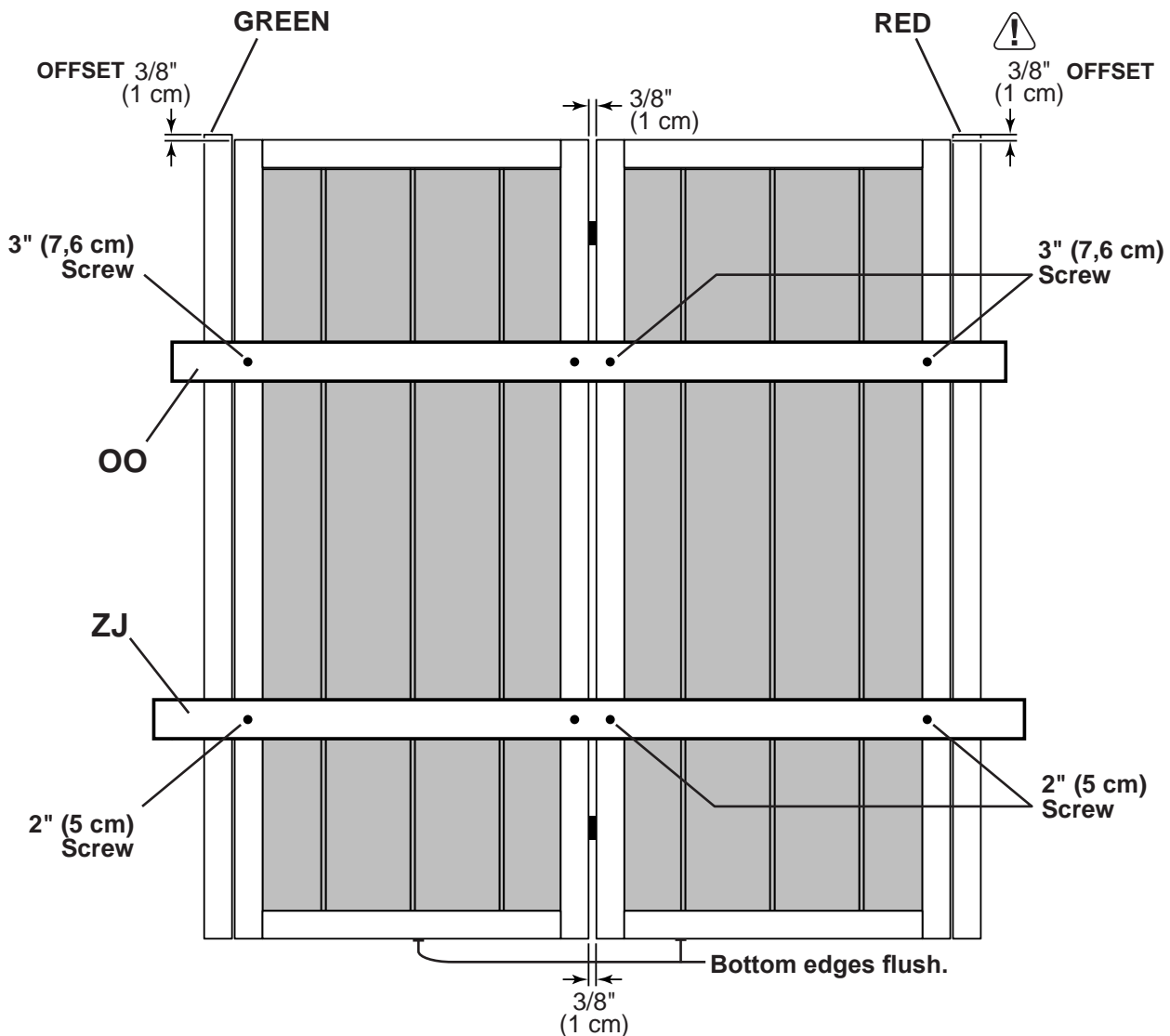
19/32 x 3 x 72" (1,5 x 7,6 x 183 cm)



✓ **BEGIN**


1 Lay doors as shown on flat surface. **!** 3/8" offset is to top.
Look for red (right) and green (left) on hinge board.


2 Attach temporary support **OO** with 3" screws in middle and at ends.
Attach temporary support **ZJ** at bottom with 2" screws in middle and at ends.



DOORS

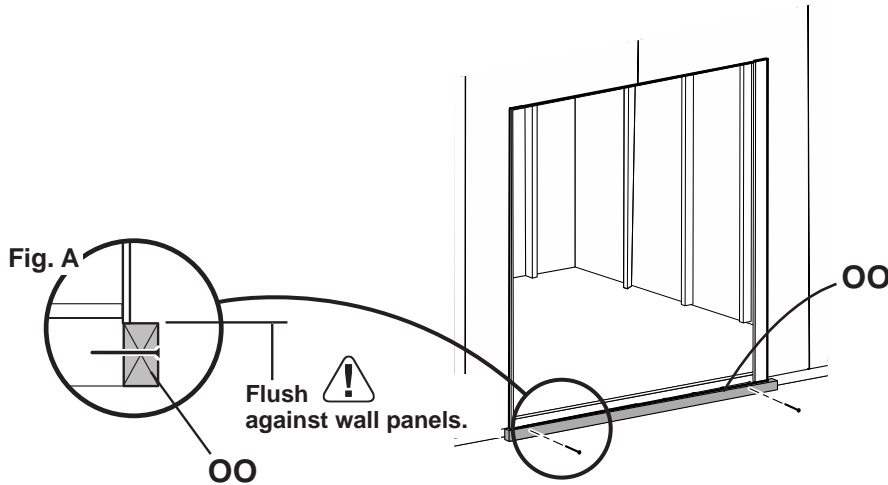
PARTS REQUIRED:


x1  **OO**
1-1/4 x 2-1/2 x 69" (3,2 x 7,6 x 175,3 cm)

x6  3" (7,6 cm)



- 3** Attach temporary support **OO** flush under wall panels using (2) 3" screws (**Fig. A**).

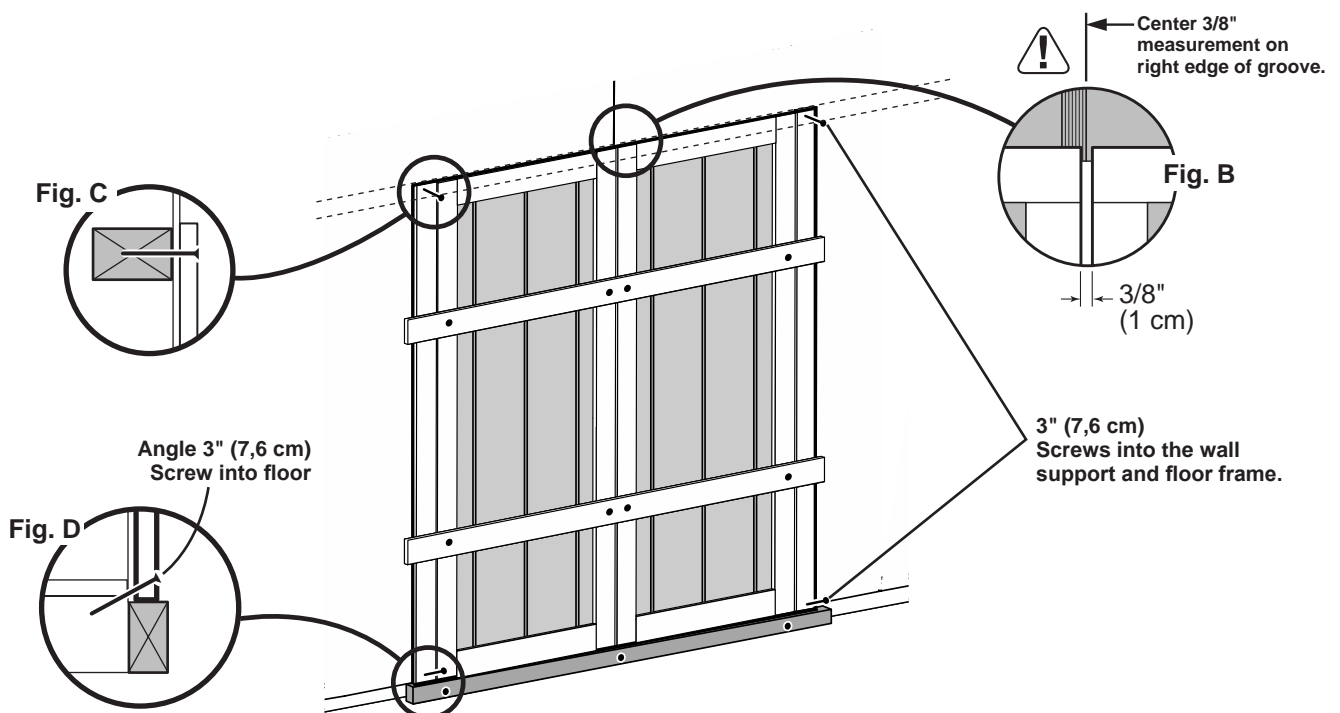


- 4** Center doors on right edge of groove as shown (**Fig. B**). 

- 5** Screw hinge boards into wall supports and floor using (4) 3" screws as shown.

 **Make sure screws go into framing and floor (Fig. C, D).**

Remove temporary supports and check doors for correct operation.





DOOR

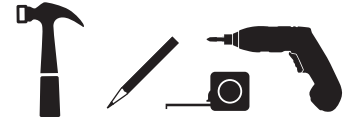
PARTS REQUIRED:

x4 **AH**
 19/32" x 2-1/2" x 26-5/8" (1,5 x 6,3 x 67,6 cm)

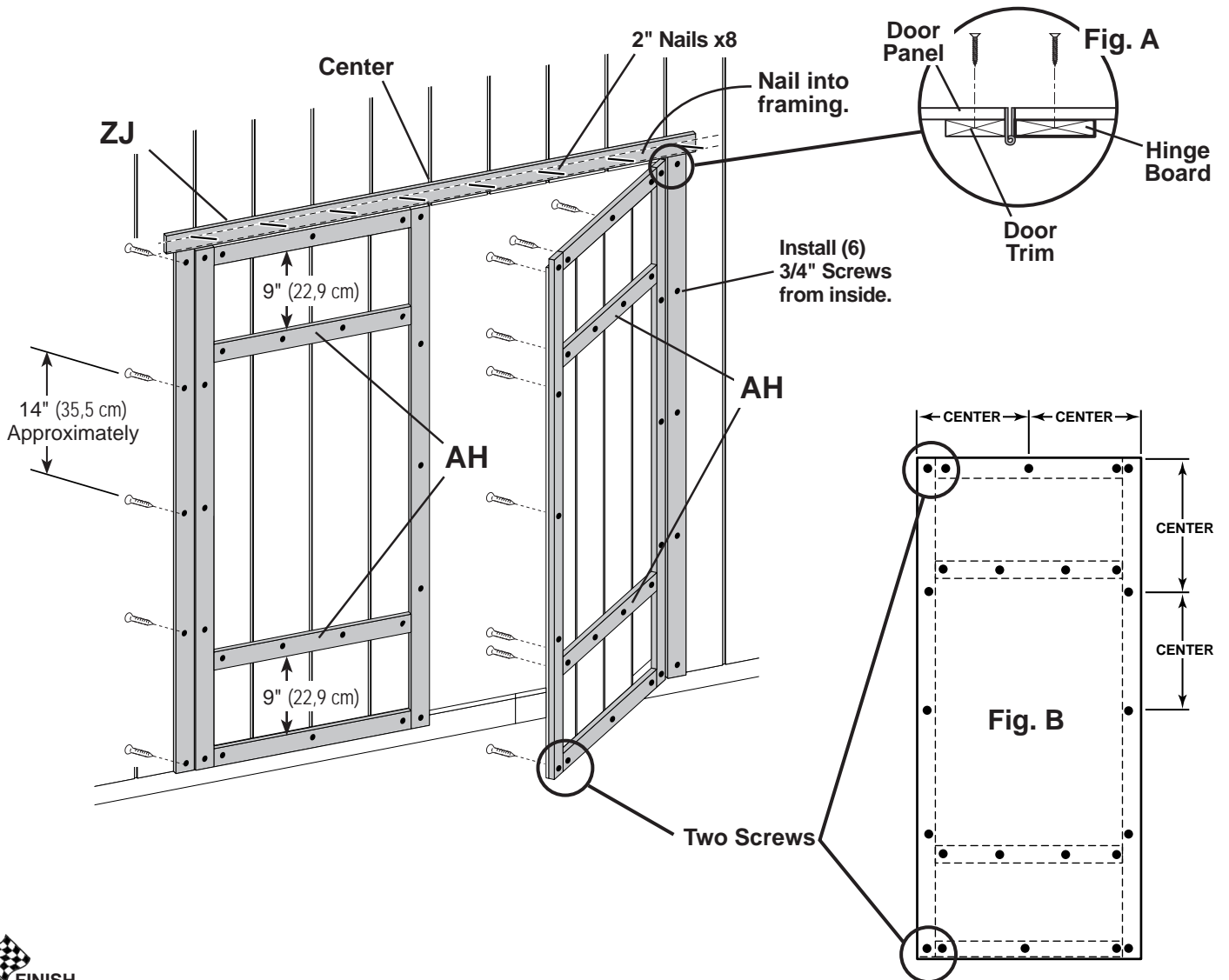
x1 **ZJ**
 19/32" x 2-1/2" x 72" (1,5 x 6,3 x 182,9 cm)

x8  2" (5 cm)

x58  3/4" (1,9 cm)



- 6 Install (4) door rails **AH** as shown.
 Secure using (4) 3/4" screws from behind.
- 7 Reinforce door trim from inside using 3/4" screws as shown (**Fig. A**, **Fig. B**).
- 8 Center trim **ZJ** over doors and secure using (8) 2" finish nails into framing, as shown.



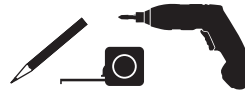
Your doors are now installed.

DOOR WEATHERSTRIP

PARTS REQUIRED:

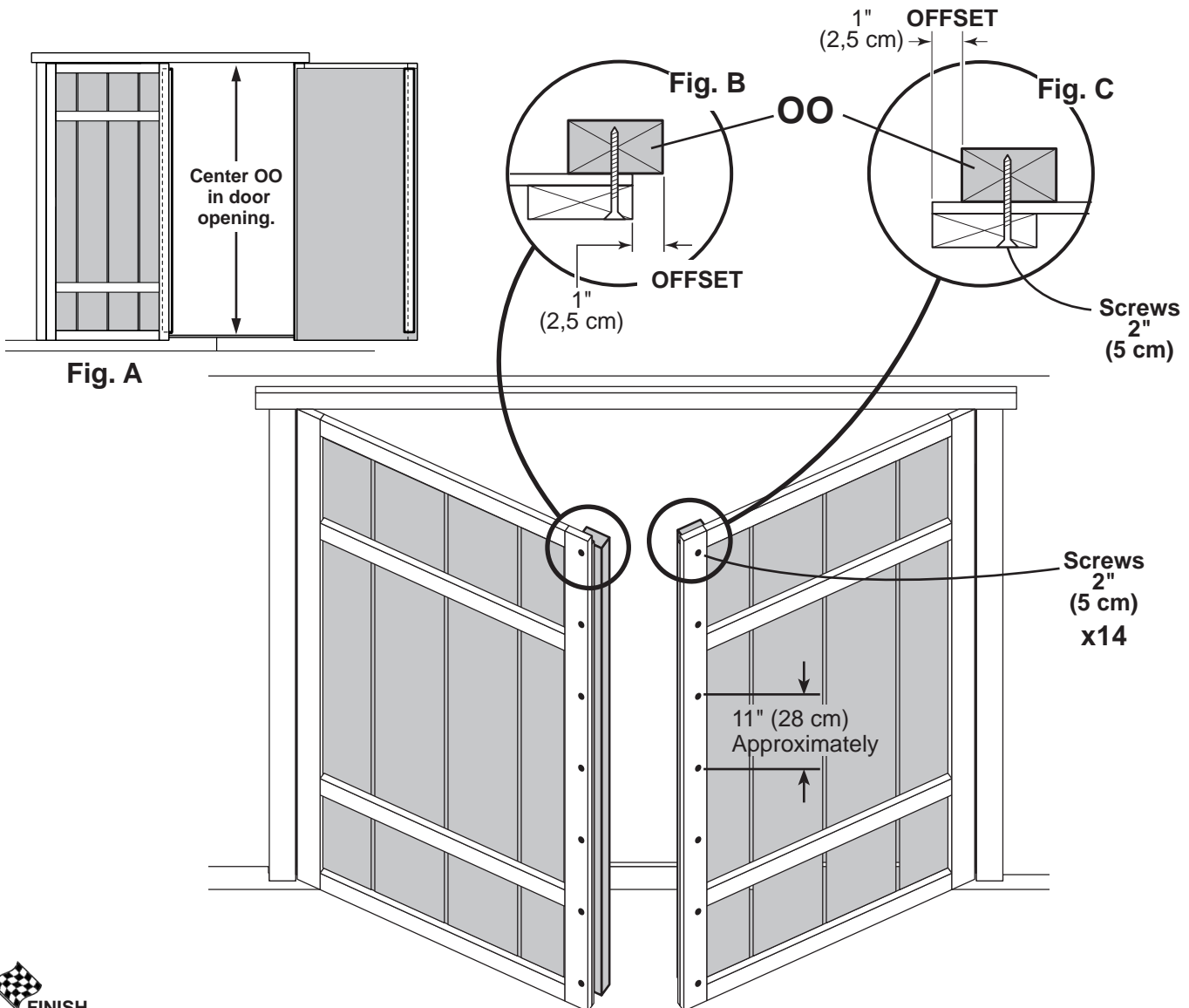
x2 **OO**
1-1/4 x 2-1/2 x 69" (3,2 x 7,6 x 175,3 cm)

x14
2" (5 cm)



✓ BEGIN

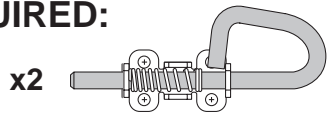
- 1 With left door closed, center weatherstrip **OO** vertically on the left door in the door opening (**Fig. A**).
OO will offset the left door 1" OUT past the door trim 1" (**Fig. B**).
- 2 Secure **OO** using (7) 3" screws through outside trim into **OO** (**Fig. B**)
- 3 On right door, center **OO** vertically in door opening (**Fig. A**).
OO will offset the right door 1" in from the door trim (**Fig. C**).
- 4 Secure **OO** using (7) 3" screws through outside trim into **OO** (**Fig. C**).



You have finished installing your door weatherstrips.

DOOR HARDWARE

PARTS REQUIRED:



5/16" (0,8 cm) Drill Bit



x8 1" (2,5 cm)

✓ BEGIN

- 1 Place bolt onto **OO** in open position with bolt end 3/8" down from frame. Bolt is open when loop is contacting base (**Fig A**). Mark and pre-drill holes for screws.
- 2 Install bolt with screws supplied and drill 5/16" hole for bolt to extend into.
- 3 Place bolt onto **OO** in open position with bolt end 1/2" up from floor. Bolt is open when loop is contacting base (**Fig B**). Mark and pre-drill holes for screws.
- 4 Install bolt with screws supplied and drill 5/16" hole for bolt to extend into.

Fig. A

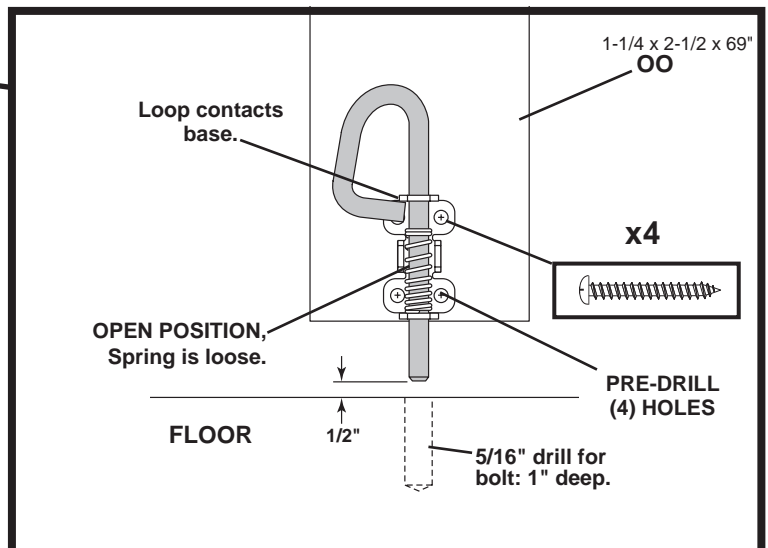
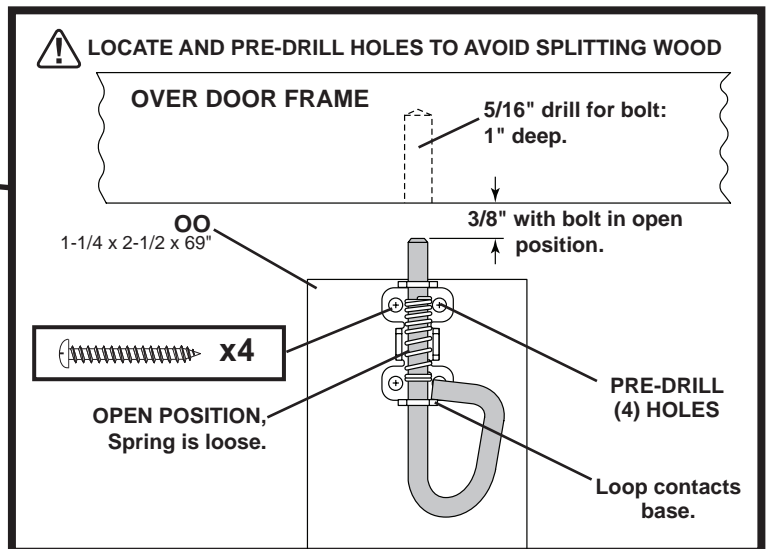


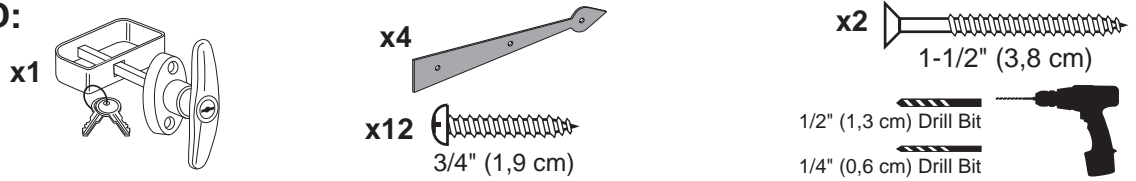
Fig. B



FINISH You have finished installing your spring bolts.

DOOR HARDWARE / DECORATIVE HINGES

PARTS REQUIRED:



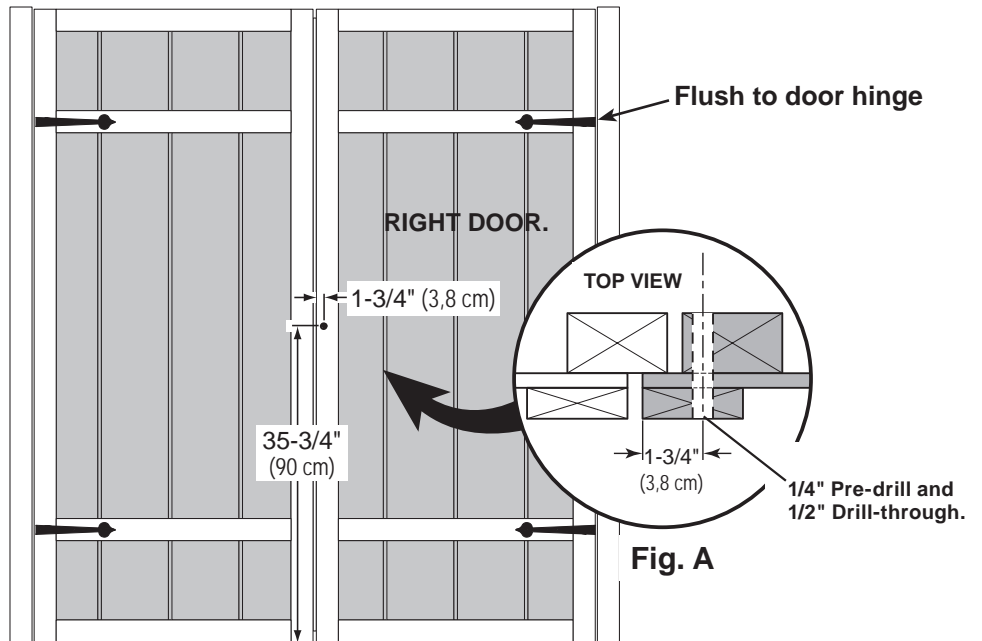
✓ BEGIN

- 1 Measure and mark location of hole on outside of right door as shown (Fig. A).
Pre-drill hole with 1/4" drill.

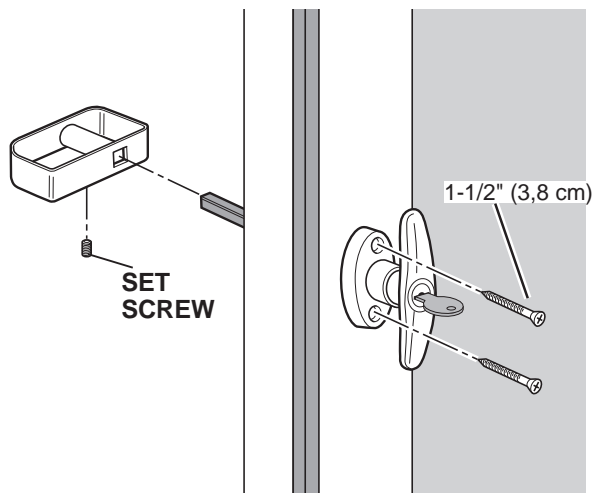
Re-drill hole with 1/2" drill.



Keep drilled hole square to trim to avoid breaking edge of door stiffener.



- 2 Insert handle in hole and secure using 1-1/2" (3,8 cm) screws.
Attach inside handle and secure with set screw as shown.

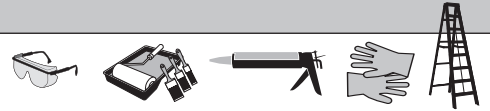


- 3 Install decorative hinges centered on horizontal trim and flush to door hinge as shown.
Secure hinges using 3/4" screws.



Your T-handle and decorative hinges are now installed.

PAINT & CAULK - NOT INCLUDED -



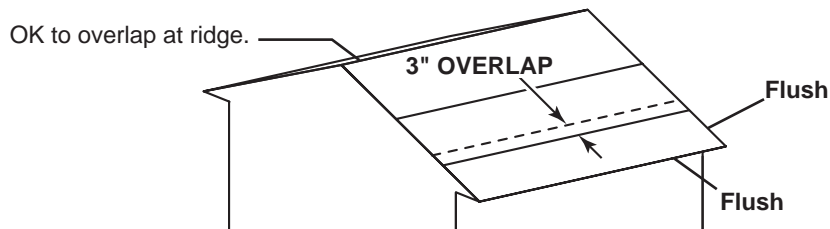
- Use acrylic latex caulk that is paintable. Caulk at all horizontal and vertical seams, between the trim and walls, and all around the door trim.
- Use a high quality exterior acrylic latex paint. When painting your building, there are a few key areas that can be easily overlooked that must be painted:
 - Bottom edge of all siding and trim
 - Inside of doors and all 4 edges

Note:

Prime all un-primed exterior wood before painting.
(Follow directions provided by manufacturer.)

ROOF FELT - NOT INCLUDED -

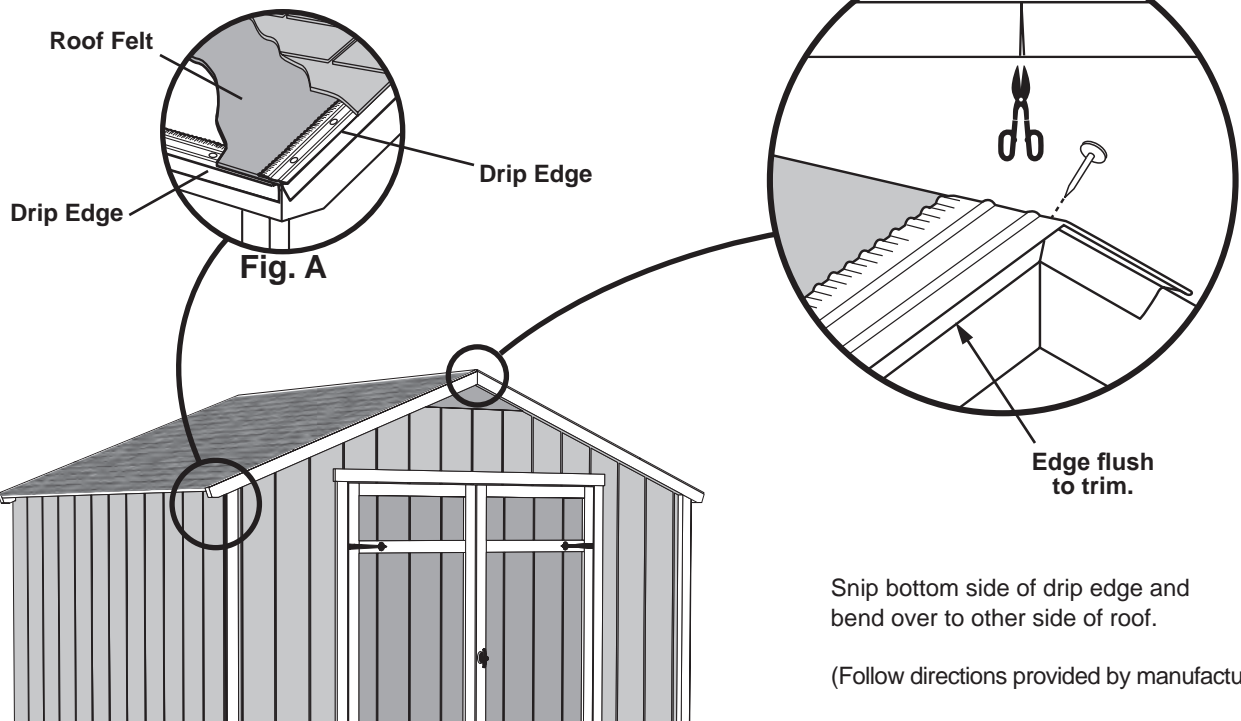
- Install felt flush to all roof edges overlapping 3". Use minimal amount of roofing nails to hold in place.



DRIP EDGE - NOT INCLUDED -

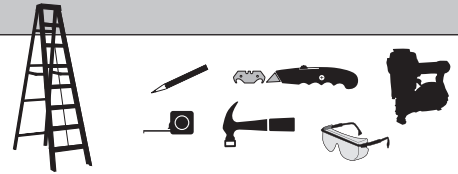


- Install over roof felt on gable side and under roof felt on eave side (**Fig. A**).
- Do not use nails on side of drip edge that hangs over side of building.
- Only nail top of drip edge as shown.

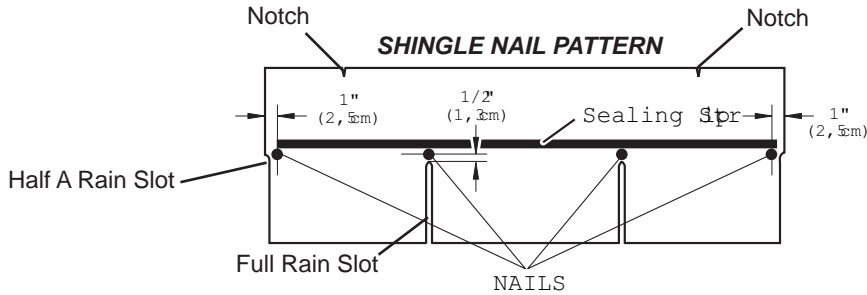


SHINGLES - NOT INCLUDED -

• Follow directions provided by manufacturer and these instructions.



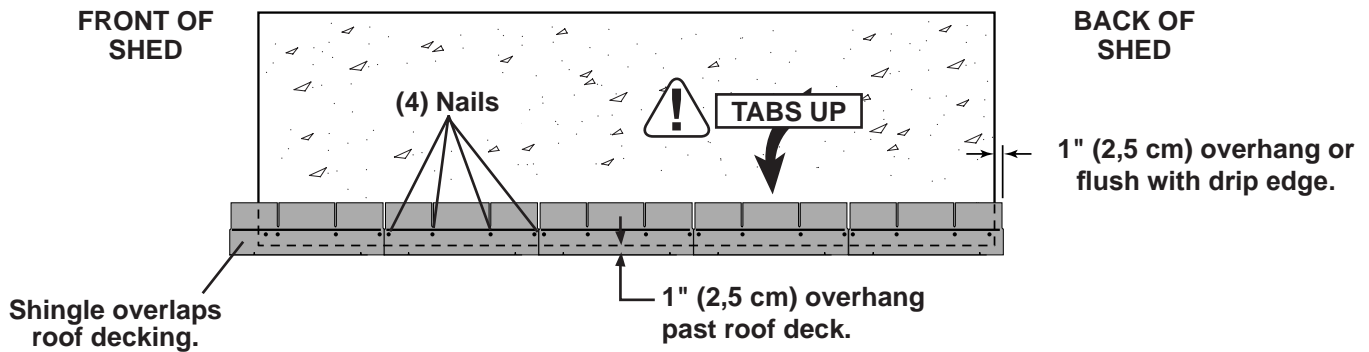
! Familiarize yourself with a 3-Tab Shingle.



! NEVER DRIVE FASTENERS INTO OR ABOVE SEALING STRIPS.

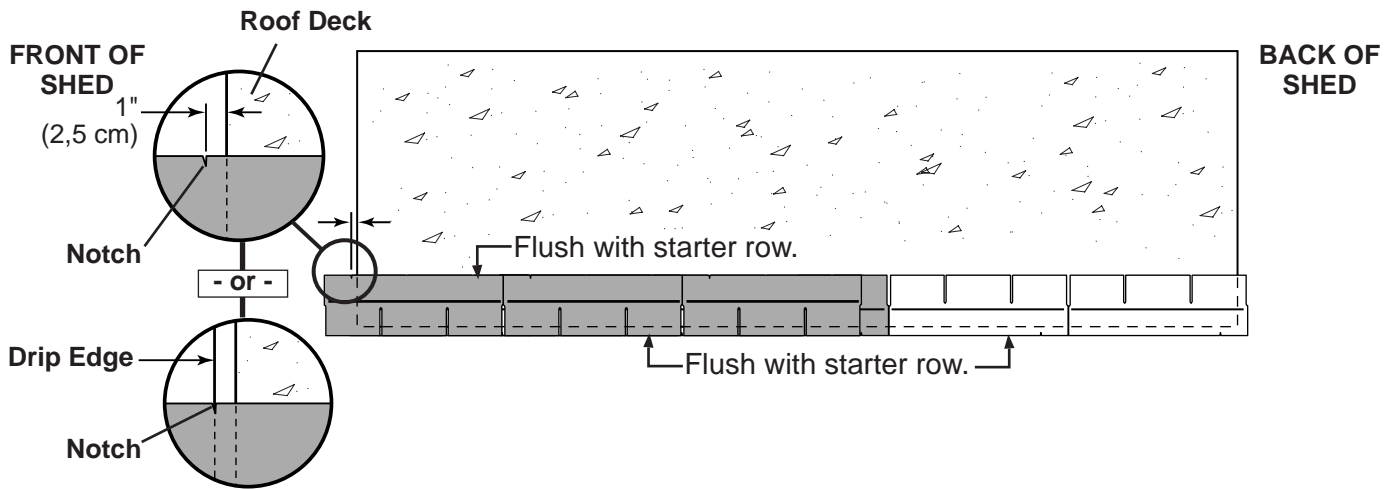
✓ BEGIN

- 1** Install first starter row upside down and color up with a 1" overhang at back and bottom of roof panel. Use (4) nails per shingle. **Starter row must be straight and level all the way across with lower edge of roof deck.**
NOTE: If you have installed drip edge install shingles flush to drip edge.

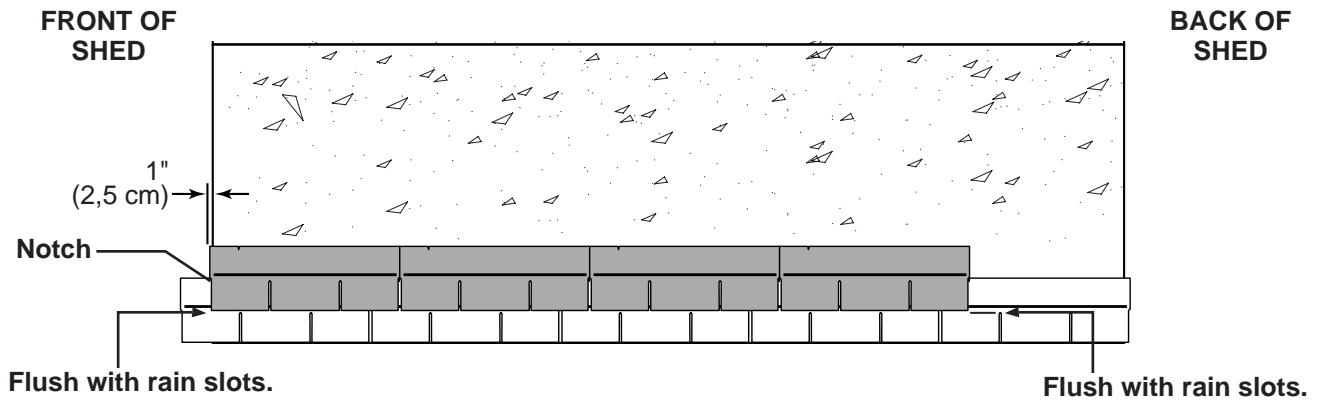


SHINGLES continued...

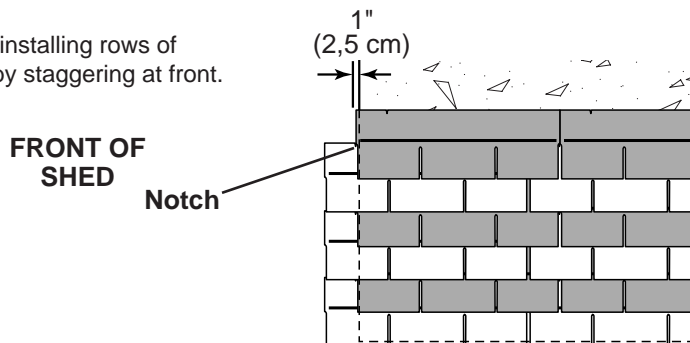
- 2 Beginning at front of shed, install first row of shingles with notch at 1" past roof edge or flush with drip edge.



- 3 Install second row of shingles flush at top of first row's rain slots. Ensure 1" overhang or flush to drip edge at front, stagger each row.

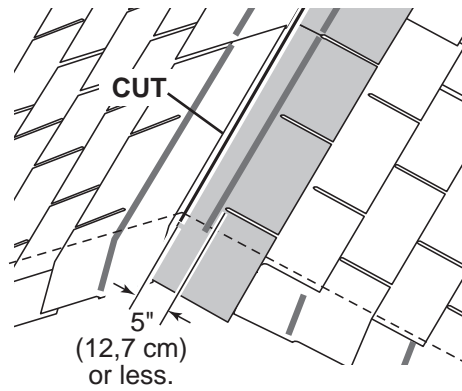
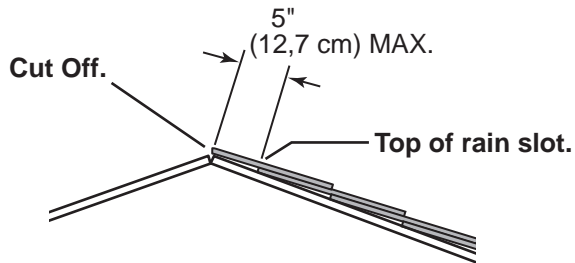


- 4 Continue installing rows of shingles by staggering at front.



SHINGLES continued...

- 5 Continue installing rows of shingles to the peak. At the peak make sure there is a maximum of 5" or less to the rain slot, as shown below. If shingles overlap at ridge cut to peak with a utility knife.

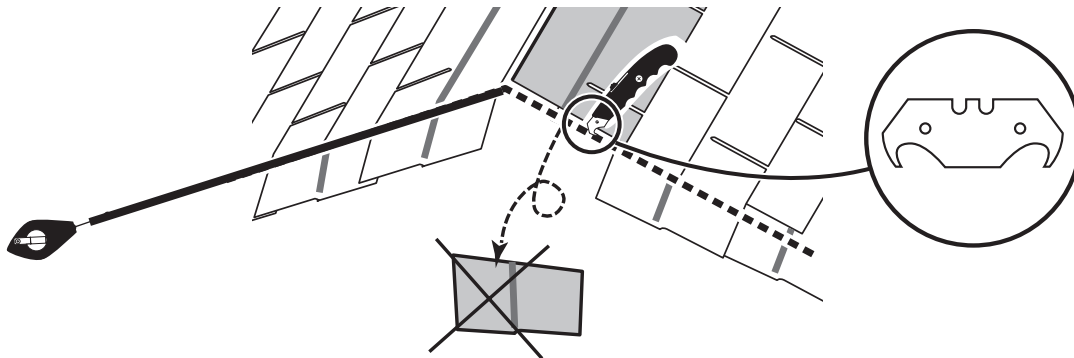


- ! • If more than 5" to rain slot you must install another row of shingles.

- 6 Repeat steps 1 - 5 to shingle the opposite side of your roof. Trim shingles at ridge.

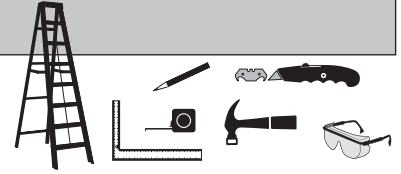
- 7 Once both sides are shingled you need to trim ends. Strike a chalk line 1" from edge.

- 8 Using your shingle hooked blade carefully cut shingles along chalk line.



- 9 You have finished shingling your roof. Proceed to capping the ridge.

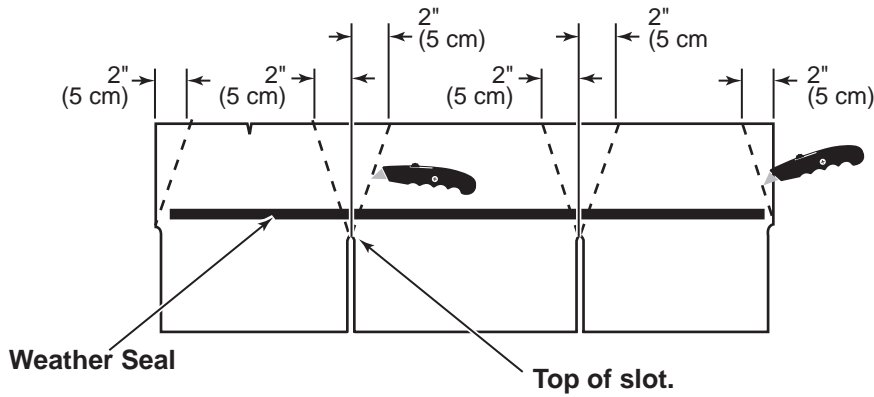
SHINGLES - RIDGE CAP



• You will finish off the top of the roof with a ridge cap made from shingles.

BEGIN

1 Cut shingles into THREE pieces. **Hint:** Use cut-off pieces first.

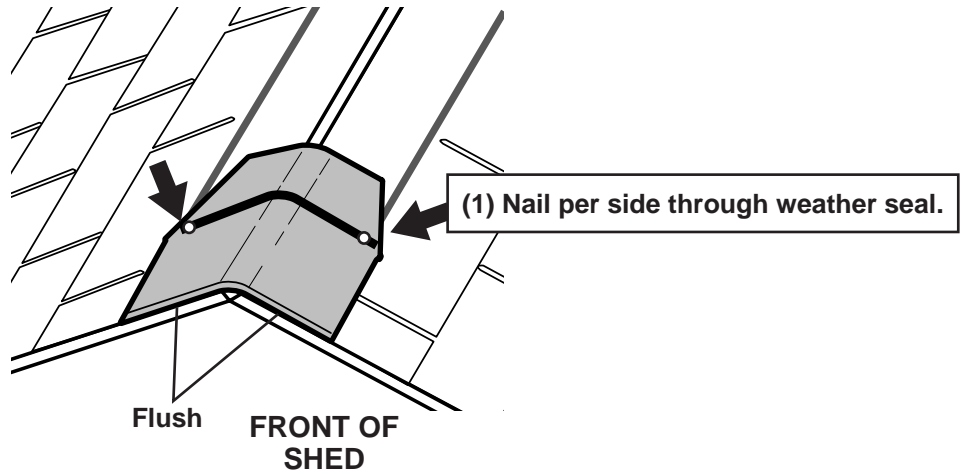


 Score shingle, then snap-off angled cut.

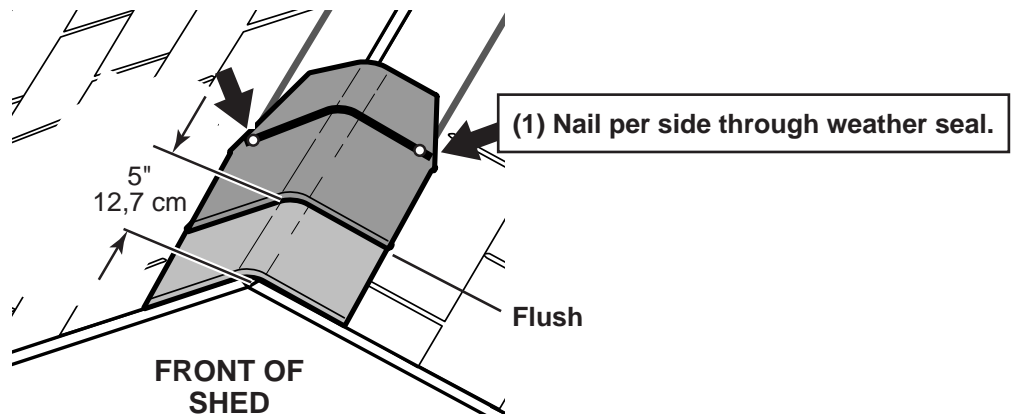
Note: • You will need about 21 - 24 cut pieces.

21 to 24 Pieces

2 Install first ridge cap flush to shingles at front, as shown.

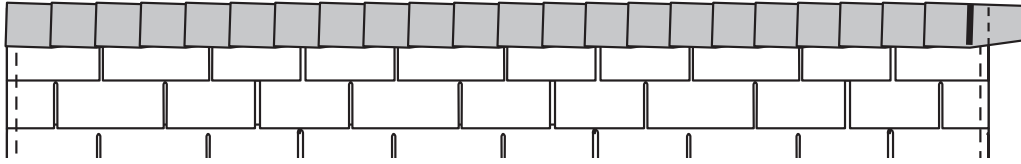


3 Install second ridge cap 5" back, as shown.

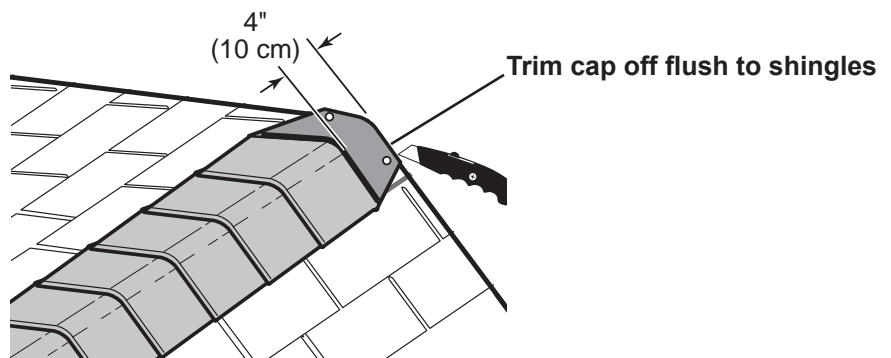


SHINGLES - RIDGE CAP continued...

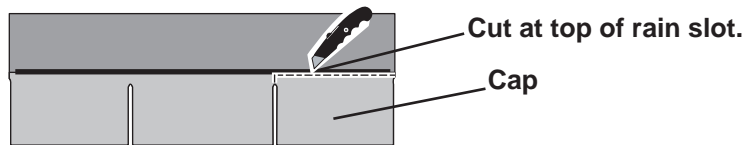
- 4 Continue installing ridge cap to back of roof.



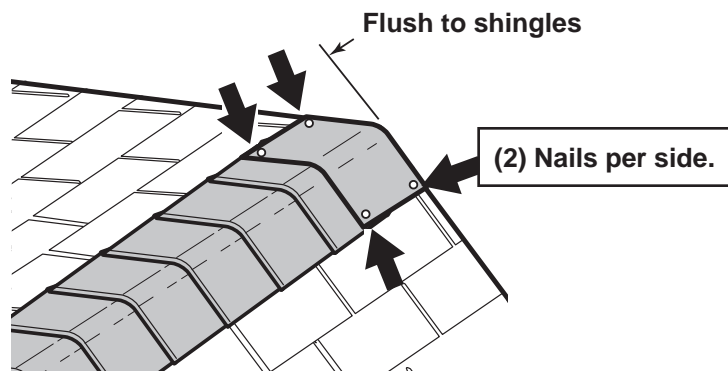
- 5 Make sure there is 4" between the shingle-color and edge of shingles.



- 6 When you have 4" minimum of shingle color cut one piece to cap your roof.



- 7 Install flush to shingles.



FINISH

- 8 You have finished your ridge cap.

LIMITED CONDITIONAL WARRANTY*

Backyard Storage Solutions, LLC warrants the following:

1. Every product is warranted from defects in workmanship and manufacturing for 1 year.
2. All accessories, hardware and metal components are warranted for 2 years.
3. All Oriented Strand Board (OSB) is warranted for 2 years
4. Siding and Trim is warranted for 10 years.
5. Solar Shed windows are warranted for 1 year.
6. Cedar lumber is warranted for 15 years.
7. Preserved Pine is warranted for 10 years.
8. Redwood is warranted for 10 years.

Backyard Storage Solutions, LLC will repair, replace or pay for the affected part. In no event shall Backyard Storage Solutions, LLC pay the cost of labor or installation or any other costs related thereto. All warranties are from date of purchase. If a cash refund is paid on an affected part, it will be prorated from the date of purchase.

CONDITIONS

The warranty is effective only when:

1. The unit has been erected in accordance with the assembly instructions.
2. The unit has been properly shingled and painted or stained and reasonably and regularly maintained thereafter.
3. The failure occurs when the unit is owned by the original purchaser.
4. Backyard Storage Solutions, LLC has received the warranty registration card within thirty (30) days of purchase and notification of the failure in writing within the warranty period specified above.
5. Backyard Storage Solutions, LLC has had reasonable opportunity during the sixty (60) days following receipt of notification to inspect and verify the failure prior to commencement of any repair work.

REQUIREMENTS

Storage Buildings

To validate your warranty, it is necessary to properly maintain your Backyard Storage Solutions, LLC unit; shingle the roof and paint or solid-colored stain the siding using quality, 100% acrylic latex exterior product with a minimum of two (2) coats within thirty (30) days of assembly; caulk above all doors and all horizontal and vertical trim boards; paint and seal all exposed edges, sides and faces of siding/trim and OSB siding to include all exterior walls and all sides and all edges of doors.

Gazebos & Pergolas

To validate your warranty, it is necessary to properly maintain your Backyard Storage Solutions, LLC unit. This includes treating all of the exposed cedar and pine surfaces on your gazebo or pergola structure with an exterior grade wood preservative, an exterior oil-based semi-transparent stain, an acrylic latex exterior paint or an acrylic latex solid color exterior stain within 30 days of assembly and as needed thereafter to maintain your warranty.

Keep vegetation trimmed away from building and make sure siding panels and trim do not come in contact with masonry or cement. The minimum ground clearance for siding must be one half inch (½ inch) from concrete slab or two and one half inches (2 ½") from the ground when building is erected or constructed on a treated wood floor kit. Water from sprinklers must be kept off unit. In no event will Backyard Storage Solutions, LLC be responsible for any indirect, incidental, consequential or special damages nor for failure(s) that are caused by events, acts or omissions beyond our control including, but not limited to, misuse or improper assembly, improper maintenance (which eventually leads to rot or decay) and acts of God. Backyard Storage Solutions, LLC will not be held responsible for any labor costs incurred to construct your unit.

This warranty gives you certain specific rights that vary from state to state.

CLAIM PROCEDURE

To make a claim under this warranty, you can either call 1-888-827-9056 or email: customerservice@backyardproducts.com.

Please have ready the information below when you call or include the information in your email:

1. The model and size of the product.
2. A list of the part(s) for which the claim is made.
3. Proof of purchase of the Backyard Storage Solutions, LLC item, as shown on the original invoice or receipt.
4. Run code: found on exterior product label or assembly instructions enclosed in the product package.

All other inquiries can be mailed to:

Backyard Storage Solutions, LLC
Attn: Customer Service
1000 Ternes
Monroe, MI 48162a

***WARRANTY TERMS MAY VARY OUTSIDE THE U.S.A.**

IMPORTANT: This is your warranty certificate.

10Y MV LDR: 3/20/2019