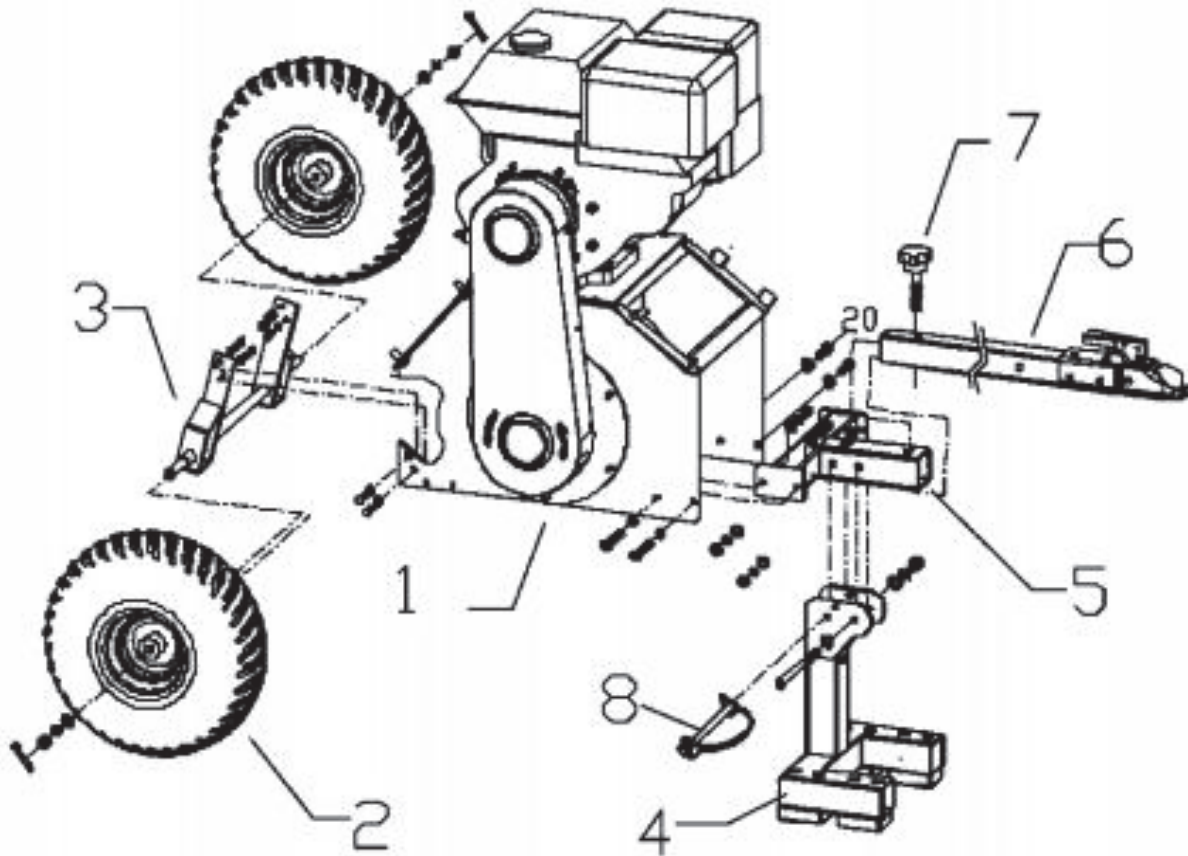


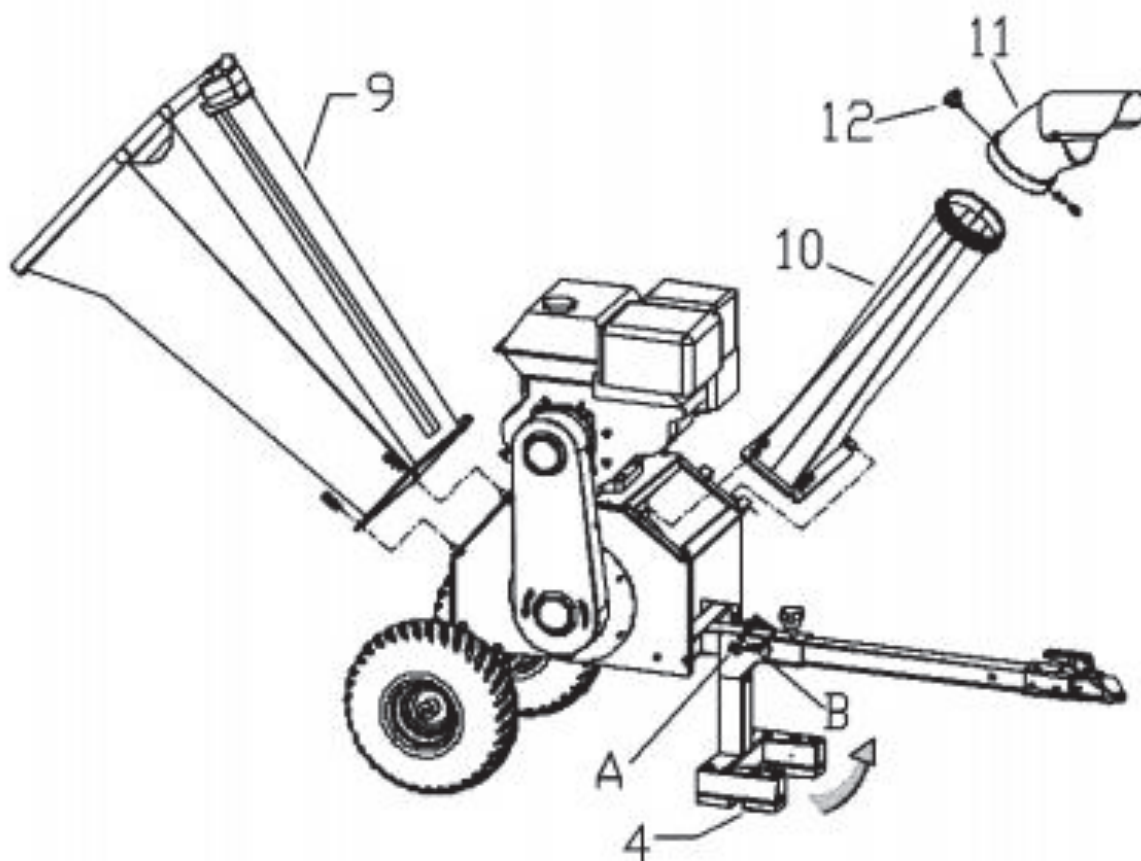
Assembly



Number	1	2	3	4	5	6	7	8
Part	Drum Housing	Wheel	Axle Stand	Support Leg	Tow Bar Joint	Tow Bar	Locking Knob	Safety Pin

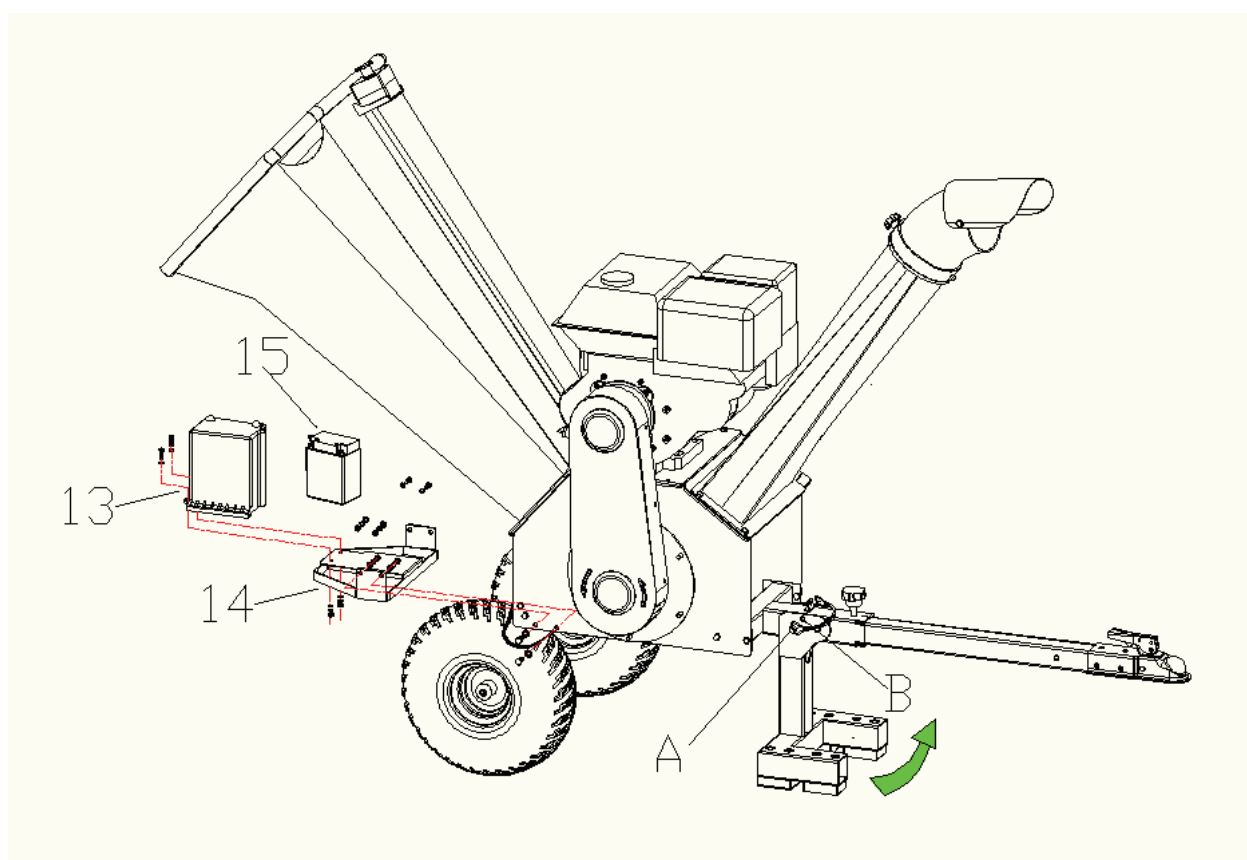
Installation Procedure:

1. Lay the Drum Housing (1) on a small platform. Make sure it has space on the sides for installation of the wheels (2) and support leg (4).
2. Attach wheels (2) to axle stand (3) and use the proper nuts to secure.
3. Attach wheels (2) with axle stand (3) to the drum housing (1) using proper bolts and nuts.
4. Install the tow bar joint (5) to drum housing (1) using proper bolts and nuts.
5. Attach support leg (4) to tow bar joint (5) using bolt and nut and safety pin (8).
6. Tow bar (6) attaches to tow bar joint (5) and use locking knob (7) to secure.
7. Remove from platform.



Number	9	10	11	12
Part	Entry Chute	Exit Chute	Adjustable diverter	Set Knob

10. Attach the hinge of the entry chute (9) to the hinge on the drum housing (1). Use wing nuts or hex nuts to secure.
11. Attach the hinge of the exit chute (10) to the hinge on the drum housing (1). Use wing nuts or hex nuts to secure.
12. Attach adjustable diverter (11) to top of exit chute (10) and use set knob (12) to secure.



Number	13	14	15
Part	battery cover	Battery pedestal	battery

13. Battery into battery cover first then slide onto battery pedestal under feed chute.