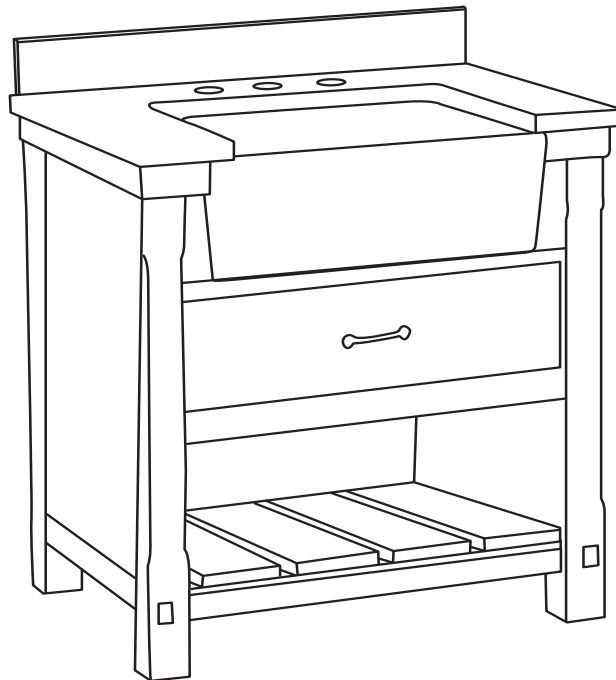


USE AND CARE GUIDE

Wellford 30 in. Single Vanity Combo



Questions, problems, missing parts? Before returning to the store,
call Home Decorators Collection Customer Service
8 a.m. – 7 p.m., EST, Monday – Friday, 9 a.m. – 6 p.m., EST, Saturday

1-800-998-7021

HOMEDEPOT.COM/HOMEDECORATORS

THANK YOU

We appreciate the trust and confidence you have placed in Home Decorators Collection through the purchase of this vanity combo.

We strive to continually create quality products designed to enhance your home.

Visit us online to see our full line of products available for your home improvement needs. Thank you for choosing Home Decorators Collection!

Table of Contents

Table of Contents	2	Installation	4
Safety Information	2	Maintenance	5
Warranty	2	Care and Cleaning	5
Pre-installation	3	Troubleshooting	5
Planning Installation	3	Service Parts	6
Package Contents	3		
Hardware Contents	3		
Tool Required	3		

Safety Information



WARNING: Two people are required for safe installation. Take extra precautionary measures to ensure a secure grip on the vanity base and vanity top when lifting.



CAUTION: Do not use water that exceeds temperatures of 140°F/46°C.



CAUTION: The bathroom floor and wall must be finished prior to installation of the vanity combo.



CAUTION: Do not place any sharp or abrasive objects on the bare surface.

Warranty

The manufacturer provides a one year limited warranty for residential use that the vanity combo will be free from manufacturing defects, provided the original purchaser resides in or owns the home of installation, and provided the vanity combo is installed and maintained according to the installation and maintenance instructions contained within and supplied by the manufacturer. The liability will be limited to cost of products only. This warranty is in lieu of any other express warranties. This warranty applies only to the original purchaser. This warranty does not apply to any damage on the product by accident, misuse, or modified, improper installation or by affixing accessories not produced by the manufacturer. There is no further expressed warranty. The manufacturer shall not be legally responsible for incidental, consequential or special damages arising at or in connection with product use or performance except as may otherwise be accorded by law. The manufacturer disclaims any and all implied warranties.

Pre-Installation

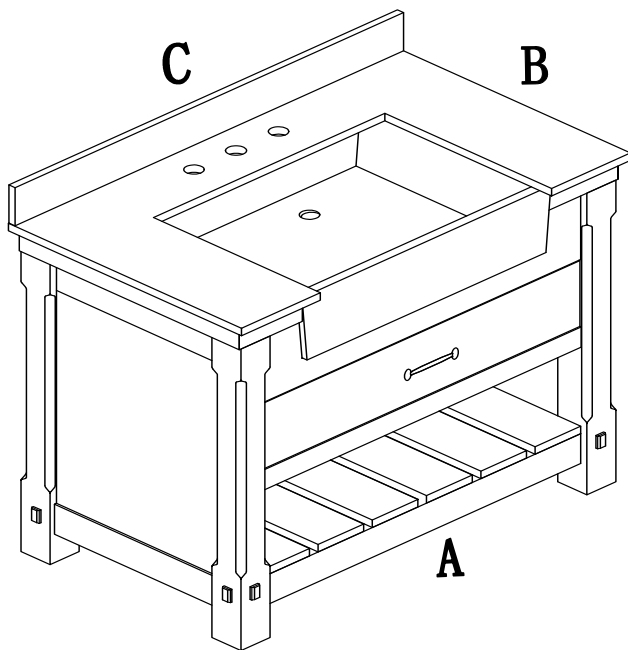
PLANNING INSTALLATION

To ensure your installation goes smoothly, please read these instructions carefully and review the recommended tools and hardware before you begin.

To remove the previous or original vanity (if applicable): 1) Turn off the water supply and drain out. 2) Disconnect the supply lines from the faucet. 3) Remove the previous or original vanity top and vanity. If the new vanity is not installed immediately, temporarily stuff a rag into the drain pipes.

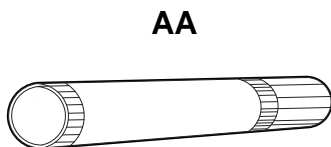
Using a level, locate any uneven floor and/or wall areas where your vanity will be installed. Unevenness can cause your vanity to become misaligned resulting in twisting of the cabinet. Repair any uneven areas by reducing high spots or shimming low spots.

PACKAGE CONTENTS



Part	Description	Quantity
A	Vanity	1
B	Top (pre assembled to Vanity (A))	1
C	Backsplash	1

HARDWARE CONTENTS



Touch-Up Pen
Qty: 1

TOOL REQUIRED

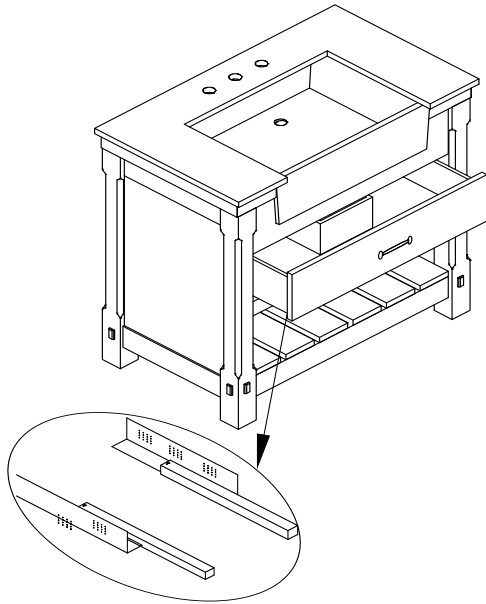


Sealant

Installation

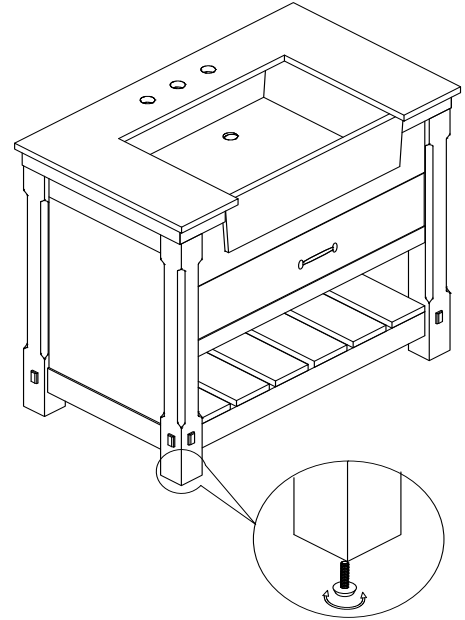
1 Vanity Drawer Removal

- Open the preassembled drawer as far as possible.
- Simultaneously press the plastic cards on the bottom of drawer left side and right side inward.
- Once both plastic cards are held in the indicated position, pull the drawer straight out.



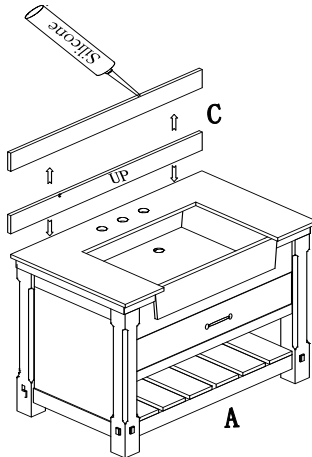
2 Adjustable Level

- In case of uneven floors, floor levelers are provided at the bottom of the vanity. If necessary, adjust floor levelers by hand to correct tilting and/or level doors.



3 Backsplash Installation

- To mount the backsplash (C) to the wall, apply a thin bead of silicone compound (not included) to the unpolished back side and bottom of the backsplash (C). Position backsplash (C) as shown onto vanity top (A) and against the wall. Clean any excess silicone compound before allowing to dry.



Maintenance

- To maintain the beauty of the furniture finish, avoid placing the vanity combo in direct sunlight.
- Avoid exposing the vanity combo to extreme temperature by installing away from heat and air vents.

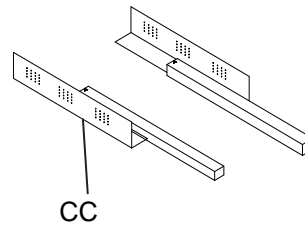
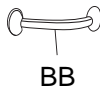
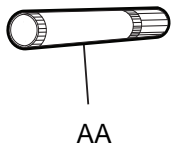
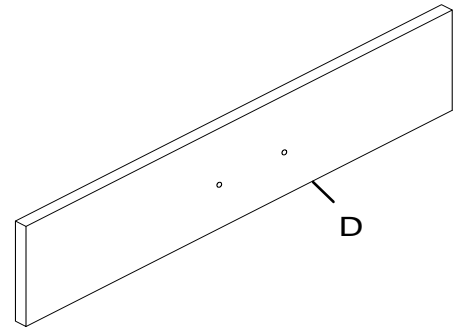
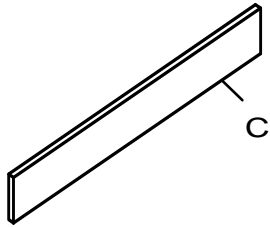
Care and Cleaning

- Dust frequently with a clean, soft and dry cloth.
- Wipe away any water or liquid spills on the vanity combo immediately with a clean soft and dry cloth.
- Clean the vanity top only with non-abrasive cleaners or mild detergents - do not use powder cleansers. For extremely stubborn stains, use a small amount of acetone on a cloth and gently rub out the stain.
- Tips for using touch-up pen (AA): For scratches, stroke in direction of scratch. Rub off excess colorant promptly with a soft cloth.

Troubleshooting

Problem	Possible Cause	Corrective Action
Vanity doors rub against another surface.	The floor is not level.	<ul style="list-style-type: none">□ Adjust the leg levelers to ensure the vanity combo is level.□ Adjust the door hinges.

Service Parts



Part	Description	Quantity
C	Backslash	1
D	Drawer front panel	1
AA	Touch-up pen	1

Part	Description	Quantity
BB	Handle	1
CC	Soft glide track set	1

HOME
DECORATORS
COLLECTION®

Questions, problems, missing parts? Before returning to the store,
call Home Decorators Collection Customer Service
8 a.m. – 7 p.m., EST, Monday – Friday, 9 a.m. – 6 p.m., EST, Saturday

1-800-998-7021

[HOMEDEPOT.COM/HOMEDECORATORS](https://www.homedepot.com/homedecorators)



IMPORTANT HEALTH NOTICE

SOME OF THE BUILDING MATERIALS USED IN THIS HOME (OR THESE BUILDING MATERIALS) EMIT FORMALDEHYDE. EYE, NOSE, AND THROAT IRRITATION, HEADACHE, NAUSEA AND A VARIETY OF ASTHMA-LIKE SYMPTOMS, INCLUDING SHORTNESS OF BREATH, HAVE BEEN REPORTED AS A RESULT OF FORMALDEHYDE EXPOSURE. ELDERLY PERSONS AND YOUNG CHILDREN, AS WELL AS ANYONE WITH A HISTORY OF ASTHMA, ALLERGIES, OR LUNG PROBLEMS, MAY BE AT GREATER RISK. RESEARCH IS CONTINUING ON THE POSSIBLE LONG-TERM EFFECTS OF EXPOSURE TO FORMALDEHYDE.

REDUCED VENTILATION MAY ALLOW FORMALDEHYDE AND OTHER CONTAMINANTS TO ACCUMULATE IN THE INDOOR AIR. HIGH INDOOR TEMPERATURES AND HUMIDITY RAISE FORMALDEHYDE LEVELS, WHEN A HOME IS TO BE LOCATED IN AREAS SUBJECT TO EXTREME SUMMER TEMPERATURES, AN AIR-CONDITIONING SYSTEM CAN BE USED TO CONTROL INDOOR TEMPERATURE LEVELS. OTHER MEANS OF CONTROLLED MECHANICAL VENTILATION CAN BE USED TO REDUCE LEVELS OF FORMALDEHYDE AND OTHER INDOOR AIR CONTAMINANTS.

IF YOU HAVE ANY QUESTIONS REGARDING THE HEALTH EFFECTS OF FORMALDEHYDE, CONSULT YOUR DOCTOR OR LOCAL HEALTH DEPARTMENT.