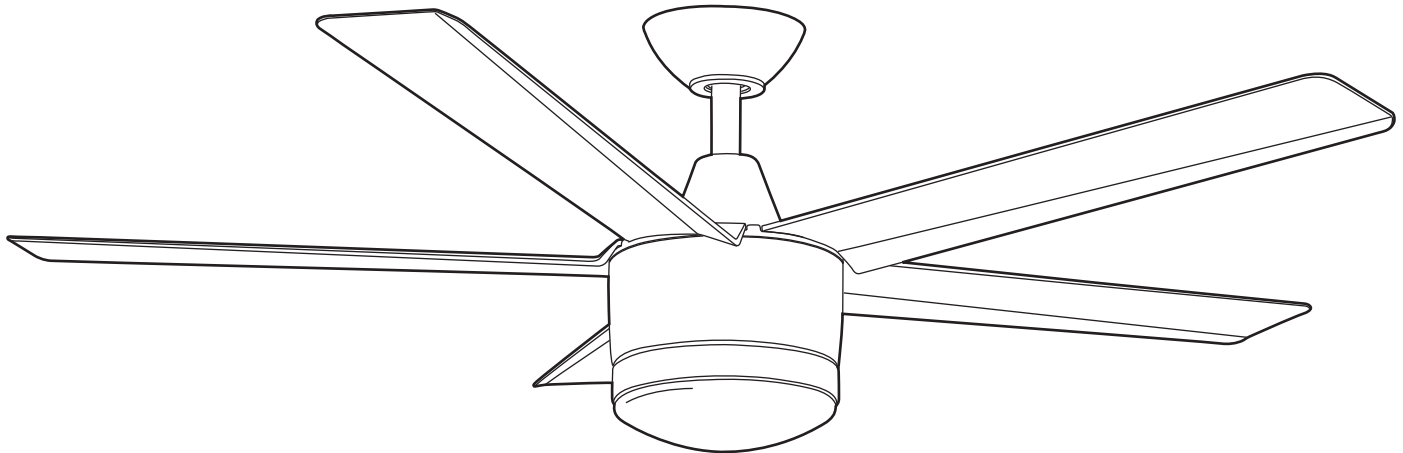


# USE AND CARE GUIDE

---

## MERWRY LED 52 INCH CEILING FAN



Questions, problems, missing parts? Before returning to the store,  
call Home Decorators Collection Customer Service  
8 a.m. - 6 p.m., EST, Monday-Friday

1-800-986 3460

[HOMEDEPOT.COM/HOMEDECORATORS](http://HOMEDEPOT.COM/HOMEDECORATORS)

---

**THANK YOU**

*We appreciate the trust and confidence you have placed in Home Decorators Collection through the purchase of this ceiling fan. We strive to continually create quality products designed to enhance your home. Visit us online to see our full line of products available for your home improvement needs. Thank you for choosing Home Decorators Collection!*

# Table of Contents

---

<b>Table of Contents</b> .....	<b>2</b>
<b>Safety Information</b> .....	<b>3</b>
<b>Warranty</b> .....	<b>4</b>
<b>Pre-installation</b> .....	<b>4</b>
Specifications .....	4
Tools Required .....	4
Hardware Included .....	5
Package Contents .....	6
<b>Installation</b> .....	<b>7</b>
<b>Assembly</b> .....	<b>8</b>
Attaching the Fan Blades .....	8
Hanging the Fan .....	8
Installing the Light Kit .....	13
<b>Operation</b> .....	<b>14</b>
Remote Control Operating Instructions .....	14
Reverse Function Button Operating Instructions.....	14
Installing the Remote Control Holder .....	15
<b>Care and Cleaning</b> .....	<b>15</b>
<b>Troubleshooting</b> .....	<b>16</b>
<b>Service Parts</b> .....	<b>17</b>

# Safety Information

- Read and save these instructions.
- To reduce the risk of electric shock, ensure electricity has been turned off at the circuit breaker or fuse box before beginning.
- All wiring must be in accordance with the National Electrical Code “ANSI/NFPA 70-1999” and local electrical codes. Electrical installation should be performed by a qualified licensed electrician.
- The outlet box and support structure must be securely mounted and capable of reliably supporting a minimum of 35 lbs. Use only UL Listed outlet boxes marked “FOR FAN SUPPORT.”
- The fan must be mounted with a minimum of 7 ft. clearance from the trailing edge of the blades to the floor.
- To avoid personal injury or damage to the fan and other items, be cautious when working around or cleaning the fan.
- Do not use water or detergents when cleaning the fan or fan blades. A dry dust cloth or lightly dampened cloth will be suitable for most cleaning.
- After making electrical connections, spliced conductors should be turned upward and pushed carefully up into the outlet box. The wires should be spread apart with the grounded conductor and the equipment-grounding conductor on one side of the outlet box and ungrounded conductor on the other side of the outlet box.
- All setscrews must be checked and retightened where necessary before installation.
- This device complies with Part 15 of the FCC Rules. Operation is subject to the following two conditions: (1) This device may not cause harmful interference, and (2) This device must accept any interference received, including interference that may cause undesired operation.



**WARNING:** To reduce the risk of electrical shock or fire, do not use this fan with any solid-state fan speed control device. It will permanently damage the electronic circuitry.



**WARNING:** To reduce the risk of personal injury, do not bend the blade arms (also referred to as flanges), when installing the brackets, balancing the blades, or cleaning the fan.



**WARNING:** Do not insert foreign objects between rotating fan blades.



**WARNING:** To reduce the risk of fire, electric shock, or personal injury, mount the fan to the outlet box marked acceptable for fan support with the screws provided with the outlet box.



**CAUTION:** To reduce the risk of personal injury, use only the screws provided with the outlet box.



**WARNING:** Changes or modifications to this unit not expressly approved by the party responsible for compliance could void the user's authority to operate the equipment.



**NOTE:** This equipment has been tested and found to comply with the limits for a Class B digital device, pursuant to Part 15 of the FCC Rules. These limits are designed to provide reasonable protection against harmful interference in a residential installation. This equipment generates, uses and can radiate radio frequency energy and, if not installed and used in accordance with the instructions, may cause harmful interference to radio communications. However, there is no guarantee that interference will not occur in a particular installation. If this equipment does cause harmful interference to radio or television reception, which can be determined by turning the equipment off and on, the user is encouraged to try to correct the interference by one or more of the following measures: Reorient or relocate the receiving antenna. Increase the separation between the equipment and receiver. Connect the equipment into an outlet on a circuit different from that to which the receiver is connected. Consult the dealer or an experienced radio/TV technician for help.

# Warranty

We warrant the fan motor to be free from defects in workmanship and material present at time of shipment from the factory for a period of lifetime after the date of purchase by the original purchaser. We also warrant that all other fan parts, excluding any glass or acrylic blades, to be free from defects in workmanship and material at the time of shipment from the factory for a period of two year after the date of purchase by the original purchaser. We agree to correct such defects without charge or at our option replace with a comparable or superior model if the product is returned. To obtain warranty service, you must present a copy of the receipt as proof of purchase. All costs of removing and reinstalling the product are your responsibility. Damage to any part such as by accident, misuse, improper installation or by affixing any accessories, is not covered by this warranty. Because of varying climatic conditions this warranty does not cover any changes in brass finish, including rusting, pitting, corroding, tarnishing or peeling. Brass finishes of this type give their longest useful life when protected from varying weather conditions. A certain amount of "wobble" is normal and should not be considered a defect. Servicing performed by unauthorized persons shall render the warranty invalid. There is no other express warranty. We hereby disclaim any and all warranties, including but not limited to those of merchantability and fitness for a particular purpose to the extent permitted by law. The duration of any implied warranty which cannot be disclaimed is limited to the time period as specified in the express warranty. Some states do not allow limitation on how long an implied warranty lasts, so the above limitation may not apply to you. The retailer shall not be liable for incidental, consequential, or special damages arising out of or in connection with product use or performance except as may otherwise be accorded by law. Some states do not allow the exclusion of incidental or consequential damages, so the above exclusion or limitation may not apply to you. This warranty gives specific legal rights, and you may also have other rights which vary from state to state. This warranty supersedes all prior warranties. Shipping costs for any return of product as part of a claim on the warranty must be paid by the customer.

Contact the Customer Service Team at 1-800-986 3460 or visit [www.HOMEDEPOT.COM/HOMEDECORATORS](http://www.HOMEDEPOT.COM/HOMEDECORATORS)

# Pre-Installation

## SPECIFICATIONS

Fan size	Speed	Volts	Amps	Watts	RPM	CFM	N.W.	G.W.	C.F.
52 in.	Low	120	0.23	14	95	2383	7.19 kg (15.82 lb)	8.33 kg (18.33lb)	1.52 ft.
	Medium		0.33	28	138	3627			
	High		0.44	52	185	5212			



**NOTE:** These are approximate measures. They do not include amps and wattage used by the light kit.



Intertek

## TOOLS REQUIRED

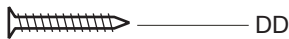
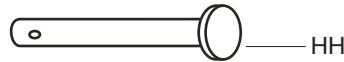
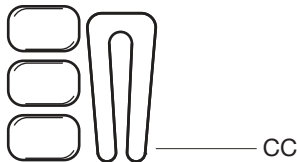
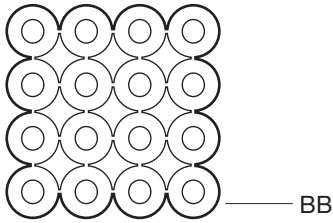


# Pre-Installation (continued)

## HARDWARE INCLUDED



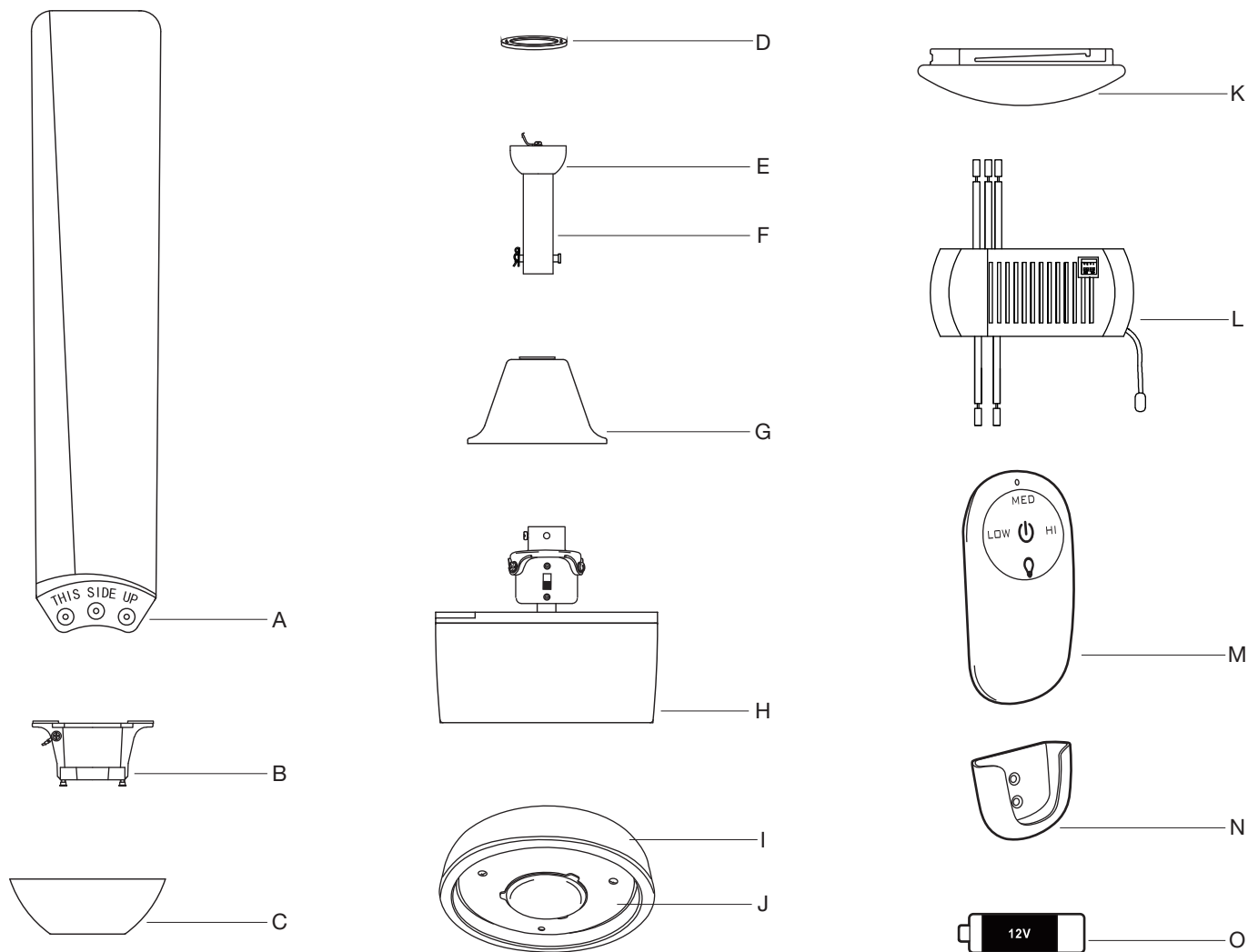
**NOTE:** Hardware shown to actual size unless noted otherwise in the table below.



Part	Description	Quantity
AA	Blade screw	16
BB	Fiber washer (not to scale)	16
CC	Balance kit (not to scale)	1
DD	Remote control holder mounting screws	2
EE	Wire nuts	6
FF	Cross pin (not to scale) (preassembled)	1
GG	Hitch pin (preassembled)	1
HH	Lock pin (not to scale) (preassembled)	1
II	Hanger ball set screw (preassembled)	1
JJ	Fan motor assembly coupling set screw (preassembled)	2
KK	Mounting bracket screw (preassembled)	2
LL	Fan motor assembly mounting ring screw (preassembled)	3
MM	Light kit plate screw (preassembled)	3

# Pre-Installation (continued)

## PACKAGE CONTENTS



Part	Description	Quantity
A	Blade	5
B	Mounting bracket	1
C	Canopy	1
D	Canopy cover	1
E	Hanger ball (preassembled)	1
F	Downrod (preassembled)	1
G	Coupling cover	1
H	Fan motor assembly	1

Part	Description	Quantity
I	Light kit plate (preassembled)	1
J	17-W LED assembly (preassembled)	1
K	Glass shade	1
L	Receiver	1
M	Remote control	1
N	Remote control holder	1
O	12V Battery	1

# Installation

## MOUNTING OPTIONS



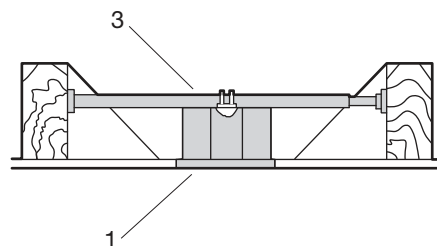
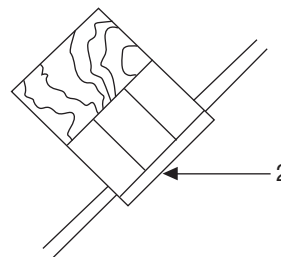
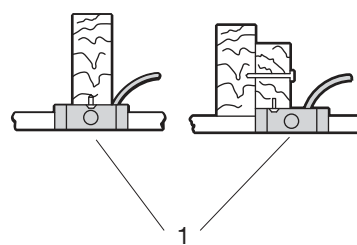
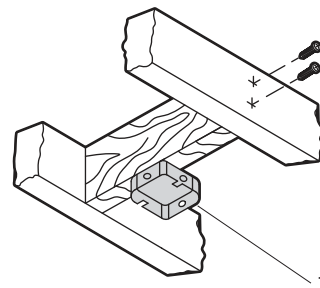
**WARNING:** To reduce the risk of fire, electric shock, or personal injury, mount the fan to an outlet box marked acceptable for fan support using the screws provided with the outlet box. An outlet box commonly used for the support of lighting fixtures may not be acceptable for fan support and may need to be replaced. If in doubt, consult a qualified electrician.

If your ceiling fan does not have an existing UL-listed mounting box, then install one using the following instructions:

- Disconnect the power by removing the fuses or turning off the circuit breakers.
- Secure the outlet box (1) (not included) directly to the building structure. Use appropriate fasteners and materials (not included). The outlet box and its bracing must be able to fully support the weight of the moving fan (at least 35 lbs.). Do not use a plastic outlet box.
- The illustrations to the right show three different ways to mount the outlet box (not included).
- To hang your fan where there is an existing fixture but no ceiling joist, you may need an installation hanger bar (3) (not included), as shown.



**NOTE:** You may need a longer downrod to maintain proper blade clearance when installing on a steep, sloped ceiling. The maximum angle allowable is 18°. If the canopy touches the downrod, remove the decorative canopy bottom cover and turn the canopy 180° before attaching the canopy to the mounting plate (2).



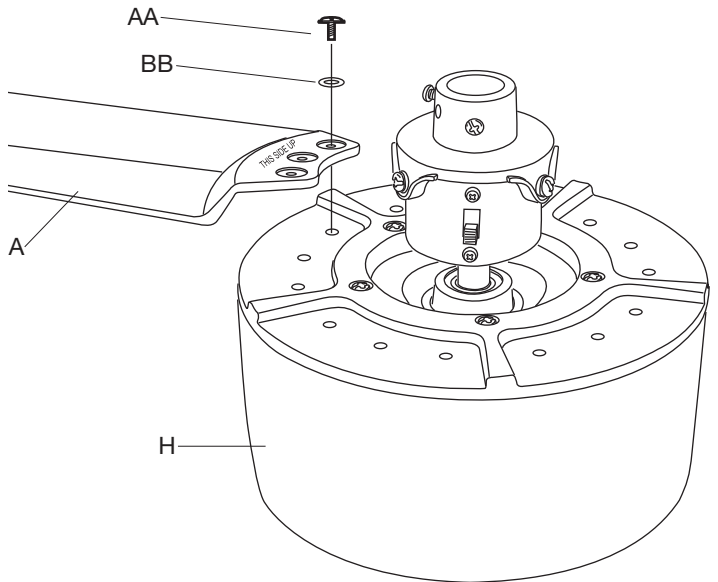
# Assembly – Attaching the Fan Blade

## 1 Attaching the fan blade to the fan assembly

- Attach the five fan blades (A) to the fan motor assembly (H) using the blade screws (AA) and fiber washers (BB), three for each blade. Tighten all screws securely.



**NOTE:** When installing the blades, ensure the sides with “THIS SIDE UP” face the ceiling.



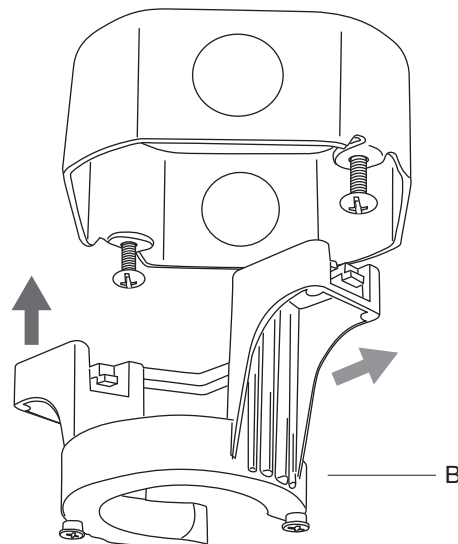
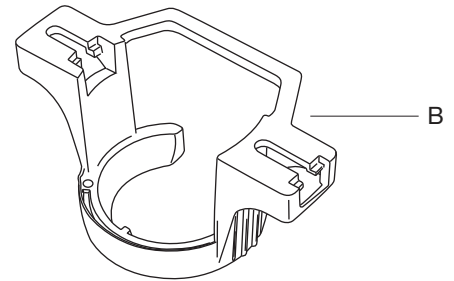
# Assembly – Hanging the Fan

## 2 Attaching the mounting bracket to the electrical box



**WARNING:** To reduce the risk of fire, electric shock, or other personal injury, mount the fan only to an outlet box or supporting system marked acceptable for fan support, and use the mounting screws provided with the outlet box.

- Place the slots from mounting bracket (B) over the two screws provided with the outlet box. Slide the mounting bracket (B) until it locks in place at the narrow section of the slots.
- Securely tighten the two mounting screws.

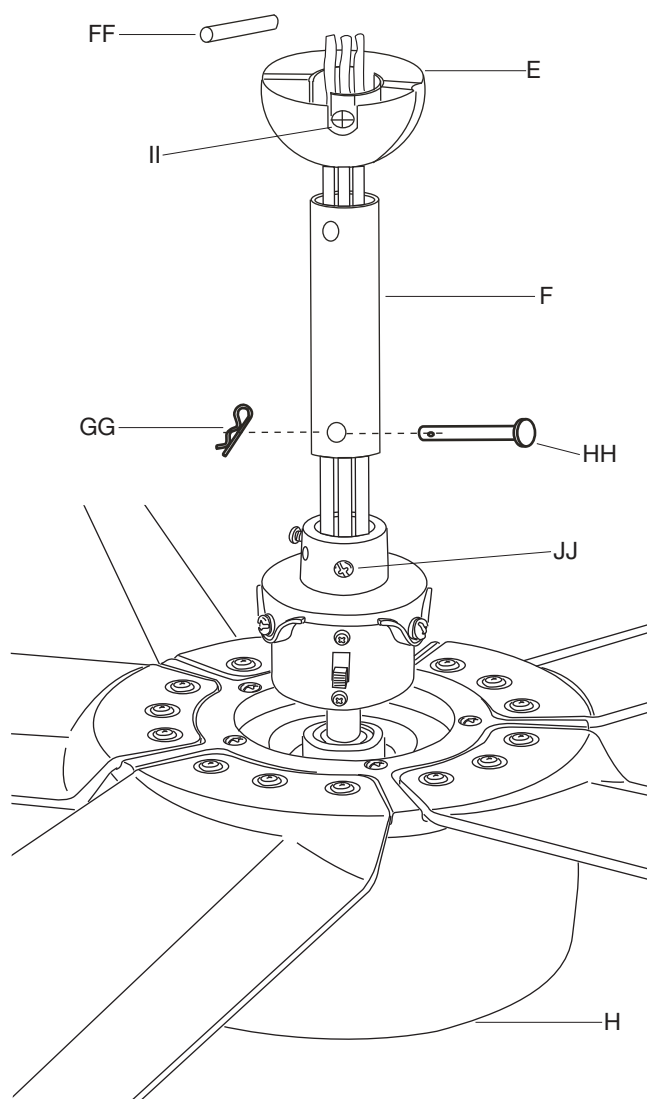




## Assembly – Hanging the Fan (continued)

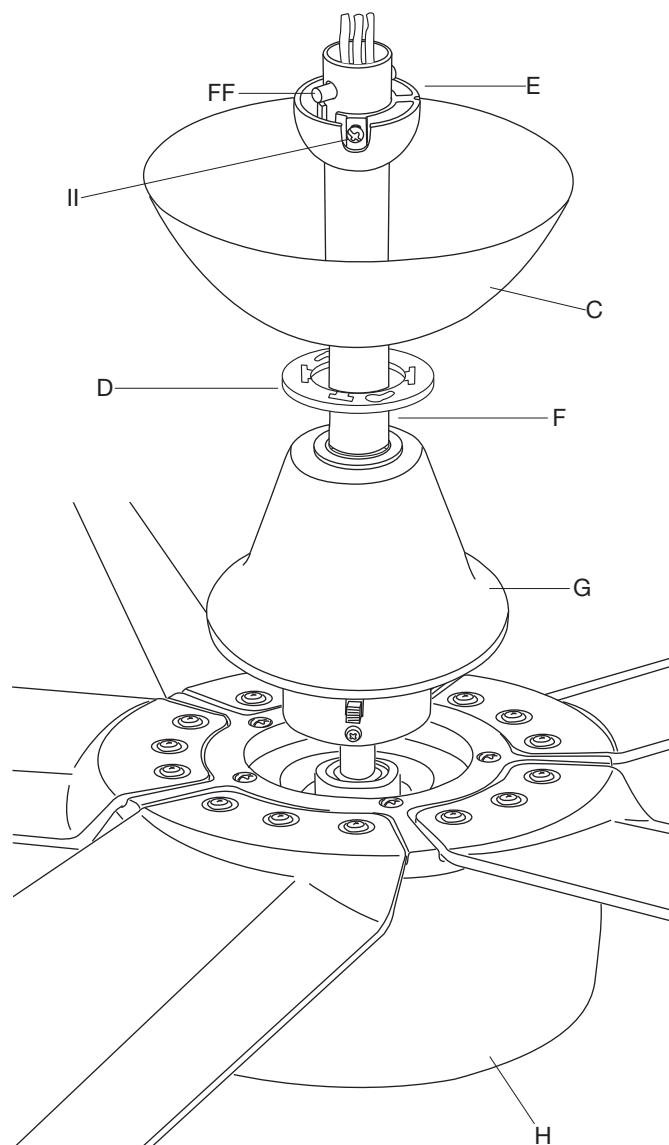
### 3 Attaching the downrod to the fan motor assembly

- Loosen the two set screws (JJ) from the fan motor assembly (H) coupling.
- Remove the hitch pin (GG) and lock pin (HH) from the downrod (F). Then, remove the hanger ball (E) from the downrod (F) by loosening the hanger ball set screw (II), and removing the cross pin (FF), then sliding the hanger ball (E) off of the downrod (F).
- Carefully feed the fan wires up through the downrod (F). Thread the downrod (F) into the fan motor assembly (H) coupling. Line up the holes and replace the lock pin (HH) and the hitch pin (GG). Retighten the set screws (JJ).



### 4 Attaching the coupling cover, canopy cover, and canopy to the downrod

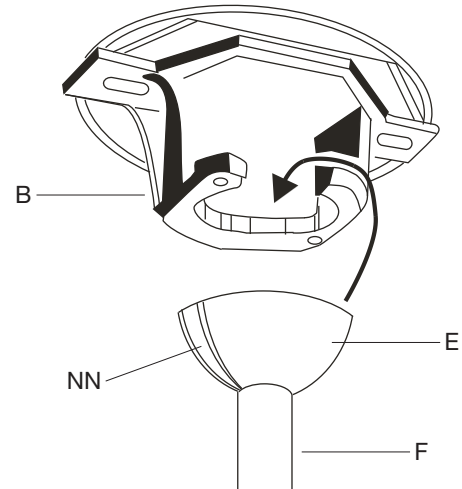
- Slip the coupling cover (G), canopy cover (D), and canopy (C) onto the downrod (F).
- Carefully reinstall the hanger ball (E) onto the downrod (F), and ensure that the cross pin (FF) is in the correct position, the set screws (II) are tight, and the wires are not twisted.



## Assembly – Hanging the Fan (continued)

### 5 Hanging the fan motor assembly from the mounting bracket

- Lift the fan motor assembly (H) into position, and place the hanger ball (E) into the mounting bracket (B). Rotate the fan motor assembly (H) until the check groove drops into the registration slot (NN) and seats firmly. The downrod (F) should not rotate if this is done correctly.



### 6 Preparing the receiver and remote control



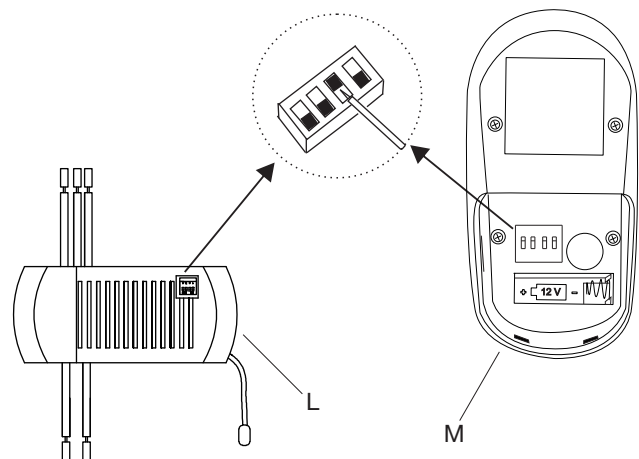
**WARNING:** To avoid possible electrical shock, ensure the electricity is turned off at the main fuse box before wiring.



**CAUTION:** Do not use with a wall light dimmer switch.

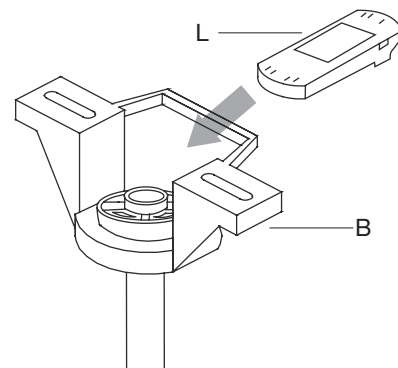


**NOTE:** If you feel you do not have enough electrical wiring knowledge or experience, have your fan installed by a licensed electrician.



This remote control unit is equipped with 16 code combinations to prevent possible interference from or to other remote units. The frequency switches on your receiver (L) and remote control (M) have been preset at the factory. Please recheck to make sure the switches on the remote control (M) and the receiver (L) are set to the same position. Any combination of settings will operate the fan as long as the remote control (M) and receiver (L) are set to the same position.

- Insert the receiver (L) into the mounting bracket (B) with the flat side of the receiver (L) facing the ceiling.



# Assembly – Hanging the Fan (continued)

## 7 Making the electrical connections



**WARNING:** To avoid possible electrical shock, ensure the electricity is turned off at the circuit breaker or main fuse box before wiring.



**WARNING:** Check to see that all connections are tight, including the ground, and that no bare wire is visible at the wire nuts, except for the ground wire.

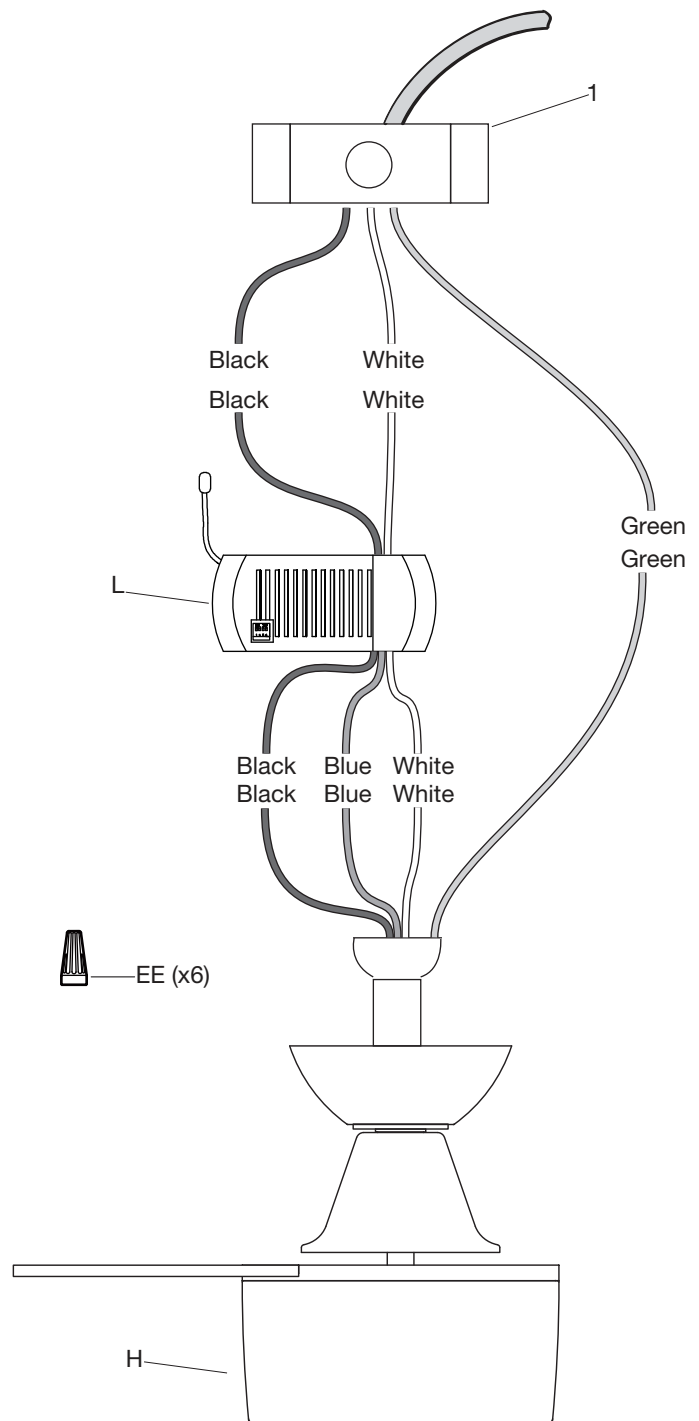
Follow the steps below to connect the fan to your house supply wires. Secure the wire nuts (EE) supplied with your fan by wrapping the connections with electrical tape.

### Motor to receiver electrical connections:

- Connect the black wire from the fan to the black wire marked "TO MOTOR L" from the receiver (L).
- Connect the white wire from the fan to the white wire marked "TO MOTOR N" from the receiver (L).
- Connect the blue wire from the fan to the blue wire marked "For Light" from the receiver (L).

### Receiver to house supply wires electrical connections:

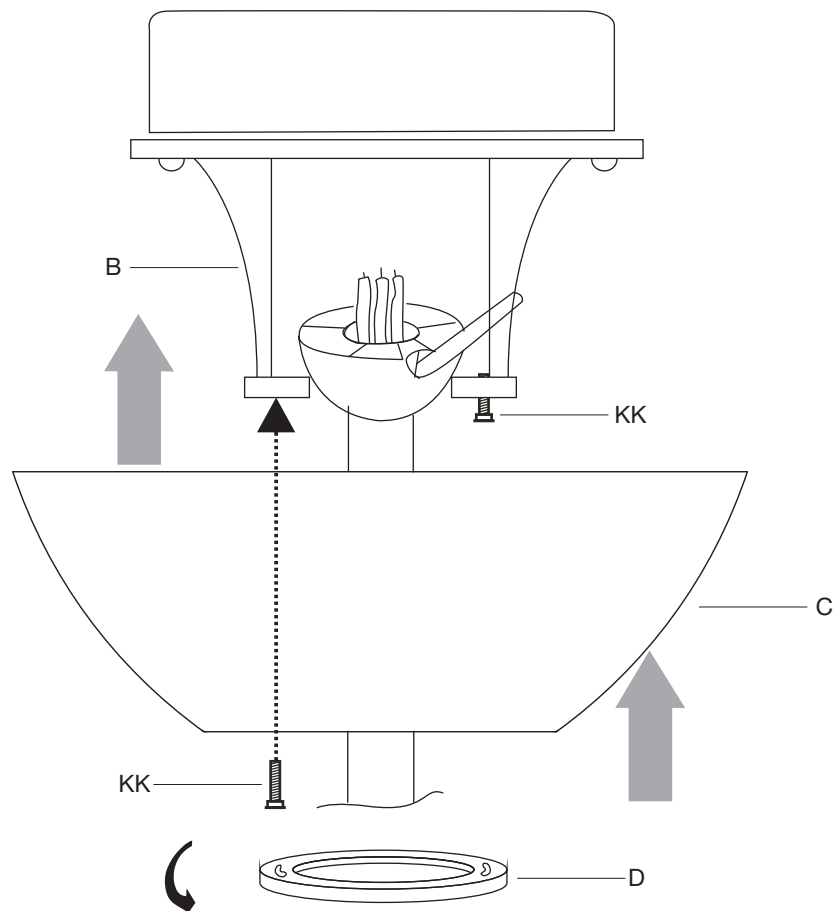
- Connect the black (hot) wire from the ceiling to the black wire marked "AC in L" from the receiver (L).
- Connect the white (neutral) wire from the ceiling to the white wire marked "AC in N" from the receiver (L).
- If your outlet box (1) has a ground wire (green or bare copper), connect it to the fan ground wires; otherwise, connect the hanging ball (E) ground wire to the mounting bracket (B).
- Secure the wire connection with a plastic wire nut (EE) provided with the electrical hardware.
- After connecting the wires, spread them apart so that the green and white wires are on one side of the outlet box (1) and the black and blue wires are on the other side. Carefully tuck the wire connections up into the outlet box (1).



## Assembly — Hanging the Fan (continued)

### 8 Securing the fan motor assembly to the mounting bracket

- Remove one screw (KK) from the mounting bracket (B) and loosen the other screw (KK) approximately 1/4 turn.
- Carefully raise the canopy (C) up to the mounting bracket (B), and ensure the loosened screw (KK) is inserted into the key hole on the canopy (C). Rotate the canopy (C) clockwise.
- Secure the canopy (C) by replacing the screw (KK) previously removed and tightening the screw (KK) previously loosened.
- Place the canopy cover (D) on the canopy (C), and rotate the canopy cover (D) clockwise until it locks into position.



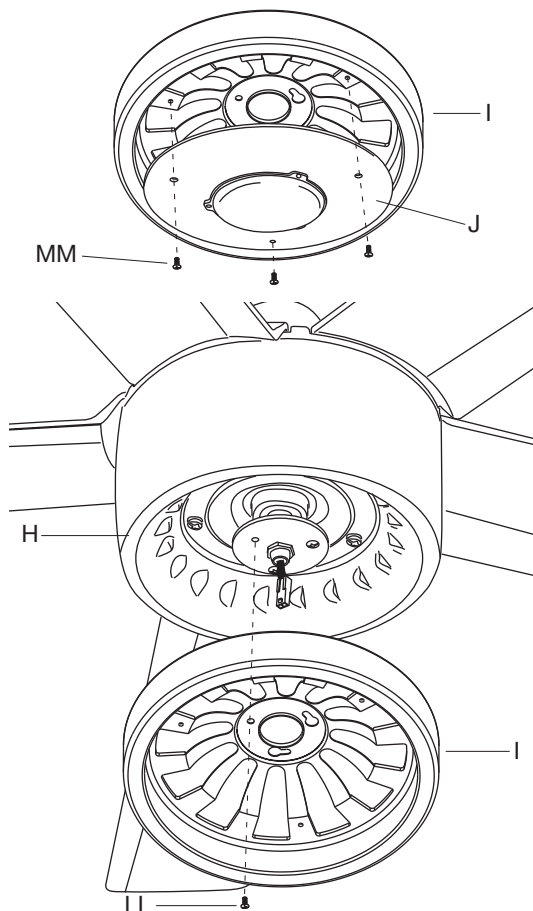
# Assembly – Installing the Light Kit

## 9 Installing the light kit plate



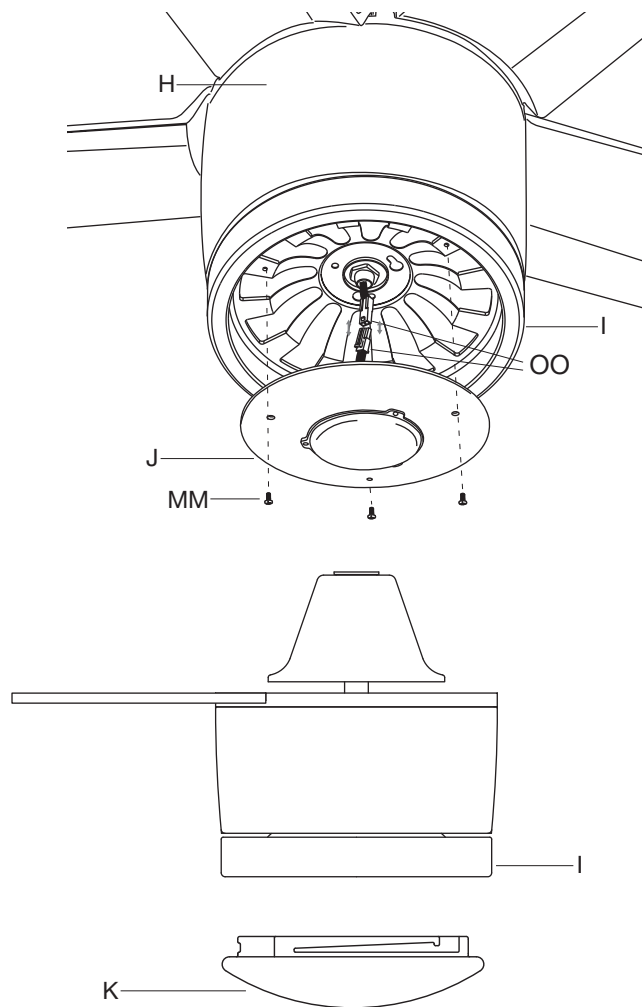
**CAUTION:** To reduce the risk of electric shock, disconnect the electrical supply circuit to the fan before installing the light kit.

- Remove the 17-W LED assembly (J) from the light kit plate (I) by removing three light kit plate screws (MM). Set these screws (MM) aside for use later.
- Remove one of three screws (LL) from the fan motor assembly (H) mounting ring and loosen, but do not remove, the other two screws (LL).
- Place the key holes from the light kit plate (I) over the two screws (LL) previously loosened from the fan motor assembly (H) mounting ring. Turn the light kit plate (I) until it locks in place at the narrow section of the key holes. Secure by tightening the two screws (LL) previously loosened and the one screw (LL) previously removed.



## 10 Installing the 17-W LED assembly and glass shade

- While holding the 17W LED assembly (J) under your fan, firmly snap the wire connection plugs (OO) together.
- Position the 17W LED assembly (J) on the light kit plate (I) and ensure the screw holes are properly aligned.
- Secure the 17W LED assembly (J) by replacing the three screws (MM) previously removed. Tighten all screws securely.
- Attach the glass shade (K) to the light kit plate (I) by twisting tightly.



# Operation



## REMOTE CONTROL OPERATING INSTRUCTIONS

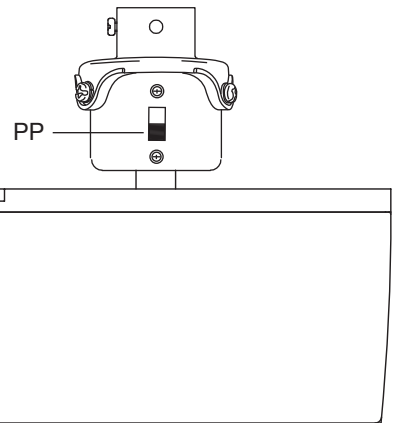
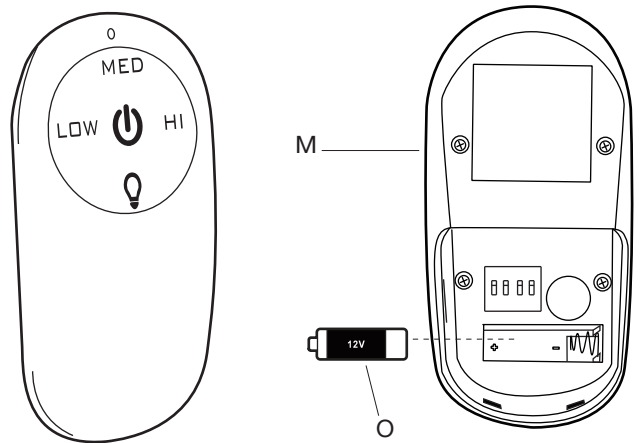
Install a 12V battery (O) into the remote control (M). To prevent damage to the remote control, remove the battery if not used for long periods of time.



**WARNING:** Do not short-circuit, disassemble, heat up, connect improperly, or dispose of used batteries in fire. Do not recharge or mix batteries with used or other battery types. Immediately remove used batteries.

Restore power to the ceiling fan and test for proper operation.

- HI, MED, LOW buttons: Sets the fan speed.
- “” button: Turns the fan off.
- “” button: Turns the light ON or OFF. Press and hold the button to set the desired brightness.



## REVERSE FUNCTION BUTTON OPERATING INSTRUCTIONS

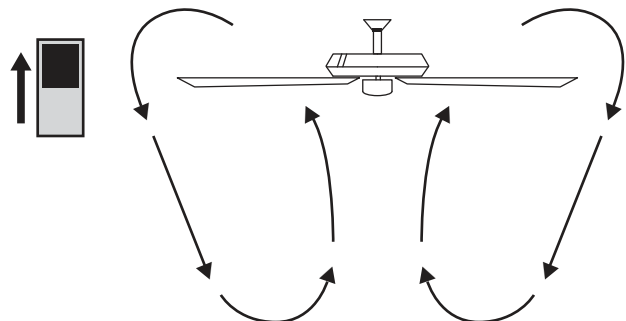
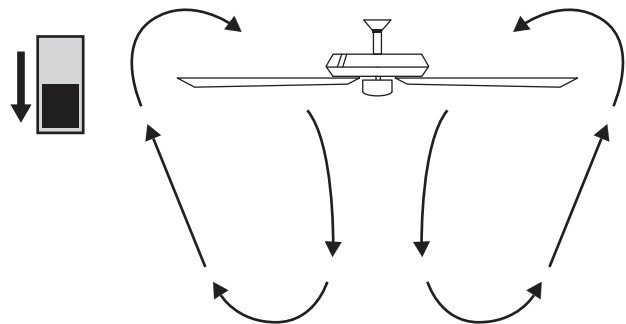
The reverse switch (PP) is located on the surface of the fan motor assembly. This switch controls directions: forward (switch down) or reverse (switch up).



**NOTE:** Wait for the fan to stop before reversing the direction of the blade rotation.

**Warm weather - (Counterclockwise Direction)** A downward air flow creates a cooling effect. This allows you to set your air conditioner on a warmer setting without affecting your comfort.

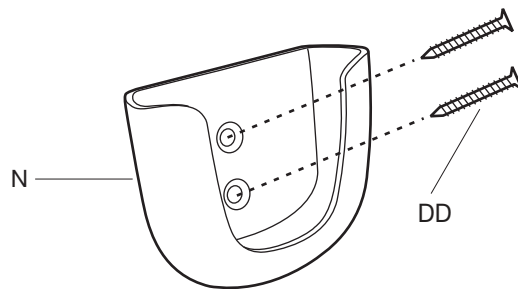
**Cool weather - (Clockwise Direction)** An upward air flow moves warm air off the ceiling. This allows you to set your heating unit on a cooler setting without affecting your comfort.



## Operation (continued)

### INSTALLING THE REMOTE CONTROL HOLDER

- Attach the remote control holder (N) with the two remote control holder mounting screws (DD).



## Care and Cleaning

### Do

- Check the support connections, brackets, and blade attachments twice a year. Ensure they are secure. Because of the fan's natural movement, some connections may become loose over time. It is not necessary to remove the fan from the ceiling.
- Clean your fan periodically. Use only a soft brush or lint-free cloth to avoid scratching the finish. The plating is sealed with a lacquer to minimize discoloration or tarnishing.
- (Optional) Apply a light coat of furniture polish to the wood blades.
- (Optional) Cover small scratches with a light application of shoe polish.

### Do not

- Do not use water when cleaning. Water could damage the motor, or the wood, or possibly cause an electrical shock.
- Do not apply oil to your fan or motor. The motor has permanently-lubricated sealed ball bearings.

# Troubleshooting

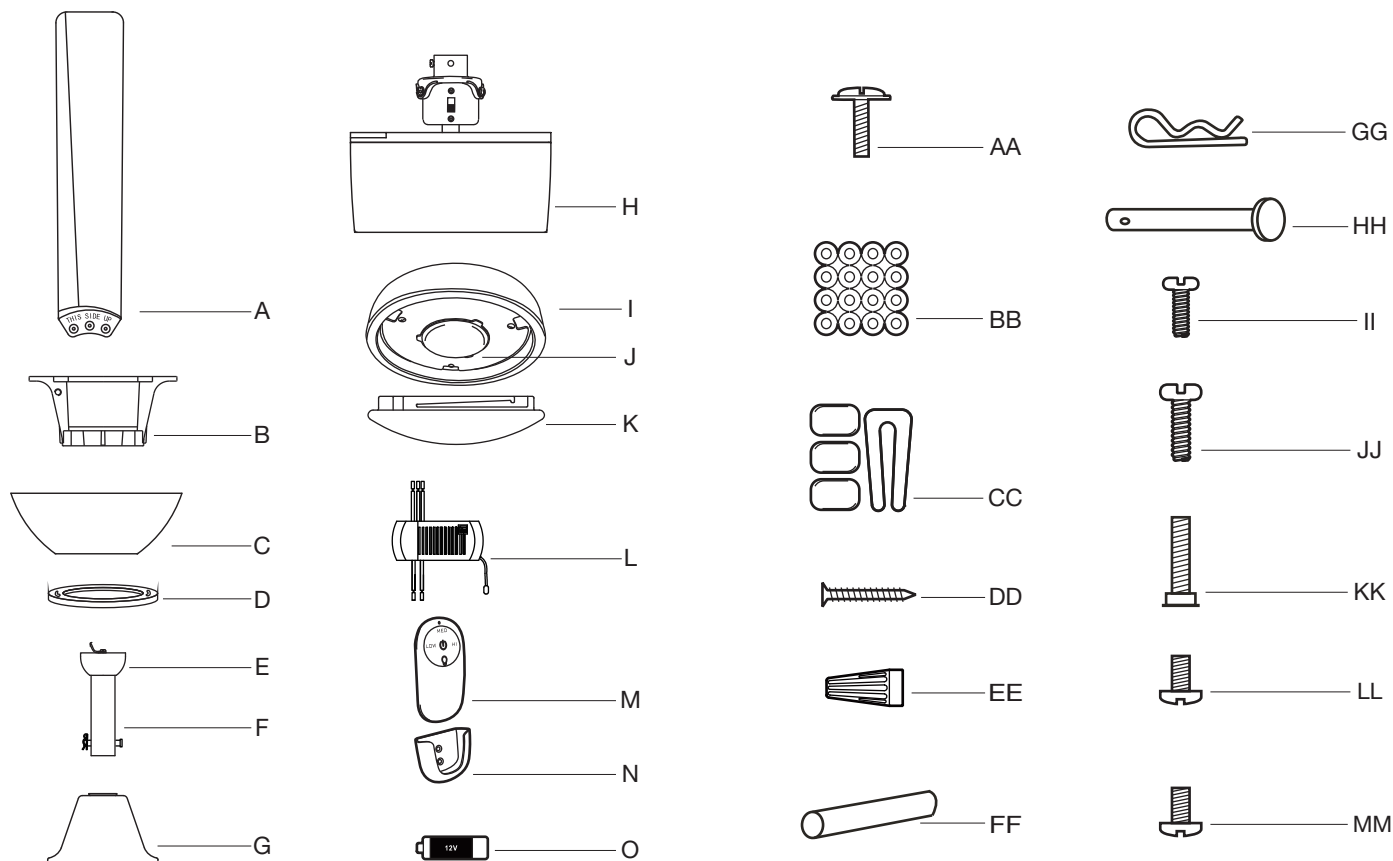


**WARNING:** Ensure the power is off at the electrical panel box before you attempt any repairs. Refer to the section "Making the Electrical Connections" on page 11.

Problem	Solution
The fan will not start.	<input type="checkbox"/> Check main and branch circuit fuses or breakers.
	<input type="checkbox"/> Check line wire connections to the fan and switch wire connections in the switch housing.
	<input type="checkbox"/> Check to make sure the dip switches from the remote control and receiver are set to the same frequency.
The fan sounds noisy.	<input type="checkbox"/> Make sure all motor housing screws are snug.
	<input type="checkbox"/> Make sure the screws that attach the fan blade arm to the motor hub are tight.
	<input type="checkbox"/> Make sure wire nut connections are not rattling against each other or the interior wall of the switch housing.
	<input type="checkbox"/> Allow a 24-hour "breaking-in" period. Most noises associated with a new fan disappear during this time.
	<input type="checkbox"/> If using the ceiling light kit, make sure the screws securing the glassware are tight. Check that the light bulb is also secure.
	<input type="checkbox"/> Make sure there is a short distance from the ceiling to the canopy. It should not touch the ceiling.
The remote control is not working.	<input type="checkbox"/> Do not connect the fan with wall mounted variable speed control(s).
	<input type="checkbox"/> Check to make sure the dip switches from the remote control and receiver are set to the same frequency.
The fan wobbles.	<input type="checkbox"/> Check that all blade and blade arm screws are secure.
	<input type="checkbox"/> Most fan wobble problems are caused when blade levels are unequal. Check this level by selecting a point on the ceiling above the tip of one of the blades. Measure from a point on the center of each blade to the point on the ceiling. Rotate the fan until the next blade is positioned for measurement. Repeat for each blade. Measurements deviation should be within 1/8 in. Run the fan for 10 minutes.
	<input type="checkbox"/> Use the enclosed blade balancing kit if the blade wobble is still noticeable.



# Service Parts



Part	Description
A	Blade
B	Mounting bracket
C	Canopy
D	Canopy cover
E	Hanger ball
F	Downrod
G	Coupling cover
H	Fan motor assembly
I	Light kit plate
J	17-W LED assembly
K	Glass shade
L	Receiver
M	Remote control
N	Remote control holder
O	12V Battery

Part	Description
AA	Blade screw
BB	Fiber washer
CC	Balance kit
DD	Remote control holder mounting screws
EE	Wire nuts
FF	Cross pin
GG	Hitch pin
HH	Lock pin
II	Hanger ball set screw
JJ	Fan motor assembly coupling set screw
KK	Mounting bracket screw
LL	Fan motor assembly mounting ring screw
MM	Light kit plate screw

# **HOME**

## **DECORATORS**

### **C O L L E C T I O N**

**Questions, problems, missing parts? Before returning to the store,  
call Home Decorators Collection Customer Service  
8 a.m. - 6 p.m., EST, Monday-Friday**

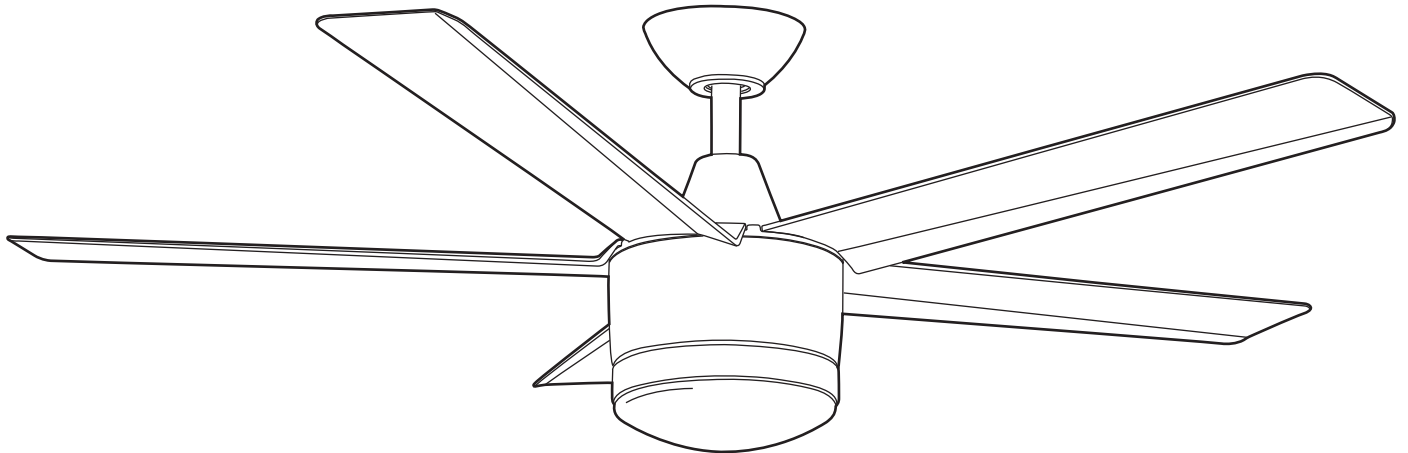
**1-800-986 3460**

**[HOMEDEPOT.COM/HOMEDECORATORS](http://HOMEDEPOT.COM/HOMEDECORATORS)**

**Retain this manual for future use.**

# GUÍA DE USO Y MANTENIMIENTO

## VENTILADOR DE TECHO MERWRY LED, DE 1,32 M



¿Preguntas, problemas o piezas faltantes? Antes de regresar a la tienda, llama al servicio al cliente de Home Decorators Collection, de lunes a viernes entre 8 a.m. y 6 p.m. (hora estándar del Este).

1-800-986 3460

[HOMEDEPOT.COM/HOMEDECORATORS](http://HOMEDEPOT.COM/HOMEDECORATORS)

**GRACIAS POR TU COMPRA**

*Apreciamos la confianza que has depositado en Home Decorators Collection al comprar este ventilador de techo. Nos esforzamos para continuamente crear productos de calidad diseñados para mejorar tu hogar. Visítanos por Internet para ver nuestra línea completa de productos disponibles para las necesidades de mejoras de tu hogar. ¡Gracias por elegir Home Decorators Collection!*

# Lista de Contenidos

---

<b>Lista de Contenidos</b> .....	<b>2</b>
<b>Información de Seguridad</b> .....	<b>3</b>
<b>Garantía</b> .....	<b>4</b>
<b>Instalación Previa</b> .....	<b>4</b>
Especificaciones .....	4
Herramienta Necesarias .....	4
Herramientas Incluidas .....	5
Contenidos de Paquete .....	6
<b>Instalación</b> .....	<b>7</b>
<b>Ensamblado</b> .....	<b>8</b>
Fije las aspas de ventilador .....	8
Colgar el ventilador .....	8
Instale el Conjunto de Luz .....	13
<b>Operación</b> .....	<b>14</b>
Instrucciones de operación de control remoto.....	14
Instrucciones de operación de botón de función inversa...	14
Instalación del soporte del control remoto.....	15
<b>Cuidado y Limpieza</b> .....	<b>15</b>
<b>Solución de averías</b> .....	<b>16</b>
<b>Partes de Servicios</b> .....	<b>17</b>

# Información de Seguridad

- Lea y guarde estas instrucciones.
- Para reducir el riesgo de electrocución, asegurarse de que la electricidad se ha desactivado en el cortacircuitos o caja de fusibles antes de comenzar.
- Todos los cables deben cumplir con el Código Eléctrico Nacional "ANSI/NFPA 70-1999" y los códigos eléctricos locales. La instalación eléctrica debería realizarla un electricista profesional cualificado.
- La caja de distribución y la estructura de soporte deben estar montados de manera segura y deben ser capaces de soportar, de manera confiable, un mínimo de 35 libras (15,9 kilogramos). Usar solamente cajas de distribución listadas por U.L. marcadas "PARA SOPORTE DE VENTILADORES".
- EL ventilador debe estar montado con un mínimo de 7 pies (213cm) de espacio libre desde el borde posterior de las aspas hasta el piso.
- Para evitar lesiones personales o daños al ventilador y otros artículos, tener cuidado al trabajar cerca del ventilador o al limpiarlo.
- No usar agua o detergentes al limpiar el ventilador o las aspas del ventilador. Para la mayoría de los propósitos de limpieza, un paño seco o ligeramente humedecido será apropiado.
- Tras realizar las conexiones eléctricas, los conductores empalmados deberían girarse hacia arriba y meterse con cuidado en la toma de corriente.
- Los cables deberían separarse con el conductor a tierra y el conductor de tierra del equipo por un lado de la toma de corriente y el conductor no conectado a tierra en el otro lado de la toma de corriente. Todos los tornillos deberían ser comprobados y revisados antes de la instalación.
- Este dispositivo cumple con los dispuestos en el artículo 15 de la normativa de la FCC, La operación está sujeta a las dos condiciones siguientes: (1) Este dispositivo no puede causar interferencias perjudiciales y (2) Este dispositivo debe aceptar cualquier interferencia recibida, incluidas las interferencias que puedan provocar un funcionamiento no deseado .



**ADVERTENCIA:** Para reducir el riesgo de descarga eléctrica o fuego, no utilice este ventilador con dispositivos de control de velocidad de ventilador de estado sólido. Eso dañaría de forma permanente el circuito electrónico.



**ADVERTENCIA:** PARA REDUCIR EL RIESGO DE LESIONES PERSONALES, NO DOBLAR LOS SOPORTES DE LAS ASPAS (TAMBIEN LLAMADOS "REBORDES"), DURANTE EL MONTAJE O DESPUES DE LA INSTALACIÓN



**ADVERTENCIA:** NO INSERTAR OBJETOS EN LA TRAYECTORIA DE LAS ASPAS.



**ADVERTENCIA:** PARA REDUCIR EL RIESGO DE FUEGO, DESCARGA ELÉCTRICA O LESIONES PERSONALES, MONTE EL VENTILADOR A UNA TOMA DE CORRIENTE MARCADA COMO COMPATIBLE PARA SOPORTAR UN VENTILADOR CON LOS TORNILLOS INCLUIDOS EN LA TOMA DE CORRIENTE.



**PRECAUCIÓN:** Para reducir el riesgo de lesiones personales, utilice solamente los tornillos incluidos con la toma de corriente.



**ADVERTENCIA:** Los cambios o las modificaciones a esta unidad no aprobados expresamente por la parte responsable del cumplimiento pueden anular la autoridad del usuario para operar el equipo .



**NOTA:** Este equipo ha sido probado y cumple con los límites para un dispositivo digital de Clase B, según la Parte 15 de las Normas de la FCC. Estos límites están diseñados para proporcionar una protección razonable contra las interferencias perjudiciales en una instalación residencial. Este equipo genera, utiliza y puede irradiar energía de radiofrecuencia y, si no se instala y utiliza de acuerdo con las instrucciones, puede causar interferencias en las comunicaciones de radio. Sin embargo, no hay garantía de que no se produzcan interferencias en una instalación en particular. Si este equipo causa interferencias perjudiciales en la recepción de radio o televisión, lo cual puede comprobarse encendiéndolo y apagándolo, se recomienda al usuario que intente corregir la interferencia mediante una o más de las siguientes medidas: Reorientar o reubicar la antena receptora .  
Aumentar la separación entre el equipo y el receptor .  
Conectar el equipo a un tomacorriente en un circuito diferente de aquel al que está conectado el receptor .  
Consulte al distribuidor o a un técnico de radio / televisión para obtener ayuda .

# Garantía

Garantizamos que el motor del ventilador está libre de los defectos de calidad y de material por el tiempo de salir de la fábrica y después de la fecha de compra por el cliente original. También garantizamos que todas las otras piezas del ventilador, excluyendo las hojas de vidrio o de acrílico, cuales está libres de los defectos de calidad y de material en el momento de salir de la fábrica por un período de dos años a partir de la fecha de compra por el comprador original. Estamos de acuerdo de mejorar dichos defectos sin cargo o reemplazo por un modelo comparable o superior si el producto es devuelto. Para obtener el servicio de garantía, usted debe presentar una copia de la factura como una prueba de compra. Todos los gastos de desmontaje y reinstalación del producto son asumidos por su responsabilidad. El daño a cualquier pieza tales como por accidente, mala utilización, instalación incorrecta o por los accesorios adjuntivos, no están cubiertos por esta garantía. Debido a las diferentes condiciones climáticas esta garantía no cubre ningún cambio en el acabado de bronce, incluyendo óxido, picadura, corrosión, deslustre o descamación. Los acabados de bronce de este tipo brindan a la vida útil más larga cuando se protege de las diversas condiciones meteorológicas. Una cierta cantidad de "oscilación" es normal y no debe considerarse como un defecto. El mantenimiento realizado por las personas no autorizadas hará la garantía inválida. No hay ninguna otra garantía expresa. Por la presente declaramos cualquier y todas las garantías, incluyendo pero no limitado a las garantías de comerciabilidad y dispinible a un propósito particular del alcance permitido por la ley. La duración de cualquier garantía implícita no declarada está limitada al período específico en la garantía expresa. Algunas declaraciones no permiten las limitaciones de la duración de una garantía implícita, por lo tanto la limitación antedicha no puede aplicar a usted. Los detallistas no será responsable por los daños incidentales, consecuentes o especiales causados por la utilización o desempeño mal del producto, salvo el establecimiento por la ley. Algunas declaraciones no permiten la exclusión de los daños incidentales o consecuentes, por lo tanto, la exclusión o limitación antedicha no puede aplicarse a usted. Esta garantía le proporciona los derechos legales específicos, y usted también puede tener otros derechos diferentes de la declaración. Esta garantía reemplaza a todas las garantías antedichas. Los gastos de despacho de todas devoluciones del producto como una parte de un reclamo de la garantía deben pagarse por el cliente.

Por favor entre en contacto con el Grupo de Servicio de Cliente por 1-800-986-3460 o visite a [www.HOMEDEPOT.COM/HOMEDECORATORS](http://www.HOMEDEPOT.COM/HOMEDECORATORS).

# Instalación Previa

## Especificaciones

Tamaño del Ventilador	Velocidad	Voltios	Amperios	Vatios	RPM	CFM	N.W.	G.W.	C.F.
52" (1,32 m)	Baja	120	0.23	14	95	2383	7.19 kg (15.82 lb)	8.33 kg (18.33lb)	1.52 ft.
	Mediana		0.33	28	138	3627			
	Alta		0.44	52	185	5212			



**NOTA:** Estas son mediciones aproximadas. No incluyen los Amperios y vatios usado por el juego de iluminación.



Intertek

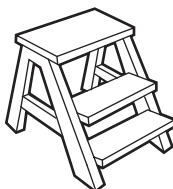
## Herramienta necesarias



Destornillador de Phillips



Destornillador de hoja plana



Escalera de paso



Pelacables



Cinta eléctrica

# Instalación Previa (continuada)

## HERRAMIENTAS INCLUIDAS



**NOTA:** Las medidas de las herramientas se demuestran en la lista siguiente, salvo las otras observaciones.



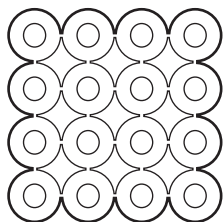
AA



EE



JJ



BB



FF



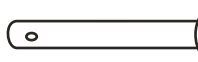
KK



GG



CC



HH



LL



DD



II

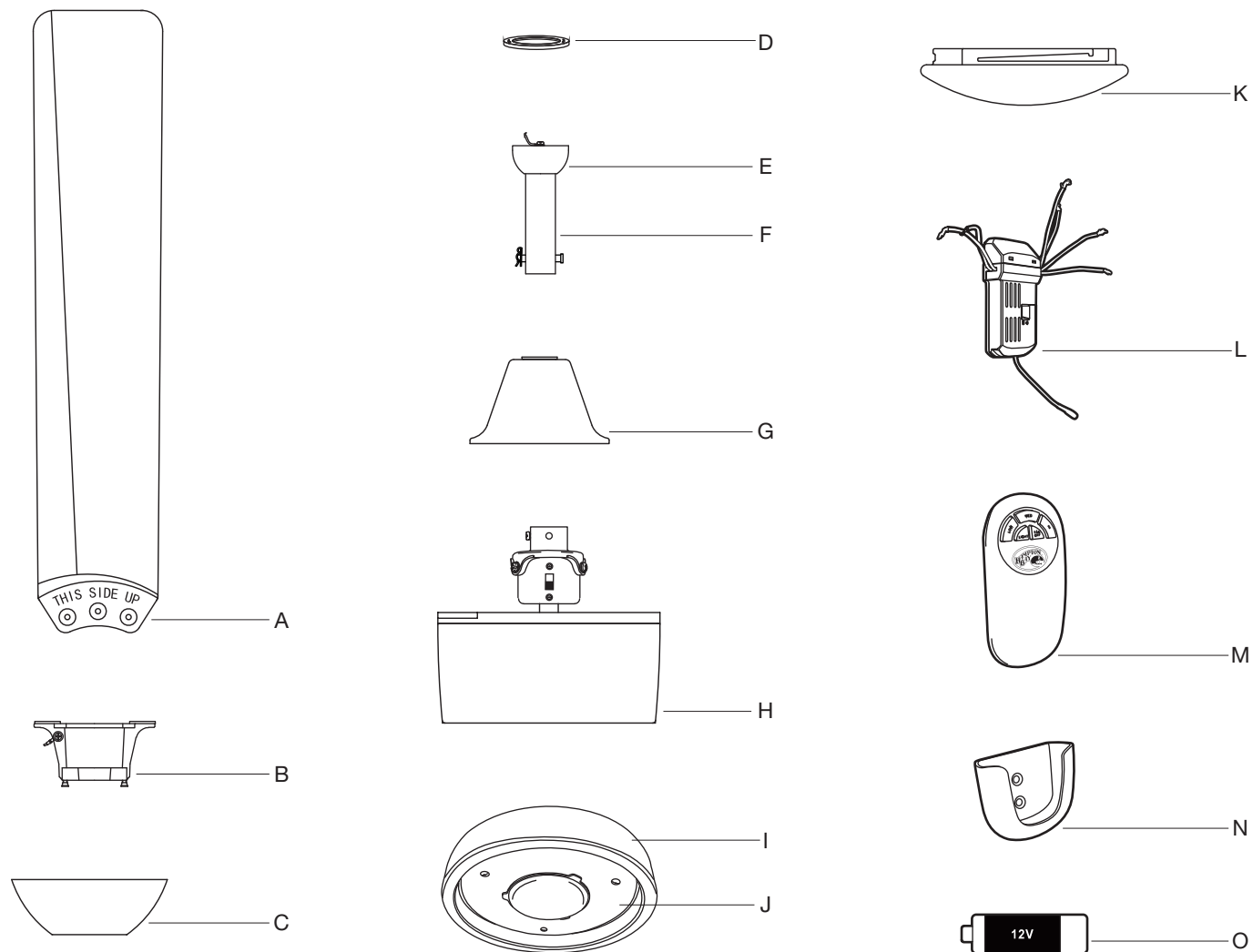


MM

Parte	Descripción	Cantidad
AA	Tornillo de aspa	16
BB	Arandela de fibra (no a escala)	16
CC	Conjunto de balanceo (no a escala)	1
DD	Tornillos de montaje para soporte del mando a distancia	2
EE	Tuerca de alambre plástica	6
FF	El pasador transversal (no a escala) (premontado)	1
GG	Pasador de enganche (premontado)	1
HH	Pasado de bloqueo (no a escala) (premontado)	1
II	Tornillo de ajuste de bola de suspensión (premontado)	1
JJ	Tornillos de acoplamiento al motor del ventilador (premontado)	2
KK	Tornillo de soporte de montaje (premontado)	2
LL	Tornillo de ensamblaje de anillo de motor del ventilador (premontado)	3
MM	Tornillo de placa de juego de luz (premontado)	3

# Instalación Previa (continuada)

## CONTENIDO DE PAQUETE



Parte	Descripción	Cantidad
A	Aspa	5
B	Soporte de montaje	1
C	Tapa	1
D	Tapa de cubierta	1
E	Bola de suspensión (premontado)	1
F	Varilla (premontado)	1
G	Cubierta de acoplamiento	1
H	Conjunto de motor de ventilador	1

Parte	Descripción	Cantidad
I	Placa de juego de luz (premontado)	1
J	Conjunto LED 17-W (premontado)	1
K	Sombra de vidrio	1
L	Receptor	1
M	Mando a distancia	1
N	Soporte de mando a distancia	1
O	Batería 12Vcc	1

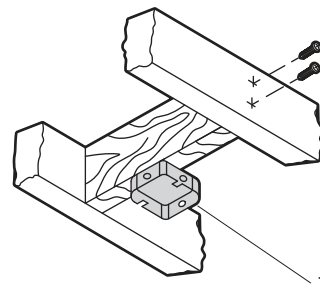


# Instalación

## OPCIONES DE MONTAJE

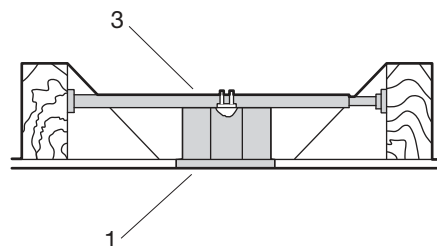
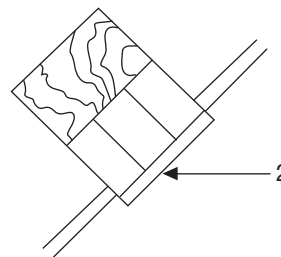
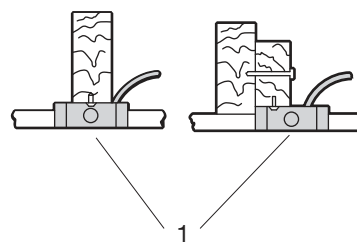


**ADVERTENCIA:** Para reducir los peligros de fuego, choque eléctrico o las lesiones personales, por favor monte el ventilador utilizando los tornillos proporcionados con la caja de salida. Generalmente una caja de salida que se utiliza para el soporte de los equipos de iluminaciones no puede ser disponibles al soporte de ventilador y debe reemplazarse. Si hay dudas, por favor consulte a un electricista cualificado.



Si el ventilador de techo no hay una caja de montaje listada-UL existente, instala una utilizando las instrucciones siguientes:

- ❑ Desconectar el suministro de electricidad removiendo los fusibles o desactivando los cortacircuitos.
- ❑ Asegurar la caja de distribución directamente a la estructura del edificio. Usar los sujetadores y materiales de construcción apropiados. La caja de distribución y su soporte deben ser capaces de soportar completamente el peso en movimiento del ventilador (al menos 35 libras o 15,9 kg) No usar cajas de distribución plásticas.
- ❑ Las ilustraciones a la derecha muestran tres formas diferentes para montar la caja de salida (no incluido).
- ❑ Para colgar el ventilador donde hay un equipo existente pero no vigueta de techo, usted necesita una barra de percha de instalación (3) (no incluida) como se muestra arriba.



**NOTA:** Deberá tener una varilla más larga para mantener adecuadamente limpias a las palas al instalar en un techo inclinado. El ángulo máximo admisible es de 18°. Si la cubierta toca la varilla, retire la tapa de botón de cubierta decorativa, y gire la cubierta a 180° antes de colocar la cubierta a la placa de montaje (2).

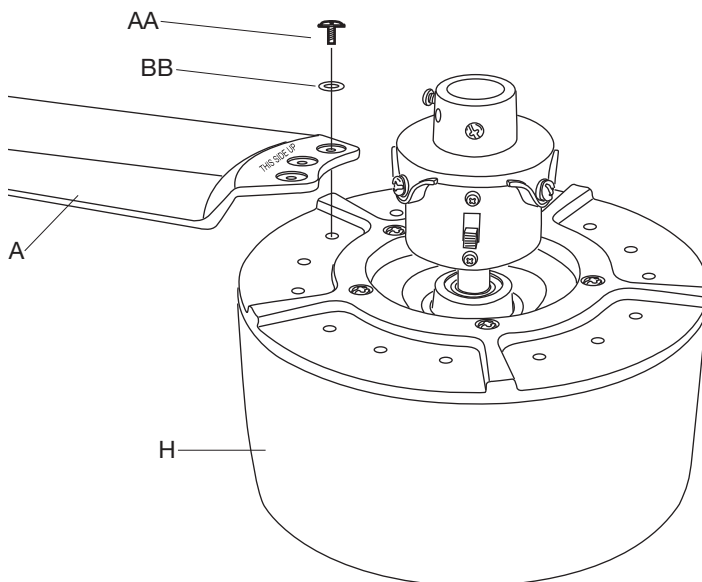
## Ensamblado – Fije las aspas de ventilador

### 1 Sujete los aspa en el conjunto de motor de ventilador

- Fije las cinco aspas del ventilador (A) en el conjunto del motor del ventilador (H) utilizando los tornillos de aspa (AA) y las arandelas de fibra (BB), los tres para cada aspa. Y atornille todos los tornillos firmemente.



**NOTA:** A la instalación de las aspas, por favor asegúrese de que los lados con "THIS SIDE UP" enfrente al techo.



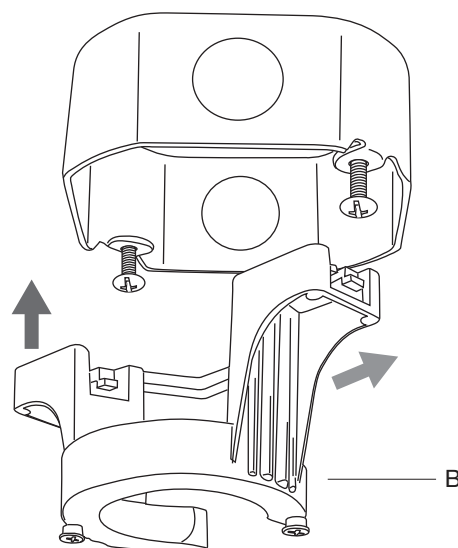
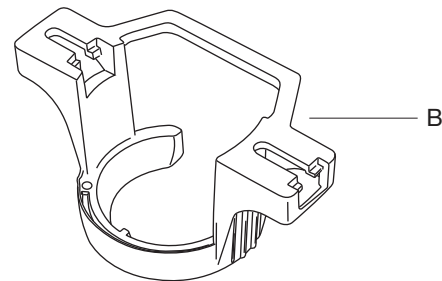
## Ensamblado – Colgar el ventilador

### 2 Colocar el soporte de montaje a la caja eléctrica



**ADVERTENCIA:** PARA REDUCIR EL RIESGO DE FUEGO, DESCARGA ELÉCTRICA O LESIONES PERSONALES, MONTE EL VENTILADOR A UNA TOMA DE CORRIENTE MARCADA COMO COMPATIBLE PARA SOPORTAR UN VENTILADOR CON LOS TORNILLOS INCLUIDOS EN LA TOMA DE CORRIENTE.

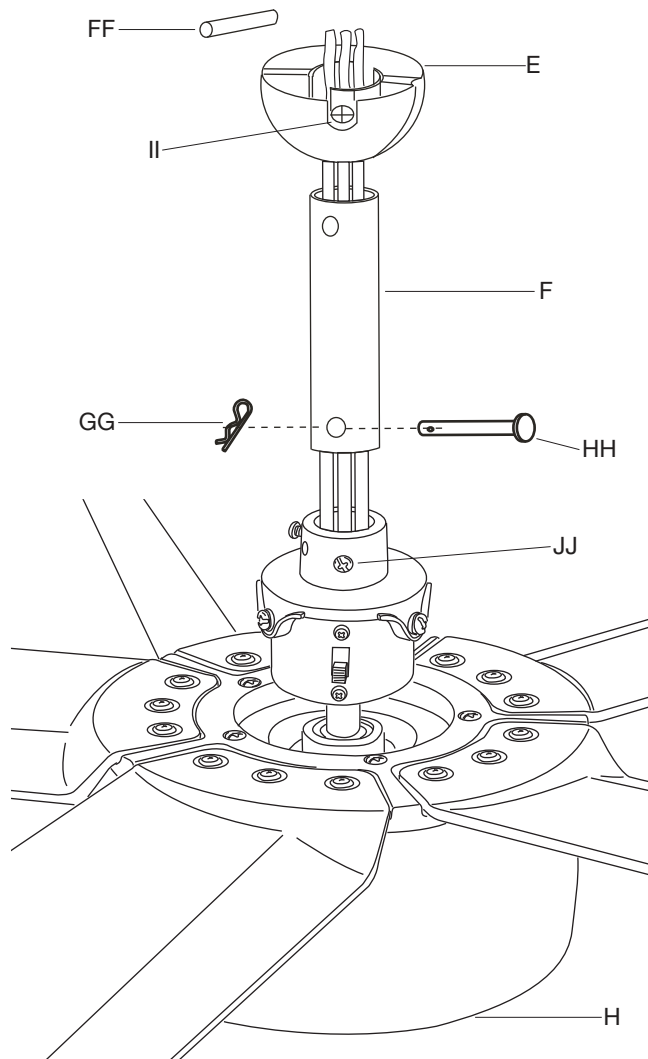
- Coloque las ranuras desde el soporte de montaje (B) sobre los dos tornillos suministrados con la caja de salida. Deslice soporte de montaje (B) hasta que asiente en la parte estrecha de las ranuras.
- Apriete bien los dos tornillos de montaje.



## Ensamblado – colgar el ventilador (continuada)

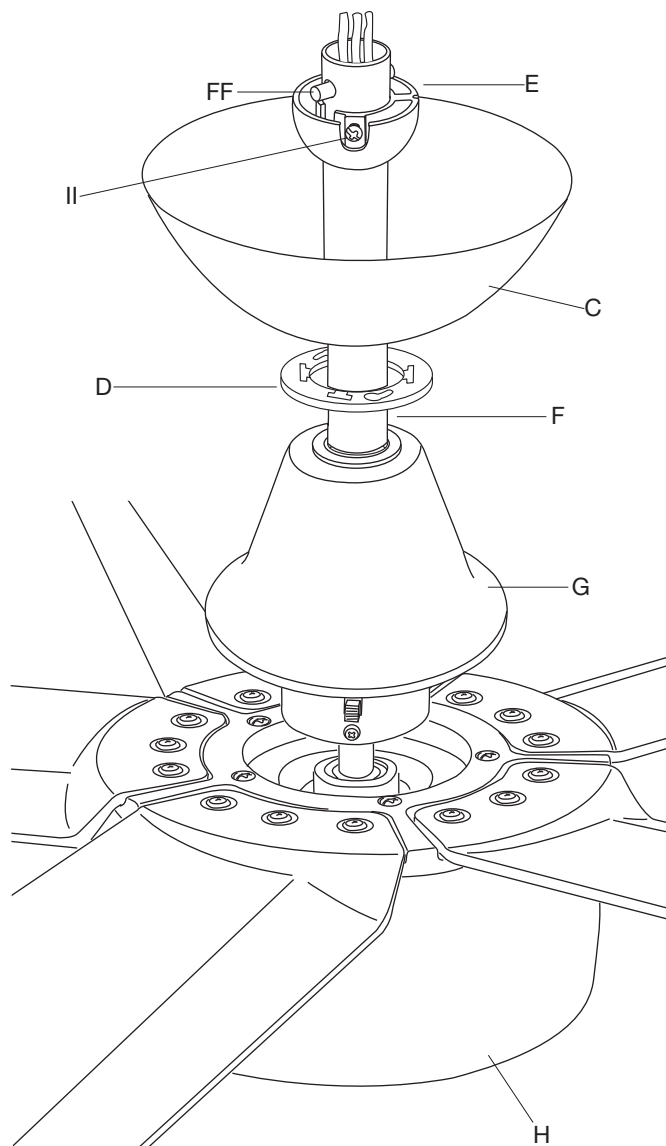
### 3 Colocar la varilla al juego de ensamblaje del motor del ventilador

- Afloje los dos tornillos de fijación (JJ) del acoplamiento del conjunto del motor del ventilador del motor (H).
- Quite el pasador de enganche (GG) y el pasador de bloqueo (HH) de la varilla (F). Quite la bola de suspensión (E) de la varilla (F) por aflojando el tornillo de fijación de la bola de suspensión (II), y quitando el pasador transversal (FF), entonces deslizando la bola de suspensión (E) fuera de la varilla (F).
- Proporcione los cables del ventilador a través de la varilla (F) cuidadosamente. Enrosque la varilla (F) en el acoplamiento del conjunto del motor del ventilador (H). Alinee los agujeros y reemplace el pasador de bloqueo (HH) y el pasador del enganche (GG). Entonces apriete los tornillos de fijación (JJ).



### 4 Colocar bien la tapa de acoplamiento, la tapa de cubierta y la misma a la varilla

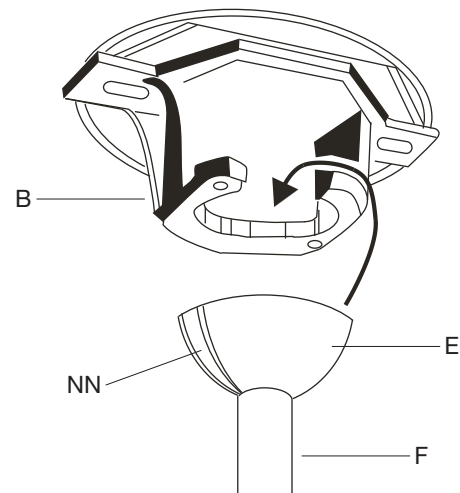
- Deslice la cubierta de acoplamiento (G), la tapa de cubierta (D), y la tapa (C) en la varilla (F).
- Y vuelva a instalar la bola de suspensión (E) cuidadosamente en la varilla (F), entonces por favor asegúrese de que el pasador transversal (FF) esté en la posición correcta, los tornillos de fijación (II) estén apretados, y los alambres no sean torcidos.



## Ensamblado – colgar el ventilador (continuada)

### 5 Cuelgue el juego de ensamblaje de motor de ventilador desde el soporte de montaje

- Levante el conjunto del motor del ventilador (H) en la posición, y coloque la bola de suspensión (E) en el soporte de montaje (B). Gire el conjunto del motor del ventilador (H) hasta que la ranura de prueba estén en la ranura de registro (NN) y lo coloque firmemente. Debe girar la varilla (F) en caso de falla operación.



### 6 Preparar del receptor y el mando a distancia



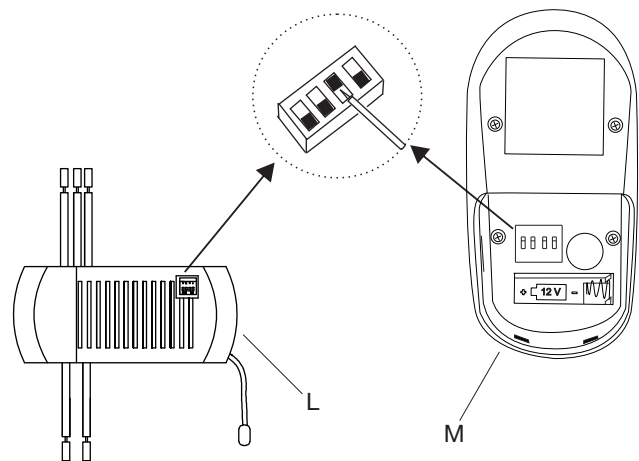
**ADVERTENCIA:** Para evitar el choque eléctrico, por favor asegúrese de apagar la electricidad del interruptor de circuito o de la caja fusible principal antes del cableado.



**PRECAUCIÓN:** No lo utilice junto con un interruptor de atenuación en pared

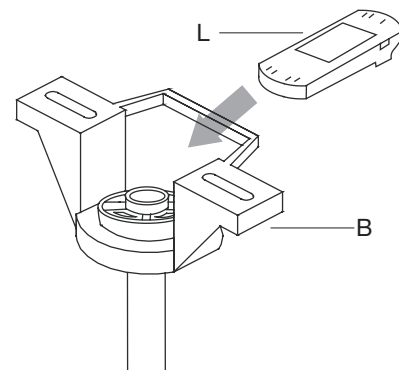


**NOTA:** Si usted le parece que no tenga un conocimiento suficiente de cableado eléctrico o la experiencia, deberá dejar ser instalado por un electricista autorizado al ventilador.



El control remoto se equipa con las combinaciones de 16 códigos para evitar las posibles interferencias desde o hacia los otros controles remotos. Los interruptores de frecuencia de su receptor (L) y del control remoto (M) se han configurado previamente en la fábrica. Por favor, vuelva a revisar para asegurarse de que los interruptores del control remoto (M) y del receptor (L) se configure en la misma posición. Cualquiera combinación de las configuraciones se va a funcionar el ventilador mientras que el control remoto (M) y el receptor (L) se configuren en la misma posición.

- Inserte el receptor (L) en el soporte de montaje (B) con el lado plano del receptor (L) afrontando al techo.



# Ensamblado – colgar el ventilador (continuada)

## 6 Haga las conexiones eléctricas



**ADVERTENCIA:** Para evitar el choque eléctrico, por favor asegúrese de apagar la electricidad del interruptor de circuito o de la caja fusible principal antes del cableado.



**ADVERTENCIA:** Verifique todas las conexiones estén bien, incluyendo el alambre a tierra, y no puede ver alambres desnudos en las tuercas de alambre, excepto por alambre a tierra.

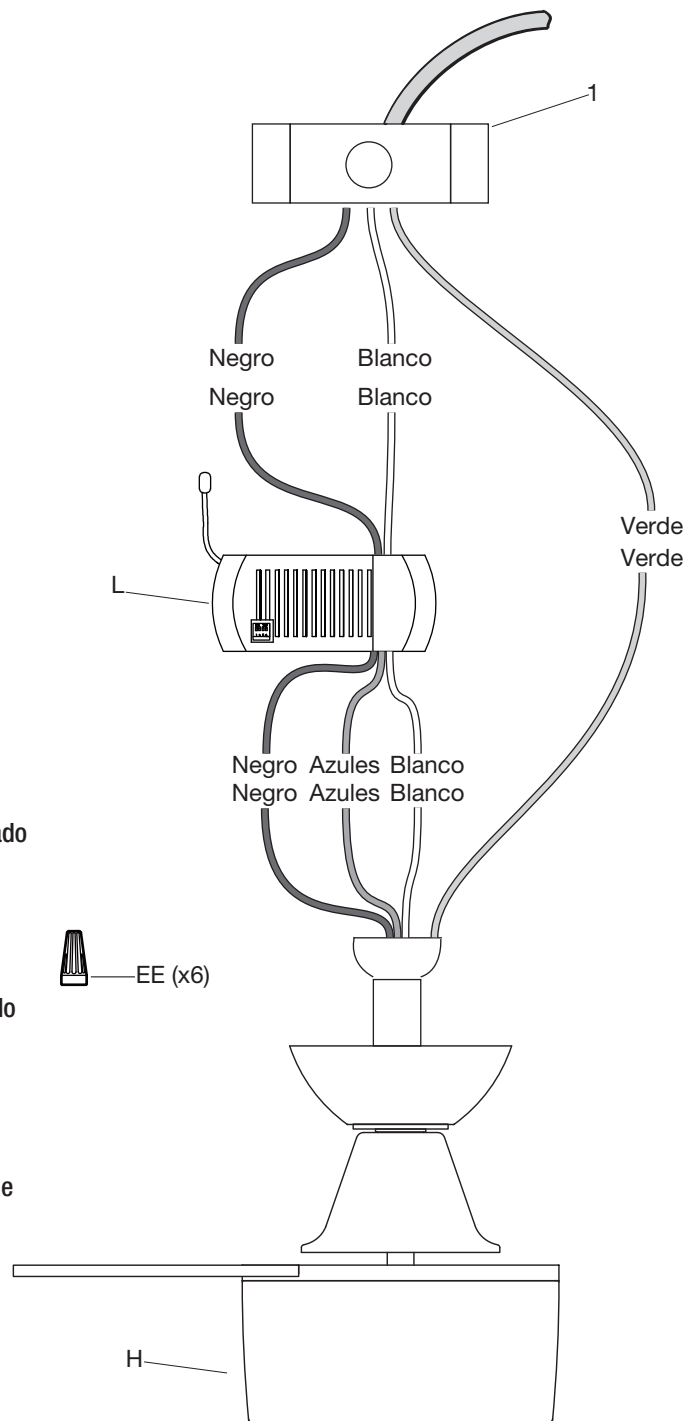
Siga los pasos siguientes para conectar el ventilador a los alambres de alimentaciones de su casa. Fije las tuercas de alambre (EE) proporcionadas con el ventilador por envolviendo las conexiones con la cinta eléctrica.

Las conexiones eléctricas del motor al receptor:

- Conecte el alambre negro del ventilador al alambre negro marcado "TO MOTOR L" del receptor (L).
- Conecte el alambre blanco del ventilador al alambre blanco marcado "TO MOTOR N" del receptor (L).
- Conecte el alambre azul del ventilador al alambre azul marcado "For Light" del receptor (L).

Las conexiones eléctricas del receptor a los alambres de alimentación de vivienda:

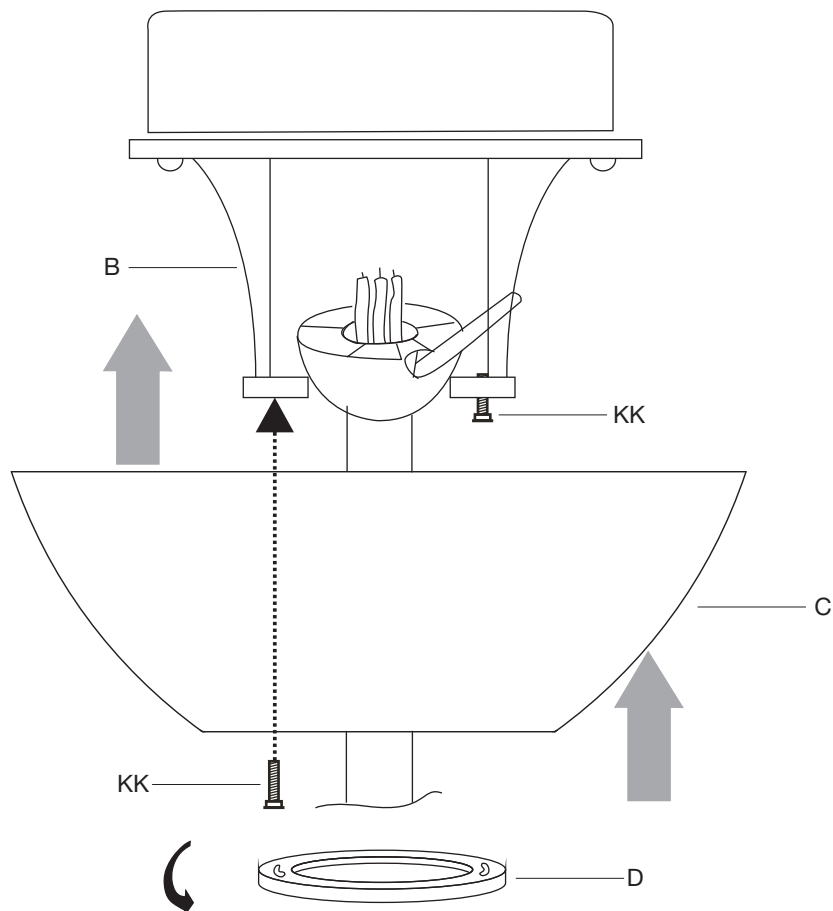
- Conecte el alambre negro del techo al alambre negro marcado "AC in L" del receptor (L).
- Conecte el alambre blanco (neutral) del alambre del techo al alambre blanco marcado "AC in N" del receptor (L).
- Si la caja de salida (1) tiene un cable a tierra (verde o barra de cobre) conéctelo a los cables de tierra del ventilador, de lo contrario, conecte el cable de tierra de la bola de suspensión (E) al soporte de montaje (B).
- Asegúrese de que la conexión del alambre con una tuerca de alambre plástico (EE) sea proporcionada con el hardware eléctrico.
- Después de conectar los alambres, los separe con el fin de que los alambres verdes y blancos estén en un lado de la caja de salida (1) y los alambres negros y azules estén en el otro lado. Y meta cuidadosamente las conexiones de alambres dentro de la caja de salida (1).



## Ensamblado – colgar el ventilador (continuada)

### 8 Fijar el juego de ensamblaje de motor del ventilador al soporte de montaje

- Quite un tornillo (KK) del soporte de montaje (B) y afloje el otro tornillo (KK) por 1/4 de vuelta más o menos.
- Levante la tapa (C) con mucho cuidado al soporte de montaje (B), y compruebe que el tornillo aflojado (KK) haya insertado en el agujero de la llave en la tapa (C). Gire la tapa (C) en sentido horario.
- Fije la tapa (C) por reemplazando el tornillo (MM) previamente quitado y apretando el tornillo (KK) previamente aflojado.
- Coloque la cubierta de tapa (D) en la misma (C) y gire la cubierta de tapa (D) en el sentido de la aguja del reloj hasta que él bloqué en su posición.



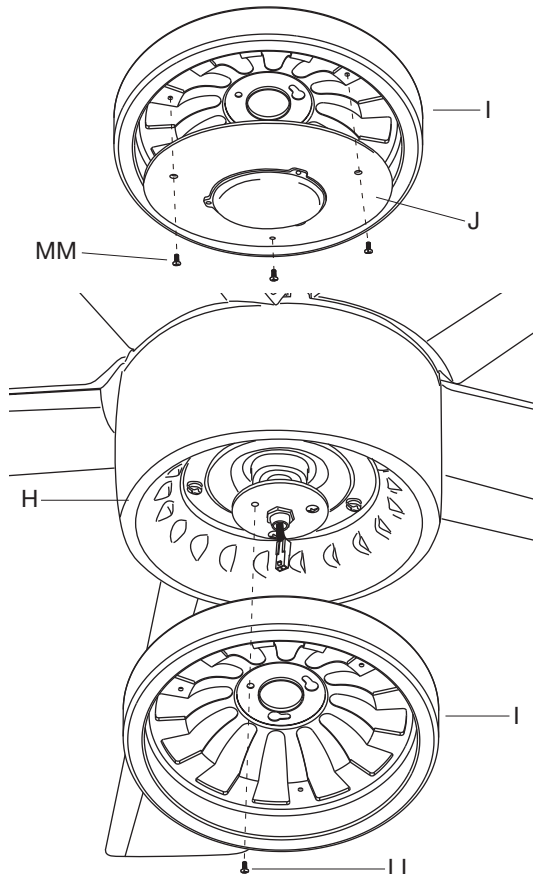
# Ensamblado — Instale el Conjunto de Luz

## 9 Instalación de la placa de juego de luz de luz



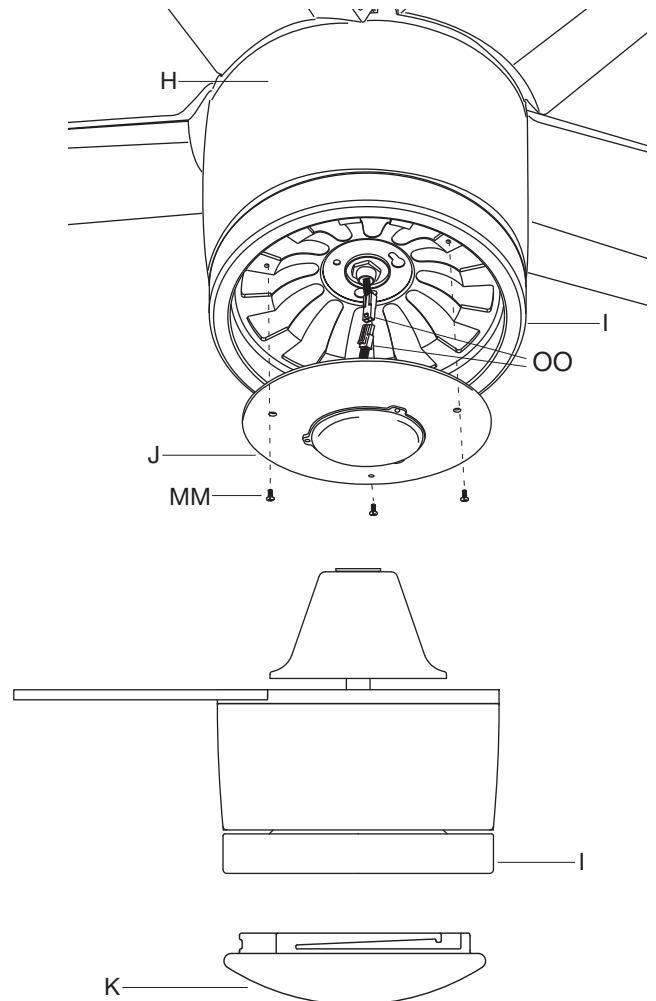
**PRECAUCIÓN:** Para reducir el peligro del choque eléctrico, por favor desconecte el circuito de alimentación eléctrica al ventilador antes de la instalación del juego de luz.

- Quite el conjunto LED 17-W (J) de la placa de juego de luz (I) por sacando los tres tornillos de placa de juego de luz (MM). Y coloque los tornillos (MM) al lado para la utilización en la futura.
- Quite uno de los tres tornillos (LL) del anillo de montaje del conjunto del motor del ventilador (H) y afloje, pero no saque, los otros dos tornillos (LL).
- Coloque los agujeros de llave de la placa de juego de luz (I) encima de los dos tornillos (LL) aflojados previamente del anillo de montaje del conjunto del motor del ventilador (H). Gire la placa de juego de luz (I) hasta que él bloquee en el lugar en la sección estrecha de los agujeros de llave. Los fije por apretando los dos tornillos (LL) aflojados previamente y un tornillo sacado previamente.



## 10 Instalación del conjunto LED 17-W y sombra de vidrio

- Sosteniendo la conjunto LED 17W (J) bajo el ventilador, se encajan las clavijas de conexión de cables (OO).
- Coloque el conjunto LED 17W (J) en la placa de juego de luz (I) y asegúrese de que los agujeros de tornillo se alineen adecuadamente.
- Fije el conjunto LED 17W (J) por reemplazando los tres tornillos (MM) sacados previamente. Aprieten todos los tornillos fuertemente.
- Fije la sombra de vidrio (K) en la placa del conjunto de luz (I) por torciendo fuertemente.



# Operación



## Instrucción de operación de mando a distancia

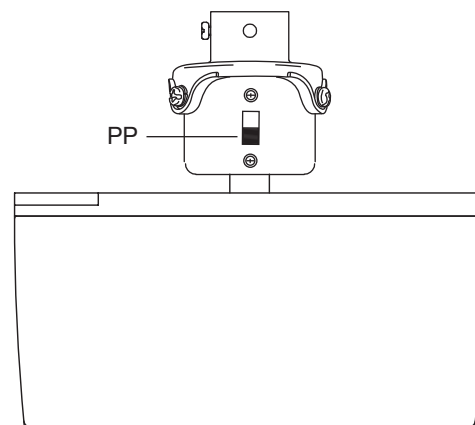
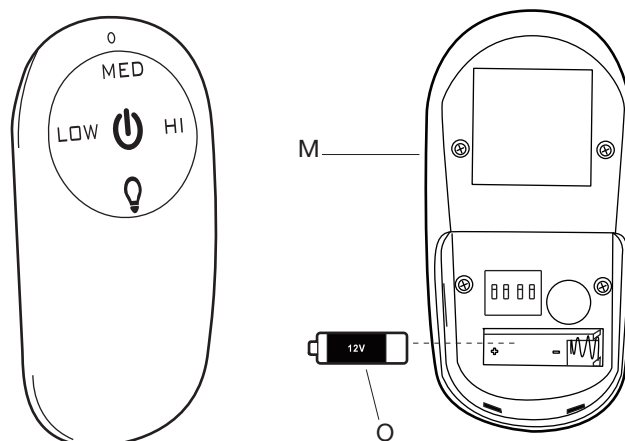
Instale una batería tipo A23 de 12 Vcc (0) en el control remoto (M). Para evitar los daños del control remoto, por favor quite la batería si no la utiliza por un largo tiempo.



**ADVERTENCIA:** No debe cortocircuito, desmontar, calentar, conectar incorrectamente o arrojar las baterías usadas al fuego. No debe recargar ni mezclar las baterías con las usadas o de otros tipos. Y debe quitar las baterías usadas inmediatamente.

Recupere a encender el ventilador de techo y pruebe el funcionamiento adecuado.

- Botones de HI, MED, LOW (Alto, Medio, Bajo) : ajusta la velocidad del ventilador.g
- Botón de “”: apaga el ventilador.
- Botón de “”: Activa o desactiva la luz . Mantenga pulsado el botón para ajustar el brillo deseado.



## INSTRUCCIONES DE OPERACIÓN DEL BOTÓN DE FUNCIÓN INVERSA

El interruptor inverso (PP) se situa en la superficie de la conjunto de motor de ventilador.

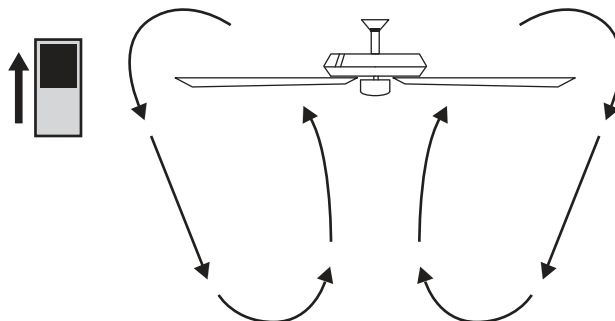
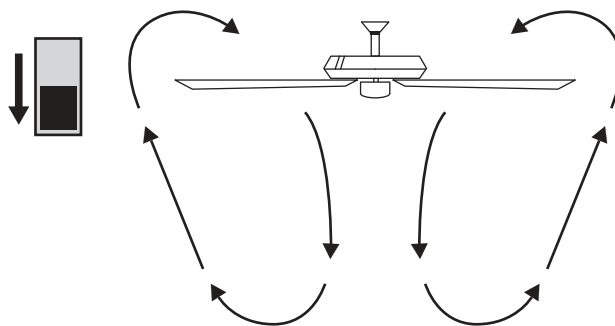
Las direcciones de controles de interruptor: delantera (interruptor abajo) o inversa (interruptor arriba).



**NOTA:** Espere la parada del ventilador antes de invertir la dirección de la rotación de hoja.

**Clima cálido - (Adelante)** Una corriente de aire descendente crea un efecto refrescante como se muestra en. Esto le permite ajustar su aire acondicionado en un mayor ajuste sin que ello afecte su comodidad.

**Clima Frío - (Inversa)** Un flujo de aire mueve el aire caliente hacia arriba fuera de la zona límite, como se muestra en. Esto le permite configurar su unidad de calefacción en un ajuste más bajo sin afectar a su comodidad.

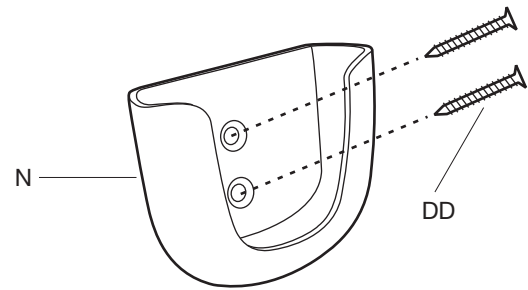




## Operación (continuada)

### INSTALACIÓN DEL SOPORTE DE MANDO A DISTANCIA

- Coloque el soporte del mando a distancia (N) con dos tornillos adjuntos (DD).



## Cuidado y Limpieza

### Hacer

- Verifique las conexiones de soporte, soportes y equipos de hoja dos veces por un año. Y asegúrese de fijarlos bien. Debido al movimiento natural del ventilador, unas conexiones puedan aflojarse por un tiempo. No es necesario de quitar el ventilador del techo.
- Limpie el ventilador periódicamente. Sólo utilice un paño suave o libre de hilas para evitar la rascadura del acabado. El revestimiento se selle con barniz para minimizar la decoloración o deslustre.
- (Opcional) Aplique una capa ligera de lustre de mueble en las hojas de madera.
- (Opcional) Cubre las rascaduras pequeñas con unos lustres de zapatos.

### No pueda hacer

- No pueda utilizar aguas a la limpieza. El agua pueda dañar el motor, la madera o causar un choque eléctrico posiblemente.
- No pueda aplicar aceite en el ventilador o el motor. Los rodamientos de bolas del motor han sido lubricados permanentemente.

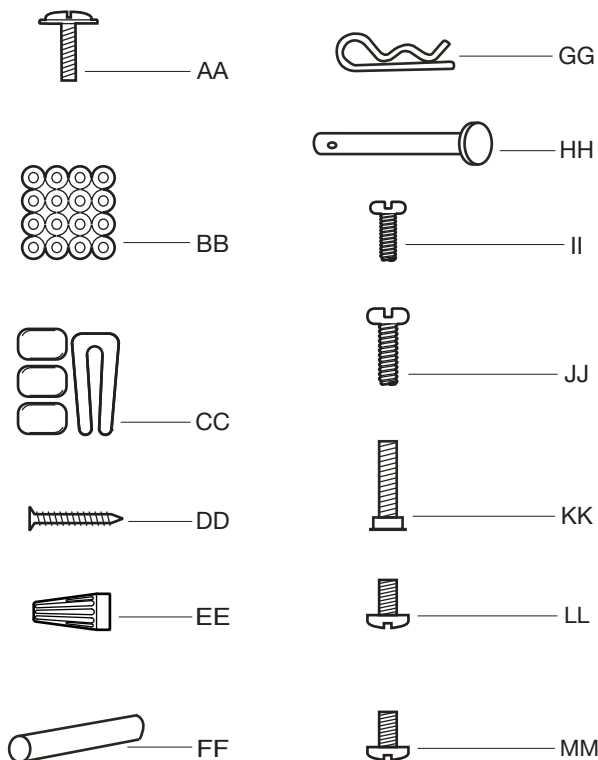
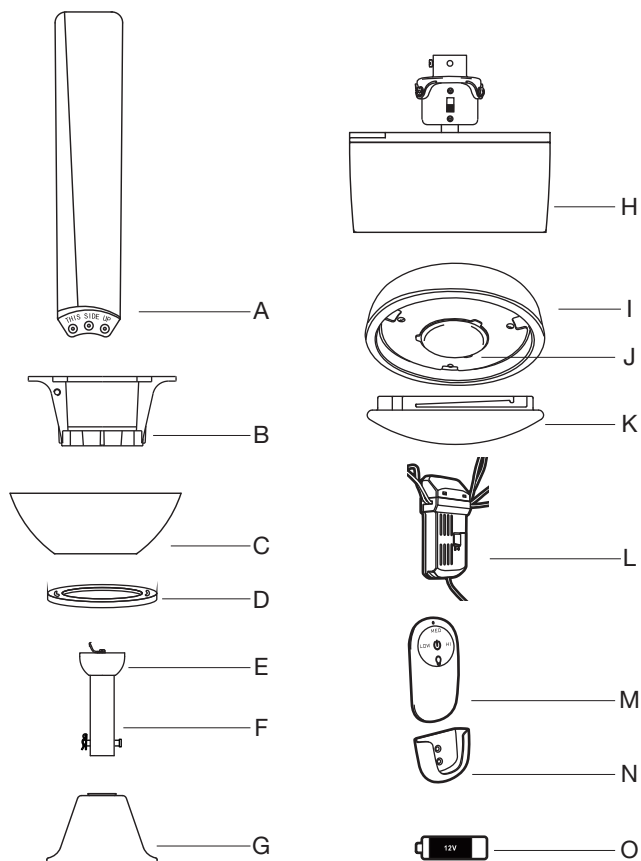
# Solución de averías



**ADVERTENCIA:** Asegúrese de que la fuente eléctrica se apague en la caja de panel eléctrico antes de hacer las reparaciones. Y refiérase a la sección de "Hacer las Conexiones Eléctricas" en la página 11.

Problema	Solución
El ventilador no funciona	<input type="checkbox"/> Revisar los fusibles o interruptores de circuitos.
	<input type="checkbox"/> Verificar las conexiones de cables de línea al ventilador y conexiones de cable del interruptor.
	<input type="checkbox"/> Revise los interruptores de frecuencia del receptor y transmisor, los interruptores de las dos unidades debén de estar en las mismas posiciones. Cambie la frecuencia para descartar que su ventilador tenga interferencia con otra unidad.
El ventilador emiteruido	<input type="checkbox"/> Asegurarse de que todos los tornillos de la cubierta del motor estén ajustados.
	<input type="checkbox"/> Asegurarse de que los tornillos que sujetan el soporte de aspas del ventilador al eje del motor estén apretados.
	<input type="checkbox"/> Asegurarse de que las conexiones de tuercas para cable no esten rozando unas contra otras o contra la pared interior de la cubierta protectora del interruptor.
	<input type="checkbox"/> Permitir un período de "desgaste" de 24 horas. La mayoría de los ruidos asociados con un ventilador nuevo desaparecen durante este tiempo.
	<input type="checkbox"/> Si se está usando un juego opcional de iluminación para el venitlador de techo, asegurese de que los tornillos que aseguran el vidrio estén apretados. Asimismo, verificar que el foco esté seguro.
	<input type="checkbox"/> Asegurarse de que el escudete superior esté a una corta distancia del techo. No debe hacer contacto con el techo.
	<input type="checkbox"/> Asegúrese de que la caja del techo esté fija y que las almohadillas aislantes de goma estén colocadas entre el soporte de montaje y la toma de corriente.
El mando a distancia no funciona.	No conecte el ventilador con el controlador de velocidad montado en la pared (s).
	Asegúrese de que los interruptores del mando a distancia y el receptor están en la misma frecuencia.
Las oscilaciones de ventilador	<input type="checkbox"/> Verifique si todas las aspas y los tornillos de brazo de aspa sean fijados.
	<input type="checkbox"/> La mayoría de los problemas sobre la oscilación es causada cuando los niveles de aspa son irregulares. Verifique el nivel por seleccionando un punto del techo encima del extremo de una de las aspas. Y tome la medidas desde un punto en el centro de caja hoja al punto del techo. Gire el ventilador hasta que la aspa siguiente sea situada para la medida. Repite por caja aspa. La desviación de las medidas debe estar dentro de 1/8 pulgadas (3 mm). Y funcione el ventilador por diez minutos.
	<input type="checkbox"/> Utilice el conjunto de balanceo de hoja adjuntivo si la oscilación de aspa todavía es notable.

# Partes de Servicios



Parte	Descripción
A	Aspa
B	Soporte de montaje
C	Tapa
D	Tapa de cubierta
E	Bola de suspensión
F	Varilla
G	Cubierta de acoplamiento
H	Conjunto de motor de ventilador
I	Placa de juego de luz
J	Conjunto LED 17-W
K	Sombra de vidrio
L	Receptor
M	Mando a distancia
N	Soporte de mando a distancia
O	Batería 12Vcc

Parte	Descripción
AA	Tornillo de aspa
BB	Arandela de fibra
CC	Conjunto de balanceo
DD	Tornillos de montaje para soporte del mando a distancia
EE	Tuerca de alambre plástica
FF	El pasador transversal
GG	Pasador de enganche
HH	Pasado de bloqueo
II	Tornillo de ajuste de bola de suspensión
JJ	Tornillos de acoplamiento al motor del ventilador
KK	Tornillo de soporte de montaje
LL	Tornillo de ensamblaje de anillo de motor del ventilador
MM	Tornillo de placa de juego de luz

# HOME DECORATORS COLLECTION

¿Preguntas, problemas o piezas faltantes? Antes de regresar a la tienda,  
llama al servicio al cliente de The Home Depot  
de lunes a viernes, de 8 a.m. a 6 p.m. (hora estándar del Este)

**1-800-986-3460**

**[HOMEDEPOT.COM/HOMEDECORATORS](https://www.homedepot.com/homedecorators)**

Conserva este manual para uso futuro.