

## Thank You

Thank you for purchasing this product. It was carefully engineered to provide excellent performance when properly operated and maintained.

Please read this entire manual prior to operating the equipment. It instructs you how to safely and easily set up, operate and maintain your machine. Please be sure that you, and any other persons who will operate the machine, carefully follow the recommended safety practices at all times. Failure to do so could result in personal injury or property damage.

All information in this manual is relative to the most recent product information available at the time of printing. Review this manual frequently to familiarize yourself with the machine, its features and operation. Please be aware that this Operator's Manual may cover a range of product specifications for various models. Characteristics and features discussed and/or illustrated in this manual may not be applicable to all models. We reserve the right to change product specifications, designs and equipment without notice and without incurring obligation.

## Contents of Carton

- Lawn Mower (1)
- Fast Attach Deck Wash Nozzle † (1)
- Parts/Warranty Document (1)
- Oil (1)
- Grass Catcher † (1)
- Lawn Mower Operator's Manual (1)
- Fast Start Guide † (1)
- † If Equipped
- Side Discharge Chute † (1)
- Engine Operator's Manual (1)
- Product Registration Card † (1)

**NOTE:** This Operator's Manual covers several models. Features may vary by model. Not all features in this manual are applicable to all models and the model depicted may differ from yours. Handle assembly is the same on all units.

**NOTE:** This unit is shipped without gasoline or oil in the engine. Fill up with gasoline and oil as instructed in the accompanying engine manual BEFORE operating your mower.

## Handle Assembly

1. Remove any packing material which may be between upper and lower handles.
2. Remove wing knobs (a) and carriage bolts (b) from handle as shown in Figure 2-1. Do not loosen or remove adjacent hex head screws.

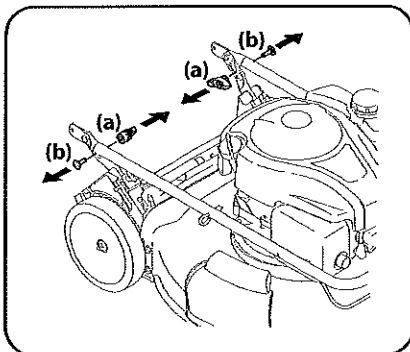


Figure 2-1

3. While stabilizing mower so it doesn't move, pivot upper handle up as shown in Figure 2-2. Do not crimp cable while lifting the handle up.

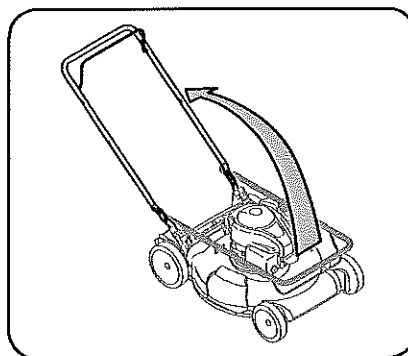


Figure 2-2

4. Remove the T-bolts (a) from the handle brackets as shown in Figure 2-3.

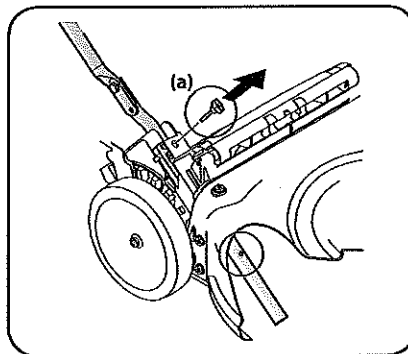


Figure 2-3

5. Follow the steps below to complete handle assembly:

- a. Pull upward on the handle until holes in lower handle (shown in Figure 2-3 deck cutaway) line up with holes in handle bracket. See Figure 2-4.

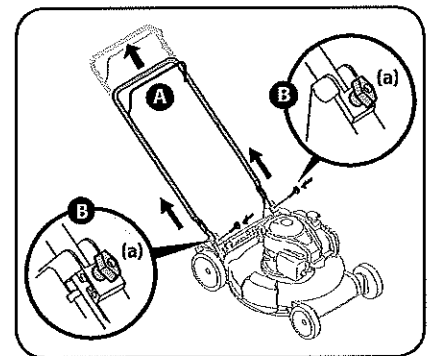
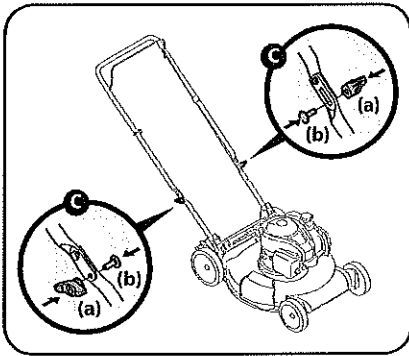


Figure 2-4

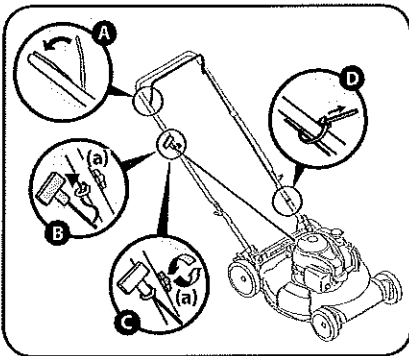
**NOTE:** When pulling upward on handle, make sure to not pull handle all the way out.

- b. Insert the T-bolts (a) removed in Step 4 through the handle brackets and lower handle and tighten securely to secure the handle in place. See Figure 2-4.
- c. Reattach wing knobs (a) and carriage bolts (b) removed in Step 2 into lower holes of handle as shown in Figure 2-5.



**Figure 2-5**

6. The rope guide is attached to the right side of the upper handle. Loosen the wing knob (a) which secures the rope guide. See Figure 2-6.

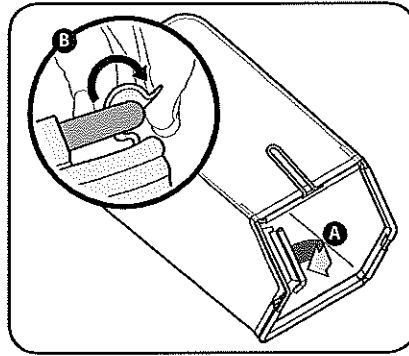


**Figure 2-6**

- a. Hold blade control against upper handle.
- b. Slowly pull starter rope handle from engine and slip starter rope into the rope guide.
- c. Tighten rope guide wing knob (a).
- d. Use cable tie(s) to secure cable(s) to lower handle.

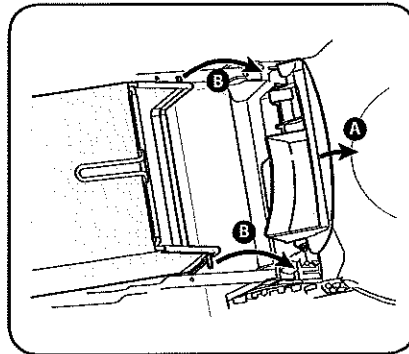
### **Grass Catcher (If Equipped)**

1. Follow steps below to assemble the grass catcher (if needed). Make certain bag is turned right side out before assembling (warning label will be on the outside). See Figure 2-7.
  - a. Place bag over frame so that its black plastic side is at the bottom.
  - b. Slip plastic channel of grass bag over hooks on the frame.



**Figure 2-7**

2. Follow steps below to attach grass catcher: See Figure 2-8.
  - a. Lift mower rear discharge door.
  - b. Place grass catcher into the slots in the handle brackets. Let go of discharge door so that it rests on the grass catcher.



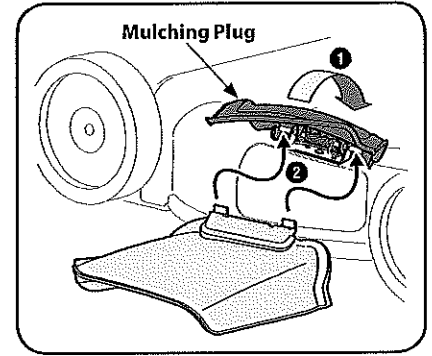
**Figure 2-8**

To remove grass catcher, lift mower rear discharge door. Lift grass catcher up and off the slots in the handle brackets. Release mower rear discharge door to allow it to close rear opening of mower.

### **Side Discharge Chute (If Equipped)**

Your mower may be shipped as a mulcher. To convert to side discharge, make sure grass catcher (if equipped) is off the unit and mower rear discharge door (if equipped) is closed.

1. On the side of the mower, lift the mulch plug. See Figure 2-9.



**Figure 2-9**

2. Slide two hooks of side discharge chute under hinge pin on mulch plug assembly. Lower the mulch plug.

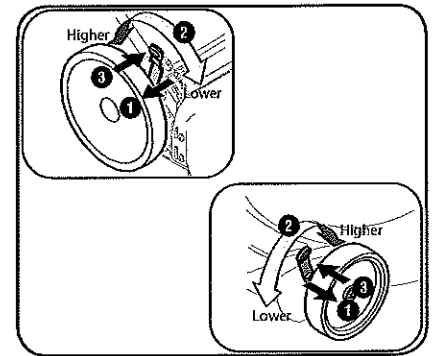
**NOTE:** Do not remove mulch plug at any time.

## **Adjustments**

### **Cutting Height**

The cutting height adjustment lever is located above the front and rear right wheel.

**NOTE:** On select models, the front cutting height adjustment lever is located above the front left wheel. Refer to Figure 2-10 and the following instructions to adjust cutting height.



**Figure 2-10**

1. Pull the cutting height adjustment lever towards wheel.

2. Move lever to desired position for a change in cutting height. See Figure 2-11 and Figure 2-12.

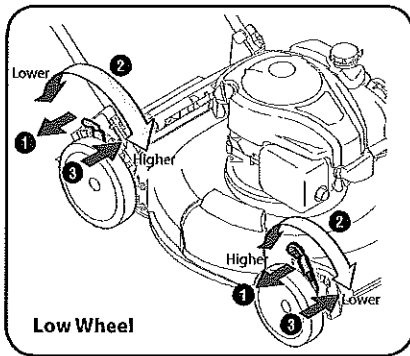


Figure 2-11

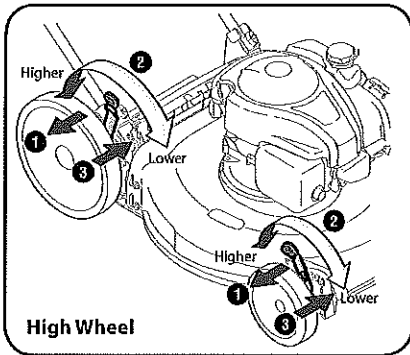


Figure 2-12

**NOTE:** For mowers with low wheels, the cutting height adjustment levers move in the opposite direction to adjust; for mowers with high wheels, the levers move in the same direction.

**IMPORTANT:** Both the front and rear wheels must be placed in the same relative position. For rough or uneven lawns, move the height adjustment levers to a higher position. This will stop scalping of grass.

3. Release lever towards deck. See Figure 2-11 and Figure 2-12.

### Handle Pitch (If Equipped)

If equipped, the pitch of the handle can be adjusted as follows:

1. Remove wing nuts (a) and carriage bolts (b) from handle. See Figure 2-13.

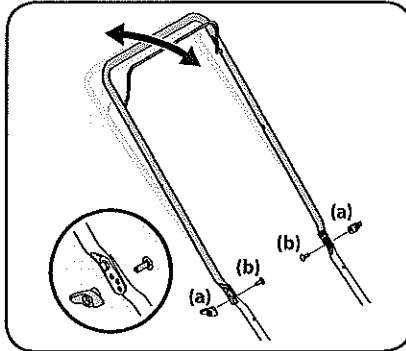


Figure 2-13

2. Position the handle in one of the three positions that is most comfortable. See Figure 2-13 inset.
3. Secure into position with wing nuts (a) and carriage bolts (b) removed in Step 1.

### Set-Up

#### Gas and Oil Fill-Up

Refer to the separate Engine Operator's Manual for additional engine information.

1. Add provided oil before starting mower for the first time.
2. Service the engine with gasoline as instructed in the separate Engine Operator's Manual.



**WARNING:** Use extreme care when handling gasoline. Gasoline is extremely flammable and the vapors are explosive. Never fuel the machine indoors or while the engine is hot or running. Extinguish cigarettes, cigars, pipes and other sources of ignition.