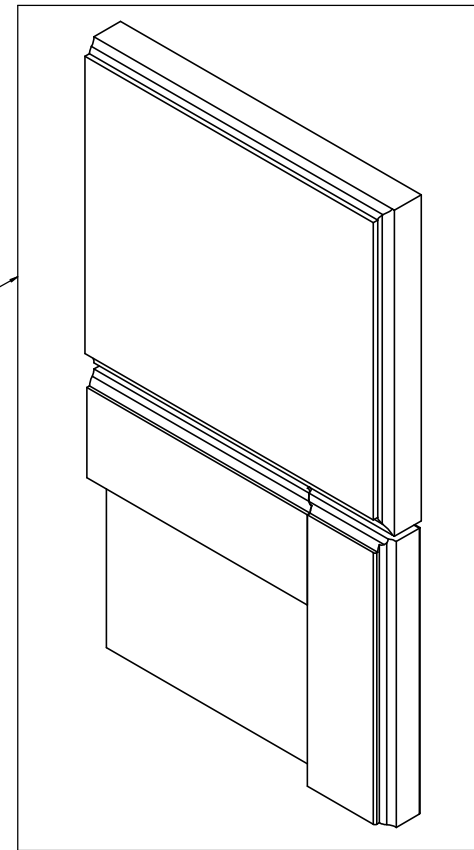
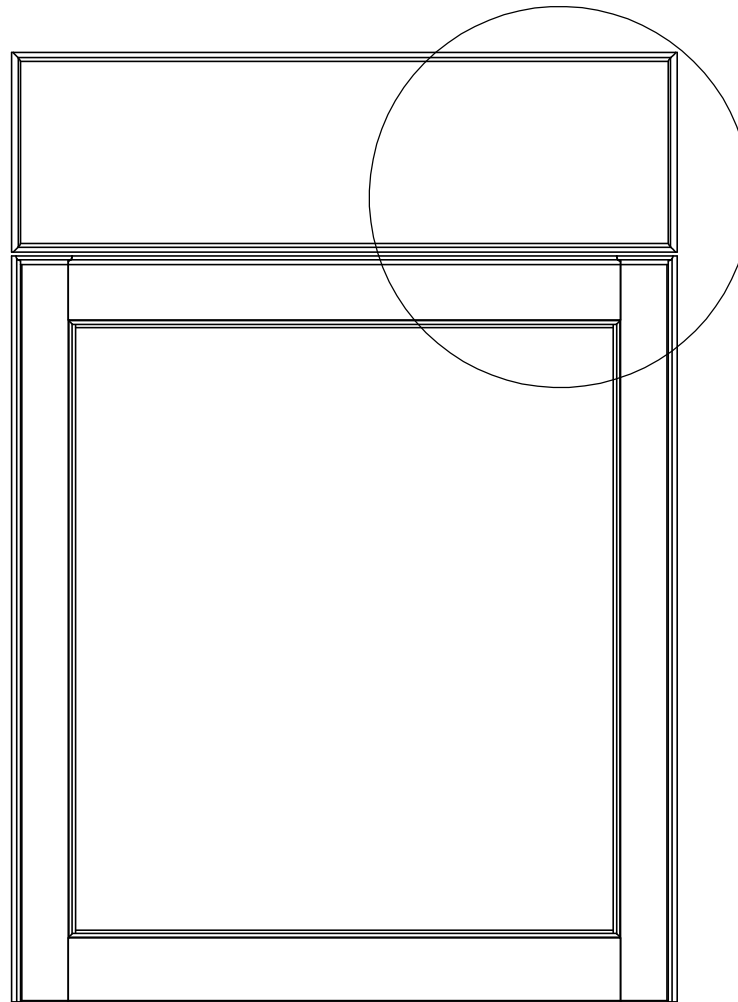


Item ID	Front Thickness [in] mm	Door Thickness [in] mm
EH2135B-GB	[.75] 19	[.75] 19

This profile belongs to EH2135B-GB



Detailed View

Profile: Easthaven German Beech

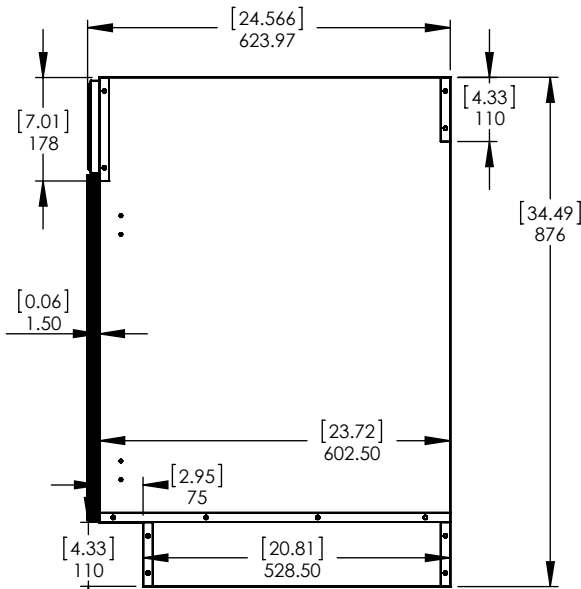
PROPRIETARY AND CONFIDENTIAL
 THE INFORMATION CONTAINED IN THIS DRAWING IS THE SOLE PROPERTY OF WOODCRAFTERS. ANY REPRODUCTION IN PART OR AS A WHOLE WITHOUT THE WRITTEN PERMISSION OF WOODCRAFTERS IS PROHIBITED.

UNLESS OTHERWISE SPECIFIED
 DIMENSIONS ARE IN MM AND [INCHES]
 TOLERANCES ARE
 +.039[1]-.039[1]
 SCALE:1:2

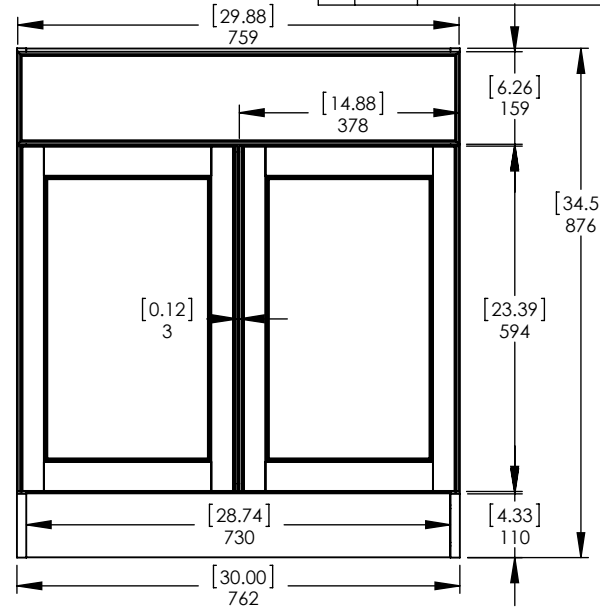


Item ID	Description
EH3035S-GB	Kitchens - Easthaven Sink Base Cabinet with False Drawer Front in Unfinished German Beech 30in W x 24.625 D x 34.5 H

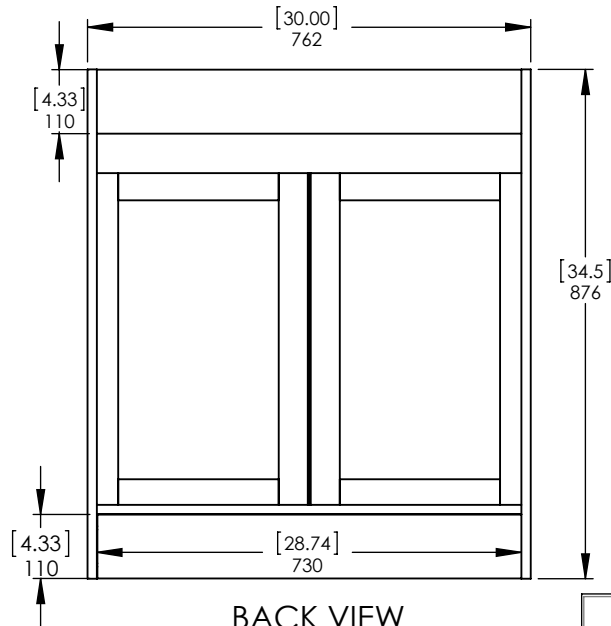
Rev	ECO #	Description	REV'D BY DATE	CHK'D BY DATE	APRV'D BY DATE
0		New Release	KISM 10/10/16	KISM 10/10/16	KISM 10/10/16
1	1773	Change of position on back lower cleat (729mm)	RR 8/29/17	RR 8/29/17	RR 8/29/17



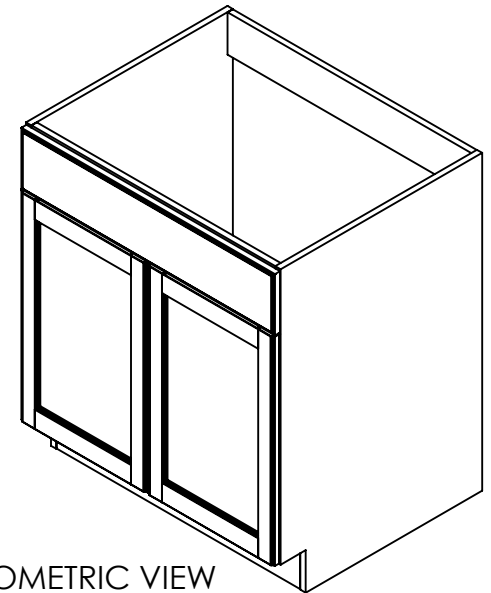
SIDE VIEW



FRONT VIEW



BACK VIEW



ISOMETRIC VIEW

<p>PROPRIETARY AND CONFIDENTIAL</p> <p>THE INFORMATION CONTAINED IN THIS DRAWING IS THE SOLE PROPERTY OF WOODCRAFTERS. ANY REPRODUCTION IN PART OR AS A WHOLE WITHOUT THE WRITTEN PERMISSION OF WOODCRAFTERS IS PROHIBITED.</p>	<p>UNLESS OTHERWISE SPECIFIED</p> <p>DIMENSIONS ARE IN MM. AND [INCHES]</p> <p>TOLERANCES ARE + 0.039 [1] - 0.039 [1]</p> <p>SCALE:1:13</p>	NAME	DATE		<p>SIZE DWG. NO.</p> <p>A Base_Sink_Cabinet_30in</p>	<p>SHEET 1 OF 1</p> <p>REV: 1</p>	
		DRAWN	Kadir S.				10/3/16
		CHECKED	Kadir S.				10/3/16
		ENG APPR.	V. Sanchez				