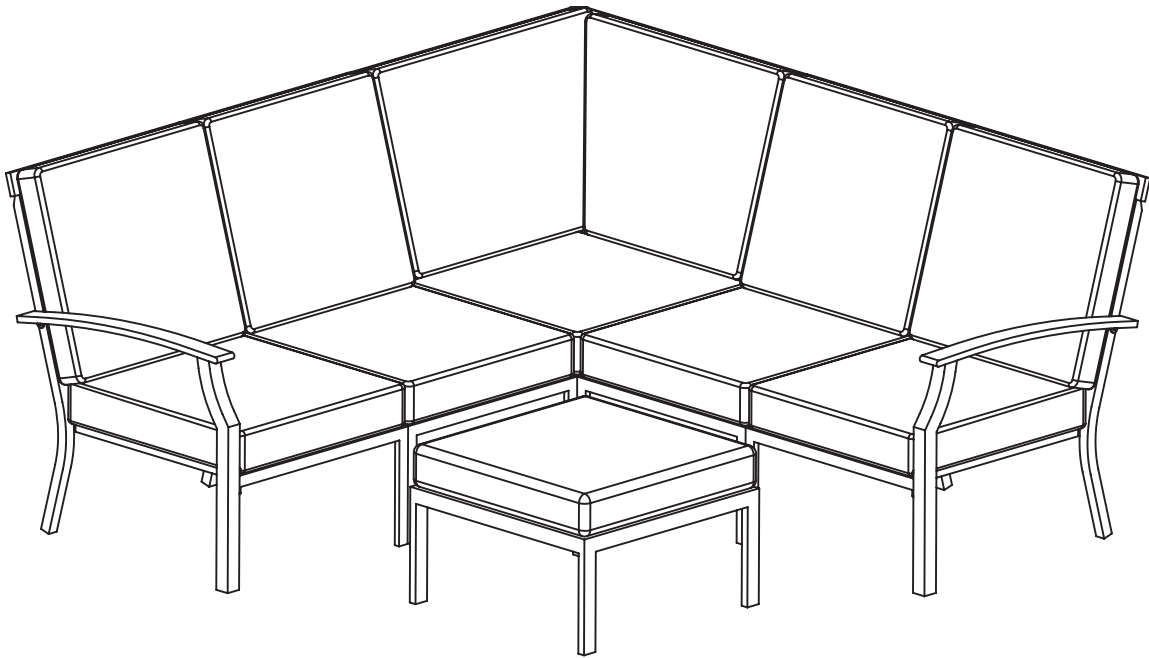


Item # 1005 442 742
Model # FRS60704A-STB

HAMPTON BAY[®]

USE AND CARE GUIDE

GENEVA 6PC SECTIONAL SET - BARE



Questions, problems, missing parts? Before returning to the store,
call Hampton Bay Customer Service
8 a.m. - 7 p.m., EST, Monday – Friday, 9 a.m. – 6 p.m., EST, Saturday

1-855-HD-HAMPTON

HAMPTONBAY.COM

THANK YOU


We appreciate the trust and confidence you have placed in Hampton Bay through the purchase of this set. We strive continually to create quality products designed to enhance your home. Visit us online to see our full line of products available for your home improvement needs. Thank you for choosing Hampton Bay!


Table of Contents

Table of Contents	2	Left Arm Chair Package Contents	5
Important Safety Instructions	2	Right Arm Chair Package Contents	6
Save These Instructions	2	Armless Chair Package Contents	7
Read All Instructions before Use	2	Ottoman Package Contents	8
Warranty	3	Corner Chair Assembly	9
What is covered	3	Left Arm Chair Assembly	13
What is not covered	3	Right Arm Chair Assembly	16
Pre-Assembly	3	Armless Chair Assembly	19
Planning Assembly	3	Set Assembly	21
Hardware Included	4	Care and Cleaning	22
Corner Chair Package Contents	4		

Important Safety Instructions

SAVE THESE INSTRUCTIONS


 **WARNING:** THIS SET WAS MADE FOR THE EXPLICIT PURPOSE OF PROVIDING OUTDOOR FUNCTIONS AND IS NOT TO BE USED AS A TOY. THIS PRODUCT IS INTENDED FOR NORMAL OUTDOOR USE; HOWEVER, THE MANUFACTURER RECOMMENDS STORING AND/OR COVERING THIS PRODUCT WHEN ANY FORMIDABLE/SEVERE WEATHER IS APPROACHING.

 **WARNING:** DO NOT LOCATE THIS PRODUCT NEAR OPEN FLAMES. DO NOT USE THIS PRODUCT AS A SUPPORT. DO NOT SHAKE, LEAN OR CLIMB ON THE PRODUCT. CHILDREN UNDER THE AGE OF 10, NEAR THE PRODUCT, SHOULD BE SUPERVISED BY A COMPETENT ADULT AT ALL TIMES. THIS PRODUCT IS NOT INTENDED FOR COMMERCIAL USE AND WILL VOID THE WARRANTY.

READ ALL INSTRUCTIONS BEFORE USE

To reduce the risk of injury to persons:

1. Close supervision is necessary when this furnishing is used by or near children, or disabled persons, if applicable.
2. Use this furnishing only for its intended use as described in these instructions. Do not use attachments not recommended by the manufacturer.
3. Do not move the sectional while it is occupied. Failure to obey this caution could result in injury.
4. Do not rock in the sectional as you may fall and cause serious injury.
5. Please keep children out of the assembly area before assembly.


 **CAUTION:** When not in use, secure the product in a cool and covered location.

 **CAUTION:** Do not locate the product near any heat sources.

 **WARNING:** Weight limit for chair is 250lbs (113.39Kg).

 **WARNING:** Weight limit for ottoman is 225lbs (102.06Kg).

 **WARNING:** This sectional is heavy, and may require two adults for safe assembly.

 **WARNING:** Never use this product as a support. Do not shake, lean, or climb on the product at any time.

 **WARNING:** Do not place heavy objects on the sectional.

Warranty

3 YEAR FRAME LIMITED WARRANTY

WHAT IS COVERED

We warrant the frames to be free of manufacturing defects to the original purchaser for three years.

WHAT IS NOT COVERED

It remains the customer's responsibility for freight and packaging charges to and from our service center. This warranty does not cover commercial use, hardware, acts of nature, fire, freezing and abusive use. In addition, purchased parts are not covered under this warranty. We reserve the right to make substitutions with similar merchandise, if the model in question is no longer in production.

Contact the Customer Service Team at 1-855-HD-HAMPTON or visit www.HAMPTONBAY.com.

Pre-assembly

PLANNING ASSEMBLY

Read all instructions before assembly.

To avoid damaging this product, assemble it on a soft, non-abrasive surface such as carpet or cardboard.



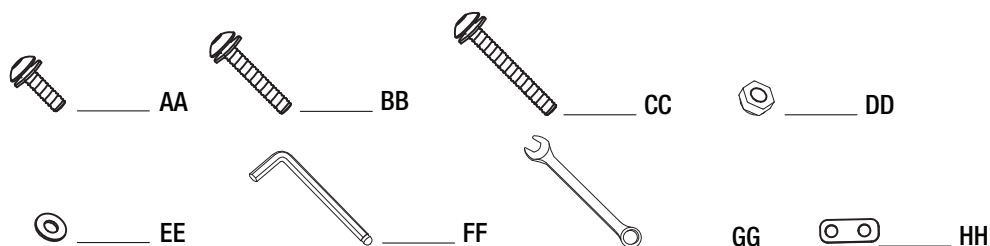
NOTE: More than one person may be required to assemble this product.

Pre-assembly (continued)

HARDWARE INCLUDED

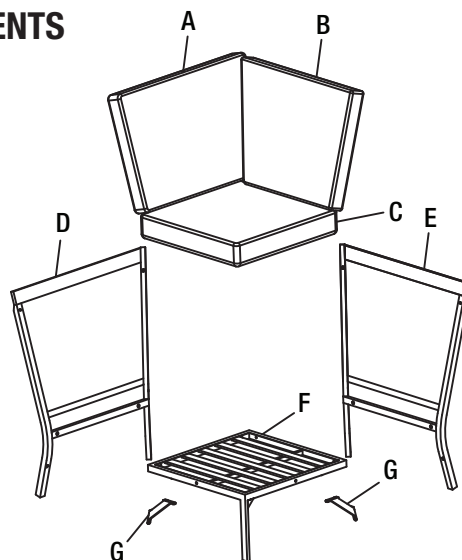


NOTE: Hardware not shown to actual size.



Part	Description	Quantity
AA	M6x15 Combination Bolt	32+1
BB	M6x30 Combination Bolt	13+1
CC	M6x45 Combination Bolt	4+1
DD	M6 Nut	4+1
EE	M6 Washer	4+1
FF	Hex Wrench	1
GG	Wrench	1
HH	Metal Sheet	5

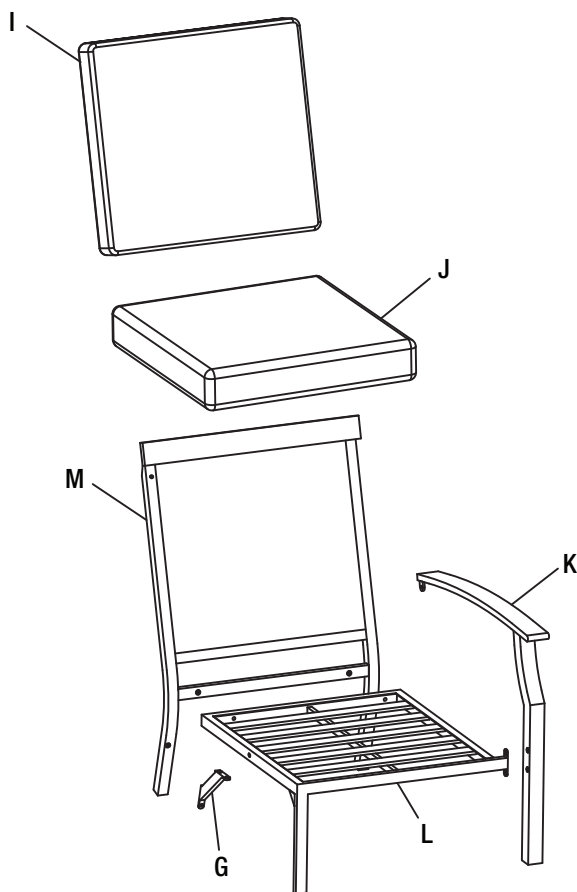
CORNER CHAIR PACKAGE CONTENTS



Part	Description	Quantity
A	Corner Chair Back Cushion A	1
B	Corner Chair Back Cushion B	1
C	Corner Chair & Ottoman Seat Cushion	1
D	Right Backrest	1
E	Left Backrest	1
F	Corner Chair Seat	1
G	Corner Brace	2

Pre-assembly (continued)

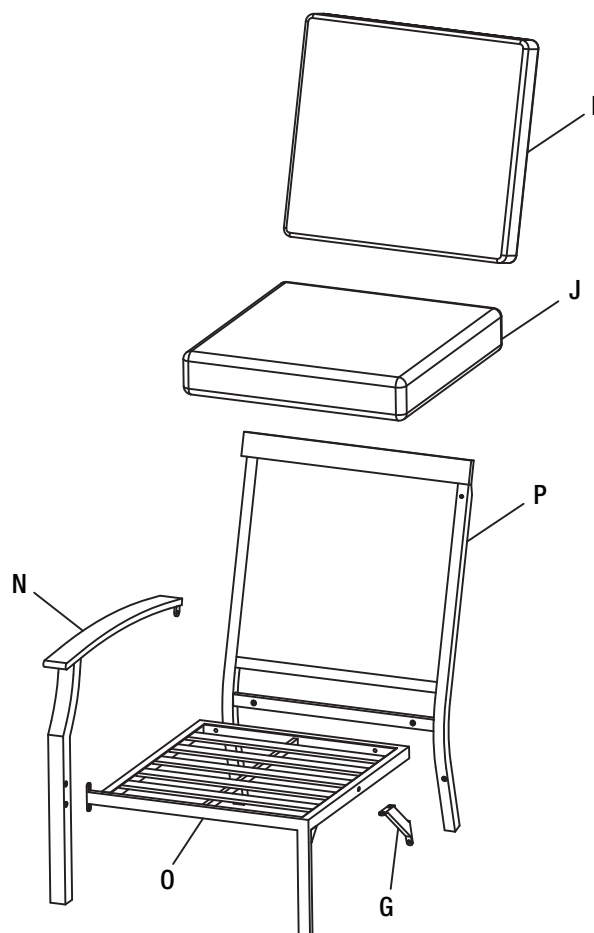
LEFT ARM CHAIR PACKAGE CONTENTS



Part	Description	Quantity
G	Corner Brace	1
I	Back Cushion	1
J	Seat Cushion	1
K	Left Arm	1
L	Left Arm Chair Seat	1
M	Left Arm Chair Backrest	1

Pre-assembly (continued)

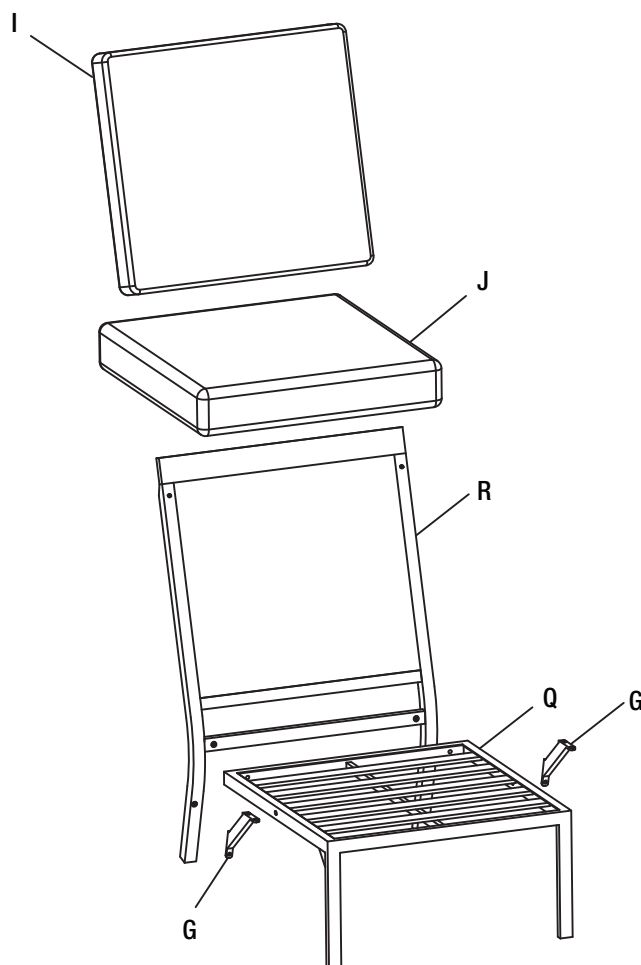
RIGHT ARM CHAIR PACKAGE CONTENTS



Part	Description	Quantity
G	Corner Brace	1
I	Back Cushion	1
J	Seat Cushion	1
N	Right Arm	1
O	Right Arm Chair Seat	1
P	Right Arm Chair Backrest	1

Pre-assembly (continued)

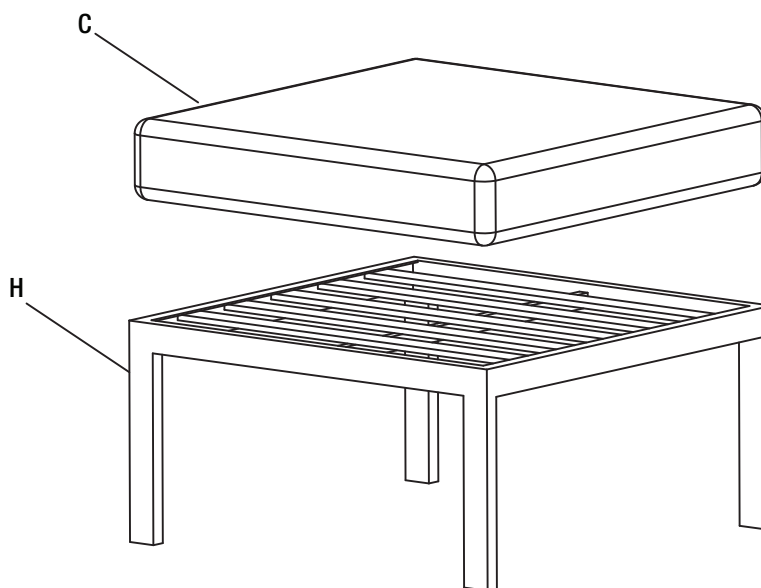
ARMLESS CHAIR PACKAGE CONTENTS



Part	Description	Quantity
G	Corner Brace	4
I	Back Cushion	2
J	Seat Cushion	2
Q	Armless Chair Seat	2
R	Armless Chair Backrest	2

Pre-assembly (continued)

OTTOMAN PACKAGE CONTENTS



Part	Description	Quantity
C	Corner Chair & Ottoman Cushion	1
H	Ottoman	1

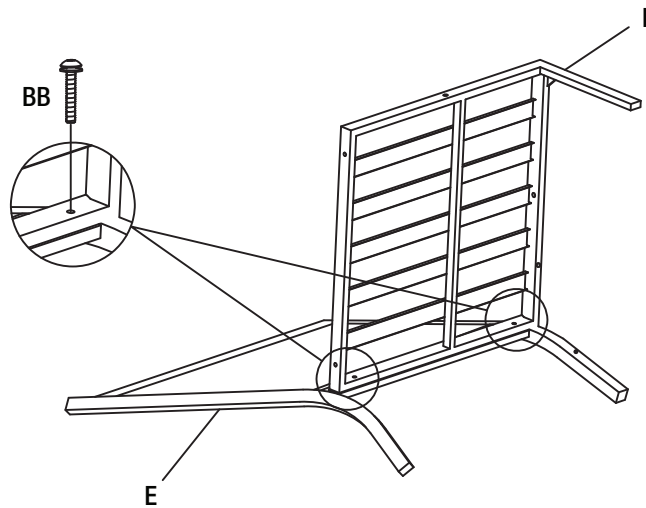
Corner Chair Assembly

1 Attaching The Corner Chair Seat To The Left Backrest



NOTE: Loosely tighten all bolts using the hex wrench (FF).

- Place the left backrest (E) on a soft place.
- Attach the corner chair seat (F) to the left backrest (E) using M6x30 combination bolts (BB).

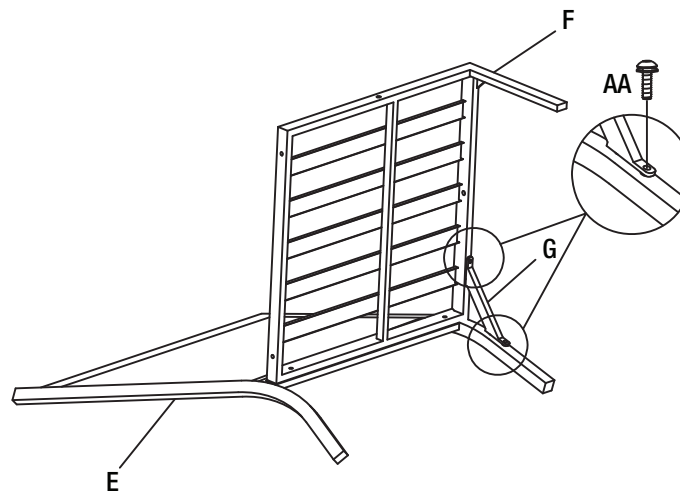


2 Attaching The Corner Brace To The Corner Chair Seat And The Left Backrest



NOTE: Loosely tighten all bolts using the hex wrench (FF).

- Attach the corner brace (G) to the corner chair seat (F) and the left backrest (E) using M6x15 combination bolts (AA).



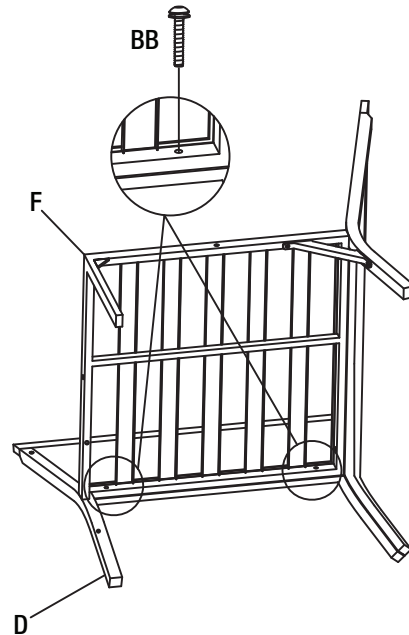
Corner Chair Assembly (continued)

3 Attaching The Corner Chair Seat To The Right Backrest



NOTE: Loosely tighten all bolts using the hex wrench (FF).

- Attach the corner chair seat (F) to the right backrest (D) using M6x30 combination bolts (BB).

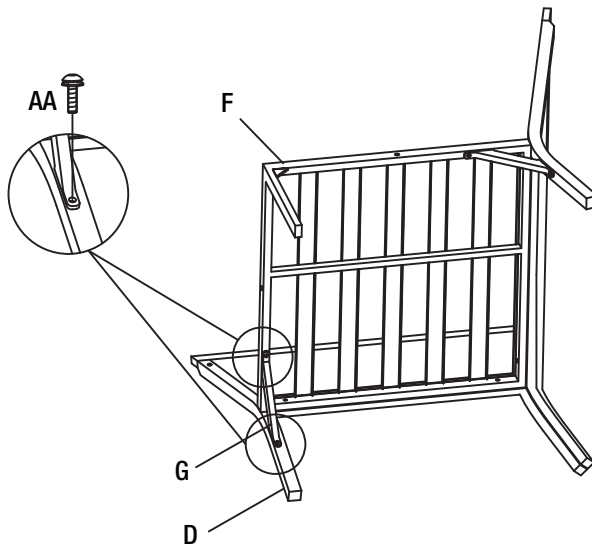


4 Attaching The Corner Brace To The Corner Chair Seat And The Right Backrest



NOTE: Loosely tighten all bolts using the hex wrench (FF).

- Attach the corner brace (G) to the corner chair seat (F) and the right backrest (D) using M6x15 combination bolts (AA).



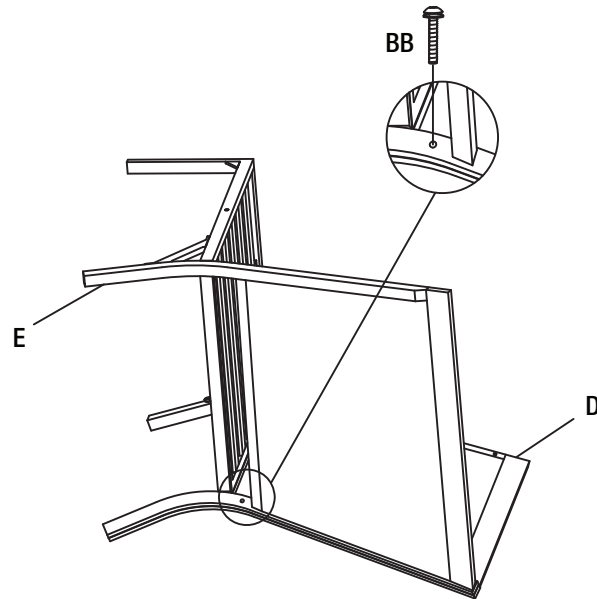
Corner Chair Assembly (continued)

5 Attaching The Right Backrest With The Left Backrest



NOTE: Loosely tighten all bolts using the hex wrench (FF).

- Attach the right backrest (D) with the left backrest (E) using M6x30 combination bolts (BB).

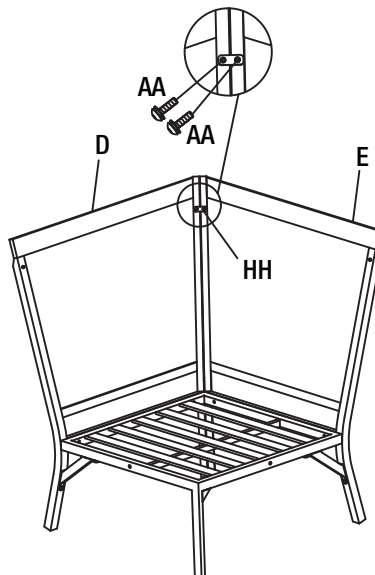


6 Attaching The Metal Plate To The Right Backrest And The Left Backrest



NOTE: Loosely tighten all bolts using the hex wrench (FF).

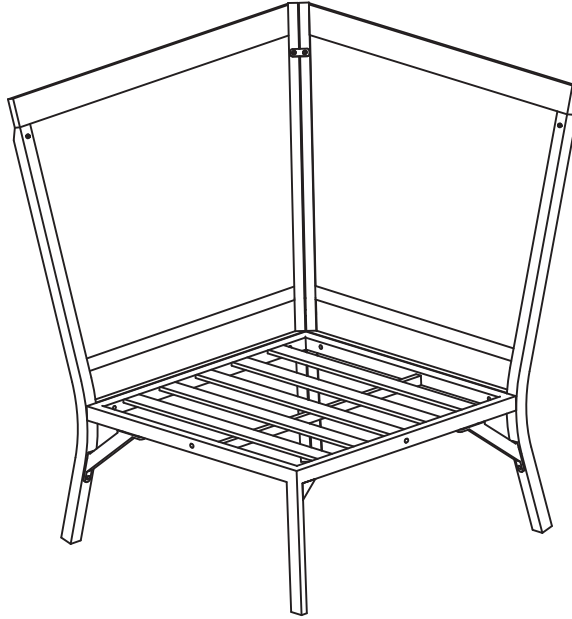
- Turn the chair right side up.
- Attach the metal plate (HH) to the left backrest (E) and the right backrest (D) using the M6x15 combination bolts (AA).



Corner Chair Assembly (continued)

7 Tightening The Bolts

- Once all of the bolts are in place, fully tighten the bolts.
- Ensure all connections are secure before use.



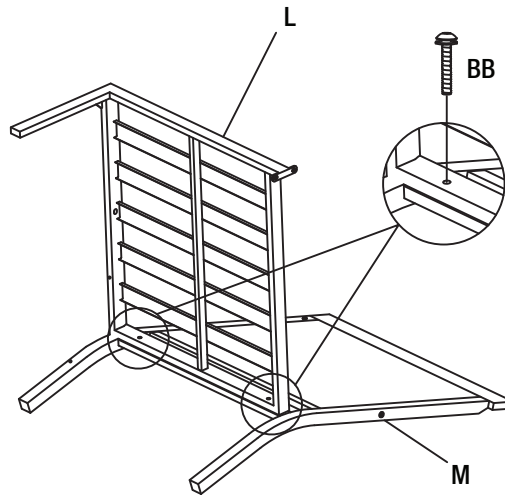
Left Arm Chair Assembly

1 Attaching The Left Arm Chair Seat To The Left Arm Chair Backrest



NOTE: Loosely tighten all bolts using the hex wrench (FF).

- Place the left arm chair backrest (M) on a soft place.
- Attach the left arm chair seat (L) to the left arm chair backrest (M) using M6x30 combination bolts (BB).

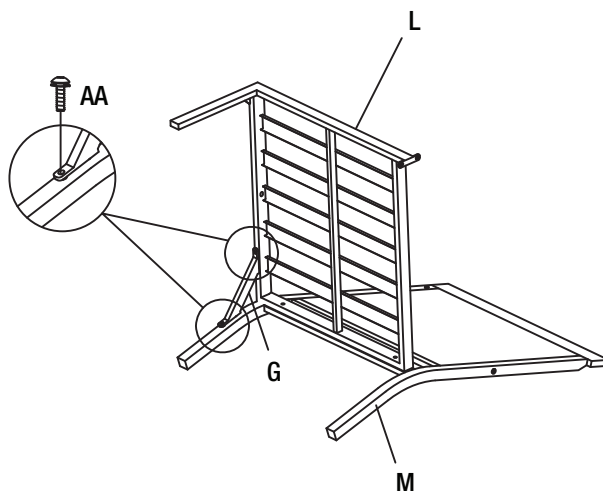


2 Attaching The Corner Brace To The Left Arm Chair Seat And The Left Arm Chair Backrest



NOTE: Loosely tighten all bolts using the hex wrench (FF).

- Attach the corner brace (G) to the left arm chair seat (L) and the left arm chair backrest (M) using M6x15 combination bolts (AA).



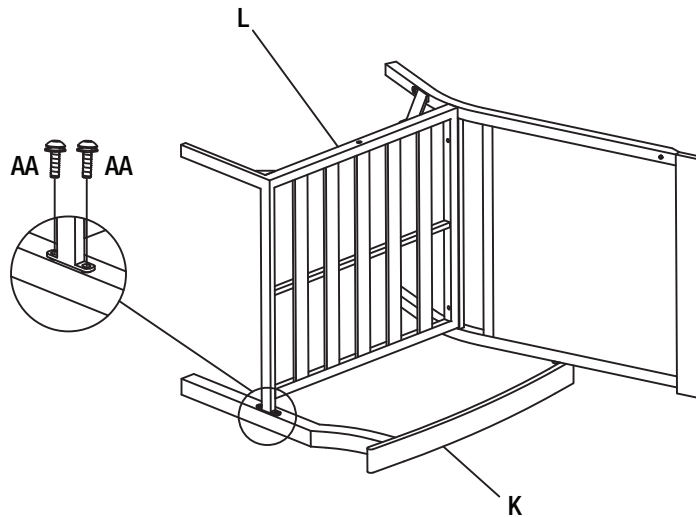
Left Arm Chair Assembly (continued)

3 Attaching The Left Arm Chair Seat To The Left Arm



NOTE: Loosely tighten all bolts using the hex wrench (FF).

- Attach the left arm chair seat (L) to the left arm (K) using M6x15 combination bolts (AA).

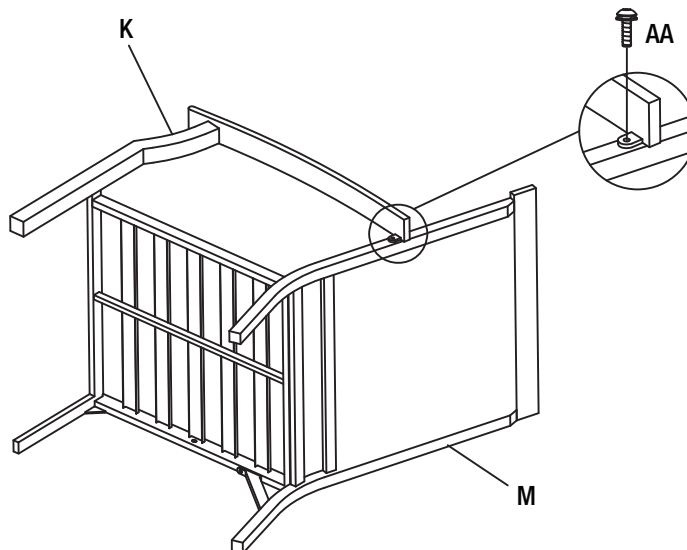


4 Attaching The Left Arm To The Left Arm Chair Backrest



NOTE: Loosely tighten all bolts using the hex wrench (FF).

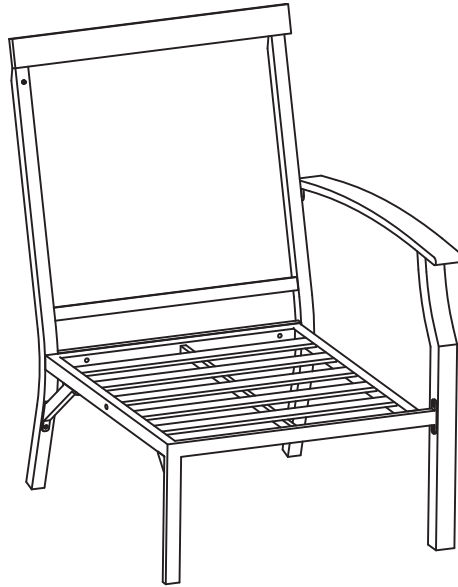
- Attach the left arm (K) to the left arm chair backrest (M) using M6x15 combination bolts (AA).



Left Arm Chair Assembly (continued)

5 Tightening The Bolts

- Once all of the bolts are in place, fully tighten the bolts.
- Turn the chair right side up.
- Ensure all connections are secure before use.



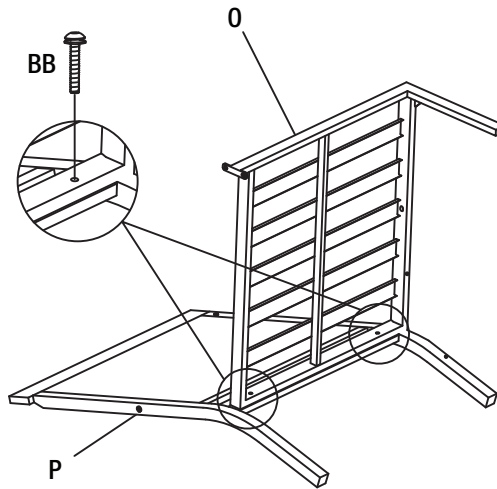
Right Arm Chair Assembly

1 Attaching The Right Arm Chair Seat To The Right Arm Chair Backrest



NOTE: Loosely tighten all bolts using the hex wrench (FF).

- Place the right arm chair backrest (P) on a soft place.
- Attach the right arm chair seat (O) to the right arm chair backrest (P) using M6x30 combination bolts (BB).

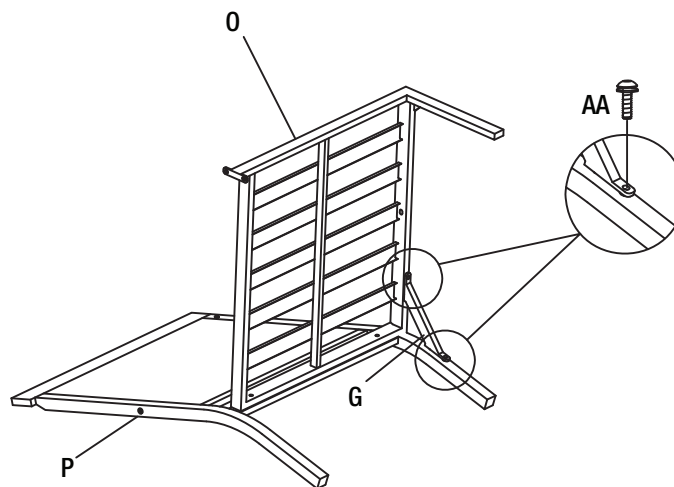


2 Attaching The Corner Brace To The Right Arm Chair Seat And The Right Arm Chair Backrest



NOTE: Loosely tighten all bolts using the hex wrench (FF).

- Attach the corner brace (G) to the right arm chair seat (O) and the right arm chair backrest (P) using M6x15 combination bolts (AA).



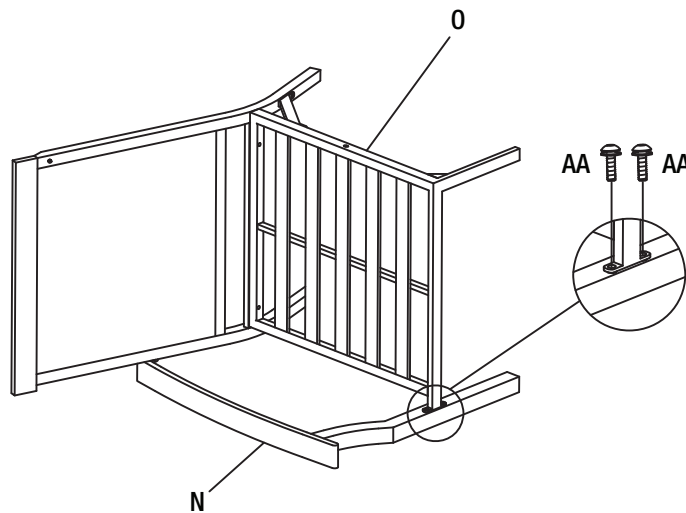
Right Arm Chair Assembly (continued)

3 Attaching The Right Arm Chair Seat To The Right Arm



NOTE: Loosely tighten all bolts using the hex wrench (FF).

- Attach the right arm chair seat (O) to the right arm (N) using M6x15 combination bolts (AA).

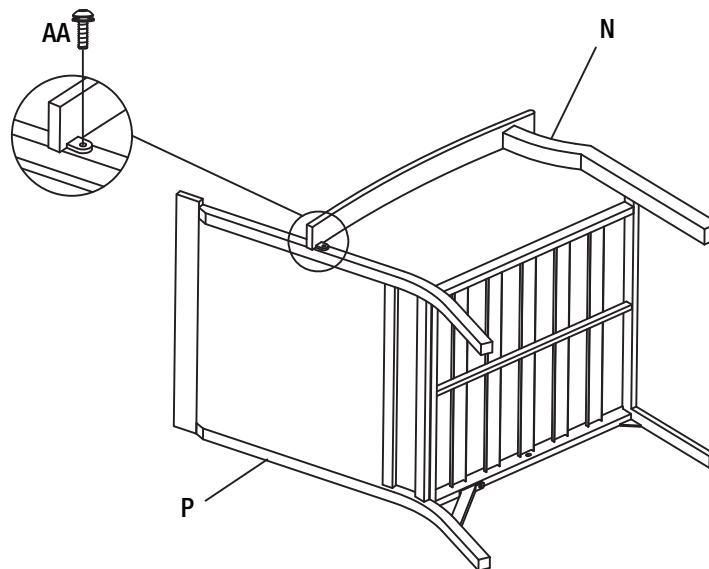


4 Attaching The Right Arm To The Right Arm Chair Backrest



NOTE: Loosely tighten all bolts using the hex wrench (FF).

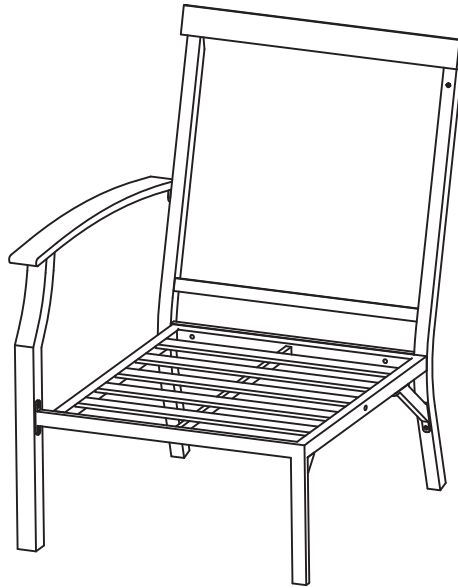
- Attach the right arm (N) to the right arm chair backrest (P) using M6x15 combination bolts (AA).



Right Arm Chair Assembly (continued)

5 Tightening The Bolts

- Once all of the bolts are in place, fully tighten the bolts.
- Turn the chair right side up.
- Ensure all connections are secure before use.



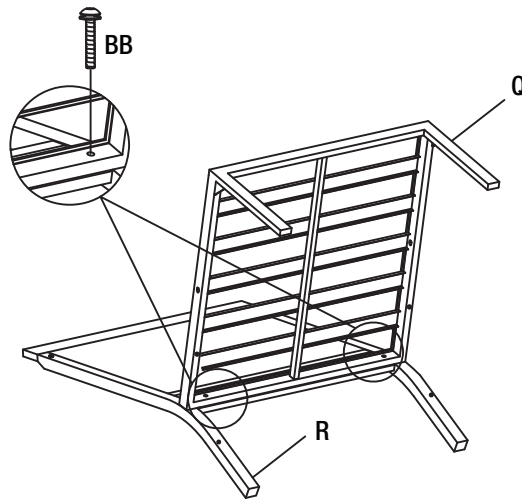
Armless Chair Assembly

1 Attaching The Armless Chair Seat To The Armless Chair Backrest



NOTE: Loosely tighten all bolts using the hex wrench (FF).

- Place the armless chair backrest (R) on a soft place.
- Attach the armless chair seat (Q) to the armless chair backrest (R) using M6x30 combination bolts (BB).

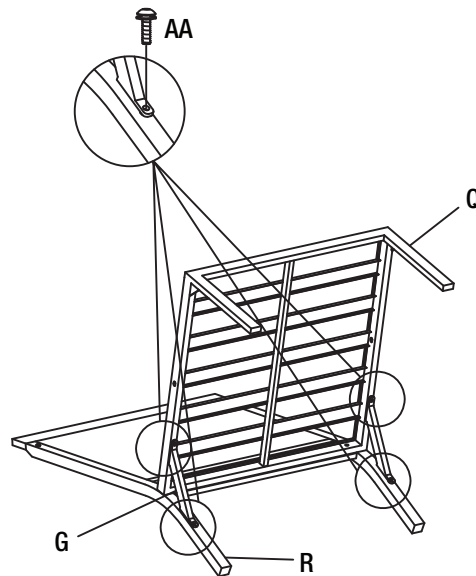


2 Attaching The Corner Brace To The Armless Chair Seat And The Armless Chair Backrest



NOTE: Loosely tighten all bolts using the hex wrench (FF).

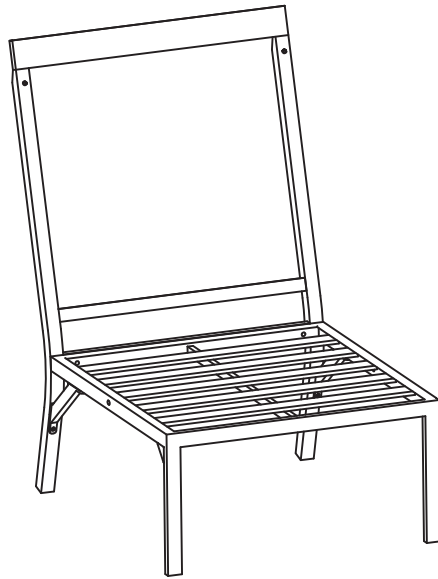
- Attach the corner brace (G) to the armless chair seat (Q) and the armless chair backrest (R) using M6x15 combination bolts (AA).



Armless Chair Assembly (continued)

3 Tightening The Bolts

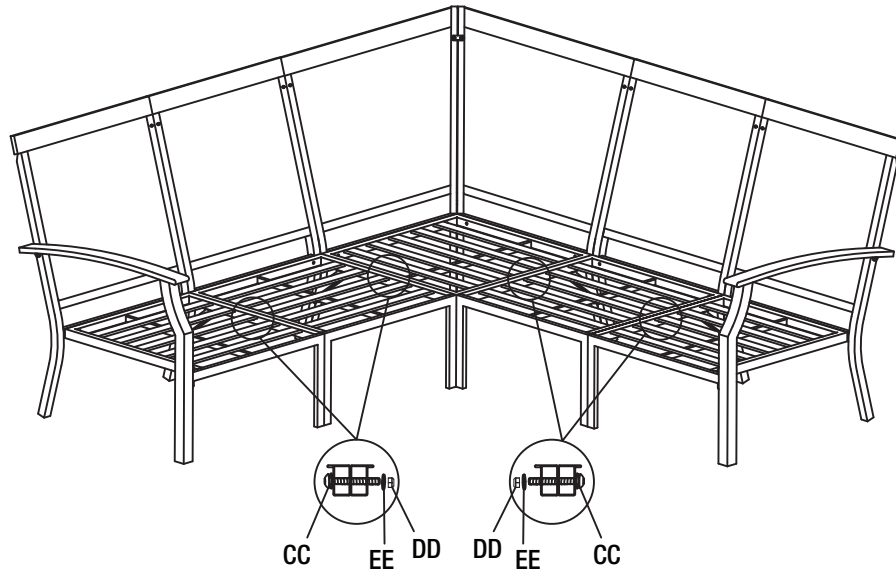
- Once all of the bolts are in place, fully tighten the bolts.
- Turn the chair right side up.
- Ensure all connections are secure before use.



Set Assembly

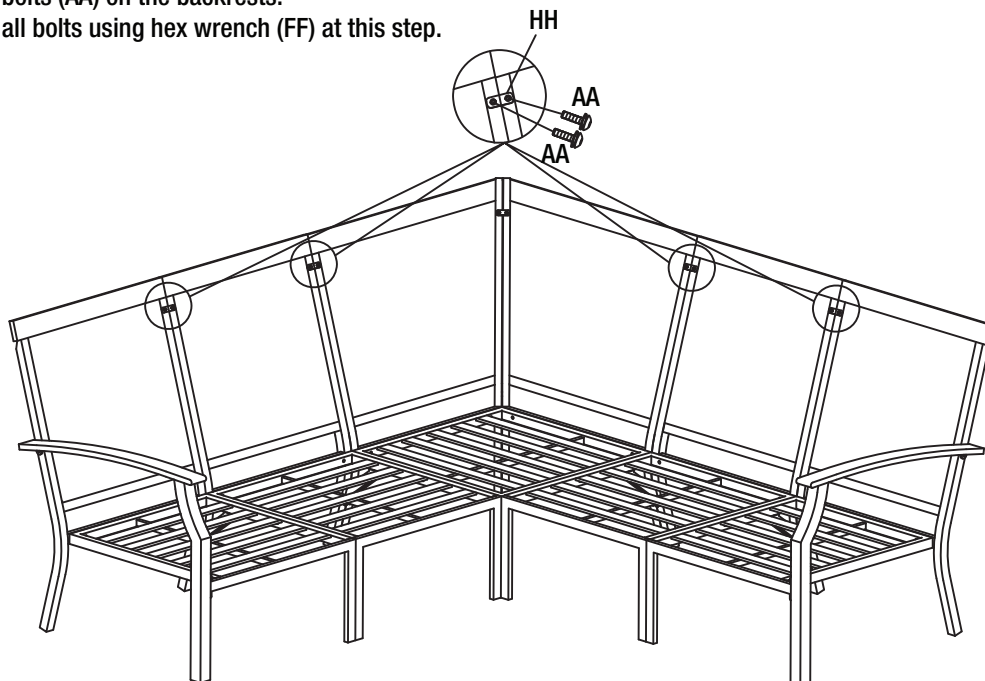
1 Connecting The Seat

- Connect the sectional seat together using M6x45 combination bolts (CC), M6 washers (EE) and M6 nuts (DD).
- Fully tighten all bolts using hex wrench (FF) and wrench (GG) at this step.



2 Attaching The Backrests

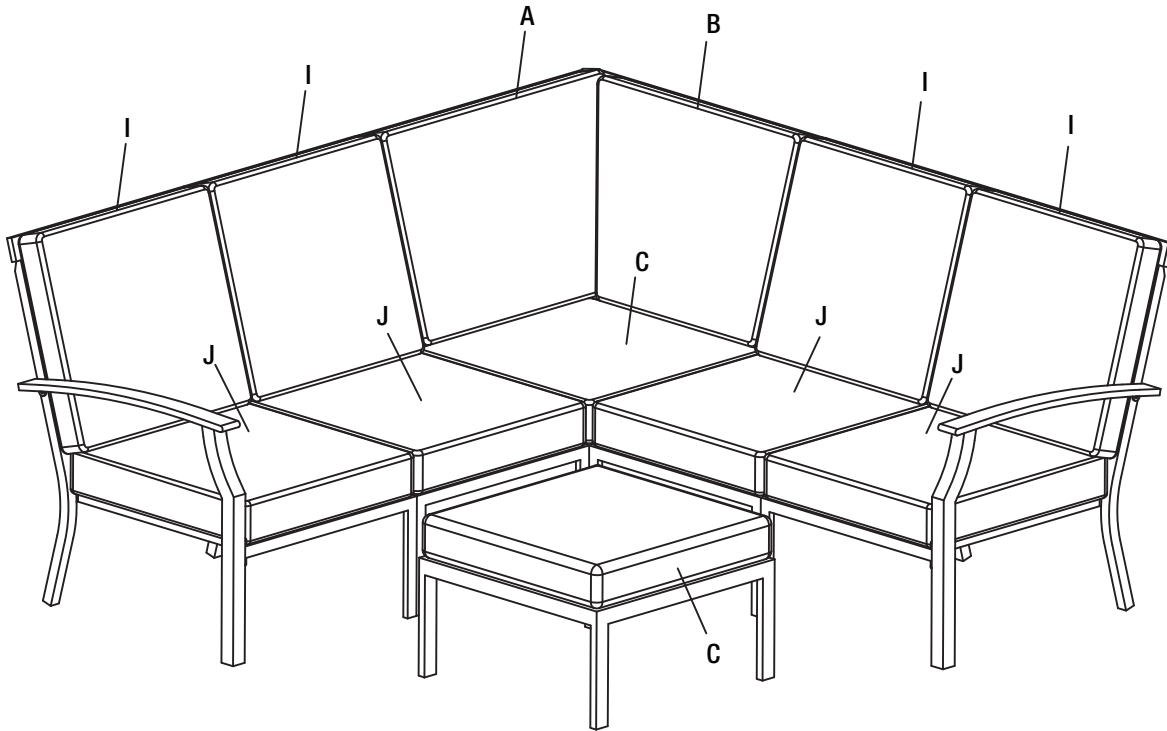
- Attach the sectional using metal plate (HH) and M6x15 combination bolts (AA) on the backrests.
- Fully tighten all bolts using hex wrench (FF) at this step.



Set Assembly (continued)

3 Checking The Set

- Ensure all connections are secure before use.
- Place the corner chair back cushions (A&B), corner chair & ottoman seat cushions (C), the back cushions (I), the seat cushion (J) to finish the assembly of the sectional set.



Care and Cleaning

- For best results, clean the frame and fabric with a damp cloth and dry thoroughly. This will help prevent mildew by removing dirt particles that may accumulate.
- Do not clean with abrasive materials, bleach or solvents.
- Store the set in a dry sheltered place when not in use.
- Keep the set away from fire, extreme heat, freezing conditions, and inclement weather such as rain, hail, sleet, snow, or wind.

HAMPTON BAY[®]

Questions, problems, missing parts? Before returning to the store,
call Hampton Bay Customer Service
8 a.m. – 7 p.m., EST, Monday – Friday, 9 a.m. – 6 p.m., EST, Saturday

1-855-HD-HAMPTON

HAMPTONBAY.COM

Retain this manual for future use.

For certification use only

Factory Corner Chair ID# FRS60704A
Factory Left Arm Chair ID# FRS60704B
Factory Right Arm Chair ID# FRS60704C
Factory Armless Chair ID# FRS60704D
Factory Ottoman ID# FSS60666F