

# Installation Instruction for Apron Sink

## Tools and Materials

- Tape Measure
- Safety Glasses
- Saw
- Construction Adhesive
- Screw Driver
- Gloves
- Pencil



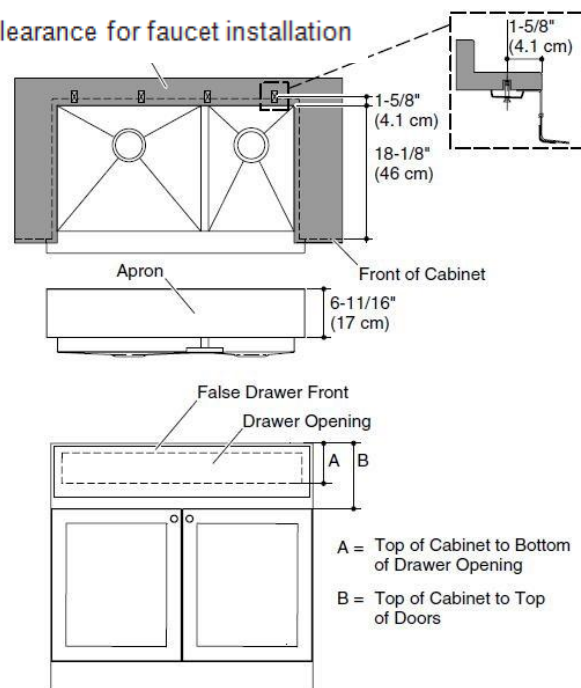
## Attention Installer

- Due to the nature of apron installations, we recommend that apron sink installations be performed by trained and experienced installers.
- Sink edge may be sharp; handle with caution.
- Clean the sink surface with a soft towel to prevent scratch products.
- Inspect sink for damage prior to beginning installation.

## Installing Sink

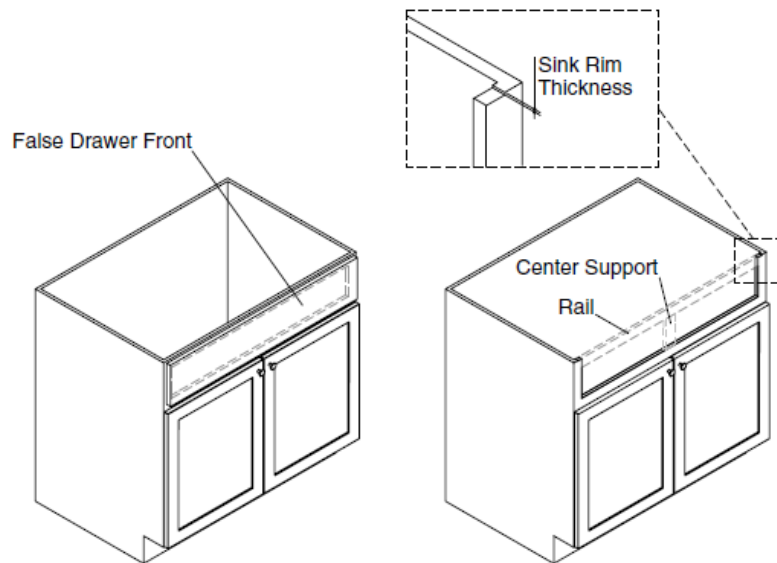
### 1. Roughing-in

Ensure sufficient clearance for faucet installation



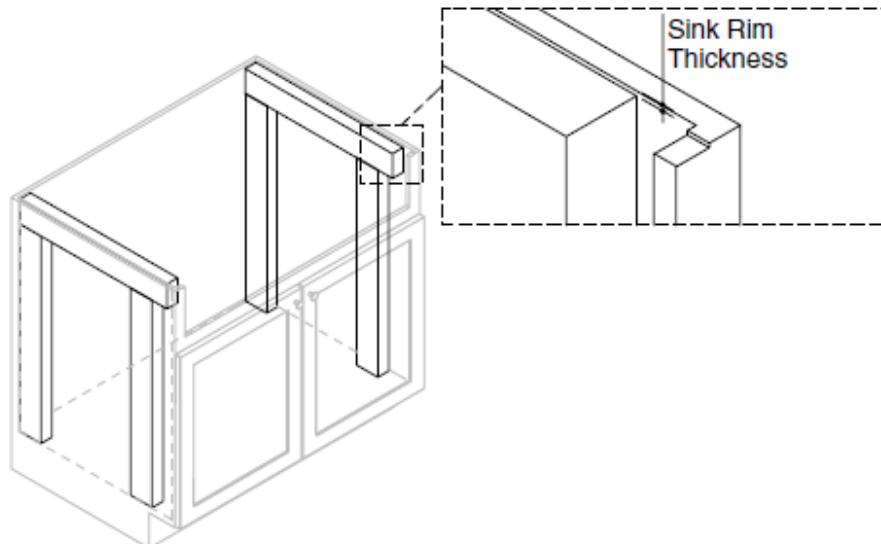
**IMPORTANT!** Before installing this sink, verify the opening height (A) is less than the apron height and the distance to the top of the doors (B) is greater than the apron height.

## 2. Preparation



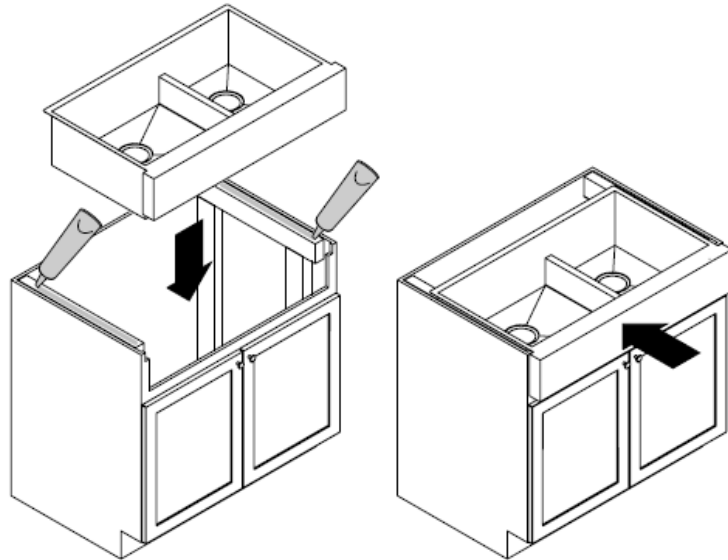
- Remove the false drawer front from your cabinet.
- Carefully cut away the top rail and center support.
- Notch the cabinet as shown to accommodate the thickness of the sink rim. Top of sink should be flush with the top of the cabinet when installed.

## 3. Install Wood Supports



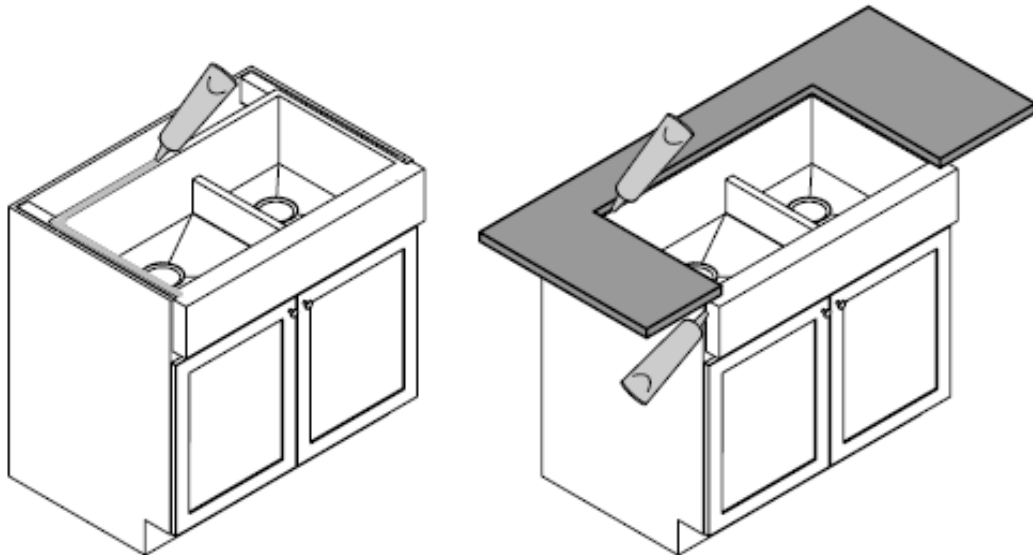
- Cut two lengths of support framing to extend along the inside walls on each side of the base cabinet.
- Measure and mark the support mounting locations; ensuring the sink rim will sit at, or slightly below the top edge of the cabinet.
- Position and level the supports.
- Secure the supports with construction adhesive and screws (not provided).
- Cut four lengths of support framing to extend from the bottom of the installed supports to the floor of the cabinet.
- Secure the vertical supports with construction adhesive and screws (not provided).

#### 4. Install the Sink



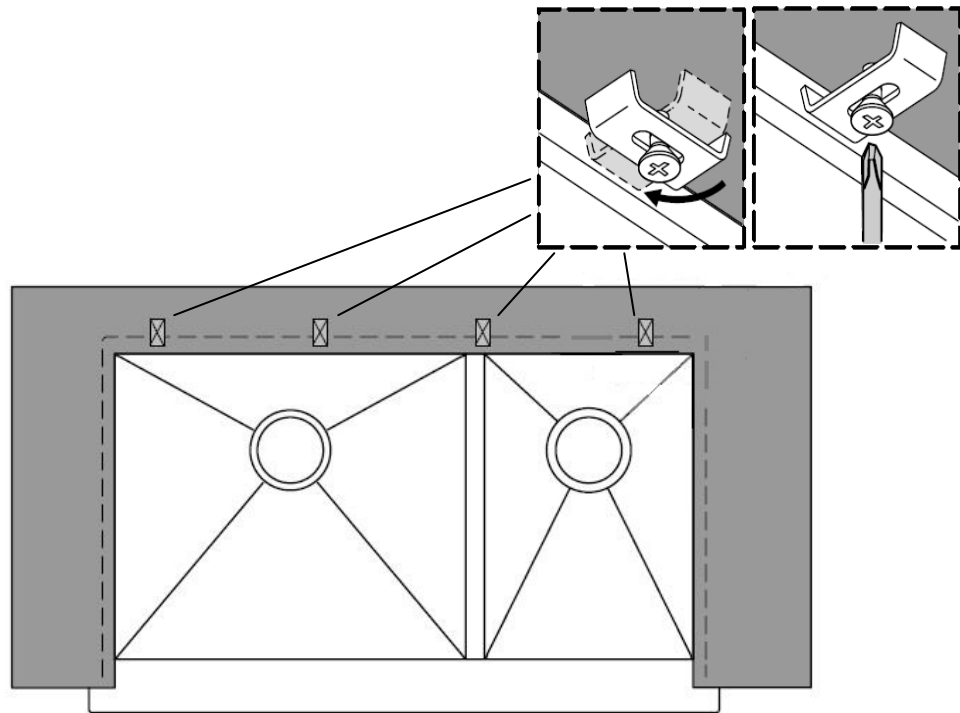
- Lower the sink into the cabinet. Verify the sink is supported by the frame.
- Verify the sink is level, make any adjustments and shim as needed.
- Remove the sink.
- Apply a bead of sealant to the top of each support.
- Lower the sink onto the supports and push in to ensure the apron is flush to the front of the cabinet.

#### 5. Install the Countertop



- Apply a bead of silicone sealant around the side and back of the sink.
- Install the countertop
- Apply a thin bead of silicone sealant where the sink meets the countertop and cabinet.

## 6. Secure the Sink



- Determine placement of clip brackets. Pre-drill holes according to method desired
- Position and align sink over opening. Press sink onto Silicon seal. After re-checking alignment, install the clips to the countertop, ensure each clip engages the rim. Tighten evenly.
- Remove excess sealant and dry for at least 24 hours.