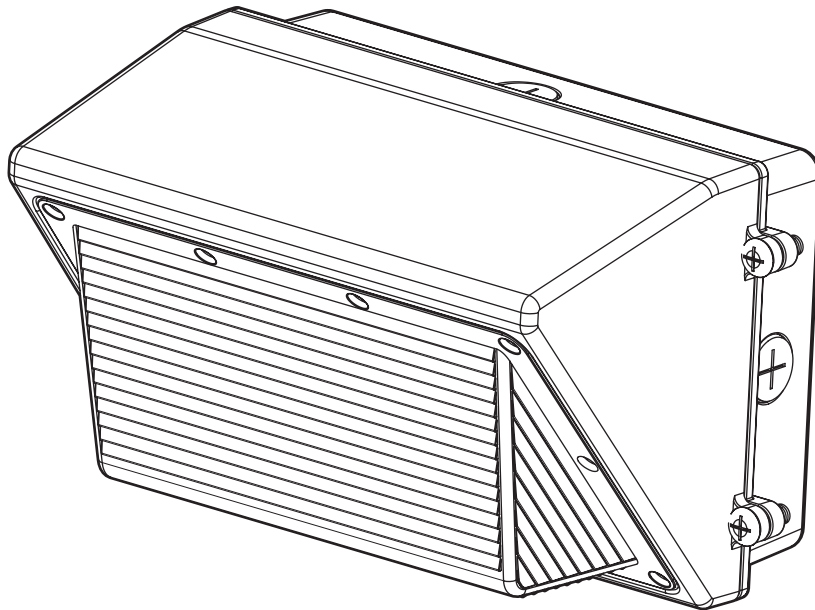


# USE AND CARE GUIDE

---

## POWERWALL LED WALLPACK



Questions, problems, missing parts? Before returning to the store,  
call Commercial Electric Customer Service  
9 a.m. - 5 p.m., EST, Monday - Friday

**1-844-548-3776**

**HOMEDEPOT.COM**

---

### THANK YOU

*We appreciate the trust and confidence you have placed in Commercial Electric through the purchase of this LED wallpack. We strive to continually create quality products designed to enhance your home. Visit us online to see our full line of products available for your home improvement needs. Thank you for choosing Commercial Electric!*

# Table of Contents

Safety Information .....	2	Installation .....	5
Warranty .....	2	Operation.....	8
Pre-Installation.....	3	Care and Cleaning .....	9
Preparing for Installation.....	5	Troubleshooting .....	9

# Safety Information

## IMPORTANT


THIS PRODUCT MUST BE INSTALLED IN ACCORDANCE WITH THE APPLICABLE NATIONAL ELECTRICAL CODE AND LOCAL BUILDING CODES BY A PERSON FAMILIAR WITH THE CONSTRUCTION AND OPERATION OF THE PRODUCT AND THE HAZARDS INVOLVED.


## PRECAUTIONS

- Please read and understand this entire manual before attempting to assemble, install, or operate this light fixture.
- This light fixture requires a 120–277 Volt AC power source.
- Some codes require installation by a qualified electrician.
- This light fixture must be properly grounded.
- Make sure connections are secure using wire nuts, crimp-on lugs or other UL approved connecting devices.
- This light fixture should be installed outdoors to a wall.
- This product may contain chemicals known to be hazardous. Thoroughly wash hands after installing, handling, cleaning or otherwise touching the product.


**NOTICE:** Do not connect this fixture to a dimming switch.

**NOTICE:** FCC Regulations state that any unauthorized changes or modifications to this equipment not expressly approved by the manufacturer could void the user's authorization to operate this equipment.

 **WARNING:** Before installation or servicing, turn the power OFF at the circuit breaker or fuse. Place tape over the circuit breaker switch and verify power is OFF at the light fixture.

 **WARNING:** Risk of fire. Keep the lamp heads at least 3 in. (76 mm) from combustible materials.

 **CAUTION:** Burn hazard. Allow the light fixture to cool before touching.

 **IMPORTANT:** This equipment has been tested and found to comply with the limits for a Class B digital device, pursuant to Part 15 of the FCC rules. These limits are designed to provide reasonable protection against harmful interference in a residential installation. This equipment generates, uses, and can radiate radio frequency energy and, if not installed and used in accordance with the instructions, may cause harmful interference to radio communications. However, there is no guarantee that interference will not occur in a particular installation. If this equipment does cause harmful interference to radio or television reception, which can be determined by turning the equipment OFF and ON, the user is encouraged to try to correct the interference by one or more of the following measures:

- Reorient or relocate the receiving antenna.
- Increase the separation between the equipment and receiver.
- Connect the equipment into an outlet on a circuit different from that to which the receiver is connected.
- Consult the dealer or an experienced radio/TV technician for help.

# Warranty

This is a limited warranty offered by the manufacturer for a period of five years from the date of purchase to its customers. The manufacturer warrants to customers that the products will be free from defects in material and workmanship. The obligation of the manufacturer under this warranty is limited to the provision of replacement of products and is extended to the original purchaser of the product on presenting valid purchase receipt or other proof of date of original purchase acceptable to the manufacturer. The receipt is required for rendering the warranty performance. Any warranty claims without original proof of purchase would not be accepted.

It should be noted that the warranty does not apply to the manufacturer products that have been altered or repaired by unauthorized personnel, have been subjected to neglect, abuse, misuse or accident or damages caused during shipping. Any other products not manufactured by the manufacturer which have been supplied, installed and/or used in conjunction with the manufacturer products are not covered under this warranty. Any damages caused by replacements bulbs, LEDs or corrosion or discoloration of brass components are also not covered by this warranty.

## Warranty (continued)

### LIMITATION OF LIABILITY

In no event shall the manufacturer be liable for indirect, consequential, incidental or special damages, or lost profits. The manufacturer is not liable for any claims or damage arising out of or connected with the manufacture, sale, delivery, use, maintenance and repair or modification of the manufacturer products, or supply of any replacement parts that exceed the purchase price of the manufacturer products giving rise to a claim. Labor charges to remove or install the fixtures will not be accepted.

### TO CLAIM

Please contact The Home Depot customer service at 1-844-548-3776 or email [support@homedepot.com](mailto:support@homedepot.com) and include your name, address and contact number, along with a copy of the purchase receipt and a brief description of the problem..

## Pre-Installation

### PLANNING INSTALLATION

Before installing the light fixture, ensure that all parts are present. Compare parts with the Hardware Included and Package Contents sections. If any part is missing or damaged, do not attempt to assemble, install, or operate this light fixture.

Estimated installation time: 20 minutes

### SPECIFICATIONS

Lumens (Light Output)	3300 Lumens
Watts (Power Consumption)	28 Watts LED
Replaces	100 Watt Metal Halide
Lumens/Watts (Efficacy)	118
Power Requirements (Input Voltage)	120–277VAC
Light Color (CCT)	4000 Kelvins (Bright White)
Dimmable	Non-Dimming (Do not wire to dimming switch)
Operating Modes	<b>Switch-Controlled:</b> Flip switch to turn light fixture ON and OFF.

### TOOLS REQUIRED



Phillips screwdriver



Safety goggles



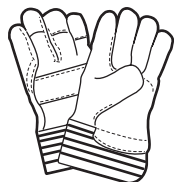
Silicone sealant



Wire strippers/  
cutter



Circuit tester



Work gloves



Ladder



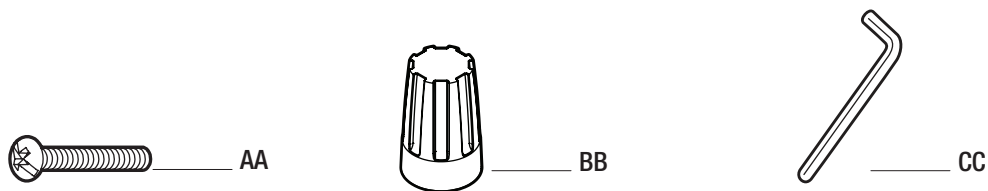
Power drill

## Pre-Installation (continued)

### HARDWARE INCLUDED

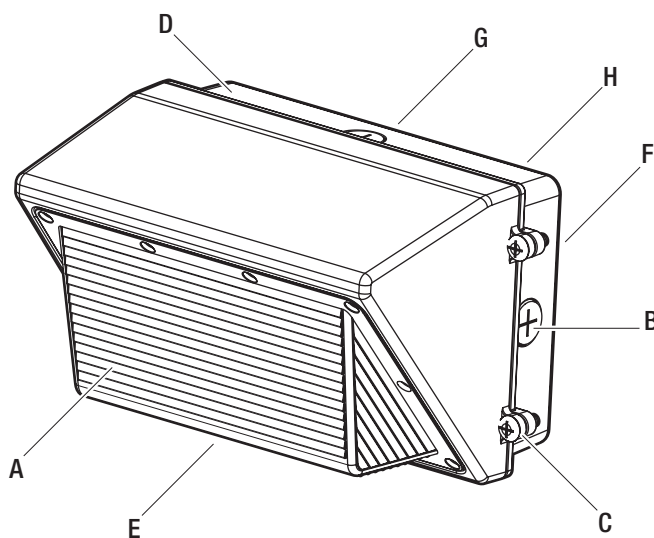


NOTE: Hardware not shown to actual size.



Part	Description	Quantity
AA	#8-32 x 3/4 in. Phillips mounting bracket screw	2
BB	Wire nut	3
CC	Allen key	1

### PACKAGE CONTENTS



Part	Description	Quantity
A	Light fixture	1
B	Conduit entry plug	3
C	Mounting base screw (pre-installed)	2
D	Mounting base	1
E	Mounting plate bolt	2
F	Leveling bubble	1
G	Mounting plate	1
H	Wiring grommet	1

## Preparing for Installation

- The fixture can be mounted in the following two ways:
  - **Junction Box Mount:** Use a junction box to mount the fixture.
  - **Surface Conduit Mount:** The fixture can also be mounted directly on the wall surface using conduit entry.
- Do not mount the fixture upside down.
- When installing two fixtures on one switch, make sure the switch is rated for at least a 1A inductive load.

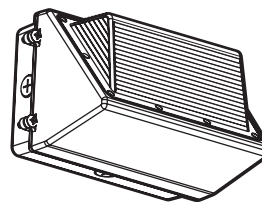
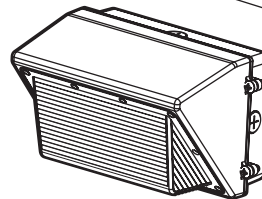


**NOTE:** Do not wire to a dimming switch

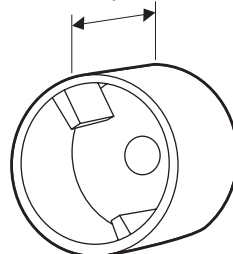


**NOTE:** The mounting base (D) mounts to recessed mounted standard junction boxes or to the surface directly. Junction box must be at least 1-1/2 in. in depth for proper installation for a recessed mount application.

Wall Mount

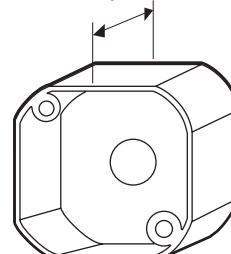


1-1/2"



Round

1-1/2"

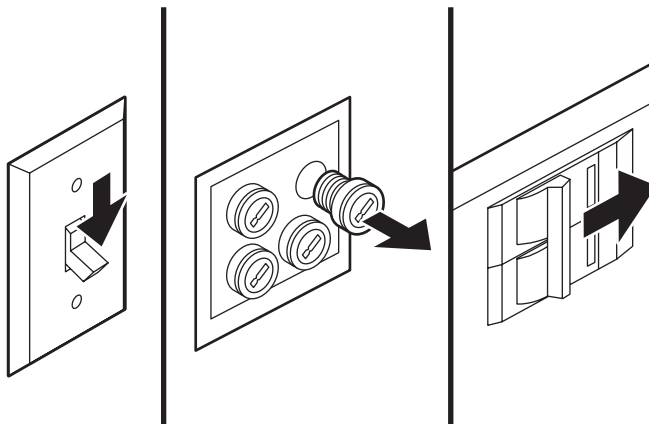


Octagonal/Square

## Installation

### 1 Turning off the electricity

- Verify the wall switch is in the Off position.
- Turn off power at the circuit breaker that supplies power to the outlet box you are working on.
- For screw-in type fuses unscrew the fuse that supplies power to the outlet box you are working on.



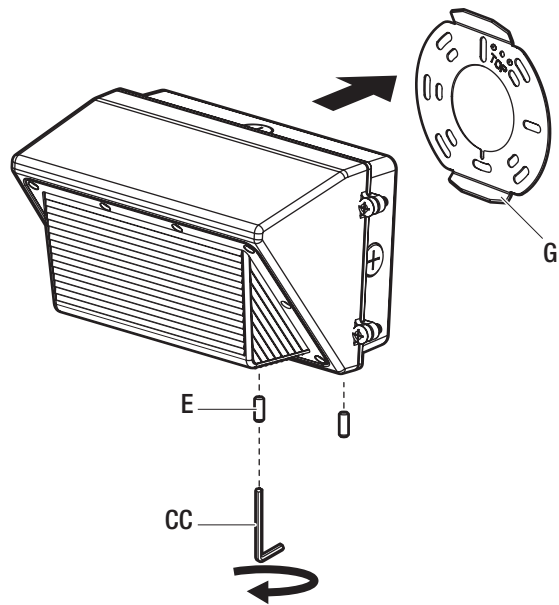
## Installation (continued)

### 2 Removing the mounting base plate

- Loosen the two mounting base plate bolts (E) using an allen key (CC) and remove the mounting plate (G) from the fixture.



**NOTE:** Only unscrew the bolts (E) far enough to remove the mounting plate (G). Do not fully remove the bolts (E).



### 3 Installing the mounting plate

#### Junction Box Mount

- Route the junction box wires through the large center hole in the mounting plate (G).
- Align the holes on the mounting plate (G) with the holes on your junction box. Use two #8 screws (AA), depending on the size of the holes in your junction box, to attach the mounting plate (G) to your junction box. (Fig. 1)

#### Surface Conduit Mount

- Mark and drill two to four holes on the wall surface as per the desired location for attaching the mounting plate (G).
- Use two or more suitable screws (not included) applicable to the surface of mounting and attach the mounting plate (G) on the surface. (Fig. 2)



**NOTE:** Use the leveling bubble (F) inside the mounting plate (G) to adjust mounting for a level install.

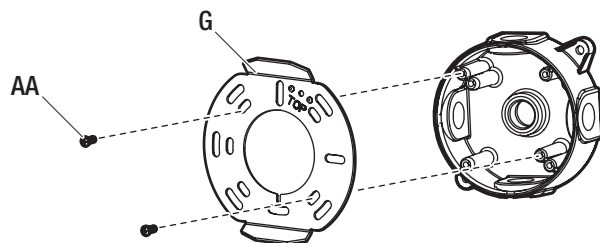


Fig. 1

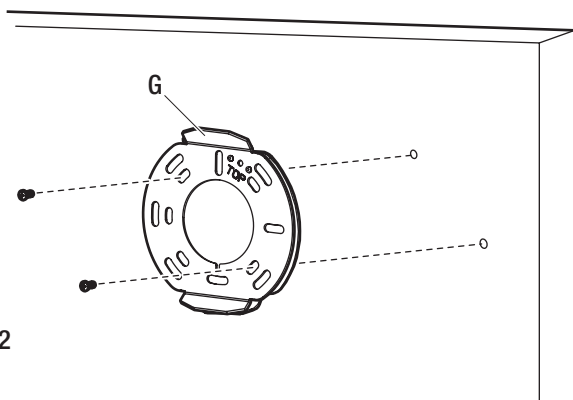


Fig. 2

## Installation (continued)

### 4 Hanging the mounting base to the mounting plate

#### Junction Box Mount

- Push the three wires through the grommet (H) in the mounting base (D) and hang the fixture by attaching the mounting base (D) on the mounting plate (G).
- Tighten the two mounting bolts (E) removed earlier to attach the mounting base (D). (Fig. 1)

**NOTE:** If the wires from the junction box are not long enough to push through the holes in the wiring grommet (H), open the fixture by loosening the screws (C) on the side and push the grommet out of the mounting base (D). Now thread the wires from the junction box through the center hole of the base (D) into the fixture and hang the fixture on the mounting plate (G). Thread the wires from the junction box into the grommet holes from inside of the fixture and then plug the grommet (H) into the center hole again.

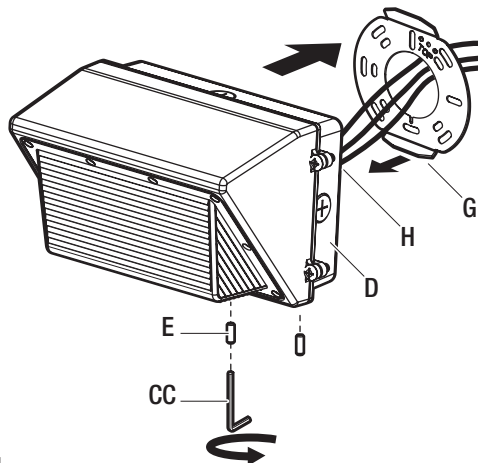


Fig. 1

#### Surface Conduit Mount

- Remove the conduit entry plug (B) on the side of the mounting base (D).
- Thread the wires through the surface conduit entry on the side of the mounting base (D) and hang the fixture by attaching the mounting base (D) on the mounting plate (G).
- Tighten the two mounting plate bolts (E) removed earlier to attach the mounting base (D) on the mounting plate (G). (Fig. 2)

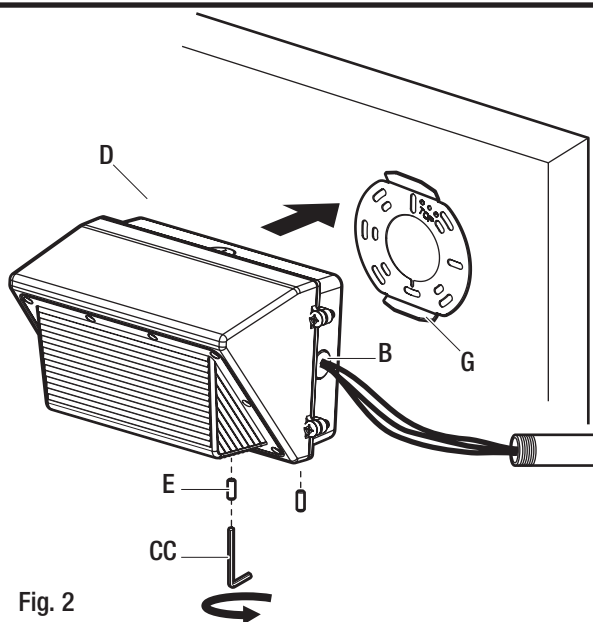


Fig. 2

# Installation (continued)

## 5 Making the electrical connections inside the fixture

- Loosen the two mounting base screws (C) using a Phillips screwdriver to open the fixture. (Fig. 1)
- The fixture will open sideways and stay connected on the hinge.(Fig. 2)
- Irrespective of the type of mount (Junction box or Surface Conduit) make wiring connections inside the fixture as per the instructions given below.



**NOTE:** The mounting plate screws (C) come pre-installed on the light fixture.

### ON/OFF Wiring (Non Dimming) Method:

- If necessary, strip 3/8 in. of insulation from junction box or fixture (A) wires.
- Connect the fixture black wire to the supply black wire ((+ line), and fixture white wire to the supply white wire ((- common) by twisting the exposed wires together and using the wire nuts (BB). Ensure there are no loose wires.
- Connect the supply ground wire to the green fixture ground wire by twisting the exposed wires together and using the wire nuts (BB).



**NOTE:** Hold stripped ends near each other and align any frayed strands (do not twist wires). Push the wires into wire nut (BB) and use your fingers to twist the wire nut clockwise until tight. Check for tightness by pulling wires.

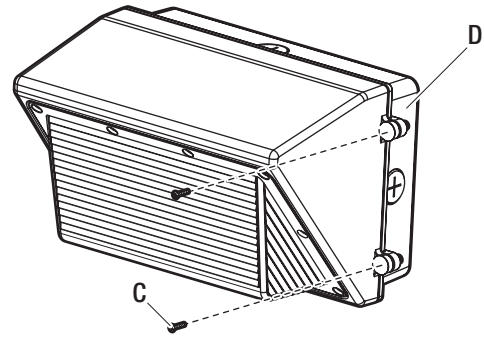
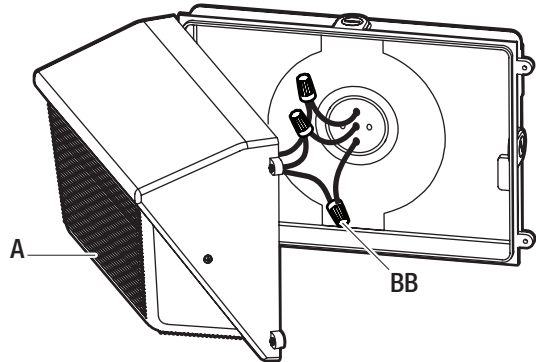


Fig. 1

### Junction Box Mount



### Surface Conduit Mount

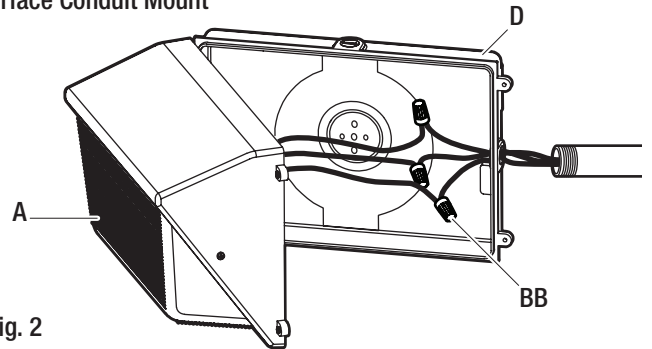
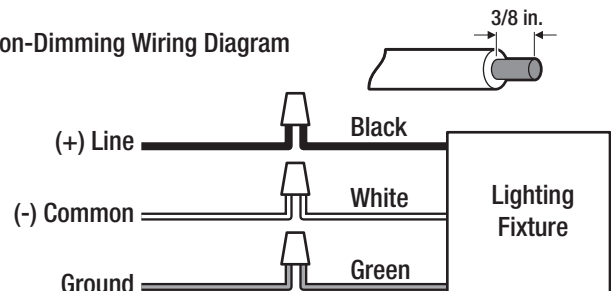


Fig. 2

### Non-Dimming Wiring Diagram





## Installation (continued)

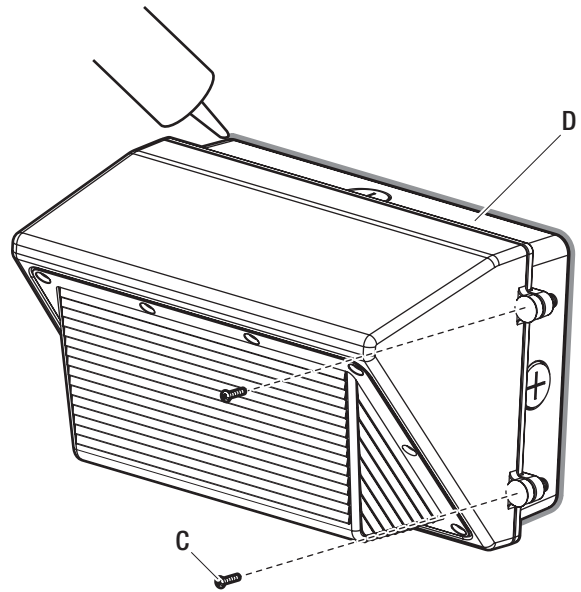
### 6 Securing the light fixture on the mounting base and caulking

- Close the fixture by tightening the two mounting base screws (C), using a Phillips screwdriver.
- Caulk around the mounting base (D) and surface with silicone sealant (not included).

**NOTICE:** Failure to properly caulk around the surface and mounting base (D) could lead to water damage and is not covered under warranty.



**NOTE:** When attaching this fixture (A) to an external surface mount junction box, caulk the inside of the light fixture before attaching to the mounting base (D).

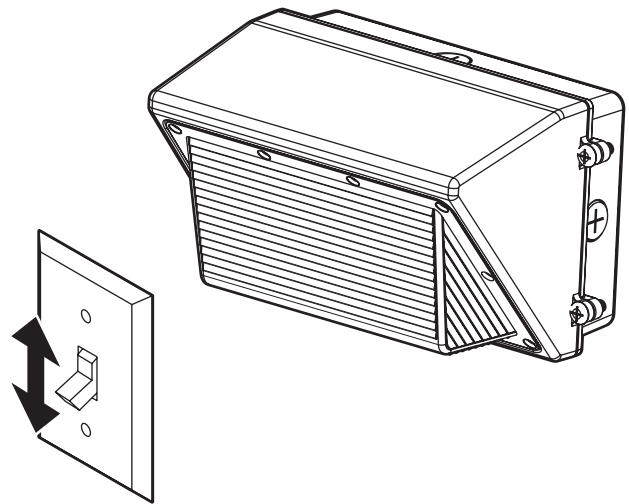


## Operation

### TURNING LIGHTS ON/OFF

#### Switch controlled

Switch controlled operation enables the light fixture to turn ON and OFF by flipping a switch that controls the electricity to the outlet powering the fixture. The light fixture will not turn ON and OFF automatically, but is manually controlled.



## Care and Cleaning

---

- Shut off the main power supply before cleaning the product. To prolong the original appearance, clean the light fixture with clear water and a soft, damp cloth only.
- Do not use abrasive cleaners or cleaners that contain alcohol. Do not apply paints, solvents, or any other chemicals on this light fixture. They could cause a premature deterioration of the finish and may void the warranty.
- Do not spray the light fixture with a hose or power washer.

## Troubleshooting

---

If the light does not come on:

- Verify that the power is turned ON from the circuit breaker and wall switch.
- Verify the wiring for the fixture is done properly.
- Verify the line voltage is correct.

If the light flickers:

- Do not wire to a dimming switch, use a standard ON/OFF switch.



Questions, problems, missing parts? Before returning to the store,  
call Commercial Electric Customer Service  
9 a.m. - 5 p.m., EST, Monday-Friday

**1-844-548-3776**

**HOMEDEPOT.COM**

Retain this manual for future use.