

# JS760BP/DP/EP/SP/FP

## GE® 30" Slide-In Electric Convection Range with No Preheat Air Fry

### DIMENSIONS AND INSTALLATION INFORMATION (IN INCHES)

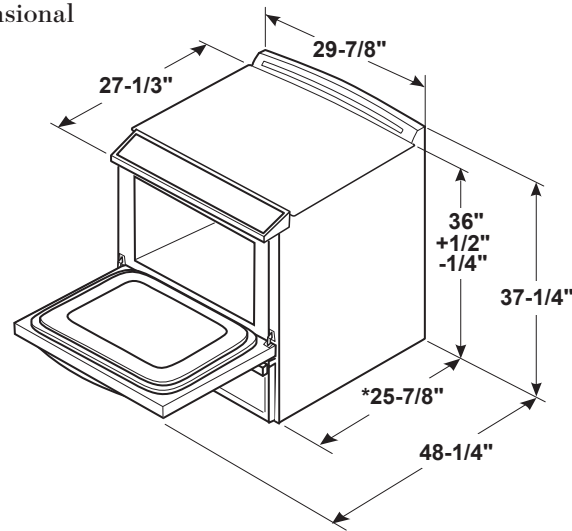
**RECEPTACLE LOCATIONS:** Locally approved flexible service cord or conduit must be used because terminals are not accessible after range installation. See shaded area in drawing for location of electrical outlet box. Recommended outlet locations allow range to be installed directly against rear wall.

**NOTE:** This appliance has been approved for 0" spacing to adjacent surfaces above the cooktop. However, a 6" minimum spacing to surfaces less than 15" above the cooktop and adjacent cabinet is recommended to reduce exposure to steam, grease splatter and heat.

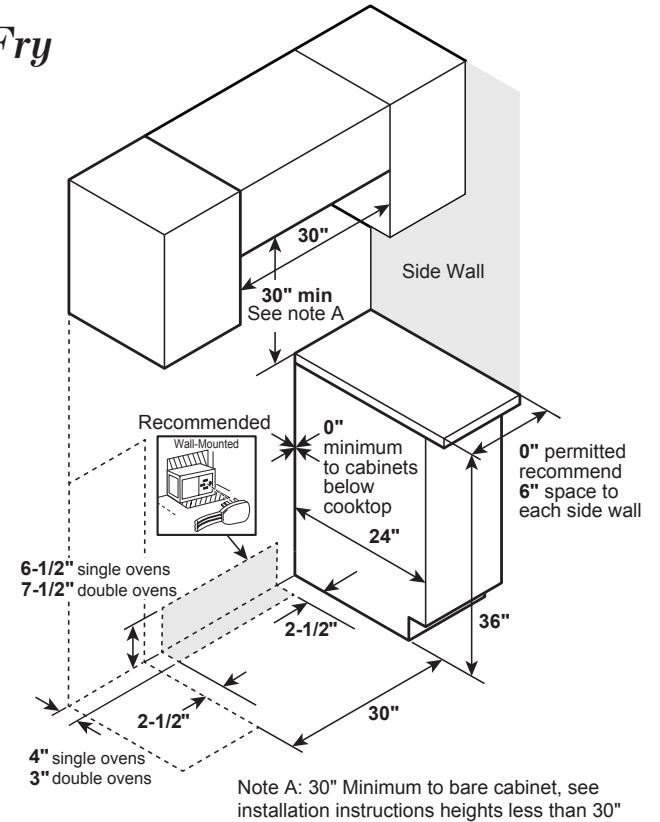
**INSTALLATION INFORMATION:** Before installing, consult installation instructions for current dimensional data and additional requirements

KW RATING	
240V	13.6
208V	10.2
BREAKER SIZE	
240V	40 Amps†
208V	40 Amps†

†NOTE: Check local codes for required breaker size.



\*Depth including door handle is approximately 28-1/4".



For answers to your Monogram, GE Café™, GE Profile™ or GE Appliances product questions, visit our website at [geappliances.com](http://geappliances.com) or call GE Answer Center® Service, 800.626.2000.



All GE Appliances ranges are equipped with an Anti-Tip device. The installation of this device is an important, required step in the installation of the range.



# JS760BP/DP/EP/SP/FP

## GE® 30" Slide-In Electric Convection Range with No Preheat Air Fry

### FEATURES AND BENEFITS

Built-In WiFi, Powered by SmartHQ App – Connect, Control and Manage your oven from anywhere with your smartphone or tablet or your voice assistant.

No Preheat Air Fry – With this air fryer right in the oven, you can cook healthier, crispier versions of your favorite foods. There's no preheat required and it shortens the cook time because every minute counts.

12"/9" Dual Element – Two heating elements in one offer flexibility.

Convection – This convection oven cooks and browns more evenly, using a rear fan to circulate hot air.

9"/6" Power Boil Element – Produces rapid, powerful heat.

Fifth Element Warming Zone – Provides low-heat capability for foods.

Fast Preheat – Make hot meals in a hurry with less time preheating.

Self-Clean with Steam Clean Option – Clean your oven the way you want.

Hidden Bake Oven Interior – Make cleanup easy by eliminating hard-to-reach areas.

Enhanced Shabbos Mode – The Shabbos Keeper connects to your range to automatically enable Shabbos compatible modes each week and before every holiday (Shabbos Keeper sold separately, visit [www.zmantechologies.com](http://www.zmantechologies.com) for details).

Model JS760BPTS – Black stainless

Model JS760DPBB – Black on black

Model JS760DPWW – White on white

Model JS760EPES – Slate

Model JS760SPSS – Stainless steel

Model JS760FPDS – Black slate



### GUARANTEED FIT

Replace your old 30" free-standing range with a new 30" slide-in model. GE slide-in ranges are guaranteed for an exact fit or GE Appliances will pay up to \$300 toward modifications.

Visit [geappliances.com](http://geappliances.com) for more info

