

ELECTRIC FREESTANDING RANGE OWNER'S MANUAL

CUISINIÈRES ÉLECTRIQUES AUTOPORTANTES MANUEL DU PROPRIÉTAIRE

ESTUFAS ELÉCTRICAS INDEPENDIENTES MANUAL DEL PROPIETARIO

Table of Contents/Table des matières/Índice

| | | | | | |
|---|----|---|----|---|----|
| RANGE SAFETY | 2 | SÉCURITÉ DE LA CUISINIÈRE | 19 | SEGURIDAD DE LA ESTUFA | 39 |
| Range Safety | 2 | Sécurité de la cuisinière | 19 | Seguridad de la estufa | 39 |
| RANGE MAINTENANCE AND CARE | 4 | ENTRETIEN ET RÉPARATION DE LA CUISINIÈRE | 22 | CUIDADO Y MANTENIMIENTO DE LA ESTUFA | 42 |
| Self-Cleaning Cycle (on some models) | 4 | Programme d'autonettoyage (sur certains modèles) | 22 | Ciclo de autolimpieza | 42 |
| General Cleaning | 4 | Nettoyage Général | 23 | Limpieza general | 43 |
| INSTALLATION INSTRUCTIONS REQUIREMENTS | 6 | INSTRUCTIONS D'INSTALLATION EXIGENCE | 24 | INSTRUCCIONES DE INSTALACIÓN REQUISITOS | 44 |
| Tools and Parts | 6 | Outils et pièces | 24 | Herramientas y piezas | 44 |
| Location Requirements | 6 | Exigences d'emplacement | 25 | Requisitos de ubicación | 45 |
| Electrical Requirements - U.S.A. Only | 7 | Spécifications électriques – É.-U. seulement | 26 | Requisitos eléctricos — EE. UU. únicamente | 46 |
| Electrical Requirements - Canada Only | 8 | Spécifications électriques – Canada seulement | 27 | Requisitos eléctricos – Solo en Canadá | 47 |
| INSTALLATION | 9 | INSTALLATION | 27 | INSTALACIÓN | 48 |
| Unpack Range | 9 | Déballage de la cuisinière | 27 | Desempaque la estufa | 48 |
| Install Anti-Tip Bracket | 9 | Installation de la bride antibasculement | 28 | Instalación del soporte antivuelco | 49 |
| Adjust Leveling Legs | 10 | Réglage des pieds de nivellement | 29 | Regule las patas niveladoras | 50 |
| Level Range | 11 | Réglage de l'aplomb de la cuisinière | 30 | Nivelación de la estufa | 50 |
| Electrical Connection - U.S.A. Only | 11 | Raccordement électrique – É.-U. seulement | 30 | Conexión eléctrica — EE. UU. únicamente | 51 |
| Verify Anti-Tip Bracket Is Installed and Engaged | 15 | Vérifier que la bride antibasculement est bien installée et engagée | 35 | Verifique que el soporte antivuelco esté instalado y enganchado | 56 |
| Warming Drawer or Premium Storage Drawer (on some models) | 16 | Tiroir-réchaud ou tiroir de remisage de qualité supérieure (sur certains modèles) | 36 | Cajón de calentamiento o cajón de almacenamiento Premium | 56 |
| Storage Drawer (on some models) | 16 | Tiroir de remisage (sur certains modèles) | 36 | Cajón de almacenamiento (en algunos modelos) | 57 |
| Oven Door | 17 | Porte du four | 37 | Puerta del horno | 57 |
| Complete Installation | 17 | Terminer l'installation | 37 | Completar la instalación | 58 |
| Moving the Range | 18 | Déplacement de la cuisinière | 38 | Cómo mover la estufa | 58 |

IMPORTANT:

Save for local electrical inspector's use.

IMPORTANT :

À conserver pour consultation par l'inspecteur local des installations électriques.

IMPORTANTE:

Guarde para tener a disposición del inspector de electricidad local.

RANGE SAFETY

Your safety and the safety of others are very important.

We have provided many important safety messages in this manual and on your appliance. Always read and obey all safety messages.



This is the safety alert symbol.

This symbol alerts you to potential hazards that can kill or hurt you and others.

All safety messages will follow the safety alert symbol and either the word "DANGER" or "WARNING." These words mean:

▲ DANGER

You can be killed or seriously injured if you don't immediately follow instructions.

▲ WARNING

You can be killed or seriously injured if you don't follow instructions.

All safety messages will tell you what the potential hazard is, tell you how to reduce the chance of injury, and tell you what can happen if the instructions are not followed.

The range will not tip during normal use. However, the range can tip if you apply too much force or weight to the open door without having the anti-tip bracket fastened down properly.

▲ WARNING

Tip Over Hazard

A child or adult can tip the range and be killed.

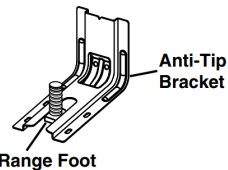
Install anti-tip bracket to floor or wall per installation instructions.

Slide range back so rear range foot is engaged in the slot of the anti-tip bracket.

Re-engage anti-tip bracket if range is moved.

Do not operate range without anti-tip bracket installed and engaged.

Failure to follow these instructions can result in death or serious burns to children and adults.



To verify the anti-tip bracket is properly installed and engaged:

- Slide range forward.
- Look for the anti-tip bracket securely attached to floor or wall.
- Slide range back so rear range foot is under the anti-tip bracket.
- See Installation Instructions for details.

IMPORTANT SAFETY INSTRUCTIONS

WARNING: To reduce the risk of fire, electric shock, or injury to persons when using the appliance, follow basic precautions, including the following:

- **WARNING:** TO REDUCE THE RISK OF TIPPING OF THE RANGE, THE RANGE MUST BE SECURED BY PROPERLY INSTALLED ANTI-TIP DEVICES. TO CHECK IF THE DEVICES ARE INSTALLED PROPERLY, SLIDE RANGE FORWARD, LOOK FOR ANTI-TIP BRACKET SECURELY ATTACHED TO FLOOR OR WALL, AND SLIDE RANGE BACK SO REAR RANGE FOOT IS UNDER ANTI-TIP BRACKET.
- **CAUTION:** Do not store items of interest to children in cabinets above an appliance or on the backguard of an appliance - children climbing on the appliance to reach items could be seriously injured.
- Proper Installation - The appliance, when installed, must be electrically grounded in accordance with local codes, or in the absence of local codes, with the *National Electrical Code, ANSI/NFPA 70* or the *Canadian Electrical Code, CSA C22.1-02*. In Canada, the appliance must be electrically grounded in accordance with Canadian Electrical Code. Be sure your appliance is properly installed and grounded by a qualified technician.
- Never Use Your Appliance for Warming or Heating the Room.

SAVE THESE INSTRUCTIONS

IMPORTANT SAFETY INSTRUCTIONS

- Do Not Leave Children Alone - Children should not be left alone or unattended in area where appliance is in use. They should never be allowed to sit or stand on any part of the appliance.
 - Wear Proper Apparel – Loose-fitting or hanging garments should never be worn while using the appliance.
 - User Servicing – Do not repair or replace any part of the appliance unless specifically recommended in the manual. All other servicing should be referred to a qualified technician.
 - Storage in or on Appliance – Flammable materials should not be stored in an oven or near surface units.
 - This appliance is not intended for storage.
 - Do Not Use Water on Grease Fires – Smother fire or flame or use dry chemical or foam-type extinguisher.
 - Do not use replacement parts that have not been recommended by the manufacturer (e.g. parts made at home using a 3D printer).
 - Use Only Dry Potholders – Moist or damp potholders on hot surfaces may result in burns from steam. Do not let potholder touch hot heating elements. Do not use a towel or other bulky cloth.
 - DO NOT TOUCH SURFACE UNITS OR AREAS NEAR UNITS – Surface units may be hot even though they are dark in color. Areas near surface units may become hot enough to cause burns. During and after use, do not touch, or let clothing or other flammable materials contact surface units or areas near units until they have had sufficient time to cool. Among these areas are the coil elements, the cooktop, and surfaces facing the cooktop.
 - Use Proper Pan Size – This appliance is equipped with one or more surface units of different size. Select utensils having flat bottoms large enough to cover the surface unit heating element. The use of undersized utensils will expose a portion of the heating element to direct contact and may result in ignition of clothing. Proper relationship of utensil to burner will also improve efficiency.
 - Never Leave Surface Units Unattended at High Heat Settings – Boilover causes smoking and greasy spillovers that may ignite.
 - Make Sure Reflector Pans or Drip Bowls Are in Place – Absence of these pans or bowls during cooking may subject wiring or components underneath to damage.
 - Protective Liners – Do not use aluminum foil to line surface unit drip bowls or oven bottoms, except as suggested in the manual. Improper installation of these liners may result in a risk of electric shock, or fire.
 - Glazed Cooking Utensils – Only certain types of glass, glass/ceramic, ceramic, earthenware, or other glazed utensils are suitable for range-top service without breaking due to the sudden change in temperature.
 - Utensil Handles Should Be Turned Inward and Not Extend Over Adjacent Surface Units – To reduce the risk of burns, ignition of flammable materials, and spillage due to unintentional contact with the utensil, the handle of a utensil should be positioned so that it is turned inward, and does not extend over adjacent surface units.
 - Do Not Soak Removable Heating Elements – Heating elements should never be immersed in water.
 - Do Not Cook on Broken Cook-Top – If cook-top should break, cleaning solutions and spillovers may penetrate the broken cook-top and create a risk of electric shock. Contact a qualified technician immediately.
 - Clean Cooktop With Caution – If a wet sponge or cloth is used to wipe spills on a hot cooking area, be careful to avoid steam burn. Some cleaners can produce noxious fumes if applied to a hot surface.
 - Use Care When Opening Door – Let hot air or steam escape before removing or replacing food.
 - Do Not Heat Unopened Food Containers – Build-up of pressure may cause container to burst and result in injury.
 - Keep Oven Vent Ducts Unobstructed.
 - Placement of Oven Racks – Always place oven racks in desired location while oven is cool. If rack must be moved while oven is hot, do not let potholder contact hot heating element in oven.
 - DO NOT TOUCH HEATING ELEMENTS OR INTERIOR SURFACES OF OVEN – Heating elements may be hot even though they are dark in color. Interior surfaces of an oven become hot enough to cause burns. During and after use, do not touch, or let clothing or other flammable materials contact heating elements or interior surfaces of oven until they have had sufficient time to cool. Other surfaces of the appliance may become hot enough to cause burns – among these surfaces are oven vent openings and surfaces near these openings, oven doors, and windows of oven doors.
 - Care must be taken to prevent aluminum foil and meat probes from contacting heating elements.
- For self-cleaning ranges –**
- Do Not Clean Door Gasket – The door gasket is essential for a good seal. Care should be taken not to rub, damage, or move the gasket.
 - Do Not Use Oven Cleaners – No commercial oven cleaner or oven liner protective coating of any kind should be used in or around any part of the oven.
 - Clean Only Parts Listed in Manual.
 - Before Self-Cleaning the Oven – Remove broiler pan and other utensils.
- For units with ventilating hood –**
- Clean Ventilating Hoods Frequently – Grease should not be allowed to accumulate on hood or filter.
 - When flaming foods under the hood, turn the fan on.
- For smart enabled ranges and ovens**
- Remote operation – This appliance is configurable to allow remote operation at any time. Do not store any flammable materials or temperature sensitive items inside, on top or near surface units of the appliance.

SAVE THESE INSTRUCTIONS

RANGE MAINTENANCE AND CARE

Self-Cleaning Cycle (on some models)

⚠ WARNING



Burn Hazard

Do not touch the oven during the Self-Cleaning cycle.

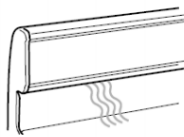
Keep children away from the oven during Self-Cleaning cycle.

Failure to follow these instructions can result in burns.

IMPORTANT: The health of some birds is extremely sensitive to the fumes given off during the Self-Cleaning cycle. Exposure to the fumes may result in death to certain birds. Always move birds to another closed and well-ventilated room.

Keep the kitchen well-ventilated during the Self-Cleaning cycle to help get rid of heat, odors, and smoke.

Do not block the oven vent(s) during the Self-Cleaning cycle. Air must be able to move freely. Depending on your model, see "Oven Vent" or "Oven Vents" section in your Quick Start Guide.



A. Oven vent

Do not clean, rub, damage, or move the oven door gasket.

Prepare Range:

- Remove the broiler pan, grid, cookware and bakeware, all cooking utensils, oven racks, aluminum foil, and, on some models, the temperature probe from the oven.
- Use a damp cloth to clean inside door edge and the 1 $\frac{1}{2}$ " (3.8 cm) area around the inside oven cavity frame, being certain not to move or bend the gasket.
- Wipe out any loose soil to reduce smoke and avoid damage. At high temperatures, foods react with porcelain. Staining, etching, pitting, or faint white spots can result. This will not affect cooking performance.
- Remove plastic items from the cooktop because they may melt.
- Remove all items from the storage drawer.

How the Cycle Works

IMPORTANT: The heating and cooling of porcelain on steel in the oven may result in discoloring, loss of gloss, hairline cracks, and popping sounds.

The Self-Cleaning cycle uses very high temperatures, burning soil to a powdery ash.

Once the oven has completely cooled, remove ash with a damp cloth. To avoid breaking the glass, do not apply a cool damp cloth to the inner door glass before it has completely cooled.

To stop the Self-Cleaning cycle at any time, press CANCEL or OFF/CANCEL. If the temperature is too high, the oven door will remain locked and "cool" and "locked" or "🔒" will be displayed.

When "🔒" shows in the display, the door of the oven cannot be opened. To avoid damage to the door, do not force the door open when "🔒" is displayed.

Before self-cleaning, make sure the door is completely closed or the door will not lock and the Self-Cleaning cycle will not begin.

Once the cleaning temperature has been reached, the electronic control requires a 12-hour delay before another Self-Cleaning cycle can be started.

The oven light will not function during the Self-Cleaning cycle.

Electronic Oven Control with Adjustable Clean Time (on some models)

The Self-Cleaning cycle is time adjustable between 2 hours 30 minutes and 4 hours 30 minutes in 30-minute increments. Suggested clean times are 2 hours 30 minutes for light soil and 4 hours 30 minutes for heavy soil. The last 30 minutes of the cycle is for cooldown.

IMPORTANT: When cooktop is in use, the Self-Cleaning cycle will be disabled. When the Self-Cleaning cycle is in use, the cooktop will be locked.

To Self-Clean:

1. Press CLEAN or SELF CLEAN.
2. Press the Temp/Time "+" or "-", or "up" or "down" keypad to enter the desired Self-Cleaning cycle time.
3. Press START.

The oven door will automatically lock. The Door Locked and Clean indicator lights will be displayed. The time remaining will also be displayed.

4. When the Self-Cleaning cycle is complete and the oven cools, the Door Locked and Clean indicator lights will turn off.
5. When the oven is completely cooled, remove ash with a damp cloth.

To exit the Self-Cleaning cycle before completed, press CANCEL or OFF/CANCEL. The door will unlock once the oven cools.

General Cleaning

IMPORTANT: Before cleaning, make sure all controls are off and the oven and cooktop are cool. Always follow label instructions on cleaning products.

Soap, water, and a soft cloth or sponge are suggested first, unless otherwise noted.

EXTERIOR PORCELAIN ENAMEL SURFACES (on some models)

Food spills containing acids, such as vinegar and tomato, should be cleaned as soon as the entire range is cool. These spills may affect the finish.

Cleaning Method:

- Glass cleaner, mild liquid cleaner, or nonabrasive scrubbing pad: Gently clean around the model/serial/rating plate because scrubbing may remove numbers.
- Affresh® Kitchen and Appliance Cleaner Part Number W10355010 (not included):

See the Quick Start Guide for contact information.

STAINLESS STEEL (on some models)

NOTE: To avoid damage to stainless steel surfaces, do not use soap-filled scouring pads, abrasive cleaners, Cooktop Cleaner, steel-wool pads, gritty washcloths, or abrasive paper towels. Damage may occur to stainless steel surfaces, even with one-time or limited use.

Cleaning Method:

Rub in direction of grain to avoid damaging.

- Affresh® Stainless Steel Cleaner Part Number W10355016 (not included):

See the Quick Start Guide for contact information.

METALLIC PAINT (on some models)

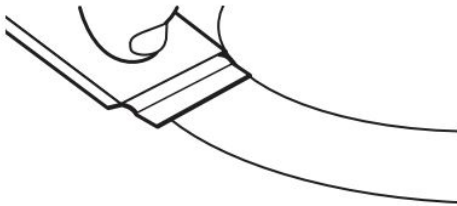
Do not use abrasive cleaners, cleaners with bleach, rust removers, ammonia, or sodium hydroxide (lye) because paint surface may stain.

CERAMIC GLASS COOKTOP CLEANING

Cleaning Method:

To avoid damaging the cooktop, do not use steel wool, abrasive powder cleansers, chlorine bleach, rust remover, or ammonia.

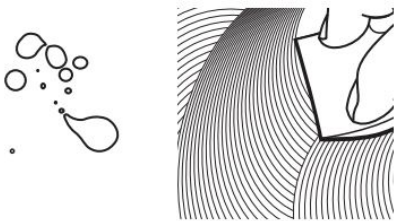
1. Remove food/residue with the Cooktop Scraper.



- For best results, use the Cooktop Scraper while the cooktop is still warm but not hot to the touch. It is recommended to wear an oven mitt while scraping the warm cooktop.
- Hold the Cooktop Scraper at approximately a 45° angle against the glass surface and scrape the residue. It will be necessary to apply pressure in order to remove the residue.

Allow the cooktop to cool down completely before proceeding to Step 2.

2. Apply a few dime-sized drops of Cooktop Cleaner to the affected areas.



- Rub affresh® Cleaner onto the cooktop surface with the blue Cooktop Cleaning Pad. Some pressure is needed to remove stubborn stains.
- Allow the cleaner to dry to a white haze before proceeding to Step 3.

3. Polish with a clean, dry cloth or a clean, dry paper towel.



- Repeat steps 1 through 3 as necessary for stubborn or burned-on stains.

The Complete Cooktop Cleaner Kit is available for order including the following:

- Cooktop Scraper
- Affresh® Cooktop Cleaner
- Blue Cooktop Cleaning Pads

See the Quick Start Guide for ordering information.

COOKTOP CONTROLS

To avoid damage to the cooktop controls, do not use steel wool, abrasive cleansers, or oven cleaner.

To avoid damage, do not soak knobs. When replacing knobs, make sure knobs are in the Off position.

On some models, do not remove seals under knobs.

Cleaning Method:

- Soap and water: Pull knobs straight away from control panel to remove

CONTROL PANEL AND OVEN DOOR EXTERIOR

To avoid damage to the control panel, do not use abrasive cleaners, steel-wool pads, gritty washcloths, or abrasive paper towels.

Cleaning Method:

- Glass cleaner and soft cloth or sponge: Apply glass cleaner to soft cloth or sponge, not directly on panel.
- Affresh® Kitchen and Appliance Cleaner Part Number W10355010 (not included):

See the Quick Start Guide for contact information.

COIL ELEMENTS (on some models)

Cleaning Method:

- Damp cloth: Make sure control knobs are OFF and elements are cool.

Do not clean or immerse in water. Soil will burn off when hot.

BURNER BOWLS (on some models)

Before removing or replacing coil elements and burner bowls, make sure they are cool and the control knobs are in the OFF position.

Remove the coil element by pushing the edge of the coil element toward the receptacle. Lift it enough to clear the burner bowl. Pull the coil element straight away from the receptacle to remove. Lift out the burner bowl.

Cleaning Method:

Chrome burner bowls

Wash frequently in warm, soapy water. (It is not recommended to wash chrome bowls in a dishwasher.) A mild abrasive cleaner and a plastic scrubber can be used to remove stubborn stains.

For heavily soiled bowls, place an ammonia-soaked paper towel on the stains and allow to soak for a short time, then gently scrub with a plastic scrubber.

SURFACE UNDER COOKTOP (on some models)

The coil cooktop will lift up to provide easy access for cleaning beneath. Lift the cooktop by both front corners until the support locks into place.

Cleaning Method:

- Glass cleaner, mild liquid cleaner or nonabrasive scrubbing pad.
- Affresh® Kitchen and Appliance Cleaner Part Number W10355010 (not included):
See the Quick Start Guide for contact information.

To avoid damage to the range, do not remove the cooktop.

OVEN RACKS

Cleaning Method:

- Steel-wool pad
- For racks that have discolored and are harder to slide, a light coating of vegetable oil applied to the rack guides will help them slide
- Dishwasher (steam rack water reservoir only, not racks):
Although the water reservoir is durable, it may lose its shine and/or discolor when washed in a dishwasher

STORAGE DRAWER OR WARMING DRAWER (on some models)

Check that storage drawer or warming drawer is cool and empty before cleaning.

Cleaning Method:

- Mild detergent

OVEN CAVITY

Do not use oven cleaners.

Food spills should be cleaned when oven cools. At high temperatures, foods react with porcelain. Staining, etching, pitting, or faint white spots can result.

Cleaning Method:

- Clean cycle: See the "Self-Cleaning Cycle" section.

INSTALLATION INSTRUCTIONS REQUIREMENTS

Tools and Parts

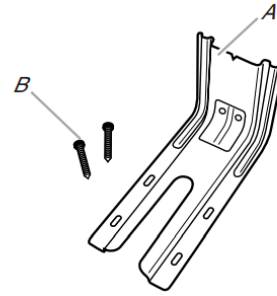
Gather the required tools and parts before starting installation. Read and follow the instructions provided with any tools listed here.

Tools needed

- Tape measure
- Flat-blade screwdriver
- Phillips screwdriver
- Level
- Hammer
- Hand or electric drill
- Wrench or pliers
- Marker or pencil
- Flashlight
- Masking tape
- 1/4" (6.4 mm) drive ratchet
- 1/4" (6.4 mm) nut driver
- 3/8" (9.5 mm) and 5/16" (8 mm) nut driver
- 1/8" (3.2 mm) drill bit (for wood floors)
- Tin snips or large wire cutters (for cutting ground strap if necessary)

Parts supplied

Check that all parts are included.



A. Anti-tip bracket
B. #12 x 1 5/8" (4.1 cm) screws (2)

- Anti-tip bracket must be securely mounted to floor or wall. Thickness of flooring may require longer screws to anchor bracket to floor.

Parts needed

If using a power supply cord kit:

- A UL listed power supply cord kit marked for use with ranges. The cord should be rated at 250 V minimum, 40 A or 50 A that is marked for use with nominal 1 3/8" (3.5 cm) diameter connection opening and must end in ring terminals or open-end spade terminals with upturned ends.
- A UL listed strain relief.

Check local codes. Check existing electrical supply. See the appropriate "Electrical Requirements" section.

It is recommended that all electrical connections be made by a licensed, qualified electrical installer.

NOTE: Be sure to purchase only Whirlpool factory-certified parts and accessories for your appliance. Your installation may require additional parts. To order, refer to the contact information referenced in your Quick Start Guide.

Location Requirements

IMPORTANT: Observe all governing codes and ordinances.

- It is the installer's responsibility to comply with installation clearances specified on the model/serial/rating plate. The model/serial/rating plate is located on the frame behind a top corner of the door or either side of the drawer.
- The range should be located for convenient use in the kitchen.
- Recessed installations must provide complete enclosure of the sides and rear of the range.
- All openings in the wall or floor where range is to be installed must be sealed.
- Cabinet opening dimensions that are shown must be used. Given dimensions are minimum clearances.
- The anti-tip bracket must be installed. To install the anti-tip bracket shipped with the range, see the "Install Anti-Tip Bracket" section.
- Grounded electrical supply is required. See the appropriate "Electrical Requirements" section.
- Contact a qualified floor covering installer to check that the floor covering can withstand at least 200°F (93°C).
- Use an insulated pad or 1/4" (0.64 cm) plywood under range if installing range over carpeting.

IMPORTANT: To avoid damage to your cabinets, check with your builder or cabinet supplier to make sure that the materials used will not discolor, delaminate or sustain other damage. This oven has been designed in accordance with the requirements of UL and CSA International and complies with the maximum allowable wood cabinet temperatures of 194°F (90°C).

Mobile Home - Additional Installation Requirements

The installation of this range must conform to the Manufactured Home Construction and Safety Standard, Title 24 CFR, Part 3280 (formerly the Federal Standard for Mobile Home Construction and Safety, Title 24, HUD Part 280). When such standard is not applicable, use the Standard for Manufactured Home Installations, ANSI A225.1/NFPA 501A or with local codes.

In Canada, the installation of this range must conform with the current standards CAN/CSA-Z240.1-latest edition, or with local codes.

Mobile home installations require:

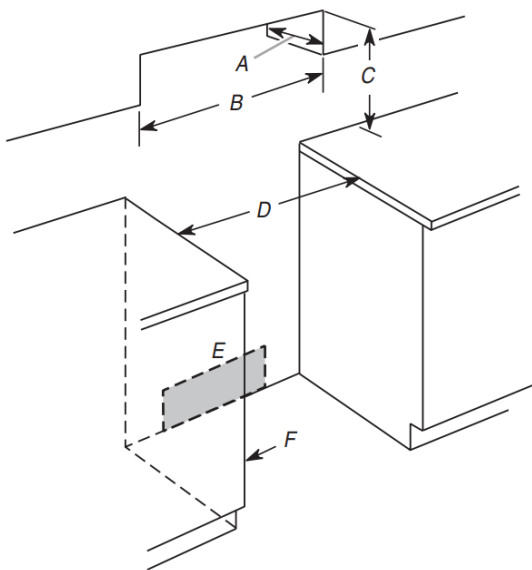
- When this range is installed in a mobile home, it must be secured according to the instructions in this document.
- Four-wire power supply cord or cable must be used in a mobile home installation. The appliance wiring will need to be revised. See "Electrical Connection - U.S.A. Only" section.

Cabinet Dimensions

Cabinet opening dimensions shown are for 25" (64.0 cm) countertop depth, 24" (61.0 cm) base cabinet depth and 36" (91.4 cm) countertop height.

IMPORTANT: If installing a range hood or microwave hood combination above the range, follow the range hood or microwave hood combination installation instructions for dimensional clearances above the cooktop surface.

A freestanding range may be installed next to combustible walls with zero clearance.



- A. 13" (33.0 cm) max. upper cabinet depth
- B. 30" (76.2 cm) min. opening width
- C. For minimum clearance to top of cooktop, see NOTE*
- D. 30" (76.2 cm) min. opening width
- E. Outlet - 8" (20.3 cm) to 22" (55.9 cm) from either cabinet, 7" (17.8 cm) max. from floor.
- F. Cabinet door or hinges should not extend into the cutout.

***NOTE:** 24" (61.0 cm) minimum when bottom of wood or metal cabinet is covered by not less than 1/4" (0.64 cm) flame retardant millboard covered with not less than No. 28 MSG sheet steel, 0.015" (0.4 mm) stainless steel, 0.024" (0.6 mm) aluminum or 0.020" (0.5 mm) copper.

30" (76.2 cm) minimum clearance between the top of the cooking platform and the bottom of an uncovered wood or metal cabinet.

Electrical Requirements - U.S.A. Only

If codes permit and a separate ground wire is used, it is recommended that a qualified electrical installer determine that the ground path and wire gauge are in accordance with local codes.

Do not use an extension cord.

Be sure that the electrical connection and wire size are adequate and in conformance with the National Electrical Code, ANSI/NFPA 70-latest edition and all local codes and ordinances.

A copy of the above code standards can be obtained from:

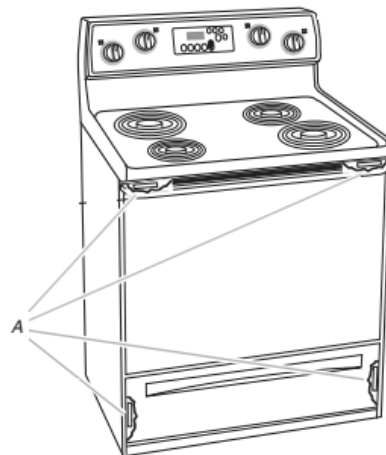
National Fire Protection Association
1 Batterymarch Park
Quincy, MA 02169-7471

WARNING: Improper connection of the equipment-grounding conductor can result in a risk of electric shock. Check with a qualified electrician or service technician if you are in doubt as to whether the appliance is properly grounded. Do not modify the power supply cord plug. If it will not fit the outlet, have a proper outlet installed by a qualified electrician.

Electrical Connection

To properly install your range, you must determine the type of electrical connection you will be using and follow the instructions provided for it here.

- Range must be connected to the proper electrical voltage and frequency as specified on the model/serial/rating plate. The model/serial/rating plate is located on the frame behind a top corner of the door or either side of the drawer.



A. The model/serial/rating plate is located on the frame behind a top corner of the door or either side of the drawer.

- This range is manufactured with the neutral terminal connected to the cabinet. Use a 3-wire, UL listed, 40 or 50 A power supply cord (pigtail). See the following Range Rating chart. If local codes do not permit ground through the neutral, use a 4-wire power supply cord rated at 250 V, 40 or 50 A and investigated for use with ranges.

| Range Rating* | Specified Rating of Power Supply Cord Kit and Circuit Protection | |
|----------------|--|------------|
| | 120/240 V | 120/208 V |
| 8.8 - 16.5 kW | | 40 or 50** |
| 16.6 - 22.5 kW | | 50 |

* The NEC calculated load is less than the total connected load listed on the model/serial/rating plate.

** If connecting to a 50 A circuit, use a 50 A rated cord with kit. For 50 A rated cord kits, use kits that specify use with a nominal 1³/₈" (34.9 mm) diameter connection opening.

- A circuit breaker is recommended.
- The range can be connected directly to the circuit breaker box (or fused disconnect) through flexible or nonmetallic sheathed, copper or aluminum cable. See the "Electrical Connection - U.S.A. Only" section.
- Allow 2 to 3 ft (61.0 cm to 91.4 cm) of slack in the line so that the range can be moved if servicing is ever necessary.
- A UL listed conduit connector must be provided at each end of the power supply cable (at the range and at the junction box).
- Wire sizes and connections must conform with the rating of the range.
- The Tech Sheet is located on the back of the range inside a clear plastic bag.

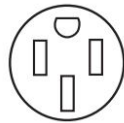
If connecting to a 4-wire system:

This range is manufactured with the ground connected to the neutral by a link. The ground must be revised so the green ground wire of the 4-wire power supply cord is connected to the cabinet. See the "Electrical Connection - U.S.A. Only" section.

Grounding through the neutral conductor is prohibited for new branch-circuit installations (1996 NEC); mobile homes; and recreational vehicles, or an area where local codes prohibit grounding through the neutral conductor.

When a 4-wire receptacle of NEMA Type 14-50R is used, a matching UL listed, 4-wire, 250 V, 40 or 50 A, range power supply cord (pigtail) must be used. This cord contains 4 copper conductors with ring terminals or open-end spade terminals with upturned ends, terminating in a NEMA Type 14-50P plug on the supply end.

The fourth (grounding) conductor must be identified by a green or green/yellow cover and the neutral conductor by a white cover. Cord should be Type SRD or SRDT with a UL listed strain relief and be at least 4 ft (1.22 m) long.



4-wire receptacle (14-50R)

The minimum conductor sized for the copper 4-wire power cord are:

- 40 A circuit
- 2 No.-8 conductors
- 1 No.-10 white neutral
- 1 No.-8 green grounding

If connecting to a 3-wire system:

Local codes may permit the use of a UL listed, 3-wire, 250 V, 40 or 50 A range power supply cord (pigtail). This cord contains 3 copper conductors with ring terminals or open-end spade terminals with upturned ends, terminating in a NEMA Type 10-50P plug on the supply end. Connectors on the appliance end must be provided at the point the power supply cord enters the appliance. This uses a 3-wire receptacle of NEMA Type 10-50R.



3-wire receptacle (10-50R)

Electrical Requirements - Canada Only

⚠ WARNING

Electrical Shock Hazard

Electrically ground appliance.

Failure to do so could result in death, fire, or electrical shock.

If codes permit and a separate ground wire is used, it is recommended that a qualified electrical installer determine that the ground path is adequate and wire gauge are in accordance with local codes.

Be sure that the electrical connection and wire size are adequate and in conformance with CSA Standard C22.1, Canadian Electrical Code, Part 1 - latest edition, and all local codes and ordinances.

A copy of the above code standards can be obtained from:
 Canadian Standards Association
 178 Rexdale Blvd.
 Toronto, ON M9W 1R3 CANADA

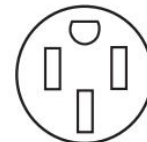
- Check with a qualified electrical installer if you are not sure the range is properly grounded.

| Range Rating* | Specified Rating of Power Supply Cord Kit and Circuit Protection | |
|----------------|--|------------|
| 120/240 V | 120/208 V | Amps |
| 8.8 - 16.5 KW | 7.8 - 12.5 KW | 40 or 50** |
| 16.6 - 22.5 KW | 12.6 - 18.5 KW | 50 |

* The NEC calculated load is less than the total connected load listed on the model/serial/rating plate.

**If connecting to a 50 A circuit, use a 50 A rated cord with kit. For 50 A rated cord kits, use kits that specify use with a nominal 1³/₈" (34.9 mm) diameter connection opening.

- A time-delay fuse or circuit breaker is recommended.
- This range is equipped with a CSA International Certified Power Cord intended to be plugged into a standard 14-50R wall receptacle. Be sure the wall receptacle is within reach of range's final location.



- Do not use an extension cord.

INSTALLATION

Unpack Range

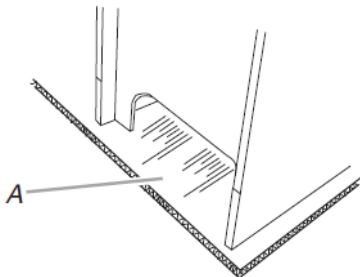
⚠WARNING

Excessive Weight Hazard

Use two or more people to move and install or uninstall appliance.

Failure to do so can result in back or other injury.

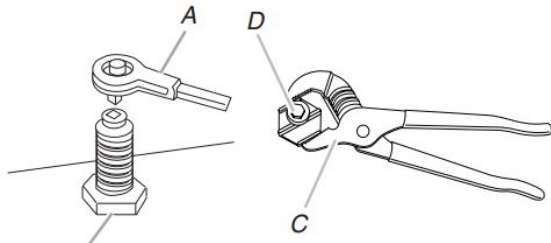
1. Remove shipping materials, tape and film from range.
2. Remove oven racks and parts package from inside oven.
3. Do not remove the shipping base at this time.



A. Shipping base

4. On Ranges Equipped with a Storage Drawer:

Remove the storage drawer. See the "Storage Drawer" section. Use a 1/4" (6.4 mm) drive ratchet to lower the rear leveling legs one-half turn. Use a wrench or pliers to lower front leveling legs one half turn.

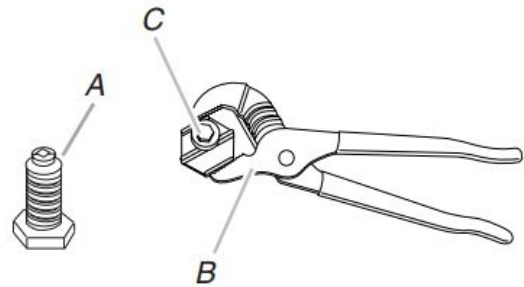


B. Rear leveling leg

C. Wrench or pliers
D. Front leveling leg

On Ranges Equipped with a Warming Drawer or Premium Storage Drawer:

On ranges equipped with a warming drawer or premium storage drawer, the rear legs cannot be accessed by removing the warming drawer or premium storage drawer. It will be necessary to adjust the rear legs from outside the range. Use wrench or pliers to lower the front and rear leveling legs one half turn.



A. Rear leveling leg
B. Wrench or pliers
C. Front leveling leg

Install Anti-Tip Bracket

⚠WARNING



Tip Over Hazard

A child or adult can tip the range and be killed.

Install anti-tip bracket to floor or wall per installation instructions.

Slide range back so rear range foot is engaged in the slot of the anti-tip bracket.

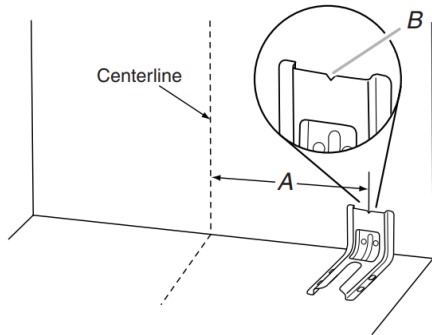
Re-engage anti-tip bracket if range is moved.

Do not operate range without anti-tip bracket installed and engaged.

Failure to follow these instructions can result in death or serious burns to children and adults.

1. Remove the anti-tip bracket from where it is taped inside the storage drawer or warming drawer.
2. Determine which mounting method to use: floor or wall.
If you have a stone or masonry floor, you can use the wall mounting method. If you are installing the range in a mobile home, you must secure the range to the floor.

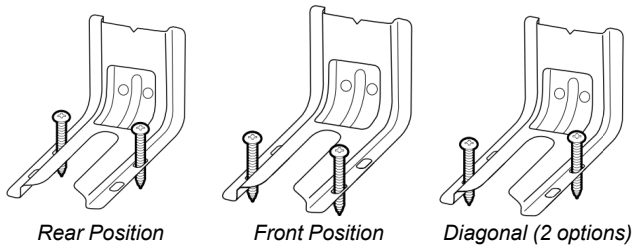
- Determine and mark centerline of the cutout space. The mounting can be installed on either the left-side or right-side of the cutout. Position mounting bracket against the wall in the cutout so that the V-notch of the bracket is $12\frac{9}{16}$ " (31.9 cm) from centerline as shown.



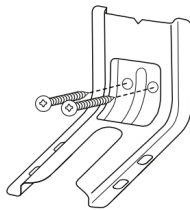
- A. $12\frac{9}{16}$ " (31.9 cm)
B. Bracket V-notch

- Drill two $\frac{1}{8}$ " (3 mm) holes that correspond to the bracket holes of the determined mounting method. See the following illustrations.

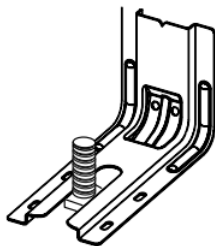
Floor Mounting



Wall Mounting



- Using the Phillips screwdriver, mount anti-tip bracket to the wall or floor with the two $\#12 \times 1\frac{5}{8}$ " (41.3 mm) screws provided.
- Move range close enough to opening to allow for final electrical connections. Remove shipping base, cardboard or hardboard from under range.
- Move range into its final location, making sure rear leveling leg slides into anti-tip bracket.



- Move range forward onto shipping base, cardboard or hardboard to continue installing the range using the following installation instructions.

Adjust Leveling Legs

- If range height adjustment is necessary, use a wrench or pliers to loosen the four leveling legs.

This may be done with the range on its back or with the range supported on two legs after the range has been placed back to a standing position.

NOTE: To place range back up into a standing position, put a sheet of cardboard or hardboard in front of range. Using two or more people, stand range back up onto the cardboard or hardboard.

⚠ WARNING



Tip Over Hazard

A child or adult can tip the range and be killed.

Install anti-tip bracket to floor or wall per installation instructions.

Slide range back so rear range foot is engaged in the slot of the anti-tip bracket.

Re-engage anti-tip bracket if range is moved.

Do not operate range without anti-tip bracket installed and engaged.

Failure to follow these instructions can result in death or serious burns to children and adults.

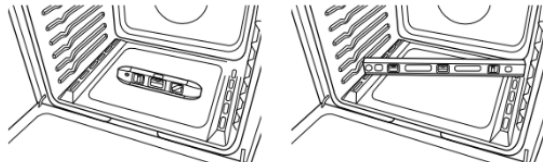
- Measure the distance from the top of the counter to the floor.
 - Measure the distance from the top of the cooktop to the bottom of the leveling legs. This distance should be the same. If it is not, adjust the leveling legs to the correct height. The leveling legs can be loosened to add up to a maximum of 1" (2.5 cm). A minimum of $\frac{3}{16}$ " (5 mm) is needed to engage the anti-tip bracket.
- NOTE:** If height adjustment is made when range is standing, tilt the range back to adjust the front legs, and then tilt forward to adjust the rear legs.
- When the range is at the correct height, check that there is adequate clearance under the range for the anti-tip bracket. Before sliding range into its final location, check that the anti-tip bracket will slide under the range and onto the rear leveling leg prior to anti-tip bracket installation.
- NOTE:** If a Trim Kit will be used, the top of the cooktop should be higher than the counter. See the Installation Instructions included with the Trim Kit for the correct height.

Level Range

Determine if you have AquaLift® Technology or Steam Clean by referring to the "Range Maintenance and Care" section.

For Ranges with AquaLift® Technology or Steam Clean:

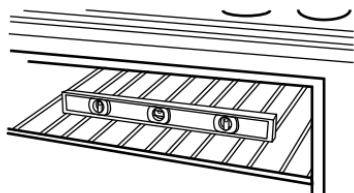
1. Place level on the oven bottom as indicated in one of the two figures below depending on the size of the level. Check with the level: side to side and front to back.



2. If range is not level, pull range forward until rear leveling leg is removed from the anti-tip bracket.
3. Follow the directions in Style 1 or Style 2, depending on the style of drawer supplied with the range.

For Ranges without AquaLift® Technology or Steam Clean:

1. Place a standard flat rack in oven.
2. Place level on the rack and check levelness of the range, first side to side; then front to back.



3. If range is not level, pull range forward until rear leveling leg is removed from the anti-tip bracket.
4. Follow the directions in Style 1 or Style 2, depending on the style of drawer supplied with the range.

Style 1: Ranges Equipped with a Storage Drawer:

Use a 1/4" drive ratchet, wrench or pliers to adjust leveling legs up or down until the range is level. Push range back into position. Check that rear leveling leg is engaged in the anti-tip bracket.

Style 2: Ranges Equipped with a Warming Drawer or Premium Storage Drawer:

Use a wrench or pliers to adjust leveling legs up or down until the range is level. Push range back into position. Check that rear leveling leg is engaged in the anti-tip bracket.

NOTE: Range must be level for satisfactory baking performance and best cleaning results using AquaLift® Technology and Steam Clean functions.

Electrical Connection - U.S.A. Only

Power Supply Cord

⚠ WARNING



Electrical Shock Hazard

Disconnect power before servicing.

Use a new 40 amp power supply cord.

Plug into a grounded outlet.

Failure to follow these instructions can result in death, fire, or electrical shock.

Direct Wire

⚠ WARNING



Electrical Shock Hazard

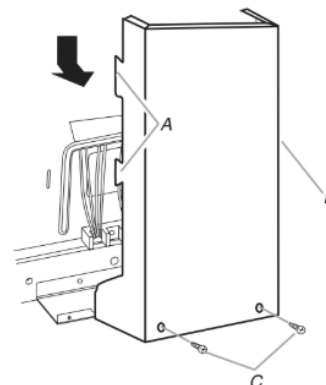
Disconnect power before servicing.

Use 8 gauge copper or 6 gauge aluminum wire.

Electrically ground range.

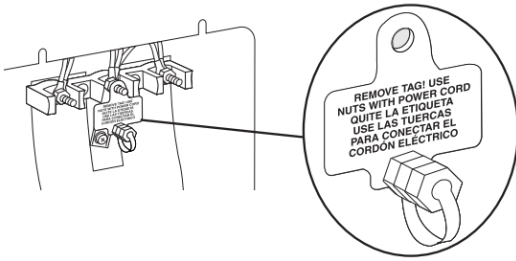
Failure to follow these instructions can result in death, fire, or electrical shock.

1. Disconnect power.
2. Remove the terminal block cover screws located on the back of the range. Pull cover down and toward you to remove cover from range.



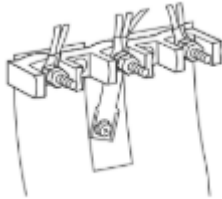
- A. Two mounting tabs each side
- B. Terminal block cover
- C. Hex-head screws

3. Depending on your model, remove plastic tag holding three 10-32 hex nuts from the middle post of the terminal block.



OR

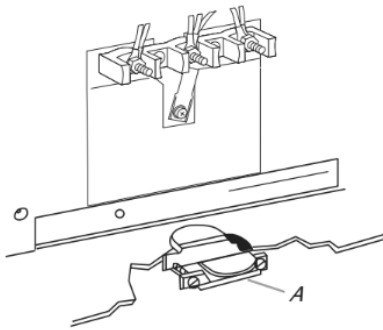
Remove the top 10-32 hex nut from each of the 3 terminal blocks and set aside.



4. Add strain relief.

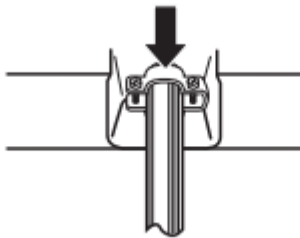
Style 1: Power supply cord strain relief

- Remove the knockout for the power supply cord.
- Assemble a UL listed strain relief in the opening.



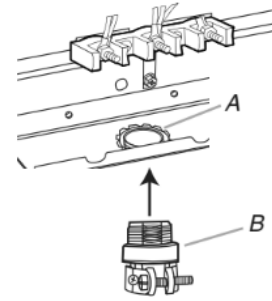
A. UL listed strain relief

- Tighten strain relief screw against the power supply cord.



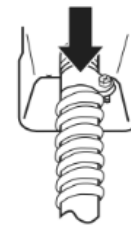
Style 2: Direct wire strain relief

- Remove the knockout as needed for the flexible conduit connection.
- Assemble a UL listed conduit connector in the opening.



A. Removable retaining nut
B. Conduit

- Tighten strain relief screw against the flexible conduit.

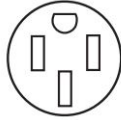
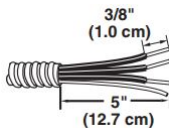

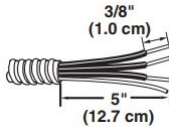


5. Complete installation following instructions for your type of electrical connection:

4-wire (recommended)

3-wire (if 4-wire is not available)

Electrical Connection Options

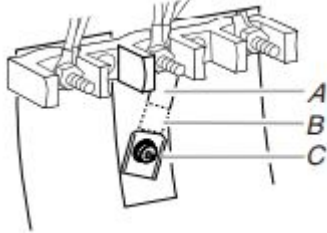
| If your home has: | And you will be connecting to: | Go to Section: |
|--|---|--------------------------------------|
| 4-wire receptacle (NEMA type 14-50R)  | A UL Listed, 250 V minimum, 40 A, range power supply cord | 4-wire connection: Power supply cord |
| 4-wire direct  | A circuit breaker box or fused disconnect | 4-wire connection: Direct wire |
| 3-wire receptacle (NEMA type 10-50R)  | A UL Listed, 250 V minimum, 40 A, range power supply cord | 3-wire connection: Power supply cord |
| 3-wire direct  | A circuit breaker box or fused disconnect | 3-wire connection: Direct wire |

4-Wire Connection: Power Supply Cord

Use this method for:

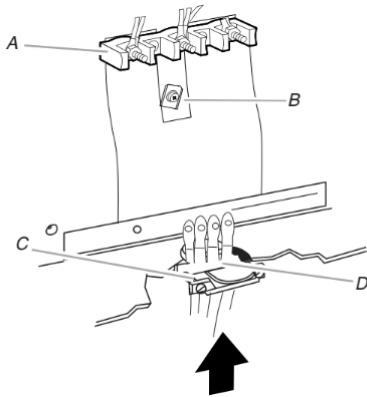
- New branch-circuit installations (1996 NEC)
- Mobile homes
- Recreational vehicles
- In an area where local codes prohibit grounding through the neutral

1. Part of metal ground strap must be cut out and removed.



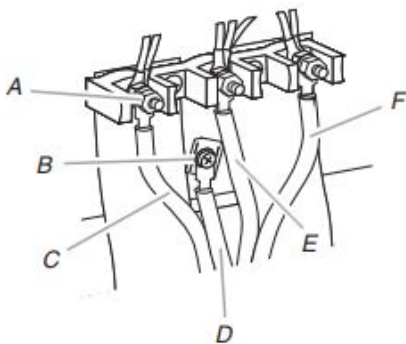
A. Metal ground strap
B. Discard
C. Ground-link screw

2. Use a Phillips screwdriver to remove the ground-link screw from the back of the range. Save the ground-link screw and the end of the ground link under the screw.
3. Feed the power supply cord through the strain relief on the cord/conduit plate on bottom of range. Allow enough slack to easily attach the wiring to the terminal block.



A. Terminal block
B. Ground-link screw
C. UL listed strain relief
D. Power supply cord wires

4. Use Phillips screwdriver to connect the green ground wire from the power supply cord to the range with the ground-link screw. The ground wire must be attached first.
5. Use 3/8" (9.5 mm) nut driver to connect the neutral (white) wire to the center terminal block post with one of the 10-32 hex nuts.



A. 10-32 hex nut
B. Ground-link screw
C. Line 2 (red)
D. Green ground wire
E. Neutral (center) wire
F. Line 1 (black)

6. Connect line 2 (red) and line 1 (black) wires to the outer terminal block posts with 10-32 hex nuts.
7. Securely tighten hex nuts.

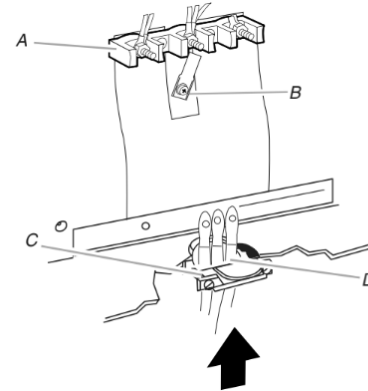
NOTE: For power supply cord replacement, use only a power cord rated at 250 V minimum, 40 A or 50 A that is marked for use with nominal 1³/₈" (3.5 cm) diameter connection opening, with ring terminals and marked for use with ranges.

8. Tighten strain relief screws.
9. Replace terminal block access cover.

3-Wire Connection: Power Supply Cord

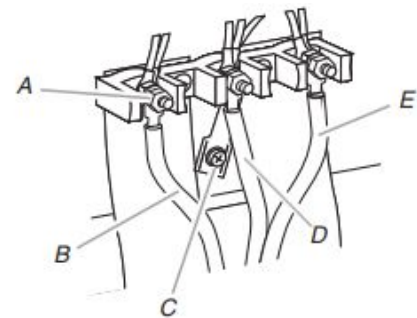
Use this method only if local codes permit connecting chassis ground conductor to neutral wire of power supply cord.

1. Feed the power supply cord through the strain relief in the cord/conduit plate on bottom of range. Allow enough slack to easily attach the wiring to the terminal block.



A. Terminal block
B. Ground-link screw
C. UL listed strain relief
D. Power supply cord wires - large opening

2. Use 3/8" (9.5 mm) nut driver to connect the neutral (white) wire to the center terminal block post with one of the 10-32 hex nuts.



A. 10-32 hex nut
B. Line 2 (red)
C. Ground-link screw
D. Neutral (white) wire
E. Line 1 (black)

3. Connect line 2 (red) and line 1 (black) wires to the outer terminal block posts with 10-32 hex nuts.
4. Securely tighten hex nuts.

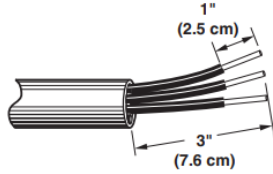
NOTE: For power supply cord replacement, only use a power cord rated at 250 V minimum, 40 A or 50 A that is marked for use with nominal 1³/₈" (3.5 cm) diameter connection opening, with ring terminals and marked for use with ranges.

5. Tighten strain relief screws.
- IMPORTANT:** Verify the tightness of the hex nuts.
6. Replace terminal block access cover.

Direct Wire Installation: Copper or Aluminum Wire

This range may be connected directly to the fuse disconnect or circuit breaker box. Depending on your electrical supply, make the required 3-wire or 4-wire connection.

- Strip outer covering back 3" (7.6 cm) to expose wires. Strip the insulation back 1" (2.5 cm) from the end of each wire.



- Allow enough slack in the wire to easily attach the wiring terminal block.
- Complete electrical connection according to your type of electrical supply.

4-wire (recommended)

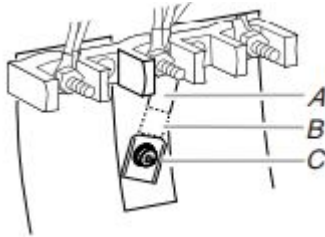
3-wire (if 4-wire is not available)

4-Wire Connection: Direct Wire

Use this method for:

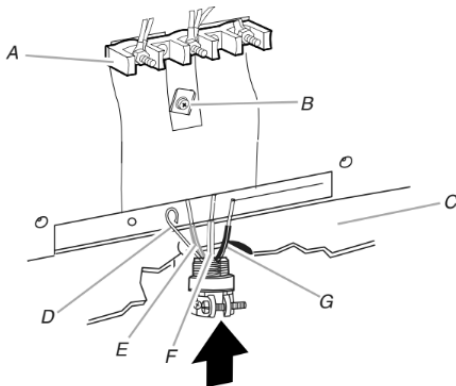
- New branch-circuit installations (1996 NEC)
- Mobile homes
- Recreational vehicles
- In an area where local codes prohibit grounding through the neutral

- Part of metal ground strap must be cut out and removed.



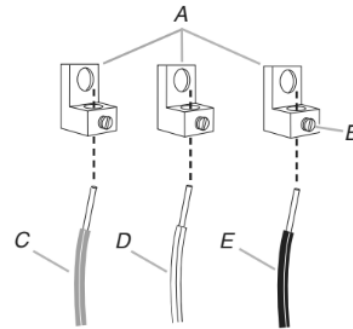
- A. Metal ground strap
- B. Discard
- C. Ground-link screw

- Use a Phillips screwdriver to remove the ground-link screw from the back of the range. Save the ground-link screw and the end of the ground link under the screw.
- Pull the wires through the strain relief on bottom of range. Allow enough slack to easily attach wiring to the terminal block.



- A. Terminal block
- B. Ground-link screw
- C. Cord/conduit plate
- D. Bare (green) ground wire
- E. Line 2 (red) wire
- F. Neutral (white) wire
- G. Line 1 (black) wire

- Attach terminal lugs to line 1 (black), neutral (white), and line 2 (red) wires. Loosen (do not remove) the setscrew on the front of the terminal lug and insert exposed wire end through bottom of terminal lugs. Securely tighten setscrew to torque as shown in the following Bare Wire Torque Specifications chart.



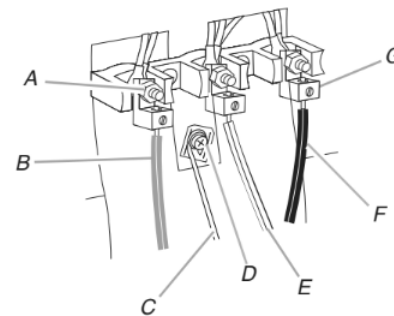
- A. Terminal lug
- B. Setscrew
- C. Line 2 (red) wire
- D. Neutral (white) wire
- E. Line 1 (black) wire

Bare Wire Torque Specifications

Attaching terminal lugs to the terminal block - 20 lbs-in. (2.3 N-m)

| Wire Awg | Torque |
|------------------|----------------------|
| 8 gauge copper | 25 lbs-in. (2.8 N-m) |
| 6 gauge aluminum | 35 lbs-in. (4.0 N-m) |

- Use a hex or Phillips screwdriver to connect the bare (green) ground wire to the range with the ground-link screw and ground-link section. The ground wire must be attached first and must not contact any other terminal.
- Use 3/8" nut driver to connect the neutral (white) wire to the center terminal block post with one of the 10-32 hex nuts.



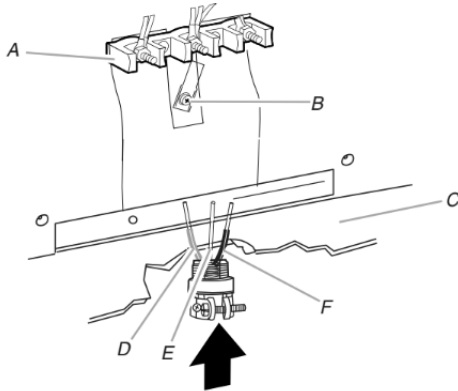
- A. 10-32 hex nut
- B. Line 2 (red) wire
- C. Bare (green) ground wire
- D. Ground-link screw
- E. Neutral (white) wire
- F. Line 1 (black) wire
- G. Terminal lug

- Connect line 2 (red) and line 1 (black) wires to the outer terminal block posts with 10-32 hex nuts.
- Securely tighten hex nuts.
- Replace terminal block access cover.

3-Wire Connection: Direct Wire

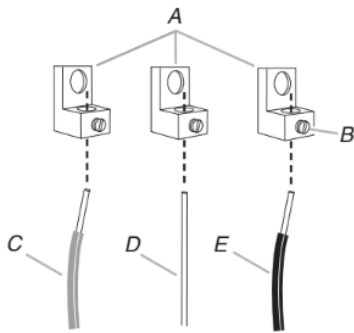
Use this method only if local codes permit connecting ground conductor to neutral supply wire.

1. Pull the wires through the conduit on cord/conduit plate on bottom of range. Allow enough slack to easily attach the wiring to the terminal block.



- A. Terminal block
- B. Ground-link screw
- C. Cord/conduit plate
- D. Line 2 (red) wire
- E. Bare (green) ground wire
- F. Line 1 (black) wire

2. Attach terminal lugs to line 2 (red), bare (green) ground, and line 1 (black) wires. Loosen (do not remove) the setscrew on the front of the terminal lug and insert exposed wire end through bottom of terminal lugs. Securely tighten setscrew to torque as shown in the following Bare Wire Torque Specifications chart.



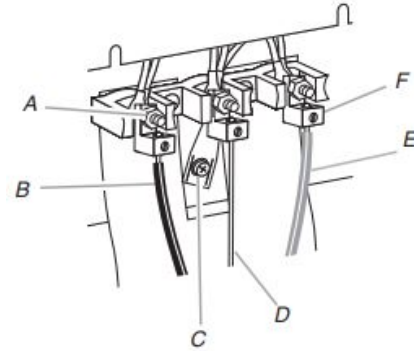
- A. Terminal lug
- B. Setscrew
- C. Line 2 (red) wire
- D. Bare (green) ground wire
- E. Line 1 (black) wire

Bare Wire Torque Specifications

Attaching terminal lugs to the terminal block - 20 lbs-in. (2.3 N-m)

| Wire Awg | Torque |
|------------------|----------------------|
| 8 gauge copper | 25 lbs-in. (2.8 N-m) |
| 6 gauge aluminum | 35 lbs-in. (4.0 N-m) |

3. Use 3/8" nut driver to connect the bare (green) ground wire to the center terminal block post with one of the 10–32 hex nuts.



- A. 10-32 hex nut
- B. Line 2 (red) wire
- C. Ground-link screw
- D. Bare (green) ground wire
- E. Line 1 (black) wire
- F. Terminal lug

4. Connect line 2 (red) and line 1 (black) wires to the outer terminal block posts with 10-32 hex nuts.
5. Securely tighten hex nuts.
6. Replace terminal block access cover.

Verify Anti-Tip Bracket Is Installed and Engaged

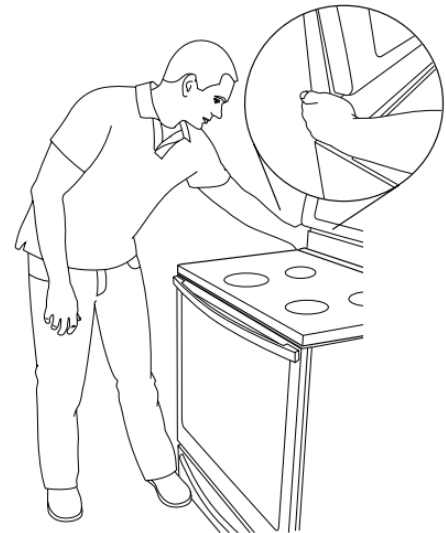
On Ranges Equipped with a Storage Drawer:

1. Remove the storage drawer. See “Storage Drawer” section.
2. Use a flashlight to look underneath the bottom of the range.
3. Visually check that the rear range foot is inserted into the slot of the anti-tip bracket.

On Ranges Equipped with a Warming Drawer or Premium Storage Drawer:

1. Place the outside of your foot against the bottom front of the warming drawer or premium storage drawer, and grasp the lower right or left side of the control panel as shown.

NOTE: If your countertop is mounted with a backsplash, it may be necessary to grasp the range higher than is shown in the illustration.



2. Slowly attempt to tilt the range forward. If you encounter immediate resistance, the range foot is engaged in the anti-tip bracket.

3. If the rear of the range lifts more than 1/2" (1.3 cm) off the floor without resistance, stop tilting the range and lower it gently back to the floor. The range foot is not engaged in the anti-tip bracket.

IMPORTANT: If there is a snapping or popping sound when lifting the range, the range may not be fully engaged in the bracket. Check to see if there are obstructions keeping the range from sliding to the wall or keeping the range foot from sliding into the bracket. Verify that the bracket is held securely in place by the mounting screws.

4. Slide the range forward, and verify that the anti-tip bracket is securely attached to the floor or wall.
5. Slide range back so the rear range foot is inserted into the slot of the anti-tip bracket.

IMPORTANT: If the back of the range is more than 2" (5.1 cm) from the mounting wall, the rear range foot may not engage the bracket. Slide the range forward and determine if there is an obstruction between the range and the mounting wall. If you need assistance or service, refer to the Quick Start Guide for contact information.

6. Repeat steps 1 and 2 to ensure that the range foot is engaged in the anti-tip bracket.

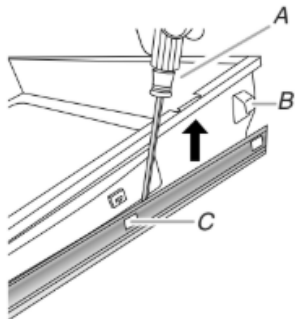
If the rear of the range lifts more than 1/2" (1.3 cm) off the floor without resistance, the anti-tip bracket may not be installed correctly. Do not operate the range without anti-tip bracket installed and engaged. Please refer to the Quick Start Guide for contact information.

Warming Drawer or Premium Storage Drawer (on some models)

Remove all items from inside the warming drawer or premium storage drawer, and allow the range to cool completely before attempting to remove the drawer.

To Remove:

1. Open the warming drawer or premium storage drawer to its fully open position.
2. Using a flat-blade screwdriver, gently loosen the warming drawer or premium storage drawer from the glide alignment notch and lift up the drawer alignment tab from the glide.

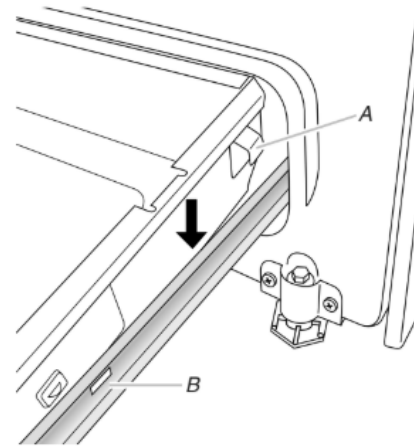


A. Flat-blade screwdriver
B. Drawer alignment tab
C. Drawer glide notch

3. Repeat Step 2 on the other side. The warming drawer or premium storage drawer is no longer attached to the drawer glides. Using both hands, pick up the warming drawer or premium storage drawer to complete the removal.

To Replace:

1. Align the forward drawer notches with the notches in the drawer glides on both sides. Place the rear alignment tabs into the drawer glides on both sides.



A. Drawer alignment tab
B. Drawer glide notch

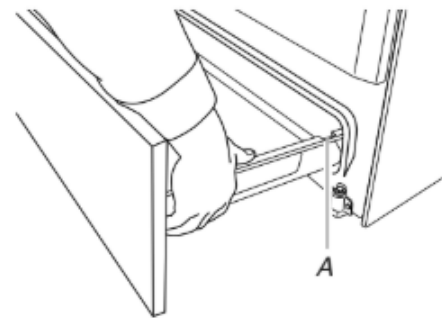
2. Push the warming drawer or premium storage drawer in all the way.
3. Gently open and close the warming drawer or premium storage drawer to ensure it is seated properly on the glides on both sides.

Storage Drawer (on some models)

The storage drawer can be removed. Before removing, make sure drawer is cool and empty.

To Remove:

1. Pull the storage drawer straight back to the drawer stop.



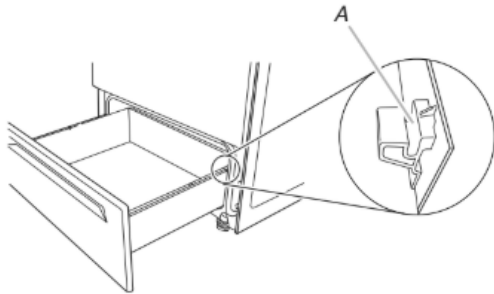
A. Drawer stop notch

2. Lift up the front of the drawer and pull the drawer out.

To Replace:

1. Lift up the front of the drawer and place the rear of the drawer inside the range so that the drawer stop notch is behind the drawer glide.
2. Lower the drawer so that the edge of the slide rail drops into the slot in the drawer glide.

3. Slowly push the drawer into the range.



A. Engage drawer glide.

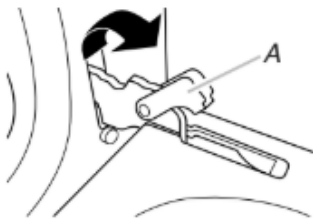
NOTE: When properly installed, the rear slides on the bottom of the drawer will engage the base rails and the drawer will not tip when items are placed in the drawer.

Oven Door

For normal range use, it is not suggested to remove the oven door. However, if removal is necessary, make sure the oven is off and cool. Then, follow these instructions. The oven door is heavy.

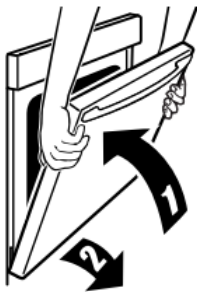
To Remove:

1. Open oven door all the way.
2. Pinch the hinge latch between two fingers and pull forward. Repeat on other side of oven door.



A. Hinge latch

3. Close the oven door as far as it will shut.
4. Lift the oven door while holding both sides. Continue to push the oven door closed and pull it away from the oven door frame.



To Replace:

1. Insert both hanger arms into the door.



2. Open the oven door. You should hear a "click" as the door is set into place.
3. Move the hinge levers back to the locked position. Check that the door is free to open and close. If it is not, repeat the removal and installation procedures.

Complete Installation

1. Check that all parts are now installed. If there is an extra part, go back through the steps to see which step was skipped.
2. Check that you have all of your tools.
3. Dispose of/recycle all packaging materials.
4. Check that the range is level. See the "Level Range" section.
5. Use a mild solution of liquid household cleaner and warm water to remove waxy residue caused by shipping material. Dry thoroughly with a soft cloth. For more information, read the "Range Maintenance and Care" section.
6. Read the Quick Start Guide and online Control Guide.
7. Plug power cord into appropriate outlet. Turn power on.
8. Turn on surface burners and oven. See the Quick Start Guide and online Control Guide for specific instruction on range operation.

If Range Does Not Operate, Check the Following:

- Household fuse is intact and tight; or circuit breaker has not tripped.
 - Range is plugged into a grounded outlet.
 - Electrical supply is connected.
- IMPORTANT:** If the range control displays an "F9" or "F9, E0" error code, the electrical outlet in the home may be miswired. Disconnect power and contact a qualified electrician to verify the electrical supply.
- See the online Troubleshooting section.

When the range has been on for 5 minutes, check for heat. If the range is cold, turn off the range and contact a qualified electrician.

Moving the Range

⚠ WARNING



Tip Over Hazard

A child or adult can tip the range and be killed.

Install anti-tip bracket to floor or wall per installation instructions.

Slide range back so rear range foot is engaged in the slot of the anti-tip bracket.

Re-engage anti-tip bracket if range is moved.

Do not operate range without anti-tip bracket installed and engaged.

Failure to follow these instructions can result in death or serious burns to children and adults.

When moving range, slide range onto cardboard or hardboard to avoid damaging the floor covering.

If removing the range is necessary for cleaning or maintenance:

For power supply cord-connected ranges:

1. Slide range forward.
2. Unplug the power supply cord.
3. Complete cleaning or maintenance.
4. Plug in power supply cord.
5. Check that the anti-tip bracket is installed and engaged. See the "Verify Anti-Tip Bracket Is Installed and Engaged" section.
6. Check that range is level.

For direct-wired ranges:

⚠ WARNING



Electrical Shock Hazard

Disconnect power before servicing.

Replace all parts and panels before operating.

Failure to do so can result in death or electrical shock.

1. Disconnect power.
2. Slide range forward.
3. Complete cleaning or maintenance.
4. Check that the anti-tip bracket is installed and engaged. See the "Verify Anti-Tip Bracket Is Installed and Engaged" section.
5. Check that range is level.
6. Reconnect power.

SÉCURITÉ DE LA CUISINIÈRE

Votre sécurité et celle des autres est très importante

Nous donnons de nombreux messages de sécurité importants dans ce manuel et sur votre appareil ménager. Assurez-vous de toujours lire tous les messages de sécurité et de vous y conformer.



Voici le symbole d'alerte de sécurité.

Ce symbole d'alerte de sécurité vous signale les dangers potentiels de décès et de blessures graves à vous et à d'autres.

Tous les messages de sécurité suivront le symbole d'alerte de sécurité et le mot "DANGER" ou "AVERTISSEMENT". Ces mots signifient :

⚠ DANGER

Risque possible de décès ou de blessure grave si vous ne suivez pas immédiatement les instructions.

⚠ AVERTISSEMENT

Risque possible de décès ou de blessure grave si vous ne suivez pas les instructions.

Tous les messages de sécurité vous diront quel est le danger potentiel et vous disent comment réduire le risque de blessure et ce qui peut se produire en cas de non-respect des instructions.

La cuisinière ne basculera pas pendant une utilisation normale. Cependant, la cuisinière peut basculer, si vous appliquez trop de force ou de poids à la porte de la cuisinière, sans avoir adéquatement fixé la bride antibasculement.

⚠ AVERTISSEMENT

Risque de basculement

Une personne, enfant ou adulte, peut faire basculer la cuisinière et subir des blessures mortelles.

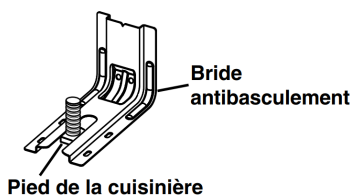
Fixer la bride antibasculement au plancher ou au mur, conformément aux instructions d'installation.

Faire glisser de nouveau la cuisinière de façon à ce que son pied arrière se trouve dans la fente de la bride antibasculement.

Joindre de nouveau la bride antibasculement si la cuisinière est déplacée.

Ne pas faire fonctionner la cuisinière si la bride antibasculement n'est pas installée et engagée.

Le non-respect de ces instructions peut causer un décès ou des brûlures graves aux enfants et aux adultes.



Pour vérifier que la bride antibasculement est bien installée et engagée :

- Faire glisser la cuisinière vers l'avant.
- Vérifier que la bride antibasculement est bien fixée au plancher ou au mur.
- Faire glisser de nouveau la cuisinière de façon à ce que le pied arrière de la cuisinière se trouve sous la bride antibasculement.
- Voir les directives d'installation pour obtenir de plus amples renseignements.

INSTRUCTIONS IMPORTANTES DE SÉCURITÉ

AVERTISSEMENT: Pour réduire le risque d'incendie, de choc électrique, de blessures ou de dommages lors de l'utilisation de la cuisinière, il convient d'observer certaines précautions élémentaires dont les suivantes :

- **AVERTISSEMENT:** POUR MINIMISER LE RISQUE DE BASCULEMENT DE LA CUISINIÈRE, ELLE DOIT ÊTRE BIEN IMMOBILISÉE PAR DES DISPOSITIFS ANTIBASCULEMENT CORRECTEMENT INSTALLÉS. POUR VÉRIFIER SI LES DISPOSITIFS SONT CORRECTEMENT INSTALLÉS, GLISSER LA CUISINIÈRE VERS L'AVANT ET VÉRIFIER SI LA BRIDE ANTIBASCULEMENT EST BIEN FIXÉE AU PLANCHER OU AU MUR, ET GLISSER LA CUISINIÈRE VERS L'ARRIÈRE POUR QUE LE PIED ARRIÈRE DE LA CUISINIÈRE SOIT SOUS LA BRIDE ANTIBASCULEMENT.
- **MISE EN GARDE:** Ne pas remiser dans des armoires au-dessus de la cuisinière ou sur le dossier d'une cuisinière, des objets que des enfants pourraient vouloir atteindre. Les enfants pourraient se blesser gravement en grimpant sur la cuisinière.
- Installation appropriée – La cuisinière, lorsqu'elle est correctement installée, doit être reliée à la terre conformément aux codes électriques locaux ou, en l'absence de codes locaux, selon le *Code électrique national (US) ANSI/NFPA 70* ou le *Code canadien de l'électricité*. S'assurer que la cuisinière est correctement installée et reliée à la terre par un technicien qualifié.
- Ne jamais utiliser le cuisinière pour chauffer ou réchauffer la pièce.
- Ne pas laisser d'enfants seuls – les enfants ne devraient pas être laissés seuls ou sans surveillance dans les zones où la cuisinière se situe. Ils ne doivent jamais être autorisés à s'asseoir ou à se tenir debout sur une partie quelconque de la appareil.
- Porter des vêtements adaptés – Les vêtements pendants ou non ajustés ne doivent jamais être portés lorsqu'on utilise la appareil.
- Entretien par l'utilisateur – Ne pas réparer ou remplacer une quelconque pièce de la appareil sans recommandation spécifique du manuel.
- Entreposage dans ou sur la appareil – Les matières inflammables ne doivent pas être entreposées dans un four ou près de la surface de la table.

CONSERVEZ CES INSTRUCTIONS

INSTRUCTIONS IMPORTANTES DE SÉCURITÉ

- Cet appareil n'est pas conçu pour servir d'espace de rangement.
 - Ne pas utiliser d'eau sur les feux de friture – Éteindre le feu ou la flamme ou utiliser un extincteur avec agent chimique sec ou mousseux.
 - Ne pas utiliser de pièces de remplacement qui n'ont pas été recommandées par le fabricant (c.-à-d., des pièces fabriquées à la maison à l'aide d'une imprimante 3D).
 - Utiliser uniquement des mitaines sèches – Les mitaines humides ou trempées sur les surfaces chaudes peuvent provoquer des brûlures dues à la vapeur. Ne pas laisser les mitaines toucher des éléments chauffants et chauds. Ne pas utiliser un chiffon ou tout autre tissu encombrant.
 - **NE PAS TOUCHER LES UNITÉS DE SURFACE OU LES ZONES PRÈS DES UNITÉS DE SURFACE** – Les unités de surface peuvent être chaudes même si elles sont de couleur foncée. Les zones près des unités de surface peuvent être suffisamment chaudes pour provoquer des brûlures. Pendant et après l'utilisation, ne pas toucher ou laisser des vêtements ou d'autres matériaux inflammables en contact avec les unités de surface ou les zones près des unités de surface tant qu'elles n'ont pas suffisamment refroidi. Parmi ces zones, on compte la table de cuisson et les zones face à la table de cuisson.
 - Utiliser des ustensiles de taille appropriée – Cet appareil est équipé d'une ou plusieurs unités de surface de différentes tailles. Choisir des ustensiles ayant des fonds plats suffisamment grands pour couvrir l'élément chauffant de surface. L'utilisation d'ustensiles sous dimensionnés exposera une partie de l'élément chauffant à un contact direct et peut entraîner l'inflammation des vêtements. Un bon contact entre l'ustensile et le brûleur améliorera l'efficacité de la table.
 - Ne jamais laisser les surfaces de cuisson sans surveillance à des réglages de chaleur élevée – Les ébullitions provoquent de la fumée et des éclaboussures grasses qui peuvent s'enflammer.
 - S'assurer que les réflecteurs ou cuvettes ramasse-gouttes sont en place – L'absence de ces éléments pendant la cuisson peut endommager les conducteurs et composants se trouvant en dessous.
 - Revêtements de protection – Ne pas utiliser de papier aluminium pour recouvrir la surface des cuvettes ramasse-gouttes ou le fond du four, sauf si le manuel le suggère.
 - Ustensiles de cuisson émaillés – seuls certains types d'ustensiles en verre, vitrocéramique, céramique, terre cuite ou autre émaillage peuvent être utilisés sur la surface de la cuisinière sans briser en raison du changement de température soudain.
 - Les poignées des ustensiles doivent être tournées vers l'intérieur et ne doivent pas dépasser au-dessus des unités de surface de cuisson – Pour éviter le risque de brûlures, d'inflammation des matières inflammables et d'éclaboussures dues à un contact non intentionnel avec l'ustensile, la poignée d'un ustensile doit toujours être positionnée vers l'intérieur et ne doit pas dépasser au-dessus des surfaces de cuisson adjacentes.
 - Ne pas tremper l'élément chauffant amovible – Les éléments chauffants ne doivent jamais être immergés dans l'eau.
 - Ne pas cuire sur une table de cuisson brisée – Si la table de cuisson est cassée, les agents de nettoyage et les éclaboussures peuvent pénétrer dans la table de cuisson brisée et créer un risque de choc électrique. Contacter un électricien qualifié immédiatement dans ce cas.
 - Nettoyer la table de cuisson avec précaution – Si une éponge ou un linge humide est utilisé pour nettoyer les éclaboussures sur une zone de cuisson chaude, faire attention aux brûlures dues à la vapeur. Certains nettoyeurs peuvent produire des fumées toxiques si appliqués sur une surface chaude.
 - Ouvrir la porte lentement – Laisser la chaleur ou la vapeur s'échapper avant de retirer ou de remettre en place un plat.
 - Ne pas faire chauffer un contenant qui n'a pas été ouvert – L'accumulation de pression pourrait faire éclater le contenant et causer des blessures.
 - Garder dégagés les conduits de ventilation du four.
 - Si une grille doit être déplacée pendant que le four est chaud, ne pas laisser la poignée entrer en contact avec l'élément chaud du four.
 - **NE PAS TOUCHER LES ÉLÉMENTS CHAUFFANTS OU LES SURFACES INTÉRIEURES DU FOUR** – Les éléments chauffants peuvent être chauds même s'ils sont de couleur foncée. Pendant et après l'utilisation, ne pas toucher ou laisser des vêtements ou d'autres matériaux inflammables en contact avec les éléments chauffants ou les surfaces intérieures tant qu'ils n'ont pas suffisamment refroidi. Les autres surfaces de l'appareil peuvent devenir suffisamment chaudes pour causer des brûlures – les ouvertures de ventilation et les surfaces autour de ces ouvertures, les portes du four et les hublots de portes font partie de ces surfaces.
 - Il faut faire attention de ne pas laisser le papier aluminium et la sonde de cuisson entrer en contact avec les éléments chauffants.
- Pour les cuisinières autonettoyantes –**
- Ne pas nettoyer le joint de la porte – Le joint de la porte est essentiel pour une bonne étanchéité. Faire attention à ne pas frotter, endommager ou déplacer le joint.
 - Ne pas utiliser de nettoyeurs à four – Aucun nettoyeur commercial ou revêtement de protection pour four d'aucune sorte ne devrait être utilisé dans le four ou près de ses parties.
 - Ne nettoyer que les pièces indiquées dans le manuel.
 - Avant de mettre en marche l'autonettoyage – Enlever la lèchefrite et les autres ustensiles.
- Pour les appareils avec hotte de ventilation –**
- Nettoyer régulièrement les hottes de ventilation – Ne pas laisser la graisse s'accumuler dans la hotte ou le filtre.
 - Lorsque des aliments sont flambés sous la hotte, mettre le ventilateur en marche.
- Pour les cuisinières et fours intelligents**
- Utilisation à distance – cet appareil peut être configuré pour permettre l'utilisation à distance en tout temps. Ne pas ranger de matériaux inflammables ou sensibles à la température sur le dessus ou près de la surface de l'appareil.

CONSERVER CES INSTRUCTIONS

ENTRETIEN ET RÉPARATION DE LA CUISINIÈRE

Programme d'autonettoyage (sur certains modèles)

⚠ AVERTISSEMENT



Risque de brûlures

Ne pas toucher le four au cours du programme d'autonettoyage.

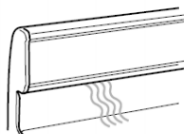
Garder les enfants loin du four au cours du programme d'autonettoyage.

Le non-respect de ces instructions peut causer des brûlures.

IMPORTANT: La santé de certains oiseaux est très sensible aux émanations qui surviennent durant le programme d'autonettoyage. L'exposition aux émanations peut entraîner la mort de certains oiseaux. Toujours déplacer les oiseaux dans une autre pièce fermée et bien aérée.

Veiller à ce que la cuisine soit bien aérée pendant le programme d'autonettoyage afin d'aider à éliminer la chaleur, les odeurs et la fumée.

Ne pas obstruer le ou les événements du four durant le programme d'autonettoyage. L'air doit pouvoir circuler librement. L'air doit pouvoir circuler librement. Selon votre modèle, voir la section "Évent du four" ou "Événements du four" dans le guide de démarrage rapide.



A. Événement du four

Ne pas nettoyer, frotter, endommager ou déplacer le joint d'étanchéité de la porte du four.

Préparation de la hotte :

- Sortir du four la lèchefrite, la grille, les ustensiles de cuisson au four et de rôtissage, les grilles du four, le papier d'aluminium et sur certains modèles, la sonde thermométrique.
- Utiliser un chiffon humide pour nettoyer l'intérieur de la porte et une zone de 1 1/2" (38 mm) sur le pourtour du cadre de la cavité du four, en prenant soin de ne pas déplacer ni plier le joint d'étanchéité.
- Essuyer toute saleté décollée afin de réduire la fumée et d'éviter les dommages. À des températures élevées, les aliments réagissent avec la porcelaine. Cette réaction peut causer des taches, des attaques, des piqûres ou de légères taches blanches. Ceci n'affectera pas la performance de cuisson.
- Enlever les articles de plastique de la table de cuisson, car ils peuvent fondre.

- Enlever tous les articles du tiroir de remisage.

Comment fonctionne le programme

IMPORTANT: Le chauffage et le refroidissement de la porcelaine sur l'acier dans le four peuvent causer une décoloration, une perte de lustre, des fissures minuscules et des craquements.

Le programme d'autonettoyage utilise des températures très élevées, brûlant les saletés pour les réduire en cendre.

Lorsque le four a complètement refroidi, retirer la cendre avec un chiffon humide. Afin d'éviter de briser le verre, ne pas appliquer de chiffon humide et froid sur la partie interne du hublot de la porte avant qu'il n'ait complètement refroidi.

Pour arrêter le programme d'autonettoyage à tout moment, appuyer sur la touche CANCEL ou OFF/CANCEL (arrêt/annulation). Si la température est trop élevée, la porte du four reste verrouillée et "cool" et "🔒" s'affichent.

Tant que "🔒" (verrouillé) est affiché, il est impossible d'ouvrir la porte du four. Pour éviter d'endommager la porte, ne pas forcer l'ouverture tant que "🔒" s'affichent.

Avant l'autonettoyage, s'assurer que la porte est complètement fermée sinon elle ne se verrouillera pas et le programme d'autonettoyage ne commencera pas.

Une fois la température de nettoyage atteinte, la commande électronique nécessite un délai de 12 heures avant qu'un autre programme d'autonettoyage puisse être lancé.

La lampe du four ne fonctionne pas durant le programme d'autonettoyage.

Commande électronique de four avec temps de nettoyage ajustable (sur certains modèles)

La durée du programme de autonettoyage est réglable entre 2 h 30 et 4 h 30 par tranches de 30 minutes. Les durées de nettoyage suggérées sont de 2 h 30 pour des saletés légères et de 4 h 30 pour des saletés abondantes.

IMPORTANT: Lorsque la table de cuisson est en cours d'utilisation, le programme de autonettoyage est désactivé. Lorsque le programme de nettoyage est en cours, la table de cuisson est verrouillée.

Pour utiliser l'autonettoyage :

1. Appuyer sur CLEAN (nettoyage) ou SELF CLEAN (autonettoyage).
2. Appuyer sur la touche Temp/Time (température/durée) "+" ou "-" ou "vers le haut" ou "vers le bas" pour entrer la durée du programme d'autonettoyage désirée.
3. Appuyer sur START (mise en marche)

La porte du four se verrouille automatiquement. Les témoins lumineux Door locked (porte verrouillée) et Clean (nettoyage) s'allument. La durée résiduelle est également affichée.

4. Lorsque le programme d'autonettoyage est terminé et que le four est froid, les témoins lumineux Door locked (porte verrouillée) et Clean (nettoyage) s'éteignent.
5. Lorsque le four a complètement refroidi, retirer la cendre avec un chiffon humide.

Pour quitter le programme d'autonettoyage avant la fin, appuyer sur CANCEL ou OFF/CANCEL (arrêt/annulation). La porte se déverrouille dès que le four est froid.

Nettoyage Général

IMPORTANT: Avant le nettoyage, s'assurer que toutes les commandes sont éteintes et que le four et la table de cuisson sont froids. Toujours suivre les instructions figurant sur les étiquettes des produits de nettoyage.

Du savon, de l'eau et un chiffon doux ou une éponge sont recommandés, à moins d'indications contraires.

SURFACES EN EMAIL VITRIFIÉ UNIQUEMENT (sur certains modèles)

Les éclaboussures alimentaires acides, telles que vinaigre et tomate, doivent être nettoyées dès que la cuisinière a refroidi. Ces salissures peuvent endommager le fini.

Méthode de nettoyage:

- Nettoyer délicatement autour de la plaque signalétique/des numéros de modèle et de série, car le frottement pourrait effacer les chiffres.
- Nettoyant affresh® pour cuisine et appareils ménagers - pièce numéro W10355010 (non fourni):

Consulter le Guide de démarrage rapide pour obtenir les coordonnées.

ACIER INOXYDABLE (sur certains modèles)

REMARQUE: Afin d'éviter d'endommager les surfaces en acier inoxydable, ne pas utiliser de tampons à récurer savonneux, de nettoyants abrasifs, de crème à polir pour table de cuisson, de tampons en laine d'acier, de chiffons de lavage rêches ou d'essuie-tout abrasifs. Ils peuvent endommager les surfaces en acier inoxydable, même après usage unique ou limité.

Méthode de nettoyage :

Frotter dans la direction du grain pour éviter les dommages.

- Nettoyant pour acier inoxydable affresh® référence W10355016 (non fourni) :

Consulter le Guide de démarrage rapide pour obtenir les coordonnées

PEINTURE MÉTALLIQUE (sur certains modèles)

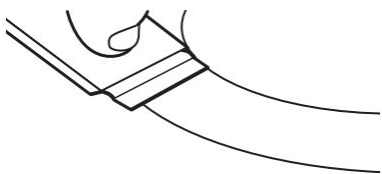
Ne pas utiliser de nettoyants abrasifs, de nettoyants avec agent de blanchiment, de produits antirouille, d'ammoniaque ou d'hydroxyde de sodium (soude), car la surface peinte pourrait se tacher.

NETTOYAGE DE LA TABLE DE CUISSON EN VITROCÉRAMIQUE

Méthode de nettoyage :

Afin d'éviter d'endommager la table de cuisson, ne pas utiliser de laine d'acier, de nettoyants en poudre abrasifs, d'eau de Javel, de produit antirouille ou d'ammoniaque.

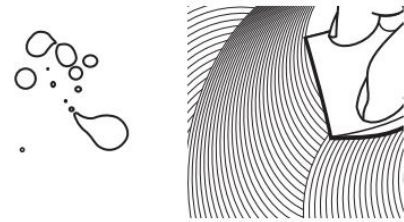
1. Éliminer les salissures alimentaires avec le grattoir pour table de cuisson.



- Pour de meilleurs résultats, utiliser le grattoir pendant que la table de cuisson est encore tiède, mais non brûlante au toucher. Il est recommandé de porter des mitaines de four pour gratter la table de cuisson tiède.
- Tenir le grattoir pour table de cuisson à un angle d'environ 45° par rapport à la surface de verre et gratter les salissures. Il convient d'appuyer fermement pour éliminer les salissures.

Laisser la table de cuisson refroidir complètement avant de passer à l'étape 2.

2. Appliquer quelques gouttes de nettoyant pour table de cuisson affresh® sur les zones concernées.



- Frotter le nettoyant affresh® sur la surface de la table de cuisson avec le tampon bleu de nettoyage des tables de cuisson. Il convient d'appuyer fermement pour éliminer les taches rebelles.
- Laisser le produit nettoyant sécher en une pellicule blanchâtre avant de passer à l'étape 3.

3. Faire briller avec un chiffon ou essuie-tout propre et sec.



- Répéter éventuellement les étapes 1 à 3 pour les taches les plus tenaces ou incrustées.

Le nécessaire complet de nettoyage des tables de cuisson est disponible à la commande. Il contient :

- Grattoir pour table de cuisson
- Nettoyant pour table de cuisson affresh®
- Tampons bleus de nettoyage des tables de cuisson

Consulter le Guide de démarrage rapide pour obtenir les coordonnées.

COMMANDES DE LA TABLE DE CUISSON

Afin d'éviter d'endommager les commandes de la table de cuisson, ne pas utiliser de laine d'acier, de nettoyants abrasifs ou de nettoyant pour four.

Afin d'éviter toute détérioration, ne pas laisser tremper les boutons de commande. Lors de la réinstallation des boutons, s'assurer que chaque bouton est à la position Off (arrêt).

Sur certains modèles, ne pas enlever les joints sous les boutons.

Méthode de nettoyage :

- Savon et eau :

Tirer les boutons en ligne droite hors du tableau de commande pour les enlever.

TABLEAU DE COMMANDE ET EXTÉRIEUR DE LA PORTE DU FOUR

Afin d'éviter d'endommager le tableau de commande, ne pas utiliser de nettoyants abrasifs, de tampons en laine d'acier, de chiffons de lavage rêches ou d'essuie-tout abrasifs.

Méthode de nettoyage:

- Nettoyant à vitre et chiffon doux ou éponge : Appliquer le nettoyant à vitre sur un chiffon doux ou une éponge, et non directement sur le tableau.
- Nettoyant pour cuisine et appareils ménagers Affresh® - pièce numéro W10355010 (non fourni) :

Voir le guide de démarrage rapide pour les informations de commande.

ÉLÉMENTS EN SPIRALE (sur certains modèles)

Méthode de nettoyage :

- Chiffon humide : S'assurer que les boutons de commande sont désactivés et que les éléments sont froids.

Ne pas nettoyer ni immerger dans l'eau. Les salissures brûlent lorsqu'elles chauffent.

CUVETTES DES BRÛLEURS (sur certains modèles)

Avant de retirer ou de remplacer les éléments en spirale et les cuvettes de brûleur, s'assurer qu'ils sont froids et que les boutons de commande sont en position OFF (arrêt).

Retirer l'élément en spirale en poussant son pourtour vers le réceptacle. Le soulever suffisamment pour pouvoir dégager la cuvette de brûleur. Tirer l'élément en spirale en ligne droite pour le dégager du réceptacle. Soulever la cuvette du brûleur pour la dégager.

Méthode de nettoyage:

Cuvettes de brûleur chromées

Laver fréquemment à l'eau savonneuse tiède. (Il n'est pas recommandé de laver les cuvettes chromées au lave-vaisselle). Il est possible d'utiliser un produit de nettoyage modérément abrasif et une spatule à récurer en plastique pour éliminer les taches tenaces.

Pour les cuvettes de brûleur très sales, placer un morceau d'essuie-tout imbibé d'ammoniaque sur les taches et laisser tremper pendant une courte durée. Frotter ensuite doucement avec une spatule à récurer en plastique.

SURFACE SOUS LA TABLE DE CUISSON (sur certains modèles)

Le dessous de la table de cuisson à éléments en spirale est facilement accessible pour le nettoyage. Soulever la table de cuisson par les deux coins avant jusqu'à ce que le support s'emboîte.

Méthode de nettoyage:

- Nettoyant à vitre, nettoyant doux liquide ou tampon à récurer non abrasif.
- Nettoyant affresh® pour cuisine et appareils ménagers - pièce numéro W10355010 (non fourni) :
Consulter le Guide de démarrage rapide pour obtenir les coordonnées.

Afin d'éviter d'endommager la cuisinière, ne pas retirer la table de cuisson.

GRILLES DU FOUR

Méthode de nettoyage :

- Tampon en laine d'acier
- Pour les grilles ternies qui glissent difficilement, enduire
- légèrement les glissières d'huile végétale; cela facilitera leur glissement.

TIROIR DE REMISAGE OU TIROIR-RÉCHAUD (sur certains modèles)

S'assurer que le tiroir est froid et vide avant le nettoyage.

Méthode de nettoyage :

- Détergent doux

CAVITÉ DU FOUR

Ne pas utiliser de nettoyants à four.

Les éclaboussures alimentaires doivent être nettoyées lorsque le four a refroidi. À haute température, les aliments réagissent avec l'émail. Taches, une attaque acide, des piqûres ou des décolorations blanchâtres.

Méthode de nettoyage

- Programme de nettoyage : Voir la section « Programme d'autonettoyage ».

INSTRUCTIONS D'INSTALLATION

EXIGENCE

Outillage et pièces

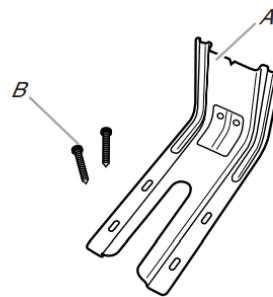
Rassembler les outils et pièces nécessaires avant d'entreprendre l'installation. Lire et observer les instructions fournies avec chacun des outils de la liste ci-dessous.

Outils nécessaires

- Ruban à mesurer
- Tournevis à lame plate
- Tournevis à tête cruciforme
- Niveau
- Marteau
- Perceuse manuelle ou électrique
- Clé ou pince
- Marqueur ou crayon
- Ruban adhésif de masquage
- Clé à cliquet de 1/4" (6,4 mm)
- Tourne-écrou de 1/4" (6,4 mm)
- Tourne-écrou de 3/8" (1 cm) et 5/16" (7,9 mm)
- Foret de 1/8" (3,2 mm) (pour planchers en bois)
- Tin snips or large wire cutters (for cutting ground strap if necessary)

Pièces fournies

Vérifier que toutes les pièces sont présentes.



A. Bride antibasculement
B. no 12 x 1 5/8" 2 Vis

- La bride antibasculement doit être bien fixée au plancher ou au mur. La profondeur du plancher peut nécessiter des vis plus longues pour l'ancrage de la bride dans le plancher.

Pièces nécessaires

En cas d'utilisation d'un cordon d'alimentation électrique :

- Cordon d'alimentation (homologation UL) conçu pour l'utilisation avec une cuisinière. Pour service 250 V minimum, 40 A ou 50 A, compatible avec une ouverture de diamètre nominal de 1 3/8" (3,5 cm) pour le raccordement, et avec cosses rondes ou en fourche à pointes relevées à l'extrémité de chaque conducteur.
- Un serre-câbles (homologation UL).

Consulter les codes locaux. Vérifier l'alimentation électrique existante. Voir la section "Spécifications électriques".

Il est recommandé de faire réaliser tous les raccordements électriques par un électricien qualifié agréé.

REMARQUE: S'assurer d'acheter uniquement des pièces et des accessoires Whirlpool certifiés par le fabricant de l'appareil. Il se peut que l'installation nécessite des pièces supplémentaires. Pour commander, consulter les coordonnées indiquées dans le guide de démarrage rapide.

Exigences d'emplacement

IMPORTANT: Observer les dispositions de tous les codes et règlements en vigueur.

- C'est à l'installateur qu'incombe la responsabilité de respecter les distances de séparation spécifiées sur la plaque signalétique. La plaque signalétique est située sur le châssis derrière un coin supérieur de la porte ou d'un côté du tiroir.
- La cuisinière doit être installée à un endroit pratique dans la cuisine.
- Dans le cas d'une cuisinière encastrée, l'enceinte doit recouvrir complètement les côtés et l'arrière de la cuisinière.
- Toutes les ouvertures dans le mur ou le plancher de l'emplacement d'installation de la cuisinière doivent être scellées.
- Les dimensions d'ouverture de l'armoire indiquées doivent être utilisées. Ces dimensions constituent les valeurs minimums des dégagements.
- La bride antibasculement doit être installée. Pour l'installation de la bride antibasculement fournie avec la cuisinière, voir la section « Installation de la bride antibasculement ».
- Une source électrique avec liaison à la terre est nécessaire. Consulter la section « Exigences électriques » appropriée.
- Demander à un installateur de revêtement de sol qualifié de vérifier que le revêtement de plancher peut supporter une température de 200 °F (93 °C).
- Dans le cas de l'installation de la cuisinière sur une moquette, placer sous la cuisinière un tapis isolant ou une plaque de contreplaqué de 1/4 po (6,4 mm).

IMPORTANT: Pour éviter d'endommager vos armoires, vérifier avec le fabricant ou le fournisseur d'armoires pour s'assurer que les matériaux utilisés ne décoloreront et ne délamineront pas ou ne subiront pas d'autres dommages. Ce four a été conçu conformément aux exigences des normes UL et CSA International et respecte les températures maximales permises de 194 °F (90 °C) pour les armoires en bois.

Résidence mobile – Spécifications additionnelles à respecter lors de l'installation

L'installation de cette cuisinière doit être conforme aux dispositions de la norme Manufactured Home Construction and Safety Standard, Title 24 CFR, Part 3280 (anciennement Federal Standard for Mobile Home Construction and Safety, Title 24, HUD Part 280). Lorsque cette norme n'est pas applicable, utiliser la norme Standard for Manufactured Home Installations, ANSI A225.1/NFPA 501A ou respecter les dispositions des codes locaux.

Au Canada, l'installation de cette cuisinière doit satisfaire aux stipulations de la version la plus récente de la norme CAN/CSA-Z240.1 ou des codes locaux en vigueur.

Autres critères à respecter pour une installation en résidence mobile :

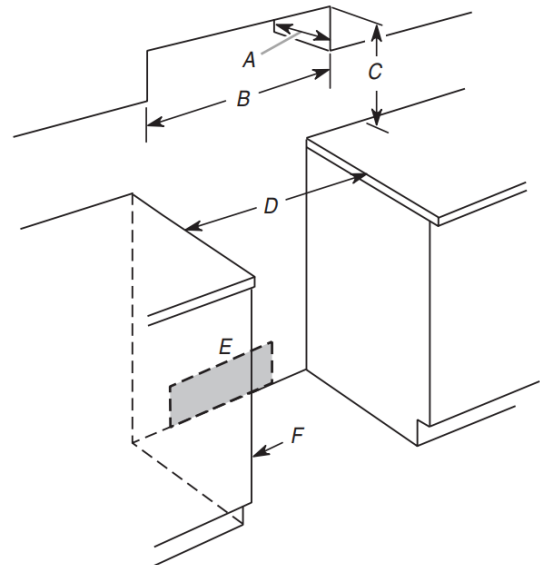
- Lorsque cette cuisinière est installée dans une résidence mobile, elle doit être fixée selon les instructions contenues dans le présent document.
- Pour une installation en résidence mobile, un câble ou cordon d'alimentation à quatre conducteurs doit être utilisé. Le câblage de l'appareil devra être révisé. Voir la section « Raccordement électrique – États-Unis seulement ».

Dimensions du placard

Les dimensions de l'espace d'installation entre les placards sont valides pour l'installation entre des placards de 25" (64 cm) de profondeur avec plan de travail de 24" (61 cm) de profondeur à hauteur de 36" (91,4 cm).

IMPORTANT: En cas d'installation d'une hotte ou d'un ensemble hotte/micro-ondes au-dessus de la cuisinière, suivre les instructions fournies avec la hotte concernant les dimensions de dégagement à respecter au-dessus de la surface de la table de cuisson

Une cuisinière autoportante peut être installée sans aucun dégagement à proximité de parois combustibles.



- A. Profondeur max. du placard supérieur 13" (33 cm)
- B. Largeur de l'ouverture 30" (76,2 cm) min.
- C. Pour la distance libre minimale vers la partie supérieure de la table de cuisson, voir la REMARQUE*.
- D. Largeur de l'ouverture 30" (76,2 cm) min.
- E. Prise de courant - 8" (20,3 cm) à 22" (55,9 cm) depuis l'un des deux placards, 7" (17,8 cm) max. à partir du plancher
- F. Ni la porte, ni les charnières du placard ne doivent dépasser à l'intérieur de l'ouverture

***REMARQUE :** Distance de séparation de 24" (61 cm) ou plus lorsque le fond d'un placard de bois ou de métal est protégé par une planche ignifugée d'au moins 1/4" (0,64 cm) recouverte d'une feuille métallique d'épaisseur égale ou supérieure à : acier calibre 28 MSG, acier inoxydable 0,015" (0,4 mm), aluminium 0,024" (0,6 mm), ou cuivre 0,020" (0,5 mm).

Distance de séparation de 30" (76,2 cm) ou plus entre le dessus de la table de cuisson et le fond d'un placard de bois ou de métal non protégé.

Spécifications électriques – É.-U. seulement

Si l'on utilise un conducteur distinct de liaison à la terre lorsque les codes le permettent, il est recommandé qu'un électricien qualifié vérifie que la liaison à la terre et le calibre des conducteurs sont conformes aux codes locaux.

Ne pas utiliser de câble de rallonge.

S'assurer que le raccordement électrique est adéquat et conforme au code national de l'électricité, ANSI/NFPA 70 – dernière édition, et à tous les codes et règlements locaux en vigueur.

Pour obtenir un exemplaire des normes des codes ci-dessus, contacter :

National Fire Protection Association
1 Batterymarch Park
Quincy, MA 02169-7471

AVERTISSEMENT: Un raccordement inapproprié du conducteur de liaison à la terre peut causer un risque de choc électrique. Vérifier avec un électricien ou un technicien de dépannage qualifié en cas de doute quant à la qualité de la liaison à la terre de l'appareil. Ne pas modifier la prise du cordon d'alimentation. Si elle ne correspond pas à la prise de sortie, faire installer une prise appropriée par un électricien qualifié.

Raccordement électrique

Pour installer la cuisinière de façon appropriée, il faut établir le type de raccords électriques que l'on utilisera et suivre les instructions de ce document.

- La cuisinière doit être alimentée par une source d'électricité et une tension appropriées, comme spécifiée sur la plaque signalétique. La plaque signalétique est située sur le châssis derrière un coin supérieur de la porte ou d'un côté du tiroir.



A. La plaque signalétique est située sur le châssis derrière un coin supérieur de la porte ou d'un côté du tiroir.

- La borne du neutre de cette cuisinière est raccordée à la caisse. Utiliser un cordon d'alimentation électrique (raccord flexible) à 3 fils homologué UL, pour 40 ou 50 A (consulter le tableau de la puissance nominale de la cuisinière). Si les codes locaux interdisent le raccordement de la terre au neutre, utiliser un cordon d'alimentation électrique à 4 fils de 250 V, 40 ou 50 A en nominal et dont l'utilisation avec les cuisinières a été testée.

| Puissance nominale de la cuisinière* | Intensité nominale spécifiée du cordon d'alimentation et de la protection du circuit | | |
|--------------------------------------|--|----------------|------------|
| | 120/240 V | 120/208 V | Amps |
| | 8,8 à 16,5 kW | 7,8 à 12,5 kW | 40 ou 50** |
| | 16,6 à 22,5 kW | 12,6 à 18,5 kW | 50 |

La charge NEC calculée est inférieure à la charge totale connectée indiquée sur la plaque signalétique.

** En cas de raccordement à un circuit de 50 A, utiliser un cordon de 50 A nominaux avec son ensemble. Pour les ensembles avec cordon de 50 A nominaux, utiliser des ensembles conçus pour être utilisés avec une ouverture de raccord d'un diamètre nominal de 1 3/8" (34,9 cm).

- L'emploi d'un disjoncteur est recommandé.
- La cuisinière peut être raccordée directement au disjoncteur (ou coupe-circuit avec fusible) par l'intermédiaire de câble à conducteurs de cuivre ou aluminium, à blindage métallique flexible ou à gaine non métallique. Voir la section "Raccordement électrique – É.-U. seulement".
- Prévoir 2 à 3 pi (61,0 cm à 91,4 cm) de mou pour le câble afin de pouvoir déplacer la cuisinière en cas de réparation.
- Un raccord de conduit homologué UL doit être fourni à chaque extrémité du câble d'alimentation électrique (à la cuisinière et à la boîte de connexion).
- Le calibre des câbles et des raccordements doit être conforme à la puissance nominale de la cuisinière.
- La fiche technique est située à l'arrière de la cuisinière, dans un sachet plastique transparent.

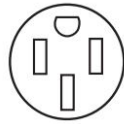
En cas de raccordement à un circuit à 4 conducteurs :

Cette cuisinière est fabriquée avec la mise à la terre connectée au neutre par une liaison. Le circuit de mise à la terre doit être modifié pour que le conducteur de mise à la terre vert du cordon d'alimentation électrique à 4 conducteurs soit raccordé à la caisse. Voir la section "Raccordement électrique – É.-U. seulement".

Il est interdit de relier l'appareil à la terre par l'intermédiaire du conducteur neutre dans les cas suivants : nouvelle installation sur circuit de dérivation (code NEC 1996), résidence mobile, véhicule récréatif et juridictions où le code local interdit la liaison à la terre par l'intermédiaire du conducteur neutre.

En cas d'utilisation d'une prise murale à 4 conducteurs de type NEMA 14-50R, un cordon d'alimentation électrique homologué UL à 4 conducteurs de 250 V et 40 ou 50 A doit être utilisé pour la cuisinière. Ce cordon contient 4 conducteurs en cuivre équipés de bornes circulaires ou en fourche à extrémités relevées et se termine par une prise mâle de type NEMA Type 14-50P à l'extrémité d'alimentation.

Le quatrième conducteur (mise à la terre) doit être identifié par une gaine verte, ou vert et jaune, et le conducteur neutre doit être identifié par une gaine blanche. On doit utiliser un cordon de type SRD ou SRDT avec un serre-câbles homologué UL d'au moins 4 pi (1,22 m) de long.



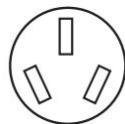
Prise murale à 4 conducteurs (14-50R)

Les conducteurs du cordon d'alimentation à 4 fils de cuivre doivent présenter au minimum les caractéristiques suivantes :

- Circuit de 40 A
- 2 conducteurs n° 8
- 1 conducteur neutre n° 10 (blanc)
- 1 conducteur de mise à la terre n° 8 (vert)

En cas de raccordement à un circuit à 3 conducteurs:

Il est possible que les codes locaux permettent l'utilisation d'un cordon d'alimentation (en spirale) pour cuisinière homologué UL, à 3 conducteurs, de 250 volts, 40 ou 50 ampères. Ce cordon contient 3 conducteurs en cuivre équipés de bornes circulaires ou en fourche à extrémités relevées et se termine par une prise mâle de type NEMA Type 10-50P à l'extrémité d'alimentation. Des connecteurs du côté de l'appareil doivent être prévus au point d'entrée du cordon d'alimentation. Cela nécessite une prise murale à 3 conducteurs de type NEMA 10-50R.



Prise murale à 3 conducteurs (10-50R)

Spécifications électriques – Canada seulement

⚠ AVERTISSEMENT

Risque de décharge électrique

Appareil relié à la terre.

Le non-respect de ces instructions peut causer un décès, un incendie ou une décharge électrique.

Si l'on utilise un conducteur distinct de liaison à la terre lorsque les codes le permettent, il est recommandé qu'un électricien qualifié vérifie que la liaison à la terre est adéquate et la section des fils conforme aux codes locaux.

Vérifier que le raccordement à la source d'électricité et le calibre des conducteurs sont conformes aux prescriptions de la plus récente édition de la norme CSA C22.1, partie 1 – Code canadien de l'électricité, et de tout code ou règlement local en vigueur.

Pour obtenir un exemplaire des normes des codes ci-dessus, contacter :

Canadian Standards Association
178 Rexdale Blvd.
Toronto, ON M9W 1R3 CANADA

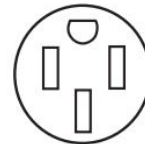
- En cas de doute quant à la qualité de la liaison à la terre de la cuisinière, consulter un électricien qualifié.

| Puissance nominale de la cuisinière* | Intensité nominale spécifiée du cordon d'alimentation et de la protection du circuit | |
|--------------------------------------|--|------------|
| 120/240 V | 120/208 V | A |
| 8,8 - 16,5 kW | 7,8 - 12,5 kW | 40 ou 50** |
| 16,6 - 22,5 kW | 12,6 - 18,5 kW | 50 |

*La charge NEC calculée est inférieure à la charge totale connectée indiquée sur la plaque signalétique.

**En cas de raccordement à un circuit de 50 A, utiliser un cordon de 50 A nominaux avec son ensemble. Pour les ensembles avec cordon de 50 A nominaux, utiliser des ensembles conçus pour être utilisés avec une ouverture de raccord d'un diamètre nominal de 1 3/8" (3,5 cm).

- On recommande d'utiliser un fusible ou un disjoncteur temporisé.
- Cette cuisinière est équipée d'un cordon électrique homologué par la CSA International à brancher dans une prise murale standard 14-50R. Veiller à ce que la prise murale se trouve à proximité de l'emplacement définitif de la cuisinière.



- Ne pas utiliser de rallonge.

INSTALLATION

Déballage de la cuisinière

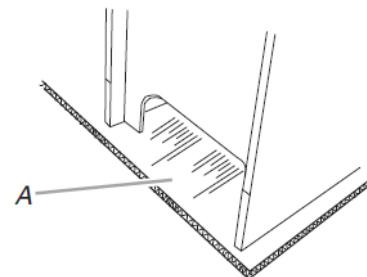
⚠ AVERTISSEMENT

Risque du poids excessif

Utiliser deux personnes ou plus pour déplacer et installer ou désinstaller l'appareil.

Le non-respect de cette instruction peut causer une blessure au dos ou d'autre blessure.

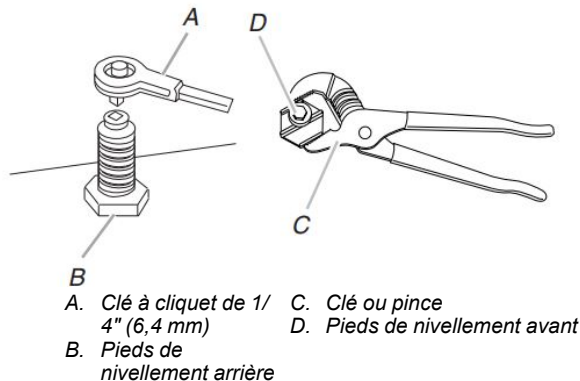
1. Ôter les matériaux d'emballage, le ruban adhésif et la pellicule protectrice de la cuisinière.
2. Retirer les grilles de four et le sachet de pièces de l'intérieur du four.
3. Ne pas enlever la base d'expédition pour l'instant.



A. Base d'expédition

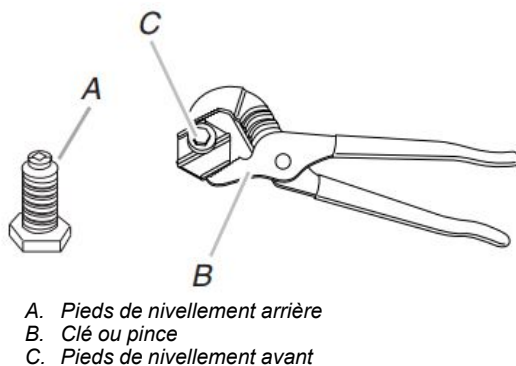
4. Sur les cuisinières avec tiroir de remisage :

Retirer le tiroir de remisage. Voir la section "Enlever et remettre le tiroir". Utiliser une clé à cliquet de 1/4" (6,4 mm) pour abaisser les pieds de nivellement arrière d'un demi-tour. Utiliser une clé ou une pince pour abaisser les pieds de nivellement avant d'un demi-tour.



Sur les cuisinières avec tiroir-réchaud ou tiroir de remisage de qualité supérieure :

Sur les cuisinières avec tiroir-réchaud ou tiroir de remisage de qualité supérieure, on ne peut pas accéder aux pieds arrière en retirant le tiroir-réchaud ou le tiroir de remisage de qualité supérieure. Les pieds arrière doivent être réglés depuis l'extérieur de la cuisinière. Utiliser une clé ou une pince pour abaisser les pieds de nivellement avant et arrière d'un demi-tour.



Installation de la bride antibasculement

⚠ AVERTISSEMENT



Risque de basculement

Une personne, enfant ou adulte, peut faire basculer la cuisinière et subir des blessures mortelles.

Fixer la bride antibasculement au plancher ou au mur, conformément aux instructions d'installation.

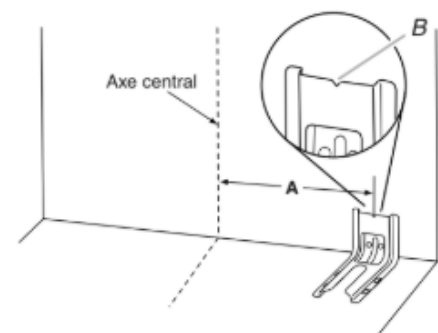
Faire glisser de nouveau la cuisinière de façon à ce que le pied arrière de la cuisinière se trouve dans la fente de la bride antibasculement.

Réengager la bride antibasculement si la cuisinière a été déplacée.

Ne pas faire fonctionner la cuisinière si la bride antibasculement n'est pas installée et engagée.

Le non-respect de ces instructions peut causer un décès ou des brûlures graves aux enfants et aux adultes.

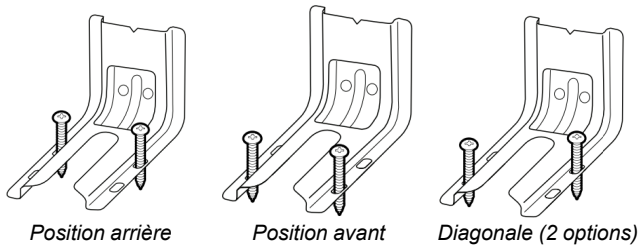
1. Ôter la bride antibasculement fixée par du ruban adhésif à l'intérieur du tiroir de remisage ou du tiroir-réchaud.
2. Déterminer la méthode de montage à utiliser : au plancher ou au mur.
Pour un plancher en pierre ou en briquetage, on peut utiliser la méthode de montage au mur. En cas d'installation de la cuisinière dans une résidence mobile, il est impératif de fixer la cuisinière au plancher.
3. Déterminer et marquer l'axe central de l'espace à découper. Le montage peut être effectué du côté gauche ou droit de la découpe. Positionner la bride de montage contre le mur dans l'ouverture, de telle sorte que l'encoche en V de la bride se trouve à 12⁹/₁₆" (31,9 cm) de l'axe central, tel qu'illustré.



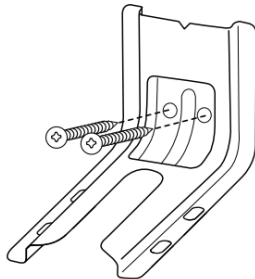
- A. 12⁹/₁₆" (31,9 cm)
B. Encoche en V de la bride

4. Percer deux trous de 1/8" (3 mm) qui correspondent aux trous de la bride selon la méthode de montage déterminée. Voir les illustrations suivantes.

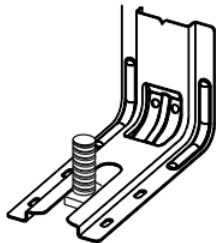
Montage au plancher



Montage mural



5. À l'aide d'un tournevis à tête cruciforme et des 2 vis no 12 x 1⁵/₈" (4,1 cm) fournies, visser la bride antibasculement au mur ou au plancher.
6. Rapprocher la cuisinière le plus près possible de l'ouverture afin de faciliter les raccordements électriques définitifs. Retirer la plaque de transport, le carton ou le panneau de fibres dur de sous la cuisinière.
7. Placer la cuisinière dans son emplacement définitif en s'assurant que le pied de nivellement arrière glisse dans la bride antibasculement.



8. Déplacer la cuisinière vers l'avant sur sa plaque de transport, son carton ou son panneau de fibres dur pour poursuivre l'installation de la cuisinière à l'aide des instructions d'installation suivantes.

Réglage des pieds de nivellement

1. Si un ajustement de la hauteur de la cuisinière est nécessaire, utiliser une clé ou une pince pour desserrer les 4 pieds de nivellement.

Cette opération peut être effectuée alors que la cuisinière repose sur sa partie postérieure ou sur 2 pieds après avoir été relevée en position verticale.

REMARQUE: Pour placer à nouveau la cuisinière en position verticale, placer un carton ou un panneau de fibres dur devant la cuisinière. À 2 personnes au moins, redresser la cuisinière et la placer sur le carton ou le panneau de fibres dur.

⚠ AVERTISSEMENT



Risque de basculement

Une personne, enfant ou adulte, peut faire basculer la cuisinière et subir des blessures mortelles.

Fixer la bride antibasculement au plancher ou au mur, conformément aux instructions d'installation.

Faire glisser de nouveau la cuisinière de façon à ce que le pied arrière de la cuisinière se trouve dans la fente de la bride antibasculement.

Réengager la bride antibasculement si la cuisinière a été déplacée.

Ne pas faire fonctionner la cuisinière si la bride antibasculement n'est pas installée et engagée.

Le non-respect de ces instructions peut causer un décès ou des brûlures graves aux enfants et aux adultes.

2. Mesurer la distance entre le haut du plan de travail et le plancher.
3. Mesurer la distance entre le haut de la table de cuisson et le bas des pieds de nivellement. Cette distance doit être la même. Dans le cas contraire, régler les pieds de nivellement à la hauteur correcte. Les pieds de nivellement peuvent être desserrés pour ajouter une hauteur maximale de 1" (2,5 cm). Une longueur minimale de 3/16" (5 mm) est nécessaire pour engager la bride antibasculement.

REMARQUE: Si un ajustement de la hauteur est effectué alors que la cuisinière est debout, incliner la cuisinière vers l'arrière pour ajuster les pieds avant, puis incliner la cuisinière vers l'avant pour ajuster les pieds arrière.

4. Lorsque la cuisinière est à la hauteur souhaitée, vérifier que l'espace sous la cuisinière est suffisant pour loger la bride antibasculement. Avant de faire glisser la cuisinière à son emplacement final, vérifier qu'il sera possible de faire glisser la bride antibasculement sous la cuisinière et sur le pied de nivellement arrière avant l'installation de la bride antibasculement.

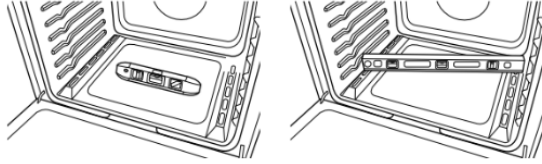
REMARQUE: En cas d'utilisation d'un jeu de garnitures, le dessus de la table de cuisson doit être plus haut que le plan de travail. Voir les instructions d'installation fournies avec le jeu de garnitures pour la hauteur correcte.

Réglage de l'aplomb de la cuisinière

Déterminer si la cuisinière est munie de la technologie AquaLift® ou Steam Clean (nettoyage à la vapeur) en consultant la section "Entretien de la cuisinière" des instructions d'utilisation.

Pour les cuisinières équipées de la technologie AquaLift® ou Steam Clean (nettoyage à la vapeur) :

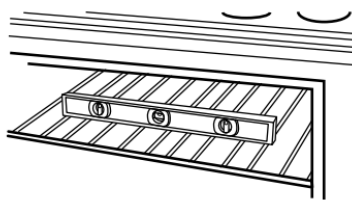
1. En fonction de la taille du niveau, le placer sur le bas du four comme indiqué dans l'une des deux figures ci-dessous. Contrôler l'aplomb transversal et dans le sens avant/arrière.



2. Si la cuisinière n'est pas d'aplomb, la tirer de nouveau pour que le pied de nivellement arrière se dégage de la bride antibasculement.
3. Suivre les instructions fournies pour le type 1 ou 2, en fonction du type de tiroir fourni avec la cuisinière.

Pour les cuisinières qui ne possèdent pas la technologie AquaLift® ou Steam Clean (nettoyage à la vapeur) :

1. Placer une grille plate dans le four.
2. Placer un niveau sur la grille et contrôler l'aplomb de la cuisinière, d'abord transversalement, puis dans le sens avant/arrière.



3. Si la cuisinière n'est pas d'aplomb, la tirer de nouveau pour que le pied de nivellement arrière se dégage de la bride antibasculement.
4. Suivre les instructions fournies pour le type 1 ou 2, en fonction du type de tiroir fourni avec la cuisinière.

Style 1 : Cuisinières avec tiroir de remisage :

Utiliser une clé à cliquet de 1/4" (6,4 mm), une clé ou une pince pour régler les pieds de nivellement vers le haut ou vers le bas jusqu'à ce que la cuisinière soit d'aplomb. Repousser la cuisinière pour la remettre en place. Vérifier que le pied de nivellement arrière est engagé dans la bride antibasculement.

Style 2 : Cuisinières avec tiroir-réchaud ou tiroir de remisage de qualité supérieure :

Utiliser une clé ou une pince pour régler les pieds de nivellement vers le haut ou vers le bas jusqu'à ce que la cuisinière soit d'aplomb. Repousser la cuisinière pour la remettre en place. Vérifier que le pied de nivellement arrière est engagé dans la bride antibasculement.

REMARQUE: La cuisinière doit être d'aplomb pour que les résultats de cuisson au four soient satisfaisants et les résultats de nettoyage idéaux avec les fonctions de technologie AquaLift® et Steam Clean (nettoyage à la vapeur).

Raccordement électrique – É.-U. seulement

Cordon d'alimentation

⚠ AVERTISSEMENT



Risque de décharge électrique

Déconnecter la source de courant électrique avant l'entretien.

Utiliser un cordon d'alimentation électrique neuf de 40 ampères.

Brancher sur une prise reliée à la terre.

Le non-respect de ces instructions peut causer un décès, un incendie ou une décharge électrique.

Raccordement par câblage direct

⚠ AVERTISSEMENT



Risque de décharge électrique

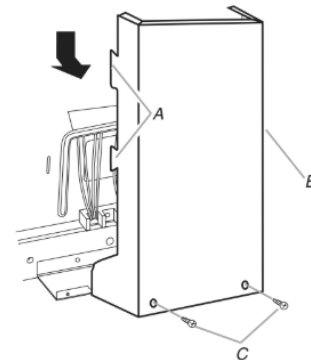
Déconnecter la source de courant électrique avant l'entretien.

Utiliser des conducteurs en cuivre de calibre 8 ou en aluminium de calibre 6.

Relier la cuisinière à la terre.

Le non-respect de ces instructions peut causer un décès, un incendie ou une décharge électrique.

1. Déconnecter la source de courant électrique.
2. Ôter les vis du couvercle du bornier situées à l'arrière de la cuisinière. Tirer le couvercle vers le bas et vers soi pour enlever le couvercle de la cuisinière.

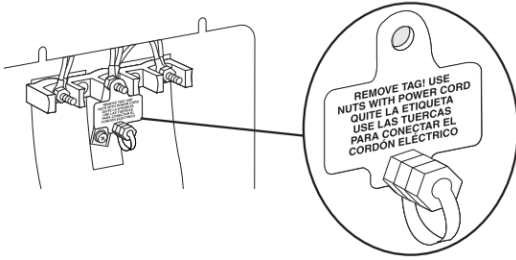


A. Deux onglets de montage de chaque côté

B. Couvercle du bornier

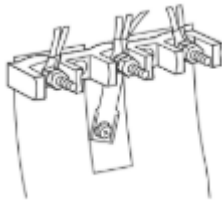
C. Vis à tête hexagonale

3. Selon le modèle, retirer du plot central du boîtier de raccordement l'étiquette plastique qui maintient trois écrous hexagonaux 10-32.



OU

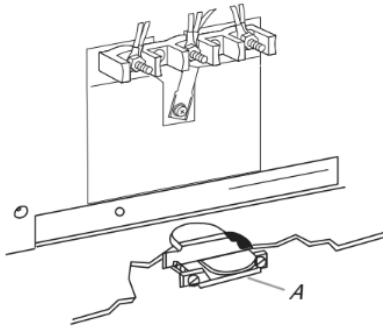
Retirer l'écrou hexagonal 10-32 de chacun des trois boîtiers de raccordement, puis le mettre de côté.



4. Ajouter un serre-câbles

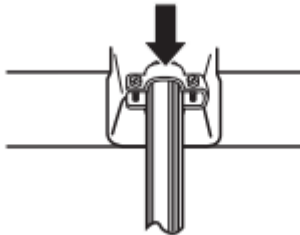
Style 1 : Serre-câbles du câble d'alimentation

- Retirer l'opercule défonçable pour le cordon d'alimentation.
- Insérer un serre-câbles homologué UL dans l'ouverture.



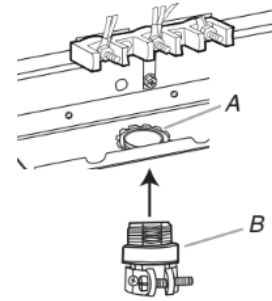
A. Serre-câbles (homologation UL)

- Serrer la vis du serre-câbles autour du cordon d'alimentation.



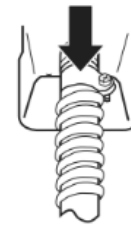
Style 2 : Serre-câbles pour raccordement direct

- Retirer l'opercule défonçable si nécessaire pour le raccordement du conduit flexible.
- Assembler un connecteur de conduit homologué UL dans l'ouverture.



A. Écrou de retenue amovible
B. Conduit

- Serrer la vis du serre-câbles autour du conduit flexible.

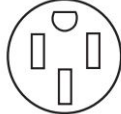
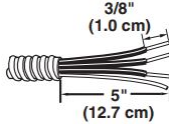



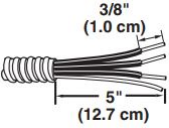
5. Terminer l'installation selon les instructions adaptées au type de raccordement électrique :

4 conducteurs (recommandé)

3 conducteurs (si un circuit à 4 conducteurs n'est pas disponible)

Options de raccordement électrique

| Si le domicile comporte : | Point de distribution : | Voir la section suivante : |
|--|---|---|
| Prise murale à 4 fils (type NEMA 14-50R) | Cordon d'alimentation homologué UL, 250 V minimum, 40 A pour cuisinière | Connexion à 4 conducteurs : cordon d'alimentation |
|  | | |
| Direct – 4 fils | Un boîtier de disjoncteurs ou un sectionneur à fusible | Connexion à 4 conducteurs : Raccordement par câblage direct |
|  | | |

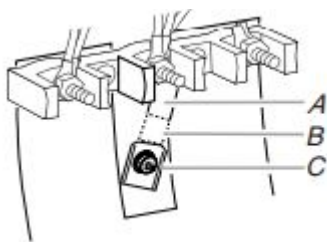
| Si le domicile comporte : | Point de distribution : | Voir la section suivante : |
|---|---|---|
| Prise murale à 3 fils (type NEMA 10-50R)  | Cordon d'alimentation homologué UL, 250 V minimum, 40 A pour cuisinière | Connexion à 3 conducteurs : cordon d'alimentation |
| Direct – 3 fils  | Un boîtier de disjoncteurs ou un sectionneur à fusible | Connexion à 3 conducteurs : Raccordement par câblage direct |

Connexion à 4 conducteurs : Cordon d'alimentation

Utiliser cette méthode dans les cas suivants :

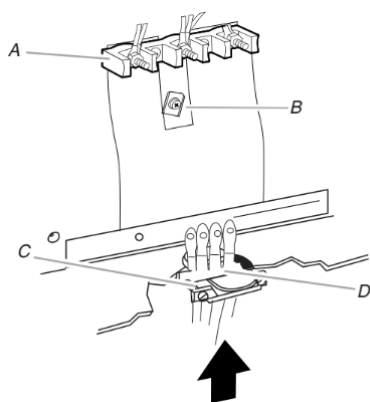
- Nouvelles installations sur circuit de dérivation (code NEC 1996)
- Résidences mobiles
- Véhicules récréatifs
- Zone où le code local interdit la mise à la terre par l'intermédiaire du neutre

1. Une partie de la barrette métallique de liaison à la terre doit être coupée et retirée.



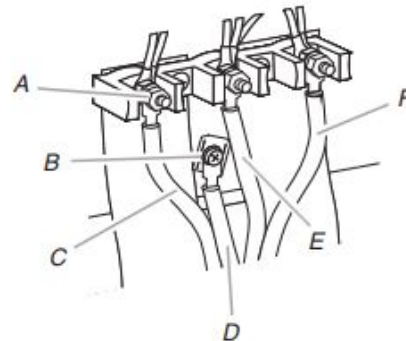
A. Barrette de liaison à la terre métallique
B. Partie à éliminer
C. Vis de liaison à la terre

2. À l'aide d'un tournevis cruciforme, retirer la vis de liaison à la terre à l'arrière de la cuisinière. Conserver la vis de liaison à la terre et l'extrémité de la liaison à la terre sous la vis.
3. Passer le cordon d'alimentation par le serre-câbles de la plaque pour cordon/conduit en bas de la cuisinière. Laisser suffisamment de mou pour raccorder facilement le câblage au boîtier de raccordement.



A. Bornier
B. Vis de liaison à la terre
C. Serre-câbles (homologation UL)
D. Câblage du cordon d'alimentation

4. À l'aide d'un tournevis cruciforme, connecter le fil de mise à la terre vert du cordon d'alimentation à la cuisinière en serrant la vis de liaison à la terre et à la section de liaison à la terre. Le fil de mise à la terre doit être raccordé en premier.
5. À l'aide d'un tourne-écrou de 3/8" (9,5 mm), connecter le conducteur neutre (blanc) au plot central du bornier au moyen d'un des écrous hexagonaux n° 10-32.



A. Écrou hexagonal 10-32
B. Vis de liaison à la terre
C. Ligne 2 (rouge)
D. Fil de mise à la terre vert
E. Conducteur neutre (centre)
F. Ligne 1 (noir)

6. Connectez les conducteurs de la ligne 2 (rouge) et de la ligne 1 (noir) aux bornes externes du bornier avec des écrous hexagonaux n° 10-32.
7. Bien serrer les écrous hexagonaux.

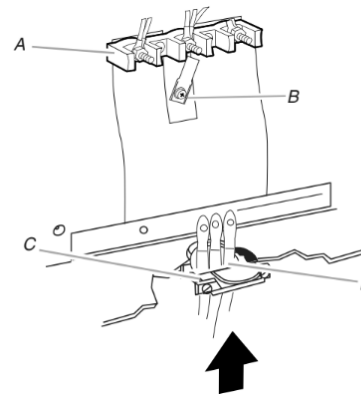
REMARQUE: Lors du remplacement du cordon d'alimentation, utiliser seulement un cordon d'alimentation de calibre 250 V minimum, 40 ou 50 A, conçu pour une ouverture de raccordement de diamètre nominal 1 3/8" (3,5 cm), avec cosses circulaires et conçu pour être utilisé avec des cuisinières.

8. Serrer les vis des serre-câbles.
9. Réinstaller le couvercle du bornier.

Connexion à 3 conducteurs : Cordon d'alimentation

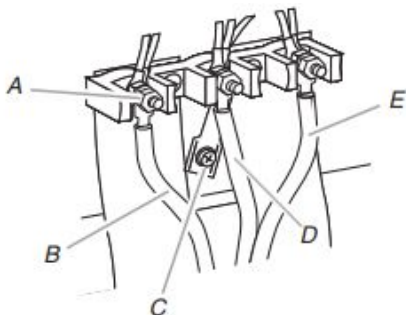
Utiliser cette méthode uniquement si les codes locaux autorisent la connexion du conducteur de mise à la terre du châssis au conducteur du neutre du cordon d'alimentation électrique.

1. Passer le cordon d'alimentation par le serre-câbles de la plaque pour cordon/conduit en bas de la cuisinière. Laisser suffisamment de mou pour raccorder facilement le câblage au boîtier de raccordement.



A. Bornier
B. Vis de liaison à la terre
C. Serre-câbles (homologation UL)
D. Câblage du cordon d'alimentation – grande ouverture

- À l'aide d'un tourne-écrou de 3/8" (9,5 mm), connecter le conducteur neutre (blanc) au plot central du bornier au moyen d'un des écrous hexagonaux n° 10-32..



- A. Écrou hexagonal 10-32
 B. Ligne 2 (rouge)
 C. Vis de liaison à la terre
 D. Conducteur du neutre (blanc)
 E. Ligne 1 (noir)

- Connectez les conducteurs de la ligne 2 (rouge) et de la ligne 1 (noir) aux bornes externes du bornier avec des écrous hexagonaux n° 10-32.

- Bien serrer les écrous hexagonaux.

REMARQUE: Lors du remplacement du cordon d'alimentation, utiliser seulement un cordon d'alimentation de calibre 250 V minimum, 40 ou 50 A, conçu pour une ouverture de raccordement de diamètre nominal 1³/₈" (3,5 cm), avec cosses circulaires et conçu pour être utilisé avec des cuisinières.

- Serrer les vis des serre-câbles.

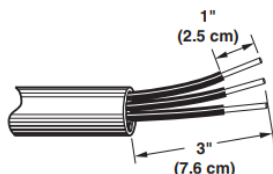
IMPORTANT: Vérifier le serrage des écrous hexagonaux.

- Réinstaller le couvercle du bornier.

Raccordement par câblage direct : Conducteur de cuivre ou d'aluminium

Cette cuisinière peut être raccordée directement au coupe-circuit avec fusible ou au disjoncteur. En fonction de l'alimentation électrique, réaliser le raccordement nécessaire à 3 ou 4 conducteurs.

- Couper la gaine extérieure sur une longueur de 3" (7,6 cm) pour exposer les conducteurs. Dénuder chaque fil de sa gaine isolante sur une longueur de 1" (2,5 cm).



- Laisser suffisamment de mou pour raccorder facilement les conducteurs au bornier.

- Terminer le raccordement électrique en fonction du type d'alimentation électrique (raccordement à 3 ou 4 conducteurs).

4 conducteurs (recommandé)

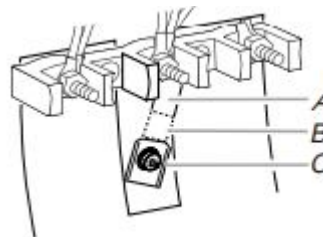
3 conducteurs (si un circuit à 4 conducteurs n'est pas disponible)

Connexion à 4 conducteurs : Raccordement par câblage direct

Utiliser cette méthode dans les cas suivants :

- Nouvelles installations sur circuit de dérivation (code NEC 1996)
- Résidences mobiles
- Véhicules récréatifs
- Zone où le code local interdit la mise à la terre par l'intermédiaire du neutre

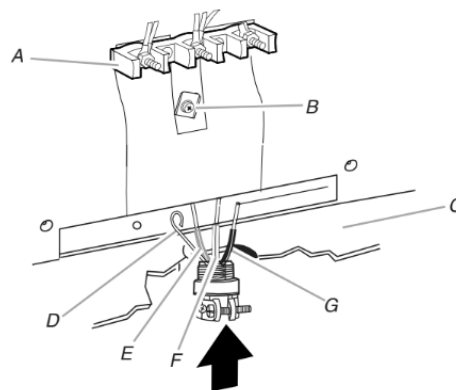
- Une partie de la barrette métallique de liaison à la terre doit être coupée et retirée.



- A. Barrette de liaison à la terre métallique
 B. Partie à éliminer
 C. Vis de liaison à la terre

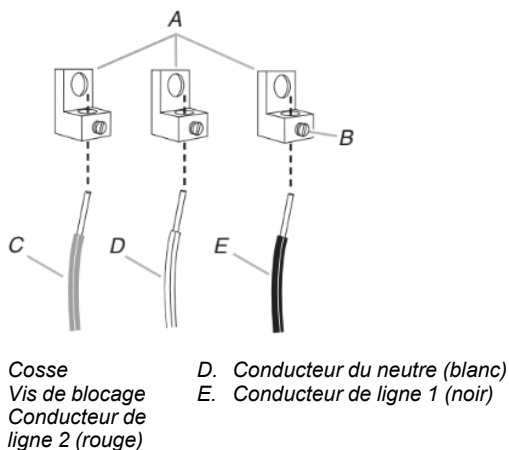
- À l'aide d'un tournevis cruciforme, retirer la vis de liaison à la terre à l'arrière de la cuisinière. Conserver la vis de liaison à la terre et l'extrémité de la liaison à la terre sous la vis.

- Tirer les conducteurs à travers le serre-câbles au pied de la cuisinière. Laisser suffisamment de mou pour raccorder facilement le câblage au boîtier de raccordement.



- A. Bornier
 B. Vis de liaison à la terre
 C. Plaque de cordon/conduit
 D. Fil de mise à la terre nu (vert)
 E. Conducteur de ligne 2 (rouge)
 F. Conducteur du neutre (blanc)
 G. Conducteur de ligne 1 (noir)

- Connecter les cosses aux conducteurs des lignes 1 (noir), neutre (blanc) et 2 (rouge). Desserrer (ne pas enlever) la vis de réglage sur le devant de la cosse et insérer l'extrémité du conducteur nu jusqu'au fond des cosses. Bien serrer la vis de réglage au couple, comme indiqué dans le graphique suivant des spécifications de couple de conducteurs nus.

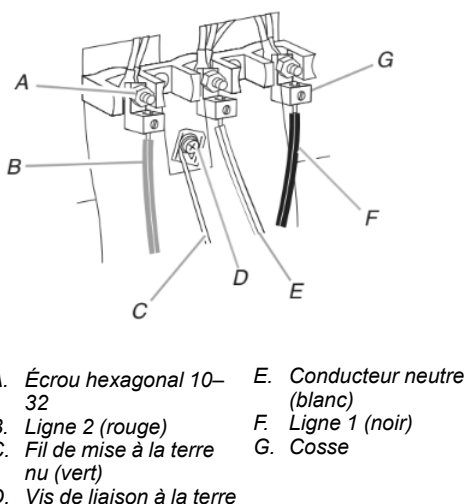


Spécifications de couple pour les fils nus

Serrage des cosses au bornier : 20 lb.po (2,3 N.m)

| Calibre AWG | Couple |
|-------------------------------------|--------------------|
| Conducteur de cuivre de calibre 8 | 25 lb.po (2,8 N.m) |
| Conducteur d'aluminium de calibre 6 | 35 lb.po (4,0 N.m) |

- Utilisez un tournevis cruciforme ou à tête hexagonale pour connecter le fil de mise à la terre nu (vert) à la cuisinière avec la vis de liaison à la terre et à la section de liaison à la terre. Le fil de mise à la terre doit être raccordé en premier et ne doit être en contact avec aucune autre borne.
- À l'aide d'un tourne-écrou de 3/8 po, connecter le conducteur neutre (blanc) au plot central du bornier au moyen d'un des écrous hexagonaux n° 10-32.

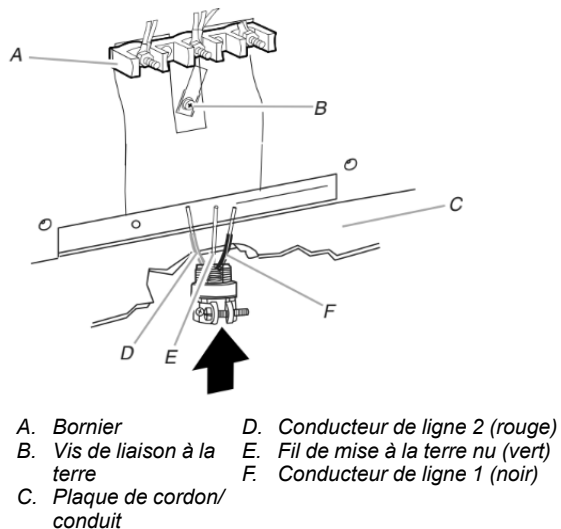


- Connectez les conducteurs de la ligne 2 (rouge) et de la ligne 1 (noir) aux bornes externes du bornier avec des écrous hexagonaux n° 10-32.
- Bien serrer les écrous hexagonaux.
- Réinstaller le couvercle du bornier.

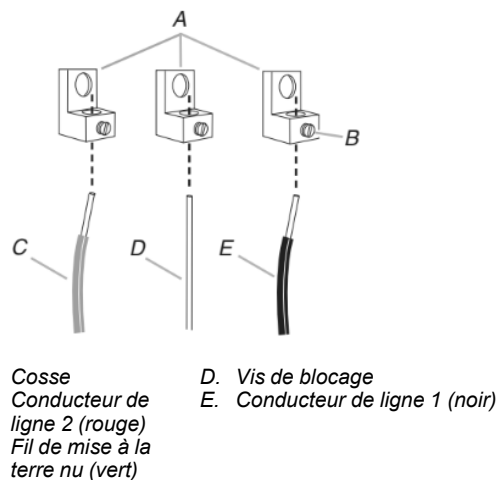
Connexion à 3 conducteurs : Raccordement par câblage direct

Utiliser cette méthode uniquement si les codes locaux autorisent la connexion du conducteur de mise à la terre au conducteur du neutre de l'alimentation.

- Tirer le câblage à travers le conduit sur la plaque de cordon/conduit en bas de la cuisinière. Laisser suffisamment de mou pour raccorder facilement le câblage au boîtier de raccordement.



- Fixer les cosses aux conducteurs de la ligne 2 (rouge), de mise à la terre nu (vert) et de la ligne 1 (noir). Desserrer (ne pas enlever) la vis de réglage sur le devant de la cosse et insérer l'extrémité du conducteur nu jusqu'au fond des cosses. Bien serrer la vis de réglage au couple, comme indiqué dans le graphique suivant des spécifications de couple de conducteurs nus.

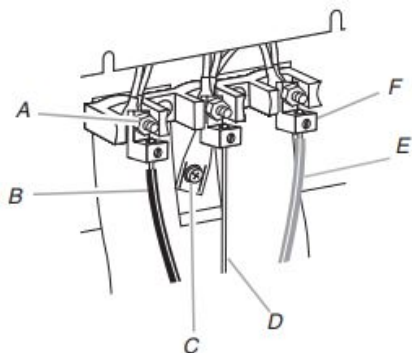


Spécifications de couple pour les fils nus

Serrage des cosses au bornier : 20 lb. po (2,3 N.m)

| Calibre AWG | Couple |
|-------------------------------------|--------------------|
| Conducteur de cuivre de calibre 8 | 25 lb.po (2,8 N.m) |
| Conducteur d'aluminium de calibre 6 | 35 lb.po (4,0 N.m) |

- À l'aide d'un tourne-écrou de 3/8", connecter le conducteur neutre nu (vert) au plot central du bornier au moyen d'un des écrous hexagonaux n° 10-32.



- | | |
|------------------------------|-------------------------------------|
| A. Écrou hexagonal 10-32 | D. Fil de mise à la terre nu (vert) |
| B. Ligne 2 (rouge) | E. Ligne 1 (noir) |
| C. Vis de liaison à la terre | F. Cosse |

- Connectez les conducteurs de la ligne 2 (rouge) et de la ligne 1 (noir) aux bornes externes du bornier avec des écrous hexagonaux n° 10-32.
- Bien serrer les écrous hexagonaux.
- Réinstaller le couvercle du bornier.

Vérifier que la bride antibasculement est bien installée et engagée

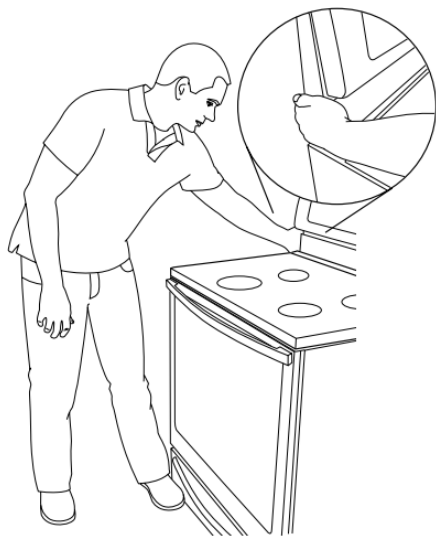
Sur les cuisinières avec tiroir de remisage :

- Retirer le tiroir de remisage. Voir la section "Enlever et remettre le tiroir".
- Au moyen d'une torche électrique, inspecter le dessous de la cuisinière.
- Vérifier visuellement que le pied arrière de la cuisinière se trouve dans la fente de la bride antibasculement.

Sur les cuisinières avec tiroir-réchaud ou tiroir de remisage de qualité supérieure :

- Placer l'extérieur du pied contre le bord inférieur avant du tiroir-réchaud ou tiroir de remisage de qualité supérieure, puis saisir le côté inférieur droit ou gauche du tableau de commande comme indiqué

REMARQUE: Si le comptoir comporte un dossier, il faudra peut-être saisir la cuisinière plus haut que ce qu'indique l'illustration.



- Tenter d'incliner la cuisinière vers l'avant avec précaution. S'il y a immédiatement une résistance, le pied de la cuisinière est engagé dans la bride antibasculement.
- Si l'arrière de la cuisinière se soulève de plus de 1/2" (1,3 cm) du plancher sans opposer de résistance, cesser d'incliner la cuisinière et la reposer doucement sur le plancher. Le pied de la cuisinière n'est pas engagé dans la bride antibasculement.

IMPORTANT: Si l'on entend un claquement ou un bruit d'éclatement lorsqu'on soulève la cuisinière, cela signifie peut-être que la cuisinière n'est pas bien engagée dans la bride. Vérifier qu'aucun obstacle n'empêche la cuisinière de glisser jusqu'au mur ou le pied de la cuisinière de glisser dans la bride. Vérifier que la bride est fermement maintenue en place par les vis de montage.

- Glisser la cuisinière vers l'avant et vérifier que la bride antibasculement est bien fixée au plancher ou au mur.
- Faire glisser de nouveau la cuisinière de façon à ce que son pied arrière se trouve dans la fente de la bride antibasculement.

IMPORTANT: Si l'arrière de la cuisinière se trouve à plus de 2" (5,1 cm) du mur de montage, cela signifie que le pied arrière de la cuisinière n'est peut-être pas engagé dans la bride. Glisser la cuisinière vers l'avant et déterminer si un objet fait obstruction entre la cuisinière et la paroi de montage. Pour assistance ou un entretien, consulter la section "Assistance ou service" du guide d'utilisation et d'entretien, la couverture ou la section "Garantie" des instructions d'utilisation pour obtenir les coordonnées des personnes à contacter.

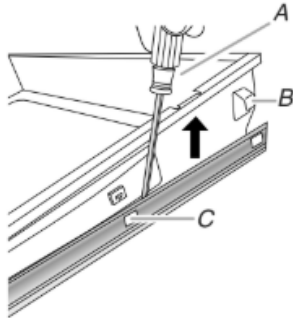
- Répéter les étapes 1 et 2 pour s'assurer que le pied de la cuisinière est bien engagé dans la bride antibasculement. Si l'arrière de la cuisinière se soulève de plus de 1/2" (1,3 cm) du plancher sans opposer de résistance, cela peut signifier que la bride antibasculement n'est pas correctement installée. Ne pas faire fonctionner la cuisinière si la bride antibasculement n'est pas installée et engagée. Consulter le Guide de démarrage rapide pour obtenir les coordonnées.

Tiroir-réchaud ou tiroir de remisage de qualité supérieure (sur certains modèles)

Enlever tous les objets du tiroir-réchaud ou tiroir de remisage de qualité supérieure et laisser la cuisinière refroidir complètement avant d'essayer d'enlever le tiroir.

Pour enlever :

1. Ouvrir complètement le tiroir-réchaud ou tiroir de remisage de qualité supérieure.
2. À l'aide d'un tournevis à lame plate, desserrer doucement le tiroir-réchaud ou le tiroir de remisage de qualité supérieure pour le dégager de l'encoche d'alignement de la glissière et soulever l'onglet d'alignement du tiroir pour le dégager de la glissière.

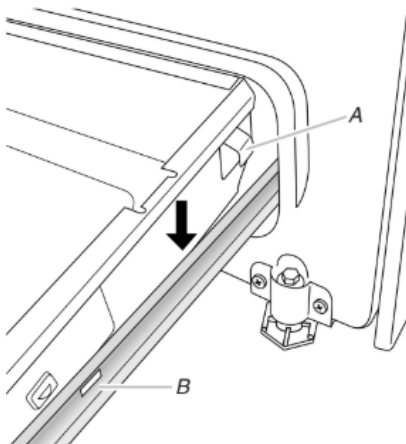


- A. Tournevis à lame plate
- B. Onglet d'alignement du tiroir
- C. Encoche de glissière de tiroir

3. Répéter l'étape 2 pour l'autre côté. Le tiroir-réchaud ou le tiroir de remisage de qualité supérieure n'est plus fixé aux glissières de tiroir. Avec les deux mains, saisir le tiroir-réchaud ou le tiroir de remisage de qualité supérieure pour le retirer complètement.

Pour replacer :

1. Aligner les encoches de l'avant du tiroir avec les encoches des glissières latérales à l'intérieur du tiroir (de chaque côté). Placer les onglets d'alignements arrière dans les glissières de tiroir (de chaque côté).



- A. Onglet d'alignement du tiroir
- B. Encoche de glissière de tiroir

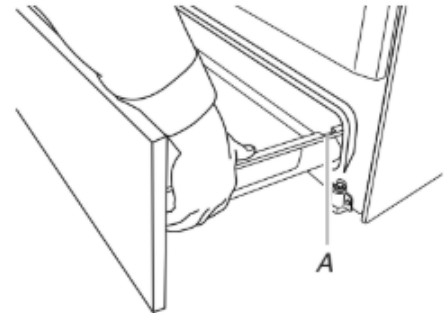
2. Pousser complètement le tiroir-réchaud ou tiroir de remisage de qualité supérieure.
3. Ouvrir et fermer délicatement le tiroir-réchaud ou tiroir de remisage de qualité supérieure pour s'assurer qu'il est bien engagé dans les glissières.

Tiroir de remisage (sur certains modèles)

Le tiroir de remisage peut être enlevé. Avant de l'enlever, s'assurer que le tiroir est froid et vide.

Pour enlever :

1. Tirer le tiroir de remisage en ligne droite vers l'arrière jusqu'à la butée du tiroir.

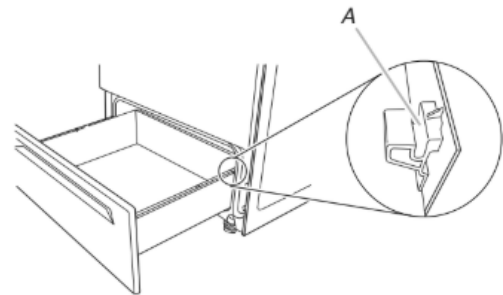


A. Butée de tiroir

2. Soulever l'avant du tiroir et retirer ce dernier.

Pour replacer :

1. Soulever l'avant du tiroir et placer l'arrière du tiroir dans la cuisinière de façon à ce que l'encoche de butée du tiroir se trouve derrière la glissière du tiroir.
2. Abaisser le tiroir de façon à ce que le bord de la glissière s'insère dans l'encoche de la glissière de tiroir.
3. Enfoncer lentement le tiroir dans la cuisinière.



A. Engager la glissière du tiroir.

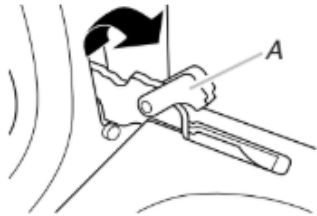
REMARQUE: Lorsque le tiroir est correctement installé, les glissières de la base s'engagent dans les glissières arrière du fond du tiroir et le tiroir lui-même ne s'incline pas lorsqu'on place des objets à l'intérieur.

Porte du four

Il n'est pas recommandé d'enlever la porte du four pour une utilisation normale. Toutefois, s'il est nécessaire de l'enlever, s'assurer que le four est éteint et froid. Ensuite, suivre les instructions ci-dessous. La porte du four est lourde.

Pour enlever :

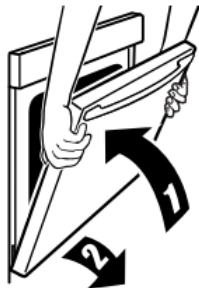
1. Ouvrir la porte du four complètement.
2. Pincer le loquet de charnière entre les deux doigts et le tirer vers l'avant. Répéter cette opération pour l'autre côté de la porte du four.



A. Loquet de charnière

3. Fermer la porte du four aussi loin que possible.
4. Soulever la porte du four en la retenant de chaque côté.

Continuer de maintenir la porte du four fermée et la dégager du châssis de la porte du four.



Pour replacer :

1. Insérer les deux bras de suspension dans la porte.



2. Ouvrir la porte du four.
On devrait entendre un déclic lors de la mise en place de la porte.
3. Remettre les leviers des charnières à la position verrouillée. Vérifier que la porte s'ouvre et se ferme facilement. Si ce n'est pas le cas, répéter la procédure pour enlever et reposer la porte.

Terminer l'installation

1. Vérifier que toutes les pièces sont maintenant installées. S'il reste une pièce, passer en revue les différentes étapes pour découvrir laquelle aurait été oubliée.
2. Vérifier la présence de tous les outils.
3. Éliminer/recycler tous les matériaux d'emballage.
4. Vérifier que la cuisinière est d'aplomb. Voir la section "Réglage de l'aplomb de la cuisinière".
5. Utiliser une solution d'eau tiède et de nettoyant ménager doux pour éliminer tout résidu de cire laissé par les matériaux d'emballage. Sécher soigneusement avec un chiffon doux. Pour plus d'informations, consulter la section "Entretien de la cuisinière" dans le Guide d'utilisation et d'entretien ou les instructions d'utilisation.
6. Lire le Guide de démarrage rapide et le Guide de commande en ligne.
7. Brancher le cordon électrique dans la prise de courant appropriée. Mettre l'appareil sous tension.
8. Mettre en marche les brûleurs de surface et le four. Consulter le Guide de démarrage rapide et le Guide de commande pour obtenir des instructions précises sur le fonctionnement de la cuisinière.

Si la cuisinière ne fonctionne pas, contrôler ce qui suit :

- Les fusibles du domicile sont intacts et serrés; le disjoncteur n'est pas déclenché.
- La cuisinière est branchée sur une prise électrique.
- La prise de courant est correctement alimentée.

IMPORTANT: Si le tableau de commande de la cuisinière affiche le code d'erreur F9 ou F9 E0, cela peut signifier que le câblage de la prise électrique est défectueux. Demander à un électricien qualifié d'inspecter le circuit d'alimentation électrique.

- Consulter la section « Dépannage » en ligne.

Après 5 minutes de fonctionnement de la cuisinière, vérifier la chaleur. Si la cuisinière est froide, l'éteindre et contacter un technicien qualifié.

Déplacement de la cuisinière

⚠ AVERTISSEMENT



Risque de basculement

Une personne, enfant ou adulte, peut faire basculer la cuisinière et subir des blessures mortelles.

Fixer la bride antibasculement au plancher ou au mur, conformément aux instructions d'installation.

Faire glisser de nouveau la cuisinière de façon à ce que le pied arrière de la cuisinière se trouve dans la fente de la bride antibasculement.

Réengager la bride antibasculement si la cuisinière a été déplacée.

Ne pas faire fonctionner la cuisinière si la bride antibasculement n'est pas installée et engagée.

Le non-respect de ces instructions peut causer un décès ou des brûlures graves aux enfants et aux adultes.

Lorsqu'on déplace la cuisinière, la faire glisser sur une planche de carton ou en matériau dur pour éviter d'endommager le revêtement du sol.

Si le déplacement de la cuisinière est nécessaire pour le nettoyage ou l'entretien :

Cuisinières alimentées par cordon d'alimentation :

1. Faire glisser la cuisinière vers l'avant.
2. Débrancher le cordon d'alimentation électrique.
3. Effectuer le nettoyage ou l'entretien.
4. Brancher le cordon d'alimentation électrique.
5. Vérifier que la bride antibasculement est bien installée et engagée. Reportez-vous à la section "Vérifier que la bride antibasculement est bien installée et engagée".
6. Vérifier que la cuisinière est d'aplomb.

Pour les cuisinières avec câblage direct :

⚠ AVERTISSEMENT



Risque de décharge électrique

Déconnecter la source de courant électrique avant l'entretien.

Replacer pièces et panneaux avant de faire la mise en marche

Le non-respect de ces instructions peut causer un décès ou un choc électrique.

1. Déconnecter la source de courant électrique.
2. Faire glisser la cuisinière vers l'avant.
3. Effectuer le nettoyage ou l'entretien.
4. Vérifier que la bride antibasculement est bien installée et engagée. Reportez-vous à la section "Vérifier que la bride antibasculement est bien installée et engagée".
5. Vérifier que la cuisinière est d'aplomb.
6. Rétablir l'alimentation électrique.

SEGURIDAD DE LA ESTUFA

Su seguridad y la seguridad de los demás son muy importantes.

Hemos incluido muchos mensajes importantes de seguridad en este manual y en su electrodoméstico. Lea y obedezca siempre todos los mensajes de seguridad.



Este es el símbolo de alerta de seguridad.

Este símbolo le llama la atención sobre peligros potenciales que pueden ocasionar la muerte o una lesión a usted y a los demás.

Todos los mensajes de seguridad irán a continuación del símbolo de advertencia de seguridad y de la palabra "PELIGRO" o "ADVERTENCIA". Estas palabras significan:

⚠ PELIGRO

Si no sigue las instrucciones de inmediato, puede morir o sufrir una lesión grave.

⚠ ADVERTENCIA

Si no sigue las instrucciones, puede morir o sufrir una lesión grave.

Todos los mensajes de seguridad le dirán el peligro potencial, le dirán cómo reducir las posibilidades de sufrir una lesión y lo que puede suceder si no se siguen las instrucciones.

La estufa no se volteará durante el uso normal. Sin embargo, la estufa se puede voltear si aplica mucha fuerza o peso sobre la puerta abierta sin tener el soporte antivuelco sujeto al piso adecuadamente.

⚠ ADVERTENCIA

Peligro de vuelco

Un niño o un adulto puede volcar accidentalmente la estufa y resultar muerto.

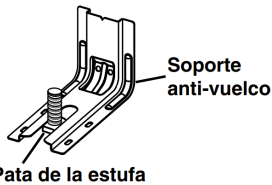
Instale el soporte anti-vuelco al piso o a la pared según las instrucciones de instalación.

Deslice la estufa hacia atrás de modo que la pata trasera quede debajo de la ranura del soporte antivuelco.

Si traslada de lugar la estufa, vuelva a asegurar el soporte anti-vuelco.

No ponga a funcionar la estufa sin tener el soporte anti-vuelco instalado y asegurado.

No seguir estas instrucciones puede ocasionar la muerte o quemaduras graves en niños y adultos.



Para verificar que el soporte anti-vuelco esté instalado y asegurado:

- Deslice la estufa hacia adelante.
- Verifique que el soporte anti-vuelco esté bien sujeto al piso o a la pared.
- Deslice la estufa de modo tal que la pata trasera quede debajo del soporte anti-vuelco.
- Consulte las instrucciones de instalación para ver más detalles.

INSTRUCCIONES IMPORTANTES DE SEGURIDAD

ADVERTENCIA: Para reducir el riesgo de incendio, choque eléctrico o lesiones personales al usar el electrodoméstico, siga precauciones básicas, entre ellas las siguientes:

- **ADVERTENCIA:** PARA REDUCIR EL RIESGO DE VUELCO DE LA ESTUFA, LA MISMA DEBE ASEGURARSE CON LA INSTALACIÓN ADECUADA DE DISPOSITIVOS ANTIVUELCO.. PARA VERIFICAR SI LOS DISPOSITIVOS ESTÁN INSTALADOS ADECUADAMENTE, DESLICE LA ESTUFA HACIA ADELANTE, REVISE QUE EL SOPORTE ANTIVUELCO ESTÉ BIEN SUJETO AL PISO O A LA PARED Y DESLICE LA ESTUFA HACIA ATRÁS DE MODO QUE LA PATA TRASERA QUEDE DEBAJO DEL SOPORTE ANTIVUELCO..
- **PRECAUCIÓN:** No almacene artículos que interesen a los niños en los armarios que están encima de la estufa o en el soporte de la estufa; al trepar los niños encima de la estufa para alcanzar algún objeto, podrían sufrir una lesión grave.
- **Instalación correcta:** El electrodoméstico, cuando se instale, deberá ser conectado a tierra de acuerdo con los códigos locales, o en la ausencia de códigos locales, con el Código nacional eléctrico *National Electrical Code, ANSI/NFPA 70* o el *Canadian Electrical Code, CSA C22.1-02*. En Canadá, el electrodoméstico debe ser conectado a tierra de acuerdo con el Código canadiense de electricidad. Cerciórese de que la instalación y puesta a tierra del electrodoméstico sean efectuadas adecuadamente por un técnico calificado.
- Nunca use el electrodoméstico como calefacción del cuarto.
- No deje a los niños solos. No se debe dejar a los niños sin supervisión en el área donde el electrodoméstico esté en uso. Jamás se les debe permitir que se sienten ni se paren en parte alguna del electrodoméstico.
- Use ropa apropiada. Nunca debe ponerse ropa holgada o que se esté colgando mientras esté usando el electrodoméstico.
- Servicio del usuario: no repare ni reemplace pieza alguna del electrodoméstico a menos que se recomiende específicamente en el manual. Cualquier otro servicio se debe dejar en las manos de un técnico competente.
- Almacenaje en o sobre el electrodoméstico: los materiales inflamables no deben almacenarse en el horno o cerca de las unidades exteriores.
- Este aparato no ha sido diseñado para almacenar objetos.
- No use agua en incendios provocados por grasa. Extinga el incendio o la llama o use un extinguidor de tipo espuma o químico seco.
- No use piezas de repuesto que no hayan sido recomendadas por el fabricante (por ejemplo, piezas hechas en casa con una impresora 3D).
- Use solo agarradores de ollas que estén secos. Los agarradores de ollas húmedos o mojados en las superficies calientes pueden ocasionar quemaduras por vapor. No deje que el agarrador de ollas toque los elementos calefactores calientes.. No use una toalla ni otros paños voluminosos.
- **NO TOQUE LAS UNIDADES EXTERIORES O ÁREAS CERCA DE LAS UNIDADES** - Las unidades exteriores podrían estar calientes no obstante su color sea oscuro. Las áreas cercanas a las unidades exteriores se pueden calentar lo suficiente para ocasionar quemaduras. Durante y después del uso, no toque ni deje que la ropa u otros materiales inflamables toquen las unidades exteriores o las áreas cercanas a las unidades hasta que haya transcurrido tiempo suficiente para que se enfíen. Entre esas áreas, están la superficie de cocción y las superficies que están frente a la superficie de cocción.

GUARDE ESTAS INSTRUCCIONES

INSTRUCCIONES IMPORTANTES DE SEGURIDAD


- Use cacerolas de tamaño apropiado - La superficie de cocción está equipada con una o más unidades exteriores de tamaño distinto. Seleccione utensilios que tengan el asiento liso lo suficientemente grande para cubrir el elemento calefactor de la unidad exterior. El uso de utensilios de menor tamaño expondrá una porción del elemento calefactor a contacto directo y puede ocasionar que la ropa se incendie. La relación apropiada entre el utensilio y el quemador también mejorará el rendimiento energético.
 - Nunca deje sin supervisión las unidades exteriores a fuego alto. Los derrames por ebullición ocasionan salpicaduras grasosas y humeantes que pueden incendiarse.
 - Cerciórese de que las charolas reflectoras o platillos para goteo estén en su lugar - La ausencia de éstos durante la cocción puede ocasionar daños al alambrado o componentes que están debajo.
 - Forros protectores: No use papel de aluminio para forrar los platillos para goteo de las unidades exteriores o la parte inferior del horno, excepto como lo sugiera el manual. La instalación incorrecta de estos forros puede dar lugar a riesgos de choque eléctrico o incendio.
 - Utensilios de cocina vidriados - Sólo algunos tipos de utensilios de vidrio, cerámica vitrificada, cerámica, loza de barro u otros utensilios vidriados son adecuados para uso en la superficie de cocción sin que se rompan debido a cambios repentinos de temperatura.
 - Los mangos de los utensilios deben colocarse hacia adentro y no deben extenderse hasta las unidades exteriores adyacentes - Para reducir riesgos de quemaduras, incendio de materiales inflamables y salpicaduras debido a contacto accidental con el utensilio, el mango del utensilio debe colocarse hacia adentro y no debe extenderse hasta las unidades exteriores adyacentes.
 - No remoje los elementos calefactores desmontables - Nunca se deben sumergir los elementos calefactores en el agua.
 - No cocine en una superficie de cocción quebrada - Si la superficie de cocción se quiebra, las soluciones de limpieza y derrames pueden penetrar en la superficie de cocción y dar lugar a un riesgo de choque eléctrico. Comuníquese de inmediato con un técnico competente.
 - Limpie la superficie de cocción con cuidado - Si usa una esponja o un paño mojado para limpiar los derrames en el área de cocción caliente, tenga cuidado para evitar quemaduras por vapor. Algunos productos de limpieza pueden producir gases nocivos al ser aplicados en una superficie caliente.
 - Tenga cuidado al abrir la puerta. Deje que salga el aire caliente o el vapor antes de quitar o volver a colocar alimentos.
 - No ponga a calentar recipientes de alimentos cerrados. La acumulación de presión puede hacer que el recipiente explote y ocasione lesiones.
 - Mantenga los ductos de ventilación del horno sin obstrucciones.
 - Colocación de las parrillas del horno: siempre coloque las parrillas del horno en el lugar deseado mientras el horno esté frío. Si se debe mover la parrilla mientras el horno está caliente, no permita que el agarrador de ollas entre en contacto con el elemento calefactor caliente en el horno.
 - NO TOQUE LOS ELEMENTOS CALEFACTORES NI LAS SUPERFICIES INTERIORES DEL HORNO. Los elementos calefactores podrían estar calientes, aún si están de color oscuro. Las superficies interiores de un horno se calientan lo suficiente como para causar quemaduras. Durante y después del uso, no toque ni deje que la ropa u otros materiales inflamables toquen los elementos calefactores ni las superficies interiores del horno hasta que haya transcurrido tiempo suficiente para que se enfrien. Otras superficies del horno pueden calentarse lo suficiente como para causar quemaduras, entre esas superficies están los orificios de ventilación del horno y las superficies cercanas a esos orificios, las puertas del horno y las ventanas de las puertas del horno.
 - Se debe tener cuidado para evitar que el papel aluminio y las sondas para carne entren en contacto con los elementos calefactores.
- Para las estufas con autolimpieza –**
- No limpie la junta – La junta de la puerta es esencial para que quede bien sellada. Deberá tenerse cuidado de no frotar, dañar ni mover la junta.
 - No use limpiadores para horno – No deberá usarse ningún limpiador para horno comercial ni revestimiento protector para hornos de ninguna clase dentro ni alrededor de ninguna parte del horno.
 - Limpie solamente las partes enlistadas en el manual.
 - Antes de hacer la autolimpieza del horno – Quite la charola para asar a la parrilla y otros utensilios.
- Para unidades con campana de ventilación –**
- Limpie las campanas de ventilación con frecuencia. No se debe dejar que la grasa se acumule en la campana o en el filtro.
 - Al flamear los alimentos debajo de la campana, encienda el ventilador.
- Para cocinas y hornos inteligentes habilitados:**
- Operación remota: este electrodoméstico es configurable para autorizar la operación remota en cualquier momento. No almacene materiales inflamables o artículos sensibles a la temperatura en el interior, en o cerca de la superficie del electrodoméstico.

GUARDE ESTAS INSTRUCCIONES

CUIDADO Y MANTENIMIENTO DE LA ESTUFA

Ciclo de autolimpieza

⚠ ADVERTENCIA



Peligro de Quemaduras

No abra el horno durante el ciclo de autolimpieza.

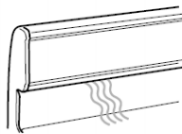
Mantenga a los niños lejos del horno durante el ciclo de autolimpieza.

No seguir estas instrucciones puede ocasionar quemaduras

IMPORTANTE: La salud de algunos pájaros es sumamente sensible a los gases emanados durante el ciclo de autolimpieza. La exposición a los gases puede ocasionar la muerte de ciertos pájaros. Traslade siempre los pájaros a otro cuarto cerrado y bien ventilado.

Mantenga la cocina bien ventilada durante el ciclo de autolimpieza; esto ayudará a que haya menos calor, olores y humo.

No bloquee los orificios de ventilación del horno durante el ciclo de autolimpieza. El aire debe moverse con libertad. Según el modelo, vea la sección "Ventilación del horno" o "Ventilaciones de los hornos" en la Guía de inicio rápido.



A. Ducto de ventilación del horno

No limpie, frote, dañe ni mueva la junta de la puerta del horno.

Prepare la estufa

- Retire el recipiente para asar, la parrilla, los utensilios de cocina y los de hornear, todos los utensilios de cocción, las parrillas del horno, el papel de aluminio y, en algunos modelos, la sonda de temperatura del horno.
- Use un paño húmedo para limpiar el borde interior de la puerta y el área de 1 1/2" (3,8 cm) alrededor del marco de la cavidad interna del horno; tenga cuidado de no mover ni doblar la junta.
- Limpie cualquier suciedad que esté suelta para reducir el humo y evitar daños. A altas temperaturas, los alimentos reaccionan con la porcelana. Esto puede dar lugar a manchas, marcas, picaduras o manchas blancas tenues. Esto no afectará los resultados de la cocción.
- Retire los objetos de plástico de la superficie de cocción, ya que pueden derretirse.
- Saque todos los objetos del cajón de almacenamiento.

Funcionamiento del ciclo

IMPORTANTE: Si la porcelana se calienta o se enfría sobre el acero en el horno, se puede producir cambio de color, pérdida de brillo, pequeñas fisuras y sonidos de estallido.

El ciclo de autolimpieza usa temperaturas muy altas que queman la suciedad, convirtiéndola en ceniza.

Una vez que se haya enfriado el horno por completo, quite las cenizas con un paño húmedo. Para evitar la rotura del vidrio, no le aplique un paño húmedo y frío al vidrio interior de la puerta antes de que se haya enfriado por completo.

Para detener el ciclo de autolimpieza en cualquier momento, presione la tecla cancelar. Si la temperatura es demasiado alta, la puerta del horno permanecerá bloqueada y aparecerán en la pantalla "cool" (enfriamiento) y "lock" (bloqueado).

Cuando aparece "lock" (bloqueado) en la pantalla, no se pueden abrir las puertas de los hornos. Para evitar daños a las puertas, no las fuerce para abrirlas si aparece "lock" (bloqueado) en la pantalla.

Antes de la autolimpieza, asegúrese de que la puerta esté completamente cerrada; de lo contrario no quedará bloqueada y no comenzará el ciclo de autolimpieza.

Una vez que se haya alcanzado la temperatura para la limpieza, el control electrónico requiere que transcurran 12 horas antes de poder comenzar otro ciclo de autolimpieza.

Las luces de los hornos no funcionan durante el ciclo de autolimpieza.

Control electrónico del horno con tiempo de limpieza ajustable

El ciclo de autolimpieza puede ajustarse entre 2 horas y 30 minutos y 4 horas y 30 minutos en incrementos de 30 minutos. Los tiempos sugeridos de limpieza son de 2 horas y 30 minutos para la suciedad ligera, y de 4 horas y 30 minutos para la suciedad intensa. Los últimos 30 minutos del ciclo son para el enfriamiento.

IMPORTANTE: Cuando la superficie de cocción esté en uso, el ciclo de autolimpieza estará desactivado. Cuando el ciclo de autolimpieza esté en uso, la superficie de cocción estará bloqueada.

Para usar la autolimpieza:

1. Presione CLEAN o SELF CLEAN.
2. Presione las flechas "+" o "-" o "hacia arriba" o "hacia abajo" de Temp/Time (Temperatura/ Hora) para ingresar el tiempo deseado para el ciclo de autolimpieza.
3. Presione la tecla inicio.
La puerta del horno se bloqueará automáticamente. Aparecerán en la pantalla las luces indicadoras de Door Locked (Puerta bloqueada) y Clean (Limpio). También aparecerá en la pantalla el tiempo restante.
4. Cuando se haya terminado el ciclo de autolimpieza y el horno se enfríe, las luces indicadoras de Door Locked (Puerta bloqueada) y Clean (Limpieza) se apagarán.
5. Una vez que se haya enfriado el horno por completo, quite las cenizas con un paño húmedo.
Para salir del ciclo de autolimpieza antes de que se complete, presione la tecla cancelar. La puerta se desbloqueará una vez que se enfríe el horno.

Limpeza general

IMPORTANTE: Antes de la limpieza, asegúrese de que todos los controles estén apagados y que el horno y la superficie de cocción estén fríos. Siempre siga las instrucciones de las etiquetas de los productos de limpieza.

En primer lugar, se sugiere el empleo de jabón, agua y una esponja o paño suave, salvo que se indique lo contrario.

SUPERFICIES EXTERIORES DE ESMALTE DE PORCELANA (en algunos modelos)

Los derrames de alimentos que contienen ácidos, como vinagre y tomate, deben limpiarse apenas se enfríe por completo la estufa. Esos derrames pueden afectar el acabado.

Método de limpieza:

- Limpiavidrios, limpiador líquido suave o estropajo no abrasivo: Limpie cuidadosamente alrededor de la placa con el número de modelo/serie/clasificación porque el fregado puede borrar los números.
- Limpiador affresh® para cocina y electrodomésticos, número de pieza W10355010 (no se incluye):
Para obtener información de contacto, consulte la Guía rápida de inicio.

ACERO INOXIDABLE (en algunos modelos)

NOTA: Para evitar daños a las superficies de acero inoxidable, no use estropajos precargados con jabón, productos de limpieza abrasivos, limpiador para superficies de cocción, estropajos de lana de acero, paños de lavar ásperos o toallas de papel abrasivas. Se podrían producir daños en las superficies de acero inoxidable, incluso aunque solo se usen una vez o de forma limitada.

Método de limpieza:

Frote en la dirección de la veta para evitar daños.

- Limpiador para acero inoxidable affresh®, número de pieza W10355016:
Para obtener información de contacto, consulte la Guía rápida de inicio.

PINTURA METÁLICA (en algunos modelos)

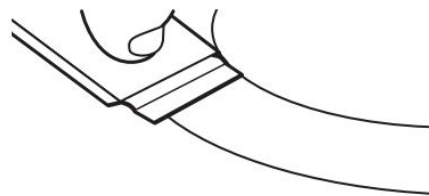
No use productos de limpieza abrasivos, limpiadores con blanqueador, removedores de óxido, amoníaco ni hidróxido de sodio (lejía), ya que se pueden manchar las superficies pintadas.

LIMPIEZA DE LA SUPERFICIE DE COCCIÓN DE VITROCERÁMICA

Método de limpieza:

Para evitar daños en la superficie de cocción, no use lana de acero, productos de limpieza en polvo abrasivos, blanqueador con cloro, removedor de óxido ni amoníaco.

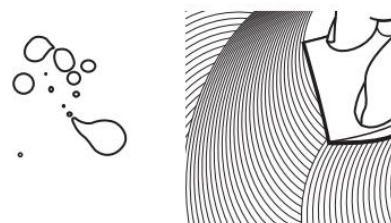
1. Quite los alimentos/residuos con el raspador para superficies de cocción.



- Para obtener resultados óptimos, use el raspador para superficies de cocción mientras la superficie de cocción todavía esté tibia, pero no caliente al tacto. Se recomienda usar guantes para horno cuando se raspa la superficie de cocción tibia.
- Sostenga el raspador para superficies de cocción en un ángulo de aproximadamente 45° contra la superficie de vidrio y raspe los residuos. Será necesario aplicar presión para retirar los residuos.

Espere hasta que la superficie de cocción se enfríe por completo antes de seguir con el paso 2.

2. Aplique pocas gotas del tamaño de una moneda pequeña de limpiador para superficies de cocción affresh® en las zonas afectadas.



- Frote la almohadilla de limpieza azul para superficies de cocción con limpiador para superficies de cocción affresh® sobre la superficie. Se requiere algo de presión para eliminar las manchas rebeldes.
- Espere hasta que el limpiador se seque y deje una opacidad blanca antes de seguir con el paso 3.

3. Pula con una toalla de papel o con un paño limpio y seco.



- Repita los pasos 1 a 3 según sea necesario para las manchas rebeldes o adheridas al quemarse.

Se puede pedir el juego completo de limpieza para la superficie de cocción, que incluye lo siguiente:

- Raspador para superficies de cocción
- Limpiador para superficies de cocción affresh®
- Almohadillas de limpieza azules para superficies de cocción

CONTROLES DE LA SUPERFICIE DE COCCIÓN

Para evitar daños en los controles de la superficie de cocción, no use lana de acero, productos de limpieza abrasivos ni productos de limpieza para hornos.

Para evitar daños, no remoje las perillas. Cuando vuelva a colocar las perillas, asegúrese de que estén en la posición de Off (Apagado).

En algunos modelos, no retire los sellos que hay debajo de las perillas.

Método de limpieza:

- Agua y jabón: Tire de las perillas en sentido recto para retirarlas del panel de control.

PANEL DE CONTROL Y EXTERIOR DE LA PUERTA DEL HORNO

Para evitar daños en el panel de control, no use productos de limpieza abrasivos, estropajos de lana de acero, paños de lavar ásperos ni toallas de papel abrasivas.

Método de limpieza:

- Limpiavidrios y un paño o una esponja suave: Aplique el limpiavidrios en una esponja o paño suave, no directamente sobre el panel.
- Limpiador affresh® para cocina y electrodomésticos, número de pieza W10355010 (no se incluye):
Para obtener información de contacto, consulte la Guía rápida de inicio.

ELEMENTOS CON BOBINA (en algunos modelos)

Método de limpieza:

- Paño húmedo:
Asegúrese de que las perillas de control estén apagadas y que los elementos estén fríos.

No los limpie ni los sumerja en agua. Si hay suciedad, ésta se quemará cuando se caliente.

TAZONES PARA QUEMADORES (en algunos modelos)

Antes de sacar o de volver a colocar los elementos de bobina y los tazones de los quemadores, asegúrese de que estén fríos y de que las perillas de control estén en la posición Off (Apagado).

Para quitar el elemento con bobina, empuje el borde del elemento hacia el receptáculo. Levántelo lo suficiente como para despejar el tazón del quemador. Jale el elemento con bobina directamente hacia fuera del receptáculo para sacarlo. Levante y saque el tazón del quemador.

Método de limpieza:

Tazones cromados de los quemadores

Lave en agua jabonosa tibia con frecuencia. No se recomienda lavar los tazones de cromo en la lavavajillas. Puede usarse un limpiador abrasivo suave y un estropajo de plástico para quitar las manchas rebeldes.

Para los tazones que tengan suciedad profunda, coloque una toalla de papel humedecida con amoníaco en las manchas y déjelos en remojo por un período corto; luego refriegue suavemente con un estropajo de plástico.

SUPERFICIE DEBAJO DE LA SUPERFICIE DE COCCIÓN (en algunos modelos)

La superficie de cocción con bobina se puede levantar, lo que facilita el acceso para limpiar debajo. Levante la superficie de cocción sosteniéndola por las esquinas hasta que el soporte encaje en su lugar

Método de limpieza:

- Limpiavidrios, limpiador líquido suave o estropajo no abrasivo.
- Limpiador Affresh® para cocina y electrodomésticos, número de referencia W10355010 (no se incluye):
Para obtener información de contacto, consulte la Guía rápida de inicio.

Para evitar dañar la estufa, no quite la superficie de cocción.

PARRILLAS DEL HORNO

Método de limpieza:

- Estropajo de lana de acero.
- Para las parrillas que han cambiado de color y que no se deslizan con facilidad, la aplicación de una capa ligera de aceite vegetal en las guías de la parrilla ayudará a que se deslicen con mayor facilidad.
- Lavavajillas (solo para el depósito de agua de la parrilla de vapor, no las demás parrillas): Si bien el depósito de agua es resistente, puede perder el brillo y/o cambiar de color si se lo lava en la lavavajillas

CAJÓN DE ALMACENAMIENTO O CAJÓN DE CALENTAMIENTO (en algunos modelos)

Antes de limpiar el cajón de almacenamiento o cajón de calentamiento, revise que esté frío y vacío.

Método de limpieza:

- Detergente suave.

CAVIDAD DEL HORNO

No use productos de limpieza para hornos.

Los derrames de alimentos deben limpiarse cuando el horno se enfría. A altas temperaturas, la reacción química de los alimentos con la porcelana puede dar lugar a manchas, corrosión, picaduras o tenues puntos blancos.

Método de limpieza:

- Ciclo de limpieza: Consulte la sección "Ciclo de autolimpieza".

INSTRUCCIONES DE INSTALACIÓN

REQUISITOS

Herramientas y piezas

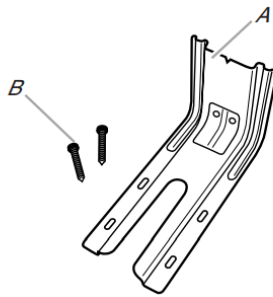
Reúna las herramientas y las piezas necesarias antes de comenzar la instalación. Lea y siga las instrucciones provistas con cualquiera de las herramientas detalladas aquí.

Herramientas necesarias

- Cinta para medir
- Destornillador de hoja plana
- Destornillador Phillips
- Nivel
- Martillo
- Taladro manual o eléctrico
- Llave o pinzas
- Marcador o lápiz
- Linterna
- Cinta adhesiva protectora
- Trinquete de accionamiento de 1/4" (6,4 mm)
- Llave para tuercas de 1/4" (6,4 mm)
- Llave de tuercas de 3/8" (9,5 mm) y 5/16" (8 mm)
- Punta de taladro de 1/8" (3,2 mm) (para pisos de madera)
- Alicata para latón o cortacables grande (para cortar la banda de conexión a tierra de ser necesario)

Piezas suministradas

Verifique que estén todas las piezas.



A. Soporte antivuelco

B. Tornillos # 12 x 1 5/8" (4.1 cm) (2)

- El soporte anti-vuelco debe estar montado firmemente al piso o a la pared. Según el espesor del piso, es posible que sea necesario utilizar tornillos más largos para sujetar el soporte al piso.

Piezas necesarias

Si se usa un kit de cable de suministro eléctrico:

- Un cable de suministro eléctrico que esté en la lista de UL marcado para el uso con estufas. El cable debe estar clasificado para 250 voltios como mínimo, 40 A o 50 A, marcado para el uso con una abertura de conexión de 13/8" (3,5 cm) de diámetro nominal y debe terminar en terminales de anillo o de horquilla con extremo abierto con los extremos vueltos hacia arriba.
- Un protector de cables que esté en la lista de UL.

Verifique los códigos locales. Compruebe el suministro eléctrico existente. Vea la sección "Requisitos eléctricos" apropiada.

Es recomendable que todas las conexiones eléctricas sean hechas por un instalador eléctrico competente autorizado.

NOTA: Asegúrese de comprar únicamente piezas y accesorios Whirlpool certificados de fábrica para su electrodoméstico. Su instalación puede requerir piezas adicionales. Para pedir las, consulte la información de contacto que figura en la Guía de inicio rápido.

Requisitos de ubicación

IMPORTANTE: Respete todos los códigos y las ordenanzas vigentes

- Es responsabilidad del instalador cumplir con los espacios de instalación especificados en la placa que indica modelo/serie/valores nominales. La placa que indica modelo/serie/valores nominales está ubicada en el marco detrás de una esquina superior de la puerta o en alguno de los costados del cajón.
- La placa que indica modelo/serie/valores nominales está ubicada en el marco detrás de una esquina superior de la puerta o en alguno de los costados del cajón.
- Las instalaciones empotradas deben dejar completamente encerrados los lados y la parte posterior de la estufa.
- Todas las aberturas en la pared o en el piso en donde se instalará la estufa deben estar selladas.
- Deben usarse las dimensiones de la abertura del gabinete que se muestran. Las dimensiones proporcionadas son los espacios mínimos.
- Debe instalarse el soporte antivuelco. Para instalar el soporte antivuelco enviado con la cocina, consulte la sección "Instalación del soporte antivuelco".
- Se requiere un suministro eléctrico conectado a tierra. Consulte la sección "Requisitos eléctricos".

- Póngase en contacto con un instalador de revestimiento de pisos competente para verificar que el revestimiento del piso pueda soportar por lo menos 200 °F (93 °C).
- Use una almohadilla aislante o una madera laminada de 1/4" (6,4 mm) debajo de la estufa si la va a instalar sobre una alfombra.

IMPORTANTE: Para evitar daños a los armarios, consulte al constructor o al distribuidor de los armarios para asegurarse de que los materiales empleados no cambien de color, no se desprenda el laminado ni sufran ningún otro tipo de daño. Este horno fue diseñado de acuerdo con los requisitos de UL y CSA International y cumple con las temperaturas máximas permitidas para gabinetes de madera de 194 °F (90 °C).

Requisitos de instalación adicionales para casas rodantes

La instalación de esta estufa debe ajustarse a la Norma para la construcción y la seguridad de casas fabricadas, título 24 CFR, parte 3280 (antes Norma federal para la construcción y la seguridad de casas rodantes, título 24, HUD parte 280). Cuando esa norma no sea aplicable, use la Norma para instalaciones en casas fabricadas, ANSI A225.1/NFPA 501A o los códigos locales.

En Canadá, la instalación de esta estufa debe hacerse conforme con las normas vigentes de CAN/CSA-Z240.1, su edición más reciente, o con los códigos locales.

Las instalaciones en casas rodantes necesitan:

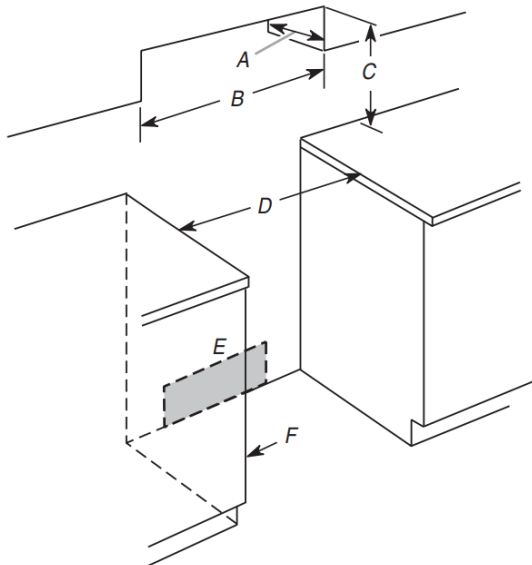
- Cuando se instale esta estufa en una casa rodante, deberá asegurarse según las instrucciones de este documento.
- Para la instalación en una casa rodante, deberá usarse un cable de suministro eléctrico de cuatro hilos. Deberá revisarse el cableado del aparato. Vea la sección "Conexión eléctrica, EE. UU. solamente".

Dimensiones del gabinete

Las dimensiones de abertura del armario que se muestra son para una profundidad de mostrador de 25" (64,0 cm), una profundidad del armario de la base de 24" (61,0 cm) y una altura del mostrador de 36" (91,4 cm).

IMPORTANTE: Si va a instalar una campana para estufa o una combinación microondas campana sobre la estufa, siga las instrucciones de instalación incluidas con la campana para estufa o la combinación microondas campana para las medidas de espacio sobre la superficie de cocción.

Una cocina independiente puede instalarse próxima a paredes combustibles con una separación cero.



- A. Profundidad máx. del gabinete superior: 13" (33,0 cm)
- B. 30" (76,2 cm) de ancho mínimo de la abertura
- C. Para ver el espacio mínimo hasta la parte superior de la superficie de cocción, consulte la NOTA*.
- D. 30" (76,2 cm) de ancho mínimo de la abertura
- E. Salida: 8" (20,3 cm) a 22" (55,9 cm) desde cualquiera de los armarios, 7" (17,8 cm) máx. desde el piso
- F. La puerta o las bisagras del gabinete no deben extenderse dentro del área del recorte.

***NOTA:** 24" (61,0 cm) como mínimo cuando la base del gabinete de madera o de metal esté cubierta por madera moldeada retardante de llama de al menos 1/4" (0,64 cm), cubierta con una lámina de acero no inferior a N.º 28 MSG, acero inoxidable de 0,015" (0,4 mm), aluminio de 0,024" (0,6 mm) o cobre de 0,020" (0,5 mm).

30" (76,2 cm) de espacio mínimo entre la parte superior de la plataforma de la superficie de cocción y la base de un gabinete de madera o metal descubierto.

Requisitos eléctricos — EE. UU. únicamente

Si los códigos lo permiten y se emplea un cable de conexión a tierra separado, es recomendable que un instalador eléctrico competente determine si la ruta de conexión a tierra y el calibre del cable están de acuerdo con los códigos locales.

No use un cable eléctrico de extensión.

Asegúrese de que la conexión eléctrica y el tamaño del cable sean adecuados y de que cumplan con el Código nacional de electricidad (National Electrical Code), ANSI/NFPA 70, edición más reciente, y con todos los códigos y las ordenanzas locales.

Se puede obtener una copia de las normas de los códigos antes indicados en:

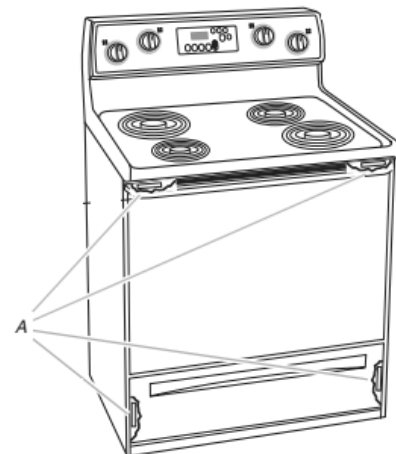
National Fire Protection Association
1 Batterymarch Park
Quincy, MA 02169-7471

ADVERTENCIA: La conexión incorrecta del conductor de conexión a tierra del equipo puede dar como resultado el riesgo de un choque eléctrico. Si no está seguro de que la conexión a tierra del aparato sea la adecuada, verifíquela con un electricista o un técnico de servicio competente. No modifique el enchufe del cable de suministro eléctrico. Si no encaja en el tomacorriente, consulte con un electricista competente para instalar un tomacorriente adecuado.

Conexión eléctrica

Para instalar la estufa correctamente, se debe determinar el tipo de conexión eléctrica que se va a usar y seguir las instrucciones que aquí se proveen para el caso.

- La estufa debe estar conectada al voltaje eléctrico y frecuencia apropiados según se especifica en la placa con el número de clasificación del modelo/serie. La placa que indica modelo/serie/valores nominales está ubicada en el marco detrás de una esquina superior de la puerta o en alguno de los costados del cajón.



- A. La placa que indica modelo/serie/valores nominales está ubicada en el marco detrás de una esquina superior de la puerta o en alguno de los costados del cajón.

- Esta estufa se fabrica con el terminal neutro conectado a la carcasa. Use un cable de suministro eléctrico de 3 hilos, homologado por UL, de 40 A o 50 A (flexible) (vea la tablad de clasificaciones de estufas a continuación). Si los códigos locales no permiten la conexión a tierra a través del neutro, use un cable de suministro eléctrico de 4 hilos clasificado para 250 voltios, 40 A o 50 A y comprobado para el uso en estufas.

| Valores nominales de la estufa* | | Valores nominales del kit de cable de suministro eléctrico y protección del circuito |
|---------------------------------|-----------------|--|
| 120/240 voltios | 120/208 voltios | Amperios |
| 8,8 a 16,5 kW | 7,8 a 12,5 kW | 40 o 50** |
| 16,6 a 22,5 kW | 12,6 a 18,5 kW | 50 |

* La carga calculada por el Código eléctrico nacional (NEC) es inferior a la carga conectada total que se enumera en la placa que indica modelo/serie/valores nominales.

** Si se conecta a un circuito de 50 A, use un cable clasificado para 50 A con el kit. Para kits de cable clasificados para 50 A, use kits que especifiquen el uso con una abertura de conexión de 1 3/8" (3,5 cm) de diámetro nominal.

- Se recomienda usar un disyuntor.
- La estufa se puede conectar directamente a una caja de disyuntores (o un desconectador con fusible) a través de un cable flexible o con forro no metálico, de cobre o aluminio. Vea la sección "Conexión eléctrica, EE. UU. solamente".
- Deje de 2 a 3 pies (61,0 cm a 91,4 cm) extra en la línea para que se pueda mover la estufa en el caso que alguna vez se necesarie darle servicio.
- Debe proveerse un conector de conducto aprobado por UL en cada extremo del cable de suministro eléctrico (en la estufa y en la caja de empalmes).
- El tamaño de los hilos y las conexiones deben cumplir con la clasificación de la estufa.
- El diagrama de cableado está en la ficha técnica.
- La ficha técnica está en la parte posterior de la estufa, dentro de una bolsa plástica transparente.

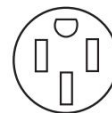
Si se va a conectar a un sistema de 4 hilos:

Esta estufa ha sido fabricada con la conexión a tierra conectada al neutro por medio de un enlace. Se debe revisar la conexión a tierra para verificar que el hilo verde de puesta a tierra del cable de suministro eléctrico de 4 hilos esté conectado a la carcasa. Vea la sección "Conexión eléctrica, EE. UU. solamente".

Está prohibido hacer la conexión a tierra a través del conductor neutro para las nuevas instalaciones de circuito derivado (1996 NEC), las casas rodantes y los vehículos de recreación, o en un área donde los códigos locales prohíban la conexión a tierra a través del conductor neutro.

Cuando se usa un tomacorriente de 4 hilos tipo NEMA 14-50R, se debe usar un cable de suministro eléctrico aprobado por UL para estufas, de 4 hilos, 250 voltios y 40 o 50 A (flexible). Este cable contiene 4 conductores de cobre con terminales de anillo o de horquilla con extremos abiertos y hacia arriba, terminado en un enchufe tipo NEMA 14-50P en el extremo de suministro eléctrico.

El cuarto conductor (de conexión a tierra) debe estar identificado con una cubierta verde o verde/amarilla y el conductor neutro debe estar identificado con una cubierta blanca. El cable debe ser Tipo SRD o SRDT con un protector de cables incluido en la lista de UL y de un largo mínimo de 4 pies (1,22 metros).



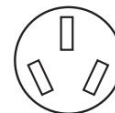
Tomacorriente de 4 hilos (14-50R)

Los tamaños mínimos para conductores del cable eléctrico de 4 hilos de cobre son:

Circuito de 40 A
2 conductores N.º 8
1 hilo blanco neutro N.º 10
1 hilo verde a tierra N.º 8

Si se va a conectar a un sistema de 3 hilos:

Es posible que los códigos locales permitan el uso de un cable de suministro eléctrico homologado por UL de 3 hilos, 250 voltios, 40 o 50 A (flexible). Este cable contiene 3 conductores de cobre con terminales de anillo o de horquilla con extremos abiertos y hacia arriba, terminado en un enchufe tipo NEMA 10-50P en el extremo de suministro eléctrico. Los conectores del extremo del aparato deben estar en el punto en que el cable de suministro eléctrico ingresa al aparato, que usa un tomacorriente de 3 hilos de Tipo NEMA 10-50R.



Tomacorriente de 3 hilos (10-50R)

Requisitos eléctricos – Solo en Canadá

⚠ ADVERTENCIA

Peligro de Choque Eléctrico

Conecte la estufa a tierra.

No seguir estas instrucciones puede ocasionar la muerte, incendio o choque eléctrico.

Si los códigos lo permiten y se emplea un cable de conexión a tierra separado, es recomendable que un instalador eléctrico competente determine si la ruta de conexión a tierra y el calibre del cable están de acuerdo con los códigos locales.

Asegúrese de que la conexión eléctrica y el tamaño del cable sean adecuados y en conformidad con el National Electrical Code (Código Nacional Eléctrico), ANSI/NFPA 70, última edición, o las normas de CSA C22.1-94, Canadian Electrical Code (Código Canadiense de Electricidad), Parte 1 y C22.2 N.º O-M91, última edición, y todos los códigos y ordenanzas locales.

Se puede obtener una copia de las normas de los códigos antes indicados en:

Canadian Standards Association
178 Rexdale Blvd.
Toronto, ON M9W 1R3 CANADA

- Si no está seguro de que la conexión a tierra de la estufa sea adecuada, verifíquela con un instalador eléctrico competente.

| Valores nominales de la estufa* | | Valores nominales del kit de cable de suministro eléctrico y protección del circuito | |
|---------------------------------|----------------|--|--|
| 120/240 V | 120/208 V | Amperios | |
| 8.8 - 16.5 KW | 7.8 - 12.5 KW | 40 or 50** | |
| 16.6 - 22.5 KW | 12.6 - 18.5 KW | 50 | |

* La carga calculada por el Código eléctrico nacional (NEC) es inferior a la carga conectada total que se enumera en la placa que indica modelo/serie/valores nominales.

** Para kits de cable clasificados para 50 A, use kits que especifiquen el uso con una abertura de conexión de 1 3/8" (34,9 mm) de diámetro nominal.

- Se recomienda un fusible retardador o un disyuntor.
- La estufa está equipada con un Cable eléctrico certificado por CSA International que debe enchufar en un receptáculo de pared 14-50R estándar.



- No use un cable eléctrico de extensión.

INSTALACIÓN

Desempaque la estufa

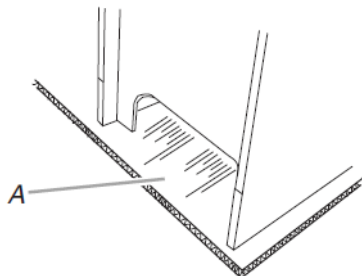
⚠ ADVERTENCIA

Peligro de Peso Excesivo

Use dos o más personas para mover e instalar o desinstalar el aparato.

No seguir esta instrucción puede ocasionar una lesión en la espalda u otro tipo de lesiones.

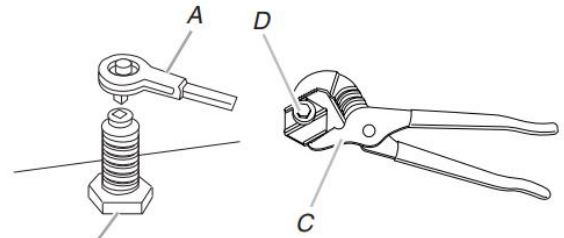
1. Quite los materiales de envío, la cinta adhesiva y la película de la cocina.
2. Saque las parrillas del horno y el paquete de piezas del interior del horno.
3. No quite la base de transporte en este momento.



A. Base de envío

4. En las estufas con un cajón de almacenamiento:

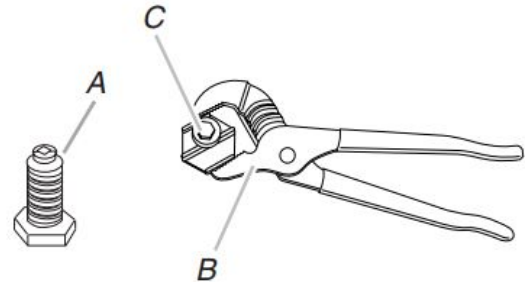
Retire el cajón de almacenamiento. Consulte la sección "Cajón de almacenamiento". Use un trinquete de accionamiento de 1/4" para bajar las patas niveladoras traseras dando medio giro. Use una llave o pinzas para descender las patas niveladoras delanteras media vuelta.



- A. Trinquete de accionamiento de 1/4"
 B. Pata niveladora posterior
 C. Llave o pinzas
 D. Pata niveladora delantera

En estufas con un cajón de calentamiento o cajón de almacenamiento premium:

En las estufas con un cajón de calentamiento o cajón de almacenamiento premium, no se puede acceder a las patas posteriores retirando el cajón de calentamiento o el cajón de almacenamiento premium. Será necesario regular las patas posteriores desde el exterior de la estufa. Use una llave o pinzas para descender las patas niveladoras delanteras y posteriores media vuelta.



- A. Pata niveladora posterior
 B. Llave o pinza
 C. Pata niveladora delantera

Instalación del soporte antivuelco

⚠ ADVERTENCIA



Peligro de vuelco

Un niño o un adulto puede volcar accidentalmente la estufa y resultar muerto.

Instale el soporte antivuelco fijado al piso o a la pared según las instrucciones de instalación.

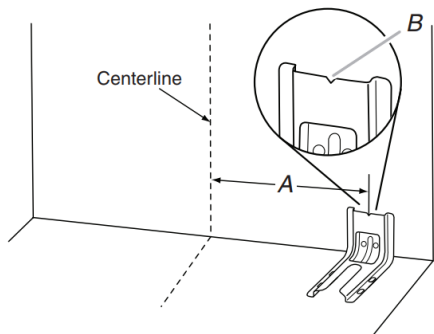
Deslice la estufa hacia atrás de modo que la pata trasera quede enganchada en la ranura del soporte antivuelco.

Si traslada de lugar la estufa, vuelva a asegurar el soporte antivuelco.

No ponga a funcionar la estufa sin tener el soporte antivuelco instalado y asegurado.

No seguir estas instrucciones puede ocasionar la muerte o quemaduras graves en niños y adultos.

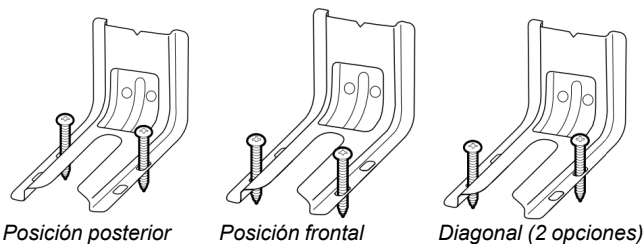
1. Retire el soporte antivuelco de donde está fijado con cinta adhesiva dentro del cajón de calentamiento o cajón de almacenamiento.
2. Decida qué método de montaje usará: en el piso o en la pared.
Si tiene piso de piedra o de mampostería, puede usar el método de montaje en la pared. Si instala la estufa en una casa rodante, deberá fijar la estufa al piso.
3. Determine y marque la línea central del espacio del recorte. El montaje puede instalarse en el lado izquierdo o derecho del área recortada. Ubique el soporte de montaje contra la pared en el recorte de modo que la muesca en V del soporte esté a $12\frac{9}{16}$ " (31,9 cm) de la línea central, como se muestra.



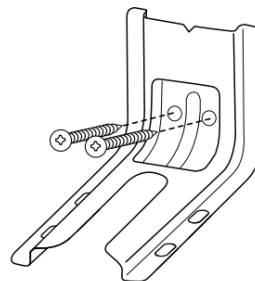
- A. $12\frac{9}{16}$ " (31,9 cm)
B. Muesca en V del soporte

4. Taladre dos orificios de $\frac{1}{8}$ " (3 mm), que coincidan con los orificios del soporte para el método de montaje que haya determinado. Vea las ilustraciones a continuación.

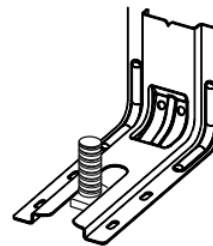
Montaje a través del piso



Montaje en la pared



5. Con un destornillador Phillips, monte el soporte antivuelco a la pared o piso con los dos tornillos n.º 12 x $1\frac{5}{8}$ " (41 cm) que se suministran.
6. Mueva la estufa lo suficientemente cerca de la abertura como para permitir que se hagan las conexiones eléctricas finales. Retire la base de envío, el cartón o la madera de debajo de la estufa.
7. Mueva la estufa a su ubicación final, asegurándose de que la pata niveladora trasera se deslice dentro del soporte antivuelco.



8. Mueva la estufa hacia adelante sobre la base de envío, el cartón o la madera para continuar la instalación según las instrucciones de instalación siguientes.

Regule las patas niveladoras

1. Si es necesario ajustar la altura de la estufa, use una llave o pinzas para aflojar las 4 patas niveladoras.

Esto puede hacerse con la estufa sobre su parte posterior o con la estufa apoyada sobre 2 patas después de haberla colocado nuevamente en posición vertical.

NOTA: para colocar la estufa nuevamente en posición vertical, coloque una hoja de cartón o una madera delante de la estufa. Con la ayuda de 2 o más personas, coloque la estufa de pie nuevamente sobre el cartón o la madera.

ADVERTENCIA



Peligro de vuelco

Un niño o un adulto puede volcar accidentalmente la estufa y resultar muerto.

Instale el soporte antivuelco fijado al piso o a la pared según las instrucciones de instalación.

Deslice la estufa hacia atrás de modo que la pata trasera quede enganchada en la ranura del soporte antivuelco.

Si traslada de lugar la estufa, vuelva a asegurar el soporte antivuelco.

No ponga a funcionar la estufa sin tener el soporte antivuelco instalado y asegurado.

No seguir estas instrucciones puede ocasionar la muerte o quemaduras graves en niños y adultos.

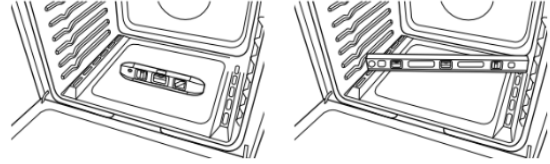
2. Mida la distancia desde la parte superior del mostrador hasta el piso.
3. Mida la distancia desde la parte superior de la superficie de cocción hasta la parte inferior de las patas niveladoras. La distancia debe ser la misma. De lo contrario, regule las patas niveladoras para corregir la altura. Las patas niveladoras pueden aflojarse para agregar hasta un máximo de 1" (2,5 cm). Se necesita un mínimo de 3/16" (5 mm) para enganchar el soporte antivuelco.
NOTA: si regula la altura cuando la estufa está de pie, incline la estufa hacia atrás para regular las patas delanteras y, después, inclínela hacia adelante para regular las patas traseras.
4. Cuando la estufa esté a la altura correcta, cerciórese de que haya un espacio adecuado debajo de la estufa para el soporte antivuelco. Antes de deslizar la estufa a su ubicación final, verifique que el soporte antivuelco se pueda deslizar debajo de la estufa y sobre la pata niveladora posterior antes de instalar el soporte.
NOTA: si se va a usar un kit de adornos, la parte superior de la superficie de cocción debe estar más alta que el mostrador. Consulte las instrucciones de instalación que se incluyen con el kit de adornos para ver la altura correcta.

Nivelación de la estufa

Para determinar si tiene tecnología AquaLift® o limpieza con vapor, consulte la sección "Mantenimiento y cuidado de la estufa".

Para estufas con tecnología AquaLift® o limpieza con vapor:

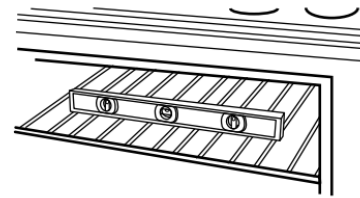
1. Coloque un nivel sobre el piso del horno, como se indica en una de las dos figuras a continuación, según el tamaño del nivel. Verifique con el nivel de lado a lado y del frente hacia la parte posterior.



2. Si la estufa no está nivelada, júlela hacia delante hasta quitar la pata niveladora posterior del soporte antivuelco.
3. Siga las indicaciones del estilo 1 o del estilo 2, según el estilo de cajón suministrado con la estufa.

Para estufas sin tecnología AquaLift® o limpieza con vapor:

1. Coloque una parrilla plana estándar en el horno.
2. Coloque el nivel sobre la parrilla y revise el nivel de la estufa, primero de lado a lado y luego de adelante hacia atrás.



3. Si la estufa no está nivelada, júlela hacia delante hasta quitar la pata niveladora posterior del soporte antivuelco.
4. Siga las indicaciones del estilo 1 o del estilo 2, según el estilo de cajón suministrado con la estufa.

Estilo 1: En las estufas con cajón de almacenamiento:

Use un trinquete de accionamiento de 1/4", una llave o pinzas para regular las patas niveladoras hacia arriba o hacia abajo hasta que la estufa esté nivelada. Empuje la estufa a su posición final. Verifique que la pata niveladora trasera esté enganchada en el soporte antivuelco.

Estilo 2: Estufas con cajón de calentamiento o cajón de almacenamiento premium:

Use una llave o pinzas para regular las patas niveladoras hacia arriba o hacia abajo hasta que la estufa esté nivelada. Empuje la estufa a su posición final. Verifique que la pata niveladora trasera esté enganchada en el soporte antivuelco.

NOTA: La estufa debe estar nivelada para un rendimiento satisfactorio del horneado y resultados óptimos de la limpieza con las funciones de tecnología AquaLift® y limpieza con vapor.

Conexión eléctrica — EE. UU. únicamente

Cable de suministro eléctrico

⚠ ADVERTENCIA



Peligro de Choque Eléctrico

Desconecte el suministro de energía antes de darle mantenimiento.

Use un cable de suministro eléctrico nuevo de 40 amp.

Enchufe en un contacto con conexión a tierra.

No seguir estas instrucciones puede ocasionar la muerte, incendio o choque eléctrico.

Cable directo

⚠ ADVERTENCIA



Peligro de Choque Eléctrico

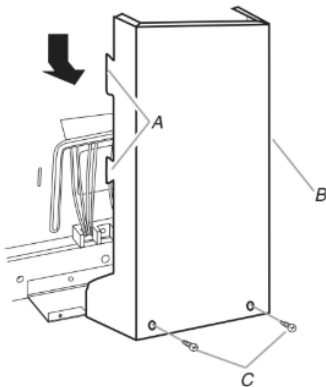
Desconecte el suministro de energía antes de darle servicio.

Use un alambre de cobre de calibre 8 o un alambre de aluminio de calibre 6.

Conecte la estufa a tierra.

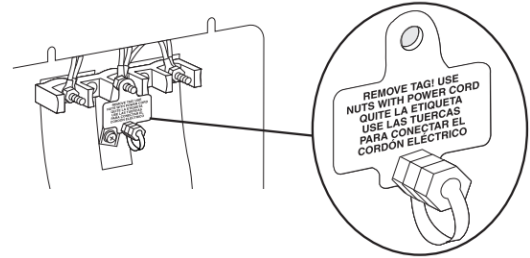
No seguir estas instrucciones puede ocasionar la muerte, incendio o choque eléctrico.

1. Desconecte el suministro eléctrico.
2. Quite los tornillos de la tapa del bloque de terminal ubicados en la parte posterior de la estufa. Jale la tapa hacia abajo y hacia usted para sacarla de la estufa.



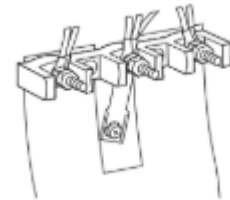
- A. Dos lengüetas de montaje a cada lado
B. Cubierta del bloque de terminales
C. Tornillos de cabeza hexagonal

3. Según cuál sea su modelo, retire la etiqueta plástica que sostiene tres tuercas hexagonales de 10-32 del poste medio del bloque de terminales.



O BIEN

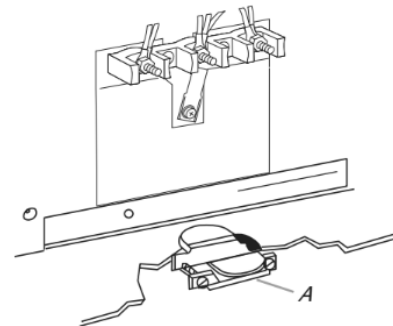
Retire la tuerca hexagonal de 10-32 de la parte superior de cada uno de los 3 bloques de terminales y resérvela.



4. Agregue el protector de cables.

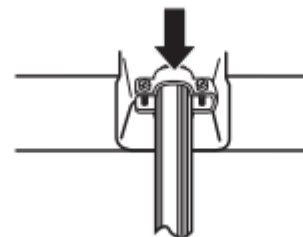
Estilo 1: Protector de cables del cable de suministro de energía

- Retire el disco removible para el cable de suministro de energía.
- Ensamble en la abertura un protector de cables que esté en la lista de UL.



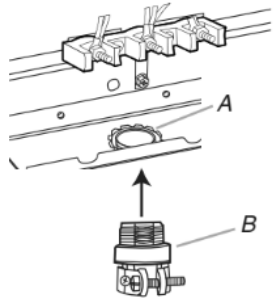
A. Protector de cables aprobado por UL

- Apriete el tornillo del protector de cables contra el cable de suministro eléctrico.



Estilo 2: Protector de cables para cable directo

- Quite el disco removible según sea necesario para la conexión del conducto flexible.
- Ensamble en la abertura un conector de conducto que esté en la lista de UL.



A. Tuerca de retención desmontable
B. Conductor

- Apriete el tornillo del protector de cables contra el conductor flexible.



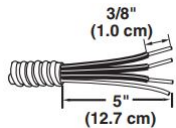
5. Complete la instalación según las instrucciones que correspondan al tipo de conexión eléctrica que tenga:

4 hilos (recomendada)

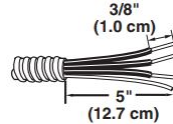
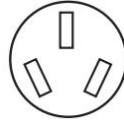
3 hilos (si no existe conexión de 4 hilos)

Opciones para la conexión eléctrica

| Si la casa tiene: | Y se va a hacer la conexión con: | Vaya a la sección: |
|---|--|--|
| Tomacorriente de 4 hilos (Tipo NEMA 14-50R) | Un cable de suministro eléctrico homologado por UL para estufas, 250 voltios como mínimo, 40 A | Conexión de 4 hilos: Cable de suministro eléctrico |
| Cable directo de 4 hilos | Una caja de disyuntores o un desconector con fusible | Conexión de 4 hilos: Cable directo |



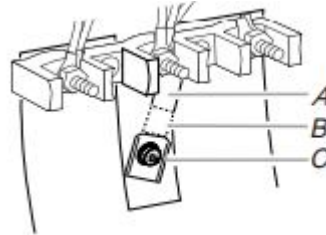
| Si la casa tiene: | Y se va a hacer la conexión con: | Vaya a la sección: |
|---|--|--|
| Tomacorriente de 3 hilos (tipo NEMA 10-50R) | Un cable de suministro eléctrico homologado por UL para estufas, 250 voltios como mínimo, 40 A | Conexión de 3 hilos: Cable de suministro eléctrico |
| Cable directo de 3 hilos | Una caja de disyuntores o un desconector con fusible | Conexión de 3 hilos: Cable directo |



Conexión de 4 hilos: Cable de suministro eléctrico

Use este método para:

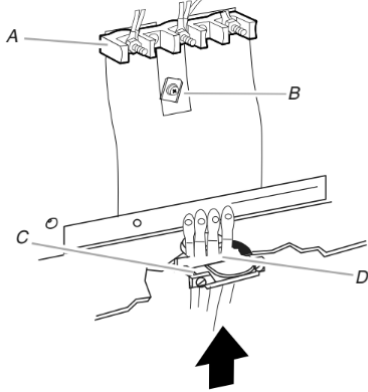
- Nuevas instalaciones de circuito derivado (1996 NEC)
 - Casas rodantes
 - Vehículos de recreación
 - En un área donde los códigos locales prohíban la conexión a tierra a través del terminal neutro
1. Parte de la banda metálica de conexión a tierra se debe recortar y retirar.



A. Banda metálica de conexión a tierra
B. Deseche
C. Tornillo de enlace a tierra

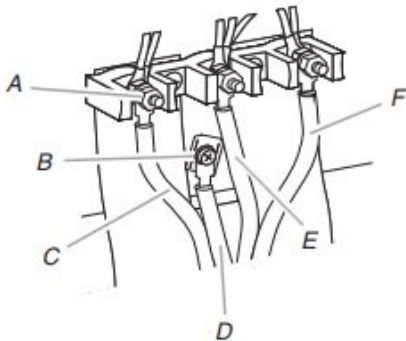
2. Use un destornillador Phillips para retirar el tornillo de enlace a tierra de la parte posterior de la estufa. Reserve el tornillo de enlace a tierra y el extremo del enlace a tierra que hay debajo del tornillo.

- Pase el cable de suministro eléctrico a través del protector de cables en la placa del cable/conducto en la base de la estufa. Deje el hilo lo suficientemente flojo para poder conectar el cableado al bloque de terminal.



A. Bloque de terminales
 B. Tornillo de enlace a tierra
 C. Protector de cables aprobado por UL
 D. Hilos del cable de suministro eléctrico AB(12.7 cm)5"

- Use un destornillador Phillips para conectar el hilo verde a tierra del cable de suministro eléctrico a la estufa con el tornillo de enlace a tierra y la sección del enlace a tierra. Debe sujetarse primero el hilo de puesta a tierra.
- Use un sacatuercas de 3/8" (9,5 mm) para conectar el cable neutral (blanco) al poste central del bloque de terminales con una de las tuercas hexagonales de 10-32.



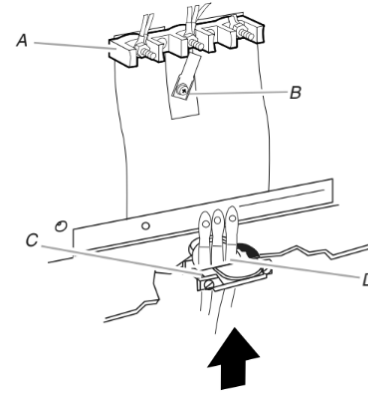
A. Tuerca hexagonal 10-32
 B. Tornillo de enlace a tierra
 C. Línea 2 (rojo)
 D. Hilo de conexión a tierra (verde)
 E. Hilo neutro (centro)
 F. Línea 1 (negro)

- Conecte los hilos de la línea 2 (rojo) y de la línea 1 (negro) a los postes externos del bloque de terminales con tuercas hexagonales 10-32.
- Apriete firmemente las tuercas hexagonales
NOTA: Para reemplazar el cable de suministro eléctrico, use únicamente cable eléctrico clasificado para 250 voltios como mínimo, 40 A o 50 A, marcado para el uso con una abertura de conexión de 1 3/8" (3,5 cm) de diámetro nominal, con terminales de anillo y marcado para el uso con estufas.
- Apriete los tornillos del protector de cables.
- Vuelva a colocar la tapa de acceso del bloque de terminal.

Conexión de 3 hilos: Cable de suministro eléctrico

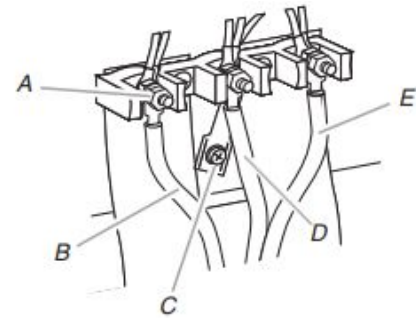
Use este método solamente si los códigos locales permiten conectar el conductor a tierra del chasis al hilo neutro del cable de suministro eléctrico.

- Pase el cable de suministro eléctrico a través del protector de cables en la placa del cable/conducto en la base de la estufa. Deje el hilo lo suficientemente flojo para poder conectar el cableado al bloque de terminal.



A. Bloque de terminales
 B. Tornillo de enlace a tierra
 C. Protector de cables aprobado por UL
 D. Hilos del cable de suministro eléctrico, abertura grande

- Use un sacatuercas de 3/8" (9,5 mm) para conectar el cable neutral (blanco) al poste central del bloque de terminales con una de las tuercas hexagonales de 10-32.



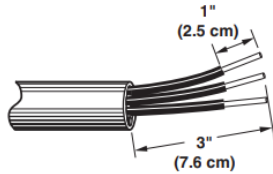
A. Tuerca hexagonal 10-32
 B. Línea 2 (rojo)
 C. Tornillo de enlace a tierra
 D. Hilo neutro (blanco)
 E. Línea 1 (negro)

- Conecte los hilos de la línea 2 (rojo) y de la línea 1 (negro) a los postes externos del bloque de terminales con tuercas hexagonales 10-32.
- Apriete firmemente las tuercas hexagonales.
NOTA: Para reemplazar el cable de suministro eléctrico, use únicamente cable eléctrico clasificado para 250 voltios como mínimo, 40 A o 50 A, marcado para el uso con una abertura de conexión de 1 3/8" (3,5 cm) de diámetro nominal, con terminales de anillo y marcado para el uso con estufas.
- Apriete los tornillos del protector de cables.
IMPORTANTE: Verifique el apriete de las tuercas hexagonales.
- Vuelva a colocar la tapa de acceso del bloque de terminal.

Instalación de cable directo: Hilo de cobre o aluminio

Esta estufa se puede conectar directamente a la desconexión con fusible o a la caja de disyuntores. Según el suministro eléctrico que tenga, realice la conexión de 3 o de 4 hilos necesaria.

1. Pele el recubrimiento exterior 3" (7,6 cm) para que los hilos queden expuestos. Pele $\frac{3}{8}$ " (9,5 mm) del aislamiento en el extremo de cada hilo.



2. Deje suficiente holgura en el hilo como para fijar el bloque de terminales del cableado con facilidad.
3. Complete la conexión eléctrica de acuerdo con el tipo de suministro de energía que usted tenga (conexión de 3 ó 4 hilos).

4 hilos (recomendada)

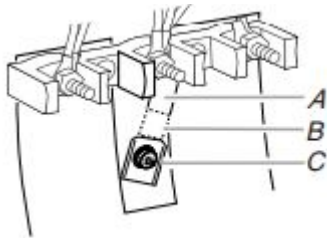
3 hilos (si no existe conexión de 4 hilos)

Conexión de 4 hilos: Cable directo

Use este método para:

- Nuevas instalaciones de circuito derivado (1996 NEC)
- Casas rodantes
- Vehículos de recreación
- En un área donde los códigos locales prohíban la conexión a tierra a través del terminal neutro

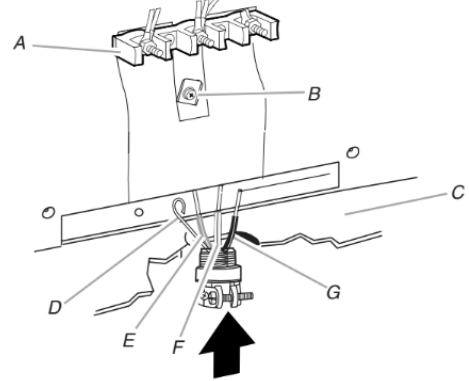
1. Parte de la banda metálica de conexión a tierra se debe recortar y retirar.



- A. Banda metálica de conexión a tierra
B. Deseche
C. Tornillo de enlace a tierra

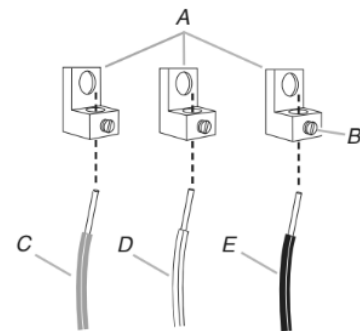
2. Use un destornillador Phillips para retirar el tornillo de enlace a tierra de la parte posterior de la estufa. Reserve el tornillo de enlace a tierra y el extremo del enlace a tierra que hay debajo del tornillo.

3. Pase los cables a través del protector de cables en la base de la estufa. Deje la holgura suficiente como para fijar el cableado al bloque de terminales con facilidad.



- A. Bloque de terminales
B. Tornillo de enlace a tierra
C. Placa de cable/conducto
D. Hilo desnudo de conexión a tierra (verde)
E. Hilo de línea 2 (rojo)
F. Hilo neutro (blanco)
G. Hilo de línea 1 (negro)

4. Sujete las lengüetas de los terminales a los hilos de la línea 1 (negro), neutra (blanca) y línea 2 (roja). Afloje (no retire) el tornillo opresor en la parte delantera de la lengüeta de los terminales e inserte el hilo expuesto a través de la parte inferior de las lengüetas de los terminales. Apriete con firmeza el tornillo opresor con la torsión que se muestra en la tabla Especificaciones de torsión para hilos desnudos.



- A. Lengüeta de terminal
B. Tornillo opresor
C. Hilo de línea 2 (rojo)
D. Hilo neutro (blanco)
E. Hilo de línea 1 (negro)

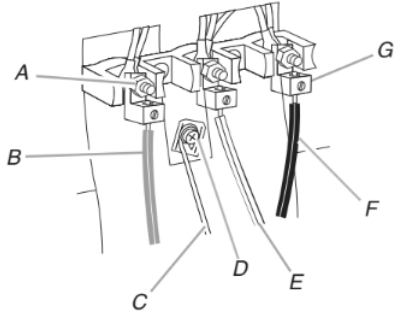
Especificaciones de torsión para hilos desnudos

Fijación de lengüetas de terminales al bloque de terminales:
20 lb-in (2,3 N-m)

| Calibre del hilo | Torsión |
|---------------------|--------------------|
| Cobre, calibre 8 | 25 lb-in (2,8 N-m) |
| Aluminio, calibre 6 | 35 lb-in (4,0 N-m) |

5. Use un destornillador hexagonal o Phillips para conectar el hilo a tierra (verde) desnudo a la estufa con el tornillo de enlace a tierra y la sección del enlace a tierra. Primero se debe fijar el cable a tierra, que no debe estar en contacto con ningún otro terminal.

- Use un sacatuercas de $\frac{3}{8}$ " (9,5 mm) para conectar el cable neutral (blanco) al poste central del bloque de terminales con una de las tuercas hexagonales de 10-32.



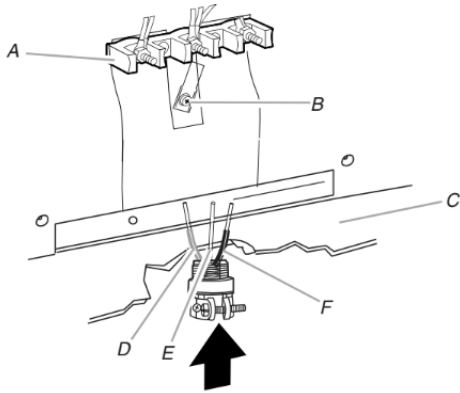
- A. Tuerca hexagonal 10-32
- B. Línea 2 (rojo)
- C. Hilo desnudo de conexión a tierra (verde)
- D. Tornillo de enlace a tierra
- E. Hilo neutro (blanco)
- F. Línea 1 (negro)
- G. Lengüeta de terminal

- Conecte los hilos de la línea 2 (rojo) y de la línea 1 (negro) a los postes externos del bloque de terminales con tuercas hexagonales 10-32.
- Apriete firmemente las tuercas hexagonales.
- Vuelva a colocar la tapa de acceso del bloque de terminal.

Conexión de 3 hilos: Cable directo

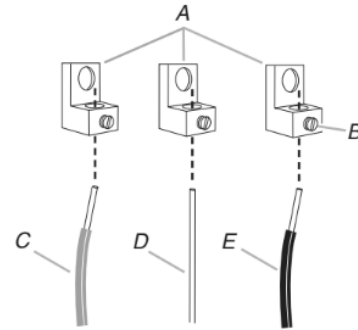
Use este método solamente si los códigos locales permiten conectar el conductor a tierra al hilo neutro de suministro eléctrico.

- Pase los cables a través del conducto en la placa del cable/conducto en la base de la estufa. Deje el hilo lo suficientemente flojo para poder conectar el cableado al bloque de terminal.



- A. Bloque de terminales
- B. Tornillo de enlace a tierra
- C. Placa de cable/conducto
- D. Hilo de línea 2 (rojo)
- E. Hilo desnudo de conexión a tierra (verde)
- F. Hilo de línea 1 (negro)

- Fije las lengüetas de los terminales a los hilos de la línea 2 (rojo), de conexión a tierra desnudo (verde) y de la línea 1 (negro). Afloje (no retire) el tornillo opresor en la parte delantera de la lengüeta de los terminales e inserte el hilo expuesto a través de la parte inferior de las lengüetas de los terminales. Apriete con firmeza el tornillo opresor con la torsión que se muestra en la tabla Especificaciones de torsión para hilos desnudos.



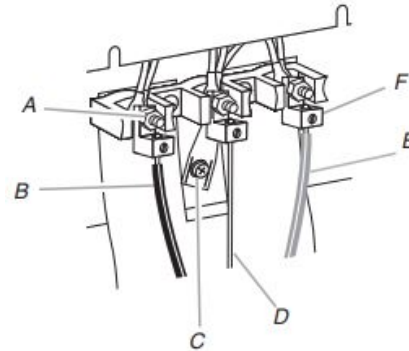
- A. Lengüeta de terminal
- B. Tornillo opresor
- C. Hilo de línea 2 (rojo)
- D. Hilo desnudo de conexión a tierra (verde)
- E. Hilo de línea 1 (negro)

Especificaciones de torsión para hilos desnudos

Fijación de lengüetas de terminales al bloque de terminales: 20 lb-in (2,3 N-m)

| Calibre del hilo | Torsión |
|---------------------|--------------------|
| Cobre, calibre 8 | 25 lb-in (2,8 N-m) |
| Aluminio, calibre 6 | 35 lb-in (4,0 N-m) |

- Use un sacatuercas de $\frac{3}{8}$ " (9,5 mm) para conectar el cable a tierra (verde) desnudo al poste central del bloque de terminales con una de las tuercas hexagonales de 10-32.



- A. Tuerca hexagonal 10-32
- B. Línea 2 (rojo)
- C. Tornillo de enlace a tierra
- D. Hilo desnudo de conexión a tierra (verde)
- E. Línea 1 (negro)
- F. Lengüeta de terminal

- Conecte los hilos de la línea 2 (rojo) y de la línea 1 (negro) a los postes externos del bloque de terminales con tuercas hexagonales 10-32.
- Apriete firmemente las tuercas hexagonales.
- Vuelva a colocar la tapa de acceso del bloque de terminal.

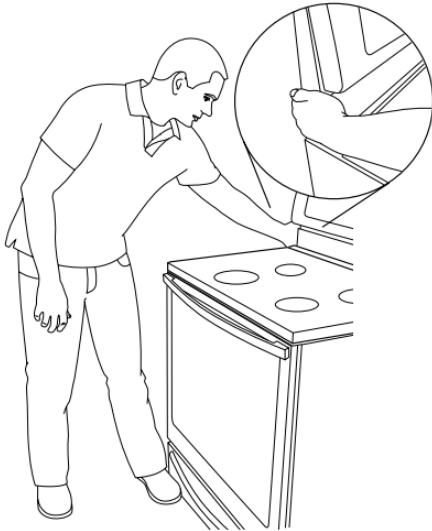
Verifique que el soporte antivuelco esté instalado y enganchado

En las estufas con un cajón de almacenamiento:

1. Retire el cajón de almacenamiento. Consulte la sección "Cajón de almacenamiento".
2. Use una linterna para mirar debajo de la parte inferior de la estufa.
3. Verifique visualmente que la pata trasera de la estufa esté insertada en la ranura del soporte antivuelco.

En estufas con un cajón de calentamiento o cajón de almacenamiento premium:

1. Coloque el lado externo del pie contra la parte delantera inferior del cajón de calentamiento o cajón de almacenamiento premium; después, aferre el lado inferior derecho o izquierdo del panel de control, como se muestra.
NOTA: Si el mostrador está montado con salpicadero, tal vez sea necesario levantar la estufa más alto de lo que se muestra en la ilustración.



2. Intente inclinar lentamente la estufa hacia adelante. Si enseguida siente resistencia, quiere decir que la pata de la estufa está enganchada en el soporte antivuelco.
3. Si la parte posterior de la estufa se levanta más de 1/2" (1,3 cm) del piso sin resistencia, deje de inclinar la estufa y descíndala con suavidad nuevamente al piso. La pata de la estufa no está enganchada en el soporte antivuelco.

IMPORTANTE: Si hay un sonido de estallido o explosión cuando se levanta la estufa, es posible que no esté completamente enganchada en el soporte. Revise si hay obstrucciones que impiden que la estufa se deslice hacia la pared o impiden que la pata de la estufa se deslice en el soporte. Verifique que el soporte se mantenga seguro en el lugar con los tornillos de montaje.

4. Deslice la estufa hacia delante y verifique que el soporte antivuelco esté fijado con firmeza al piso o a la pared.
5. Deslice la estufa hacia atrás de modo que la pata trasera quede insertada en la ranura del soporte antivuelco.

IMPORTANTE: Si la parte posterior de la estufa se separa más de 2" (5,1 cm) de la pared de montaje, es posible que la pata posterior de la estufa no se haya enganchado con el soporte. Deslice hacia adelante la estufa para determinar si hay una obstrucción entre la estufa y la pared de montaje. Si necesita asistencia o servicio técnico, Consulte la Guía rápida de inicio para ver la información de contacto.

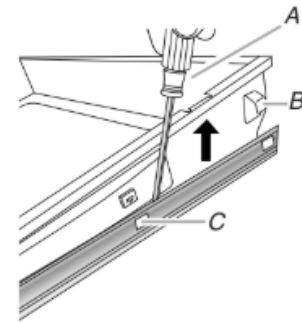
6. Repita los pasos 1 y 2 para cerciorarse de que la pata de la estufa esté enganchada en el soporte antivuelco.
Si la parte posterior de la estufa se separa más de 1/2" (1,3 cm) del piso sin resistencia, es posible que el soporte antivuelco no se haya instalado correctamente. No ponga a funcionar la estufa sin tener el soporte antivuelco instalado y asegurado. Consulte la Guía rápida de inicio para ver la información de contacto.

Cajón de calentamiento o cajón de almacenamiento Premium

Retire todos los elementos que haya dentro del cajón de calentamiento o el cajón de almacenamiento premium y espere hasta que la estufa se enfríe por completo antes de intentar retirar el cajón.

Para desinstalar:

1. Abra el cajón de calentamiento o el cajón de almacenamiento Premium por completo.
2. Con un destornillador de punta plana, afloje con cuidado el cajón de calentamiento o el cajón de almacenamiento premium de la muesca de alineación deslizante y levante la lengüeta de alineación del cajón de la guía de deslizamiento.

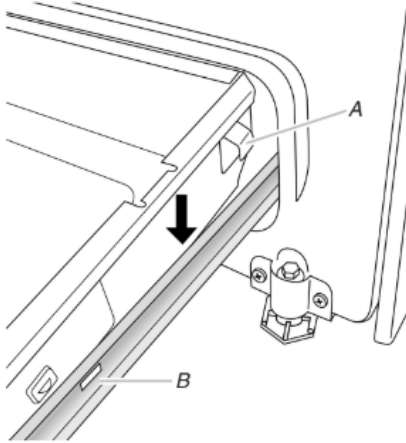


- A. Destornillador de punta plana
- B. Lengüeta de alineación del cajón
- C. Muesca de deslizamiento del cajón

3. repita el paso 2 en el otro lado. El cajón de calentamiento o el cajón de almacenamiento premium ya no están sujetos a las guías del cajón. Con las dos manos, levante el cajón de calentamiento o el cajón de almacenamiento premium para completar el retiro.

Para colocarla:

1. Alinee las muescas de la parte de adelante del cajón con las muescas en las guías del cajón que hay a ambos lados. Inserte las lengüetas de alineación de la parte trasera en las guías del cajón a ambos lados.



A. Lengüeta de alineación del cajón
B. Muesca de deslizamiento del cajón

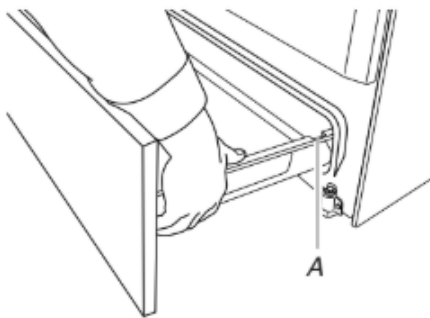
2. Empuje el cajón de calentamiento o el cajón de almacenamiento premium por completo hacia adentro.
3. Abra y cierre el cajón de calentamiento o el cajón de almacenamiento premium para asegurarse de que esté bien encajado sobre las guías a ambos lados.

Cajón de almacenamiento (en algunos modelos)

El cajón de almacenamiento puede retirarse. Antes de retirarlo, cerciórese de que esté frío y vacío.

Para retirarlo:

1. Retire el cajón de almacenamiento en sentido recto hasta el tope.



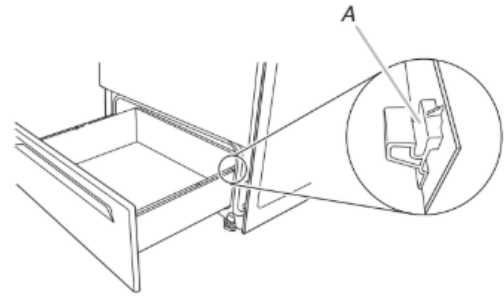
A. Muesca de tope del cajón

2. Levante el frente del cajón y retire el cajón hacia afuera.

Para volver a colocarlo:

1. Levante el frente del cajón y coloque la parte posterior del cajón dentro de la estufa de modo que la muesca de tope del cajón quede detrás de la guía del cajón.
2. Descienda el cajón de modo que el borde del riel de deslizamiento caiga dentro de la ranura en la guía del cajón.

3. Empuje lentamente el cajón dentro de la estufa.



A. Enganche la guía del cajón

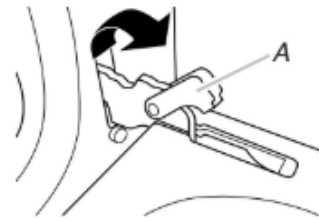
NOTA: Cuando están correctamente instaladas, las guías deslizantes posteriores de la base del cajón se engancharán con los rieles de la base y el cajón no se inclinará cuando se coloquen elementos en su interior.

Puerta del horno

Para el uso normal de la estufa, se sugiere no retirar la puerta del horno. Sin embargo, si es necesario quitarla, asegúrese de que el horno esté apagado y frío. Después, siga estas instrucciones. La puerta del horno es pesada.

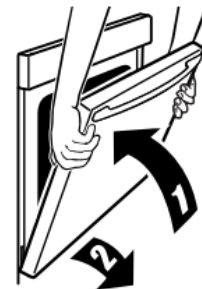
Para desinstalar:

1. Abra por completo la puerta del horno.
2. Pellizque la traba de la bisagra con dos dedos y tire hacia adelante. Repita en el otro lado de la puerta del horno.



A. Traba de bisagra

3. Cierre la puerta del horno tanto como sea posible.
4. Levante la puerta del horno sosteniéndola de ambos lados. Continúe empujando la puerta del horno para cerrarla y sáquela del marco de la puerta del horno.



Para colocarla:

1. Inserte los dos brazos de suspensión en la puerta.



2. Abra la puerta del horno.
Debería escuchar un chasquido cuando la puerta queda en su lugar.
3. Mueva las palancas de la bisagra nuevamente a la posición trabada. Verifique que la puerta pueda abrirse y cerrarse bien. De lo contrario, repita los procedimientos para retirar e instalar la puerta.

Completar la instalación

1. Verifique que todas las piezas estén ahora instaladas. Si hay alguna pieza extra, vuelva a revisar todos los pasos para ver cuál se omitió.
2. Verifique que tenga todas las herramientas.
3. Deseche o recicle todos los materiales de empaque.
4. Verifique que la estufa esté nivelada. Vea la sección "Nivelación de la estufa".
5. Use una solución suave de limpiador doméstico líquido y agua tibia para quitar el residuo ceroso que deje el material de embalaje. Seque meticulosamente con un paño suave. Para más información, vea la sección "Cuidado de la estufa" del Manual de uso y cuidado o las Instrucciones del usuario.
6. Lea la Guía rápida de inicio y la Guía de controles en línea.
7. Enchufe el cable de suministro de energía en el contacto apropiado. Encienda el aparato.
8. Encienda los quemadores de superficie y el horno. Consulte la Guía rápida de inicio y la Guía de controles en línea para obtener instrucciones específicas sobre el funcionamiento de la cocina.

Si la estufa no funciona, revise lo siguiente:

- Que el fusible de la casa esté intacto y ajustado o que no se haya disparado el cortacircuitos.
 - Que la estufa esté conectada en un tomacorriente con conexión a tierra.
 - Que el suministro eléctrico esté conectado.
- IMPORTANTE:** Si aparece un código de error "F9" o "F9, E0" en el control de la estufa, es posible que el tomacorriente de la casa esté mal cableado. Póngase en contacto con un electricista calificado para verificar el suministro eléctrico.
- Consulte la sección de Solución de problemas en línea.

Cuando la estufa haya estado encendida durante 5 minutos, verifique que haya calor. Si la estufa está fría, apáguela y póngase en contacto con un técnico de servicio calificado.

Cómo mover la estufa

⚠ ADVERTENCIA



Peligro de vuelco

Un niño o un adulto puede volcar accidentalmente la estufa y resultar muerto.

Instale el soporte antivuelco fijado al piso o a la pared según las instrucciones de instalación.

Deslice la estufa hacia atrás de modo que la pata trasera quede enganchada en la ranura del soporte antivuelco.

Si traslada de lugar la estufa, vuelva a asegurar el soporte antivuelco.

No ponga a funcionar la estufa sin tener el soporte antivuelco instalado y asegurado.

No seguir estas instrucciones puede ocasionar la muerte o quemaduras graves en niños y adultos.

Cuando mueva la estufa, deslícela sobre un pedazo de cartón o madera para prevenir que se dañe el revestimiento del piso.

Si es necesario quitar la estufa para limpiar o realizar mantenimiento:

Para estufas conectadas con cable de suministro eléctrico:

1. Deslice la estufa hacia adelante.
2. Desenchufe el cable de suministro de eléctrico.
3. Termine la limpieza o el mantenimiento.
4. Enchufe el cable de suministro de energía.
5. Verifique que el soporte antivuelco esté instalado y enganchado. Vea la sección "Verifique que el soporte antivuelco esté instalado y enganchado".
6. Verifique que la estufa esté nivelada.

Para estufas de cableado directo:

⚠ ADVERTENCIA



Peligro de Choque Eléctrico

Desconecte el suministro de energía antes de darle mantenimiento.

Vuelva a colocar todos los componentes y paneles antes de hacerlo funcionar.

No seguir estas Instrucciones puede ocasionar la muerte o choque eléctrico.

1. Desconecte el suministro eléctrico.
2. Deslice la estufa hacia adelante.
3. Termine la limpieza o el mantenimiento.
4. Verifique que el soporte antivuelco esté instalado y enganchado. Vea la sección "Verifique que el soporte antivuelco esté instalado y enganchado".
5. Verifique que la estufa esté nivelada.
6. Reconecte el suministro eléctrico.

©2020 All rights reserved. Used under license in Canada.

Tous droits réservés. Utilisé sous licence au Canada.

Todos los derechos reservados. Se usa bajo licencia en Canadá.