

# READ & SAVE THESE INSTRUCTIONS

## INSTALLATION OPERATION INSTRUCTIONS

### TOOLS & MATERIALS REQUIRED

- Blade screw driver
- Adjustable wrench
- Step Ladder
- Wire cutters
- Wiring supplies as required by electrical code

**CAUTION:** Before assembling your Lighting fixture, refer to the section titled *ELECTRICAL CONNECTIONS*. If you feel you do not have electrical wiring experience, refer to a do-it-yourself wiring handbook or have your fixture installed by a qualified licensed electrician.

### GENERAL

**WARNING:RISK OF FIRE.. MOST DWELLINGS BUILT BEFORE 1985 HAVE SUPPLY WIRE REATED 60°C.REFER TO SUPPLY WIRE MARKINGS ON FIXTURE.. CONSULT A QUALIFIED ELECTRICIAN BEFORE INSTALLING**

1 To ensure the success of the installation, be sure to read these instructions and review the diagrams thoroughly before beginning.

2 All electrical connections must be in accordance with local codes, ordinances, or the National Electrical Code. If you are unfamiliar with methods of installing electrical wiring, secure the services of the qualified licensed electrician.

3 These fixtures are intended to be mounted to a 4"x2 1/8" deep metal octagon outlet box. The box must be directly supported by the building structure.

4 Before starting the installation, disconnect the power by turning off the circuit breaker or by removing the fuse at the fuse box. Turning the power off using the light switch is not sufficient to prevent electrical shock.

**NOTE:** The important safeguards and instructions appearing in this manual are not meant to cover all possible conditions and situations that may occur. It must be understood that common sense, caution, and the care are factors which cannot be built into any product. These factors must be supplied by the person(s) caring for and operating the fixture.

### UNPACK THE FIXTURE

Check the contents of the box. You should receive:

- Mounting hardware package
- Lampholder assembly(s)
- Mounting bracket
- Shade(s)-not provided on some models
- Shade attachment screws(3 for each shade)-not provided on some models

### PREPARE THE FIXTURE

#### NOTE : FIRST TURN OFF ELECTRICITY

1 If you are replacing an existing fixture, disconnect and remove the old fixture. Expose the supply wiring from the outlet box.

2 Some fixtures are provided with a threaded nipple (See Fig. 1 and Fig.5)or machine screws (see Fig.2 and 2A)for attaching the fixture to the mounting bracket. If your fixture is supplied with a threaded nipple, screw the nipple 3 complete, turns into the mounting, bracket and lock into place with a hexagon lock nut. If your fixture is supplied with machine screw, thread the machine screws into the opposite side of the mounting bracket from the green ground screw. lock the machine screws into place with lock nuts. **EXCEPTION:** Ceiling mounted fixtures with keyhole slots should have machine screw entering mounting bracket from same side as green grounding screw (see Fig. 2A)

3 Fasten the mounting bracket to the outlet box using the two screws supplied with the outlet box if your fixture is supplied with a channel shape mounting bracket with keyhole slots for attachment to the mounting surface (see Fig.3), it will be necessary to mark the location of the keyhole slots on the mounting surface and drill holes for fasteners (not provided). Use fasteners suitable for the mounting surface. The narrow end of the keyhole slot should face up.

4 Attach grounding wire (green or bare copper) from the supply circuit to the mounting bracket with the green grounding attachment screw provided. Some models have a grounding wire attached to the fixture. For models that employ a green or bare copper grounding wire, it will be necessary to connect the green or bare grounding wire to the grounding conductor of the supply circuit. Attach all grounding conductors to the mounting bracket with the green grounding attachment screw

5 Make electrical connections-SEE BELOW

### ELECTRICAL CONNECTIONS

To make electrical connections:

Connect the white wire(s) from the fixture to the white wire of the supply circuit. Connect the black wire(s) from the fixture to the black wire of the supply circuit. Connect the green (or bare copper) colored wire to the grounding conductor of the supply circuit. If your fixture is supplied with an SPT cord connect the half of the SPT cord that is ribbed surface to the white wire of the supply circuit. Connect the smooth half of the wire (the half with markings) to the black wire of the supply circuit, Use UL listed wire connectors suitable for the size, type and number of conductors. No loose strands or loose wire should be present. Secure wire connectors with U.L listed electrical tape.

### FIANL ASSEMBLY

1 Spread the electrical splices so that the black wires are on one side of the outlet box and the white wires are on the other side.

2 Place fixture against mounting surface allowing the threaded nipple or machine screws to pass through the coverplate. Secure with mounting nut or acorn nuts. For fixtures with channel shape mounting bracket, place the coverplate over the channel and secure with screws provided.

3 If applicable, place candle cover(s) over lampholder(s) before installing bulb(s)(not provided).

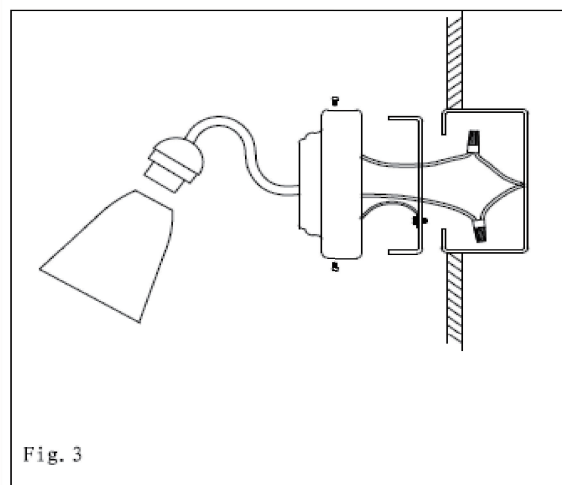
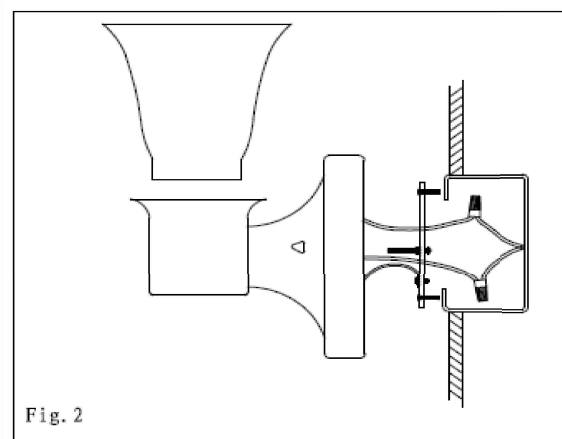
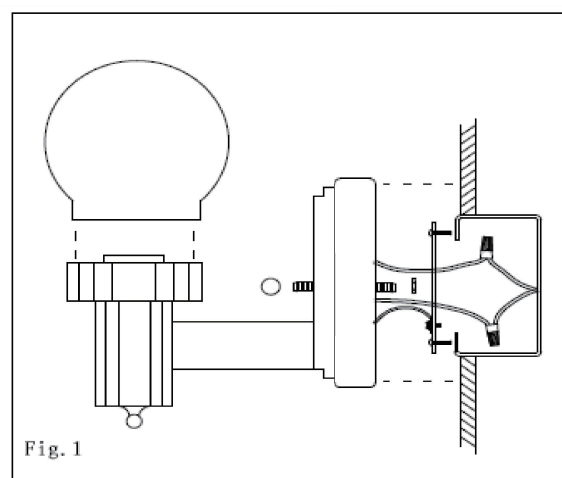
**CAUTION :**Refer to the relamping label located near the lampholder for recommended maximum wattage-do not exceed recommended wattage.

4 If applicable, attach shades to fixture. Some shades require the use of shade attachment screws. Do not overtighten these screws-too much pressure could cause glass breaking. See Fig.4 for replacement of fabric spacer, not supplied on all models.

5 Outdoor wall fixtures must be caulked with suitable RTV or Silicone compound around the top and sides of the coverplate to reduce the chance of water intruding into the splicing area. Leave the bottom clear to allow moisture means of escape.

6 Restore electricity and check the operation of your new lighting fixture.

## WARNING-RISK OF FIRE, MOST DWELLINGS BUILT BEFORE1985 HAVE SUPPLY WIRE RATED 60°C. CONSULT A QUALIFIED ELECRIAN BEFORE INSTALLING



**NOTE:** The above diagram illustrates the installation of your new lighting fixture. This is a representative drawing and is not intended to match the style of your fixture

