



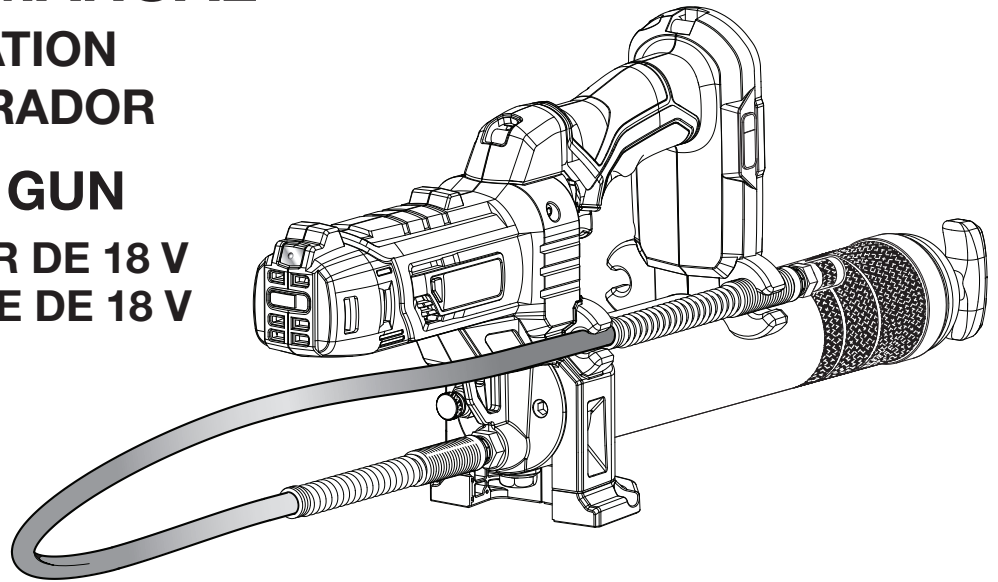
# OPERATOR'S MANUAL

## MANUEL D'UTILISATION MANUAL DEL OPERADOR

### 18 VOLT GREASE GUN

#### PISTOLET GRAISSEUR DE 18 V PISTOLA DE ENGRASE DE 18 V

#### P3410



#### TABLE OF CONTENTS

\*\*\*\*\*

- General Power Tool Safety Warnings.....2-3
- Grease Gun Safety Warnings ..... 4
- Symbols.....5
- Features.....6
- Assembly .....6
- Operation.....6-9
- Maintenance..... 10
- Illustrations .....11-13
- Parts Ordering and Service .....Back page

#### TABLE DES MATIÈRES

\*\*\*\*\*

- Avertissements de sécurité générales.....2-3
- Avertissements de sécurité relatifs pistolet graisseur ..... 4
- Symboles.....5
- Caractéristiques .....6
- Assemblage.....6
- Utilisation .....6-9
- Entretien ..... 10
- Illustrations .....11-13
- Commande de pièces et dépannage .....Page arrière

#### ÍNDICE DE CONTENIDO

\*\*\*\*\*

- Advertencias de seguridad generales ..... 2-3
- Advertencias de seguridad pistola de engrase .....4
- Símbolos.....5
- Características.....6
- Armado .....6
- Funcionamiento ..... 6-9
- Mantenimiento.....10
- Ilustraciones..... 11-13
- Pedidos de piezas y servicio .....Pág. posterior

**WARNING:** To reduce the risk of injury, the user must read and understand the operator's manual before using this product.

**AVERTISSEMENT :** Pour réduire les risques de blessures, l'utilisateur doit lire et veiller à bien comprendre le manuel d'utilisation avant d'employer ce produit.

**ADVERTENCIA:** Para reducir el riesgo de lesiones, el usuario debe leer y comprender el manual del operador antes de usar este producto.

**SAVE THIS MANUAL FOR FUTURE REFERENCE**

**CONSERVER CE MANUEL POUR FUTURE RÉFÉRENCE**

**GUARDE ESTE MANUAL PARA FUTURAS CONSULTAS**

# GENERAL POWER TOOL SAFETY WARNINGS



## WARNING

**Read all safety warnings, instructions, illustrations and specifications provided with this power tool.**

Failure to follow all instructions listed below may result in electric shock, fire and/or serious injury.

**Save all warnings and instructions for future reference.**

The term “power tool” in the warnings refers to your mains-operated (corded) power tool or battery-operated (cordless) power tool.

## WORK AREA SAFETY

- **Keep work area clean and well lit.** Cluttered or dark areas invite accidents.
- **Do not operate power tools in explosive atmospheres, such as in the presence of flammable liquids, gases or dust.** Power tools create sparks which may ignite the dust or fumes.
- **Keep children and bystanders away while operating a power tool.** Distractions can cause you to lose control.

## ELECTRICAL SAFETY

- **Power tool plugs must match the outlet. Never modify the plug in any way. Do not use any adapter plugs with earthed (grounded) power tools.** Unmodified plugs and matching outlets will reduce risk of electric shock.
- **Avoid body contact with earthed or grounded surfaces, such as pipes, radiators, ranges and refrigerators.** There is an increased risk of electric shock if your body is earthed or grounded.
- **Do not expose power tools to rain or wet conditions.** Water entering a power tool will increase the risk of electric shock.
- **Do not abuse the cord. Never use the cord for carrying, pulling or unplugging the power tool. Keep cord away from heat, oil, sharp edges or moving parts.** Damaged or entangled cords increase the risk of electric shock.
- **When operating a power tool outdoors, use an extension cord suitable for outdoor use.** Use of a cord suitable for outdoor use reduces the risk of electric shock.

- **If operating a power tool in a damp location is unavoidable, use a ground fault circuit interrupter (GFCI) protected supply.** Use of a GFCI reduces the risk of electric shock.
- **Use battery only with charger listed.** For use with 18V 18V lithium-ion battery packs, see tool/appliance/battery pack/charger correlation supplement 987000-432.

## PERSONAL SAFETY

- **Stay alert, watch what you are doing and use common sense when operating a power tool. Do not use a power tool while you are tired or under the influence of drugs, alcohol or medication.** A moment of inattention while operating power tools may result in serious personal injury.
- **Use personal protective equipment. Always wear eye protection.** Protective equipment such as dust mask, non-skid safety shoes, hard hat, or hearing protection used for appropriate conditions will reduce personal injuries.
- **Prevent unintentional starting. Ensure the switch is in the off-position before connecting to power source and/or battery pack, picking up or carrying the tool.** Carrying power tools with your finger on the switch or energizing power tools that have the switch on invites accidents.
- **Remove any adjusting key or wrench before turning the power tool on.** A wrench or a key left attached to a rotating part of the power tool may result in personal injury.
- **Do not overreach. Keep proper footing and balance at all times.** This enables better control of the power tool in unexpected situations.
- **Dress properly. Do not wear loose clothing or jewelry. Keep your hair, clothing and gloves away from moving parts.** Loose clothes, jewelry or long hair can be caught in moving parts.
- **If devices are provided for the connection of dust extraction and collection facilities, ensure these are connected and properly used.** Use of dust collection can reduce dust-related hazards.

# GENERAL POWER TOOL SAFETY WARNINGS

- **Do not let familiarity gained from frequent use of tools allow you to become complacent and ignore tool safety principles.** A careless action can cause severe injury within a fraction of a second.
- **Do not wear loose clothing or jewelry.** Contain long hair. Loose clothes, jewelry, or long hair can be drawn into air vents.
- **Do not use on a ladder or unstable support.** Stable footing on a solid surface enables better control of the power tool in unexpected situations.

## POWER TOOL USE AND CARE

- **Do not force the power tool. Use the correct power tool for your application.** The correct power tool will do the job better and safer at the rate for which it was designed.
- **Do not use the power tool if the switch does not turn it on and off.** Any power tool that cannot be controlled with the switch is dangerous and must be repaired.
- **Disconnect the plug from the power source and/or remove the battery pack, if detachable, from the power tool before making any adjustments, changing accessories, or storing power tools.** Such preventive safety measures reduce the risk of starting the power tool accidentally.
- **Store idle power tools out of the reach of children and do not allow persons unfamiliar with the power tool or these instructions to operate the power tool.** Power tools are dangerous in the hands of untrained users.
- **Maintain power tools and accessories. Check for misalignment or binding of moving parts, breakage of parts and any other condition that may affect the power tool's operation. If damaged, have the power tool repaired before use.** Many accidents are caused by poorly maintained power tools.
- **Keep cutting tools sharp and clean.** Properly maintained cutting tools with sharp cutting edges are less likely to bind and are easier to control.
- **Use the power tool, accessories and tool bits etc. in accordance with these instructions, taking into account the working conditions and the work to be performed.** Use of the power tool for operations different from those intended could result in a hazardous situation.

- **Keep handles and grasping surfaces dry, clean and free from oil and grease.** Slippery handles and grasping surfaces do not allow for safe handling and control of the tool in unexpected situations.

## BATTERY TOOL USE AND CARE

- **Recharge only with the charger specified by the manufacturer.** A charger that is suitable for one type of battery pack may create a risk of fire when used with another battery pack.
- **Use power tools only with specifically designated battery packs.** Use of any other battery packs may create a risk of injury and fire.
- **When battery pack is not in use, keep it away from other metal objects, like paper clips, coins, keys, nails, screws or other small metal objects, that can make a connection from one terminal to another.** Shorting the battery terminals together may cause burns or a fire.
- **Under abusive conditions, liquid may be ejected from the battery; avoid contact. If contact accidentally occurs, flush with water. If liquid contacts eyes, additionally seek medical help.** Liquid ejected from the battery may cause irritation or burns.
- **Do not use a battery pack or tool that is damaged or modified.** Damaged or modified batteries may exhibit unpredictable behavior resulting in fire, explosion, or risk of injury.
- **Do not expose a battery pack or tool to fire or excessive temperature.** Exposure to fire or temperature above 265° F may cause explosion.
- **Follow all charging instructions and do not charge the battery pack or tool outside the temperature range specified in the instructions.** Charging improperly or at temperatures outside the specified range may damage the battery and increase the risk of fire.

## SERVICE




- **Have your power tool serviced by a qualified repair person using only identical replacement parts.** This will ensure that the safety of the power tool is maintained.
- **Never service damaged battery packs.** Service of battery packs should only be performed by the manufacturer or authorized service providers.

# GREASE GUN SAFETY WARNINGS









- **Know your grease gun.** Read operator's manual carefully. Learn its applications and limitations, as well as the specific potential hazards related to this tool. Following this rule will reduce the risk of electric shock, fire, or serious injury.
- **Routinely make a visual inspection of the hose, purge valve, grease coupler, and other components of the grease gun before and during use.** Worn or damaged components can develop a high pressure leak and result in a possible injection or other serious personal injury.
- **Do not bend or kink the hose as this can cause it wear prematurely.** Worn hoses may leak or burst during use.
- **Before each use check hose for kinks, signs of damage from previous kinks, and weak or worn places.** If the hose is damaged, stop using the grease gun and replace the hose immediately.
- **Do not attempt to pull or carry the grease gun by the hose.**
- **Only use grease recommended in this operator's manual.** Use of any other grease may create a hazard or cause product damage.
- **To reduce the risk of injection wear gloves during use, hold the high pressure hose by the spring guard, and keep away from the exposed rubber portions of the hose.** In case of skin injection, seek medical attention immediately. Do not treat as a simple cut.
- **Always be aware that misuse and improper handling of grease or this tool can cause injury to yourself and others.**
- **DANGER:** Certain greases and their vapors can be flammable. To prevent serious personal injury and property damage, handle grease with care. Keep away from ignition sources, handle outdoors only, do not smoke while loading grease, and wipe up spills immediately.
- **WARNING:** This grease gun is designed to generate high pressure (up to 10,000 psi). Pressurized grease can be dangerous if subject to misuse. Grease must not be directed at persons, animals, electrical devices, or the tool itself.
- **Always follow all safety rules recommended by the manufacturer of your grease gun, in addition to all safety rules for the grease being used.** Following this rule will reduce the risk of serious personal injury.
- **Before applying grease to machinery, turn the machine off and wait for all moving parts to stop.** Do not apply grease to machines while they are still in operation or while parts are still in motion. Failure to follow these instructions can result in serious personal injury or property damage.
- **Do not charge battery tool in a damp or wet location. Do not use, store, or charge battery packs or products in locations where the temperature is less than 50°F or more than 100°F.** Do not store outside or in vehicles.
- **Save these instructions.** Refer to them frequently and use them to instruct others who may use this tool. If you loan someone this tool, loan them these instructions also.

# SYMBOLS

The following signal words and meanings are intended to explain the levels of risk associated with this product.

SYMBOL	SIGNAL	MEANING
	<b>DANGER:</b>	Indicates a hazardous situation, which, if not avoided, will result in death or serious injury.
	<b>WARNING:</b>	Indicates a hazardous situation, which, if not avoided, could result in death or serious injury.
	<b>CAUTION:</b>	Indicates a hazardous situation, that, if not avoided, may result in minor or moderate injury.
	<b>NOTICE:</b>	(Without Safety Alert Symbol) Indicates information considered important, but not related to a potential injury (e.g. messages relating to property damage).

Some of the following symbols may be used on this product. Please study them and learn their meaning. Proper interpretation of these symbols will allow you to operate the product better and safer.

SYMBOL	NAME	DESIGNATION/EXPLANATION
	Safety Alert	Indicates a potential personal injury hazard.
	Read Operator's Manual	To reduce the risk of injury, user must read and understand operator's manual before using this product.
	Eye Protection	Always wear eye protection with side shields marked to comply with ANSI Z87.1.
	Wet Conditions Alert	Do not expose to rain or use in damp locations.
	Risk of Injections	To reduce the risk of injection or injury, never direct grease towards people or pets or place grease directly on any part of your body. Leaking hoses and fittings are also capable of causing injection injury. Do not touch the exposed rubber portions of the hose.
	Risk of Explosion	Handle and store grease with care. Certain greases and their vapors are explosive and can cause severe burns or death.
	Risk of Fire	Do not add grease to machinery while it is in operation or still hot. Fire can cause severe burns or death.
	Recycle Symbol	This product uses lithium-ion (Li-ion) batteries. Local, state or federal laws may prohibit disposal of batteries in ordinary trash. Consult your local waste authority for information regarding available recycling and/or disposal options.
V	Volts	Voltage
min	Minutes	Time
—	Direct Current	Type or a characteristic of current
.../min	Per Minute	Revolutions, strokes, surface speed, orbits etc., per minute

# FEATURES

## PRODUCT SPECIFICATIONS

Grease Type.....	Up to NLGI #2	Cartridge Size.....	13.7 - 14.5 oz.
Hose Length.....	30 in.	Flow Rate .....	7.5 oz./min
Maximum Pressure.....	10,000 PSI	Grease Capacity.....	16 oz. bulk or 14.5 oz. cartridge
Bulk Fill Port .....	1/8 in. NPT		

# ASSEMBLY

### **WARNING:**

Do not use this product if it is not completely assembled or if any parts appear to be missing or damaged. Use of a product that is not properly and completely assembled or with damaged or missing parts could result in serious personal injury.

### **WARNING:**

Do not attempt to modify this product or create accessories or attachments not recommended for use with this product. Any such alteration or modification is misuse and could result in a hazardous condition leading to possible serious personal injury.

If any parts are damaged or missing, please call 1-800-525-2579 for assistance.

# OPERATION

### **WARNING:**

Do not allow familiarity with this product to make you careless. Remember that a careless fraction of a second is sufficient to inflict serious injury.

### **WARNING:**

Use safety equipment. Protect your eyes, skin, and lungs while handling, loading, dispensing, and removing grease. Failure to do so may result in serious personal injury.

### **WARNING:**

Always remove battery pack from the tool when you are assembling parts, making adjustments, cleaning, or when not in use. Removing battery pack will prevent accidental starting that could cause serious personal injury.

## APPLICATIONS

You may use this product for the purposes listed below:

- Lubricate grease fittings and other components on vehicles, factory equipment, and other machinery.

## INSTALLING/REMOVING BATTERY PACK

See Figure 1, page 11.

### To install:

- Lock the switch trigger by sliding the lock-off button into the locked position.
- Insert the battery pack into the product as shown.
- Make sure the latches on each side of the battery pack snap in place and that battery pack is secured in the product before beginning operation.

### **WARNING:**

Always wear eye protection with side shields marked to comply with ANSI Z87.1. Failure to do so could result in objects being thrown into your eyes and other possible serious injuries.

### To remove:

- Lock the switch trigger by sliding the lock-off button into the locked position.
- Depress the latches to remove the battery pack.

### **WARNING:**

Do not use any attachments or accessories not recommended by the manufacturer of this product. The use of attachments or accessories not recommended can result in serious personal injury.

For complete charging instructions, see the operator's manuals for your battery pack and charger.

# OPERATION

## TURNING THE GREASE GUN ON/OFF

See Figure 2, page 11.

The lock-off button, located on the handle above the switch trigger, reduces the possibility of accidental starting.

- **To turn the tool on:** Slide lock-off button to the unlocked position, and press the switch trigger.
- **To turn the tool off:** Release the switch trigger and return the lock-off button to the locked position.

### CAUTION:

The lock-off button should be in the locked position when the tool is not in use or is being transported.

## LED LIGHT

See Figure 3, page 11.

The LED light, located on the front of the tool base, illuminates when the switch trigger is depressed.

After the switch trigger is released, the LED light will remain on for approximately 15 seconds before shutting off.

The LED light illuminates only when there is a charged battery pack in the tool.

## UNDERSTANDING NLGI RATINGS

NLGI ratings are used to express the thickness or fluidity of grease. The higher the rating, the thicker the grease. This grease gun is capable of handling grease with a thickness rated up to NLGI #2. Grease with an NLGI #2 rating has a consistency similar to peanut butter.

NLGI No.	Consistency
000	Very fluid; similar to cooking oil
00	Somewhat fluid; similar to applesauce
0	Very soft; similar to mayonnaise
1	Somewhat soft; similar to toothpaste
2	Creamy; similar to peanut butter

### CAUTION:

Do not load grease rated higher than NLGI #2. Doing so could cause the grease gun to stall, damage the pressure-carrying components of the tool, and/or create a bursting hazard.

### WARNING:

Always follow the grease manufacturer's instructions printed on their product labeling for use, cleaning, and storage. Clean grease tube thoroughly after each use. Grease should be stored out of the reach of children. Failure to do so may result in serious personal injury.

## LOADING A GREASE CARTRIDGE

See Figures 4 - 5, page 12.

- Lock the switch trigger in the "off" position and remove the battery pack.
- Turn the grease tube counterclockwise to loosen and remove.
- Pull the spring-loaded grease tube handle completely out. Then move it to the side into the narrow slot to lock it into place.

**NOTE:** Make sure the grease tube handle is locked in place before adding the grease cartridge.

- Use a clean dry cloth to remove any old grease from inside the tube.
- Remove the plastic end cap from the bottom of a 13.7 - 14.5 oz. grease cartridge (not included).
- Insert the grease cartridge (not included) into the grease tube with the bottom facing the grease tube handle.
- Remove the seal from the front of the grease cartridge (not included).
- Place the grease tube back onto the grease gun and rotate clockwise to secure.

**NOTE:** Be careful to avoid cross-threading, which can cause the grease tube to leak during use.

- Grab the grease tube handle and move it away from the narrow slot.
- Slowly allow the grease tube handle to move forward and into the grease tube.

**NOTE:** After the cartridge is loaded, use the purge valve to purge any air trapped in the grease tube. For more details, see **Using the Purge Valve** later in the manual.

### To remove an empty grease cartridge:

- Lock the switch trigger in the "off" position and remove the battery pack.
- Pull the spring-loaded grease tube handle completely out. Then move it to the side into the narrow slot to lock it into place.

**NOTE:** Make sure the grease tube handle is locked in place before removing the grease tube.

# OPERATION

- Turn the grease tube counterclockwise to loosen and remove.
- With the grease tube pointed up, grab the grease tube handle and move it away from the narrow slot.
- Slowly allow the grease tube handle to move forward and eject the grease cartridge (not included).

## LOADING GREASE FROM A BULK CONTAINER

See Figures 6 - 9, page 12.

The grease gun can be loaded from a bulk container either directly or through a filler pump.

### To load directly from a bulk container:

- Lock the switch trigger in the “off” position and remove the battery pack.
- Turn the grease tube counterclockwise to loosen and remove.
- Hold the grease tube firmly and turn the plunger assembly counterclockwise to loosen.
- Remove the plunger assembly from the grease tube.
- Use a clean dry cloth to remove any old grease from inside the tube.
- Slide the plunger assembly back into the grease tube and rotate clockwise to secure.
- With the grease tube handle pushed all the way in, submerge the open end of the grease tube into the bulk container.
- Slowly pull the spring-loaded grease tube handle completely out to suction grease into the tube. Then move it to the side into the narrow slot to lock it into place.

**NOTE:** To prevent air pockets from forming inside the grease tube, keep the open end of the tube completely submerged and away from the surface.

- Remove the grease tube from the bulk container.
- Use a clean dry cloth to remove excess grease.
- Place the grease tube back onto the grease gun and rotate clockwise to secure.

**NOTE:** Be careful to avoid cross-threading, which can cause the grease tube to leak during use.

- Grab the grease tube handle and move it away from the narrow slot.
- Slowly allow the grease tube handle to move forward and into the grease tube.

**NOTE:** After the grease is loaded, use the purge valve to purge any air trapped in the grease tube. For more details, see **Using the Purge Valve** later in the manual.

### To load from a bulk container using a filler pump and low pressure coupler:

- Lock the switch trigger in the “off” position and remove the battery pack.
- Turn the grease tube counterclockwise to loosen and remove.
- Remove the plunger assembly as described earlier.
- Use a clean dry cloth to remove any old grease from inside the tube.
- Connect the plunger assembly to the grease tube.
- Place the grease tube back onto the grease gun and rotate clockwise to secure.

**NOTE:** Be careful to avoid cross-threading, which can cause the grease tube to leak during use.

- Locate the fill plug near the base of the tool.
- Using a hex wrench, loosen and remove the fill plug from the bulk fill port. Store the fill plug for later use.
- Install a 1/8 in. low pressure coupler (not provided) into the fill port.

**NOTE:** Ensure that the coupler (not provided) is compatible with the grease gun and the filler pump (not provided). If the coupler is not compatible or if it fits improperly, the grease may not load correctly.

### **WARNING:**

NEVER install a high pressure coupler into the bulk fill port. Using the wrong type of coupler could allow too much pressure to build inside the grease gun. Excessive pressure could cause parts of the tool to leak or burst and can lead to serious personal injury.

- Slowly pull the grease tube handle out while rotating it counterclockwise to disengage it from the rest of the plunger assembly.

**NOTE:** Do not move the handle inside of the narrow slot.

- Once the handle is disengaged, gently move it back into the grease tube.
- Attach the low pressure coupler (not provided) on the grease gun to the low pressure coupler on the filler pump (not provided).

**NOTE:** The couplers are designed to fit loosely together and are not meant to form a tight seal. This design prevents the grease gun from being overfilled.

- Using the filler pump (not provided), load grease into the unit until the grease tube handle extends about 8 in.

**NOTE:** If the handle does not extend, it may not be disengaged from the rest of the plunger assembly. Disengage the handle and try again.



# OPERATION

- Slowly rotate the grease tube handle clockwise until it engages the rest of the plunger assembly.
- Disconnect the grease gun from the filler pump (not provided).
- Tilt the grease gun upward to avoid spillage, then replace the coupler (not provided) with the fill plug.
- Use a clean dry cloth to remove excess grease.
- Slowly allow the grease tube handle to move forward and into the grease tube.

**NOTE:** After the grease is loaded, use the purge valve to purge any air trapped in the grease tube. For more details, see **Using the Purge Valve** later in the manual.

## OPERATING THE GREASE GUN

See Figure 10, page 13.

This tool is shipped from the factory with residual grease in the grease tube and high pressure hose. Before first use and whenever you are switching types of grease, load the tool with the grease of your choice, point the grease coupler towards an approved grease container, and run the tool until the old grease is expelled and the new grease begins to flow out.

### WARNING:

Do not direct grease toward hands, eyes, or other body parts. Failure to follow this rule can result in pressurized grease being injected into your skin or eyes resulting in infection or serious personal injury.

### WARNING:

To reduce the risk of fire, do not add grease to machinery while it is in operation or still hot. Fire could result in death or serious injury.

- Load grease as described earlier in the manual.
- Install the battery pack.
- Hold the grease gun near the object being lubricated or sit it on its base in a stable location.
- Grasp the high pressure hose by the spring guard and remove it from the hose clips.

### WARNING:

Hold the high pressure hose by the spring guard and keep hands away from the exposed rubber portions of the hose. Following this rule will reduce the risk of injection.

- Connect the grease coupler to the fitting or component being lubricated.

**NOTE:** Gently pull on the grease coupler to make sure it is secure. If it does not hold on to the fitting or component, the coupler could be damaged and may need to be replaced.

- Slide lock-off button to the unlocked position, and press the switch trigger to start the flow of grease.

### WARNING:

During operation, check the high pressure hose, grease coupler, purge valve and other components of the tool for leaks. If a leak is present, stop the grease gun immediately and discontinue use until the leak has been fixed. Leaking hoses and fittings are capable of causing injection injury.

- The tool should provide a continuous flow of grease while the switch trigger is depressed. If the grease gun fails to pump grease, pockets of air may be present in the grease tube. Use the purge valve to purge any air trapped in the tube. For more details, see **Using the Purge Valve** later in the manual.

- When the job is complete, release the switch trigger and remove the coupler.

**NOTE:** If the coupler is difficult to remove, move it side to side to remove any residual pressure and try again.

- Before storing the tool, lock the switch trigger in the “off” position and remove the battery pack.

## USING THE PURGE VALVE

See Figure 11, page 13.

The presence of air inside the grease tube can cause the grease gun to stall or stop during operation. Use the purge valve to purge this air from the system after loading grease or as needed during operation.

- Lock the switch trigger in the “off” position and remove the battery pack.
- Loosen but do not remove the purge valve to allow trapped air to escape.
- Tighten the purge valve.
- Install the battery pack.
- Grasp the high pressure hose by the spring guard and remove it from the hose clips.
- Point the grease coupler towards an approved grease container.
- Slide lock-off button to the unlocked position, and press the switch trigger to start the flow of grease.
- If the grease gun continues to stall and grease does not flow, repeat these steps.

# MAINTENANCE

## **WARNING:**

When servicing, use only identical replacement parts. Use of any other parts can create a hazard or cause product damage.

## **WARNING:**

Always wear eye protection with side shields marked to comply with ANSI Z87.1. Failure to do so could result in objects being thrown into your eyes resulting in possible serious injury.

## GENERAL MAINTENANCE

Avoid using solvents when cleaning plastic parts. Most plastics are susceptible to damage from various types of commercial solvents and may be damaged by their use. Use clean cloths to remove dirt, dust, oil, grease, etc.

## **WARNING:**

Do not at any time let brake fluids, gasoline, petroleum based products, penetrating oils, etc., come in contact with plastic parts. Chemicals can damage, weaken or destroy plastic which can result in serious personal injury.

## CLEANING THE CHECK VALVE AREA

See Figure 12, page 13.

If grease does not flow freely when the switch trigger is depressed, contaminants may be clogging the check valve area. **To clean the check valve area:**

- Lock the switch trigger in the “off” position and remove the battery pack.
- Remove the check valve bolt, washer, spring, and ball from the check valve area.
- Use a clean dry cloth to remove grease and contaminants from the bolt, washer, spring, ball, and check valve area.
- Reinstall the ball, spring, washer, and check valve bolt. Tighten the bolt to secure.

## STORING THE GREASE GUN

- Lock the switch trigger in the “off” position and remove the battery pack.
- Remove the grease tube.
- Discard grease cartridge (if applicable) and remove any old grease from inside the tube.
- Reinstall the grease tube.
- Install battery pack, point the grease coupler towards an approved grease container, and run the tool until all the grease is expelled.
- Lock the switch trigger in the “off” position and remove the battery pack.
- Store the unit, accessories, and grease in an area that does not reach freezing temperatures. Do not store near furnace or other sources of heat that could dry out the pump, high pressure hose, or other components. Keep out of the reach of children.

**NOTE: ILLUSTRATIONS START ON PAGE 11  
AFTER FRENCH AND SPANISH LANGUAGE SECTIONS.**

# AVERTISSEMENTS DE SÉCURITÉ GÉNÉRALES RELATIVES AUX OUTILS ÉLECTRIQUES



## AVERTISSEMENT

**Lire les avertissements de sécurité, les instructions et les précisions et consulter les illustrations fournis avec cet outil électrique.** Le fait de ne pas se conformer à l'ensemble des consignes présentées ci-dessous risque d'entraîner des décharges électriques, un incendie et/ou des blessures graves.

**Conserver les avertissements et les instructions à des fins de référence ultérieure.** Le terme « outil électrique », utilisé dans tous les avertissements ci-dessous désigne tout outil fonctionnant sur secteur (câblé) ou sur piles (sans fil).

## SÉCURITÉ DU LIEU DE TRAVAIL

- **Garder le lieu de travail propre et bien éclairé.** Les endroits encombrés ou sombres sont propices aux accidents.
- **Ne pas utiliser d'outils électriques dans des atmosphères explosives, par exemple en présence de liquides, gaz ou poussières inflammables.** Les outils électriques produisent des étincelles risquant d'enflammer les poussières ou vapeurs.
- **Garder les enfants et badauds à l'écart pendant l'utilisation d'un outil électrique.** Les distractions peuvent causer une perte de contrôle.

## SÉCURITÉ ÉLECTRIQUE

- **Les fiches des outils électriques doivent correspondre à la prise secteur utilisée. Ne jamais modifier la fiche, de quelque façon que ce soit. Ne jamais utiliser d'adaptateurs de fiche avec des outils mis à la terre.** Les fiches et prises non modifiées réduisent le risque de choc électrique.
- **Éviter tout contact du corps avec des surfaces mises à la terre, telles que tuyaux, radiateurs, cuisinières et réfrigérateurs.** Le risque de choc électrique est accru lorsque le corps est mis à la terre.
- **Ne pas exposer les outils électriques à l'eau ou l'humidité.** La pénétration d'eau dans ces outils accroît le risque de choc électrique.
- **Ne pas maltraiter le cordon d'alimentation. Ne jamais utiliser le cordon d'alimentation pour transporter l'outil et ne jamais débrancher ce dernier en tirant sur le cordon. Garder le cordon à l'écart de la chaleur, de l'huile, des objets tranchants et des pièces en mouvement.** Un cordon endommagé ou emmêlé accroît le risque de choc électrique.

- **Pour les travaux à l'extérieur, utiliser un cordon spécialement conçu à cet effet.** Utiliser un cordon conçu pour l'usage extérieur pour réduire les risques de choc électrique.
- **S'il est nécessaire d'utiliser l'outil électrique dans un endroit humide, employer un dispositif interrupteur de défaut à la terre (GFCI).** L'utilisation d'un GFCI réduit le risque de décharge électrique.
- **Ne recharger les piles qu'avec l'appareil indiqué.** Pour utiliser l'appareil avec des piles au lithium-ion de 18 V, consulter le supplément de raccordement pour chargeur/outils/piles/appareil n° 987000-432.

## SÉCURITÉ PERSONNELLE

- **Rester attentif, prêter attention au travail et faire preuve de bon sens lors de l'utilisation de tout outil électrique. Ne pas utiliser cet outil en état de fatigue ou sous l'influence de l'alcool, de drogues ou de médicaments.** Un moment d'inattention pendant l'utilisation d'un outil électrique peut entraîner des blessures graves.
- **Utiliser l'équipement de sécurité. Toujours porter une protection oculaire.** L'équipement de sécurité, tel qu'un masque filtrant, de chaussures de sécurité, d'un casque ou d'une protection auditive, utilisé dans des conditions appropriées réduira le risque de blessures.
- **Éviter les démarrages accidentels. S'assurer que le commutateur est en position d'arrêt avant de brancher l'outil.** Porter un outil avec le doigt sur son commutateur ou brancher un outil dont le commutateur est en position de marche peut causer un accident.
- **Retirer les clés de réglage avant de mettre l'outil en marche.** Une clé laissée sur une pièce rotative de l'outil peut causer des blessures.
- **Ne pas travailler hors de portée. Toujours se tenir bien campé et en équilibre.** Ceci permettra de mieux contrôler l'outil en cas de situation imprévue.
- **Porter une tenue appropriée. Ne porter ni vêtements amples, ni bijoux. Garder les cheveux, les vêtements et les gants à l'écart des pièces en mouvement.** Les vêtements amples, bijoux et cheveux longs peuvent se prendre dans les pièces en mouvement.
- **Si les outils sont équipés de dispositifs de dépoussiérage, s'assurer qu'ils sont connectés et correctement utilisés.** L'usage de ces dispositifs de dépoussiérage peut réduire les dangers présentés par la poussière.

# AVERTISSEMENTS DE SÉCURITÉ GÉNÉRALES RELATIVES AUX OUTILS ÉLECTRIQUES

- **Malgré votre expérience acquise par l'utilisation fréquente des outils, soyez toujours vigilant et respectez les principes de sécurité relatifs aux outils.** Il s'agit d'une fraction de seconde pour qu'un geste irréfléchi puisse causer de graves blessures.
- **Ne porter ni vêtements amples, ni bijoux. Attacher ou couvrir les cheveux longs.** Les vêtements amples, bijoux et cheveux longs peuvent se prendre dans les ouïes d'aération.
- **Ne pas utiliser l'outil sur une échelle ou un support instable.** Une bonne tenue et un bon équilibre permettent de mieux contrôler l'outil en cas de situation imprévue.

## UTILISATION ET ENTRETIEN DES OUTILS ÉLECTRIQUES

- **Ne pas forcer l'outil. Utiliser l'outil approprié pour l'application.** Un outil approprié exécutera le travail mieux et de façon moins dangereuse s'il est utilisé dans les limites prévues.
- **Ne pas utiliser l'outil si le commutateur ne permet pas de le mettre en marche ou de l'arrêter.** Tout outil qui ne peut pas être contrôlé par son commutateur est dangereux et doit être réparé.
- **Débrancher l'outil et/ou retirer le bloc-piles avant d'effectuer des réglages, de changer d'accessoire ou de remiser l'outil.** Ces mesures de sécurité préventives réduisent les risques de démarrage accidentel de l'outil.
- **Ranger les outils motorisés hors de la portée des enfants et ne laisser personne n'étant pas familiarisé avec l'outil ou ces instructions utiliser l'outil.** Dans les mains de personnes n'ayant pas reçu des instructions adéquates, les outils sont dangereux.
- **Entretenir les outils électriques et accessoires. Vérifier qu'aucune pièce mobile n'est mal alignée ou bloquée, qu'aucune pièce n'est brisée et s'assurer qu'aucun autre problème ne risque d'affecter le bon fonctionnement de l'outil. En cas de dommages faire réparer l'outil avant de l'utiliser de nouveau.** Beaucoup d'accidents sont causés par des outils mal entretenus.
- **Garder les outils bien affûtés et propres.** Des outils correctement entretenus et dont les tranchants sont bien affûtés risquent moins de se bloquer et sont plus faciles à contrôler.
- **Utiliser l'outil, les accessoires et embouts, etc. conformément à ces instructions pour les applications pour lesquelles ils sont conçus, en tenant compte des conditions et du type de travail à exécuter.** L'usage d'un outil motorisé pour des applications pour lesquelles il n'est pas conçu peut être dangereux.
- **Gardez les poignées et les surfaces de prise sèches, propres et exemptes d'huile et de graisse.** Des poignées et des surfaces de prise glissantes empêchent la manipulation et le contrôle sécuritaires de l'outil dans des circonstances imprévues.

## UTILISATION ET ENTRETIEN DE LA PILE

- **Ne recharger qu'avec l'appareil spécifié par le fabricant.** Un chargeur approprié pour un type de pile peut créer un risque d'incendie s'il est utilisé avec un autre type de pile.
- **Utiliser exclusivement le bloc-pile spécifiquement indiqué pour l'outil.** L'usage de tout autre bloc peut créer un risque de blessures et d'incendie.
- **Lorsque le bloc-piles n'est pas en usage, le garder à l'écart d'articles tels qu'attaches trombones, pièces de monnaie, clous, vis ou autres petits objets métalliques risquant d'établir le contact entre les deux bornes.** La mise en court-circuit des bornes de piles peut causer des étincelles, des brûlures ou un incendie.
- **En cas d'usage abusif, du liquide peut s'échapper des piles. Éviter tout contact avec ce liquide. En cas de contact accidentel, rincer immédiatement les parties atteintes avec de l'eau. En cas d'éclaboussure dans les yeux consulter un médecin.** Le liquide s'échappant des piles peut causer des irritations ou des brûlures.
- **Ne pas utiliser un bloc-piles ou un outil endommagé ou modifié.** Les piles endommagées ou modifiées peuvent produire un comportement imprévisible pouvant provoquer un incendie, une explosion ou des blessures.
- **Ne pas exposer le bloc-piles ou l'outil près d'un incendie ou à une température extrême.** L'exposition à un incendie ou à une température supérieure à 130 °C (265 °F) représente un risque d'explosion.
- **Suivre toutes les instructions afférentes à la recharge et ne pas recharger le bloc-piles ou l'outil hors des températures spécifiées dans les instructions.** Une recharge incorrecte ou hors des températures spécifiées peut endommager la pile et augmenter les risques de feu.

## DÉPANNAGE




- **Les réparations doivent être confiées à un technicien qualifié, utilisant exclusivement des pièces identiques à celles d'origine.** Ceci assurera le maintien de la sécurité de l'outil.
- **Ne réparez jamais de blocs-piles endommagés.** Seuls le fabricant et les fournisseurs de service autorisés doivent effectuer la réparation ou l'entretien des blocs-piles.

# AVERTISSEMENTS DE SÉCURITÉ RELATIFS AU PISTOLET GRAISSEUR









- **Connaître le pistolet graisseur.** Lire attentivement le manuel d'utilisation. Apprendre les applications et les limites de l'outil, ainsi que les risques spécifiques relatifs à son utilisation. Le respect de cette consigne réduira les risques d'incendie, de choc électrique et de blessures graves.
- **Effectuer périodiquement une inspection visuelle du tuyau, de la soupape de purge, du coupleur à graisse et des autres composants du pistolet graisseur avant et pendant l'utilisation.** Les composants usés ou endommagés peuvent développer une fuite de haute pression et entraîner une injection possible ou d'autres blessures graves.
- **Ne pas plier ou entortiller le tuyau, car cela peut l'user prématurément.** Les tuyaux usés peuvent fuir ou éclater pendant l'utilisation.
- **Avant chaque utilisation, vérifier si le tuyau est entortillé, s'il est endommagé à cause d'un entortillement précédent et s'il affiche des zones faibles ou usées.** Si le tuyau est endommagé, arrêter d'utiliser le pistolet graisseur et remplacer immédiatement le tuyau.
- **Ne pas tenter de tirer ou transporter le pistolet graisseur par le tuyau.**
- **Employer uniquement la graisse recommandée dans le présent manuel d'utilisation.** L'utilisation de toute autre graisse peut créer un risque ou endommager le produit.
- **Afin de réduire le risque d'injection, porter des gants pendant l'utilisation, tenir le tuyau haute pression par le ressort de protection et se tenir loin des parties en caoutchouc exposées du tuyau.** En cas d'injection sur la peau, obtenir des soins médicaux sans délai. Ne pas traiter la blessure comme une simple coupure.
- **Avoir toujours conscience qu'une mauvaise utilisation et une manipulation inadéquate de la graisse ou de l'outil peuvent vous blesser et blesser les autres.**
- **DANGER :** Certaines graisses et leurs vapeurs peuvent être inflammables. Pour éviter les blessures graves et les dommages matériels, manipuler la graisse avec précaution. Tenir à l'écart des sources d'inflammation, manipuler seulement à l'extérieur, ne pas fumer lors du chargement de la graisse et nettoyer immédiatement les déversements.
- **AVERTISSEMENT :** Ce pistolet graisseur est conçu pour générer une haute pression (jusqu'à 10 000,00 PSI). La graisse sous pression peut être dangereuse si elle est mal utilisée. Il ne faut pas orienter la graisse vers les personnes, les animaux, les appareils électriques ou l'outil même.
- **Toujours respecter toutes les règles de sécurité recommandées par le fabricant en ce qui concerne le pistolet graisseur, en plus de toutes les règles de sécurité relatives à la graisse utilisée.** Le respect de cette consigne réduira le risque de blessures graves.
- **Avant d'appliquer la graisse sur une machine, arrêter la machine et attendre que toutes les pièces en mouvement ne bougent plus.** Ne pas graisser une machine lorsqu'elle fonctionne toujours ou quand les pièces sont encore en mouvement. Le non-respect de ces instructions peut entraîner des blessures graves ou des dégâts matériels.
- **Ne pas recharger un outil fonctionnant sur piles dans un endroit humide ou mouillé. Ne pas utiliser, remiser ou charger le bloc-piles ou produits dans des emplacements où la température est inférieure 10 °C (50 °F) à ou supérieure à 38 °C (100 °F).** Ne pas ranger l'outil à l'extérieur ou dans un véhicule.
- **Conserver ces instructions.** Les consulter fréquemment et les utiliser pour instruire les autres utilisateurs éventuels. Si cet outil est prêt, il doit être accompagné de ces instructions.

# SYMBOLES

Les termes de mise en garde suivants et leur signification ont pour but d'expliquer le degré de risques associé à l'utilisation de ce produit.

SYMBOLE	SIGNAL	SIGNIFICATION
	<b>DANGER :</b>	Indique une situation dangereuse qui, si elle n'est pas évitée, aura pour conséquences des blessures graves ou mortelles.
	<b>AVERTISSEMENT :</b>	Indique une situation dangereuse qui, si elle n'est pas évitée, pourrait entraîner des blessures graves ou mortelles.
	<b>ATTENTION :</b>	Indique une situation dangereuse qui, si elle n'est pas évitée, pourrait entraîner des blessures légères ou de gravité modérée.
	<b>AVIS :</b>	(Sans symbole d'alerte de sécurité) Indique les informations jugées importantes sans toutefois représenter un risque de blessure (ex. : messages concernant les dommages matériels).

Certains des symboles ci-dessous peuvent être utilisés sur produit. Veiller à les étudier et à apprendre leur signification. Une interprétation correcte de ces symboles permettra d'utiliser produit plus efficacement et de réduire les risques.

SYMBOLE	NOM	DÉSIGNATION / EXPLICATION
	Symbole d'alerte de sécurité	Indique un risque de blessure potentiel.
	Lire manuel d'utilisation	Pour réduire les risques de blessures, l'utilisateur doit lire et veiller à bien comprendre le manuel d'utilisation avant d'utiliser ce produit.
	Protection oculaire	Toujours porter une protection oculaire avec écrans latéraux certifiée conforme à la norme ANSI Z87.1.
	Avertissement concernant l'humidité	Ne pas exposer à la pluie ou l'humidité.
	Risque d'injection.	Pour réduire le risque d'injection ou de blessure, ne jamais orienter la graisse vers les personnes ou les animaux domestiques et ne jamais déposer de la graisse directement sur une partie du corps. Les tuyaux et les raccords qui fuient peuvent également entraîner une blessure par injection. Ne pas toucher les parties en caoutchouc exposées du tuyau.
	Risque d'explosion	Manipuler et ranger la graisse avec précaution. Certaines graisses et leurs vapeurs sont explosives et peuvent causer des brûlures graves ou la mort.
	Risque d'incendie	Ne pas ajouter de la graisse sur une machine quand elle fonctionne ou quand elle est toujours chaude. Le feu peut causer des brûlures graves et même la mort.
	Symbole de recyclage	Ce produit utilise les piles de lithium-ion (Li-ion). Les réglementations locales ou gouvernementales peuvent interdire de jeter les piles dans les ordures ménagères. Consulter les autorités locales compétentes pour les options de recyclage et/ou l'élimination.
V	Volts	Tension
min	Minutes	Temps
—	Courant continu	Type ou caractéristique du courant
.../min	Par minute	Tours, coups, vitesse périphérique, orbites, etc., par minute

# CARACTÉRISTIQUES

## FICHE TECHNIQUE

Type de graisse .....	Jusqu'à NLGI n° 2	Taille de cartouche .....	405,2 à 428,8 ml (13,7 à 14,5 oz)
Longueur du tuyau .....	762 mm (30 po)	Débit .....	221,8 ml (7,5 oz)/min
Pression maximum .....	10 000 PSI	Capacité de la graisse .....	473,2 ml (16 oz) en vrac ou 428,8 ml (14,5 oz) en cartouche
Port de remplissage en vrac .....	3,17 mm (1/8 po) NPT		

## ASSEMBLAGE

### **AVERTISSEMENT :**

Ne pas utiliser le produit s'il n'est pas complètement assemblé ou si des pièces semblent manquantes ou endommagées. L'utilisation d'un produit dont l'assemblage est incorrect ou incomplet ou comportant des pièces endommagées ou absentes représente un risque de blessures graves.

### **AVERTISSEMENT :**

Ne pas essayer de modifier cet outil ou de créer des pièces et accessoires non recommandés. De telles altérations ou modifications sont considérées comme un usage abusif et peuvent créer des conditions dangereuses, risquant d'entraîner des blessures graves.

Si des pièces manquent ou sont endommagées, veuillez appeler au 1-800-525-2579 pour obtenir de l'aide.

## UTILISATION

### **AVERTISSEMENT :**

Ne pas laisser la familiarité avec l'outil faire oublier la prudence. Ne pas oublier qu'une fraction de seconde d'inattention peut entraîner des blessures graves.

### **AVERTISSEMENT :**

Toujours retirer la bloc-pile de l'outil au moment d'assembler des pièces, d'effectuer des réglages et de procéder au nettoyage, ou lorsque l'outil n'est pas utilisé. Si cette précaution n'est pas prise, des objets peuvent être projetés dans les yeux et causer des lésions graves.

### **AVERTISSEMENT :**

Toujours porter une protection oculaire avec écrans latéraux certifiée conforme à la norme ANSI Z87.1. Si cette précaution n'est pas prise, des objets peuvent être projetés dans les yeux et causer des lésions graves.

### **AVERTISSEMENT :**

Ne pas utiliser d'outils ou accessoires non recommandés par le fabricant pour cet outil. L'utilisation de pièces et accessoires non recommandés peut entraîner des blessures graves.

### **AVERTISSEMENT :**

Utilisez l'équipement de protection. Protéger les yeux, la peau et les poumons au moment de manipuler, charger, distribuer et enlever la graisse. Ne pas respecter cette consigne peut causer des blessures graves.

## APPLICATIONS

Cet produit peut être utilisé pour les applications ci-dessous :

- Lubrifier les raccords graisseurs et les autres composants sur les véhicules, les équipements d'usine et les autres machines.

## INSTALLATION / RETRAIT DU BLOC-PILES

Voir la figure 1, page 11.

### Pour installer :

- Verrouiller l'interrupteur à gâchette en glissant le bouton de verrouillage en position de verrouillage.
- Insérer la pile dans l'outil comme illustré.
- S'assurer que ses deux loquets latéraux s'engagent correctement et vérifier que le bloc est solidement assujéti avant d'utiliser l'outil.

### Pour enlever :

- Verrouiller l'interrupteur à gâchette en glissant le bouton de verrouillage en position de verrouillage.
- Relâcher les loquets pour retirer le bloc-piles.

Pour prendre connaissance des consignes de chargement, consulter le manuel d'utilisation des piles et des chargeurs.

# UTILISATION

## ALLUMAGE ET ARRÊT DU PISTOLET GRAISSEUR

Voir la figure 2, page 11.

Le bouton de verrouillage se trouve sur la poignée, au-dessus de la gâchette pour réduire le risque de démarrage accidentel.

- **Pour mettre l'outil en marche :** Glisser le bouton de verrouillage vers la position déverrouillage et appuyer sur la gâchette.
- **Pour arrêter l'outil :** Relâcher l'interrupteur à gâchette et remettre le bouton de verrouillage en position de verrouillage.

### ATTENTION :

Le bouton de verrouillage doit être en position verrouillée lorsque l'outil n'est pas utilisée ou est transportée.

## LAMPE DÉL

Voir la figure 3, page 11.

La lampe DÉL, située à l'avant de l'outil, s'allume automatiquement lorsque vous appuyez sur la gâchette de commutateur.

Après avoir relâché la gâchette de commutateur, la lampe à DEL restera active pendant environ 15 secondes avant de s'éteindre.

Le ampoule à DÉL faisceaux s'allume seulement lorsqu'un bloc-piles chargé se trouve dans l'outil.

## COMPRÉHENSION DES GRADES NLGI

Les grades NLGI servent à exprimer l'épaisseur ou la fluidité d'une graisse. Plus le grade est élevé, plus la graisse est épaisse. Ce pistolet graisseur peut traiter les graisses d'une épaisseur allant jusqu'au grade NLGI n° 2. Une graisse de grade NLGI n° 2 a une consistance similaire à du beurre d'arachide.

NLGI n°	Consistance
000	Très fluide; similaire à de l'huile de cuisson
00	Légèrement fluide; similaire à de la compote de pommes
0	Très douce; similaire à de la mayonnaise
1	Légèrement douce; similaire à du dentifrice
2	Crémeuse; similaire à du beurre d'arachide

### ATTENTION :

Ne pas mettre de la graisse supérieure au grade NLGI n° 2. Cela pourrait faire caler le pistolet graisseur, endommager les composants sous pression de l'outil et créer un risque d'éclatement.

### AVERTISSEMENT :

Suivre toujours les instructions du fabricant de la graisse imprimées sur l'étiquette du produit en ce qui concerne l'utilisation, le nettoyage et l'entreposage. Bien nettoyer le tube de graisse après chaque utilisation. La graisse doit être entreposée hors de portée des enfants. Ne pas respecter cette consigne peut causer des blessures graves.

## CHARGEMENT D'UNE CARTOUCHE DE GRAISSE

Voir les figures 4 et 5, page 12.

- Mettre la gâchette de commutateur en position « arrêt » et enlever le bloc-piles.
- Tourner le tube de graisse en sens antihoraire pour desserrer et retirer.
- Retirer entièrement la poignée à ressort du tube de graisse. Ensuite, la déplacer sur le côté dans la fente étroite pour la verrouiller en place.  
**NOTE :** S'assurer que la poignée du tube de graisse est bien verrouillée en place avant d'ajouter la cartouche de graisse.
- Avec un linge propre et sec, enlever l'ancienne graisse se trouvant à l'intérieur du tube.
- Retirer le capuchon en plastique au bas de la cartouche de graisse de 405,2 à 428,8 ml (13,7 à 14,5 oz) (non comprise).
- Insérer la cartouche de graisse (non comprise) dans le tube de graisse, en orientant le bas vers la poignée du tube de graisse.
- Enlever le joint sur l'avant de la cartouche de graisse (non comprise).
- Remettre le tube de graisse dans le pistolet graisseur et tourner en sens horaire pour sécuriser.  
**NOTE :** Éviter de fausser le filetage, car cela peut faire fuir le tube de graisse pendant l'utilisation.
- Saisir la poignée du tube de graisse et la déplacer loin de la fente étroite.
- Laisser la poignée du tube de graisse bouger lentement vers l'avant et entrer dans le tube de graisse.

**NOTE :** Une fois la cartouche chargée, utiliser la soupape de purge pour vider l'air piégé dans le tube de graisse. Pour en savoir plus, consulter la section **Utilisation de la soupape de purge** dans le présent manuel.

### **Pour enlever une cartouche de graisse vide :**

- Mettre la gâchette de commutateur en position « arrêt » et enlever le bloc-piles.
- Retirer entièrement la poignée à ressort du tube de graisse. Ensuite, la déplacer sur le côté dans la fente étroite pour la verrouiller en place.  
**NOTE :** S'assurer que la poignée du tube de graisse est bien verrouillée en place avant d'ôter la cartouche de graisse.
- Tourner le tube de graisse en sens antihoraire pour desserrer et retirer.



# UTILISATION

- En pointant le tube de graisse vers le haut, saisir la poignée du tube de graisse et la déplacer loin de la fente étroite.
- Laisser la poignée du tube de graisse bouger lentement vers l'avant et sortir de la cartouche de graisse (non comprise).

## CHARGEMENT DE LA GRAISSE DEPUIS UN CONTENANT EN VRAC

Voir les figures 6 à 9, page 12.

Il est possible de charger le pistolet graisseur depuis un contenant en vrac, directement ou au moyen d'une pompe de remplissage.

### Pour charger directement depuis un contenant en vrac :

- Mettre la gâchette de commutateur en position « arrêt » et enlever le bloc-piles.
- Tourner le tube de graisse en sens antihoraire pour desserrer et retirer.
- Tenir fermement le tube de graisse et tourner l'ensemble de piston en sens antihoraire pour desserrer.
- Ôter l'ensemble de piston du tube de graisse.
- Avec un linge propre et sec, enlever l'ancienne graisse se trouvant à l'intérieur du tube.
- Réinsérer l'ensemble de piston dans le tube de graisse et tourner en sens horaire pour sécuriser.
- Avec la poignée du tube de graisse poussée à fond, plonger l'extrémité ouverte du tube de graisse dans le contenant en vrac.
- Tirer sur la poignée à ressort du tube de graisse, lentement et entièrement, pour aspirer la graisse dans le tube. Ensuite, la déplacer sur le côté dans la fente étroite pour la verrouiller en place.

**NOTE :** Pour éviter de créer des poches d'air dans le tube de graisse, bien garder l'extrémité ouverte du tube immergée dans la graisse, loin de la surface.

- Enlever le tube de graisse du contenant en vrac.
- Avec un linge propre et sec, nettoyer l'excès de graisse.
- Remettre le tube de graisse dans le pistolet graisseur et tourner en sens horaire pour sécuriser.
- **NOTE :** Éviter de fausser le filetage, car cela peut faire fuir le tube de graisse pendant l'utilisation.
- Saisir la poignée du tube de graisse et la déplacer loin de la fente étroite.
- Laisser la poignée du tube de graisse bouger lentement vers l'avant et entrer dans le tube de graisse.

**NOTE :** Une fois la graisse chargée, utiliser la soupape de purge pour vider l'air piégé dans le tube de graisse. Pour en savoir plus, consulter la section **Utilisation de la soupape de purge** dans le présent manuel.

### Pour charger depuis un contenant en vrac au moyen d'une pompe de remplissage et d'un coupleur à faible pression :

- Mettre la gâchette de commutateur en position « arrêt » et enlever le bloc-piles.
- Tourner le tube de graisse en sens antihoraire pour desserrer et retirer.
- Enlever l'ensemble de piston comme il est décrit plus haut.

- Avec un linge propre et sec, enlever l'ancienne graisse se trouvant à l'intérieur du tube.

- Connecter l'ensemble de piston au tube de graisse.
- Remettre le tube de graisse dans le pistolet graisseur et tourner en sens horaire pour sécuriser.

**NOTE :** Éviter de fausser le filetage, car cela peut faire fuir le tube de graisse pendant l'utilisation.

- Trouver le bouchon de remplissage situé près de la base de l'outil.
- À l'aide d'une clé hexagonale, desserrer et retirer le bouchon de remplissage du port de remplissage en vrac. Ranger le bouchon de remplissage jusqu'à une utilisation ultérieure.
- Installer un coupleur à faible pression de 3,17 mm (1/8 po) (non compris) dans le port de remplissage.

**NOTE :** S'assurer que le coupleur (non compris) est compatible avec le pistolet graisseur et la pompe de remplissage (non comprise). Si le coupleur n'est pas compatible ou s'il s'ajuste mal, le chargement de la graisse peut ne pas s'effectuer correctement.



### AVERTISSEMENT :

NE JAMAIS installer un coupleur à haute pression dans le port de remplissage en vrac. En se servant d'un mauvais type de coupleur, trop de pression pourrait s'accumuler dans le pistolet graisseur. Une pression excessive pourrait entraîner une fuite ou un éclatement des pièces de l'outil et causer ainsi des blessures graves.

- Retirer lentement la poignée du tube de graisse tout en la tournant en sens antihoraire, afin de la dégager du reste de l'ensemble de piston.

**NOTE :** Ne pas bouger la poignée à l'intérieur de la fente étroite.

- Une fois la poignée dégagée, la remettre délicatement dans le tube de graisse.
- Fixer le coupleur à faible pression (non compris) du pistolet graisseur au coupleur à faible pression de la pompe de remplissage (non comprise).

**NOTE :** Les coupleurs sont conçus pour se connecter sans serrer et ne sont pas censés former un joint étanche. Cette conception empêche de trop remplir le pistolet graisseur.

- Au moyen de la pompe de remplissage (non comprise), charger la graisse dans l'unité jusqu'à ce que la poignée du tube de graisse s'étende sur environ 203,20 mm (8 po).

**NOTE :** Si la poignée ne s'étend pas, il est possible qu'elle ne soit pas dégagée du reste de l'ensemble de piston. Dégager la poignée et essayer de nouveau.

- Tourner lentement la poignée du tube de graisse en sens horaire jusqu'à ce qu'elle se dégage du reste de l'ensemble de piston.
- Déconnecter le pistolet graisseur de la pompe de remplissage (non comprise).

# UTILISATION

- Incliner le pistolet graisseur vers le haut pour éviter les débordements, puis remettre le coupleur (non compris) avec le bouchon de remplissage.
- Avec un linge propre et sec, nettoyer l'excès de graisse.
- Laisser la poignée du tube de graisse bouger lentement vers l'avant et entrer dans le tube de graisse.

**NOTE :** Une fois la graisse chargée, utiliser la soupape de purge pour vider l'air piégé dans le tube de graisse. Pour en savoir plus, consulter la section **Utilisation de la soupape de purge** dans le présent manuel.

## UTILISATION DU PISTOLET GRAISSEUR

Voir la figure 10, page 13.

Cet outil est livré depuis l'usine avec des résidus de graisse dans le tube de graisse et le tuyau haute pression. Avant la première utilisation et à chaque changement de graisse, charger la graisse de votre choix dans l'outil, orienter le coupleur à graisse vers un contenant à graisse approuvé, puis faire fonctionner l'outil jusqu'à ce que toute l'ancienne graisse soit expulsée et que la nouvelle graisse commence à sortir.

### **AVERTISSEMENT :**

Ne pas diriger la graisse vers les mains, les yeux ou toute autre partie du corps. Ne pas respecter cette consigne peut causer l'injection de la graisse sous pression sur votre peau ou dans les yeux, provoquant ainsi une infection ou une blessure grave.

### **AVERTISSEMENT :**

Pour réduire le risque d'incendie, ne pas ajouter de la graisse sur une machine quand elle fonctionne ou quand elle est toujours chaude. Un incendie peut entraîner la mort ou des blessures graves.

- Charger la graisse comme il est décrit plus haut dans le manuel.
- Installer le bloc-piles.
- Tenir le pistolet graisseur près de l'objet à lubrifier ou le poser sur sa base dans un endroit stable.
- Saisir le tuyau haute pression par le ressort de protection et le retirer des clips de tuyau.

### **AVERTISSEMENT:**

Tenir le tuyau haute pression par le ressort de protection et garder les mains loin des parties en caoutchouc exposées du tuyau. Le respect de cette consigne réduira le risque d'injection.

- Connecter le coupleur à graisse au raccord ou composant à lubrifier.

**NOTE :** Tirer délicatement sur le coupleur à graisse pour s'assurer qu'il est sécurisé. S'il ne reste pas en place sur le raccord ou le composant, le coupleur peut être endommagé et doit être remplacé.

- Glisser le bouton de verrouillage en position déverrouillée et appuyer sur la gâchette de commutateur pour lancer le débit de la graisse.

### **AVERTISSEMENT :**

Lors de l'utilisation, vérifier si le tuyau haute pression, le coupleur à graisse, la soupape de purge et les autres composants de l'outil fuient. En cas de fuite, arrêter immédiatement le pistolet graisseur et ne pas utiliser tant que la fuite n'est pas réparée. Les tuyaux et les raccords qui fuient peuvent entraîner une blessure par injection.

- L'outil doit fournir un débit continu de graisse tant que la gâchette de commutateur est appuyée. Si le pistolet graisseur n'arrive pas à pomper de la graisse, il peut y avoir des poches d'air dans le tube de graisse. Utiliser la soupape de purge pour vider l'air piégé dans le tube. Pour en savoir plus, consulter la section **Utilisation de la soupape de purge** dans le présent manuel.

- Une fois la tâche terminée, relâcher la gâchette de commutateur et enlever le coupleur.

**NOTE :** S'il est difficile de retirer le coupleur, le faire bouger d'un côté à l'autre pour ôter le reste de pression et essayer de nouveau.

- Avant d'entreposer l'outil, mettre la gâchette de commutateur en position « arrêt » et enlever le bloc-piles.

## UTILISATION DE LA SOUPAPE DE PURGE

Voir la figure 11, page 13.

La présence d'air à l'intérieur du tube de graisse peut faire caler ou arrêter le pistolet graisseur pendant son utilisation. Utiliser la soupape de purge pour vider cet air après avoir chargé de la graisse ou au besoin lors de l'utilisation.

- Mettre la gâchette de commutateur en position « arrêt » et enlever le bloc-piles.
- Desserrer la soupape de purge, sans la retirer, pour laisser l'air sortir.
- Serrer la soupape de purge.
- Installer le bloc-piles.
- Saisir le tuyau haute pression par le ressort de protection et le retirer des clips de tuyau.
- Orienter le coupleur à graisse vers un contenant à graisse approuvé.
- Glisser le bouton de verrouillage en position déverrouillée et appuyer sur la gâchette de commutateur pour lancer le débit de la graisse.
- Si le pistolet graisseur continue de caler et que la graisse ne coule pas, répéter ces étapes.

# ENTRETIEN

## **AVERTISSEMENT :**

Utiliser exclusivement des pièces d'origine pour les réparations. L'usage de toute autre pièce pourrait créer une situation dangereuse ou endommager l'outil.

## **AVERTISSEMENT :**

Toujours porter une protection oculaire avec écrans latéraux certifiée conforme à la norme ANSI Z87.1. Si cette précaution n'est pas prise, des objets peuvent être projetés dans les yeux et causer des lésions graves.

## ENTRETIEN GÉNÉRAL

Éviter d'utiliser des solvants pour le nettoyage des pièces en plastique. La plupart des matières plastiques peuvent être endommagées par divers types de solvants du commerce. Utiliser un chiffon propre pour éliminer la saleté, la poussière, l'huile, la graisse, etc.

## **AVERTISSEMENT :**

Ne jamais laisser de liquides tels que le fluide de freins, l'essence, les produits à base de pétrole, les huiles pénétrantes, etc., entrer en contact avec les pièces en plastique. Les produits chimiques peuvent endommager, affaiblir ou détruire le plastique, ce qui peut entraîner des blessures graves.

## NETTOYAGE DE LA ZONE DU CLAPET ANTIRETOUR

Voir la figure 12, page 13.

Si la graisse ne coule pas librement lorsque la gâchette de commutateur est appuyée, des contaminants peuvent boucher la zone du clapet antiretour. **Pour nettoyer la zone du clapet antiretour :**

- Mettre la gâchette de commutateur en position « arrêt » et enlever le bloc-piles.
- Enlever le boulon du clapet antiretour, la rondelle, le ressort et la bille hors de la zone du clapet antiretour.
- Avec un linge propre et sec, nettoyer la graisse et les contaminants se trouvant sur le boulon, la rondelle, le ressort, la bille et la zone du clapet antiretour.
- Remettre la bille, le ressort, la rondelle et le boulon du clapet antiretour. Serrer le boulon pour sécuriser.

## ENTREPOSAGE DU PISTOLET GRAISSEUR

- Mettre la gâchette de commutateur en position « arrêt » et enlever le bloc-piles.
- Enlever le tube de graisse.
- Jeter la cartouche de graisse (le cas échéant) et enlever la graisse usagée se trouvant à l'intérieur du tube.
- Remettre le tube de graisse.
- Installer le bloc-piles, orienter le coupleur à graisse vers un contenant à graisse approuvé et faire fonctionner l'outil jusqu'à ce que toute la graisse soit expulsée.
- Mettre la gâchette de commutateur en position « arrêt » et enlever le bloc-piles.
- Entreposer l'outil, les accessoires et la graisse dans un endroit qui n'atteint pas des températures inférieures à zéro. Ne pas entreposer près d'une chaudière ou d'autres sources de chaleur pouvant sécher la pompe, le tuyau haute pression et les autres composants. Tenir hors de portée des enfants.

**NOTE: ILLUSTRATIONS COMMENÇANT SUR 11 DE PAGE APRÈS LA SECTION ESPAGNOL.**

# ADVERTENCIAS DE SEGURIDAD GENERALES PARA LA HERRAMIENTA ELÉCTRICA



## ADVERTENCIA

Lea todas las advertencias, instrucciones, ilustraciones y especificaciones proporcionadas con esta herramienta eléctrica. No seguir las instrucciones indicadas a continuación puede provocar descargas eléctricas, incendios o lesiones graves.

Guarde todas las advertencias e instrucciones para consultarlas en el futuro. El término “herramienta eléctrica” en las advertencias se refiere a las herramientas eléctricas que funcionan con corriente (con cordón) o las que funcionan con batería (inalámbricas).

## ÁREA DE TRABAJO

- **Mantenga limpia y bien iluminada el área de trabajo.** Un área de trabajo mal despejada o mal iluminada propicia accidentes.
- **No utilice herramientas motorizadas en atmósferas explosivas, como las existentes alrededor de líquidos, gases y polvos inflamables.** Las herramientas eléctricas generan chispas que pueden encender el polvo y los vapores inflamables.
- **Mantenga alejados a los niños y circunstancias al maniobrar una herramienta eléctrica.** Toda distracción puede causar la pérdida del control de la herramienta.

## SEGURIDAD ELÉCTRICA

- **Las clavijas de las herramientas eléctricas deben corresponder a las tomas de corriente donde se conectan. Nunca modifique la clavija de ninguna forma. No utilice ninguna clavija adaptadora con herramientas eléctricas dotadas de contacto a tierra.** Conectando las clavijas originales en las tomas de corriente donde corresponden se disminuye el riesgo de una descarga eléctrica.
- **Evite el contacto del cuerpo con las superficies de objetos conectados a tierra, como las tuberías, radiadores, estufas y refrigeradores.** Existe un mayor riesgo de descargas eléctricas si el cuerpo está haciendo tierra.
- **No exponga las herramientas eléctricas a la lluvia ni a condiciones de humedad.** La introducción de agua en una herramienta eléctrica aumenta el riesgo de descargas eléctricas.
- **No maltrate el cordón eléctrico. Nunca utilice el cordón para trasladar, desconectar o tirar de la herramienta eléctrica. Mantenga el cordón lejos del calor, aceite, bordes afilados y piezas móviles.** Los cordones eléctricos dañados o enredados aumentan el riesgo de descargas eléctricas.

- **Al utilizar una herramienta eléctrica a la intemperie, use un cordón de extensión apropiado para el exterior.** Usando un cordón adecuado para el exterior se disminuye el riesgo de descargas eléctricas.
- **Si debe operar una herramienta en lugares húmedos, use un suministro protegido por un interruptor de circuito con pérdida a tierra (GFCI).** El uso de un GFCI reduce el riesgo de descargas eléctricas.
- **Cargue las baterías solamente con el cargador indicado.** Para utilizar con paquetes de baterías de iones de litio de 18 V, consulte el folleto de la herramienta/aparato/paquete de baterías/cargador complementario 987000-432.

## SEGURIDAD PERSONAL

- **Permanezca alerta, preste atención a lo que esté haciendo y aplique el sentido común al utilizar herramientas eléctricas. No utilice la herramienta eléctrica si está cansado o se encuentra bajo los efectos de alguna droga, alcohol o medicamento.** Un momento de inatención al utilizar una herramienta eléctrica puede causar lesiones corporales serias.
- **Utilice protección el equipo otros. Siempre póngase protección ocular.** El uso de equipo protector como mascarilla para el polvo, calzado de seguridad, casco y protección para los oídos en las circunstancias donde corresponda disminuye el riesgo de lesiones.
- **Evite que la herramienta se active accidentalmente. Asegúrese de que el interruptor esté en la posición de apagado antes de conectar la herramienta a un suministro de corriente o de colocar un paquete de baterías.** Transportar herramientas eléctricas con el dedo en el interruptor o enchufar herramientas eléctricas que tienen el interruptor encendido puede ocasionar accidentes.
- **Retire toda llave o herramienta de ajuste antes de encender la herramienta eléctrica.** Toda llave o herramienta de ajuste dejada en una pieza giratoria de la herramienta eléctrica puede causar lesiones.
- **No estire el cuerpo para alcanzar mayor distancia. Mantenga una postura firme y buen equilibrio en todo momento.** De esta manera se logra un mejor control de la herramienta eléctrica en situaciones inesperadas.
- **Vístase adecuadamente. No vista ropas holgadas ni joyas. Mantenga el cabello, la ropa y los guantes alejados de las piezas móviles.** Las ropas holgadas y las joyas, así como el cabello largo, pueden engancharse en las piezas móviles.
- **Si se suministran dispositivos para conectar mangueras de extracción y captación de polvo, asegúrese de que éstas estén bien conectadas y se usen correctamente.** El uso de la captación de polvo puede reducir los peligros relacionados con éste.

# ADVERTENCIAS DE SEGURIDAD GENERALES PARA LA HERRAMIENTA ELÉCTRICA

- **No permita que la familiaridad obtenida por el uso frecuente de las herramientas lo vuelva complaciente e ignore los principios de seguridad de las herramientas.** Una acción descuidada puede causar lesiones graves en una fracción de segundo.
- **No vista ropas holgadas ni joyas. Recójase el cabello si está largo.** Las ropas holgadas y las joyas, así como el cabello largo, pueden resultar atraídas hacia el interior de las aberturas de ventilación.
- **No utilice la unidad al estar en una escalera o en un soporte inestable.** Una postura estable sobre una superficie sólida permite un mejor control de la herramienta eléctrica en situaciones inesperadas.

## EMPLEO Y CUIDADO DE LA HERRAMIENTA ELÉCTRICA

- **No fuerce la herramienta eléctrica. Utilice la herramienta eléctrica adecuada para cada trabajo.** La herramienta eléctrica adecuada efectúa mejor y de manera más segura el trabajo, si además se maneja a la velocidad para la que está diseñada.
- **No utilice la herramienta si el interruptor no enciende o no apaga.** Cualquier herramienta eléctrica que no pueda controlarse con el interruptor es peligrosa y debe repararse.
- **Desconecte el enchufe de la fuente de alimentación o retire el paquete de baterías, si es desmontable, de la herramienta eléctrica antes de realizar ajustes, cambiar accesorios o almacenar herramientas eléctricas.** Tales medidas preventivas de seguridad reducen el riesgo de poner en marcha accidentalmente la herramienta.
- **Guarde las herramientas eléctricas desocupadas fuera del alcance de los niños y no permita que las utilicen personas no familiarizadas con las mismas o con estas instrucciones.** Las herramientas eléctricas son peligrosas en manos de personas no capacitadas en el uso de las mismas.
- **Mantenimiento de las herramientas eléctricas y accesorios. Revise para ver si hay desalineación o atoramiento de piezas móviles, ruptura de piezas o toda otra condición que pueda afectar el funcionamiento de la herramienta eléctrica. Si está dañada la herramienta eléctrica, permita que la reparen antes de usarla.** Numerosos accidentes son causados por herramientas eléctricas mal cuidadas.
- **Mantenga las herramientas de corte afiladas y limpias.** Las herramientas de corte bien cuidadas y con bordes bien afilados, tienen menos probabilidad de atascarse en la pieza de trabajo y son más fáciles de controlar.
- **Use la herramienta eléctrica, los accesorios, las brocas, etc. según estas instrucciones, teniendo en cuenta las condiciones de trabajo y la tarea que se va a realizar.** Si se utiliza la herramienta eléctrica para operaciones diferentes de las indicadas podría originar una situación peligrosa.

- **Mantenga los mangos y superficies de agarre limpias y libres de aceite y grasa.** Los mangos y superficies de agarre resbalosas no permiten la manipulación y control seguro de la herramienta en situaciones inesperadas.

## EMPLEO Y CUIDADO DE LA HERRAMIENTA DE BATERÍAS

- **Sólo cargue el paquete de baterías con el cargador especificado por el fabricante.** Un cargador adecuado para un tipo paquete de baterías puede significar un riesgo de incendio si se emplea con un paquete de baterías diferente.
- **Utilice las herramientas eléctricas sólo con los paquetes de baterías específicamente indicados.** El empleo de paquetes de baterías diferentes puede presentar un riesgo de incendio.
- **Cuando no esté utilizándose el paquete de baterías, manténgalo lejos de otros objetos metálicos, como clips, monedas, llaves, clavos, tornillos o otros objetos metálicos, pequeños que puedan establecer conexión entre ambas terminales.** Establecer una conexión directa entre las dos terminales de las baterías puede causar quemaduras o incendios.
- **Si se maltratan las baterías, puede derramarse líquido de las mismas; evite todo contacto con éste. En caso de contacto, lávese con agua. Si el líquido llega a tocar los ojos, además busque atención médica.** El líquido de las baterías puede causar irritación y quemaduras.
- **No utilice un paquete de baterías o una herramienta que esté dañado o modificado.** Las baterías dañadas o modificadas pueden tener un funcionamiento impredecible que provoque incendios, explosiones o riesgo de lesiones.
- **No exponga el paquete de baterías o una herramienta al fuego o a temperaturas excesivas.** La exposición al fuego o a temperatura sobre los 130 °C (265 °F) puede provocar explosiones.
- **Siga todas las instrucciones de carga y no cargue el paquete de baterías ni la herramienta fuera del rango de temperaturas especificado en las instrucciones.** Si realiza la carga en forma incorrecta o fuera de las temperaturas del rango especificado puede dañar la batería y aumentar el riesgo de incendios.

## SERVICIO




- **Permita que un técnico de reparación calificado preste servicio a la herramienta eléctrica, y sólo con piezas de repuesto idénticas.** De esta manera se mantiene la seguridad de la herramienta eléctrica.
- **Nunca repare paquetes de baterías dañados.** La reparación de paquetes de baterías solo puede ser realizada por el fabricante o proveedores de servicio autorizados.

# ADVERTENCIAS DE SEGURIDAD DE LA PISTOLA DE ENGRASE









- **Conozca su pistola de engrase.** Lea cuidadosamente el manual del operador. Aprenda sus usos y limitaciones, así como los posibles peligros específicos de esta herramienta eléctrica. Con el cumplimiento de esta regla se reduce el riesgo de una descarga eléctrica, incendio o lesión seria.
- **Haga periódicamente inspecciones visuales de la manguera, la válvula de purga, el acoplador de la pistola y otros componentes de la pistola de engrase antes y durante el uso.** Los componentes desgastados o dañados podrían originar una fuga de alta presión y resultar en una posible inyección u otra lesión personal grave.
- **No doble ni retuerza la manguera, ya que podría desgastarse de forma prematura.** Las mangueras desgastadas podrían tener fugas o explotar durante el uso.
- **Antes de cada uso, verifique que la manguera no tenga retorceduras, señales de daños por retorceduras anteriores, y partes débiles o desgastadas.** Si la manguera está dañada, deje de usar la pistola de engrase y reemplace la manguera inmediatamente.
- **No intente tirar ni transportar la pistola de engrase de la manguera.**
- **Utilice únicamente la grasa recomendada en este manual del operador.** El uso de cualquier otra grasa podría ocasionar un peligro o daños en el producto.
- **Para reducir el riesgo de inyección, use guantes durante el uso, sostenga la manguera de alta presión del protector con resorte y mantenga las manos alejadas de las partes de goma expuestas de la manguera.** En caso de inyección en la piel, busque atención médica de inmediato. No haga como si hubiese tenido un simple corte.
- **Tenga siempre en cuenta que el uso y la manipulación indebidos de la grasa o esta herramienta podrían causarles lesiones a usted y a otras personas.**
- **PELIGRO:** Ciertas grasas y sus vapores pueden ser inflamables. Para evitar lesiones personales graves y daños materiales, manipule la grasa con cuidado. Manténgala alejada de fuentes de ignición, manipúlela solo en exteriores, no fume mientras carga grasa y limpie los derrames de inmediato.
- **ADVERTENCIA:** Esta pistola de engrase está diseñada para generar alta presión (hasta 10 000 PSI). La grasa presurizada puede ser peligrosa si se usa de forma indebida. No apunte grasa hacia personas, animales, dispositivos eléctricos o la misma herramienta.
- **Siga siempre todas las reglas de seguridad recomendadas por el fabricante de la pistola de engrase, además de aquellas de la grasa que utilice.** Si sigue estas reglas, reducirá el riesgo de lesiones personales graves.
- **Antes de aplicar grasa a una máquina, apague esta última y espere a que todas las partes en movimiento se detengan.** No aplique grasa a máquinas mientras estén en funcionamiento o haya piezas en movimiento. El incumplimiento de cualquiera de estas instrucciones puede causar lesiones serias.
- **No cargue herramientas de baterías en lugares mojados o húmedos. No lo utilice, guarde o cargue la paquete de baterías o la unidad en lugares donde la temperatura sea inferior a 10 °C (50 °F) o superior a 38 °C (100 °F).** No guarde la herramienta a la intemperie ni en el interior de vehículos.
- **Guarde estas instrucciones.** Consúltelas con frecuencia y empléelas para instruir a otras personas que puedan utilizar esta herramienta. Si presta a alguien esta herramienta, facilítele también las instrucciones.

# SYMBOLS

Las siguientes palabras de señalización y sus significados tienen el objeto de explicar los niveles de riesgo relacionados con este producto.

SÍMBOLO	SEÑAL	SIGNIFICADO
	<b>PELIGRO:</b>	Indica una situación peligrosa, la cual, si no se evita, causará la muerte o lesiones serias.
	<b>ADVERTENCIA:</b>	Indica una situación peligrosa, la cual, si no se evita, podría causar la muerte o lesiones serias.
	<b>PRECAUCIÓN:</b>	Indica una situación peligrosa, la cual, si no se evita, podría causar lesiones menores o leves.
	<b>AVISO:</b>	(Sin el símbolo de alerta de seguridad) Indica la información que se considera importante, pero no relacionada con lesiones potenciales (por ej. en relación a daños a la propiedad).

Es posible que se empleen en este producto algunos de los siguientes símbolos. Le suplicamos estudiarlos y aprender su significado. Una correcta interpretación de estos símbolos le permitirá utilizar mejor y de manera más segura el producto.

SÍMBOLO	NOMBRE	DENOMINACIÓN/EXPLICACIÓN
	Alerta de seguridad	Indica un peligro posible de lesiones personales.
	Lea el manual del operador	Para reducir el riesgo de lesiones, el usuario debe leer y comprender el manual del operador antes de usar este producto.
	Protección ocular	Siempre póngase protección ocular con protección lateral con la marca de cumplimiento de la norma ANSI Z87.1.
	Alerta de condiciones húmedas	No exponga la unidad a la lluvia ni la use en lugares húmedos.
	Risque d'injection	Para reducir el riesgo de inyección o lesiones, nunca apunte grasa hacia personas o mascotas, ni coloque grasa directamente sobre partes del cuerpo. Las mangueras y graseras con fugas también podrían ocasionar lesiones por inyección. No toque las partes de goma expuestas de la manguera.
	Risque d'explosion	Manipule y almacene la grasa con cuidado. Ciertas grasas y sus vapores son explosivos y podrían ocasionar quemaduras graves o incluso la muerte.
	Risque d'incendie	No agregue grasa a máquinas mientras estén en funcionamiento o calientes.
	Símbolo de reciclado	Este producto contiene baterías de iones de litio (Li-ion). Es posible que algunas leyes municipales, estatales o federales prohíban desechar las baterías en la basura normal. Consulte a las autoridades reguladoras de desechos para obtener información en relación con las alternativas de reciclado y desecho disponibles.
V	Volts	Voltaje
min	Minutos	Tiempo
≡	Corriente continua	Tipo o característica de corriente
.../min	Por minuto	Revoluciones, carreras, velocidad superficial, órbitas, etc., por minuto

# CARACTERÍSTICAS

## ESPECIFICACIONES DEL PRODUCTO

Tipo de grasa .....	Hasta NLGI n.º 2	Tamaño del cartucho.....	405,2 a 428,8 ml (13,7 a 14,5 oz)
Longitud de la manguera .....	762 mm (30 pulg.)	Velocidad de flujo .....	221,8 ml (7,5 oz)/min
Presión máxima.....	10 000 PSI	Capacidad de grasa.....	473,2 ml (16 oz) a granel o cartucho de 428,8 ml (14,5 oz)
Puerto de llenado a granel .....	NPT de 3,18 mm (1/8 pulg.)		

## ARMADO

### ADVERTENCIA:

No use este producto si no está totalmente ensamblado o si alguna pieza falta o está dañada. El uso de un producto que no está adecuadamente y completamente ensamblado o posee partes dañadas o faltantes puede resultar en lesiones personales graves.

### ADVERTENCIA:

No intente modificar este producto ni crear aditamentos o accesorios que no estén recomendados para usar con este producto. Dichas alteraciones o modificaciones constituyen un uso indebido y podrían provocar una situación de riesgo que cause posibles lesiones personales graves.

Si hay piezas dañadas o faltantes, llame al 1-800-525-2579, donde le brindaremos asistencia.

## FUNCIONAMIENTO

### ADVERTENCIA:

No permita que su familiarización con los productos lo vuelva descuidado. Tenga presente que un descuido de un instante es suficiente para causar una lesión grave.

### ADVERTENCIA:

Use equipo de seguridad. Protéjase los ojos, la piel y los pulmones cuando manipule, cargue, dispense y elimine grasa. Si no sigue esta advertencia, podría sufrir lesiones personales graves.

### ADVERTENCIA:

Siempre retire el paquete de baterías de la herramienta cuando esté ensamblando partes, realizando ajustes, limpiando o cuando ésta no esté en uso. Retirando el paquete de baterías se evita arrancar accidentalmente la unidad, lo cual puede causar lesiones serias.

## APLICACIONES

Este producto puede emplearse para los fines siguientes:

- Lubricar graseras y otros componentes en vehículos, equipos de fábricas y otra maquinaria.

## PARA INSTALAR / DESMONTAR EL PAQUETE DE BATERÍAS

Vea la figura 1, página 11.

### Para instalarla:

- Bloquee el gatillo del interruptor deslizando el botón de desbloqueo hasta la posición de bloqueo.
- Coloque el paquete de baterías en el producto como se muestra.
- Asegúrese de que los pestillos situados a ambos lados del paquete de baterías entren completamente en su lugar con un chasquido y de que el paquete quede bien asegurado en la herramienta antes de comenzar a utilizarla.

### Para retirarla:

- Bloquee el gatillo del interruptor deslizando el botón de desbloqueo hasta la posición de bloqueo.
- Oprima los pestillos para extraer el paquete de baterías.

Para obtener instrucciones específicas de carga, lea el manual del operador que se incluye con el cargador y la batería.

### ADVERTENCIA:

No utilice ningún aditamento o accesorio no recomendado por el fabricante de este producto. El empleo de aditamentos o accesorios no recomendados podría causar lesiones serias.



# FUNCIONAMIENTO

## CÓMO ENCENDER O APAGAR LA PISTOLA DE ENGRASE

Vea la figura 2, página 11.

El botón del seguro de apagado se encuentra en el mango, arriba del gatillo del interruptor y el cual reduce la posibilidad de un arranque accidental.

- **Para encender la herramienta:** Deslice el botón del seguro de apagado hasta la posición de+ bloqueo y oprima el gatillo del interruptor.
- **Para apagar la herramienta:** Suelte el gatillo del interruptor y deslice el botón del seguro de apagado hasta la posición de bloqueo.

### PRECAUCIÓN:

El botón del seguro de apagado debe estar en la posición de asegurado cuando la herramienta no está siendo utilizada o al ser transportada.

## DIODO LUMINISCENTE

Vea la figura 3, página 11.

La luz de diodo luminiscente, la cual está situada en la parte frontal de la herramienta, ilumina cuando se oprime el gatillo del interruptor.

Una vez que suelte el gatillo, la luz LED permanecerá encendida durante aproximadamente 15 segundos antes de apagarse.

La luz de diodo luminiscente se enciende sólo cuando se coloca una batería cargada en la herramienta.

## CLASIFICACIONES NLGI

Las clasificaciones NLGI se utilizan para expresar el espesor o la fluidez de la grasa. Cuanto más alta sea la clasificación, más espesa es la grasa. Esta pistola de engrase puede utilizar grasa con un espesor clasificado hasta NLGI n.º 2. La grasa con clasificación NLGI n.º 2 tiene una consistencia similar a la de la mantequilla de maní.

N.º NLGI	Consistencia
000	Muy fluida; similar al aceite de cocina
00	Algo fluida; similar al puré de manzana
0	Muy suave; similar a la mayonesa
1	Algo suave; similar al dentífrico
2	Cremosa; similar a la mantequilla de maní

### PRECAUCIÓN:

No cargue grasa con una clasificación más alta que NLGI n.º 2. De lo contrario, la pistola de engrase podría detenerse, podrían dañarse los componentes de la herramienta que transportan la presión o podría originarse un riesgo de explosión.

### ADVERTENCIA:

Siga siempre las instrucciones sobre uso, limpieza y almacenamiento del fabricante de la grasa impresas en la etiqueta del producto. Limpie bien el tubo de grasa después de cada uso. Almacene la grasa fuera del alcance de los niños. No seguir esta advertencia puede causar lesiones graves.

## CÓMO CARGAR UN CARTUCHO DE GRASA

Vea las figuras 4 y 5, página 12.

- Bloquee el gatillo en la posición de apagado y retire el paquete de baterías.
- Gire el tubo de grasa en sentido antihorario para aflojarlo y retirarlo.
- Tire del mango del tubo de grasa con resorte completamente hacia fuera. Luego muévelo hacia un lado para trabarlo en la ranura estrecha.

**NOTA:** Asegúrese de que el mango del tubo de grasa esté bloqueado en su lugar antes de agregar el cartucho de grasa.

- Use un trapo limpio y seco para eliminar la grasa vieja del interior del tubo.
- Retire la tapa de plástico de la parte inferior de un cartucho de grasa de 405,2 a 428,8 ml (13,7 a 14,5 oz) (no incluido).
- Inserte el cartucho de grasa (no incluido) en el tubo de grasa con la parte inferior orientada hacia el mango del tubo.
- Retire el precinto de la parte frontal del cartucho de grasa (no incluido).
- Coloque el tubo de grasa nuevamente en la pistola de engrase y gírelo en sentido horario para asegurarlo.

**NOTA:** Tenga cuidado de no dañar la rosca, ya que esto podría causar fugas en el tubo de grasa durante el uso.

- Agarre el mango del tubo de grasa y quítelo de la ranura estrecha.
- Deje que el mango del tubo de grasa avance lentamente hacia el tubo.

**NOTA:** Una vez cargado el cartucho, use la válvula de purga para purgar el aire atrapado en el tubo de grasa. Para obtener más detalles, consulte “Cómo usar la válvula de purga” más adelante en el manual.

**Para retirar un cartucho de grasa vacío, siga estos pasos:**

- Bloquee el gatillo en la posición de apagado y retire el paquete de baterías.
- Tire del mango del tubo de grasa con resorte completamente hacia fuera. Luego muévelo hacia un lado para trabarlo en la ranura estrecha.

**NOTA:** Asegúrese de que el mango del tubo de grasa esté bloqueado en su lugar antes de quitar el tubo.

- Gire el tubo de grasa en sentido antihorario para aflojarlo y retirarlo.

# FUNCIONAMIENTO

- Con el tubo de grasa orientado hacia arriba, tome el mango del tubo y quítelo de la ranura estrecha.
- Deje que el mango del tubo de grasa avance lentamente y expulse el cartucho de grasa (no incluido).

## CÓMO CARGAR GRASA DE UN CONTENEDOR A GRANEL

Vea las figuras 6 a 9, página 12.

La pistola de engrase se puede cargar directamente de un contenedor a granel o por medio de una bomba de llenado.

**Para cargarla directamente de un contenedor a granel, siga estos pasos:**

- Bloquee el gatillo en la posición de apagado y retire el paquete de baterías.
- Gire el tubo de grasa en sentido antihorario para aflojarlo y retirarlo.
- Sostenga el tubo de grasa con firmeza y gire el conjunto del émbolo en sentido antihorario para aflojarlo.
- Retire el conjunto del émbolo del tubo de grasa.
- Use un trapo limpio y seco para eliminar la grasa vieja del interior del tubo.
- Deslice el conjunto del émbolo nuevamente en el tubo de grasa y gírelo en sentido horario para asegurarlo.
- Con el mango del tubo de grasa completamente empujado hacia dentro, sumerja el extremo abierto del tubo de grasa en el contenedor a granel.
- Tire del mango del tubo de grasa con resorte completamente hacia fuera y de manera lenta para cargar grasa en el tubo. Luego muévelo hacia un lado para trabarlo en la ranura estrecha.

**NOTA:** Para evitar que se formen burbujas de aire dentro del tubo de grasa, mantenga el extremo abierto del tubo completamente sumergido y alejado de la superficie.

- Retire el tubo de grasa del contenedor a granel.
- Use un trapo limpio y seco para eliminar el exceso de grasa.
- Coloque el tubo de grasa nuevamente en la pistola de engrase y gírelo en sentido horario para asegurarlo.
- **NOTA:** Tenga cuidado de no dañar la rosca, ya que esto podría causar fugas en el tubo de grasa durante el uso.
- Agarre el mango del tubo de grasa y quítelo de la ranura estrecha.
- Deje que el mango del tubo de grasa avance lentamente hacia el tubo.

**NOTA:** Después de cargar la grasa, use la válvula de purga para purgar el aire atrapado en el tubo de grasa. Para obtener más detalles, consulte “**Cómo usar la válvula de purga**” más adelante en el manual.

**Para cargar grasa de un contenedor a granel utilizando una bomba de llenado y un acoplador de baja presión, siga estos pasos:**

- Bloquee el gatillo en la posición de apagado y retire el paquete de baterías.

- Gire el tubo de grasa en sentido antihorario para aflojarlo y retirarlo.
- Retire el conjunto del émbolo como se describió anteriormente.
- Use un trapo limpio y seco para eliminar la grasa vieja del interior del tubo.
- Conecte el conjunto del émbolo al tubo de grasa.
- Coloque el tubo de grasa nuevamente en la pistola de engrase y gírelo en sentido horario para asegurarlo.
- **NOTA:** Tenga cuidado de no dañar la rosca, ya que esto podría causar fugas en el tubo de grasa durante el uso.
- Localice el tapón de llenado cerca de la base de la herramienta.
- Con una llave hexagonal, afloje y retire el tapón de llenado del puerto de llenado a granel. Guarde el tapón de llenado para usarlo más tarde.
- Instale un acoplador de baja presión de 3,18 mm (1/8 pulg.) (no incluido) en el puerto de llenado.

**NOTA:** Asegúrese de que el acoplador (no incluido) sea compatible con la pistola de engrase y la bomba de llenado (no incluida). Si el acoplador no es compatible o si no encaja de manera apropiada, es posible que la grasa no se cargue correctamente.



### ADVERTENCIA:

NUNCA instale un acoplador de alta presión en el puerto de llenado a granel. Si usa un tipo de acoplador incorrecto, podría acumularse demasiada presión en la pistola de engrase. La presión excesiva podría hacer que partes de la herramienta tengan fugas o exploten, y ocasionar lesiones personales graves.

- Tire lentamente del mango del tubo de grasa hacia afuera mientras lo gira en sentido antihorario para desengancharlo del resto del conjunto del émbolo.
- **NOTA:** No corra el mango hacia la ranura estrecha.
- Una vez que haya desenganchado el mango, muévelo suavemente hacia el interior del tubo de grasa.
- Conecte el acoplador de baja presión (no incluido) de la pistola de engrase al acoplador de baja presión de la bomba de llenado (no incluida).
- **NOTA:** Los acopladores están diseñados para encajar sueltos entre sí y no para formar una conexión hermética. Este diseño evita que la pistola de engrase se llene demasiado.
- Utilizando la bomba de llenado (no incluida), cargue grasa en la unidad hasta que el mango del tubo de grasa se extienda aproximadamente 203,20 mm (8 pulg.).
- **NOTA:** Si el mango no se extiende, es posible que no esté desenganchado del resto del conjunto del émbolo. Desenganche el mango y vuelva a intentarlo.
- Gire lentamente el mango del tubo de grasa en sentido horario hasta que enganche con el resto del conjunto del émbolo.

# FUNCIONAMIENTO

- Desconecte la pistola de engrase de la bomba de llenado (no incluida).
- Incline la pistola de engrase hacia arriba para evitar derrames y, luego, cambie el acoplador (no incluido) por el tapón de llenado.
- Use un trapo limpio y seco para eliminar el exceso de grasa.
- Deje que el mango del tubo de grasa avance lentamente hacia el tubo.

**NOTA:** Después de cargar la grasa, use la válvula de purga para purgar el aire atrapado en el tubo de grasa. Para obtener más detalles, consulte “**Cómo usar la válvula de purga**” más adelante en el manual.

## USO DE LA PISTOLA DE ENGRASE

Vea las figura 10, página 13.

Esta herramienta viene de fábrica con grasa residual en el tubo de grasa y la manguera de alta presión. Antes de usar el producto por primera vez y cada vez que cambie el tipo de grasa, cargue la herramienta con grasa de su elección, apunte el acoplador de grasa hacia un contenedor de grasa aprobado y ponga la herramienta en funcionamiento hasta expulsar toda la grasa antigua y que comience a salir grasa nueva.

### **ADVERTENCIA:**

No apunte la grasa hacia las manos, los ojos u otras partes del cuerpo. Si no sigue esta regla, podría inyectarse grasa presurizada en la piel o los ojos, y causar una infección o lesiones personales graves.

### **ADVERTENCIA:**

Para reducir el riesgo de incendio, no agregue grasa a máquinas mientras estén en funcionamiento o calientes. El fuego podría provocar la muerte o lesiones graves.

- Cargue grasa como se describió anteriormente en el manual.
- Instale el paquete de baterías.
- Sostenga la pistola de engrase cerca del objeto que desea lubricar o colóquela sobre la base en un lugar estable.
- Sujete la manguera de alta presión del protector con resorte y retírela de los sujetadores de la manguera.

### **ADVERTENCIA:**

Sostenga la manguera de alta presión del protector con resorte y mantenga las manos alejadas de las partes de goma expuestas de la manguera. Si sigue esta regla, reducirá el riesgo de inyección.

- Conecte el acoplador de grasa a la graseras o el componente que desea lubricar.

**NOTA:** Tire suavemente del acoplador de grasa para asegurarse de que esté bien conectado. Si no está bien sujetado a la graseras o al componente, el acoplador podría dañarse y tener que reemplazarse.

- Deslice el botón del seguro de apagado hasta la posición de desbloqueo y presione el gatillo para iniciar el flujo de grasa.

### **ADVERTENCIA:**

Durante la operación, revise la manguera de alta presión, el acoplador de grasa, la válvula de purga y otros componentes de la herramienta para asegurarse de que no haya fugas. Si hay una fuga, detenga la pistola de engrase de inmediato y deje de usarla hasta reparar la fuga. Las mangueras y graseras con fugas podrían ocasionar lesiones por inyección.

- La herramienta debe proporcionar un flujo continuo de grasa con el gatillo presionado. Si la pistola de engrase no bombea grasa, es posible que haya burbujas de aire en el tubo. Use la válvula de purga para purgar el aire atrapado en el tubo. Para obtener más detalles, consulte “**Cómo usar la válvula de purga**” más adelante en el manual.
- Cuando finalice el trabajo, suelte el gatillo y retire el acoplador.  
**NOTA:** Si resulta difícil quitar el acoplador, muévelo de un lado a lado para eliminar la presión residual e intente nuevamente.
- Antes de guardar la herramienta, bloquee el gatillo en la posición de apagado y retire el paquete de baterías.

## CÓMO USAR LA VÁLVULA DE PURGA

Vea la figura 11, página 13.

La presencia de aire en el interior del tubo de grasa podría hacer que la pistola de engrase se detenga durante la operación. Use la válvula de purga para purgar el aire del sistema después de cargar grasa o según sea necesario durante la operación.

- Bloquee el gatillo en la posición de apagado y retire el paquete de baterías.
- Para permitir que escape el aire atrapado, afloje la válvula de purga sin retirarla.
- Ajuste la válvula de purga.
- Instale el paquete de baterías.
- Sujete la manguera de alta presión del protector con resorte y retírela de los sujetadores de la manguera.
- Apunte el acoplador de grasa hacia un contenedor de grasa aprobado.
- Deslice el botón del seguro de apagado hasta la posición de desbloqueo y presione el gatillo para iniciar el flujo de grasa.
- Si la pistola de engrase continúa deteniéndose y la grasa no fluye, repita estos pasos.

# MANTENIMIENTO

## ADVERTENCIA:

Al dar servicio a la unidad, sólo utilice piezas de repuesto idénticas. El empleo de piezas diferentes puede causar un peligro o dañar el producto.

## ADVERTENCIA:

Siempre póngase protección ocular con protección lateral con la marca de cumplimiento de la norma ANSI Z87.1. Si no cumple esta advertencia, los objetos que salen despedidos pueden producirle lesiones serias en los ojos.

## MANTENIMIENTO GENERAL

Evite el empleo de solventes al limpiar piezas de plástico. La mayoría de los plásticos son susceptibles a diferentes tipos de solventes comerciales y pueden resultar dañados. Utilice paños limpios para eliminar la suciedad, el polvo, el aceite, la grasa, etc.

## ADVERTENCIA:

No permita en ningún momento que fluidos para frenos, gasolina, productos a base de petróleo, aceites penetrantes, etc., lleguen a tocar las piezas de plástico. Las sustancias químicas pueden dañar, debilitar o destruir el plástico, lo cual a su vez puede producir lesiones corporales serias.

## CÓMO LIMPIAR EL ÁREA DE LA VÁLVULA DE RETENCIÓN

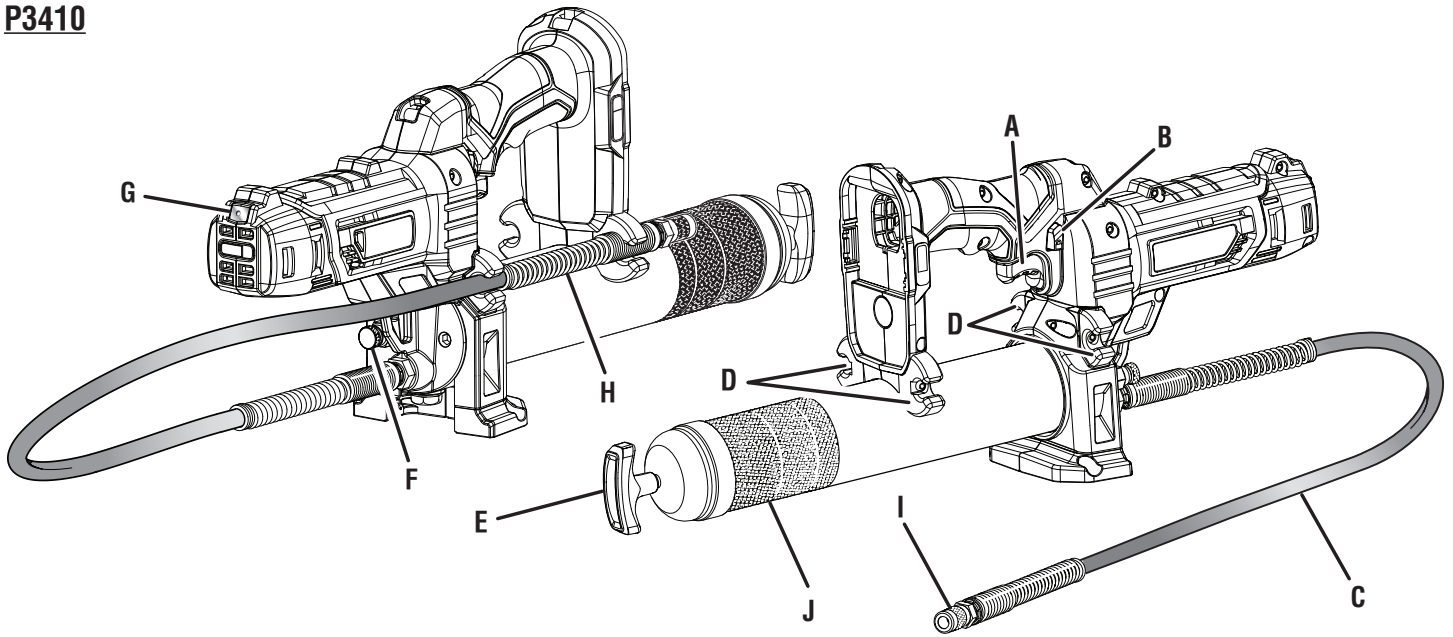
Veá la figura 12, página 13.

Si la grasa no fluye libremente al presionar el gatillo, es posible que haya contaminantes que obstruyan el área de la válvula de retención. **Para limpiar el área de la válvula de retención, siga estos pasos:**

- Bloquee el gatillo en la posición de apagado y retire el paquete de baterías.
- Retire el perno de la válvula de retención, la arandela, el resorte y la bola del área de la válvula de retención.
- Con un trapo limpio y seco, elimine la grasa y los contaminantes presentes en el perno, la arandela, el resorte, la bola y el área de la válvula de retención.
- Vuelva a instalar la bola, el resorte, la arandela y el perno de la válvula de retención. Ajuste el perno para asegurarlo.

## CÓMO ALMACENAR LA PISTOLA DE ENGRASE

- Bloquee el gatillo en la posición de apagado y retire el paquete de baterías.
- Retire el tubo de grasa.
- Deseche el cartucho de grasa (si corresponde) y retire la grasa vieja del interior del tubo.
- Vuelva a colocar el tubo de grasa.
- Coloque el paquete de baterías, apunte el acoplador de grasa hacia un contenedor de grasa aprobado y haga funcionar la herramienta hasta expulsar toda la grasa.
- Bloquee el gatillo en la posición de apagado y retire el paquete de baterías.
- Almacene la unidad, los accesorios y la grasa en un área que no alcance temperaturas demasiado bajas. No almacene estos elementos cerca de un horno u otras fuentes de calor que puedan secar la bomba, la manguera de alta presión u otros componentes. Mantenga el producto fuera del alcance de los niños.

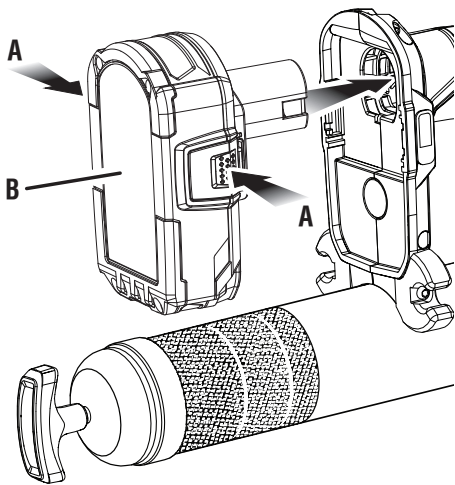


A - Switch trigger (gâchette de commutateur, gatillo del interruptor)  
 B - Lock-off button (bouton de verrouillage, botón del seguro de apagado)  
 C - High pressure hose (tuyau haute pression, manguera de alta presión)

D - Hose clip (clip de tuyau flexible, sujetador de manguera)  
 E - Grease tube handle (poignée du tube de graisse, mango del tubo de grasa)  
 F - Purge valve (soupape de purge, válvula de purga)

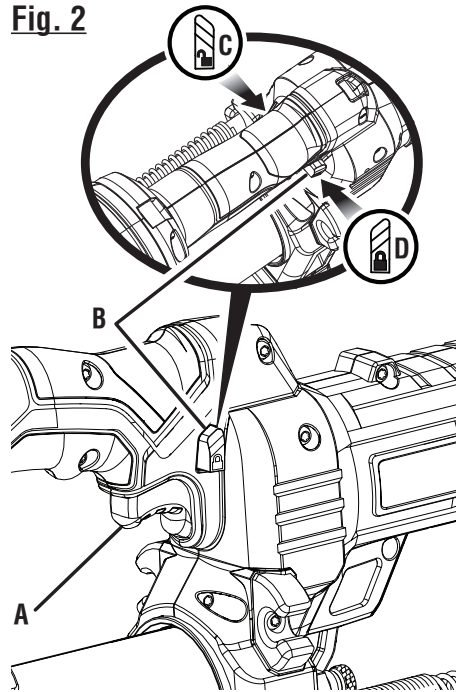
G - LED light (lampes à del, diodo lumineux)  
 H - Spring guard (ressort de protection, protector con resorte)  
 I - Grease coupler (coupleur à graisse, acoplador de grasa)  
 J - Grease tube (tube de graisse, tubo de grasa)

**Fig. 1**



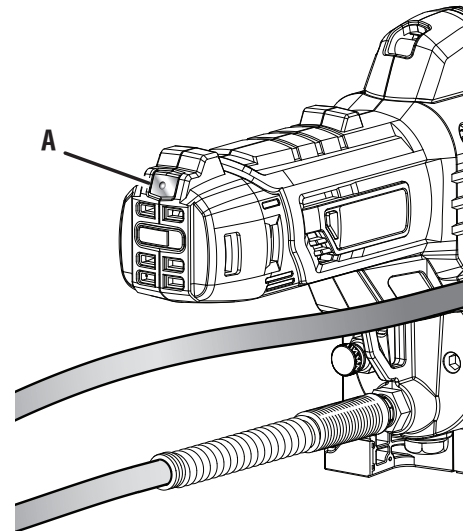
A - Depress latches to remove battery pack (appuyer sur les loquets pour libérer le bloc-piles, para soltar el paquete de baterías, oprima los pestillos)  
 B - Battery pack (bloc-piles, paquete de baterías)

**Fig. 2**



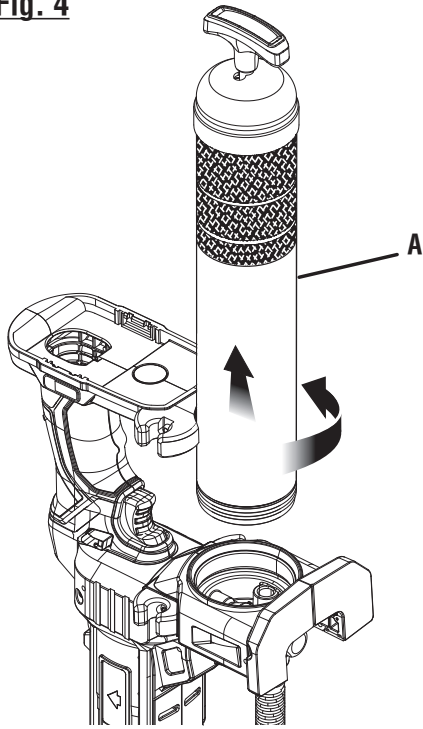
A - Switch trigger (gâchette de commutateur, gatillo del interruptor)  
 B - Lock-off button (bouton de verrouillage, botón del seguro de apagado)  
 C - Unlocked position (position déverrouillée, posición de desbloqueo)  
 D - Locked position (position verrouillée, posición de bloqueo)

**Fig. 3**



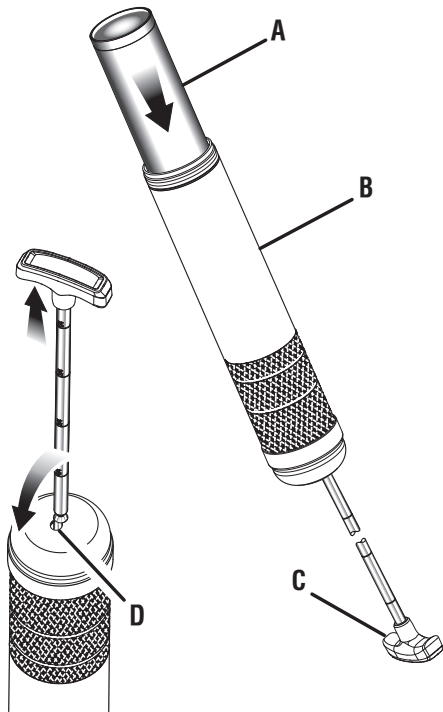
A - LED light (lampes à del, diodo lumineux)

**Fig. 4**



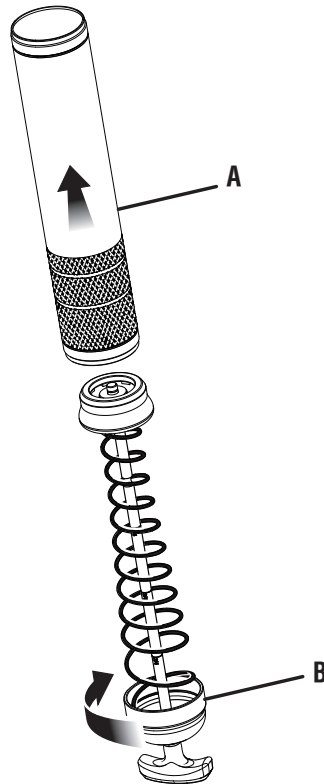
A - Grease tube (tube de graisse, tubo de grasa)

**Fig. 5**



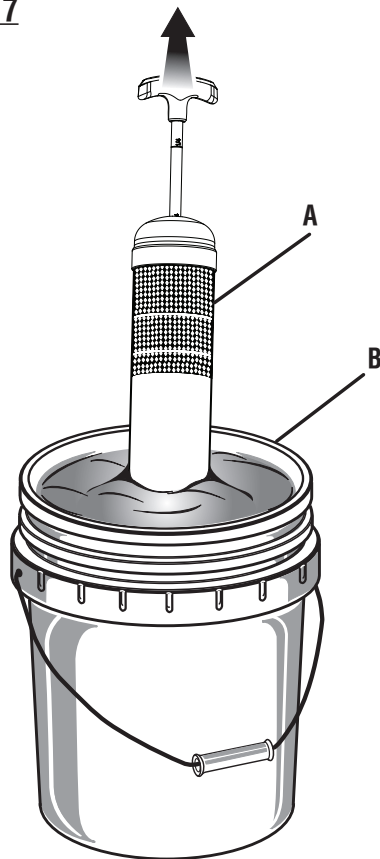
A - Grease cartridge (not provided) [cartouche de graisse (non comprise), cartucho de grasa (no incluido)]  
 B - Grease tube (tube de graisse, tubo de grasa)  
 C - Grease tube handle (poignée du tube de graisse, mango del tubo de grasa)  
 D - Narrow slot (fente étroite, ranura estrecha)

**Fig. 6**



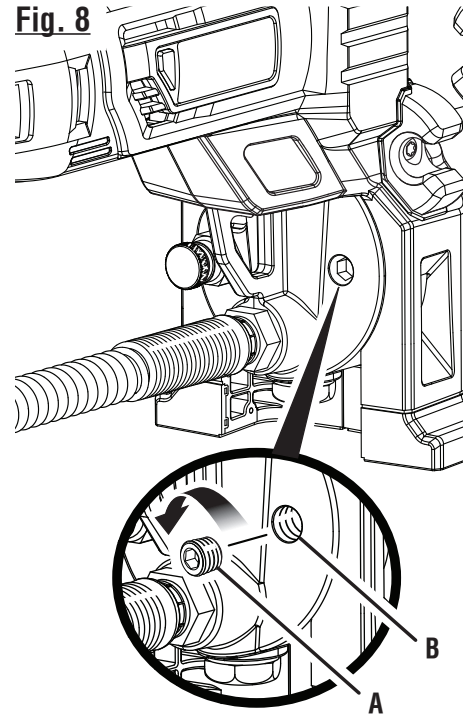
A - Grease tube (tube de graisse, tubo de grasa)  
 B - Plunger assembly (ensemble de piston, conjunto del émbolo)

**Fig. 7**



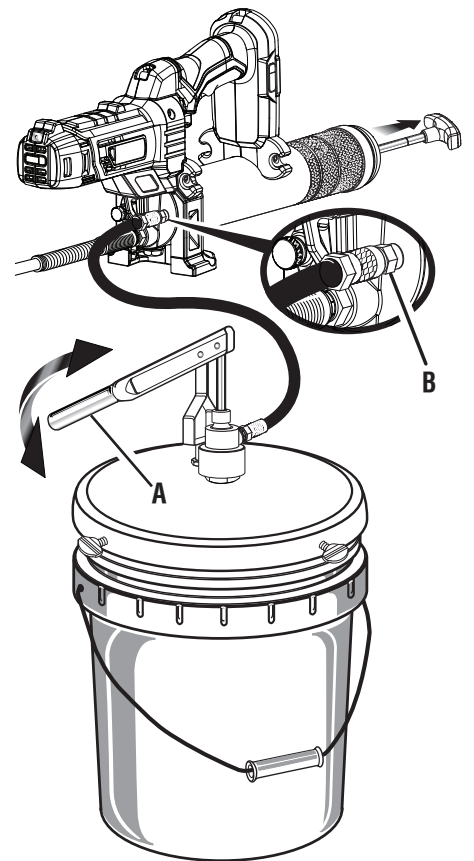
A - Grease tube (tube de graisse, tubo de grasa)  
 B - Bulk container (contenant en vrac, contenedor a granel)

**Fig. 8**



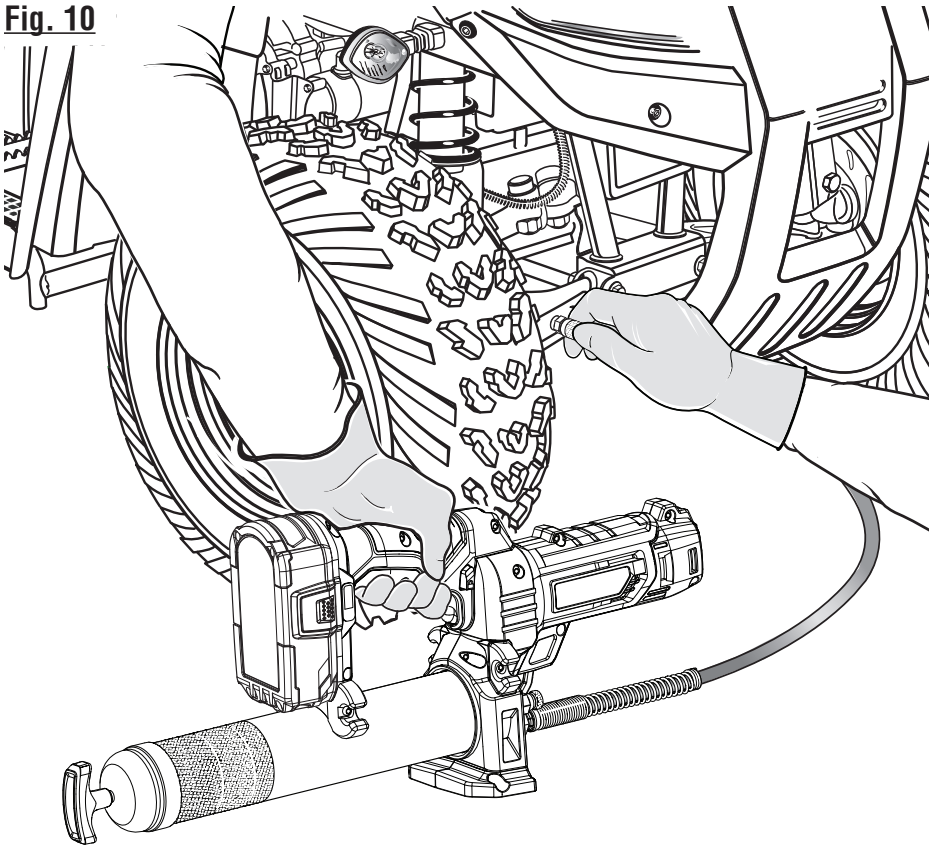
A - Fill plug (bouchon de remplissage, tapón de llenado)  
 B - Bulk fill port (port de remplissage en vrac, puerto de llenado a granel)

**Fig. 9**

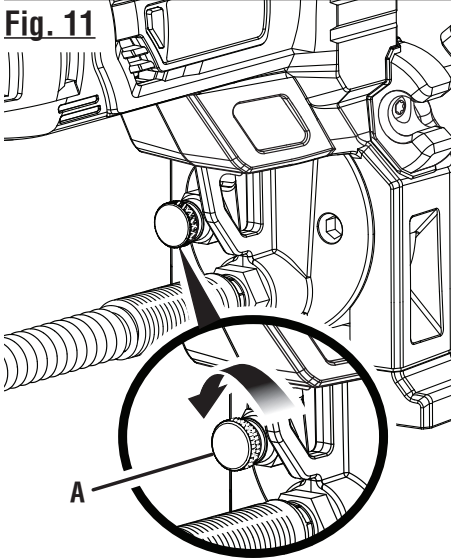


A - Filler pump (pompe de remplissage, bomba de llenado)  
 B - Coupler (coupleur, acoplador)

**Fig. 10**

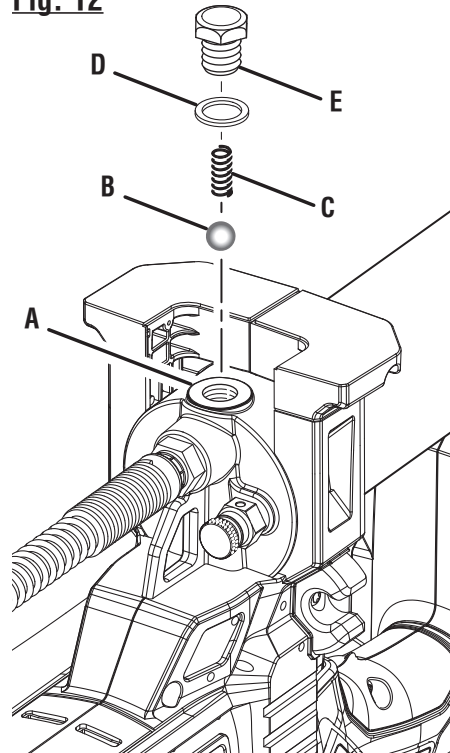


**Fig. 11**



A - Purge valve (soupape de purge, válvula de purga)

**Fig. 12**



A - Check valve area (zone du clapet antiretour, área de la válvula de retención)  
B - Ball (bille, bola)  
C - Spring (ressort, resorte)  
D - Washer (rondelle, arandela)  
E - Check valve bolt (boulon du clapet antiretour, perno de la válvula de retención)



**OPERATOR'S MANUAL/18 VOLT GREASE GUN**  
**MANUEL D'UTILISATION / PISTOLET GRAISSEUR DE 18 V**  
**MANUAL DEL OPERADOR/PISTOLA DE ENGRASE DE 18 V**  
**P3410**

To request service, purchase replacement parts,  
locate an Authorized Service Center and obtain Customer or Technical Support:

Visit **www.ryobitools.com** or call **1-800-525-2579**

If any parts or accessories are damaged or missing,  
do not return this product to the store. Call **1-800-525-2579** for immediate service.

Please obtain your model and serial number from the product data plate.  
**This product is covered under a 3-year limited Warranty. Proof of purchase is required.**

MODEL NUMBER \_\_\_\_\_ SERIAL NUMBER \_\_\_\_\_

RYOBI is a registered trademark of Ryobi Limited and is used pursuant to a license granted by Ryobi Limited.

Pour faire une demande de réparations ou obtenir des pièces de rechange, trouver un  
Centre de réparations agréé pour obtenir un soutien technique ou le Service à la clientèle :

Visiter **www.ryobitools.com** ou en téléphonant au **1-800-525-2579**

Si des pièces ou accessoires sont manquantes ou endommagées, ne pas retourner  
ce produit au magasin. Appeler immédiatement au **1-800-525-2579** pour obtenir de l'aide.

Inscrire les numéros de modèle et de série inscrits sur la plaque d'identification du produit.  
**Ce produit est couvert par une garantie limitée de trois (3) ans. Une preuve d'achat est exigée.**

NUMÉRO DE MODÈLE \_\_\_\_\_ NUMÉRO DE SÉRIE \_\_\_\_\_

RYOBI est une marque déposée de Ryobi Limited et est utilisée en vertu d'une licence accordée par Ryobi Limited.

Para obtener servicio, comprar piezas de repuesto, localizar un centro de servicio autorizado  
y obtener Servicio o Asistencia Técnica al Consumidor:

Visite **www.ryobitools.com** o llame al **1-800-525-2579**

Si hay alguna pieza ou accesorios dañada o faltante, no devuelva este producto a la tienda.  
Llame al **1-800-525-2579** para servicio técnico inmediato.

Obtenga su modelo y número de serie de la placa de datos del producto.  
**Este producto está cubierto con una garantía limitada de 3 años. Se solicita prueba de la compra.**

NÚMERO DE MODELO \_\_\_\_\_ NÚMERO DE SERIE \_\_\_\_\_

RYOBI es una marca registrada de Ryobi Limited y se utiliza conforme a una licencia otorgada por Ryobi Limited.

**ONE WORLD TECHNOLOGIES, INC.**

P.O. Box 1288, Anderson, SC 29622 • Phone 1-800-525-2579  
États-Unis, Téléphone 1-800-525-2579 • USA, Teléfono 1-800-525-2579

**www.ryobitools.com**