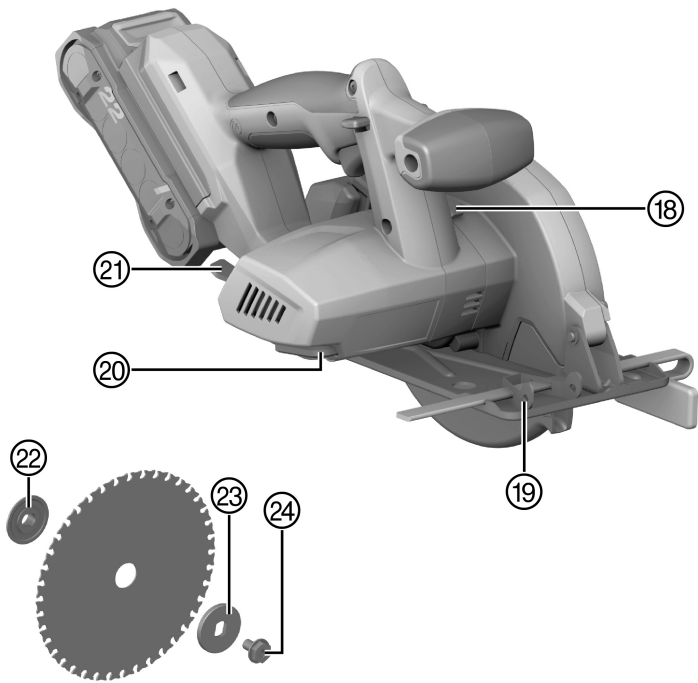
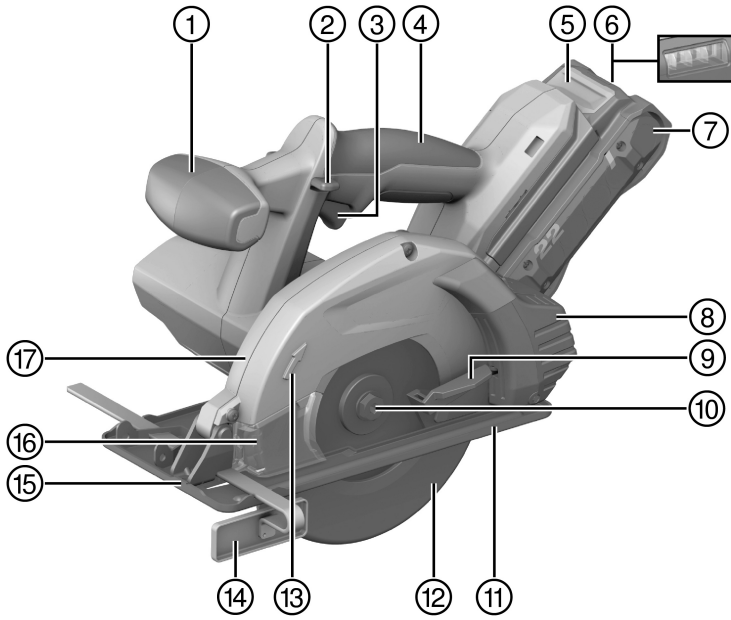


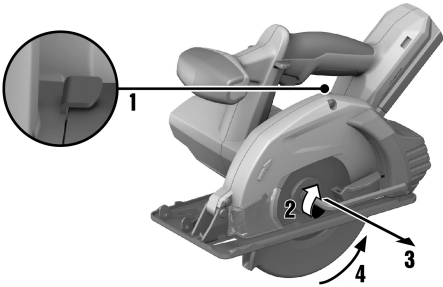


SC 5ML-22
NURON

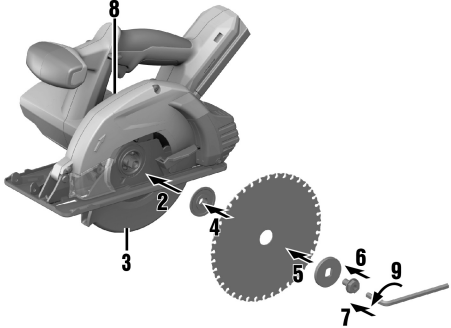
English	1
Français	15
Español	31
Português	47



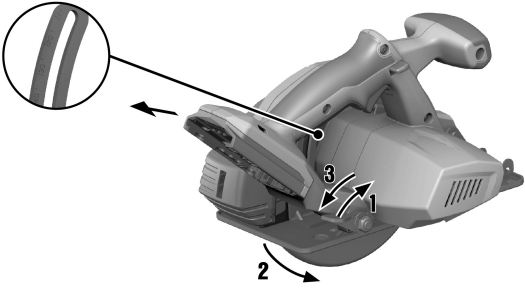
2



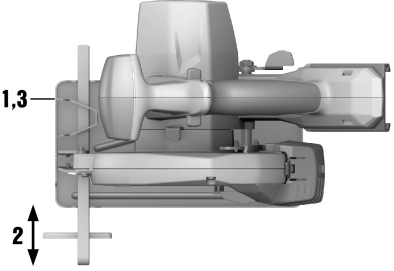
3



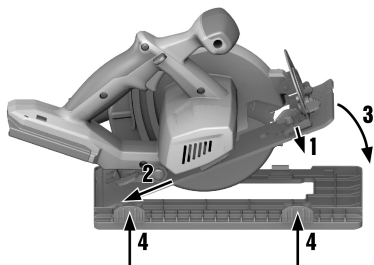
4



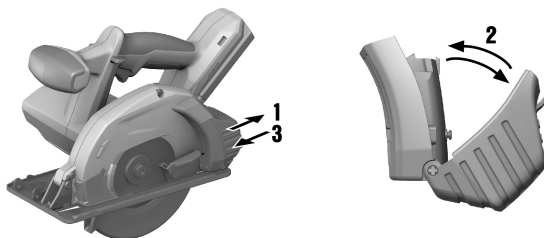
5



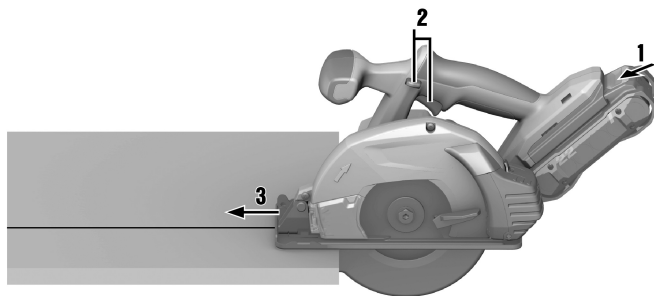
6



7



8



SC 5ML-22

en	Original operating instructions	1
fr	Notice d'utilisation originale	15
es	Manual de instrucciones original	31
pt	Manual de instruções original	47

Original operating instructions

1 Information about the documentation

1.1 About this documentation

- Read this documentation before initial operation or use. This is a prerequisite for safe, trouble-free handling and use of the product.
- Observe the safety instructions and warnings in this documentation and on the product.
- Always keep the operating instructions with the product and make sure that the operating instructions are with the product when it is given to other persons.

1.2 Explanation of symbols

1.2.1 Warnings

Warnings alert persons to hazards that occur when handling or using the product. The following signal words are used:

DANGER

DANGER !

- ▶ Draws attention to imminent danger that will lead to serious personal injury or fatality.

WARNING

WARNING !

- ▶ Draws attention to a potential threat of danger that can lead to serious injury or fatality.

CAUTION

CAUTION !

- ▶ Draws attention to a potentially dangerous situation that could lead to personal injury or damage to the equipment or other property.

1.2.2 Symbols in the operating instructions

The following symbols are used in these operating instructions:

	Comply with the operating instructions
	Instructions for use and other useful information
	Dealing with recyclable materials
	Do not dispose of electric equipment and batteries as household waste
	Hilti Li-ion battery
	Hilti charger

1.2.3 Symbols in illustrations

The following symbols are used in illustrations:

	These numbers refer to the illustrations at the beginning of these operating instructions.
	The numbering reflects the sequence of operations shown in the illustrations and may deviate from the steps described in the text.
	Item reference numbers are used in the overview illustration and refer to the numbers used in the key in the product overview section.
	These characters are intended to specifically draw your attention to certain points when handling the product.



1.3 Product-dependent symbols

1.3.1 Symbols

The following symbols can be used on the product:

	Rated speed under no load
	Direct current (DC)
	Direction-of-rotation arrow
RPM	Revolutions per minute
	Diameter
	Saw blade
	The product supports wireless data transmission compatible with iOS and Android platforms.
	If applied on the product, the product has been certified by this certification body for the US and Canadian markets according to the applicable standards.

1.3.2 Additional symbols for cordless products

The following symbols are used on the product:

	Hilti Li-ion battery type series used. Observe the information given in the section headed Intended use.
Li-ion	Li-ion battery
	Never use the battery as a striking tool.
	Do not drop the battery. Never use a battery that has suffered an impact or is damaged in any other way.

1.3.3 Obligation symbols

The following obligation symbols are used on the product:

	Wear eye protection
--	---------------------

1.4 Product information

products are designed for professional users and only trained, authorized personnel are permitted to operate, service and maintain the products. This personnel must be specifically informed about the possible hazards. The product and its ancillary equipment can present hazards if used incorrectly by untrained personnel or if used not in accordance with the intended use.

The type designation and serial number are printed on the rating plate.

- ▶ Write down the serial number in the table below. You will be required to state the product details when contacting Hilti Service or your local Hilti organization to inquire about the product.

Product information

Circular saw	SC 5ML-22
Generation:	01
Serial no.:	



2 Safety

2.1 General power tool safety warnings

⚠ WARNING Read all safety warnings, instructions, illustrations and specifications provided with this power tool. Failure to follow all instructions listed below may result in electric shock, fire and/or serious injury. **Save all warnings and instructions for future reference.**

The term "power tool" in the warnings refers to your mains-operated (corded) power tool or battery-operated (cordless) power tool.

Work area safety

- ▶ **Keep work area clean and well lit.** Cluttered or dark areas invite accidents.
- ▶ **Do not operate power tools in explosive atmospheres, such as in the presence of flammable liquids, gases or dust.** Power tools create sparks which may ignite the dust or fumes.
- ▶ **Keep children and bystanders away while operating a power tool.** Distractions can cause you to lose control.

Electrical safety

- ▶ **Power tool plugs must match the outlet. Never modify the plug in any way. Do not use any adapter plugs with earthed (grounded) power tools.** Unmodified plugs and matching outlets will reduce risk of electric shock.
- ▶ **Avoid body contact with earthed or grounded surfaces, such as pipes, radiators, ranges and refrigerators.** There is an increased risk of electric shock if your body is earthed or grounded.
- ▶ **Do not expose power tools to rain or wet conditions.** Water entering a power tool will increase the risk of electric shock.
- ▶ **Do not abuse the cord. Never use the cord for carrying, pulling or unplugging the power tool. Keep cord away from heat, oil, sharp edges or moving parts.** Damaged or entangled cords increase the risk of electric shock.
- ▶ **When operating a power tool outdoors, use an extension cord suitable for outdoor use.** Use of a cord suitable for outdoor use reduces the risk of electric shock.
- ▶ **If operating a power tool in a damp location is unavoidable, use a residual current device (RCD) protected supply.** Use of an RCD reduces the risk of electric shock.

Personal safety

- ▶ **Stay alert, watch what you are doing and use common sense when operating a power tool. Do not use a power tool while you are tired or under the influence of drugs, alcohol or medication.** A moment of inattention while operating power tools may result in serious personal injury.
- ▶ **Use personal protective equipment. Always wear eye protection.** Protective equipment such as a dust mask, non-skid safety shoes, hard hat or hearing protection used for appropriate conditions will reduce personal injuries.
- ▶ **Prevent unintentional starting. Ensure the switch is in the off-position before connecting to power source and/or battery pack, picking up or carrying the tool.** Carrying power tools with your finger on the switch or energising power tools that have the switch on invites accidents.
- ▶ **Remove any adjusting key or wrench before turning the power tool on.** A wrench or a key left attached to a rotating part of the power tool may result in personal injury.
- ▶ **Do not overreach. Keep proper footing and balance at all times.** This enables better control of the power tool in unexpected situations.
- ▶ **Dress properly. Do not wear loose clothing or jewellery. Keep your hair and clothing away from moving parts.** Loose clothes, jewellery or long hair can be caught in moving parts.
- ▶ **If devices are provided for the connection of dust extraction and collection facilities, ensure these are connected and properly used.** Use of dust collection can reduce dust-related hazards.
- ▶ **Do not let familiarity gained from frequent use of tools allow you to become complacent and ignore tool safety principles.** A careless action can cause severe injury within a fraction of a second.

Power tool use and care

- ▶ **Do not force the power tool. Use the correct power tool for your application.** The correct power tool will do the job better and safer at the rate for which it was designed.
- ▶ **Do not use the power tool if the switch does not turn it on and off.** Any power tool that cannot be controlled with the switch is dangerous and must be repaired.
- ▶ **Disconnect the plug from the power source and/or remove the battery pack, if detachable, from the power tool before making any adjustments, changing accessories, or storing power tools.** Such preventive safety measures reduce the risk of starting the power tool accidentally.



- ▶ **Store idle power tools out of the reach of children and do not allow persons unfamiliar with the power tool or these instructions to operate the power tool.** Power tools are dangerous in the hands of untrained users.
- ▶ **Maintain power tools and accessories. Check for misalignment or binding of moving parts, breakage of parts and any other condition that may affect the power tool's operation. If damaged, have the power tool repaired before use.** Many accidents are caused by poorly maintained power tools.
- ▶ **Keep cutting tools sharp and clean.** Properly maintained cutting tools with sharp cutting edges are less likely to bind and are easier to control.
- ▶ **Use the power tool, accessories and tool bits etc. in accordance with these instructions, taking into account the working conditions and the work to be performed.** Use of the power tool for operations different from those intended could result in a hazardous situation.
- ▶ **Keep handles and grasping surfaces dry, clean and free from oil and grease.** Slippery handles and grasping surfaces do not allow for safe handling and control of the tool in unexpected situations.

Battery tool use and care

- ▶ **Recharge only with the charger specified by the manufacturer.** A charger that is suitable for one type of battery pack may create a risk of fire when used with another battery pack.
- ▶ **Use power tools only with specifically designated battery packs.** Use of any other battery packs may create a risk of injury and fire.
- ▶ **When battery pack is not in use, keep it away from other metal objects, like paper clips, coins, keys, nails, screws or other small metal objects, that can make a connection from one terminal to another.** Shorting the battery terminals together may cause burns or a fire.
- ▶ **Under abusive conditions, liquid may be ejected from the battery; avoid contact. If contact accidentally occurs, flush with water. If liquid contacts eyes, additionally seek medical help.** Liquid ejected from the battery may cause irritation or burns.
- ▶ **Do not use a battery pack or tool that is damaged or modified.** Damaged or modified batteries may exhibit unpredictable behaviour resulting in fire, explosion or risk of injury.
- ▶ **Do not expose a battery pack or tool to fire or excessive temperature.** Exposure to fire or temperature above 130° C (265 °F) may cause explosion.
- ▶ **Follow all charging instructions and do not charge the battery pack or tool outside the temperature range specified in the instructions.** Charging improperly or at temperatures outside the specified range may damage the battery and increase the risk of fire.

Service

- ▶ **Have your power tool serviced by a qualified repair person using only identical replacement parts.** This will ensure that the safety of the power tool is maintained.
- ▶ **Never service damaged battery packs.** Service of battery packs should only be performed by the manufacturer or authorized service providers.

2.2 Safety instructions for all saws

Cutting procedures

- ▶ **⚠ DANGER: Keep hands away from cutting area and the blade. Keep your second hand on auxiliary handle, or motor housing.** If both hands are holding the saw, they cannot be cut by the blade.
- ▶ **Do not reach underneath the workpiece.** The guard cannot protect you from the blade below the workpiece.
- ▶ **Adjust the cutting depth to the thickness of the workpiece.** Less than a full tooth of the blade teeth should be visible below the workpiece.
- ▶ **Never hold the workpiece in your hands or across your leg while cutting. Secure the workpiece to a stable platform.** It is important to support the work properly to minimise body exposure, blade binding, or loss of control.
- ▶ **Hold the power tool by insulated gripping surfaces, when performing an operation where the cutting tool may contact hidden wiring.** Contact with a "live" wire will also make exposed metal parts of the power tool "live" and could give the operator an electric shock.
- ▶ **When ripping, always use a rip fence or straight edge guide.** This improves the accuracy of cut and reduces the chance of blade binding.
- ▶ **Always use blades with correct size and shape (diamond versus round) of arbour holes.** Blades that do not match the mounting hardware of the saw will run off-centre, causing loss of control.
- ▶ **Never use damaged or incorrect blade washers or bolt.** The blade washers and bolt were specially designed for your saw, for optimum performance and safety of operation.



Kickback causes and related warnings

- kickback is a sudden reaction to a pinched, jammed or misaligned saw blade, causing an uncontrolled saw to lift up and out of the workpiece toward the operator;
- when the blade is pinched or jammed tightly by the kerf closing down, the blade stalls and the motor reaction drives the unit rapidly back toward the operator;
- if the blade becomes twisted or misaligned in the cut, the teeth at the back edge of the blade can dig into the top surface of the wood causing the blade to climb out of the kerf and jump back toward the operator.

Kickback is the result of saw misuse and/or incorrect operating procedures or conditions and can be avoided by taking proper precautions as given below.

- ▶ **Maintain a firm grip with both hands on the saw and position your arms to resist kickback forces. Position your body to either side of the blade, but not in line with the blade.** Kickback could cause the saw to jump backwards, but kickback forces can be controlled by the operator, if proper precautions are taken.
- ▶ **When blade is binding, or when interrupting a cut for any reason, release the trigger and hold the saw motionless in the material until the blade comes to a complete stop. Never attempt to remove the saw from the work or pull the saw backward while the blade is in motion or kickback may occur.** Investigate and take corrective actions to eliminate the cause of blade binding.
- ▶ **When restarting a saw in the workpiece, centre the saw blade in the kerf so that the saw teeth are not engaged into the material.** If a saw blade binds, it may walk up or kickback from the workpiece as the saw is restarted.
- ▶ **Support large panels to minimise the risk of blade pinching and kickback.** Large panels tend to sag under their own weight. Supports must be placed under the panel on both sides, near the line of cut and near the edge of the panel.
- ▶ **Do not use dull or damaged blades.** Unsharpened or improperly set blades produce narrow kerf causing excessive friction, blade binding and kickback.
- ▶ **Blade depth and bevel adjusting locking levers must be tight and secure before making the cut.** If blade adjustment shifts while cutting, it may cause binding and kickback.
- ▶ **Use extra caution when sawing into existing walls or other blind areas.** The protruding blade may cut objects that can cause kickback.

Lower guard function

- ▶ **Check the lower guard for proper closing before each use. Do not operate the saw if the lower guard does not move freely and close instantly. Never clamp or tie the lower guard into the open position.** If the saw is accidentally dropped, the lower guard may be bent. Raise the lower guard with the retracting handle and make sure it moves freely and does not touch the blade or any other part, in all angles and depths of cut.
- ▶ **Check the operation of the lower guard spring. If the guard and the spring are not operating properly, they must be serviced before use.** Lower guard may operate sluggishly due to damaged parts, gummy deposits, or a build-up of debris.
- ▶ **The lower guard may be retracted manually only for special cuts such as "plunge cuts" and "compound cuts". Raise the lower guard by the retracting handle and as soon as the blade enters the material, the lower guard must be released.** For all other sawing, the lower guard should operate automatically.
- ▶ **Always observe that the lower guard is covering the blade before placing the saw down on bench or floor.** An unprotected, coasting blade will cause the saw to walk backwards, cutting whatever is in its path. Be aware of the time it takes for the blade to stop after switch is released.

Guard function

- ▶ **Check the guard for proper closing before each use. Do not operate the saw if the guard does not move freely and enclose the blade instantly. Never clamp or tie the guard so that the blade is exposed.** If the saw is accidentally dropped, the guard may be bent. Check to make sure that the guard moves freely and does not touch the blade or any other part, in all angles and depths of cut.
- ▶ **Check the operation and condition of the guard return spring. If the guard and the spring are not operating properly, they must be serviced before use.** The guard may operate sluggishly due to damaged parts, gummy deposits, or a build-up of debris.
- ▶ **Assure that the base plate of the saw will not shift while performing a "plunge cut".** Blade shifting sideways will cause binding and likely kick back.
- ▶ **Always observe that the guard is covering the blade before placing the saw down on bench or floor.** An unprotected, coasting blade will cause the saw to walk backwards, cutting whatever is in its path. Be aware of the time it takes for the blade to stop after the switch is released.



2.3 Additional safety instructions

Personal safety

- ▶ Never tamper with or modify the product or accessories in any way.
- ▶ Operate the power tool only together with the safety devices that belong to it.
- ▶ If you use the power tool without a dust extractor, always wear light respiratory protection when undertaking work that creates dust.
- ▶ Always hold the power tool firmly with both hands on the grips provided.
- ▶ Wear ear protectors. Exposure to noise can cause hearing loss.
- ▶ Improve the blood circulation in your fingers by relaxing your hands and exercising your fingers during breaks between working.
- ▶ The power tool is not intended for use by debilitated persons who have received no special training.
- ▶ Do not switch the power tool on until it is at the workplace and has been brought to its working position.
- ▶ Remove the battery if a problem occurs with the power tool, whenever you change accessory tools or accessories and before storing or transporting the power tool.
- ▶ Do not work overhead with the power tool.
- ▶ Do not attempt to brake the power tool by applying lateral pressure to the saw blade.
- ▶ Before inserting the battery, check that the saw is switched off and that the switch-on interlock is activated. In this way you avoid injuries due to unintentional starting of the power tool.
- ▶ While the power tool is running, do not touch the clamping flange or the clamping screw.
- ▶ Before you lay down the power tool, wait until the power tool has come to a complete stop.
- ▶ Before changing the accessory tool, wait until the power tool has cooled down.
- ▶ Never press the drive spindle lock button while the saw blade is rotating.
- ▶ Never direct the power tool toward persons.
- ▶ The switch-on interlock must always be activated whenever you change accessories or the battery, for transport and when you are going to stow the power tool away.
- ▶ Always use a saw blade suitable for the material and the condition of the workpiece.
- ▶ Adapt forward pressure to the saw blade and the material being cut. In this way you prevent the saw blade from stalling and possibly causing kickback.
- ▶ Metal cuttings are sharp and can lead to injuries. Keep your clothing closed so that cuttings cannot find their way into your gloves, shoes or other parts of your clothing.
- ▶ Pay attention to the direction in which the metal cuttings fly. The metal cuttings are hot and can lead to fire, burns and cut injuries.
- ▶ Avoid overheating the tips of the saw blade teeth.
- ▶ The rated speed of the accessory tool must be at least equal to the maximum speed marked on the power tool. Accessories running faster than their rated speed can disintegrate and fly apart.
- ▶ Do not work in an environment heavily contaminated with dust.
- ▶ Dust produced by grinding, sanding, cutting and drilling can contain dangerous chemicals. Some examples are: lead or lead-based paints; brick, concrete and other masonry products, natural stone and other products containing silicates; certain types of wood, such as oak, beech and chemically treated wood; asbestos or materials that contain asbestos. Determine the exposure of the operator and bystanders by means of the hazard classification of the materials to be worked. Implement the necessary measures to restrict exposure to a safe level, for example by the use of a dust collection system or by the wearing of suitable respiratory protection. The general measures for reducing exposure include:
 - ▶ working in an area that is well ventilated,
 - ▶ avoidance of prolonged contact with dust,
 - ▶ directing dust away from the face and body,
 - ▶ wearing protective clothing and washing exposed areas of the skin with water and soap.
- ▶ Always wear a dust mask that meets the requirements of the application.
- ▶ Before starting work, check the hazard class of the dust that will be produced when working. Use an industrial vacuum cleaner with an officially approved protection classification in compliance with locally applicable dust protection regulations.
- ▶ Comply with national health and safety requirements.
- ▶ Use clamps or some other practical means to secure the workpiece and keep it in a stable position. Attempting to stabilize the workpiece by hand or with your body is inadequate and can result in loss of control. Do not have the workpiece held in position by a helper.
- ▶ Do not look directly into the light source (LEDs) incorporated in the power tool and do not direct the light at other persons' faces.



- ▶ Risk of injury by falling tools and/or accessories. Before starting work, check that installed accessories are secure.
- ▶ Bring the saw blade into contact with the workpiece only when the circular saw is switched on.
- ▶ Use only saw blades recommended by **Hilti** that comply with the EN 847-1 standard.

Electrical safety

- ▶ Before beginning work, check the working area (e.g. using a detector) to ensure that no concealed electric cables or gas and water pipes are present. External metal parts of the power tool can become live, for example if you accidentally damage electric wiring. This causes an increased risk of electric shock.

2.4 Battery use and care

- ▶ **Comply with the following safety instructions for the safe handling and use of Li-ion batteries.** Failure to comply can lead to skin irritation, severe corrosive injury, chemical burns, fire and/or explosion.
- ▶ Use only batteries that are in perfect working order.
- ▶ Treat batteries with care in order to avoid damage and prevent leakage of fluids that are extremely harmful to health!
- ▶ Do not under any circumstances modify or tamper with batteries!
- ▶ Do not disassemble, crush or incinerate batteries and do not subject them to temperatures over 80 °C (176 °F).
- ▶ Never use or charge a battery that has suffered an impact or been damaged in any other way. Check your batteries regularly for signs of damage.
- ▶ Never use recycled or repaired batteries.
- ▶ Never use the battery or a battery-operated power tool as a striking tool.
- ▶ Never expose batteries to the direct rays of the sun, elevated temperature, sparking, or open flame. This can lead to explosions.
- ▶ Do not touch the battery poles with your fingers, tools, jewelry, or other electrically conductive objects. This can damage the battery and also cause material damage and personal injury.
- ▶ Keep batteries away from rain, moisture and liquids. Penetrating moisture can cause short circuits, electric shock, burns, fire and explosions.
- ▶ Use only chargers and power tools approved for the specific battery type. Read and follow the relevant operating instructions.
- ▶ Do not use or store the battery in explosive environments.
- ▶ If the battery is too hot to touch, it may be defective. Put the battery in a place where it is clearly visible and where there is no risk of fire, at an adequate distance from flammable materials. Allow the battery to cool down. If it is still too hot to touch after an hour, the battery is faulty. Consult **Hilti** Service or read the document entitled "Instructions on safety and use for **Hilti** Li-ion batteries".



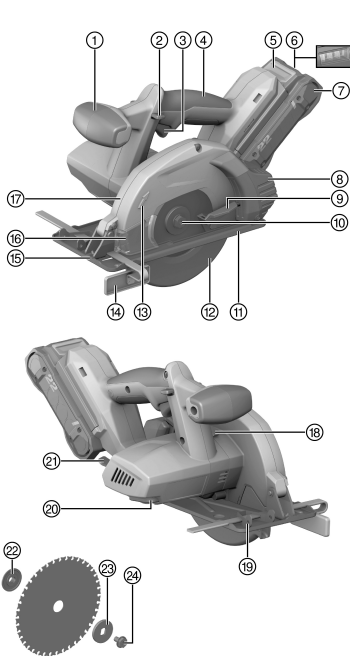
Observe the special guidelines applicable to the transport, storage and use of lithium-ion batteries.
→ page 14

Read the instructions on safety and use of **Hilti** Li-ion batteries that you can access by scanning the QR code at the end of these operating instructions.



3 Description

3.1 Product overview



- ① Auxiliary grip
- ② Switch-on interlock
- ③ On/off switch
- ④ Grip
- ⑤ Battery release button
- ⑥ Battery status indicator
- ⑦ Battery
- ⑧ Chip collector
- ⑨ Pivoting guard operating lever
- ⑩ Arbor
- ⑪ Base plate
- ⑫ Pivoting guard
- ⑬ Direction-of-rotation arrow
- ⑭ Fence
- ⑮ Cutting line indicator
- ⑯ LED / viewing window
- ⑰ Guard
- ⑱ Spindle lock button
- ⑲ Clamp for fence
- ⑳ Hex key
- ㉑ Clamping lever for cutting depth adjustment
- ㉒ Mounting flange
- ㉓ Clamping flange
- ㉔ Clamping screw

3.2 Intended use

The product described is a cordless circular saw. It is designed for cutting metal or materials similar to metal. Use only saw blades approved for the product that comply with the specifications set out in the technical data (e.g. diameter, speed of rotation, thickness, material, etc...). Grinding and cut-off wheels and saw blades made of highly alloyed high speed steel (HSS) are not permissible. Do not use the saw to cut wood or wood-like materials, plastics, gypsum board, gypsum fiberboard and composite materials.

- For this product, use only **Hilti** Nuron lithium-ion batteries of the B 22 series. For this product, **Hilti** recommends the use of the batteries stated in the table at the end of these operating instructions.
- For these batteries, use only **Hilti** chargers of the type series listed at the end of these operating instructions.

3.3 Items supplied

Circular saw, saw blade, hex key, fence, chip collector, operating instructions.

Other system products approved for use with this product can be found at your local **Hilti Store** or at: www.hilti.group

3.4 Accessories

Clamping flange, mounting flange, clamping screw

3.5 Status indicators of the Li-ion battery

Hilti Nuron Li-ion batteries can indicate state of charge, fault messages and the battery's state of health.



3.5.1 Indicators for state of charge and fault messages

WARNING

Risk of injury by a falling battery!

- ▶ If the release button is pressed with a battery inserted in the product, subsequently check that the battery is correctly re-engaged and secure.

Short-press the release button of the battery to get whichever of the following status indications is applicable at the time.

State of charge and, if applicable, faults are indicated constantly as long as the connected product is switched on.

Status	Meaning
Four (4) LEDs show constantly green	State of charge: 100 % to 71 %
Three (3) LEDs show constantly green	State of charge: 70 % to 51 %
Two (2) LEDs show constantly green	State of charge: 50 % to 26 %
One (1) LED shows constantly green	State of charge: 25 % to 10 %
One (1) LED slow-flashes green	State of charge: < 10 %
One (1) LED quick-flashes green	The Li-ion battery is completely discharged. Recharge the battery. If the LED again starts quick-flashing after the battery has been charged, consult Hilti Service .
One (1) LED quick-flashes yellow	The Li-ion battery or the product in which it is inserted is overloaded, too hot or too cold, or experiencing some other fault. Bring the product and the battery to the recommended working temperature and do not overload the product when it is in use. If the message persists, consult Hilti Service .
One (1) LED shows yellow	The Li-ion battery and the product in which it is inserted are not compatible. Consult Hilti Service .
One (1) LED quick-flashes red	The Li-ion battery is locked and cannot be used. Consult Hilti Service .

3.5.2 Indicators showing the battery's state of health

To check the battery's state of health, press the release button and hold it down for longer than three seconds. The system does not detect a potential malfunction of the battery due to misuse, for example battery dropped or pierced, external heat damage, etc.

Status	Meaning
All LEDs show in sequence, followed by one (1) LED showing constantly green.	The battery can remain in use.
All LEDs show in sequence, followed by one (1) LED quick-flashing yellow.	The check to ascertain the battery's state of health did not complete. Repeat the procedure, or consult Hilti Service .
All LEDs show in sequence, followed by one (1) LED showing constantly red.	If a connected product can still be used, the remaining battery capacity is below 50 %. If a connected product can no longer be used, the battery has reached the end of its useful life and has to be replaced. Consult Hilti Service .

3.6 Fence

Use of the single arm fence allows precise cuts to be made along the edge of the workpiece, or strips of even width to be cut.

The fence can be fitted on either side of the base plate.



4 Technical data

4.1 Product properties

Rated voltage	21.6 V
Weight without battery	3.0 kg (6.6 lb)
Saw blade disc thickness	1.2 mm (0.05 in)
Kerf width	1.6 mm (0.06 in)
Saw blade arbor size	15.8 mm (0.62 in)
Rated speed under no load	3,500 /min
Maximum cutting depth	57 mm (2.2 in)
Storage temperature	-20 °C ... 70 °C (-4 °F ... 158 °F)
Ambient temperature for operation	-17 °C ... 60 °C (1 °F ... 140 °F)

4.2 Battery

Battery operating voltage	21.6 V
Weight, battery	See the end of these operating instructions
Ambient temperature for operation	-17 °C ... 60 °C (1 °F ... 140 °F)
Storage temperature	-20 °C ... 40 °C (-4 °F ... 104 °F)
Battery charging starting temperature	-10 °C ... 45 °C (14 °F ... 113 °F)

5 Preparations at the workplace

WARNING

Risk of injury by inadvertent starting!

- ▶ Before inserting the battery, make sure that the product is switched off.
- ▶ Remove the battery before making any adjustments to the power tool or before changing accessories.

Observe the safety instructions and warnings in this documentation and on the product.

5.1 Charging the battery

1. Before charging the battery, read the operating instructions for the charger.
2. Make sure that the contacts on the battery and the contacts on the charger are clean and dry.
3. Use an approved charger to charge the battery. → page 8

5.2 Inserting the battery

WARNING

Risk of injury by short circuit or falling battery!

- ▶ Before inserting the battery, make sure that the contacts on the battery and the contacts on the product are free of foreign matter.
- ▶ Make sure that the battery always engages correctly.



1. Charge the battery fully before using it for the first time.
2. Push the battery into the product until it engages with an audible click.
3. Check that the battery is seated securely.

5.3 Removing the battery

1. Press the battery release button.
2. Remove the battery from the product.

5.4 Fall arrest

WARNING

Risk of injury by falling tool and/or accessory!

- ▶ Use only the **Hilti** tool tether recommended for your product.
- ▶ Prior to each use, always check the attachment point of the tool tether for possible damage.

Comply with the national regulations for working at heights.

As drop arrester for this product, use only the **Hilti** tool tether #2261971.

- ▶ Use the loop to secure the tool tether to the product as shown in the illustration. Check that it holds securely.
- ▶ Secure the carabiner to a load-bearing structure. Check that the carabiner holds securely.



Comply with the operating instructions of the **Hilti** tool tether.

5.5 Removing the saw blade 2

WARNING

Risk of burns and cut injuries at saw blade, clamping screw and clamping flange The consequences can be burns and cut injuries.

- ▶ Wear protective gloves when changing saw blades.

1. Press and hold down the spindle lock button.
2. Use the hex key to slacken the clamping screw.
3. Remove the clamping screw and the clamping flange.
4. Open the lower guard and remove the saw blade.

If necessary, the mounting flange can be removed for cleaning.

5.6 Installing the saw blade 3

Check that the blade to be fitted complies with the technical requirements and that it is well sharpened. A sharp saw blade is an essential requirement for a perfect cut.

1. Clean the mounting flange and the clamping flange.
2. Slip the mounting flange right way round on to the arbor.
3. Open the lower guard.
4. Insert the new saw blade.

Note the direction-of-rotation arrows on the saw blade and on the product. They must point in the same direction.

5. Install the outer clamping flange the right way round.
6. Install the clamping screw.



7. Insert the hex key into the saw blade clamping screw.
8. Press and hold down the spindle lock button.
9. Use the hex key to tighten the clamping screw.
10. Check that the saw blade is seated correctly.
11. Insert the hex key into the hole provided for the purpose.

5.7 Adjusting the cutting depth

1. Release the cutting depth adjustment clamping lever.
2. Lift the product in a scissoring movement and set the cutting depth.
3. Tighten the cutting depth adjustment clamping lever.

5.8 Installing fence

1. Squeeze the clip together and hold it in this position.
2. Push the fence into the base plate.
 - ▶ You can set the cutting width to suit your application.
3. Release the clip.

5.9 Installing guide rail adapter



The guide rail adapter is available as an accessory.

1. Remove the fence, if fitted.
2. Hook the base plate into the rear retaining lugs of the guide rail adapter.
3. Set the base plate down on the guide rail adapter.
 - ▶ The base plate is flush on the guide rail adapter.
4. Lock the guide rail adapter by pressing in the two sliders as far as they will go.

5.10 Emptying the chip collector

WARNING

Risk of injury! Hot or sharp metal cuttings / chips present a hazard.

- ▶ Wear protective gloves when emptying the chip collector.

1. Pull the chip collector away from the tool to the rear.
2. Swing the two halves of the chip collector apart and empty out its contents.
3. Push the chip collector onto the guard until it engages in position.

6 Operation

Observe the safety instructions and warnings in this documentation and on the product.

6.1 Switching on or off

Switching on

1. Press and hold down the switch-on interlock and press the on/off button.
 - ▶ You can release the switch-on interlock as soon as you have the on/off switch held down.

Switching off

2. Release the on/off switch.
 - ▶ The switch-on interlock jumps automatically into the locked position.

6.2 Sawing along a line



Saw only flat workpieces that offer a big enough contact surface to accommodate the whole of the base plate.

1. Position the workpiece so that the saw blade is free to rotate beneath it.



2. Secure the workpiece to prevent movement.
3. Bring the front edge of the base plate into contact with the workpiece.
 - ▶ Saw blade clear of the workpiece.
4. Switch the product on. → page 12
5. Guide the saw along the cutting line at a suitable speed for it to cut smoothly through the workpiece.

7 Care and maintenance

WARNING

Risk of injury with battery inserted !

- ▶ Always remove the battery before carrying out care and maintenance tasks!
-

Care of the product

- Carefully remove stubborn dirt.
- Carefully clean the air vents, if present, with a dry, soft brush.
- Use only a slightly damp cloth to clean the housing. Do not use cleaning agents containing silicone as these can attack the plastic parts.
- Use a dry, clean cloth to clean the contacts of the product.

Care of the Li-ion batteries

- Never use a battery with clogged air vents. Clean the air vents carefully using a dry, soft brush.
- Avoid unnecessary exposure of the battery to dust and dirt. Never expose the battery to high levels of moisture (e.g. by being dipped in water or left in the rain).
If a battery has been soaked by moisture, treat it as a damaged battery. Isolate it in a non-flammable container and consult **Hilti Service**.
- Keep the battery free of extraneous oil and grease. Do not permit dust or dirt to accumulate unnecessarily on the battery. Clean the battery with a dry, soft brush or a clean, dry cloth. Do not use cleaning agents containing silicone as these can attack the plastic parts.
Do not touch the contacts of the battery and do not remove the factory-applied grease from the contacts.
- Use only a slightly damp cloth to clean the housing. Do not use cleaning agents containing silicone as these can attack the plastic parts.

Maintenance

- Check all visible parts and controls for signs of damage at regular intervals and make sure that they all function correctly.
- Do not use the product if signs of damage are found or if parts malfunction. Immediately have the product repaired by **Hilti Service**.
- After cleaning and maintenance, install all guards and protective devices and check that they are in full working order.



To help ensure safe and reliable operation, use only genuine Hilti spare parts and consumables. Spare parts, consumables and accessories approved by **Hilti** for use with your product can be found at your **Hilti Store** or online at: www.hilti.group

7.1 Cleaning the guard

1. Remove the saw blade. → page 11
2. Clean the parts of the guard carefully with a dry brush.
3. Use a suitable tool to remove deposits or cuttings from the inside surfaces of the parts of the guard.
4. Install the saw blade. → page 11

7.2 Cleaning the ejector

1. Remove the saw blade. → page 11
2. Clean the chip / dust channel with a brush.
3. Install the saw blade. → page 11

7.3 Checks after cleaning and maintenance

After cleaning or maintenance, check that all safety devices are fitted and that they function faultlessly.



1. To check the pivoting guard, open the guard fully by moving the guard operating lever.
 - ▶ The pivoting guard must close quickly and completely when the guard operating lever is released.
2. Check that the moving parts are in full working order, e.g. not binding or rubbing.
3. Examine the product for breakages and other visible damage.

8 Transport and storage of cordless tools and batteries

Transport

CAUTION

Accidental starting during transport !

- ▶ Always transport your products with the batteries removed!
-
- ▶ Remove the battery/batteries.
 - ▶ Never transport batteries loose and unprotected. During transport, batteries should be protected from excessive shock and vibration and isolated from any conductive materials or other batteries that may come in contact with the terminals and cause a short circuit. **Comply with the locally applicable regulations for transporting batteries.**
 - ▶ Do not send batteries through the mail. Consult your shipper for instructions on how to ship undamaged batteries.
 - ▶ Prior to each use and before and after prolonged transport, check the product and the batteries for damage.

Storage

WARNING

Accidental damage caused by defective or leaking batteries !

- ▶ Always store your products with the batteries removed!
-
- ▶ Store the product and the batteries in a cool and dry place. Comply with the temperature limits stated in the technical data.
 - ▶ Do not store batteries on the charger. Always remove the battery from the charger when the charging operation has completed.
 - ▶ Never leave batteries in direct sunlight, on sources of heat, or behind glass.
 - ▶ Store the product and batteries where they cannot be accessed by children or unauthorized persons.
 - ▶ Prior to each use and before and after prolonged storage, check the product and the batteries for damage.

9 Troubleshooting

If a problem occurs, always observe the status indicator of the battery. See the section headed **Status indicators of the Li-ion battery**.

If the trouble you are experiencing is not listed in this table or you are unable to rectify the problem by yourself, contact **Hilti Service**.

Trouble or fault	Possible cause	Action to be taken
LEDs of the battery show nothing	Battery defective	▶ Contact Hilti Service .
The on/off button cannot be pressed, i.e. the button is locked.	Not a fault (safety function).	▶ Press the switch-on interlock.
Running speed suddenly drops considerably.	The battery is discharged.	▶ Charge the battery.
	Saw advance pressure is too high.	▶ Reduce advance pressure and switch the power tool back on.
Chips are not transported away; they drop on to the base plate	The chip / dust channel is blocked.	▶ Clean the chip / dust channel. → page 13
The product doesn't restart by itself after the saw blade has stalled.	The overload cut-out has been activated.	▶ Press the switch-on interlock and the on/off button again.



Trouble or fault	Possible cause	Action to be taken
The battery does not engage with an audible click.	The retaining lugs on the battery are dirty.	▶ Clean the retaining lug and re-insert the battery.
Product vibrates more than usual.	The saw blade is fitted incorrectly.	▶ Remove the saw blade and refit it correctly.

10 Disposal

WARNING

Risk of injury due to incorrect disposal! Health hazards due to escaping gases or liquids.

- ▶ DO NOT send batteries through the mail!
- ▶ Cover the terminals with a non-conductive material (such as electrical tape) to prevent short circuiting.
- ▶ Dispose of your battery out of the reach of children.
- ▶ Dispose of the battery at your **Hilti Store**, or consult your local governmental garbage disposal or public health and safety resources for disposal instructions.

Most of the materials from which **Hilti** products are manufactured can be recycled. The materials must be correctly separated before they can be recycled. In many countries, your old tools, machines or appliances can be returned to **Hilti** for recycling. Ask **Hilti Service** or your Hilti sales representative for further information.



- ▶ Do not dispose of power tools, electronic equipment or batteries as household waste!

11 Manufacturer's warranty

- ▶ Please contact your local **Hilti** representative if you have questions about the warranty conditions.

12 FCC statement (applicable in US) / IC statement (applicable in Canada)

This device complies with Part 15 of the FCC Rules and RSS-210 of IC. Operation is subject to the following two conditions:

1. this device may not cause harmful interference, and
2. this device must accept any interference received, including interference that may cause undesired operation.

13 Further information

For more information on operation, technology, environment and recycling, follow this link: qr.hilti.com/manual?id=2276670

This link is also to be found at the end of the documentation, in the form of a QR code.

Notice d'utilisation originale

1 Indications relatives à la documentation

1.1 À propos de cette documentation

- Lire intégralement la présente documentation avant la mise en service. C'est la condition préalablement requise pour assurer la sécurité du travail et un maniement sans perturbations.
- Bien respecter les consignes de sécurité et les avertissements de la présente documentation ainsi que celles figurant sur le produit.
- Toujours conserver le mode d'emploi à proximité du produit et uniquement le transmettre à des tiers avec ce mode d'emploi.



1.2 Explication des symboles

1.2.1 Avertissements

Les avertissements attirent l'attention sur des dangers liés à l'utilisation du produit. Les termes de signalisation suivants sont utilisés :



DANGER !

- Pour un danger imminent qui peut entraîner de graves blessures corporelles ou la mort.



AVERTISSEMENT !

- Pour un danger potentiel qui peut entraîner de graves blessures corporelles ou la mort.



ATTENTION !

- Pour une situation potentiellement dangereuse pouvant entraîner des blessures corporelles ou des dégâts matériels.

1.2.2 Symboles dans le manuel d'utilisation

Les symboles suivants sont utilisés dans le présent manuel d'utilisation :

	Respecter le manuel d'utilisation
	Pour des conseils d'utilisation et autres informations utiles
	Maniement des matériaux recyclables
	Ne pas jeter les appareils électriques et les accus dans les ordures ménagères
	Hilti Accu Li-Ion
	Hilti Chargeur

1.2.3 Symboles dans les illustrations

Les symboles suivants sont utilisés dans les illustrations :

2	Ces chiffres renvoient à l'illustration correspondante au début du présent manuel d'utilisation.
3	La numérotation détermine la séquence des étapes de travail dans l'image et peut se différencier de celles des étapes de travail dans le texte.
⑪	Les numéros de position sont utilisés dans l'illustration Vue d'ensemble et renvoient aux numéros des légendes dans la section Vue d'ensemble du produit .
	Ce signe doit inviter à manier le produit en faisant particulièrement attention.

1.3 Symboles spécifiques au produit

1.3.1 Symboles

Les symboles suivants peuvent être utilisés sur le produit :

n_0	Vitesse nominale à vide
	Courant continu
	Flèche indiquant le sens de rotation
RPM	Tours par minute



	Diamètre
	Lame de scie
	Le produit prend en charge la transmission de données sans fil qui est compatible avec les plates-formes iOS et Android.
	Si présent sur le produit, c'est que le produit a été certifié conformément aux normes en vigueur par cet organisme de certification pour le marché nord-américain et canadien.

1.3.2 Symboles supplémentaires sur les produits sans fil

Les symboles suivants sont utilisés sur le produit :

	Série de type d'accu Li-Ion Hilti utilisée. Observer les instructions au chapitre Utilisation conforme à l'usage prévu .
Li-Ion	Accu lithium-ions
	Ne jamais utiliser l'accu comme outil de percussion.
	Ne pas laisser tomber l'accu. Ne pas utiliser d'accu ayant subi un choc ou d'autres dommages.

1.3.3 Symboles d'obligation

Les symboles d'obligation suivants sont utilisés sur le produit :

	Porter des lunettes de protection
--	-----------------------------------

1.4 Informations produit

Les produits sont destinés aux professionnels et ne doivent être utilisés, entretenus et réparés que par un personnel autorisé et formé. Ce personnel doit être spécialement instruit quant aux dangers inhérents à l'utilisation de l'appareil. Le produit et ses accessoires peuvent s'avérer dangereux s'ils sont utilisés de manière incorrecte par un personnel non qualifié ou de manière non conforme à l'usage prévu. La désignation du modèle et le numéro de série figurent sur sa plaque signalétique.

- Inscrivez le numéro de série dans le tableau suivant. Les informations produit vous seront demandées lorsque vous contactez nos revendeurs ou services après-vente.

Caractéristiques produit

Scie circulaire	SC 5ML-22
Génération :	01
N° de série :	

2 Sécurité

2.1 Indications générales de sécurité pour les appareils électriques

⚠ AVERTISSEMENT Lire toutes les consignes de sécurité et instructions, illustrations et caractéristiques techniques, qui accompagnent cet outil électroportatif. Tout manquement à l'observation des instructions suivantes risque de provoquer une électrocution, un incendie et/ou de graves blessures.

Les consignes de sécurité et instructions doivent être intégralement conservées pour les utilisations futures.

La notion d'« outil électroportatif » mentionnée dans les consignes de sécurité se rapporte à des outils électriques raccordés au secteur (avec câble d'alimentation) et à des outils électriques sur accu (sans câble d'alimentation).

Sécurité sur le lieu de travail

- **Conserver la zone de travail propre et bien éclairée.** Un lieu de travail en désordre ou mal éclairé augmente le risque d'accidents.



- ▶ **Ne pas faire fonctionner les outils électriques en atmosphère explosive et où se trouvent des liquides, des gaz ou poussières inflammables.** Les outils électriques produisent des étincelles qui peuvent enflammer les poussières ou les fumées.
- ▶ **Maintenir les enfants et les personnes présentes à l'écart pendant l'utilisation de l'outil électroportatif.** En cas d'inattention il y a risque de perdre le contrôle de l'appareil.

Sécurité relative au système électrique

- ▶ **La fiche de secteur de l'outil électroportatif doit être adaptée à la prise de courant. Ne jamais modifier la fiche de quelque façon que ce soit. Ne pas utiliser d'adaptateurs avec des outils électriques à branchement de terre.** Des fiches non modifiées et des prises de courant adaptées réduiront le risque de choc électrique.
- ▶ **Éviter le contact physique avec des surfaces mises à la terre tels que tuyaux, radiateurs, cuisinières et réfrigérateurs.** Il y a un risque élevé de choc électrique au cas où votre corps serait relié à la terre.
- ▶ **Ne pas exposer les outils électroportatifs à la pluie ou à l'humidité.** La pénétration d'eau à l'intérieur d'un outil électroportatif augmentera le risque d'un choc électrique.
- ▶ **Ne jamais utiliser le câble de raccordement à d'autres fins que celles prévues, telles que pour porter, accrocher ou débrancher l'outil électroportatif de la prise de courant. Maintenir le câble de raccordement à l'écart de la chaleur, des parties grasses, des bords tranchants ou des parties en mouvement.** Des câbles de raccordement endommagés ou emmêlés augmentent le risque de choc électrique.
- ▶ **Si l'outil électroportatif est utilisé à l'extérieur, utiliser uniquement des câbles de rallonge homologués pour les applications extérieures.** L'utilisation d'un câble de rallonge homologué pour les applications extérieures réduit le risque d'un choc électrique.
- ▶ **Si l'utilisation de l'outil électrique dans un environnement humide ne peut pas être évitée, utiliser un interrupteur de protection contre les courants de court-circuit.** L'utilisation d'un tel interrupteur de protection réduit le risque d'une décharge électrique.

Sécurité des personnes

- ▶ **Rester vigilant, surveiller ce que l'on fait. Faire preuve de bon sens en utilisant l'outil électroportatif. Ne pas utiliser l'outil électroportatif en étant fatigué ou sous l'emprise de l'alcool, de drogues ou de médicaments.** Un moment d'inattention lors de l'utilisation de l'outil électroportatif peut entraîner des blessures graves.
- ▶ **Utiliser un équipement de protection personnel et toujours porter une protection pour les yeux.** Les équipements de protection personnels tels que masque antipoussière, chaussures de sécurité antidérapantes, casque de protection ou protection acoustique suivant l'utilisation de l'outil électroportatif, réduiront le risque de blessures des personnes.
- ▶ **Éviter une mise en service par mégarde. S'assurer que l'outil électroportatif est arrêté avant de le brancher à la source de courant et/ou à l'accu, de le prendre ou de le porter.** Le fait de porter l'outil électroportatif avec le doigt sur l'interrupteur ou de brancher l'appareil sur la source de courant lorsque l'interrupteur est en position de fonctionnement peut entraîner des accidents.
- ▶ **Retirer tout outil de réglage ou toute clé avant de mettre l'outil électroportatif en fonctionnement.** Une clé ou un outil se trouvant sur une partie en rotation peut causer des blessures.
- ▶ **Adopter une bonne posture. Veiller à toujours garder une position stable et équilibrée.** Cela permet un meilleur contrôle de l'outil électroportatif dans des situations inattendues.
- ▶ **S'habiller de manière adaptée. Ne pas porter de vêtements amples ni de bijoux. Garder les cheveux, les vêtements et les gants à distance des parties en mouvement.** Des vêtements amples, des bijoux ou des cheveux longs peuvent être happés par des parties en mouvement.
- ▶ **Si des dispositifs servant à aspirer ou à recueillir les poussières doivent être utilisés, s'assurer qu'ils sont effectivement raccordés et correctement utilisés.** L'utilisation d'un dispositif d'aspiration de la poussière peut réduire les risques dus aux poussières.
- ▶ **Ne pas sous-estimer les mesures de sécurité à prendre et ne pas ignorer sciemment les règles de sécurité applicables aux outils électriques, même si l'on est utilisateur chevronné après de fréquentes utilisations de l'outil électroportatif.** Un manque d'attention peut conduire à de graves blessures en quelques fractions de seconde.

Utilisation et maniement de l'outil électroportatif

- ▶ **Ne pas forcer l'appareil. Utiliser l'outil électroportatif adapté au travail à effectuer.** Un outil électroportatif approprié réalisera mieux le travail et de manière plus sûre au régime pour lequel il a été conçu.
- ▶ **Ne pas utiliser d'outil électroportatif dont l'interrupteur est défectueux.** Tout outil électroportatif qui ne peut plus être mis en ou hors fonctionnement est dangereux et doit être réparé.



- ▶ **Débrancher la fiche de la prise de courant et/ou l'accu amovible avant d'effectuer des réglages sur l'appareil, de changer les accessoires, ou de ranger l'appareil.** Cette mesure de précaution empêche une mise en fonctionnement par mégarde de l'outil électroportatif.
- ▶ **Conserver les outils électroportatifs non utilisés hors de portée des enfants. Ne permettre l'utilisation de l'appareil à aucune personne qui ne soit pas familiarisée avec celui-ci ou qui n'a pas lu ces instructions.** Les outils électroportatifs sont dangereux lorsqu'ils sont entre les mains de personnes non initiées.
- ▶ **Prendre soin des outils électroportatifs et des accessoires. Vérifier que les parties en mouvement fonctionnent correctement et qu'elles ne sont pas coincées, et contrôler si des parties sont cassées ou endommagées de sorte que le bon fonctionnement de l'outil électroportatif s'en trouve entravé. Faire réparer les parties endommagées avant d'utiliser l'appareil.** De nombreux accidents sont dus à des outils électroportatifs mal entretenus.
- ▶ **Garder les outils de coupe affûtés et propres.** Des outils destinés à couper correctement entretenus avec des arêtes de coupe tranchantes sont moins susceptibles de bloquer et sont plus faciles à contrôler.
- ▶ **L'outil électroportatif, les accessoires, les outils amovibles, etc. doivent être utilisés conformément à ces instructions. Tenir également compte des conditions de travail et du travail à réaliser.** L'utilisation des outils électroportatifs à d'autres fins que celles prévues peut entraîner des situations dangereuses.
- ▶ **Veiller à ce que les poignées et surfaces de préhension soient toujours être sèches, propres et exemptes de traces de graisse ou d'huile.** Avec des poignées et surfaces de préhension glissantes, la sécurité et le contrôle de l'outil électroportatif ne peuvent être assurés dans des situations inopinées.

Utilisation et maniement de l'outil sur accu

- ▶ **Ne charger les accus que dans des chargeurs recommandés par le fabricant.** Si un chargeur approprié à un type spécifique d'accus est utilisé avec des accus non recommandés pour celui-ci, il y a risque d'incendie.
- ▶ **Dans les outils électroportatifs, utiliser uniquement les accus spécialement prévus pour ceux-ci.** L'utilisation de tout autre accu peut entraîner des blessures et des risques d'incendie.
- ▶ **Tenir l'accu non utilisé à l'écart de tous objets métalliques tels qu'agrafes, pièces de monnaie, clés, clous, vis ou autres, étant donné qu'un pontage peut provoquer un court-circuit.** Un court-circuit entre les contacts d'accu peut provoquer des brûlures ou un incendie.
- ▶ **En cas d'utilisation abusive, du liquide peut sortir de l'accu. Éviter tout contact avec ce liquide. En cas de contact par mégarde, rincer soigneusement avec de l'eau. Au cas où le liquide rentrerait dans les yeux, consulter en plus un médecin.** Le liquide qui sort de l'accu peut entraîner des irritations de la peau ou causer des brûlures.
- ▶ **Ne pas utiliser d'accu endommagé ou modifié.** Des accus endommagés ou modifiés peuvent avoir un comportement imprévisible et provoquer un incendie, une explosion ou engendrer un risque de blessures.
- ▶ **Ne jamais exposer l'accu au feu ou à des températures trop élevées.** Le feu ou des températures supérieures à 130 °C (265 °F) peuvent provoquer une explosion.
- ▶ **Suivre toutes les instructions de charge et ne jamais charger l'accu ou l'outil sur accu hors de la plage de températures spécifiée dans le manuel d'utilisation.** Une charge inappropriée ou hors de la plage de températures spécifiée risque d'endommager l'accu et accroître le risque d'incendie.

Service

- ▶ **L'outil électroportatif doit uniquement être réparé par un personnel qualifié et seulement avec des pièces de rechange d'origine.** Ceci permet d'assurer la sécurité de l'appareil.
- ▶ **Ne jamais entretenir d'accus endommagés.** Toutes les opérations d'entretien sur des accus doivent exclusivement être réalisées par le fabricant ou un prestataire de service client agréé.

2.2 Instructions de sécurité pour toutes les scies

Procédure de sciage

- ▶ **⚠ DANGER : ne pas approcher les mains de la zone de coupe et de la lame. Garder la deuxième main sur la poignée auxiliaire ou sur le boîtier du moteur.** Si les deux mains tiennent la scie, elles ne peuvent pas être coupées par la lame.
- ▶ **Ne pas passer les mains sous la pièce à travailler.** Le capot ne peut pas protéger l'opérateur de la lame sous la pièce à travailler.
- ▶ **Ajuster la profondeur de coupe à l'épaisseur de la pièce à travailler.** Il faut que moins de la totalité d'une dent soit visible sous la pièce à travailler.
- ▶ **Ne jamais tenir la pièce à travailler dans les mains ou sur les jambes. S'assurer que la pièce à travailler se trouve sur une plate-forme stable.** Il est important que la pièce à travailler soit soutenue



convenablement afin de minimiser l'exposition du corps, le grippage de la lame et le risque de perte de maîtrise.

- ▶ **Maintenir l'outil uniquement par les surfaces de prise isolantes si l'outil coupant en marche peut être en contact avec des conducteurs cachés.** Le contact avec un fil sous tension mettra également sous tension les parties métalliques exposées de l'outil et provoquera un choc électrique sur l'opérateur.
- ▶ **Pour les coupes longitudinales, toujours utiliser un guide parallèle ou un guide à bords droits.** Cela améliore la précision de la coupe et réduit le risque de grippage de la lame.
- ▶ **Toujours utiliser des lames dont la taille et la forme des alésages de centrage sont convenables (par exemple en étoile ou ronds).** Les lames qui ne correspondent pas aux éléments de montage de la scie se décentreront, provoquant une perte de maîtrise.
- ▶ **Ne jamais utiliser de rondelles ou de boulons de lames endommagés ou inadaptés.** Les rondelles et les boulons de lames ont été spécialement conçus pour votre scie, afin de garantir une performance optimale et une sécurité de fonctionnement.

Recul – Causes et instructions de sécurité correspondantes

- Le recul est une réaction soudaine observée sur une lame de scie pincée, bloquée ou mal alignée, faisant sortir la scie de la pièce à travailler de manière incontrôlée, dans la direction de l'opérateur ;
- lorsque la lame est pincée ou grippée dans le fond du trait de scie, elle se bloque et la force du moteur renvoie soudainement la scie vers l'opérateur ;
- Si la lame se tord ou est mal alignée lors de la coupe, les dents du bord arrière peuvent creuser la face supérieure du bois, de sorte que la lame sort du trait de scie et est projetée vers l'opérateur.

Le recul est le résultat d'un mauvais usage de la scie. Il peut être évité en prenant les précautions adéquates décrites ci-dessous.

- ▶ **Maintenir la scie avec les deux mains et positionner les bras de façon à résister aux forces de recul. Positionner le corps d'un côté de la lame, mais pas dans son alignement.** Le recul peut faire revenir la scie en arrière, mais les forces de recul peuvent être maîtrisées par l'opérateur si les précautions adéquates sont prises.
- ▶ **Lorsque la lame est grippée ou lorsqu'une coupe est interrompue pour quelle que raison que ce soit, arrêter la scie et la maintenir immobile dans le matériau jusqu'à l'arrêt complet de la lame. Ne jamais essayer de retirer la scie de la pièce à travailler ou de tirer la scie en arrière pendant que la lame est en mouvement ou que le recul peut se produire.** Rechercher la cause du grippage de la lame et prendre des mesures correctives pour l'empêcher.
- ▶ **Lors de la remise en marche d'une scie dans la pièce à travailler, centrer la lame dans le trait de scie, de sorte que les dents ne soient pas rentrées dans le matériau.** Si la lame est grippée, elle peut venir chevaucher la pièce à travailler ou provoquer un recul au moment de la remise en marche de la scie.
- ▶ **Placer les panneaux de grande taille sur un support afin de minimiser le risque de grippage de la lame et de recul.** Les grands panneaux ont tendance à fléchir sous leur propre poids. Les panneaux doivent reposer sur des supports des deux côtés, près de la ligne de coupe et près du bord du panneau.
- ▶ **Ne pas utiliser de lames émoussées ou endommagées.** Les lames non aiguisées ou mal fixées produisent un trait de scie rétréci, ce qui provoque ainsi des frottements excessifs, le grippage de la lame et un recul.
- ▶ **Avant le sciage, vérifier le serrage des réglages de la profondeur de coupe et de l'angle de coupe.** Si les réglages varient pendant la coupe, cela peut provoquer un grippage et un recul.
- ▶ **Travailler avec d'autant plus de prudence pour découper des parois existantes ou d'autres zones sans visibilité.** La lame plongeante risque de se coincer dans des objets cachés et de provoquer un recul.

Fonctionnement du capot inférieur

- ▶ **Vérifier la fermeture du capot inférieur avant chaque utilisation. Ne pas utiliser la scie si le capot inférieur ne se déplace pas librement et ne se ferme pas instantanément. Ne jamais bloquer ou attacher le capot inférieur en position ouverte.** Si la scie tombe accidentellement, le capot inférieur risque de se déformer. Ouvrir le capot à l'aide de la poignée de rappel et s'assurer qu'il bouge librement et n'est pas en contact avec la lame ni avec d'autres parties, à tous les angles et profondeurs de coupe.
- ▶ **Vérifier le bon fonctionnement du ressort du capot inférieur. Si le capot inférieur et son ressort ne fonctionnent pas correctement, il faut faire réviser la scie avant utilisation.** Le capot peut fonctionner lentement en raison d'éléments endommagés, de dépôts agglutinés ou de l'accumulation de sciures.
- ▶ **Ouvrir le capot inférieur manuellement seulement pour des coupes spéciales pour des coupes spéciales telles que les "coupes plongeantes" et les "coupes complexes". Ouvrir le capot inférieur à l'aide de la poignée de rappel et le relâcher dès que la lame de scie entre dans la pièce à travailler.** Pour toutes les autres découpes, le capot inférieur doit fonctionner automatiquement.



- ▶ **Avant de poser la scie sur un établi ou sur le sol, toujours vérifier que le capot inférieur recouvre la lame.** Une lame non protégée et continuant à fonctionner par inertie entraînera la scie en arrière et coupera alors tout ce qui se trouve sur sa trajectoire. Tenir compte du temps qu'il faut à la lame pour s'arrêter complètement.

Fonctionnement du capot protecteur

- ▶ **Avant chaque utilisation, s'assurer que le capot est bien fermé. Ne pas utiliser la scie si le capot ne se déplace pas librement et ne se ferme pas instantanément. Ne jamais bloquer ni attacher le capot protecteur, car la lame serait exposée.** Si la scie tombe accidentellement, le capot risque de se déformer. S'assurer que le capot bouge librement et n'est pas en contact avec la lame ou d'autres éléments de l'appareil, à tous les angles et à toutes les profondeurs de coupe.
- ▶ **Vérifier l'état et le fonctionnement du ressort du capot protecteur. Si le capot et son ressort ne fonctionnent pas correctement, il faut faire réviser la scie avant utilisation.** Le capot peut fonctionner lentement en raison d'éléments endommagés, de dépôts agglutinés ou de l'accumulation de sciures.
- ▶ **Lors d'une "coupe plongeante" non perpendiculaire, s'assurer que la semelle ne dévie pas.** La déviation latérale peut entraîner le grippage de la lame et provoquer un recul.
- ▶ **Avant de poser la scie sur un établi ou sur le sol, toujours vérifier que le capot recouvre la lame.** Une lame non protégée et continuant à fonctionner par inertie entraînera la scie en arrière et coupera alors tout ce qui se trouve sur sa trajectoire. Tenir compte du temps qu'il faut à la lame pour s'arrêter complètement.

2.3 Consignes de sécurité supplémentaires

Sécurité des personnes

- ▶ Ne jamais entreprendre de manipulation ni de modification sur le produit ou les accessoires.
- ▶ Utiliser l'outil électroportatif uniquement avec ses dispositifs de sécurité.
- ▶ En cas d'exploitation de l'outil électroportatif sans dispositif d'aspiration des poussières, toujours porter une légère protection respiratoire lors de travaux générant de la poussière.
- ▶ Toujours tenir l'outil électroportatif des deux mains par les poignées prévues à cet effet.
- ▶ Porter un casque antibruit. Le bruit peut entraîner une perte de l'audition.
- ▶ Faire régulièrement des pauses et des exercices de relaxation et de massage des doigts pour favoriser l'irrigation sanguine des doigts.
- ▶ L'outil électroportatif n'est pas destiné à être utilisé par des personnes affaiblies sans encadrement.
- ▶ Ne mettre l'outil électroportatif en marche que sur le poste de travail après l'avoir mis en position de travail.
- ▶ Retirer l'accu en cas de problèmes avec l'outil électroportatif, lors du changement d'accessoires et pendant le stockage et le transport de l'outil électroportatif.
- ▶ Ne pas utiliser l'outil électroportatif au-dessus de la tête.
- ▶ Ne pas freiner l'outil électroportatif en exerçant une contre-pression latérale contre la lame de la scie.
- ▶ Avant de mettre l'accu en place, vérifier que la scie est éteinte et que le dispositif de blocage est activé. Cela permet d'éviter les blessures dues à un démarrage accidentel de l'outil électroportatif.
- ▶ Ne pas toucher le flasque de serrage et la vis de serrage pendant que l'outil électroportatif est en marche.
- ▶ Avant de poser l'outil électroportatif, attendre que l'outil électroportatif soit complètement arrêté.
- ▶ Avant de changer l'outil amovible, attendre que l'outil électroportatif soit refroidi.
- ▶ Ne jamais appuyer sur le bouton-poussoir de blocage de la broche lorsque la lame tourne.
- ▶ Ne pas diriger l'outil électroportatif vers des personnes.
- ▶ Le dispositif de blocage doit toujours être activé lors du changement d'accessoires ou d'accus, lors du transport ou lors du stockage de l'outil électroportatif.
- ▶ Toujours utiliser une lame de scie adaptée au matériau et aux propriétés de la pièce à usiner.
- ▶ Adapter la force d'avance à la lame de scie et au matériau à traiter. Cela évite un blocage de la lame de scie, ce qui risquerait de provoquer un rebond.
- ▶ Les copeaux métalliques sont tranchants et peuvent occasionner des blessures. Tenir les habits fermés afin d'éviter que des copeaux ne s'accumulent dans les gants, les chaussures ou autrement dans les vêtements.
- ▶ Vérifier la direction de projection des copeaux métalliques. Les copeaux sont très chauds et peuvent provoquer un incendie, des brûlures ou des blessures par coupure.
- ▶ Éviter toute surchauffe des pointes des dents de scie.
- ▶ La vitesse admissible de l'outil amovible doit au moins être égale à la vitesse supérieure indiquée sur l'outil électroportatif. Les accessoires dont la vitesse de rotation est supérieure à celle admissible risquent de se briser ou de voltiger.



- ▶ Ne pas travailler dans un environnement très poussiéreux.
- ▶ La poussière générée par le meulage, le ponçage, le tronçonnage et le forage peut contenir des produits chimiques dangereux. Par exemple : plomb ou peinture à base de plomb ; brique, béton et autres produits de maçonnerie, pierre naturelle et autres produits contenant des silicates ; certains bois, tels que le chêne, le hêtre et le bois traité chimiquement ; amiante ou matériaux contenant de l'amiante. Déterminer l'exposition de l'opérateur et personnes se trouvant dans l'entourage en fonction de la classe de danger des matériaux traités. Prendre les mesures nécessaires pour maintenir l'exposition à un niveau sûr, par exemple en utilisant un système de collecte des poussières ou en portant une protection respiratoire appropriée. Mesures générales visant à réduire l'exposition :
 - ▶ Travailler dans un endroit bien ventilé
 - ▶ Éviter le contact prolongé avec la poussière
 - ▶ Faire en sorte que la poussière soit dirigée loin du visage et du corps
 - ▶ Porter des vêtements de protection et laver les zones exposées à l'eau et au savon
- ▶ Toujours porter un masque antipoussière qui satisfait aux exigences de l'application.
- ▶ Avant le début du travail, prendre connaissance de la classe de risque de la poussière générée lors des travaux. Utiliser un aspirateur avec une classification de sécurité autorisée officiellement et conforme aux dispositions locales concernant les poussières.
- ▶ Observer les exigences en matière de sécurité nationales en vigueur.
- ▶ Utiliser un dispositif de serrage ou tout autre moyen pratique pour sécuriser la pièce travaillée et la maintenir dans une position stable. Le maintien de la pièce travaillée avec la main ou le corps est instable et risque d'entraîner la perte de contrôle. Ne pas laisser une tierce personne tenir la pièce à travailler en position.
- ▶ Ne jamais regarder directement dans la lumière (LED) et ne jamais orienter la lumière directement dans le visage d'une personne.
- ▶ Risque de blessures dues à la chute d'outils et/ou d'accessoires. Avant de commencer à travailler, contrôler si l'accessoire monté est solidement fixé.
- ▶ Uniquement amener la scie circulaire à l'état mis en marche contre la pièce travaillée.
- ▶ Utiliser exclusivement des lames de scie recommandées par Hilti, conformes à la norme EN 847-1.

Sécurité relative au système électrique

- ▶ Avant d'entamer le travail, vérifier, par exemple à l'aide d'un détecteur, qu'il n'y a pas de câbles ou gaines électriques, tuyaux de gaz ou d'eau cachés dans la zone d'intervention. Les pièces métalliques extérieures de l'outil électroportatif peuvent devenir conductrices, par exemple en endommageant par inadvertance un câble électrique. Ceci augmente le risque d'un choc électrique.

2.4 Utilisation et emploi soigneux des batteries

- ▶ **Respecter les consignes de sécurité suivantes relatives à la manipulation et à l'utilisation des accus Li-Ion.** Le non-respect de telles mesures risque de provoquer des irritations cutanées, des blessures graves corrosives, des brûlures chimiques, des incendies et/ou des explosions.
- ▶ Utiliser les accus uniquement dans un état techniquement impeccable.
- ▶ Traiter les accus avec soin pour éviter les endommagement et les fuites de liquides très nocifs pour la santé !
- ▶ Les accus ne doivent en aucun cas être modifiés ou manipulés !
- ▶ Les accus ne doivent pas être démontés, écrasés, chauffés à une température supérieure à 80 °C (176 °F) ou jetés au feu.
- ▶ Ne pas utiliser ni recharger d'accus ayant subi un choc ou ayant été endommagés de quel-qu'autre manière. Vérifier régulièrement l'absence de traces d'endommagement sur les accus.
- ▶ Ne jamais utiliser d'accus recyclés ou réparés.
- ▶ Ne jamais utiliser l'accu ni aucun outil électrique sans fil comme outil de percussion.
- ▶ Ne jamais exposer les accus à un rayonnement direct du soleil, des températures élevées, des étincelles ou des flammes nues. Il y a alors risque d'explosions.
- ▶ Ne jamais toucher les pôles avec les doigts, des outils, des bijoux ou tout autre objet métallique. Cela peut endommager l'accu et entraîner des dommages matériels et des blessures.
- ▶ Maintenir les accus à l'abri de la pluie, de l'humidité et des liquides. Toute pénétration d'humidité risque de provoquer un court-circuit, des chocs électriques, des brûlures, des incendies ou des explosions.
- ▶ Utiliser exclusivement les chargeurs et outils électriques prévus pour le type d'accu considéré. Respecter à ce sujet les indications du mode d'emploi correspondant.
- ▶ Ne pas utiliser ni stocker l'accu dans des environnements présentant des risques d'explosion.



- ▶ Si l'accu est trop chaud pour être touché, il est probablement défectueux. Placer l'accu dans un endroit bien visible, non inflammable et suffisamment éloigné de matériaux inflammables. Laisser l'accu refroidir. Si, après une heure, l'accu est toujours trop chaud pour être saisi, c'est qu'il est défectueux. Contacter le service après-vente **Hilti** ou consulter le document « Instructions de sécurité et d'utilisation pour les accus Li-Ion **Hilti** ».

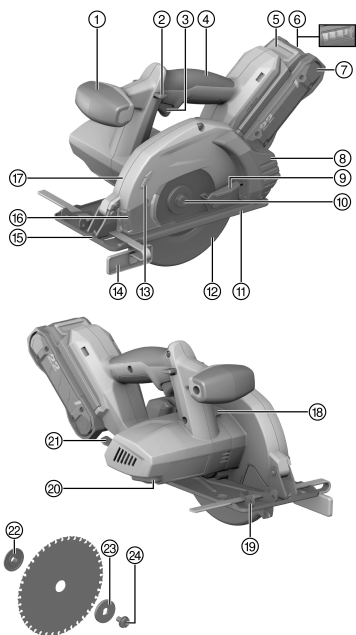


Respecter les directives spécifiques pour le transport, le stockage et l'utilisation d'accus Li-Ion.
→ Page 29

Lire les remarques relatives à la sécurité et à l'utilisation des accus Li-Ion **Hilti** que vous trouverez en scannant le code QR à la fin de ce mode d'emploi.

3 Description

3.1 Vue d'ensemble du produit



- ① Poignée supplémentaire
- ② Anti-démarrage
- ③ Interrupteur Marche / Arrêt
- ④ Poignée
- ⑤ Bouton de déverrouillage de l'accu
- ⑥ Indicateur d'état - Accu
- ⑦ Accu
- ⑧ Bac à copeaux
- ⑨ Levier de commande du capot de protection oscillant
- ⑩ Broche d'entraînement
- ⑪ Semelle
- ⑫ Capot de protection oscillant
- ⑬ Flèche indiquant le sens de rotation
- ⑭ Butée parallèle
- ⑮ Indicateur de coupe/Contrôle des lignes de coupe
- ⑯ LED/fenêtre de contrôle
- ⑰ Carter de protection
- ⑱ Blocage de la broche
- ⑲ Pince de butée parallèle
- ⑳ Clé pour vis à tête six pans creux
- ㉑ Levier de blocage pour réglage de la profondeur de coupe
- ㉒ Flasque support
- ㉓ Flasque de serrage
- ㉔ Vis de serrage

3.2 Utilisation conforme à l'usage prévu

Le produit décrit est une scie circulaire sans fil. Elle est conçue pour des travaux de sciage dans du métal ou matériaux métalliques analogues.

Utiliser exclusivement des lames de scie homologuées pour le produit et conformes aux indications des caractéristiques techniques (par ex. diamètre, vitesse de rotation, épaisseur, matériau... etc.). Les disques à meuler et à tronçonner sont pas autorisés ainsi que les lames de scie en acier rapide fortement allié (acier HSS). Le bois ou des matières analogues au bois, les plastiques, le placoplâtre, les panneaux-plan et les matériaux composites ne doivent pas être sciés avec cet appareil.

- Pour ce produit, utiliser exclusivement des accus Li-Ion **Hilti** Nuron de la série B 22. **Hilti** recommande d'utiliser pour ce produit les accus indiqués dans le tableau fourni à la fin de ce manuel d'utilisation.
- Pour ces accus, n'utiliser que des chargeurs **Hilti** des séries indiquées à la fin de ce manuel d'utilisation.



3.3 Éléments livrés

Scie circulaire, lame de scie, clé pour vis à tête six pans creux, butée parallèle, bac à copeaux, mode d'emploi. D'autres produits système pour votre produit peuvent être trouvés dans votre **Hilti Store** ou à l'adresse : www.hilti.group

3.4 Accessoires

Flasque de serrage, flasque support, vis de serrage

3.5 Affichages de l'accu Li-Ion

Les accus Li-Ion **Hilti** Nuron peuvent afficher l'état de charge, les messages d'erreur et l'état de l'accu.

3.5.1 Affichages de l'état de charge et des messages d'erreur



AVERTISSEMENT

Risque de blessures en cas de chute de l'accu !

- ▶ Lorsque l'accu est inséré et après avoir appuyé sur la touche de déverrouillage, s'assurer que l'accu est correctement réenclenché dans le produit utilisé.

Pour consulter un des affichages suivants, appuyer brièvement sur la touche de déverrouillage de l'accu. L'état de charge et les dysfonctionnements possibles sont affichés en permanence tant que le produit raccordé est allumé.

État	Signification
Quatre (4) DEL sont allumées en vert en continu	État de charge : de 100 % à 71 %
Trois (3) DEL sont allumées en vert en continu	État de charge : de 70 % à 51 %
Deux (2) DEL sont allumées en vert en continu	État de charge : de 50 % à 26 %
Une (1) DEL est allumée en vert en continu	État de charge : de 25 % à 10 %
Une (1) DEL clignote lentement en vert	État de charge : < 10 %
Une (1) DEL clignote rapidement en vert	L'accu Li-Ion est entièrement déchargé. Charger l'accu. Si la DEL continue de clignoter rapidement après la charge de l'accu, s'adresser au S.A.V. Hilti .
Une (1) DEL clignote rapidement en jaune	L'accu Li-Ion ou le produit correspondant est surchargé, trop chaud, trop froid ou il y a un autre défaut. Amener le produit et l'accu à la température de travail recommandée et ne pas surcharger le produit pendant son utilisation. Si le message ne disparaît pas, s'adresser au S.A.V. Hilti .
Une (1) DEL est allumée en jaune	L'accu Li-Ion ainsi que le produit connecté ne sont pas compatibles. Merci de s'adresser au S.A.V. Hilti .
Une (1) DEL clignote rapidement en rouge	L'accu Li-Ion est verrouillé et ne peut plus être utilisé. Merci de s'adresser au S.A.V. Hilti .

3.5.2 Affichages de l'état de l'accu

Pour consulter l'état de l'accu, maintenir la touche de déverrouillage enfoncée pendant plus de trois secondes. Le système ne détecte aucun dysfonctionnement potentiel de la batterie dû à une utilisation incorrecte, par ex. chute, piqûres, dommages externes dus à la chaleur, etc.

État	Signification
Toutes les DEL forment un chenillard, puis une (1) DEL est allumée en vert en continu.	L'accu peut continuer à être utilisé.
Toutes les DEL forment un chenillard, puis une (1) DEL clignote rapidement en jaune.	L'interrogation de l'état de l'accu n'a pas pu être terminée. Répéter la procédure ou s'adresser au S.A.V. Hilti .



État	Signification
Toutes les DEL forment un chenillard, puis une (1) DEL est allumée en rouge en continu.	Si un produit raccordé peut continuer à être utilisé, la capacité résiduelle de l'accu est inférieure à 50 %. Si un produit raccordé ne peut plus être utilisé, l'accu est arrivé à la fin de sa durée de vie et doit être remplacé. Merci de s'adresser au S.A.V Hilti.

3.6 Butée parallèle

La butée parallèle à bras unique permet d'effectuer des coupes exactes le long d'une arête de la pièce travaillée ou de couper des formes de dimensions identiques.

La butée parallèle peut être montée des deux côtés de la semelle.

4 Caractéristiques techniques

4.1 Propriétés du produit

Tension de référence	21,6 V
Poids sans accu	3,0 kg (6,6 lb)
Épaisseur du disque de lame	1,2 mm (0,05 in)
Largeur de coupe	1,6 mm (0,06 in)
Alésage de fixation de la lame de scie	15,8 mm (0,62 in)
Vitesse de rotation à vide de référence	3.500 tr/min
Profondeur de coupe maximale	57 mm (2,2 in)
Température de stockage	-20 °C ... 70 °C (-4 °F ... 158 °F)
Température de service en cours de service	-17 °C ... 60 °C (1 °F ... 140 °F)

4.2 Batterie

Tension nominale de l'accu	21,6 V
Poids de l'accu	Voir à la fin de ce mode d'emploi
Température de service en cours de service	-17 °C ... 60 °C (1 °F ... 140 °F)
Température de stockage	-20 °C ... 40 °C (-4 °F ... 104 °F)
Température de l'accu au début de la charge	-10 °C ... 45 °C (14 °F ... 113 °F)

5 Préparatifs



AVERTISSEMENT

Risque de blessures du fait d'une mise en marche inopinée !

- ▶ Avant d'insérer l'accu, s'assurer que le produit correspondant est bien sur arrêt.
- ▶ Retirer le bloc-accu, avant d'effectuer des réglages sur l'appareil ou de changer les accessoires.



Bien respecter les consignes de sécurité et les avertissements de la présente documentation ainsi que celles figurant sur le produit.

5.1 Recharge de l'accu

1. Avant de commencer la charge, lire le mode d'emploi du chargeur.
2. Veiller à ce que les contacts de l'accu et du chargeur sont propres et secs.
3. Charger l'accu à l'aide d'un chargeur homologué. → Page 23

5.2 Introduction de l'accu

AVERTISSEMENT

Risque de blessures du fait d'un court-circuit ou de la chute de l'accu !

- ▶ Avant d'insérer l'accu dans l'appareil, s'assurer que les contacts de l'accu et les contacts sur le produit sont exempts de corps étrangers.
 - ▶ S'assurer que l'accu s'encliquette toujours correctement.
1. L'accu doit être entièrement chargé avant la première mise en service.
 2. Introduire l'accu dans le produit jusqu'à ce qu'il s'enclenche de manière audible.
 3. Vérifier que l'accu est bien en place.

5.3 Retrait de l'accu


1. Appuyer sur la touche de déverrouillage de l'accu.
2. Retirer l'accu hors du produit.

5.4 Sécurité anti-chute

AVERTISSEMENT

Risque de blessures en cas de chute de l'outil et/ou des accessoires !


- ▶ Utiliser uniquement la longue porte-outil **Hilti** recommandée pour votre produit.
- ▶ Contrôler l'état du point de fixation de la longue porte-outil avant chaque utilisation.

 Respecter les directives nationales en vigueur pour les travaux en hauteur.

Comme protection anti-chute pour ce produit, utiliser exclusivement la longue porte-outil **Hilti** #2261971.

- ▶ Fixer la longue porte-outil au produit avec la boucle, comme illustré. Vérifier qu'elle tient bien.
- ▶ Fixer le mousqueton à une structure porteuse. Vérifier que le mousqueton tient bien.




 Respecter le mode d'emploi de la longue porte-outil **Hilti**.

5.5 Démontage de la lame de scie 2

AVERTISSEMENT

Risque de brûlure, de coupure au niveau de la lame de scie, de la vis de serrage et du flasque de serrage Des brûlures ou des blessures par coupure peuvent s'en suivre.

- ▶ Utiliser des gants de protection pour changer d'outil.
1. Appuyer sur le blocage de la broche et le maintenir enfoncé.
 2. Desserrer la vis de serrage à l'aide de la clé pour vis à six pans creux.
 3. Retirer la vis de serrage et le flasque de serrage.
 4. Ouvrir le capot de protection inférieur et retirer la lame de scie.

 Si nécessaire, le flasque support peut être enlevé à des fins de nettoyage.



5.6 Montage de la lame de scie 3

i S'assurer que la lame de scie à monter correspond aux exigences techniques et est bien aiguisée. Une lame de scie aiguisée est une condition préalable à une coupe parfaite.

1. Nettoyer le flasque support et le flasque de serrage.
2. Monter le flasque support sur la broche d'entraînement avec la bonne orientation.
3. Ouvrir le capot de protection inférieur.
4. Insérer la nouvelle lame.

i Respecter le sens des flèches visibles sur la lame et sur le produit. Elles doivent correspondre.

5. Monter le flasque de serrage extérieur en l'orientant correctement.
6. Visser la vis de serrage.
7. Présenter la clé pour vis à tête six pans creux sur la vis de serrage de la lame.
8. Appuyer sur le blocage de la broche et le maintenir enfoncé.
9. Serrer la vis de serrage à l'aide de la clé pour vis à six pans creux.
10. Contrôler le positionnement correct de la lame de scie.
11. Introduire la clé pour vis à tête six pans creux dans le trou prévu à cet effet.

5.7 Réglage de la profondeur de coupe 4

1. Desserrer le levier de blocage du réglage de la profondeur de coupe.
2. Lever le produit dans un mouvement en ciseaux et régler la profondeur de coupe.
3. Serrer à fond le levier de blocage du réglage de la profondeur de coupe.

5.8 Montage de la butée parallèle 5

1. Comprimer l'agrafe et la maintenir comprimée.
2. Pousser la butée parallèle dans la semelle.
 - ▶ La largeur de coupe peut être réglée en fonction de l'application.
3. Relâcher l'agrafe.

5.9 Monter l'adaptateur de rail de guidage 6

i L'adaptateur de rail de guidage est disponible comme accessoire.

1. Le cas échéant, démonter la butée parallèle.
2. Accrocher la semelle dans les taquets de maintien de l'adaptateur de rail de guidage.
3. Introduire la semelle dans l'adaptateur de rail de guidage.
 - ▶ La semelle est à fleur dans l'adaptateur de rail de guidage.
4. Verrouiller l'adaptateur de rail de guidage en poussant les deux coulisseaux jusqu'en butée.

5.10 Vidage du bac à copeaux 7

AVERTISSEMENT

Risque de blessures Danger engendré par des copeaux très chauds ou tranchants.

- ▶ Porter des gants de protection pour vider le bac à copeaux.

1. Tirer le bac à copeaux vers l'arrière.
2. Rabattre les deux moitiés du bac à copeaux et vider le bac.
3. Pousser le bac à copeaux sur le capot jusqu'à ce qu'il s'encliquette.

6 Utilisation

Bien respecter les consignes de sécurité et les avertissements de la présente documentation ainsi que celles figurant sur le produit.



6.1 Mettre en marche ou arrêter

Mise en marche

1. Maintenant le dispositif de blocage de l'interrupteur et actionner l'interrupteur Marche / Arrêt.
 - ▶ Il est possible de relâcher le dispositif de blocage de l'interrupteur dès que l'interrupteur Marche / Arrêt est actionné.

Arrêt

2. Relâcher l'interrupteur Marche / Arrêt.
 - ▶ Le dispositif de blocage anti-démarrage se met automatiquement en position de blocage.

6.2 Sciage suivant l'indicateur de coupe



Ne scier que des pièces planes offrant une surface de pose suffisamment grande pour la semelle.

1. Positionner la pièce à travailler, de sorte que la lame de scie puisse tourner librement sous la pièce.
2. Bloquer la pièce travaillée afin qu'elle ne glisse pas.
3. Poser le produit de sorte que le bord avant de la plaque de base repose sur la pièce travaillée.
 - ▶ La lame de scie n'est pas en contact avec la pièce à travailler.
4. Mettre le produit en marche. → Page 28
5. Guider la scie le long du tracé avec une vitesse de travail appropriée à travers la pièce à travailler.

7 Nettoyage et entretien



AVERTISSEMENT

Risque de blessures lorsque l'accu est inséré !

- ▶ Toujours retirer l'accu avant tous travaux de nettoyage et d'entretien !

Entretien du produit

- Éliminer avec précaution les saletés récalcitrantes.
- Le cas échéant, nettoyer soigneusement les ouïes d'aération à l'aide d'une brosse sèche et douce.
- Nettoyer le carter de l'appareil uniquement avec un chiffon légèrement humide. Ne pas utiliser de nettoyeurs à base de silicone car ceci pourrait attaquer les pièces en plastique.
- Utiliser un chiffon propre et sec pour nettoyer les contacts du produit.

Entretien des accus Li-ion

- Ne jamais utiliser un accu dont les ouïes d'aération sont bouchées. Nettoyer soigneusement les ouïes d'aération à l'aide d'une brosse sèche et douce.
- Éviter d'exposer inutilement l'accu à la poussière ou à la saleté. Ne jamais exposer l'accu à une forte humidité (par exemple en l'immergeant dans de l'eau ou en le laissant sous la pluie).
Si l'accu a été trempé, le traiter comme un accu endommagé. L'isoler dans un récipient ininflammable et s'adresser au S.A.V. **Hilti**.
- Veiller à ce que l'accu soit toujours exempt de traces de graisse et d'huile étrangères. Ne pas laisser de la poussière ou de la saleté s'accumuler inutilement sur l'accu. Nettoyer l'accu avec une brosse sèche et douce ou un chiffon propre et sec. Ne pas utiliser de nettoyeurs à base de silicone car ceci pourrait attaquer les pièces en plastique.
Ne pas toucher les contacts de l'accu et ne pas enlever la graisse appliquée en usine sur les contacts.
- Nettoyer le carter de l'appareil uniquement avec un chiffon légèrement humide. Ne pas utiliser de nettoyeurs à base de silicone car ceci pourrait attaquer les pièces en plastique.

Entretien

- Vérifier régulièrement qu'aucune pièce visible n'est endommagée et que les organes de commande sont parfaitement opérationnels.
- Ne pas utiliser le produit en cas d'endommagements et/ou de dysfonctionnements. Faire immédiatement réparer le produit par le S.A.V. **Hilti**.
- Après des travaux de nettoyage et d'entretien, vérifier si tous les équipements de protection sont bien en place et fonctionnent parfaitement.





Pour une utilisation en toute sécurité, utiliser uniquement des pièces de rechange et consommables d'origine. Vous trouverez les pièces de rechange, consommables et accessoires autorisés par Hilti convenant pour votre produit dans le centre **Hilti Store** ou sous : **www.hilti.group**

7.1 Nettoyage de l'équipement de protection

1. Démontez la lame de scie. → Page 26
2. Nettoyez les équipements de protection avec précaution au moyen d'une brosse sèche.
3. Éliminez les dépôts et copeaux restés à l'intérieur des équipements de protection avec un ustensile approprié.
4. Montez la lame de scie. → Page 27

7.2 Nettoyage du canal d'évacuation des copeaux

1. Démontez la lame de scie. → Page 26
2. Nettoyez le canal à copeaux avec une brosse.
3. Montez la lame de scie. → Page 27

7.3 Contrôle après des travaux de nettoyage et d'entretien

Après des travaux de nettoyage et d'entretien, vérifiez si tous les équipements de protection sont bien en place et fonctionnent parfaitement.

1. Pour contrôler le capot de protection oscillant, l'ouvrir complètement en actionnant le levier de commande.
 - ▶ Après avoir relâché le levier de commande, le capot de protection oscillant doit se refermer rapidement et complètement de lui-même.
2. Contrôlez le fonctionnement des pièces mobiles, par ex. blocage ou meulage.
3. Vérifiez l'absence de cassures ou autres dommages évidents sur le produit.

8 Transport et stockage des outils sur accu et des accus

Transport



Mise en marche inopinée lors du transport !

- ▶ Toujours retirer les accus avant de transporter les produits !
- ▶ Retirer le ou les accus.
- ▶ Ne jamais transporter les accus en vrac. Pendant le transport, les accus doivent être protégés des vibrations et chocs excessifs, isolés de tout matériau conducteur ou autre accu, pour éviter qu'ils n'entrent en contact avec d'autres pôles de batterie et qu'ils provoquent un court-circuit. **Tenir compte des prescriptions locales pour le transport d'accus.**
- ▶ Ne pas envoyer les accus par la poste. S'adresser à un service d'expédition s'il faut envoyer des accus non endommagés.
- ▶ Contrôlez l'état du produit et des accus avant chaque utilisation, ainsi qu'avant et après tout transport prolongé.

Stockage



Endommagement involontaire du fait d'accus défectueux ou de chute d'accu !

- ▶ Toujours retirer les accus avant de stocker les produits !
- ▶ Stocker si possible le produit et les accus dans un endroit sec et frais. Respecter les valeurs limites de température indiquées dans les caractéristiques techniques.
- ▶ Ne pas stocker les accus sur le chargeur. Retirer toujours l'accu du chargeur après la charge.
- ▶ Ne jamais stocker les accus exposés au soleil, sur des sources de chaleur ou derrière des vitres.
- ▶ Stocker le produit et les accus à l'abri des enfants et des personnes non autorisées.
- ▶ Contrôlez l'état du produit et des accus avant chaque utilisation, ainsi qu'avant et après tout stockage prolongé.



9 Aide en cas de défaillance

En cas de dysfonctionnements, tenir compte de l'indicateur d'état de l'accu. Voir le chapitre **Affichages de l'accu Li-Ion**.

En cas de défaillances non énumérées dans ce tableau ou auxquelles il n'est pas possible de remédier sans aide, contacter le S.A.V. **Hilti**.

Défaillance	Causes possibles	Solution
Les DEL de l'accu n'indiquent rien	L'accu est défectueux	▶ S'adresser au S.A.V. Hilti .
Impossible d'enfoncer l'interrupteur Marche / Arrêt ou l'interrupteur est bloqué.	Pas de défaillance (fonction de sécurité).	▶ Activer le blocage anti-démarrage.
La vitesse de rotation chute brusquement.	Décharger l'accu.	▶ Charger l'accu.
	Force d'avance trop élevée.	▶ Réduire la force d'avance et remettre le produit en marche.
Les copeaux ne sont pas évacués et tombent sur la semelle.	Canal à copeaux bouché.	▶ Nettoyer le canal à copeaux. → Page 29
Après blocage de la lame de scie, le produit ne se met pas automatiquement à tourner.	La protection électronique contre les surcharges réagit.	▶ Appuyer une nouvelle fois sur le dispositif de blocage et l'interrupteur Marche / Arrêt.
L'accu ne s'encliquette pas avec un clic audible.	Ergot d'encliquetage encrassé sur l'accu.	▶ Nettoyer l'ergot d'encliquetage et réinsérer l'accu.
Le produit vibre plus fort qu'habituellement.	La lame de scie est mal montée.	▶ Démonter la lame de scie et la remonter.

10 Recyclage

AVERTISSEMENT

Risque de blessures en cas d'élimination incorrecte ! Émanations possibles de gaz et de liquides nocives pour la santé.

- ▶ Ne pas envoyer ni expédier d'accus endommagés !
- ▶ Recouvrir les raccordements avec un matériau non conducteur pour éviter tout court-circuit.
- ▶ Éliminer les accus en veillant à ce qu'ils soient hors de la portée des enfants.
- ▶ Éliminer l'accu en le déposant auprès du **Hilti Store** local ou s'adresser à l'entreprise de collecte des déchets compétente.

Les produits **Hilti** sont fabriqués pour une grande partie en matériaux recyclables. Le recyclage présuppose un tri adéquat des matériaux. **Hilti** reprend les appareils usagés dans de nombreux pays en vue de leur recyclage. Consulter le service clients **Hilti** ou un conseiller commercial.



- ▶ Ne pas jeter les appareils électriques, électroniques et accus dans les ordures ménagères !

11 Garantie constructeur

- ▶ En cas de questions sur les conditions de garantie, veuillez vous adresser à votre partenaire **Hilti** local.

12 Déclaration FCC (valable aux États-Unis) / Déclaration IC (valable au Canada)

Cet appareil est conforme au paragraphe 15 des dispositions FCC et RSS-210 de IC. La mise en service est soumise aux deux conditions suivantes :

1. Cet appareil ne devrait pas générer de rayonnements nuisibles.
2. L'appareil doit absorber toutes sortes de rayonnements, y compris les rayonnements entraînant des opérations indésirables.



13 Informations complémentaires

Des informations complémentaires concernant l'utilisation, la technique, l'environnement et le recyclage sont disponibles sous le lien ci-dessous : qr.hilti.com/manual?id=2276670

Ce lien figure également à la fin de la documentation sous forme de code QR.

Manual de instrucciones original

1 Información sobre la documentación

1.1 Acerca de esta documentación

- Lea detenidamente esta documentación antes de la puesta en servicio. Ello es imprescindible para un trabajo seguro y un manejo sin problemas.
- Respete las indicaciones de seguridad y las advertencias presentes en esta documentación y en el producto.
- Conserve este manual de instrucciones siempre junto con el producto y entregue el producto a otras personas siempre acompañado del manual.

1.2 Explicación de símbolos

1.2.1 Avisos

Las advertencias de seguridad advierten de peligros derivados del manejo del producto. Se utilizan las siguientes palabras de peligro:

PELIGRO

PELIGRO !

- ▶ Término utilizado para un peligro inminente que puede ocasionar lesiones graves o incluso la muerte.

ADVERTENCIA

ADVERTENCIA !

- ▶ Término utilizado para un posible peligro que puede ocasionar lesiones graves o incluso la muerte.







PRECAUCIÓN

PRECAUCIÓN !

- ▶ Término utilizado para una posible situación peligrosa que puede ocasionar lesiones o daños materiales.

1.2.2 Símbolos en el manual de instrucciones

En este manual de instrucciones se utilizan los siguientes símbolos:

	Consulte el manual de instrucciones
	Indicaciones de uso y demás información de interés
	Manejo con materiales reutilizables
	No tire las herramientas eléctricas y las baterías junto con los desperdicios domésticos
	Hilti Batería de Ion-Litio
	Hilti Cargador

1.2.3 Símbolos en las figuras

En las figuras se utilizan los siguientes símbolos:

2	Estos números hacen referencia a la figura correspondiente incluida al principio de este manual de instrucciones.
----------	---



3	La numeración describe el orden de los pasos de trabajo en la imagen y puede ser diferente de los pasos descritos en el texto.
11	En la figura Vista general se utilizan números de posición y los números de la leyenda están explicados en el apartado Vista general del producto .
	Preste especial atención a este símbolo cuando utilice el producto.

1.3 Símbolos dependientes del producto

1.3.1 Símbolos

En el producto se pueden utilizar los siguientes símbolos:

n_0	Número de referencia de revoluciones en vacío
---	Corriente continua
➔	Flecha de sentido de giro
RPM	Revoluciones por minuto
∅	Diámetro
	Hoja de sierra
	El producto permite la transferencia de datos inalámbrica, compatible con plataformas iOS y Android.
	Si está en el producto, significa que el organismo de certificación lo ha certificado para el mercado estadounidense y canadiense según las normas vigentes.

1.3.2 Símbolos adicionales en productos alimentados por batería

En el producto se utilizan los siguientes símbolos:

	Serie utilizada de baterías de Ion-Litio HilTI . Consulte las indicaciones recogidas en el capítulo Uso conforme a las prescripciones .
Li-Ion	Batería de Ion-Litio
	Nunca utilice la batería como herramienta de percusión.
	No deje que la batería se caiga. No utilice baterías que hayan recibido algún golpe ni que estén dañadas de alguna otra forma.

1.3.3 Señales prescriptivas

En el producto se utilizan las siguientes señales prescriptivas:

	Utilizar gafas protectoras
--	----------------------------

1.4 Información del producto

Los productos han sido diseñados para usuarios profesionales y solo personal autorizado y debidamente formado puede utilizarlos y llevar a cabo su mantenimiento y conservación. Este personal debe estar especialmente instruido en lo referente a los riesgos de uso. La utilización del producto y sus dispositivos auxiliares puede conllevar riesgos para el usuario en caso de manejarse de forma inadecuada por personal no cualificado o utilizarse para usos diferentes a los que están destinados.

La denominación del modelo y el número de serie están indicados en la placa de identificación.



- ▶ Escriba el número de serie en la siguiente tabla. Necesitará los datos del producto para realizar consultas a nuestros representantes o al Departamento de Servicio Técnico.

Datos del producto

Sierra circular	SC 5ML-22
Generación:	01
N.º de serie:	

2 Seguridad

2.1 Indicaciones generales de seguridad para herramientas eléctricas

⚠ ADVERTENCIA Lea con atención todas las indicaciones de seguridad, instrucciones, ilustraciones y datos técnicos correspondientes a esta herramienta eléctrica. La negligencia en el cumplimiento de las instrucciones que se describen a continuación podría provocar descargas eléctricas, incendios o lesiones graves.

Conservar todas las instrucciones e indicaciones de seguridad para futuras consultas.

El término «herramienta eléctrica» empleado en las indicaciones de seguridad se refiere a herramientas eléctricas portátiles, ya sea con cable de red o sin cable, en caso de ser accionadas por batería.

Seguridad en el puesto de trabajo

- ▶ **Mantenga su área de trabajo limpia y bien iluminada.** El desorden o una iluminación deficiente de las zonas de trabajo pueden provocar accidentes.
- ▶ **No utilice la herramienta eléctrica en un entorno con peligro de explosión en el que se encuentren líquidos, gases o polvos inflamables.** Las herramientas eléctricas producen chispas que pueden llegar a inflamar los materiales en polvo o vapores.
- ▶ **Mantenga alejados a los niños y otras personas de su puesto de trabajo al emplear la herramienta eléctrica.** Una distracción le puede hacer perder el control sobre la herramienta.

Seguridad eléctrica

- ▶ **El enchufe de la herramienta eléctrica debe corresponder a la toma de corriente utilizada. No se deberá modificar el enchufe en forma alguna. No utilice enchufes adaptadores para las herramientas eléctricas con puesta a tierra.** Los enchufes sin modificar adecuados a las respectivas tomas de corriente reducen el riesgo de descarga eléctrica.
- ▶ **Evite el contacto corporal con superficies que tengan puesta a tierra, como pueden ser tubos, calefacciones, cocinas y frigoríficos.** El riesgo a quedar expuesto a una sacudida eléctrica es mayor si su cuerpo tiene contacto con tierra.
- ▶ **No exponga las herramientas eléctricas a la lluvia y evite que penetren líquidos en su interior.** El riesgo de recibir descargas eléctricas aumenta si penetra agua en la herramienta eléctrica.
- ▶ **No utilice el cable de conexión para transportar o colgar la herramienta eléctrica ni tire de él para extraer el enchufe de la toma de corriente. Mantenga el cable de conexión alejado de fuentes de calor, aceite, aristas afiladas o piezas móviles.** Los cables de conexión dañados o enredados pueden provocar descargas eléctricas.
- ▶ **Cuando trabaje al aire libre con una herramienta eléctrica, utilice exclusivamente un alargador adecuado para exteriores.** La utilización de un alargador adecuado para su uso en exteriores evita el riesgo de una descarga eléctrica.
- ▶ **Cuando no pueda evitarse el uso de la herramienta eléctrica en un entorno húmedo, utilice un interruptor de corriente de defecto.** La utilización de un interruptor de corriente de defecto evita el riesgo de una descarga eléctrica.

Seguridad de las personas

- ▶ **Permanezca atento, preste atención durante el trabajo y utilice la herramienta eléctrica con prudencia. No utilice una herramienta eléctrica si está cansado, ni tampoco después de haber consumido alcohol, drogas o medicamentos.** Un momento de descuido al utilizar la herramienta eléctrica podría producir graves lesiones.
- ▶ **Utilice el equipo de seguridad personal adecuado y lleve siempre gafas protectoras.** El riesgo de lesiones se reduce considerablemente si, según el tipo y la aplicación de la herramienta eléctrica empleada, se utiliza un equipo de seguridad personal adecuado como una mascarilla antipolvo, zapatos de seguridad con suela antideslizante, casco de protección o protección para los oídos.
- ▶ **Evite una puesta en servicio fortuita de la herramienta. Asegúrese de que la herramienta eléctrica está apagada antes de alzarla, transportarla, conectarla a la toma de corriente o insertar la batería.** Si transporta la herramienta eléctrica sujetándola por el interruptor de conexión/desconexión



o si introduce el enchufe en la toma de corriente con la herramienta conectada, podría producirse un accidente.

- ▶ **Retire las herramientas de ajuste o llaves fijas antes de conectar la herramienta eléctrica.** Una herramienta o llave colocada en una pieza giratoria puede producir lesiones al ponerse en funcionamiento.
- ▶ **Evite adoptar posturas forzadas. Procure que la postura sea estable y manténgase siempre en equilibrio.** De esta forma podrá controlar mejor la herramienta eléctrica en caso de presentarse una situación inesperada.
- ▶ **Utilice ropa adecuada. No utilice vestimenta amplia ni joyas. Mantenga su pelo, vestimenta y guantes alejados de las piezas móviles.** La vestimenta suelta, las joyas y el pelo largo se pueden enganchar con las piezas en movimiento.
- ▶ **Siempre que sea posible montar equipos de aspiración o captación de polvo, asegúrese de que están conectados y de que se utilizan correctamente.** El uso de un sistema de aspiración de polvo reduce los riesgos derivados del polvo.
- ▶ **No se crea a salvo de cualquier riesgo ni pase por alto ninguna de las normas de seguridad relativas a las herramientas eléctricas, aun cuando esté familiarizado con la herramienta eléctrica y tenga larga experiencia en su uso.** Una actuación negligente puede provocar lesiones graves en cuestión de segundos.

Uso y manejo de la herramienta eléctrica

- ▶ **No sobrecargue la herramienta. Utilice la herramienta eléctrica adecuada para el trabajo que se dispone a realizar.** Con la herramienta eléctrica apropiada podrá trabajar mejor y de modo más seguro dentro del margen de potencia indicado.
- ▶ **No utilice herramientas eléctricas con el interruptor defectuoso.** Las herramientas eléctricas que no se puedan conectar o desconectar son peligrosas y deben repararse.
- ▶ **Extraiga el enchufe de la toma de corriente o retire la batería extraíble antes de efectuar cualquier ajuste en la herramienta, cambiar accesorios o en caso de no utilizar la herramienta durante un tiempo prolongado.** Esta medida preventiva evita el riesgo de arranque accidental de la herramienta eléctrica.
- ▶ **Guarde las herramientas eléctricas que no utilice fuera del alcance de los niños. No permita utilizar la herramienta a ninguna persona que no esté familiarizada con ella o que no haya leído este manual de instrucciones.** Las herramientas eléctricas utilizadas por personas inexpertas son peligrosas.
- ▶ **Cuide su herramienta eléctrica y los accesorios adecuadamente. Compruebe si las piezas móviles de la herramienta funcionan correctamente y sin atascarse, y si existen piezas rotas o deterioradas que pudieran afectar al funcionamiento de la herramienta eléctrica. Encargue la reparación de las piezas defectuosas antes de usar la herramienta eléctrica.** Muchos accidentes son consecuencia de un mantenimiento inadecuado de la herramienta eléctrica.
- ▶ **Mantenga los útiles limpios y afilados.** Las herramientas de corte bien cuidadas y con aristas afiladas se atascan menos y se guían con más facilidad.
- ▶ **Utilice la herramienta eléctrica, los accesorios, útiles de inserción, etc., de acuerdo con estas instrucciones. Para ello, tenga en cuenta las condiciones de trabajo y la tarea que se va a realizar.** El uso de herramientas eléctricas para trabajos diferentes de aquellos para los que han sido concebidas puede resultar peligroso.
- ▶ **Mantenga las empuñaduras y las superficies de contacto secas, limpias y sin residuos de aceite o grasa.** Las empuñaduras y superficies de contacto resbaladizas impiden manejar y controlar la herramienta eléctrica con seguridad en situaciones imprevistas.

Uso y manejo de la herramienta de batería

- ▶ **Cargue las baterías únicamente con los cargadores recomendados por el fabricante.** Existe riesgo de incendio al intentar cargar baterías de un tipo diferente al previsto para el cargador.
- ▶ **Utilice únicamente las baterías previstas para la herramienta eléctrica.** El uso de otro tipo de baterías puede provocar daños e incluso incendios.
- ▶ **Si no utiliza la batería, guárdela separada de clips, monedas, llaves, clavos, tornillos y demás objetos metálicos que pudieran puentear sus contactos.** El cortocircuito de los contactos de la batería puede causar quemaduras o incendios.
- ▶ **La utilización inadecuada de la batería puede provocar fugas de líquido. Evite el contacto con este líquido. En caso de contacto accidental, enjuague el área afectada con abundante agua. En caso de contacto con los ojos, acuda además inmediatamente a un médico.** El líquido de la batería puede irritar la piel o producir quemaduras.
- ▶ **No utilice baterías dañadas o modificadas.** Una batería dañada o modificada puede tener un comportamiento imprevisible y provocar incendios, explosiones o riesgo de lesiones.



- ▶ **No exponga la batería al fuego o a temperaturas muy elevadas.** El fuego o las temperaturas superiores a 130 °C (265 °F) pueden provocar una explosión.
- ▶ **Siga todas las instrucciones relativas a la carga y no cargue nunca la batería o la herramienta de batería excediendo el rango de temperatura indicado en el manual de instrucciones.** Una carga incorrecta o fuera del rango de temperatura permitido puede destruir la batería y aumentar el riesgo de incendio.

Servicio Técnico

- ▶ **Solicite que un profesional lleve a cabo la reparación de su herramienta eléctrica y que utilice exclusivamente piezas de repuesto originales.** Solamente así se garantiza la seguridad de la herramienta.
- ▶ **No realice nunca el mantenimiento de baterías dañadas.** Cualquier mantenimiento de las baterías debe llevarlo a cabo el fabricante o un centro del Servicio de Atención al Cliente autorizado.

2.2 Indicaciones de seguridad para cualquier sierra

Método de serrado

- ▶ **⚠ PELIGRO: Mantenga las manos alejadas del área de corte y de la hoja de sierra. Sujete la empuñadura adicional o la carcasa del motor con la otra mano.** Si sujeta la sierra con ambas manos, no correrá peligro de lesionarse con la hoja de sierra.
- ▶ **No toque la parte inferior de la pieza de trabajo.** La caperuza protectora no le protege del contacto con la hoja de sierra en la parte inferior de la pieza de trabajo.
- ▶ **Adapte la profundidad de corte al grosor de la pieza de trabajo.** La hoja de sierra no debe sobresalir más de un diente de la pieza de trabajo.
- ▶ **No sujete nunca la pieza de trabajo con la mano o sobre sus piernas. Fije la pieza de trabajo sobre una superficie estable.** Una buena sujeción de la pieza de trabajo es muy importante para reducir el riesgo de atasco de la hoja de sierra o de pérdida de control sobre la herramienta.
- ▶ **Sujete la herramienta eléctrica únicamente por las empuñaduras aisladas cuando realice trabajos en los que la herramienta puede entrar en contacto con cables eléctricos ocultos.** El contacto con cables eléctricos puede activar también las partes metálicas de la herramienta eléctrica y provocar descargas eléctricas.
- ▶ **Utilice siempre un tope o una guía para ángulos rectos al realizar cortes longitudinales.** De este modo se incrementa la exactitud del corte y se reduce el riesgo de atasco de la hoja de sierra.
- ▶ **Utilice siempre hojas de sierra con las dimensiones correctas y el orificio adecuado (p. ej., en forma de estrella o redondo).** Las hojas de sierra que no encajan perfectamente con los componentes de montaje de la sierra giran de forma excéntrica y pueden hacerle perder el control sobre la herramienta.
- ▶ **No utilice nunca arandelas o tornillos de sujeción dañados o inapropiados para la hoja de sierra.** Las arandelas y los tornillos de sujeción de la hoja de sierra han sido especialmente diseñados para ofrecer el mayor número de prestaciones y la máxima seguridad de trabajo.

Descripción de las causas del rebote e indicaciones de seguridad correspondientes

- El rebote es una fuerza de reacción brusca que sucede al engancharse, atascarse o guiar incorrectamente la hoja de sierra, lo cual provoca que la sierra se salga de forma incontrolada de la pieza de trabajo y resulte impulsada hacia el usuario.
- Si la hoja de sierra se engancha o se atasca al cerrarse la ranura de corte, la hoja de sierra se bloquea y el motor impulsa la sierra en dirección al usuario.
- Si la hoja de sierra se gira lateralmente o se desalinea, los dientes de la parte posterior de la hoja de sierra pueden engancharse en la cara superior de la pieza de trabajo haciendo que la hoja de sierra se salga de la ranura de corte y que la herramienta salga despedida hacia atrás en dirección al usuario.

El rebote se debe a la utilización inadecuada o a procedimientos o condiciones de trabajo. Puede evitarse cumpliendo las medidas de seguridad pertinentes que se describen a continuación.

- ▶ **Sujete la sierra firmemente con ambas manos manteniendo los brazos en una posición que le permita hacer frente a las fuerzas de rebote. Mantenga la hoja de sierra a un lado y no la coloque en línea con su cuerpo.** Si la sierra circular retrocede bruscamente al rebotar, el usuario podrá controlar dicha fuerza de rebote siempre que haya tomado las precauciones adecuadas.
- ▶ **Si la hoja de sierra se atasca o el trabajo se interrumpe, desconecte la sierra y espere hasta que la hoja de sierra se detenga. Nunca intente extraer la sierra de la pieza de trabajo ni tirar de ella hacia atrás mientras la hoja de sierra esté en funcionamiento, ya que de lo contrario puede rebotar.** Detecte las causas que provocan que la hoja de sierra se atasque y corríjalas.
- ▶ **Para continuar el trabajo con la sierra insertada en la pieza de trabajo, centre la hoja de sierra en la ranura y compruebe que los dientes no estén enganchados en la pieza de trabajo.** Si la hoja



de sierra está atascada puede llegar a salirse de la pieza de trabajo o provocar un rebote al ponerla de nuevo en marcha.

- ▶ **Apoye las placas grandes para evitar el riesgo de rebote a causa del atasco de la hoja de sierra.** Las placas grandes pueden doblarse por su propio peso. Las placas deben estar sujetadas a ambos lados, tanto cerca de la ranura de la sierra como del borde.
- ▶ **No utilice hojas de sierra desafiladas o dañadas.** Las hojas de sierra con dientes desafilados o desalineados provocan una fricción excesiva, atasco o rebote de la hoja de sierra a causa de una ranura de corte demasiado estrecha.
- ▶ **Antes de empezar a serrar, ajuste los dispositivos de profundidad y el ángulo de corte.** Si durante el trabajo de serrado se modifica la configuración, la hoja de sierra puede atascarse y originar un rebote.
- ▶ **Preste especial atención al serrar en paredes o en áreas ocultas.** Durante el proceso de serrado, la hoja de sierra puede quedar bloqueada en objetos ocultos y provocar un rebote.

Función de la caperuza protectora inferior

- ▶ **Antes de cada aplicación, compruebe que la caperuza protectora inferior cierra correctamente. No use la sierra si la caperuza protectora inferior no gira con total libertad o se cierra de forma repentina. No bloquee ni conecte la caperuza protectora inferior en posición abierta.** En caso de caída de la sierra, la caperuza protectora inferior podría deformarse. Abra la caperuza protectora inferior con la palanca y asegúrese de que se mueve con total libertad sin llegar a tocar la hoja de sierra ni otras partes en cualquier ángulo y profundidad de corte.
- ▶ **Compruebe el funcionamiento del muelle de la caperuza protectora inferior. Si la caperuza protectora inferior o el muelle no funcionan correctamente, repare la herramienta antes de su utilización.** Las piezas deterioradas, los restos de material pegajoso o las virutas acumuladas pueden alterar el buen funcionamiento de la caperuza protectora inferior.
- ▶ **Abra la caperuza protectora inferior manualmente solo al realizar cortes especiales como «cortes por inmersión» o «cortes en ángulo».** Abra la caperuza protectora inferior con la palanca y suéltela cuando la hoja de sierra haya penetrado en la pieza de trabajo. Para el resto de aplicaciones, la caperuza protectora inferior deberá utilizarse de forma automática.
- ▶ **No deposite la sierra sobre el banco de trabajo o el suelo si la caperuza protectora inferior no cubre la hoja de sierra.** Las hojas de sierra sin protección empujan a la sierra en dirección contraria a la dirección de corte, serrando todo lo que encuentra a su paso. Tenga en cuenta el tiempo de marcha por inercia de la sierra.

Función de la caperuza protectora

- ▶ **Antes de cada aplicación, compruebe que la caperuza protectora cierra correctamente. No utilice la sierra si la caperuza protectora no se mueve con total libertad o no se cierra inmediatamente. Nunca bloquee ni ate la caperuza protectora, puesto que la hoja de sierra quedaría desprotegida.** En caso de caída involuntaria de la sierra, la caperuza protectora podría deformarse. Asegúrese de que la caperuza protectora se mueve con total libertad y que no entra en contacto con la hoja de la sierra ni con otras piezas con todos los ángulos y profundidades de corte posibles.
- ▶ **Compruebe el estado y el funcionamiento de los muelles para la caperuza protectora. Si la caperuza protectora o el muelle no funcionan correctamente, repare la herramienta antes de su utilización.** Las piezas deterioradas, los restos de material pegajoso o las virutas acumuladas pueden alterar el buen funcionamiento de la caperuza protectora inferior.
- ▶ **En el caso de los «cortes por inmersión» que no se realizan en ángulo recto, fije la placa base de la sierra para que no se desplace lateralmente.** Un desplazamiento lateral puede provocar el atasco de la hoja de la sierra y por consiguiente, el rebote.
- ▶ **No deposite la sierra sobre el banco de trabajo o el suelo si la caperuza protectora no cubre la hoja de sierra.** Las hojas de sierra sin protección empujan a la sierra en dirección contraria a la dirección de corte, serrando todo lo que encuentra a su paso. Tenga en cuenta el tiempo de marcha por inercia de la sierra.

2.3 Indicaciones de seguridad adicionales

Seguridad de las personas

- ▶ No efectúe nunca manipulaciones o modificaciones en el producto ni en los accesorios.
- ▶ Utilice la herramienta eléctrica siempre con los dispositivos de seguridad correspondientes.
- ▶ Si utiliza la herramienta eléctrica sin el aspirador de polvo, lleve siempre una mascarilla ligera al realizar trabajos que generen polvo.
- ▶ Sujete siempre la herramienta eléctrica con ambas manos por las empuñaduras previstas.
- ▶ Utilice protección para los oídos. El ruido constante puede reducir la capacidad auditiva.
- ▶ Efectúe pausas durante el trabajo, así como ejercicios de relajación y estiramiento de los dedos para mejorar la circulación de estos.



- ▶ La herramienta eléctrica no es adecuada para personas con poca fuerza a las que no se haya instruido.
- ▶ No conecte la herramienta eléctrica hasta que no se encuentre en el lugar y la posición de trabajo.
- ▶ Retire la batería en caso de problemas con la herramienta eléctrica, para cambiar de útil de inserción o de accesorio y cuando vaya a transportar o almacenar la herramienta eléctrica.
- ▶ No trabaje con la herramienta eléctrica por encima de la cabeza.
- ▶ No reduzca la velocidad de la herramienta eléctrica presionando lateralmente contra la hoja de sierra.
- ▶ Antes de instalar la batería, asegúrese de que la sierra esté apagada y el bloqueo de conexión esté activado. Esto evitará lesiones causadas por el arranque involuntario de la herramienta eléctrica.
- ▶ No toque la brida de apriete ni el tornillo de apriete cuando la herramienta eléctrica esté en marcha.
- ▶ Antes de dejar la herramienta eléctrica, espere hasta que se haya detenido por completo.
- ▶ Antes de cambiar el útil de inserción, espere hasta que la herramienta eléctrica se haya enfriado.
- ▶ Nunca pulse el botón de bloqueo del husillo hasta que la hoja de sierra se haya detenido.
- ▶ No trabaje con la herramienta eléctrica orientada hacia ninguna persona.
- ▶ El bloqueo de conexión debe estar siempre activado cuando cambie los accesorios o las baterías, durante el transporte o cuando vaya a almacenar la herramienta eléctrica.
- ▶ Utilice siempre una hoja de sierra adecuada para el material y el estado de la pieza de trabajo.
- ▶ Ajuste la potencia de avance a la hoja de sierra y al material con el que esté trabajando. Esto evitará que la hoja de sierra se atasque y cause un rebote.
- ▶ Las virutas metálicas son cortantes y pueden provocar lesiones. Asegúrese de que su vestimenta esté completamente cerrada para evitar la penetración de virutas en los guantes, zapatos o cualquier otra parte de la indumentaria.
- ▶ Observe con atención dónde se depositan las virutas metálicas. Las virutas están calientes y pueden provocar incendios, quemaduras y heridas por cortes.
- ▶ Evite que se sobrecalienten las puntas de los dientes de la sierra.
- ▶ La velocidad admisible del útil de inserción debe ser, como mínimo, la velocidad máxima indicada en la herramienta eléctrica. Los accesorios que giren a una velocidad superior a la autorizada pueden romperse o salir despedidos.
- ▶ No trabaje en un entorno donde haya mucho polvo.
- ▶ El polvo que se genera al pulir, lijar, cortar y taladrar puede contener productos químicos peligrosos, como, por ejemplo, plomo o pinturas basadas en plomo; ladrillos, hormigón y otros productos de mampostería, piedra natural y otros productos que contengan silicatos; determinadas maderas, como el roble o el haya o las maderas tratadas químicamente, o amianto o materiales que contengan asbesto. La exposición del usuario y las personas circundantes debe regularse según la clase de peligro de los materiales con los que se trabaje. Tome las medidas necesarias para mantener la exposición a un nivel seguro, p. ej., mediante el uso de un sistema de recogida de polvo o una mascarilla adecuada. Las medidas genéricas para reducir la exposición son, entre otras:
 - ▶ trabajar en un espacio bien ventilado;
 - ▶ evitar el contacto prolongado con el polvo;
 - ▶ desviar el polvo de la cara y el cuerpo;
 - ▶ usar prendas protectoras y lavar con agua y jabón las zonas expuestas.
- ▶ Lleve siempre una mascarilla adecuada para los requisitos de la aplicación.
- ▶ Antes de iniciar el trabajo, consulte la clase de peligros derivados del polvo resultante del trabajo. Utilice un aspirador de obra con una clasificación de protección homologada conforme a las normas locales sobre la protección contra el polvo.
- ▶ Respete la normativa nacional en materia de protección laboral.
- ▶ Utilice dispositivos de sujeción u otro método factible para asegurar la pieza de trabajo y mantenerla en una posición estable. Sujetar la pieza de trabajo con la mano o el cuerpo es inestable y puede derivar en una pérdida de control. No permita que terceros sostengan la pieza de trabajo en su posición.
- ▶ No mire directamente hacia la luz (LED) ni dirija la luz a la cara de otras personas.
- ▶ - Riesgo de lesiones en caso de caída de herramientas o accesorios. Antes de iniciar el trabajo, compruebe que los accesorios montados estén bien fijados.
- ▶ Desplace la sierra circular manual sobre la pieza de trabajo solo cuando esté conectada.
- ▶ Utilice únicamente hojas de sierra recomendadas por Hilti que cumplan la norma EN 847-1.

Seguridad eléctrica

- ▶ Compruebe antes de empezar a trabajar si la zona de trabajo oculta cables eléctricos, tuberías de gas o cañerías de agua, por ejemplo, con un detector. Las partes metálicas exteriores de la herramienta eléctrica pueden pasar a conducir electricidad si, por ejemplo, se ha dañado por error un cable eléctrico. Esto provoca un mayor riesgo de descarga eléctrica.



2.4 Manipulación y utilización segura de las baterías

- ▶ **Tenga en cuenta las siguientes indicaciones de seguridad para el manejo y el uso seguros de las baterías de Ion-Litio.** En caso de no respetarlas, puede llevar a irritación de la piel, lesiones corrosivas graves, quemaduras químicas, fuego o explosiones.
- ▶ Utilice las baterías solo si están en perfecto estado técnico.
- ▶ Manipule las baterías con cuidado a fin de evitar daños o escapes de líquido altamente peligroso para su salud.
- ▶ Las baterías no deben modificarse ni manipularse en ningún caso.
- ▶ Las baterías no se deben destruir, comprimir, calentar por encima de 80 °C (176 °F) o quemar.
- ▶ No utilice ni cargue baterías que hayan recibido algún golpe ni que estén dañadas de alguna otra forma. Compruebe con regularidad si las baterías presentan signos de daños.
- ▶ No utilice nunca baterías recicladas o reparadas.
- ▶ Nunca utilice la batería o una herramienta eléctrica de batería como herramienta de percusión.
- ▶ No exponga nunca las baterías a radiación solar directa, temperaturas elevadas, chispas o llamas abiertas. Esto puede provocar explosiones.
- ▶ No toque los polos de la batería con los dedos, con herramientas, con joyas o con otros objetos conductores de la electricidad. Esto puede dañar la batería y provocar otros daños materiales y lesiones.
- ▶ Mantenga las baterías alejadas de la lluvia, la humedad y los líquidos. Si entra humedad, pueden producirse cortocircuitos, descargas eléctricas, quemaduras, incendios y explosiones.
- ▶ Utilice únicamente cargadores y herramientas eléctricas concebidos para este tipo de baterías. Para ello, consulte las indicaciones recogidas en el manual de instrucciones correspondiente.
- ▶ No utilice ni almacene la batería en entornos con peligro de explosión.
- ▶ Si al tocar la batería detecta que está muy caliente, puede deberse a una avería en la misma. Coloque la batería en un lugar visible, no inflamable, a suficiente distancia de otros materiales inflamables. Deje que la batería se enfríe. Si, después de una hora, la herramienta sigue estando demasiado caliente para tocarla significa que está averiada. Diríjase al Servicio Técnico de **Hilti** o lea el documento «Indicaciones de seguridad y uso de las baterías de Ion-Litio de **Hilti**».



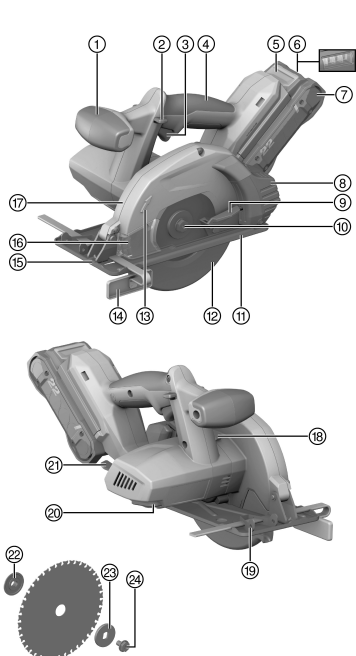
Tenga en cuenta las directivas especiales aplicables al transporte, almacenamiento y uso de las baterías de Ion-Litio. → página 45

Lea las instrucciones de seguridad y uso de las baterías de Ion-Litio de **Hilti**, que puede encontrar escaneando el código QR que se encuentra al final de estas instrucciones de uso.



3 Descripción

3.1 Vista general del producto 1



- ① Empuñadura adicional
- ② Bloqueo de conexión
- ③ Interruptor de conexión y desconexión
- ④ Empuñadura
- ⑤ Tecla de desbloqueo de la batería
- ⑥ Indicador de estado de la batería
- ⑦ Batería
- ⑧ Contenedor para virutas
- ⑨ Palanca de mando para caperuza protectora contra oscilaciones
- ⑩ Husillo de accionamiento
- ⑪ Placa base
- ⑫ Caperuza protectora contra oscilaciones
- ⑬ Flecha de sentido de giro
- ⑭ Tope paralelo
- ⑮ Indicador de trazado/control de las líneas de corte
- ⑯ LED/mirilla
- ⑰ Cubierta protectora
- ⑱ Bloqueo del husillo
- ⑲ Pinza para tope paralelo
- ⑳ Llave de hexágono interior
- ㉑ Palanca de apriete para el ajuste de la profundidad de corte
- ㉒ Brida de alojamiento
- ㉓ Brida de apriete
- ㉔ Tornillo de apriete

3.2 Uso conforme a las prescripciones

El producto descrito es una sierra circular de batería. Sirve para trabajos de serrado en metal o en materiales similares.

Utilice únicamente hojas de sierra adecuadas para el producto, que coincidan con los datos técnicos (p. ej. diámetro, velocidad, espesor, material, etc...). No se permite el uso de discos lijadores y tronzadores ni de hojas de sierra de acero de corte rápido de alta aleación (acero HSS). No se debe serrar madera o materiales similares, plásticos, yeso encartonado, paneles de fibra de yeso ni materiales compuestos.

- Para este producto utilice únicamente baterías de Ion-Litio de la serie B 22 de **Hilti** Nuron. Para este producto, **Hilti** recomienda utilizar las baterías incluidas en la tabla que encontrará al final de este manual de instrucciones.
- Para estas baterías utilice exclusivamente los cargadores de **Hilti** de las series indicadas al final de este manual de instrucciones.

3.3 Suministro

Sierra circular, hoja de sierra, llave de hexágono interior, tope paralelo, depósito para virutas, manual de instrucciones.

Encontrará otros productos del sistema autorizados para su producto en su **Hilti Store** o en Internet, en: www.hilti.group

3.4 Accesorios

Brida de apriete, brida de alojamiento, tornillo de apriete



3.5 Mostrar la batería Ion-Litio

Las baterías de Ion-Litio de **Hilti** Nuron pueden mostrar el estado de carga, los mensajes de error y el estado de la batería.

3.5.1 Visualización del estado de carga y de los mensajes de error

ADVERTENCIA

Riesgo de lesiones por la caída de la batería

- ▶ Con la batería colocada, asegúrese tras pulsar la tecla de desbloqueo de que la batería vuelva a encajar correctamente en el producto empleado.

Para recibir una de las siguientes indicaciones, pulse brevemente la tecla de desbloqueo de la batería.

El estado de carga y las posibles averías también se muestran de forma permanente mientras el producto esté conectado.

Estado	Significado
Cuatro (4) LED encendidos permanentemente en verde	Estado de carga: 100 % a 71 %
Tres (3) LED encendidos permanentemente en verde	Estado de carga: 70 % a 51 %
Dos (2) LED se iluminan permanentemente en verde	Estado de carga: 50 % a 26 %
Un (1) LED está encendido permanentemente en verde	Estado de carga: 25 % a 10 %
Un (1) LED parpadea lentamente en verde	Estado de carga: < 10 %
Un (1) LED parpadea rápidamente en verde	La batería Ion-Litio está totalmente descargada. Cargue la batería. Si tras cargar la batería el LED sigue parpadeando rápidamente, diríjase al Servicio Técnico de Hilti .
Un (1) LED parpadea rápidamente en amarillo	La batería de Ion-Litio o el producto conectado a ella están sobrecargados, demasiado calientes, demasiado fríos o existe otro error. Ponga el producto y la batería en la temperatura de trabajo recomendada y no sobrecargue el producto durante su uso. Si sigue viendo el mensaje, diríjase al Servicio Técnico de Hilti .
Un (1) LED está encendido en amarillo	La batería Ion-Litio y el producto conectado a ella no son compatibles. Diríjase al servicio técnico de Hilti .
Un (1) LED parpadea rápidamente en rojo	La batería Ion-Litio está bloqueada y no puede seguir utilizándose. Diríjase al servicio técnico de Hilti .

3.5.2 Visualización del estado de la batería

Para consultar el estado de la batería, mantenga la tecla de desbloqueo pulsada durante más de tres segundos. El sistema no detecta un posible funcionamiento incorrecto de la batería debido a un mal uso, como caídas, hendiduras, daños por calor externo, etc.

Estado	Significado
Todos los LED se encienden como luz en movimiento y, a continuación, se enciende un (1) LED permanentemente en verde.	La batería puede seguir utilizándose.
Todos los LED se encienden como luz en movimiento y, a continuación, parpadea un (1) LED rápidamente en amarillo.	No se ha podido completar la consulta sobre el estado de la batería. Repita la operación o diríjase al Servicio Técnico de Hilti .



Estado	Significado
Todos los LED se encienden como luz en movimiento y, a continuación, parpadea un (1) LED permanentemente en rojo.	Cuando un producto conectado puede seguir utilizándose, la capacidad restante de la batería es inferior al 50 %. Cuando un producto conectado ya no puede seguir utilizándose, la batería ha llegado al final de su vida útil y debe ser sustituida. Diríjase al servicio técnico de Hilti .

3.6 Tope paralelo

Con el tope paralelo de un brazo pueden realizarse cortes exactos a lo largo del borde de una pieza de trabajo o cortes masivos de listones.

El tope paralelo puede montarse a ambos lados de la placa base.

4 Datos técnicos

4.1 Características del producto

Tensión nominal	21,6 V
Peso sin batería	3,0 kg (6,6 lb)
Grosor del disco base	1,2 mm (0,05 in)
Ancho de corte	1,6 mm (0,06 in)
Orificio de la hoja de sierra	15,8 mm (0,62 in)
Revoluciones nominales en vacío	3.500 rpm
Profundidad de corte máxima	57 mm (2,2 in)
Temperatura de almacenamiento	-20 °C ... 70 °C (-4 °F ... 158 °F)
Temperatura ambiente en funcionamiento	-17 °C ... 60 °C (1 °F ... 140 °F)

4.2 Batería

Tensión de servicio de la batería	21,6 V
Peso batería	Véase al final del manual de instrucciones
Temperatura ambiente en funcionamiento	-17 °C ... 60 °C (1 °F ... 140 °F)
Temperatura de almacenamiento	-20 °C ... 40 °C (-4 °F ... 104 °F)
Temperatura de la batería al comenzar la carga	-10 °C ... 45 °C (14 °F ... 113 °F)

5 Preparación del trabajo

ADVERTENCIA

Riesgo de lesiones por arranque involuntario.

- ▶ Antes de insertar la batería, asegúrese de que el producto correspondiente esté desconectado.
- ▶ Retire la batería antes de realizar ajustes en la herramienta o de cambiar accesorios.



Respete las indicaciones de seguridad y las advertencias presentes en esta documentación y en el producto.

5.1 Carga de la batería

1. Antes de cargarla, lea el manual de instrucciones del cargador.
2. Asegúrese de que los contactos de la batería y del cargador estén limpios y secos.
3. Cargue la batería en un cargador autorizado. → página 39

5.2 Colocación de la batería

ADVERTENCIA

Riesgo de lesiones por cortocircuito o caída de la batería.

- ▶ Antes de insertar la batería, asegúrese de que los contactos de la batería y del producto estén libres de cuerpos extraños.
- ▶ Asegúrese de que la batería encaje siempre correctamente.

1. Cargue por completo la batería antes de la primera puesta en servicio.
2. Introduzca la batería en el producto hasta que encaje de forma audible.
3. Compruebe que la batería está bien colocada.

5.3 Extracción de la batería


1. Pulse la tecla de desbloqueo de la batería.
2. Retire la batería del producto.

5.4 Protección frente a caídas

ADVERTENCIA

Riesgo de lesiones por caída de herramientas o accesorios.


- ▶ Utilice únicamente la cuerda de amarre para herramientas **Hilti** recomendada para su producto.
- ▶ Antes de cada uso, compruebe que el punto de fijación de la cuerda de amarre para herramientas no presente posibles daños.

 Tenga en cuenta las directivas nacionales para trabajos en altura.

Para este producto, utilice únicamente como protección frente a caídas la cuerda de amarre para herramientas **Hilti** #2261971.

- ▶ Fije la cuerda de amarre para herramientas con la correa del producto como se muestra en la figura. Compruebe que quede fijada de forma segura.
- ▶ Fije el mosquetón a una estructura portante. Compruebe que el mosquetón quede fijado de forma segura.



 Tenga en cuenta el manual de instrucciones de la cuerda de amarre para herramientas **Hilti**.

5.5 Desmontaje de la hoja de sierra 2

ADVERTENCIA

Peligro de quemaduras y cortes en la hoja de sierra, el tornillo de apriete y la brida de apriete Como consecuencia pueden producirse quemaduras y lesiones por cortes.

- ▶ Utilice guantes de protección para cambiar de útil.
1. Presione y mantenga presionado el bloqueo del husillo.
 2. Afloje el tornillo de apriete con la llave de hexágono interior.
 3. Retire el tornillo de apriete y la brida de apriete.



4. Abra la caperuza protectora inferior y retire la hoja de sierra.



En caso necesario puede extraerse la brida de alojamiento para su limpieza.

5.6 Montaje de la hoja de sierra 3



Asegúrese de que la hoja de sierra montada satisface los requisitos técnicos y está bien afilada.
Un buen afilado de la hoja de sierra es indispensable para realizar un corte perfecto.

1. Limpie la brida de alojamiento y la brida de apriete.
2. Inserte la brida de alojamiento en el husillo de accionamiento con la orientación correcta.
3. Abra la caperuza protectora inferior.
4. Inserte la nueva hoja de sierra.



Tenga en cuenta la flecha que indica la dirección de giro en la hoja de sierra y en el producto. Ambas deben coincidir.

5. Encaje la brida de apriete externa correctamente orientada.
6. Atornille el tornillo de apriete.
7. Coloque la llave de hexágono interior en el tornillo de apriete de la hoja de sierra.
8. Presione y mantenga presionado el bloqueo del husillo.
9. Apriete el tornillo de apriete con la llave de hexágono interior.
10. Compruebe la correcta colocación de la hoja de sierra.
11. Inserte la llave de hexágono interior en el orificio previsto para tal fin .

5.7 Ajuste de la profundidad de corte 4

1. Extraiga la palanca de apriete del dispositivo de ajuste de la profundidad de corte.
2. Levante el producto como si se tratara de unas tijeras y ajuste la profundidad de corte.
3. Fije la palanca de apriete del dispositivo de ajuste de la profundidad de corte.

5.8 Montaje del tope paralelo 5

1. Presione y mantenga la grapa unida.
2. Introduzca el tope paralelo en la placa base.
 - Puede ajustar el ancho de corte en función de su aplicación.
3. Suelte la grapa.

5.9 Montaje del adaptador del carril guía 6



El adaptador del carril guía está disponible como accesorio.

1. En caso necesario, desmonte el tope paralelo.
2. Enganche la placa base en las almas de soporte traseras del adaptador del carril guía.
3. Coloque la placa base en el adaptador del carril guía.
 - La placa base queda enrasada con el adaptador del carril guía.
4. Bloquee el adaptador del carril guía presionando las dos correderas hasta el tope.

5.10 Vaciado del contenedor para virutas 7



ADVERTENCIA

Riesgo de lesiones Peligro por virutas calientes o cortantes.

- Utilice guantes de protección cuando vacíe el contenedor para virutas.

1. Tire del contenedor para virutas hacia atrás.
2. Separe las dos mitades del contenedor para virutas y vacíelo.
3. Deslice el contenedor para virutas sobre la cubierta hasta que quede encastrado.



6 Manejo

Respete las indicaciones de seguridad y las advertencias presentes en esta documentación y en el producto.

6.1 Conexión o desconexión

Conexión

1. Presione y mantenga presionado el bloqueo de conexión y accione el interruptor de conexión y desconexión.
 - ▶ Puede soltar el bloqueo de conexión cuando haya presionado el interruptor de conexión y desconexión.

Desconexión

2. Suelte el interruptor de conexión y desconexión.
 - ▶ El bloqueo de conexión salta automáticamente a la posición de bloqueo.

6.2 Serrar según el trazado



Sierre únicamente piezas de trabajo planas con una superficie de apoyo suficientemente grande para la placa base.

1. Coloque la pieza de trabajo, de manera que la hoja de sierra puede funcionar con total libertad debajo de la pieza.
2. Fije bien la pieza de trabajo para que no se mueva.
3. Coloque el producto con el borde delantero de la placa base sobre la pieza de trabajo.
 - ▶ La hoja de sierra no entra en contacto con la pieza de trabajo.
4. Conecte el producto. → página 44
5. Guíe la sierra a lo largo de la grieta a una velocidad de trabajo adecuada a través de la pieza.

7 Cuidado y mantenimiento



ADVERTENCIA

Riesgo de lesiones con la batería colocada !

- ▶ Extraiga siempre la batería antes de llevar a cabo tareas de cuidado y mantenimiento.

Cuidado del producto

- Elimine con precaución la suciedad fuertemente adherida.
- Las rejillas de ventilación, si las hay, deben limpiarse con cuidadosamente con un cepillo seco y suave.
- Limpie la carcasa solo con un paño ligeramente humedecido. No utilice productos de limpieza que contengan silicona, ya que podrían dañar las piezas de plástico.
- Utilice un paño limpio y seco para limpiar los contactos del producto.

Cuidado de las baterías de Ion-Litio

- No utilice nunca una batería con las rejillas de ventilación obstruidas. Limpie cuidadosamente las rejillas de ventilación con un cepillo seco y suave.
- Evite la exposición innecesaria de la batería al polvo o la suciedad. No exponga nunca la batería a altos niveles de humedad (por ejemplo, sumergiéndola en agua o dejándola bajo la lluvia). Si penetra agua en la batería, trátela como una batería dañada. Aíslela en un recipiente no inflamable y póngase en contacto con el Servicio Técnico de **Hilti**.
- Mantenga la batería limpia de aceite o grasa. No permita la acumulación innecesaria de polvo o suciedad en la batería. Limpie la batería con un cepillo seco y suave o con un paño limpio y seco. No utilice productos de limpieza que contengan silicona, ya que podrían dañar las piezas de plástico. No toque los contactos de la batería y no elimine de los contactos la grasa aplicada de fábrica.
- Limpie la carcasa solo con un paño ligeramente humedecido. No utilice productos de limpieza que contengan silicona, ya que podrían dañar las piezas de plástico.

Mantenimiento

- Compruebe con regularidad que las piezas visibles no estén dañadas y los elementos de manejo funcionen correctamente.
- No utilice el producto si presenta daños o fallos que afecten al funcionamiento. Encargue inmediatamente la reparación del producto al Servicio Técnico de **Hilti**.



- Tras las tareas de cuidado y mantenimiento, coloque todos los dispositivos de protección y asegúrese de que funcionen correctamente.



Para garantizar un correcto funcionamiento, utilice exclusivamente piezas de repuesto y consumibles originales. Las piezas de repuesto, los consumibles y los accesorios autorizados por Hilti se pueden consultar en su **Hilti Store** o en: www.hilti.group

7.1 Limpieza del dispositivo de protección

1. Desmonte la hoja de sierra. → página 42
2. Limpie cuidadosamente los dispositivos de protección con un cepillo seco.
3. Elimine los sedimentos y virutas acumulados en el interior de los dispositivos de protección con la herramienta adecuada.
4. Coloque la hoja de sierra. → página 43

7.2 Limpieza del canal de virutas

1. Desmonte la hoja de sierra. → página 42
2. Limpie el canal de virutas con un cepillo.
3. Coloque la hoja de sierra. → página 43

7.3 Comprobación después de las tareas de cuidado y mantenimiento

Una vez realizadas las tareas de cuidado y mantenimiento, compruebe si están colocados todos los dispositivos de protección y si estos funcionan correctamente.

1. Para comprobar la caperuza protectora contra oscilaciones, ábrala por completo presionando la palanca de mando.
 - ▶ Al soltar la palanca de mando, la caperuza protectora contra oscilaciones debe cerrarse rápidamente y por completo.
2. Compruebe el funcionamiento de las partes móviles, por ejemplo, la función de sujeción y lijado.
3. Inspeccione el producto en busca de roturas u otros daños evidentes.

8 Transporte y almacenamiento de las baterías y sus herramientas

Transporte

PRECAUCIÓN

Arranque involuntario en el transporte !

- ▶ Transporte sus productos siempre sin batería.
- ▶ Extraiga la(s) batería(s).
- ▶ Nunca transporte las baterías sin embalaje. Durante el transporte, las baterías deben estar protegidas frente a vibraciones y golpes excesivos y aisladas de todo material conductor y de otras baterías para que no entren en contacto con los polos de otras baterías y causen un cortocircuito. **Tenga en cuenta las normativas locales sobre el transporte de baterías.**
- ▶ Las baterías no deben enviarse por correo. Diríjase a una empresa de transporte si quiere enviar baterías no dañadas.
- ▶ Compruebe si el producto o las baterías están dañados antes de cada uso y antes y después de un transporte prolongado.

Almacenamiento

ADVERTENCIA

Daños imprevistos debido a una batería defectuosa o agotada !

- ▶ Guarde su productos siempre sin batería.
- ▶ Guarde el producto y las baterías en un lugar fresco y seco. Tenga en cuenta los valores límite de temperatura que figuran en los datos técnicos.
- ▶ No almacene las baterías en el cargador. Extraiga siempre la batería del cargador después del proceso de carga.
- ▶ No guarde nunca las baterías en un lugar expuesto al sol, a fuentes de calor o detrás de un cristal.
- ▶ Guarde el producto y las baterías fuera del alcance de niños y personas no autorizadas.



- Compruebe si el producto o las baterías están dañados antes de cada uso y antes y después de un almacenamiento prolongado.

9 Ayuda en caso de avería

En caso de producirse una avería, compruebe el indicador de estado de la batería. Véase el capítulo **Mostrar la batería de Ion-Litio**.

Si se producen averías que no estén incluidas en esta tabla o que no pueda solucionar usted, diríjase al Servicio Técnico de **Hilti**.

Anomalía	Posible causa	Solución
Los LED de la batería no indican nada	La batería está defectuosa	► Póngase en contacto con el Servicio Técnico de Hilti .
El interruptor de conexión y desconexión no se puede pulsar o está bloqueado.	Ninguna avería (función de seguridad).	► Presione el bloqueo de conexión.
La velocidad descende de forma brusca.	La batería está descargada.	► Cargue la batería.
	La potencia de avance es demasiado elevada.	► Reduzca la potencia de avance y vuelva a conectar el producto.
Las virutas no se extraen y caen sobre la placa base	El canal de virutas está obstruido.	► Limpie el canal de virutas. → página 45
El producto no se pone en marcha automáticamente después del bloqueo de la hoja de sierra.	Se activa la protección contra sobrecarga.	► Vuelva a presionar el bloqueo de conexión y el interruptor de conexión y desconexión.
La batería no se enclava con un «clic» audible.	Suciedad en la lengüeta de la batería.	► Limpie la lengüeta y vuelva a colocar la batería.
El producto vibra más de lo habitual.	Hoja de sierra mal instalada.	► Desmonte la hoja de sierra y vuélvala a montar.

10 Reciclaje

ADVERTENCIA

Riesgo de lesiones por un reciclaje indebido. Riesgo para la salud debido a escapes de gases o líquidos.

- No envíe baterías dañadas bajo ningún concepto.
- Cubra las conexiones con un material no conductor para evitar cortocircuitos.
- Deshágase de las baterías de tal forma que no terminen en manos de niños.
- Elimine la batería en su **Hilti Store** o diríjase a su empresa de desechos.

Los productos **Hilti** están fabricados en su mayor parte con materiales reutilizables. La condición para dicha reutilización es una separación adecuada de los materiales. En muchos países, **Hilti** recoge las herramientas usadas para su recuperación. Pregunte al Servicio de Atención al Cliente de **Hilti** o a su asesor de ventas.



- No deseche las herramientas eléctricas, los aparatos eléctricos ni las baterías junto con los residuos domésticos.

11 Garantía del fabricante

- Si tiene alguna consulta acerca de las condiciones de la garantía, póngase en contacto con su sucursal local de **Hilti**.

12 Indicación FCC (válida en EE. UU.) / indicación IC (válida en Canada)

Esta herramienta esta sujeta al artículo 15 de las disposiciones FCC y al RSS-210 de la indicación IC. La puesta en servicio esta sujeta a las dos condiciones siguientes:

1. Esta herramienta no debe generar ninguna radiación nociva para la salud.



2. La herramienta debe absorber cualquier tipo de radiación, incluso las provocadas por operaciones no deseadas.

13 Más información

Encontrará información adicional sobre manejo, técnica, medio ambiente y reciclaje en el siguiente enlace: qr.hilti.com/manual?id=2276670

Encontrará este enlace también al final de la documentación como código QR.

Manual de instruções original

1 Indicações sobre a documentação

1.1 Sobre esta documentação

- Antes da colocação em funcionamento, leia esta documentação. Esta é a condição para um trabalho seguro e um manuseamento sem problemas.
- Tenha em atenção as instruções de segurança e as advertências nesta documentação e no produto.
- Guarde o manual de instruções sempre junto do produto e entregue-o a outras pessoas apenas juntamente com este manual.

1.2 Explicação dos símbolos

1.2.1 Advertências

As advertências alertam para perigos durante a utilização do produto. São utilizadas as seguintes palavras de aviso:

PERIGO

PERIGO !

- ▶ Indica perigo iminente que pode originar acidentes pessoais graves ou até mesmo fatais.

AVISO

AVISO !

- ▶ Indica um possível perigo que pode causar graves ferimentos pessoais, até mesmo fatais.







CUIDADO

CUIDADO !

- ▶ Indica uma situação potencialmente perigosa que pode originar ferimentos corporais ou danos materiais.

1.2.2 Símbolos no manual de instruções

Neste manual de instruções são utilizados os seguintes símbolos:

	Consultar o manual de instruções
	Instruções de utilização e outras informações úteis
	Manuseamento com materiais recicláveis
	Não deitar as ferramentas eléctricas e baterias no lixo doméstico
	Bateria de íões de lítio Hilti
	Carregador Hilti

1.2.3 Símbolos nas figuras

Em figuras são utilizados os seguintes símbolos:



2	Estes números remetem para a figura respectiva no início do presente manual de instruções.
3	A numeração reproduz uma sequência dos passos de trabalho na imagem e pode divergir dos passos de trabalho no texto.
11	Na figura Vista geral são utilizados números de posição que fazem referência aos números da legenda na secção Vista geral do produto .
	Este símbolo pretende despertar a sua atenção durante o manuseamento do produto.

1.3 Símbolos dependentes do produto

1.3.1 Símbolos

No produto, podem usar-se os seguintes símbolos:

n_0	Velocidade nominal de rotação sem carga
	Corrente contínua
	Seta indicadora do sentido de rotação
RPM	Rotações por minuto
\varnothing	Diâmetro
	Lâmina de serra
	O produto suporta a transmissão de dados sem fios, que é compatível com plataformas iOS e Android.
	Se existente no produto, isso significa que o produto foi certificado por este organismo de certificação para o mercado americano e canadiano de acordo com as normas em vigor.

1.3.2 Símbolos adicionais no caso de produtos a bateria

No produto são utilizados os seguintes símbolos:

	Série utilizada da bateria de iões de lítio HilTI . Tenha em atenção as indicações no capítulo Utilização conforme a finalidade projectada .
Li-Ion	Bateria de iões de lítio
	Nunca utilize a bateria como ferramenta de percussão.
	Não deixe cair a bateria. Não utilize baterias que tenham recebido uma pancada ou que estejam, de outra forma, danificadas.

1.3.3 Sinais de obrigação

No produto são utilizados os seguintes sinais de obrigação:

	Use óculos de protecção
--	-------------------------

1.4 Dados informativos sobre o produto

Os produtos **HILTI** destinam-se ao utilizador profissional e só podem ser operados, mantidos e reparados por pessoal autorizado, devidamente qualificado. Estas pessoas deverão estar informadas em particular sobre os potenciais perigos. O produto e seu equipamento auxiliar podem representar perigo se usados incorrectamente por pessoas não qualificadas ou se usados para fins diferentes daqueles para os quais foram concebidos.

A designação e o número de série são indicados na placa de características.



- ▶ Registe o número de série na tabela seguinte. Precisa dos dados do produto para colocar questões ao nosso representante ou posto de serviço de atendimento aos clientes.

Dados do produto

Serra circular	SC 5ML-22
Geração:	01
N.º de série:	

2 Segurança

2.1 Normas de segurança gerais para ferramentas eléctricas

⚠ AVISO Leia todas as normas de segurança, instruções, imagens e dados técnicos, com os quais esta ferramenta eléctrica está equipada. O não cumprimento das instruções a seguir pode resultar em choque eléctrico, incêndio e/ou ferimentos graves.

Guarde bem todas as normas de segurança e instruções para futura referência.

O termo "ferramenta eléctrica" utilizado nas normas de segurança refere-se a ferramentas com ligação à corrente eléctrica (com cabo de alimentação) ou a ferramentas a bateria (sem cabo).

Segurança no posto de trabalho

- ▶ **Mantenha a sua área de trabalho limpa e bem iluminada.** Locais desarrumados ou mal iluminados podem ocasionar acidentes.
- ▶ **Não utilize a ferramenta eléctrica em ambientes explosivos ou na proximidade de líquidos ou gases inflamáveis.** Ferramentas eléctricas produzem faíscas que podem provocar a ignição de pó e vapores.
- ▶ **Mantenha crianças e terceiros afastados durante os trabalhos.** Distacções podem conduzir à perda de controlo sobre a ferramenta.

Segurança eléctrica

- ▶ **A ficha da ferramenta eléctrica deve servir na tomada. A ficha não deve ser modificada de modo algum. Não utilize quaisquer adaptadores com ferramentas eléctricas com ligação terra.** Fichas originais (não modificadas) e tomadas adequadas reduzem o risco de choque eléctrico.
- ▶ **Evite o contacto do corpo com superfícies ligadas à terra, como, por exemplo, canos, radiadores, fogões e frigoríficos.** Existe um risco elevado de choque eléctrico se o corpo estiver com ligação à terra.
- ▶ **As ferramentas eléctricas não devem ser expostas à chuva nem à humidade.** A infiltração de água numa ferramenta eléctrica aumenta o risco de choque eléctrico.
- ▶ **Não use o cabo de ligação para transportar, pendurar ou desligar a ferramenta eléctrica da tomada. Mantenha o cabo de ligação afastado de calor, óleo, arestas vivas ou partes em movimento.** Cabos de ligação danificados ou emaranhados aumentam o risco de choque eléctrico.
- ▶ **Quando operar uma ferramenta eléctrica ao ar livre, utilize apenas cabos de extensão próprios para utilização no exterior.** A utilização de um cabo de extensão próprio para utilização no exterior reduz o risco de choques eléctricos.
- ▶ **Utilize um disjuntor diferencial se não puder ser evitada a utilização da ferramenta eléctrica em ambiente húmido.** A utilização de um disjuntor diferencial reduz o risco de choque eléctrico.

Segurança física

- ▶ **Esteja alerta, observe o que está a fazer, e tenha prudência ao trabalhar com uma ferramenta eléctrica. Se estiver cansado ou sob influência de drogas, álcool ou medicamentos não efectue nenhum trabalho com ferramentas eléctricas.** Um momento de distração ao operar a ferramenta eléctrica pode causar ferimentos graves.
- ▶ **Use equipamento de segurança. Use sempre óculos de protecção.** Equipamento de segurança, como, por exemplo, máscara antipoeiras, sapatos de segurança antiderrapantes, capacete de segurança ou protecção auricular, de acordo com o tipo e aplicação da ferramenta eléctrica, reduzem o risco de lesões.
- ▶ **Evite um arranque involuntário. Assegure-se de que a ferramenta eléctrica está desligada antes de a ligar à fonte de alimentação e/ou à bateria, pegar nela ou a transportar.** Transportar a ferramenta eléctrica com o dedo no interruptor ou ligar uma ferramenta à tomada com o interruptor ligado (ON) pode resultar em acidentes.
- ▶ **Remova quaisquer chaves de ajuste (chaves de fenda), antes de ligar a ferramenta eléctrica.** Um acessório ou chave deixado preso numa parte rotativa da ferramenta pode causar ferimentos.



- ▶ **Evite posturas corporais desfavoráveis. Mantenha sempre uma posição correcta, em perfeito equilíbrio.** Desta forma será mais fácil manter o controlo sobre a ferramenta eléctrica em situações inesperadas.
- ▶ **Use roupa apropriada. Não use roupa larga ou jóias. Mantenha o cabelo, vestuário e luvas afastados das peças móveis.** Roupas largas, jóias ou cabelos compridos podem ficar presos nas peças móveis.
- ▶ **Se poderem ser montados sistemas de remoção e de recolha de pó, assegure-se de que estes estão ligados e são utilizados correctamente.** A utilização de um sistema de remoção de pó pode reduzir os perigos relacionados com a exposição ao mesmo.
- ▶ **Não se acomode numa falsa sensação de segurança e não ignore os regulamentos de segurança para ferramentas eléctricas, mesmo se estiver familiarizado com a ferramenta eléctrica após numerosas utilizações.** Agir de forma descuidada pode causar ferimentos graves dentro duma fracção de segundo.

Utilização e manuseamento da ferramenta eléctrica

- ▶ **Não sobrecarregue a ferramenta. Use para o seu trabalho a ferramenta eléctrica correcta.** Com a ferramenta eléctrica adequada obterá maior eficiência e segurança se respeitar os seus limites.
- ▶ **Não utilize a ferramenta eléctrica se o interruptor estiver defeituoso.** Uma ferramenta eléctrica que já não possa ser accionada pelo interruptor é perigosa e deve ser reparada.
- ▶ **Retire a ficha da tomada e/ou remova uma bateria amovível antes de efectuar ajustes na ferramenta, substituir acessórios ou guardar a ferramenta.** Esta medida preventiva evita o accionamento acidental da ferramenta eléctrica.
- ▶ **Guarde ferramentas eléctricas não utilizadas fora do alcance das crianças. Não permita que a ferramenta seja utilizada por pessoas não familiarizadas com a mesma ou que não tenham lido estas instruções.** Ferramentas eléctricas operadas por pessoas não treinadas são perigosas.
- ▶ **Faça uma manutenção regular de ferramentas eléctricas e acessórios. Verifique se as partes móveis funcionam perfeitamente e não emperram ou se há peças quebradas ou danificadas que possam influenciar o funcionamento da ferramenta eléctrica. Peças danificadas devem ser reparadas antes da utilização da ferramenta.** Muitos acidentes são causados por ferramentas eléctricas com manutenção deficiente.
- ▶ **Mantenha as ferramentas de corte sempre afiadas e limpas.** Acessórios com gumes afiados tratados correctamente emperram menos e são mais fáceis de controlar.
- ▶ **Utilize a ferramenta eléctrica, acessórios, bits, etc., de acordo com estas instruções. Tome também em consideração as condições de trabalho e o trabalho a ser efectuado.** A utilização da ferramenta eléctrica para outros fins além dos previstos, pode ocasionar situações de perigo.
- ▶ **Mantenha punhos e respectivas superfícies secos, limpos e isentos de óleo e gordura.** Punhos e superfícies afins escorregadios não permitem um manuseamento e controlo seguro da ferramenta eléctrica em situações imprevistas.

Utilização e manuseamento da ferramenta a bateria

- ▶ **Apenas deverá carregar as baterias em carregadores recomendados pelo fabricante.** Num carregador adequado para um determinado tipo de baterias existe perigo de incêndio se for utilizado para outras baterias.
- ▶ **Nas ferramentas eléctricas utilize apenas as baterias previstas.** A utilização de outras baterias pode causar ferimentos e riscos de incêndio.
- ▶ **Quando a bateria não estiver em uso, mantenha-a afastada de outros objectos de metal, como, por exemplo, cliques, moedas, chaves, pregos, parafusos, ou outros pequenos objectos metálicos que possam ligar em ponte os contactos.** Um curto-circuito entre os contactos da bateria pode causar queimaduras ou incêndio.
- ▶ **Utilizações inadequadas podem provocar derrame do líquido da bateria. Evite o contacto com este líquido. No caso de contacto acidental, enxágue imediatamente com água. Se o líquido entrar em contacto com os olhos, procure auxílio médico.** O líquido que escorre da bateria pode provocar irritações ou queimaduras da pele.
- ▶ **Não utilize uma bateria danificada ou modificada.** Baterias danificadas ou modificadas podem ter um comportamento imprevisível e causar fogo, explosão ou risco de ferimentos.
- ▶ **Não exponha uma bateria ao fogo ou a temperaturas excessivas.** Fogo e temperaturas superiores a 130 °C (265 °F) podem provocar uma explosão.
- ▶ **Cumpra todas as instruções sobre o carregamento e nunca carregue a bateria ou a ferramenta a bateria fora da faixa de temperaturas indicada no manual de instruções.** O carregamento errado ou fora da faixa de temperaturas permitida pode destruir a bateria e aumentar o risco de incêndio.



Manutenção

- ▶ **A sua ferramenta eléctrica só deve ser reparada por pessoal qualificado e só devem ser utilizadas peças sobressalentes originais.** Isto assegurará que a segurança da ferramenta se mantenha.
- ▶ **Nunca faça a manutenção de baterias danificadas.** Qualquer manutenção de baterias só deverá ser realizada pelo fabricante ou serviços de assistência técnica autorizados.

2.2 Normas de segurança para todas as serras

Processo de corte

- ▶ **⚠ PERIGO: Não introduza as mãos na zona de corte nem toque na própria lâmina de serra. Segure o punho adicional ou a carcaça do motor com a outra mão.** Se ambas as mãos segurarem a serra, estas não poderão ser feridas pela lâmina.
- ▶ **Não introduza a mão por baixo da peça a cortar.** O resguardo de disco não poderá protegê-lo da lâmina de serra neste sítio.
- ▶ **Adapte a profundidade de corte à espessura da peça a cortar.** Menos de uma altura total de um dente do dentado da lâmina deveria desaparecer abaixo da peça a cortar.
- ▶ **Nunca segure a peça a cortar com as mãos ou sobre as pernas. Fixe-a a um suporte estável.** É importante fixar a peça a cortar firmemente, a fim de minimizar as possibilidades de haver contacto com o corpo, de a lâmina de serra emperrar ou de se perder o controlo.
- ▶ **Pegue na ferramenta eléctrica apenas pelas áreas isoladas dos punhos quando executar trabalhos onde a lâmina pode encontrar cabos eléctricos encobertos.** O contacto com um cabo sob tensão também coloca as partes metálicas da ferramenta eléctrica sob tensão e conduz a um choque eléctrico.
- ▶ **Utilize sempre um encosto ou uma guia recta quando efectuar cortes longitudinais.** Isto melhora a qualidade do corte e reduz a possibilidade de a lâmina de serra bloquear.
- ▶ **Utilize sempre lâminas de serra de tamanho correcto e com um orifício de montagem adequado (por ex., em forma de estrela ou circular).** Lâminas de serra que não combinam com as peças de montagem, apresentam excentricidade e conduzem à perda de controlo.
- ▶ **Nunca utilize anilhas adicionais ou parafusos para a lâmina de serra que estejam danificados ou não sejam adequados.** As anilhas adicionais e os parafusos para a lâmina de serra foram especificamente fabricados para esta serra, a fim de se obter um rendimento e uma segurança de funcionamento óptimos.

Coice - causas e respectivas normas de segurança

- um coice é a reacção repentina de uma lâmina de serra que prende, bloqueia ou está mal alinhada. Isto faz com que uma serra descontrolada ressalte e saia da peça a cortar e se mova na direcção do operador;
- a lâmina de serra bloqueia quando esta engata ou fica presa na ranhura de corte que se vai fechando. A força do motor impulsiona então a serra na direcção do operador;
- quando se desalinha ou se orienta incorrectamente a lâmina de serra na ranhura de corte, os dentes do rebordo posterior da mesma podem engatar-se na superfície da peça a cortar, o que provoca um movimento de saída da lâmina de serra da ranhura de corte e a ferramenta ressalta na direcção do operador.

Um coice é a consequência de uma utilização incorrecta ou deficiente da serra. Este pode ser evitado através de precauções adequadas, como descrito a seguir.

- ▶ **Segure a serra com ambas as mãos, colocando os braços numa posição em que poderá absorver as forças do coice. Coloque-se sempre ao lado da lâmina de serra, tentando que a lâmina de serra e o próprio corpo nunca se encontrem na mesma linha.** No caso de um coice, a serra circular pode saltar para trás. Porém, o operador da serra pode dominar as forças do coice através de precauções adequadas.
- ▶ **Caso interrompa o trabalho ou a lâmina de serra encrave, desligue a serra e segure-a com calma dentro do material, até a lâmina de serra ficar imobilizada. Nunca tente retirar a lâmina de serra da peça a cortar, ou de retroceder com a serra, enquanto a mesma está em movimento; caso contrário, pode ocorrer um coice.** Determine e corrija a causa de a lâmina de serra encravar.
- ▶ **Se pretender fazer arrancar uma serra dentro do material, centre a lâmina na ranhura de corte e verifique se os dentes não estão encravados na peça a cortar.** Se a lâmina de serra estiver bloqueada, esta pode escapar do material, ou produzir um contragolpe ao voltar a ligar-se a serra.
- ▶ **Escore placas grandes, a fim de diminuir o perigo de um coice devido a um disco de corte bloqueado.** Placas grandes podem flectir sob o seu próprio peso. Placas têm de ser escoradas de ambos os lados, tanto na proximidade da ranhura de corte como também na borda.
- ▶ **Não utilize lâminas de serra embotadas ou danificadas.** Lâminas de serra com dentes embotados ou mal alinhados produzem uma fricção maior, aumentando o perigo de bloqueios e coices.



- ▶ **Ajuste as regulações da profundidade e do ângulo de corte antes de começar com o corte.** Se as regulações se modificam durante o corte, a lâmina de serra pode bloquear-se, produzindo um coice.
- ▶ **Tenha particular atenção ao cortar em paredes existentes ou noutras áreas não inspeccionáveis.** Durante a imersão, a lâmina de serra pode ficar bloqueada em objectos encobertos, causando um coice.

Função do resguardo inferior

- ▶ **Antes de cada utilização, verifique se o resguardo de disco inferior fecha correctamente. Não utilize a serra, se o resguardo de disco inferior não se mover com facilidade e não se fechar imediatamente. Nunca trave ou prenda o resguardo de disco inferior em posição aberta.** Se a serra cair involuntariamente ao solo, o resguardo de disco inferior pode dobrar-se. Abra o resguardo de disco através da alavanca de tracção e assegure-se de que se move com liberdade, sem tocar nem na lâmina de serra nem noutras partes em todos os ângulos e profundidades de corte.
- ▶ **Comprove a função da mola para o resguardo de disco inferior. Mandê efectuar uma manutenção antes de utilizar a serra se o resguardo de disco inferior ou a respectiva mola não funcionarem correctamente.** Partes danificadas, depósitos pegajosos ou acumulações de aparas fazem com que o resguardo de disco inferior apresente um funcionamento retardado.
- ▶ **Abra o resguardo de disco inferior à mão unicamente em caso de cortes especiais, como "cortes de imersão ou em ângulo". Abra o resguardo de disco inferior através da alavanca de tracção, soltando-a logo que a lâmina de serra mergulhar na peça a cortar.** Em todos os outros trabalhos de corte, o resguardo de disco inferior deve trabalhar automaticamente.
- ▶ **Não pouse a serra sobre a bancada de trabalho ou o solo, sem que o resguardo de disco inferior cubra a lâmina de serra.** Uma lâmina de serra sem protecção e em marcha inercial move a serra no sentido contrário ao de corte e corta o que encontrar no caminho. Tenha em conta o tempo de marcha inercial da serra.

Função do resguardo

- ▶ **Antes de cada utilização, verifique se o resguardo de disco fecha correctamente. Não utilize a serra, se o resguardo de disco não se mover com facilidade e não se fechar imediatamente. Nunca trave ou prenda o resguardo de disco; dessa forma o disco de corte ficaria desprotegido.** Se a serra cair involuntariamente ao solo, o resguardo de disco pode dobrar-se. Assegure-se de que o resguardo de disco se move com liberdade, sem tocar nem na lâmina de serra nem noutras partes em todos os ângulos e profundidades de corte.
- ▶ **Comprove o estado e a função da mola para o resguardo de disco. Mandê efectuar uma manutenção antes de utilizar a serra se o resguardo de disco ou a respectiva mola não funcionarem correctamente.** Partes danificadas, depósitos pegajosos ou acumulações de aparas fazem com que o resguardo de disco inferior apresente um funcionamento retardado.
- ▶ **Ao efectuar "cortes de imersão" que não sejam em ângulo recto, fixe a placa base da serra para não deslizar lateralmente.** Um deslizamento lateral pode originar o bloqueio da lâmina de serra e levar, desse modo, ao coice.
- ▶ **Não pouse a serra sobre a bancada de trabalho ou o solo, sem que o resguardo de disco cubra a lâmina de serra.** Uma lâmina de serra sem protecção e em marcha inercial move a serra no sentido contrário ao de corte e corta o que encontrar no caminho. Tenha em conta o tempo de marcha inercial da serra.

2.3 Normas de segurança adicionais

Segurança física

- ▶ Nunca efectue quaisquer manipulações ou modificações no produto ou nos acessórios.
- ▶ Utilize a ferramenta eléctrica somente com os respectivos dispositivos de segurança.
- ▶ Se utilizar a ferramenta eléctrica sem sistema de aspiração de pó ao realizar trabalhos poeirentos, use sempre uma máscara de protecção respiratória.
- ▶ Segure sempre a ferramenta eléctrica com ambas as mãos nos punhos previstos para o efeito.
- ▶ Use protecção auricular. Ruído em excesso pode levar à perda de audição.
- ▶ Faça pausas durante o trabalho. Aproveite para relaxar os músculos e melhorar a circulação sanguínea nos dedos.
- ▶ A ferramenta eléctrica não foi concebida para pessoas debilitadas, sem formação.
- ▶ Ligue a ferramenta eléctrica apenas no local de trabalho e depois de a colocar na posição de trabalho.
- ▶ Remova a bateria se ocorrerem problemas com a ferramenta eléctrica, ao trocar acessórios e quando guardar ou transportar a ferramenta eléctrica.
- ▶ Não utilize a ferramenta eléctrica em posição invertida.
- ▶ Não trave a ferramenta eléctrica exercendo pressão lateral contra a lâmina de serra.



- ▶ Antes de montar a bateria, certifique-se de que a serra está desligada e o dispositivo de bloqueio está activado. Desta forma, evita ferimentos devido ao arranque involuntário da ferramenta eléctrica.
- ▶ Não toque na flange nem no parafuso de aperto com a ferramenta eléctrica a trabalhar.
- ▶ Antes de pousar a ferramenta eléctrica, aguarde até que ela esteja totalmente parada.
- ▶ Antes de substituir o acessório, aguarde até que a ferramenta eléctrica tenha arrefecido.
- ▶ Nunca pressione o botão de pressão para bloqueio do veio quando a lâmina de serra está a girar.
- ▶ Não aponte a ferramenta eléctrica para pessoas.
- ▶ O dispositivo de bloqueio tem de estar sempre activo ao trocar acessórios ou baterias, durante o transporte ou se pretender armazenar a ferramenta eléctrica.
- ▶ Utilize sempre uma lâmina de serra adequada ao material e qualidade da peça a trabalhar.
- ▶ Adapte a força de avanço à lâmina de serra e ao material trabalhado. Deste modo, evita que a lâmina de serra bloqueie e, eventualmente, provoque um coice.
- ▶ Aparas de metal são afiadas e podem provocar ferimentos. Mantenha o seu vestuário fechado para que as aparas não se acumulem nas suas luvas, calçado ou noutras partes do vestuário.
- ▶ Preste atenção para onde as aparas de metal são projectadas. As aparas estão quentes e podem causar incêndio, queimaduras e cortes.
- ▶ Evite o sobreaquecimento das pontas dos dentes da serra.
- ▶ A velocidade permitida do acessório deve estar dimensionada para, no mínimo, a velocidade máxima que consta na ferramenta eléctrica. Acessórios que rodam a uma velocidade superior à permitida podem fragmentar-se e ser projectados.
- ▶ Não trabalhe num ambiente sobrecarregado de pó.
- ▶ Pó produzido ao rectificar, lixar, cortar e furar pode conter produtos químicos perigosos. Alguns exemplos são: Chumbo ou tintas à base de chumbo; Tijolo, betão e outros produtos de alvenaria, pedra natural e outros produtos que contenham silicatos; Determinadas madeiras, como carvalho, faia e madeira tratada quimicamente; Amianto ou materiais contendo amianto. Determine a exposição do operador e das pessoas que se encontrem nas proximidades através da classe de perigo dos materiais a serem trabalhados. Tome as medidas necessárias para manter a exposição a um nível seguro como, por ex., a utilização de um sistema colector de pó ou o uso de uma protecção respiratória adequada. As medidas gerais para redução da exposição incluem:
 - ▶ Trabalhar num local bem ventilado,
 - ▶ Evitar o contacto prolongado com pó,
 - ▶ Afastar o pó do rosto e do corpo,
 - ▶ Usar roupa de protecção e lavar áreas expostas com água e sabão.
- ▶ Use sempre uma máscara de protecção respiratória correspondente aos requisitos da aplicação.
- ▶ Antes de iniciar os trabalhos, apure a classe de perigo do pó gerado. Utilize um aspirador industrial com protecção aprovada e que esteja de acordo com as regulamentações locais sobre emissão de poeiras nocivas para o ambiente.
- ▶ Respeite os requisitos nacionais de segurança no trabalho.
- ▶ Utilize grampos ou uma outra forma prática, para proteger a peça a trabalhar e a manter numa posição estável. Segurar a peça a trabalhar com a mão ou com o corpo é instável e pode levar à perda do controlo. Não permita que terceiros mantenham a peça em posição.
- ▶ Não olhe directamente para a luz de trabalho (LED) nem aponte a luz para o rosto de outras pessoas.
- ▶ Risco de ferimentos devido a queda de ferramentas e/ou acessórios. Antes de iniciar os trabalhos, verifique se os acessórios montados estão realmente fixos.
- ▶ Conduza a serra circular manual contra a peça a cortar apenas quando ligada.
- ▶ Utilize apenas lâminas de serra recomendadas pela Hilti, que correspondam à norma EN 847-1.

Segurança eléctrica

- ▶ Antes de iniciar os trabalhos, verifique o local de trabalho relativamente a cabos eléctricos encobertos, bem como tubos de gás e água, p. ex., com um detector. Partes metálicas externas da ferramenta eléctrica podem transformar-se em condutores de corrente se, p. ex., uma linha eléctrica for danificada inadvertidamente. Daqui resulta um maior perigo de choque eléctrico.

2.4 Utilização e manutenção de baterias

- ▶ **Tenha em atenção as seguintes normas de segurança para um manuseamento e utilização seguros de baterias de íões de lítio.** A inobservância pode causar irritações da pele, ferimentos corrosivos graves, queimaduras químicas, fogo e/ou explosões.
- ▶ Utilize baterias somente se estiverem em perfeitas condições técnicas.



- ▶ Manuseie cuidadosamente as baterias a fim de evitar danos e impedir a fuga de líquidos extremamente nocivos!
- ▶ As baterias não devem, em caso algum, ser modificadas ou manipuladas!
- ▶ As baterias não devem ser desmanteladas, esmagadas, aquecidas acima dos 80 °C (176 °F) ou incineradas.
- ▶ Não utilize ou carregue baterias que tenham recebido uma pancada ou que estejam, de outra forma, danificadas. Verifique regularmente se as suas baterias apresentam indícios de danos.
- ▶ Nunca utilize baterias recicladas ou reparadas.
- ▶ Nunca utilize a bateria ou uma ferramenta eléctrica a bateria como ferramenta de percussão.
- ▶ Nunca expor as baterias à radiação solar directa, temperaturas elevadas, faíscas ou chamas abertas. Isso pode dar origem a explosões.
- ▶ Não toque nos pólos da bateria com os dedos, ferramentas, jóias ou outros objectos condutores da electricidade. Isto pode danificar a bateria e causar danos materiais e ferimentos.
- ▶ Mantenha as baterias afastadas da chuva, humidade e líquidos. A entrada de humidade pode causar curto-circuitos, choques eléctricos, queimaduras, incêndio e explosões.
- ▶ Utilize apenas carregadores e ferramentas eléctricas previstos para este tipo de bateria. Para isso, tenha em atenção as indicações nos respectivos manuais de instruções.
- ▶ Nunca utilize nem guarde a bateria em ambientes potencialmente explosivos.
- ▶ Se a bateria estiver demasiado quente ao toque, poderá estar com defeito. Coloque a bateria num local com boa visibilidade que não constitua risco de incêndio, suficientemente afastado de materiais inflamáveis. Deixe a bateria arrefecer. Se, passado uma hora, a bateria ainda estiver demasiado quente ao toque, então está com defeito. Contacte o Centro de Assistência Técnica **Hilti** ou leia a documento "Indicações relativas à segurança e utilização de baterias de iões de lítio **Hilti**".



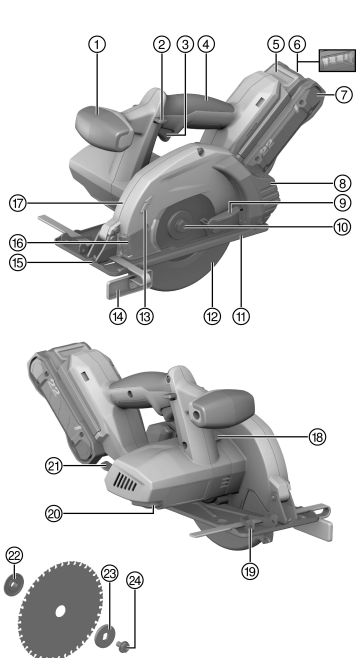
Observe as regras específicas aplicáveis ao transporte, à armazenagem e à utilização de baterias de iões de lítio. → Página 61

Leia as indicações relativas à segurança e utilização de baterias de iões de lítio **Hilti** que encontra efectuando a leitura do código QR na parte final deste manual de instruções.



3 Descrição

3.1 Vista geral do produto



- ① Punho adicional
- ② Dispositivo de aperto
- ③ Interruptor on/off
- ④ Punho
- ⑤ Botão de destravamento da bateria
- ⑥ Indicação de estado da bateria
- ⑦ Bateria
- ⑧ Colector de aparas
- ⑨ Alavanca de comando para resguardo de disco pendular
- ⑩ Veio
- ⑪ Placa base
- ⑫ Resguardo de disco pendular
- ⑬ Seta indicadora do sentido de rotação
- ⑭ Encosto paralelo
- ⑮ Indicador de traçado/Controlo da linha de corte
- ⑯ LED/janela de observação
- ⑰ Cobertura de protecção
- ⑱ Bloqueio do veio
- ⑲ Dispositivo de aperto para encosto paralelo
- ⑳ Chave para sextavado interior
- ㉑ Alavanca de aperto para regulação da profundidade de corte
- ㉒ Flange de montagem
- ㉓ Flange de aperto
- ㉔ Parafuso de aperto

3.2 Utilização conforme a finalidade projectada

O produto descrito é uma serra circular a bateria. Destina-se a trabalhos de corte em metal ou derivados de metal.

Utilize apenas lâminas de serra aprovadas para o produto, que correspondam às indicações nas características técnicas (p. ex., diâmetro, velocidade de rotação, espessura, material, etc...). Não são permitidos discos de corte/rebarbar e lâminas de serra em aço para corte rápido de alta liga (aço HSS). Não utilize estas ferramentas para cortar madeira ou derivados de madeira, plásticos, gesso cartonado, placas de fibrogesso e materiais compostos.

- Para este produto, utilize apenas baterias de íões de lítio **Hilti** Nuron da série B 22. A **Hilti** recomenda que se utilizem as baterias indicadas na tabela no fim deste manual de instruções.
- Para estas baterias utilize apenas carregadores **Hilti** das séries indicadas no fim deste manual de instruções.

3.3 Incluído no fornecimento

Serra circular, lâmina de serra, chave para sextavado interior, encosto paralelo, colector de aparas, manual de instruções.

Poderá encontrar outros produtos de sistema aprovados para o seu produto na sua **Hilti Store** ou em: www.hilti.group

3.4 Acessórios

Flange de aperto, flange de montagem, parafuso de aperto



3.5 Indicações da bateria de iões de lítio

As baterias de iões de lítio **Hilti** Nuron podem apresentar o estado de carga, mensagens de erro e o estado da bateria.

3.5.1 Indicações relativas ao estado de carga e mensagens de erro



AVISO

Risco de ferimentos devido à queda da bateria!

- ▶ Com a bateria encaixada, depois de pressionar o botão de destravamento, certifique-se de que volta a encaixar a bateria correctamente no produto utilizado.

Para obter uma das seguintes indicações, pressione brevemente o botão de destravamento da bateria. O estado de carga, assim como, possíveis avarias são apresentados de forma permanente, enquanto o produto conectado estiver ligado.

Estado	Significado
Quatro (4) LEDs estão sempre acesos a verde	Estado de carga: 100% a 71%
Três (3) LEDs estão sempre acesos a verde	Estado de carga: 70% a 51%
Dois (2) LEDs estão sempre acesos a verde	Estado de carga: 50% a 26%
Um (1) LED está sempre aceso a verde	Estado de carga: 25% a 10%
Um (1) LED pisca lentamente a verde	Estado de carga: < 10%
Um (1) LED pisca rapidamente a verde	A bateria de iões de lítio está completamente descarregada. Carregue a bateria. Se o LED ainda estiver a piscar rapidamente depois de carregar a bateria, contacte o Centro de Assistência Técnica Hilti .
Um (1) LED pisca rapidamente a amarelo	A bateria de iões de lítio ou o produto associado estão sobrecarregados, demasiado quentes, demasiado frios ou existe alguma outra falha. O produto e a bateria devem ser utilizados à temperatura de trabalho recomendada e o produto não deve ser sobrecarregado quando está a ser utilizado. Se a mensagem persistir, contacte o Centro de Assistência Técnica Hilti .
Um (1) LED acende-se a amarelo	A bateria de iões de lítio e o produto a ela ligado não são compatíveis. Contacte a Assistência Técnica Hilti .
Um (1) LED pisca rapidamente a vermelho	A bateria de iões de lítio está bloqueada e não pode continuar a ser utilizada. Contacte a Assistência Técnica Hilti .

3.5.2 Indicações relativas ao estado da bateria

Para consultar o estado da bateria, mantenha o botão de destravamento pressionado por mais de três segundos. O sistema não detecta potenciais anomalias da bateria devido a utilização inadequada como, por ex., quedas, perfurações, danos externos provocados pelo calor, etc.

Estado	Significado
Todos os LEDs acendem como luz de perseguição e, em seguida, um (1) LED está sempre aceso a verde.	A bateria pode continuar a ser utilizada.
Todos os LEDs acendem como luz de perseguição e, em seguida, um (1) LED pisca rapidamente a amarelo.	Não foi possível concluir a consulta sobre o estado da bateria. Repita o procedimento ou contacte o Centro de Assistência Técnica Hilti .



Estado	Significado
Todos os LEDs acendem como luz de perseguição e, em seguida, um (1) LED está sempre aceso a vermelho.	Se um produto conectado ainda puder ser utilizado, a capacidade restante da bateria é inferior a 50%. Se um produto conectado já não puder ser utilizado, a bateria está no fim da sua vida útil e deve ser substituída. Contacte a Assistência Técnica Hilti .

3.6 Encosto paralelo

O encosto paralelo de um braço permite executar cortes precisos ao longo de uma aresta da peça a cortar ou o corte de régua com as mesmas dimensões.

O encosto paralelo pode ser montado de ambos os lados da placa base.

4 Características técnicas

4.1 Características do produto

Tensão nominal	21,6 V
Peso sem bateria	3,0 kg (6,6 lb)
Espessura de raiz da lâmina	1,2 mm (0,05 in)
Largura de corte	1,6 mm (0,06 in)
Orifício de montagem da lâmina de serra	15,8 mm (0,62 in)
Velocidade nominal de rotação sem carga	3 500 rpm
Profundidade de corte máxima	57 mm (2,2 in)
Temperatura de armazenagem	-20 °C ... 70 °C (-4 °F ... 158 °F)
Temperatura ambiente durante o funcionamento	-17 °C ... 60 °C (1 °F ... 140 °F)

4.2 Bateria

Tensão de serviço da bateria	21,6 V
Peso da bateria	Consultar o fim deste manual de instruções
Temperatura ambiente durante o funcionamento	-17 °C ... 60 °C (1 °F ... 140 °F)
Temperatura de armazenagem	-20 °C ... 40 °C (-4 °F ... 104 °F)
Temperatura da bateria no início do carregamento	-10 °C ... 45 °C (14 °F ... 113 °F)

5 Preparação do local de trabalho

AVISO

Risco de ferimentos devido a arranque involuntário!

- ▶ Antes de encaixar a bateria, certifique-se de que o produto correspondente está desligado.
- ▶ Remova a bateria, antes de efectuar ajustes na ferramenta ou substituir acessórios.



Tenha em atenção as instruções de segurança e as advertências nesta documentação e no produto.

5.1 Carregar a bateria

1. Antes de carregar, leia o manual de instruções do carregador.
2. Certifique-se de que os contactos da bateria e do carregador estão limpos e secos.
3. Carregue a bateria num carregador aprovado. → Página 55

5.2 Colocar a bateria

AVISO

Risco de ferimentos devido a curto-circuito ou queda da bateria!

- ▶ Antes de encaixar a bateria, certifique-se de que os contactos da bateria e os contactos no produto estão livres de corpos estranhos.
 - ▶ Certifique-se de que a bateria engata sempre correctamente.
-
1. A bateria deve ser completamente carregada antes da primeira utilização.
 2. Introduza a bateria no produto até engatar de forma audível.
 3. Verifique se a bateria está correctamente encaixada.

5.3 Retirar a bateria

1. Pressione o botão de destravamento da bateria.
2. Puxe a bateria para fora do produto.

5.4 Protecção anti-queda

AVISO

Risco de ferimentos devido a queda de ferramentas e/ou acessórios!


- ▶ Utilize apenas o cabo de segurança para ferramentas **Hilti** recomendado para o seu produto.
 - ▶ Antes de cada utilização, verifique o ponto de fixação do cabo de segurança para ferramentas quanto a possíveis danos.
-

 Observe as directivas nacionais para trabalhos em altura.

Utilize exclusivamente o cabo de segurança para ferramentas **Hilti** #2261971 como protecção anti-queda para este produto.

- ▶ Fixe o cabo de segurança para ferramentas ao produto com o laço como ilustrado na imagem. Verifique se está bem apertado.
- ▶ Fixe o mosquetão a uma estrutura de suporte. Verifique se o mosquetão está bem apertado.



 Observe o manual de instruções do cabo de segurança para ferramentas **Hilti**.

5.5 Desmontar a lâmina de serra

AVISO

Risco de queimaduras e corte na lâmina de serra, parafuso e flange de aperto As consequências podem ser queimaduras e cortes.

- ▶ Use luvas de protecção para a troca do acessório.
-
1. Pressione e mantenha pressionado o bloqueio do veio.
 2. Solte o parafuso de aperto com a chave para sextavado interior.
 3. Retire o parafuso e a flange de aperto.



- Abra o resguardo inferior e retire a lâmina de serra.



Em caso de necessidade, a flange de montagem pode ser retirada para ser limpa.

5.6 Montar a lâmina de serra 3



Assegure-se de que a lâmina de serra a fixar corresponde aos requisitos técnicos e que está afiada. Uma lâmina de serra afiada é condição essencial para uma ranhura de corte perfeita.

- Limpe as flanges de montagem e de aperto.
- Encaixe a flange de montagem com a orientação correcta no veio de accionamento.
- Abra o resguardo inferior.
- Coloque a lâmina de serra nova.



Respeite o sentido de rotação indicado pelas setas na lâmina de serra e no produto. Ambas têm de coincidir.

- Encaixe a flange de aperto exterior na orientação correcta.
- Enrosque o parafuso de aperto.
- Aplique a chave para sextavado interior no parafuso de aperto para a lâmina de serra.
- Pressione e mantenha pressionado o bloqueio do veio.
- Com a chave para sextavado interior, aperte o parafuso de aperto.
- Verifique o posicionamento correcto da lâmina de serra.
- Insira a chave para sextavado interior no orifício previsto para o efeito.

5.7 Ajustar a profundidade de corte 4

- Solte a alavanca de aperto da regulação da profundidade de corte.
- Levante o produto num movimento tipo tesoura e ajuste a profundidade de corte.
- Aperte bem a alavanca de aperto da regulação da profundidade de corte.

5.8 Montar o encosto paralelo 5

- Pressione e mantenha os grampos juntos.
- Insira o encosto paralelo na placa base.
 - Pode regular a largura de corte de acordo com a sua aplicação.
- Solte os grampos.

5.9 Montar o adaptador para trilho-guia 6



O adaptador para trilho-guia está disponível como acessório.

- Se necessário, desmonte o encosto paralelo.
- Enganche a placa base nas nervuras de retenção traseiras do adaptador para trilho-guia.
- Coloque a placa base no adaptador para trilho-guia.
 - A placa base fica encostada ao adaptador para trilho-guia.
- Feche o adaptador para trilho-guia, pressionando ambas as corrediças até ao encosto.

5.10 Esvaziar o colector de aparas 7



AVISO

Risco de ferimentos Perigo devido aparas quentes ou afiadas.

- Use luvas de protecção ao esvaziar o colector de aparas.

- Extraia o colector de aparas para trás.
- Abra as duas metades do colector de aparas e esvazie-o.
- Deslize o colector de aparas sobre o resguardo até engatar.



6 Utilização

Tenha em atenção as instruções de segurança e as advertências nesta documentação e no produto.

6.1 Ligar ou desligar

Ligar

1. Pressione e mantenha pressionado o dispositivo de bloqueio e accione o interruptor on/off.
 - ▶ Pode soltar o dispositivo de bloqueio assim que tenha o interruptor on/off premido.

Desligar

2. Largue o interruptor on/off.
 - ▶ O dispositivo de bloqueio salta automaticamente para a posição de travamento.

6.2 Serrar pelo traçado



Serre apenas peças planas, que ofereçam uma superfície de apoio suficientemente grande para a placa base.

1. Posicione a peça a trabalhar de modo a que a lâmina de serra possa funcionar livremente por baixo da peça.
2. Fixe a peça a cortar para que não deslize.
3. Coloque o produto sobre a peça a cortar com o rebordo anterior da placa base.
 - ▶ A lâmina de serra não tem qualquer contacto com a peça a trabalhar.
4. Ligue o produto. → Página 60
5. Conduza a serra ao longo do traçado na peça a trabalhar, com uma velocidade de trabalho adequada.

7 Conservação e manutenção



AVISO

Risco de lesão com a bateria encaixada !

- ▶ Retire sempre a bateria antes de todos os trabalhos de conservação e manutenção!

Conservação do produto

- Remova sujidade persistente com cuidado.
- Se existente, limpe as saídas de ar cuidadosamente com uma escova seca e macia.
- Limpe a carcaça apenas com um pano ligeiramente húmido. Não utilize produtos de conservação que contenham silicone, uma vez que estes podem danificar os componentes de plástico.
- Utilize um pano limpo e seco, para limpar os contactos do produto.

Conservação das baterias de iões de lítio

- Nunca utilize uma bateria com as saídas de ar obstruídas. Limpe as saídas de ar cuidadosamente com uma escova seca e macia.
- Evite que a bateria seja exposta desnecessariamente a pó ou sujidade. Nunca exponha a bateria a humidade elevada (por ex., mergulhar em água ou deixar à chuva).
Se uma bateria tiver ficado encharcada, trate-a como uma bateria danificada. Isole-a num recipiente não inflamável e contacte o Centro de Assistência Técnica **Hilti**.
- Mantenha a bateria sem resíduos de óleo e massa consistente externa. Não permita que se acumule desnecessariamente pó ou sujidade sobre a bateria. Limpe a bateria com uma escova seca e macia ou um pano limpo e seco. Não utilize produtos de conservação que contenham silicone, uma vez que estes podem danificar os componentes de plástico.
Não toque nos contactos da bateria nem remova dos contactos a massa consistente aplicada de fábrica.
- Limpe a carcaça apenas com um pano ligeiramente húmido. Não utilize produtos de conservação que contenham silicone, uma vez que estes podem danificar os componentes de plástico.

Manutenção

- Verifique, regularmente, todos os componentes visíveis quanto a danos e os comandos operativos quanto a funcionamento perfeito.
- Não opere o produto se existirem danos e/ou perturbações de funcionamento. Mandar reparar o produto imediatamente no Centro de Assistência Técnica **Hilti**.



- Após os trabalhos de conservação e manutenção, aplique todos os dispositivos de protecção e verifique se funcionam correctamente.



Para um funcionamento seguro, utilize apenas peças sobresselentes e consumíveis originais. Poderá encontrar peças sobresselentes, consumíveis e acessórios aprovados pela Hilti para o seu produto na sua **Hilti Store** ou em: www.hilti.group

7.1 Limpeza dos dispositivos de protecção

1. Desmonte a lâmina de serra. → Página 58
2. Limpe os dispositivos de protecção cuidadosamente com uma escova seca.
3. Remova com uma ferramenta adequada depósitos e aparas no interior dos dispositivos de protecção.
4. Monte a lâmina de serra. → Página 59

7.2 Limpeza do canal das aparas

1. Desmonte a lâmina de serra. → Página 58
2. Limpe o canal das aparas com uma escova.
3. Monte a lâmina de serra. → Página 59

7.3 Verificação do aparelho após manutenção

Verifique após o trabalho de conservação e manutenção se todos os dispositivos de protecção estão encaixados e se funcionam em perfeitas condições.

1. Para verificação do resguardo de disco pendular, abra-o totalmente accionando a alavanca de comando.
 - ▶ Depois de soltar a alavanca de comando, o resguardo de disco pendular deve fechar rápida e totalmente.
2. Verifique o funcionamento das peças móveis, p. ex., ao prender ou rebarbar.
3. Verifique se o produto apresenta quebras ou outros danos evidentes.

8 Transporte e armazenamento de ferramentas a bateria e baterias

Transporte



CUIDADO

Arranque inadvertido durante o transporte !

- ▶ Transporte os seus produtos sempre sem as baterias colocadas!
-
- ▶ Retire a/as bateria(s).
 - ▶ Nunca transporte as baterias sem embalagem. Durante o transporte, as baterias devem ser protegidas contra impactos e vibrações excessivos e isoladas de quaisquer materiais condutores ou outras baterias, para que não entrem em contacto com os pólos de outras baterias e causem um curto-circuito. **Observe as suas normas de transporte locais para baterias.**
 - ▶ As baterias não devem ser enviadas por correio. Quando pretender enviar baterias não danificadas, contacte uma empresa transportadora.
 - ▶ Verifique o produto e as baterias quanto a danos antes de cada utilização, bem como antes e depois de longos períodos de transporte.

Armazenamento



AVISO

Dano accidental devido a baterias com defeito ou a perderem líquido !

- ▶ Armazene os seus produtos sempre sem as baterias colocadas!
-
- ▶ Guarde o produto e as baterias em lugar fresco e seco. Tenha em atenção os valores limite de temperatura, que estão indicados nas Características técnicas.
 - ▶ Não guarde as baterias no carregador. Após o processo de carregamento, retire sempre a bateria do carregador.
 - ▶ Nunca armazene as baterias em locais sujeitos a exposição solar, em cima de fontes de calor ou por trás de um vidro.
 - ▶ Guarde o produto e as baterias fora do alcance das crianças e das pessoas não autorizadas.
 - ▶ Verifique o produto e as baterias quanto a danos antes de cada utilização, bem como antes e depois de longos períodos de armazenamento.



9 Ajuda em caso de avaria

Sempre que ocorra uma avaria, observe a indicação de estado da bateria. Consultar capítulo **Indicações da bateria de íões de lítio**.

No caso de avarias que não sejam mencionadas nesta tabela ou se não conseguir resolvê-las por si mesmo, contacte o nosso Centro de Assistência Técnica **Hilti**.

Avaria	Causa possível	Solução
Os LEDs da bateria não indicam nada	Bateria avariada	▶ Dirija-se ao Centro de Assistência Técnica Hilti .
Não é possível pressionar o interruptor on/off (está bloqueado).	Nenhuma avaria (função de segurança).	▶ Prima o dispositivo de bloqueio.
A velocidade diminui repentinamente de forma considerável.	Bateria descarregada.	▶ Carregue a bateria.
	Força de avanço excessiva.	▶ Reduza a força de avanço e volte a ligar o produto.
As aparas não são removidas e caem na placa base	Canal das aparas obstruído.	▶ Limpe o canal das aparas. → Página 61
O produto não arranca por si próprio após bloqueio da lâmina de serra.	A protecção contra sobrecarga reage.	▶ Volte a pressionar o dispositivo de bloqueio e o interruptor on/off.
A bateria não encaixa com clique audível.	Patilha de fixação suja na bateria.	▶ Limpe a patilha de fixação e volte a encaixar a bateria.
O produto vibra mais do que o habitual.	Lâmina de serra mal montada.	▶ Desmonte a lâmina de serra e monte-a de novo.

10 Reciclagem



AVISO

Perigo de ferimentos devido a eliminação incorrecta! Riscos para a saúde devido à fuga de gases ou líquidos.

- ▶ Não envie quaisquer baterias danificadas!
- ▶ Para evitar curto-circuitos, cubra as conexões com um material não condutor.
- ▶ Elimine as baterias de modo a mantê-las longe do alcance das crianças.
- ▶ Efectue a reciclagem da bateria na sua **Hilti Store** ou entre em contacto com a empresa de recolha de lixo responsável.

Os produtos **Hilti** são, em grande parte, fabricados com materiais recicláveis. Um pré-requisito para a reciclagem é que esses materiais sejam devidamente separados. Em muitos países, a **Hilti** aceita o seu aparelho usado para reaproveitamento. Para mais informações, dirija-se ao Serviço de Clientes **Hilti** ou ao seu vendedor.



- ▶ Não deite as ferramentas eléctricas, aparelhos electrónicos e baterias no lixo doméstico!

11 Garantia do fabricante

- ▶ Se tiver dúvidas em relação às condições de garantia, contacte o seu parceiro **Hilti** local.

12 Declaração FCC / IC

Esta ferramenta está de acordo com a Parte 15 das regulamentações FCC e RSS-210 do IC. O funcionamento está sujeito às duas condições seguintes:

1. Esta ferramenta não pode causar interferências nocivas.
2. Esta ferramenta tem de aceitar interferências recebidas, mesmo aquelas que possam causar um funcionamento indesejado.



13 Mais informações

Pode consultar informações mais pormenorizadas sobre Utilização, Tecnologia, Meio ambiente e Reciclagem na seguinte hiperligação: qr.hilti.com/manual?id=2276670

Também pode encontrar esta hiperligação no final da documentação sob a forma de código QR.





 **NURON**



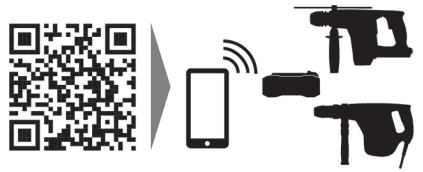
B 22-85 (01)	0,77 kg	1.70 lb
B 22-170 (01)	1,34 kg	2.95 lb

C 4-22
C 6-22
C 8-22





Hilti Corporation
LI-9494 Schaan
Tel.:+423 234 21 11
Fax:+423 234 29 65
www.hilti.com



2276670