

Owner's Manual

CONTACT US

Questions? Need parts?
We are here to help!

Permasteel Customer Service
Tel: 909-287-0730
Fax: 909-287-0733
Email: service@permasteel.net

Monday-Friday
8:00am-5:00pm (Pacific Standard Time)

Owner's Manual



STEEL 80QT COOLER
MODEL#PS-203

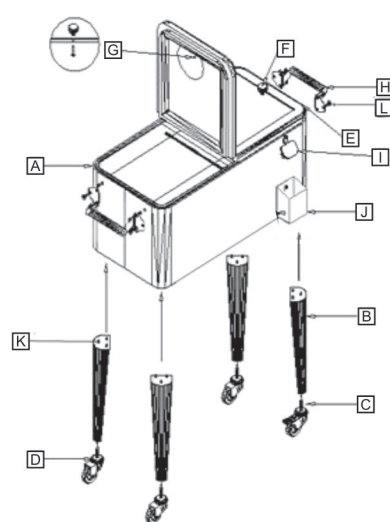
正面

ASSEMBLY INSTRUCTIONS:

TOOLS REQUIRED:

#2 Phillips screwdriver
Allen wrench

Please read the cooler manual carefully and assemble according to following steps.



Item	Description	Qty
A	Main Basin	1
B	Legs	4
C	Caster with brake	2
D	Caster	2
E	Lid	2
F	Lid Handle	2
G	M5*40 Screw	2
H	Handle	2
I	Bottle Opener	1
J	Bottle-cap Catcher	1
K	M6*16 bolt	12
L	M6*16 Hex Socket Bolt	14

1. Please make sure all parts are accounted for before beginning assembly
2. Place main basin (part A) up-side down on clean soft surface. Attach each leg & wheel assembly (parts B,C &D) onto main basin using 3pcs truss screws for each leg.
3. Turn over entire assembly and press caster brake level to lock casters. Attach left & right handles (part H) to main basin using 12 pcs truss screws. Tighten with wrench.
4. Attach bottle-cap catcher (J) to main basin by sliding it down over 2 pre-installed bolts.
5. Attach bottle opener (part I) to main basin using 2pcs M6*16 Hex Socket Bolt. Tighten with a Phillips screwdriver.
6. Attach 2pcs lid handles (part F) to cooler lid by using 2pcs 5/32 X1/2" screws (part G) Tighten with a Phillips screwdriver.
7. Clean inside of cooler completely with a soft dry towel. Place cooler lid (part E) on top of main basin (A). Your cooler is now ready for use.

LIMITED WARRANTY:

PERMASTEEL INC. Guarantees that this Product shall be free from defects in workmanship and materials, for a period of 90 Days from the date of original purchase. Our obligation under this warranty shall be limited to replacement of parts during the warranty period. Our liability shall not extend beyond replacement of parts. This warranty excludes normal wear & tear such as paint loss, discoloration and rust on product and its parts or components, and any damage arising from any of the following, negligent use or misuse of the Product, use contrary to this User's Manual, or alteration by anyone other than Permasteel Inc. All warranty coverage is void if this cooler is ever used for commercial or rental purposes; this warranty is valid only in the USA. The warranty period of 90 Days shall not be extended or renewed by the repair or replacement of parts or compensation for the Product. If your Product is defective or otherwise requires service or parts, please call Permasteel Customer Service at **(888)-287-0735, between 8:00 a.m. and 5:00 p.m. PST.**
Email: service@permasteel.net or visit us at www.permasteel.net

Permasteel Inc. will ship parts free of charge for a period of 30 days from date of purchase, Consumer is responsible for **shipping & handling and processing** of warranty claims after 30 days of purchase date.
proof of purchase like purchase receipt must accompany any service request.

CARE & MAINTENANCE

Manufacturer recommends the following care & maintenance:

- Cooler must be drained of water and completely dried in and out with a soft-clean cloth after every use.
- When not in use for prolonged periods of time it is recommended to store in an enclosed dry place such as a storage shed or garage.
- During the season when using cooler frequently it is recommended to use a weather-proof cover to cover cooler when not in use.
- Periodically apply a light coat of automotive wax to protect & prolong the life & finish of the cooler.
- For further care & maintenance tips or questions please call customer service at 888-287-0735 or email us at service@permasteel.net or visit us at www.permasteel.net

反面