

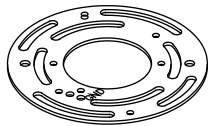
ASSEMBLY AND INSTALLATION INSTRUCTIONS

T0468

WARNING: TO AVOID RISK OF ELECTRICAL SHOCK, BE SURE TO SHUT OFF POWER BEFORE INSTALLING OR SERVICING THIS FIXTURE.

NOTES: 1. Before installing, consult local electrical codes for wiring and grounding requirements.
2. READ AND SAVE THESE INSTRUCTIONS.

Hardware Package (included):



Mounting plate (A)



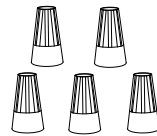
Green Grounding Screw (E)



Mounting Screw (B)



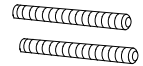
Lock Nut (F)



Wire Connector (C)



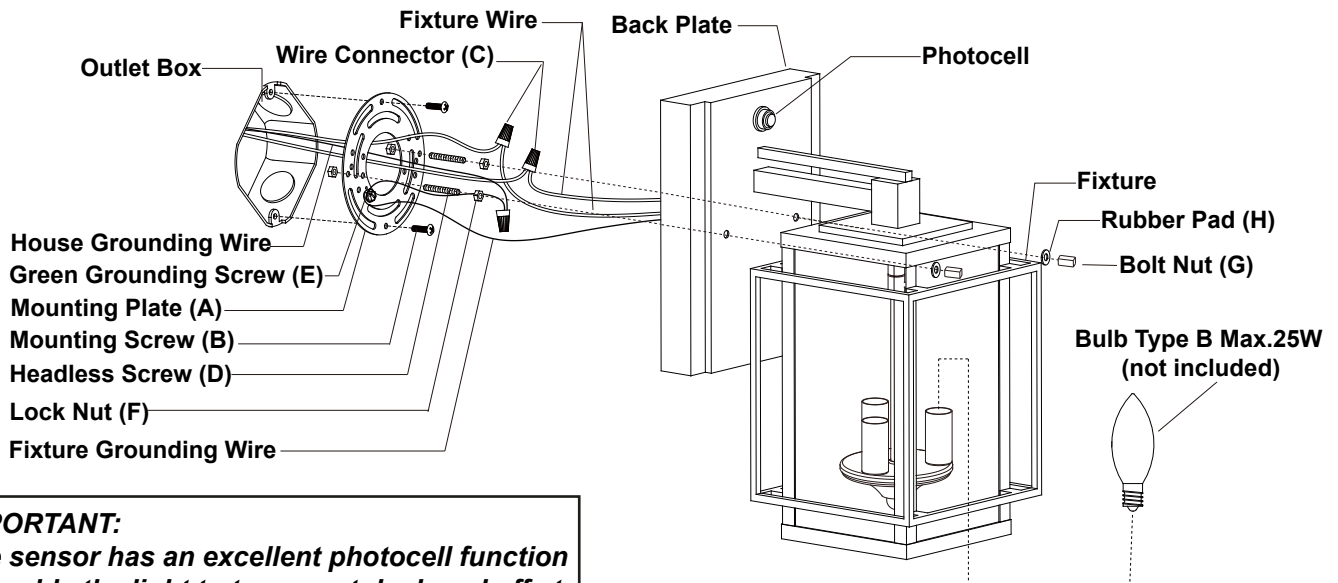
Bolt Nut (G)



Headless screw (D)



Rubber Pad (H)



IMPORTANT:

The sensor has an excellent photocell function to enable the light to turn on at dusk and off at dawn automatically.

Turn off the power at fuse or circuit box

1. Thread two headless screws (D) through the mounting plate (A), then secure them with four lock nuts (F) (two on each side of the mounting plate). Adjust the length of the headless screws (D) if necessary.
Note: Make sure that the headless screws (D) are lined up horizontally, to ensure that the fixture will be level.
2. Attach the mounting plate (A) to the outlet box by using two mounting screws (B).
3. Take a glass panel and gently slide it into the glass frame in place, secure it by pressing two clips on top side of the glass frame and two clips on the bottom of the glass frame. Repeat with the other glass panels. (See Fig.1)

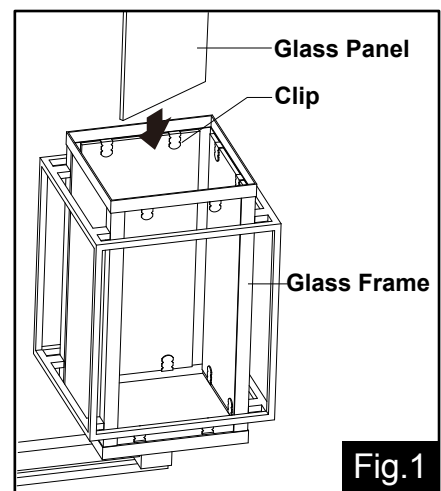


Fig.1

 VAXCEL

210407

4. Pull out the outlet wires and the house grounding wire from the outlet box. Make wire connections using the wire connectors (C):
 - Connect the black wire from the fixture to the black wire from the power source.
 - Connect the white wire from the fixture to the white wire from the power source.
 - Attach the fixture grounding wire to the mounting plate (A) with the green grounding screw (E). Then connect it to the house grounding wire with a wire connector (C).
 Carefully put the wires back into the outlet box.

5. Attach the back plate to the mounting plate (A) by inserting the headless screws (D), then secure it with two rubber pads (H) and two bolt nuts (G).

CAUTION: With silicone caulking compound, caulk completely around where the back plate meets with the wall surface to prevent water from seeping into the outlet box.

6. Install a bulb (not included). See relamping label at socket area or packaging for maximum allowed wattage.

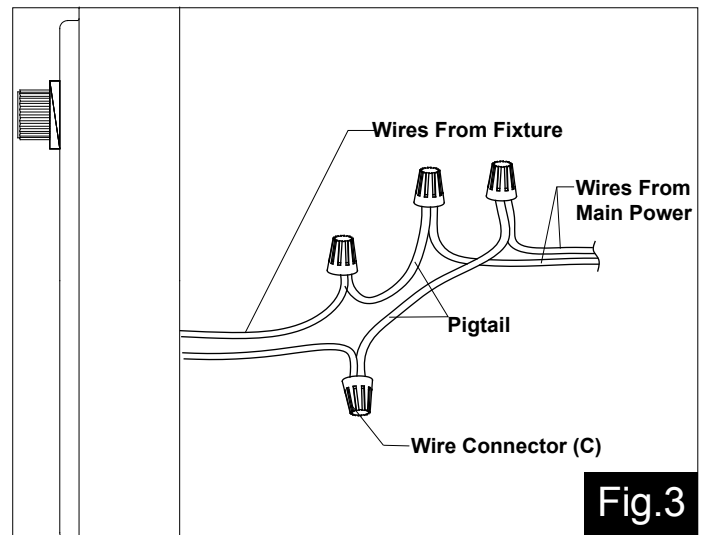
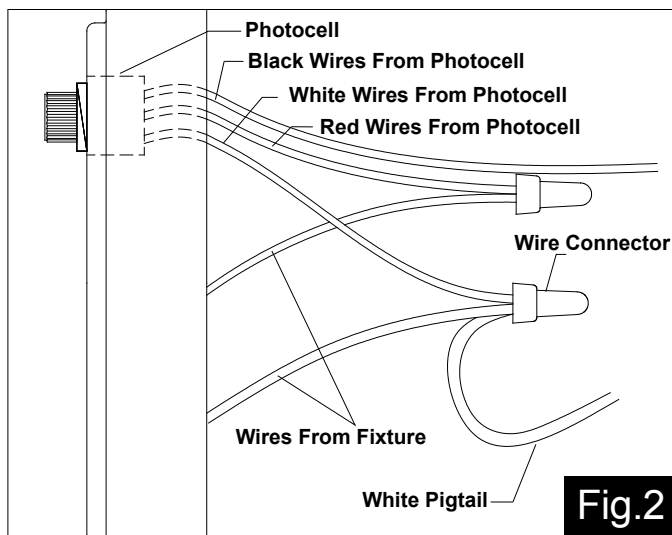
Turn on the power at fuse or circuit box

Optional Installation: Disconnect Dusk-to-Dawn Photocell

IMPORTANT:

Compatible with dimmer when photocell is disconnected.

*** Requires dimmable bulb and compatible dimmer switch.**



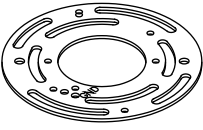
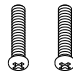
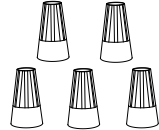
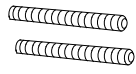



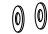
1. Turn off the power at the main fuse or circuit breaker box before starting installation.
2. Loosen the wire connectors connected with the wires from photocell. (See Fig.2)

Note: Do not remove the photocell to prevent water from seeping into the outlet box.
3. Take a white pigtail and black pigtail and make wire connections using wire connectors (C): (See Fig.3)
 - a. The black wire from the fixture to one end of the black pigtail.
 - b. The white wire from the fixture to one end of the white pigtail.
 - c. The other end of the black pigtail to the black wire from the power source.
 - d. The other end of the white pigtail to the white wire from the power source.
 Put all wires back into the back plate of the fixture.

Turn on the power at fuse or circuit box

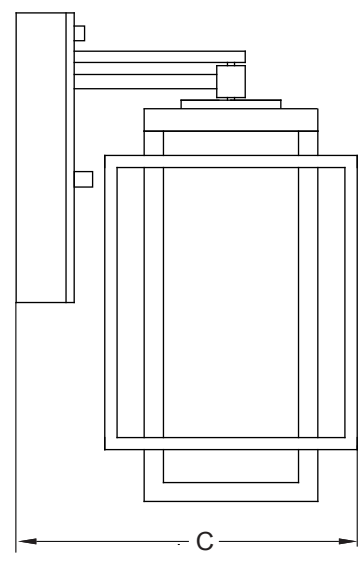
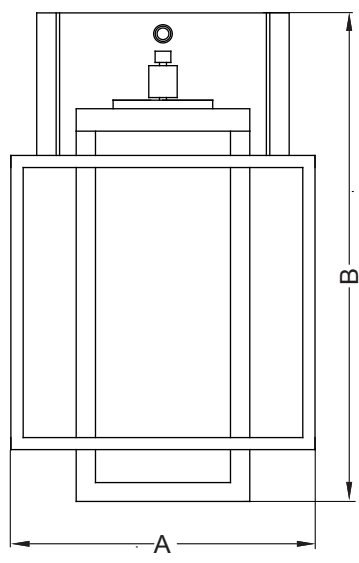
The following parts are available for re-order if damaged or missing.

Spare Parts List:

 Mounting plate (A)	 Mounting Screw (B)	 Wire Connector (C)	 Headless screw (D)
 Green Grounding Screw (E)	 Lock Nut (F)	 Bolt Nut (G)	 Rubber Pad (H)

Assembly Kit
6000MM (1SET)

Glass X 4
10033RG



A: 9-1/2"
B: 18-1/2"
C: 12-1/4"