



Item # 1001 509 635
1001 488 133
1005 990 180
Model # G3602T-US
G3602TR-US

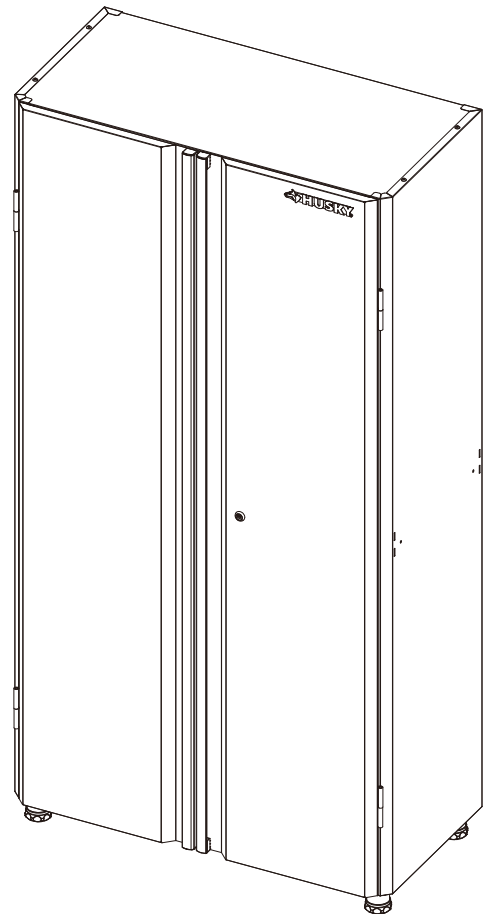
USE AND CARE GUIDE

36 IN. STORAGE CABINET

Questions, problems, missing parts?
Before returning to the store, call
Husky Customer Service
8 a.m. - 7 p.m., EST, Monday - Friday
9 a.m. - 6 p.m., EST, Saturday

1-888-43-HUSKY

WWW.HUSKYTOOLS.COM



Due to continuing improvements,
the actual product may differ slightly
from the product described herein.

THANK YOU

We appreciate the trust and confidence you have placed in Husky through the purchase of this cabinet. We strive to continually create quality products designed to enhance your home. Visit us online to see our full line of products available for your home improvement needs. Thank you for choosing Husky!

Table of Contents


Table of Contents2
Safety Information2
Warranty2
Specifications3
Pre-Installation3


Assembly5
Maintenance9
Care and Cleaning9
Service Parts10


Safety Information


To reduce the risk of serious injury, read and follow the safety instructions below before assembling and using this product.


- This product is intended for indoor use only.
- This product is not designed for commercial nor industrial usage.


 **CAUTION:** Use at least two people to move, assemble or install this product. Failure to do so can result in personal injury or product damage. Any assembly or maintenance of the product must be carried out by adults only.

 **CAUTION:** Close and lock the doors before moving this product.


 **CAUTION:** DO NOT alter this product in any manner. For example, do not weld external bar locks or attach electrical equipment. This may cause product damage or personal injury.

 **CAUTION:** Check all nuts and bolts periodically for tightness. When required, tighten them.

 **CAUTION:** DO NOT leave children unattended near this product. Cabinet may tip over if improperly opened.

 **WARNING:** Keep the product on level surfaces. The product could become unstable and it may tip over if stored or moved on an uneven surface, which may cause personal injury, death or product damage.

 **WARNING:** DO NOT put anything on the top panel of this product.

 **WARNING**

- Unit must be placed on a level surface or leveled with included hardware (when applicable).
- Do not sit or stand on or allow children to climb, sit or stand on the assembled product.
- For safety reasons, it is imperative that this unit be mounted on the wall or floor.
- Do not use without installing the tip restraint.
- Unit can tip over causing severe injury or death.
- Never open more than one drawer at a time.
- Do not exceed the recommended weight limits.
- Evenly distribute the weight on each level and always keep the heavier loads on the bottom.
- Before cutting, drilling or hammering into any wall or floor surface, verify the location of electrical, plumbing and gas lines. Cutting may cause serious injury.

Warranty

This warranty excludes incidental/inconsequential damages and failures due to misuse, abuse or normal wear and tear.

This full warranty gives you specific rights, and you may also have other rights, which vary state to state.

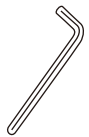
Contact the customer service team at 1-888-43-HUSKY or visit www.huskytools.com.

Specifications

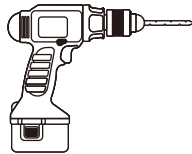
Maximum load for each door	11 lbs. / 5 kg
Maximum load for each shelf	150 lbs. / 68 kg
Maximum load for bottom panel	150 lbs. / 68 kg
Maximum total load	622 lbs. / 282 kg

Pre-Installation

TOOLS REQUIRED



Hex Wrench (Hex Key)



Drill
(not included)



Safety Goggles
(not included)



Socket (10mm)
(not included)



Hex Screwdriver Bit



Gloves
(not included)

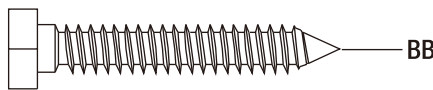
HARDWARE INCLUDED



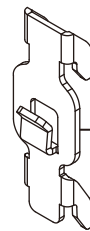
NOTE: Hardware not shown to actual size.



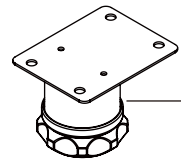
AA



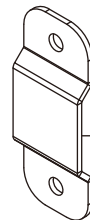
BB



CC



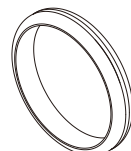
DD



EE



FF

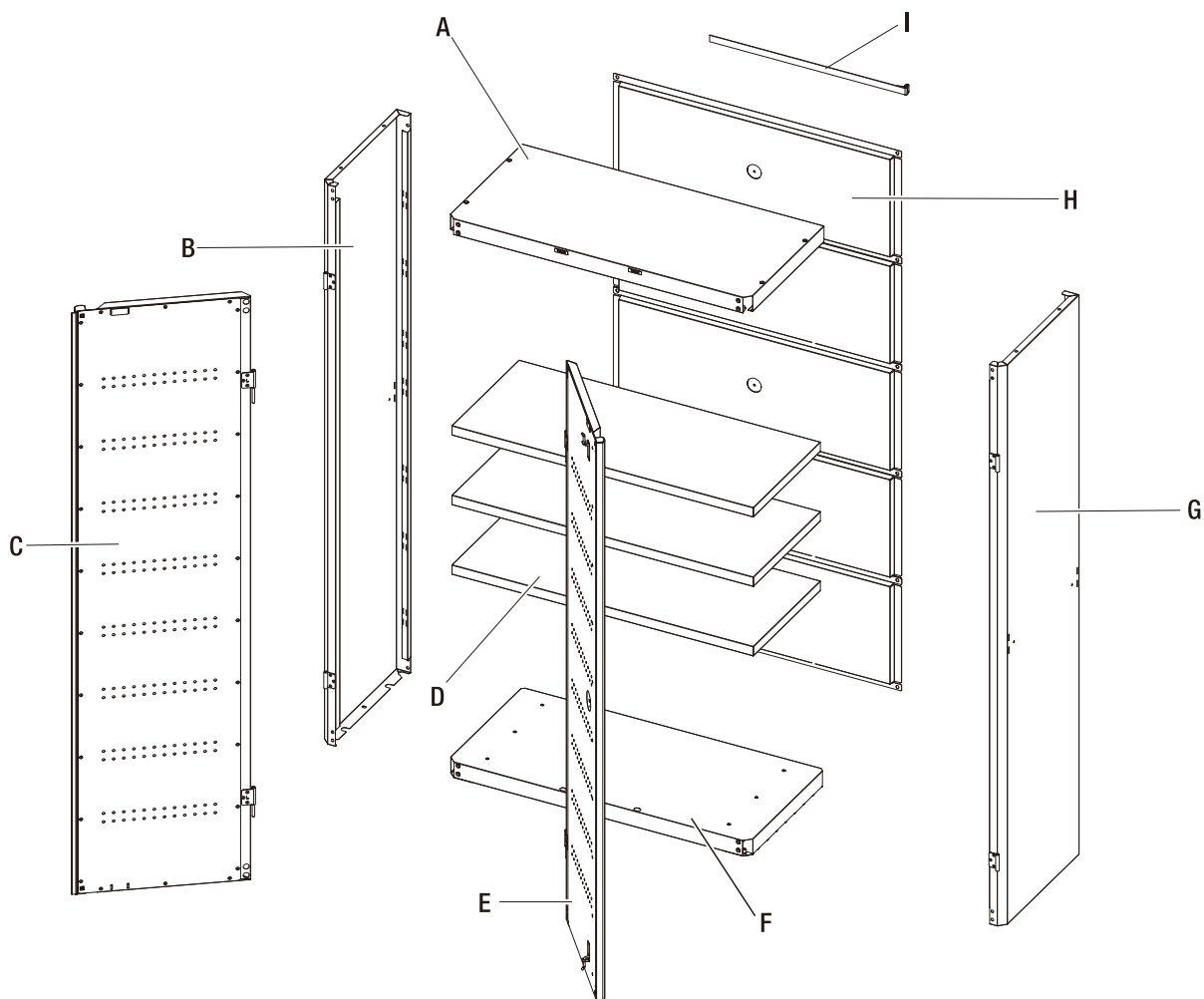


GG

Part	Description	Quantity
AA	M6 x 16 hex socket head screw	42
BB	M6 x 40 hex tapping bolt	2
CC	Shelf bracket	12
DD	Adjustable foot	4
EE	Safety bracket	1
FF	M6 x 16 hex socket head cap screw	2
GG	Grommet	2

Pre-Installation (continued)

PACKAGE CONTENTS



Part	Description	Quantity
A	Top panel	1
B	Left side panel	1
C	Left door	1
D	Shelf	3
E	Right door	1

Part	Description	Quantity
F	Bottom panel	1
G	Right side panel	1
H	Back panel	5
I	Safety strap	1

Assembly



CAUTION: Assemble on a flat surface. Make sure the surface is free of debris or the cabinet is protected. A piece of cardboard is recommended to keep the product from being scratched during assembly.



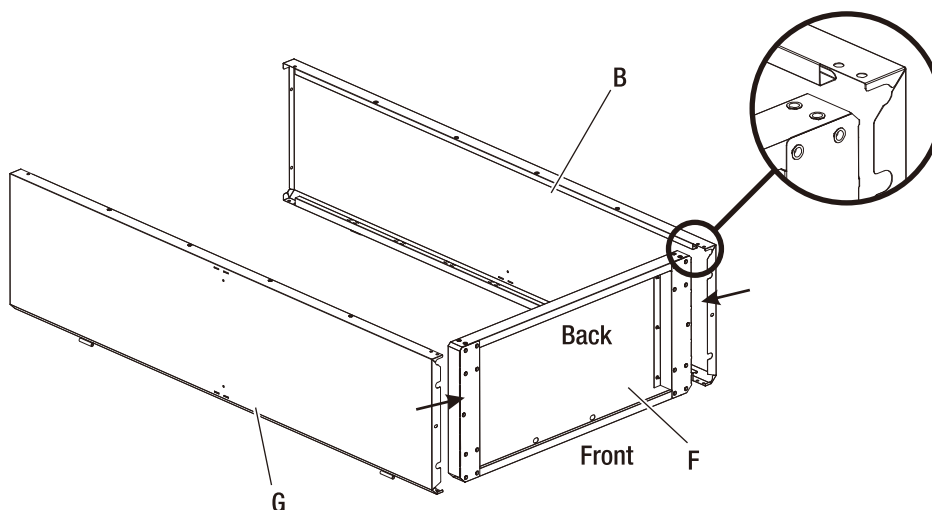
CAUTION: Please wear gloves during the whole assembling process to avoid accidental personal injury.



CAUTION: For component with protective film, please peel off the protective film before assembling it.

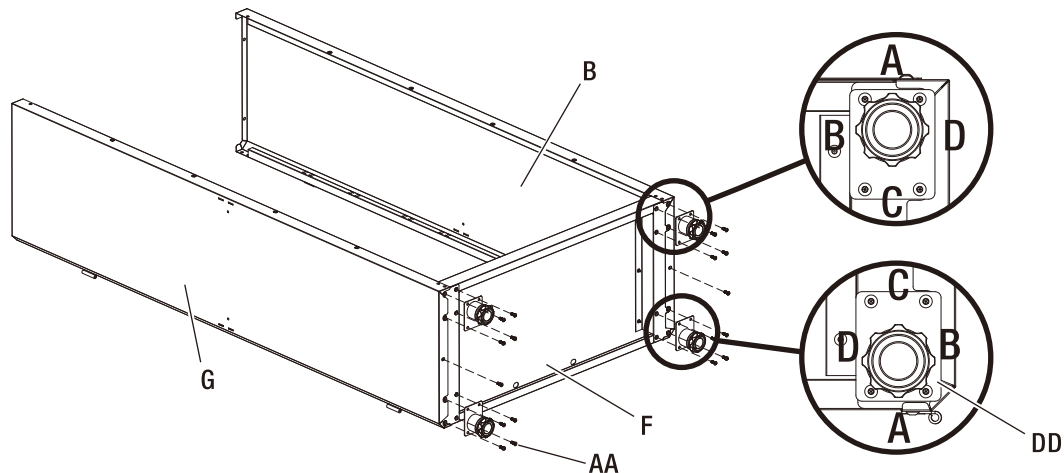
1 ATTACH THE SIDE AND BOTTOM PANELS

Attach the side panels (B & G) and bottom panel (F) together.



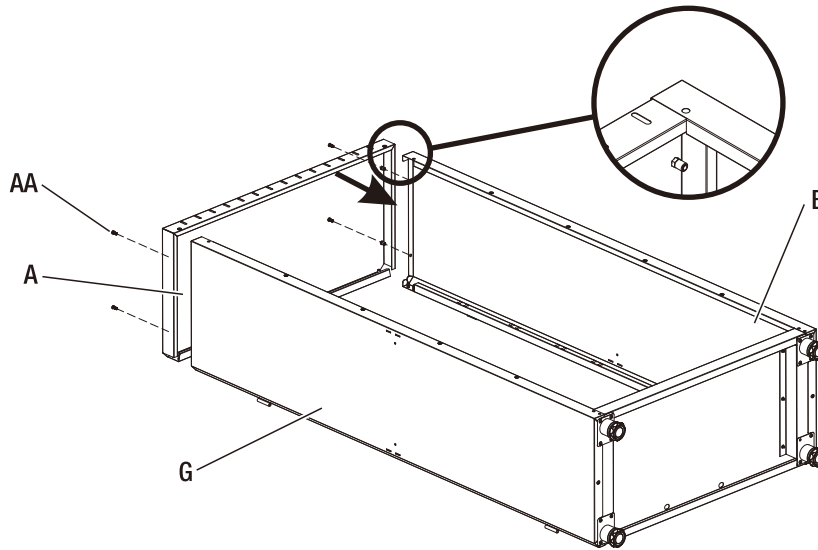
2 INSTALL THE ADJUSTABLE FEET

- Install the adjustable feet (DD) to the bottom panel (F). Make sure side A of the adjustable feet (DD) are facing towards the outside of the cabinet. Tighten securely with sixteen M6 x 16 hex socket head screws (AA).
- Fix the side panels (B & G) and the bottom panel (F) with two M6 x 16 hex socket head screws (AA). Tighten securely.



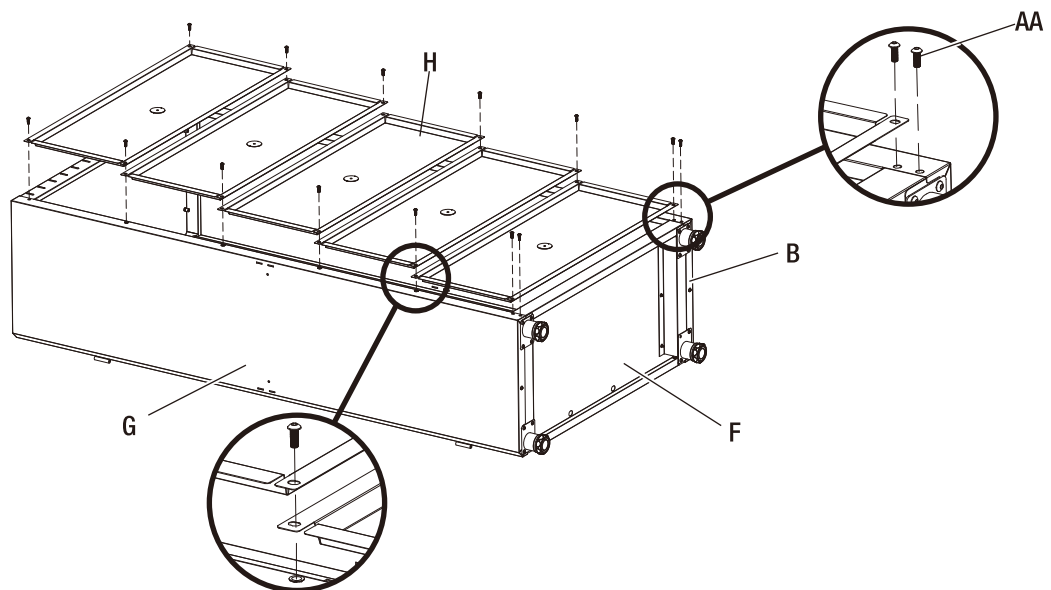
3 ATTACH THE TOP PANEL

Attach the top panel (A) to the side panels (B & G) with four M6 x 16 hex socket head screws (AA). Tighten securely.



4 ATTACH THE BACK PANELS

- Lay the cabinet on its face.
- Attach the back panels (H) to the back of the cabinet with twelve M6 x 16 hex socket head screws (AA). Insert the screws by hand. DO NOT tighten.
- Fix the side panels (G & B) and bottom panel (F) together with two M6 x 16 hex socket head screws (AA). Insert the screws by hand. DO NOT tighten.



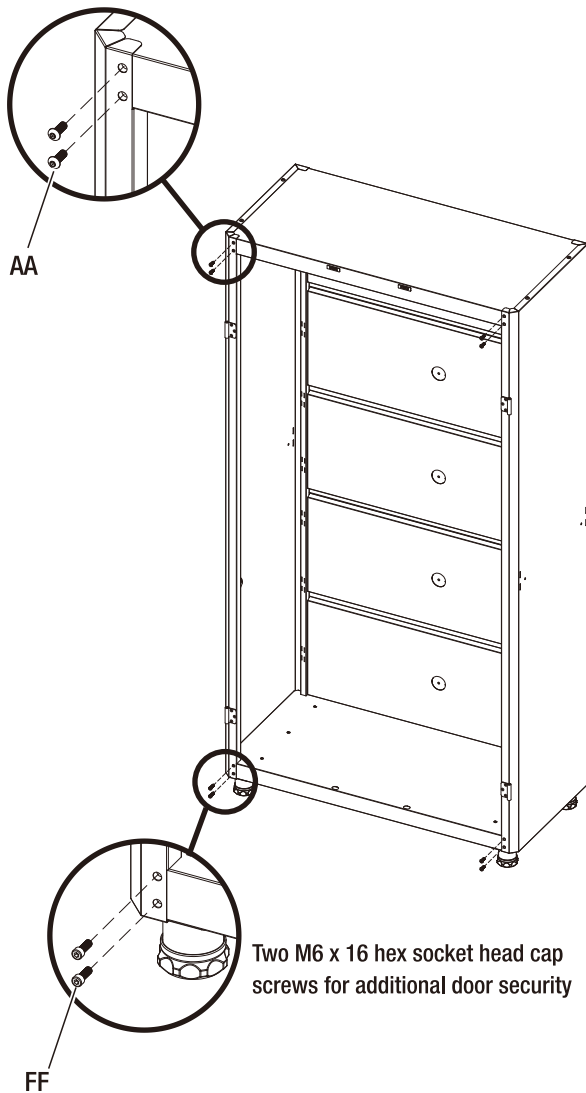
Assembly (continued)

5 FIX THE TOP PANEL, BOTTOM PANEL AND SIDE PANELS



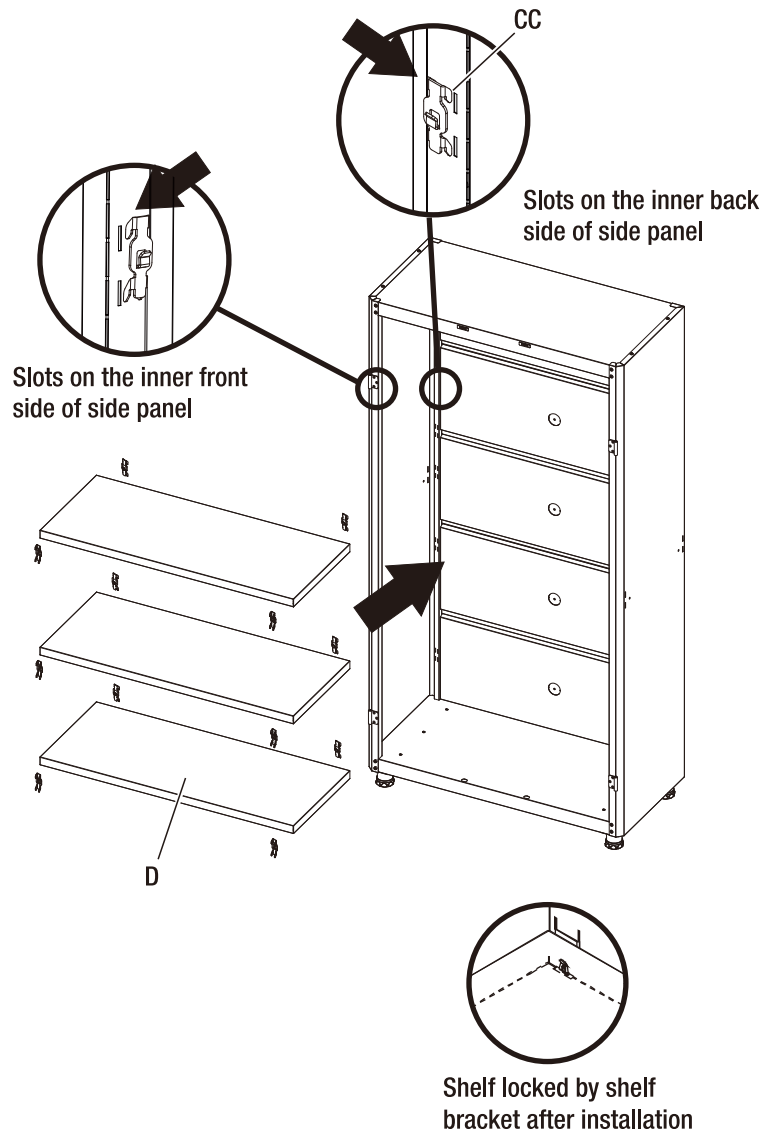
CAUTION: Two M6 x 16 hex socket head cap screws (FF) (security screws) should be fixed to the left bottom face of cabinet for additional door security.

- Fix the top panel, bottom panel and side panels with six M6 x 16 hex socket head screws (AA) and two M6 x 16 hex socket head cap screws (FF). Insert the screws by hand. **DO NOT** tighten.



6 INSTALL THE SHELVES

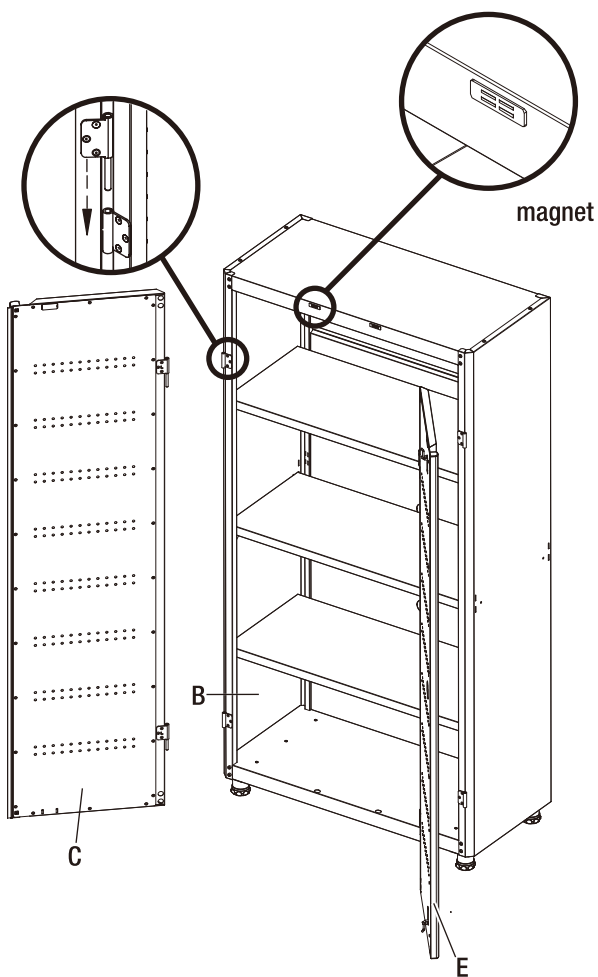
- Insert twelve shelf brackets (CC) into the slots on the side panels at the desired height. Make sure the four brackets (CC) for each shelf (D) are at the same height.
- Place the shelves (D) over the shelf brackets (CC), and push them down onto the shelf brackets.
- Make sure the shelves (D) are properly and safely locked by the upright hooks of the shelf brackets.



Assembly (continued)

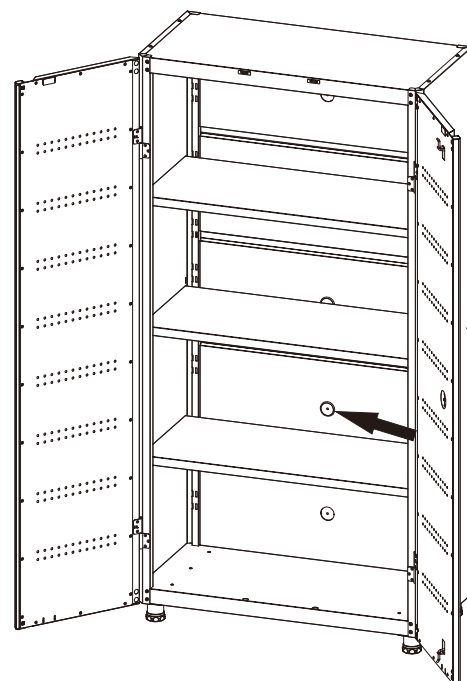
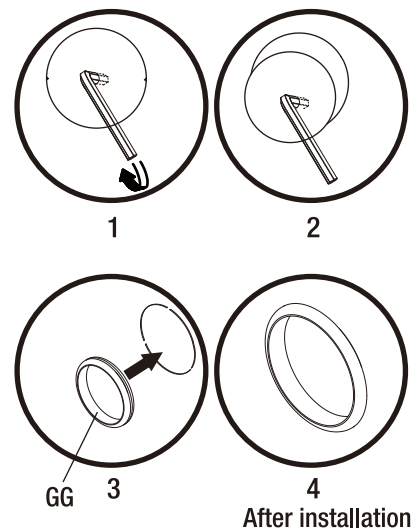
7 ATTACH THE DOORS

- Insert the pins of the hinges on the left door (C) into the slots of the bottom hinges at the front of the left side panel (B).
- Repeat the same procedure to attach the right door (E).
- Close the doors to see if the doors can touch the magnets completely. If not, adjust the cabinet's top and side panels to make sure the shape of the cabinet is square and flush.
Until the doors can catch the magnets completely and are flush, tighten all the screws at the cabinet front and back.



8 INSTALL THE GROMMETS

- Insert the short side of the hex wrench by half into your desired cord access holes, and pry the knock-outs towards your side.
- Take away the knock-outs carefully and install the grommets (GG).



Assembly (continued)

9 CONNECT THE CABINET TO THE WALL

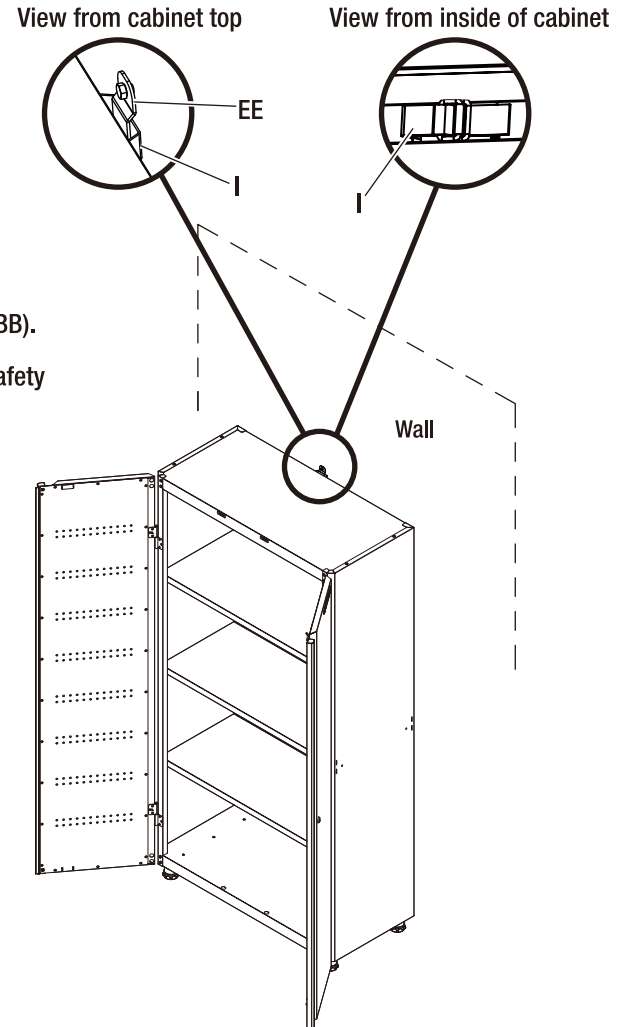
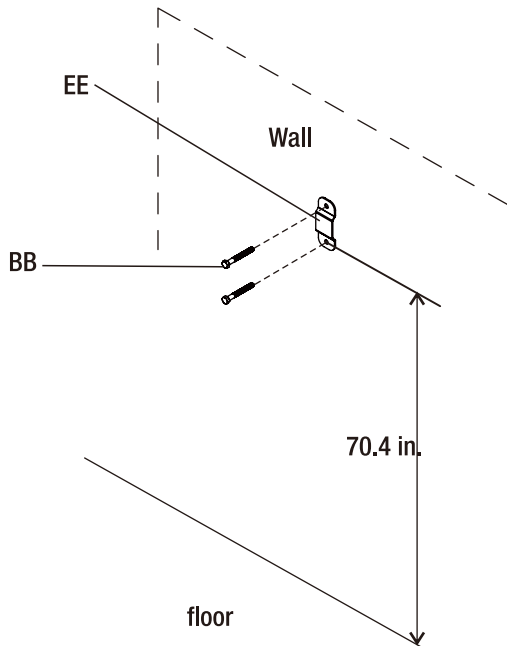


CAUTION: The M6 x 40 hex tapping bolts (BB) should be drilled into the stud of the wall.



CAUTION: The safety bracket's bottom M6 x 40 hex tapping bolt should be 70.4 in. from the floor.

- Install the safety bracket (EE) to the wall with two M6 x 40 hex tapping bolts (BB).
- Fasten the tall cabinet by using the safety strap (I) to tie the tall cabinet and safety bracket (EE) together. Tighten securely.



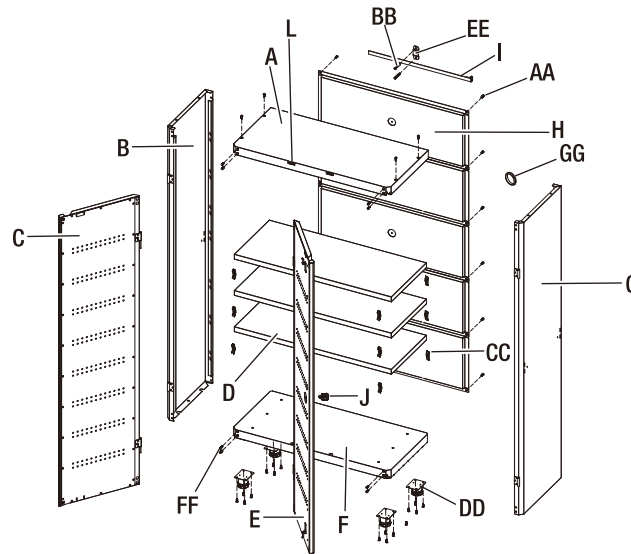
Maintenance

- Check all the screws and nuts periodically for tightness. Tighten them when necessary.
- Check the safety strap periodically for tightness. Tighten it when necessary.

Care and Cleaning

- Periodically clean the surfaces with a soft rag and water.
- Grease and oil can be removed with most standard cleaning fluids. For safety, use a nonflammable cleaning fluid.

Service Parts



36 in. Storage cabinet (Black): Model #: G3602T-US; SKU 1001 509 635 / 1001 488 133

Part	Replacement Part #	Description	Quantity
K	304213	Key	2
A	121816	Top panel	1
B	121814	Left side panel	1
C	123419	Left door	1
D	243264	Shelf	3
E	123420	Right door	1
F	121817	Bottom panel	1
G	121815	Right side panel	1
H	243259	Back panel	5

Part	Replacement Part #	Description	Quantity
I	314230	Safety strap	1
J	304212	Lock	1
L	312033	Magnet	2
AA	320327	M6 x 16 hex socket head screw	42
BB	320328	M6 x 40 hex tapping bolt	2
CC	243311	Shelf bracket	12
DD	313066	Adjustable foot	4
EE	212591	Safety bracket	1
FF	320346	M6 x 16 hex socket head cap screw	2
GG	314027	Grommet	2

36 in. Storage cabinet (Red): Model #: G3602TR-US; SKU 1005 990 180

Part	Replacement Part #	Description	Quantity
K	304213	Key	2
A	122256	Top panel	1
B	122250	Left side panel	1
C	123422	Left door	1
D	244164	Shelf	3
E	123421	Right door	1
F	122257	Bottom panel	1
G	122251	Right side panel	1
H	244163	Back panel	5

Part	Replacement Part #	Description	Quantity
I	314230	Safety strap	1
J	304212	Lock	1
L	312033	Magnet	2
AA	320327	M6 x 16 hex socket head screw	42
BB	320328	M6 x 40 hex tapping bolt	2
CC	243311	Shelf bracket	12
DD	313066	Adjustable foot	4
EE	212591	Safety bracket	1
FF	320346	M6 x 16 hex socket head cap screw	2
GG	314027	Grommet	2



CAUTION: Replacement keys may be ordered. Call 1-844-370-2288 .



Questions, problems, missing parts? Before returning to the store,
call Husky Customer Service

8 a.m. - 7 p.m., EST, Monday - Friday

9 a.m. - 6 p.m., EST, Saturday

1-888-43-HUSKY

WWW.HUSKYTOOLS.COM

Retain this manual for future use.