

MANUAL HYDRAULIC JACK

5TON HEAVY DUTY



5 Tons Manual Machine Jack

360° Rotation & On-off Valve & Removable Handle

- Our hydraulic toe jack can help you lift heavy items effortlessly, with 5 tons/11023 lbs on both toe and top. It's made of heat-treated steel, rigid and durable. With a long removable handle and 360° swiveling housing, you can use it conveniently. It will be an excellent jack tool for your automotive repair works and other emergencies.
- Heavy Hydraulic Toe Jack
- 5 Ton/11023 LBS Lifting Capacity
- 360° Rotatable Housing
- One-piece Structure

VEVOR®

Tough Equipment & Tools, Pay Less

VEVOR is a leading brand that specializes in equipment and tools. Along with thousands of motivated employees, VEVOR is dedicated to providing our customers with tough equipment & tools at incredibly low prices. Today, VEVOR has occupied markets of more than 200 countries with 10 million plus global members.

Why Choose VEVOR?

- Premium Tough Quality
- Incredibly Low Prices
- Fast & Secure Delivery
- 30-Day Free Returns
- 24/7 Attentive Service



STRONG PERFORMANCE

Strong Performance

The rated lifting capacity can reach up to 5 tons (11023lbs). Either the top of the toe can be used to lift the heavy big things.



PREMIUM MATERIAL

360° Swiveling Housing

The housing can be swiveled 360°. Through the rotatory housing, you can fit the machine jack into different situations more flexibly.



360° SWIVELING HOUSING

Easy to Use

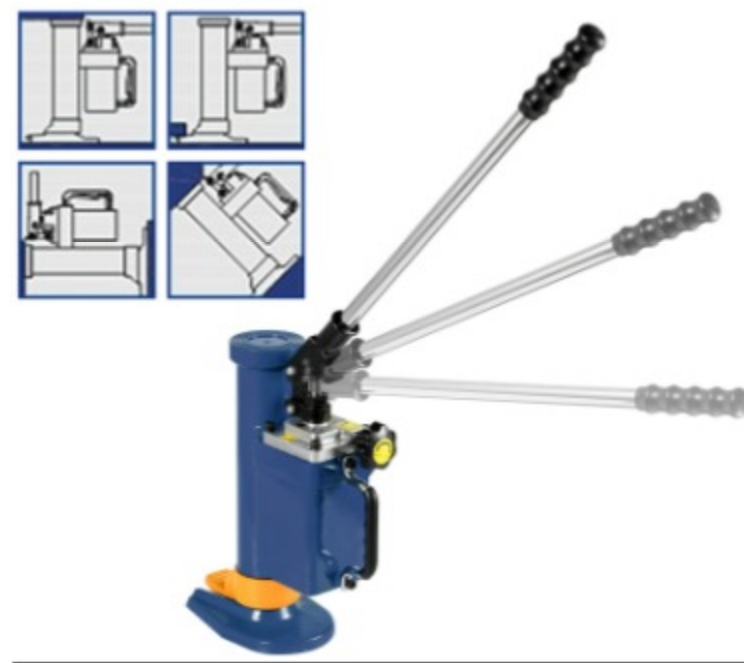
You don't have to spend a day learning how to use the machine jack. It is simple, powerful, and can be used horizontally and vertically.



REMOVABLE LONG HANDLE

High-quality Steel

The jack is made of machined stainless steel. So the whole body including the cylinder housing is durable and enduring.



EASY TO USE

Removable Long Handle

The extra-long handle can make your operation easier, and it can be removed for storage. Designed with an on-off valve, it's quite convenient to drop.



WIDE APPLICATION

Wide Application

This hydraulic toe jack is suited for different situations and industries, like heavy-duty machinery industry, automobile maintenance industry, or just for individual needs.



Specifications

- Rated Lifting Capacity: 5 Tons / 11000lbs
- Toe Min. Height: 1"/25 mm
- Lifting Stroke: 9"/230 mm
- Handle Length: 20.47"/52 cm
- Material: Steel
- Drive: Hydraulic
- Weight: 21 kg/46.3 lbs



Package Content

- 1 x Machine Toe Jack
- 1 x Removable Handle