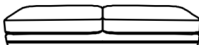

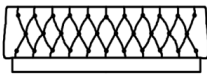

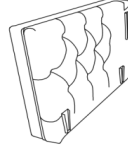

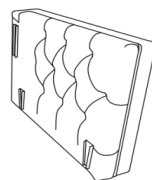


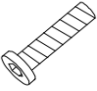


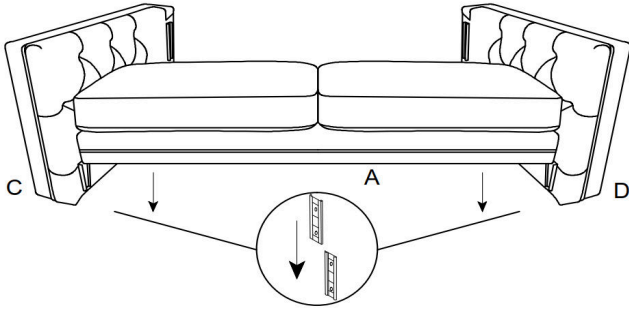
ASSEMBLY INSTRUCTION

Item No:HSFYJH0123

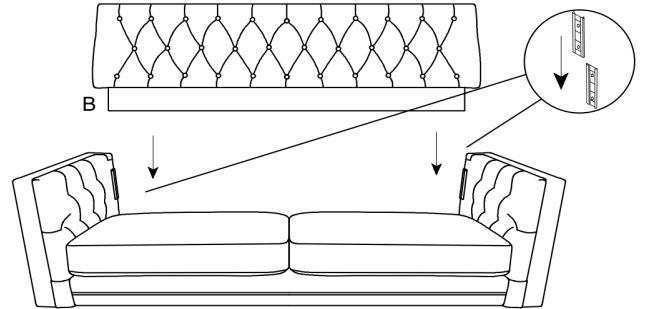
COMPONENT PARTS							
DESCRIPTION	Q'TY (PCS)	DRAWING	PART NAME	DESCRIPTION	Q'TY (PCS)	DRAWING	PART NAME
A	1		SEAT	F	1		MIDDLE LEG
B	1		BACKREST	G	8		BOLT (M8*20)
C	1		LEFT ARMREST	H	1		ALLEN KEY (M6)
D	1		RIGHT ARMREST	I	1		WASHER
E	4		LEG	J	1		EXTRA PARTS BOLT (M8*20)

Please follow the drawings below to assemble the model.

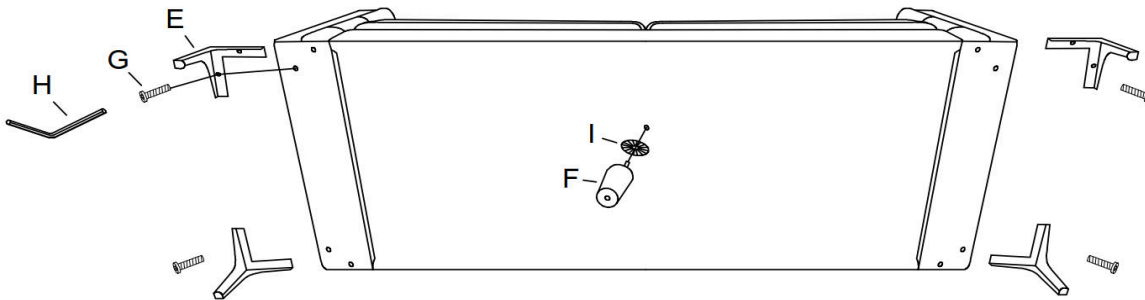
Step.1:Fasten seat(A) and Armrest(C&D)



Step.2: Fasten Back rest(B) and Armrest(C&D)



Step.3: Install Legs (E & F)



Completed.

