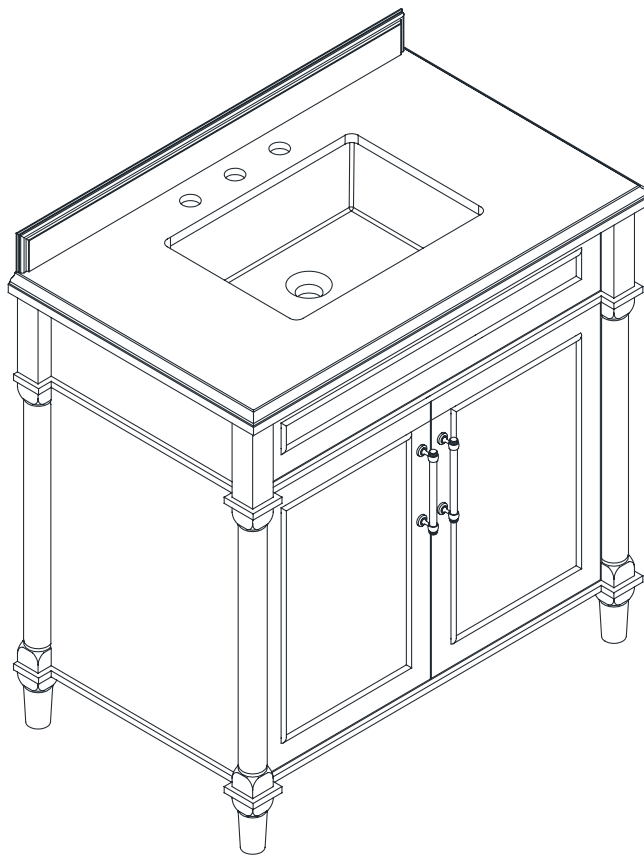


USE AND CARE GUIDE

36 IN. ABERDEEN VANITY



Questions, problems, missing parts? Before returning to the store,
call Home Decorators Collection Customer Service
8 a.m. - 7 p.m., EST, Monday - Friday, 9 a.m. - 6 p.m., EST, Saturday

1-800-986-3460

HOMEDEPOT.COM/HOMEDECORATORS


THANK YOU

We appreciate the trust and confidence you have placed in Home Decorators Collection through the purchase of this vanity. We strive to continually create quality products designed to enhance your home. Visit us online to see our full line of products available for your home improvement needs. Thank you for choosing Home Decorators Collection!

Table of Contents

Table of Contents	2	Package Contents	4
Safety Information	2	Installation	5
Warranty	2	Care & Cleaning	7
Pre-Installation	3	Marble Vanity Top Care and Cleaning.....	7
Planning Installation	3	Cabinet Care and Cleaning.....	7
Vanity and Countertop Dimensions	3		
Materials Required.....	3		

Safety Information

 **WARNING:** Handle with care. Do not drop, handle roughly, or over-tighten screws as this will damage the vanity.

Warranty

Home Decorators Collection products are manufactured with superior quality standards and workmanship and are backed by a 1-year Manufacturer’s warranty. Home Decorators Collection products are warranted to the original consumer purchaser to be free of defects in materials or workmanship. We will replace FREE OF CHARGE any product or parts that proves defective. Simply, return the product / part to any of The Home Depot retail locations or call 1-800-986-3460 to receive the replacement item. Proof of purchase (original sales receipt) from the original consumer purchaser must be made available for all Home Decorators Collection warranty claims.

This warranty excludes incidental / inconsequential damages and failures due to misuse, abuse or normal wear and tear. This warranty excludes all industrial, commercial, and business usage, whose purchasers are hereby, extended a five year limited warranty from the date of purchase, with all other terms of this warranty applying except the duration of warranty.

Some states and provinces do not allow the exclusion or limitation of incidental or consequential damages, so the above limitations may not apply to you. This warranty gives you specific legal rights and you may also have other rights that vary from state to state and province to province.

Contact the Customer Service Team at 1-800-986-3460 or visit www.HOMEDEPOT.com/HOMEDECORATORS.

Pre-Installation

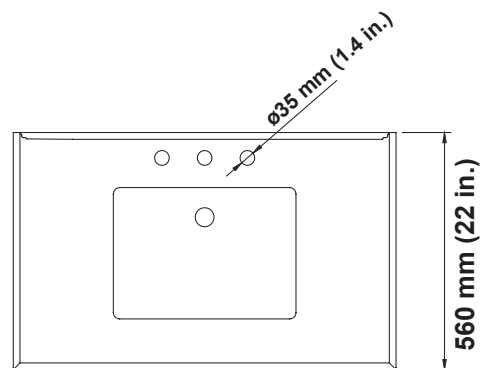
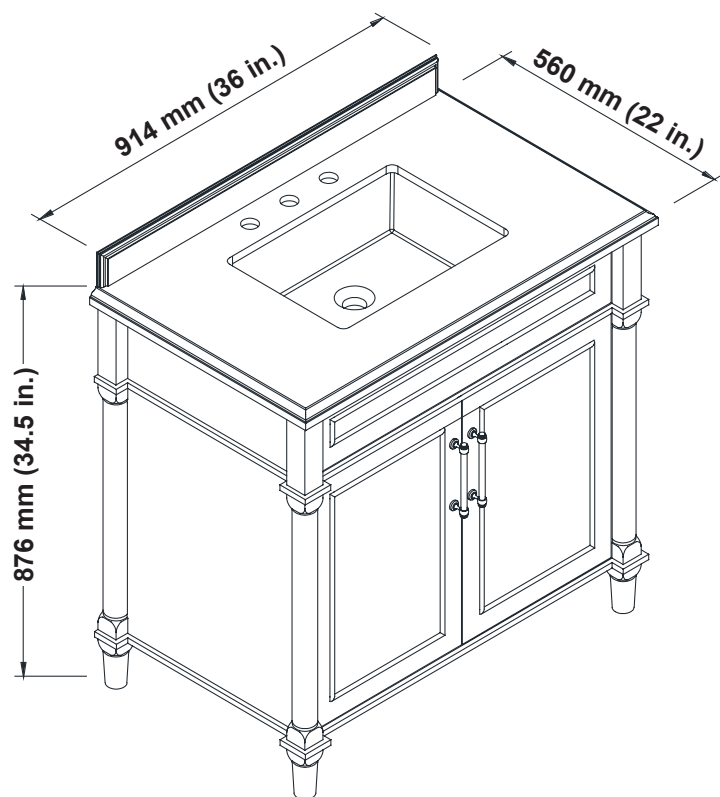
PLANNING INSTALLATION

Check the vanity for damage before installation. If any parts of the vanity are missing or damaged, contact the Customer Service Team at 1-800-986-3460.

Ensure that the vanity location is accessible to water supply and drain lines. It is suggested that you rough-in the water lines and drain before installing the vanity.

 **NOTE:** A drain pipe and trap are not included with this vanity.

VANITY AND COUNTERTOP DIMENSIONS



TOOLS REQUIRED



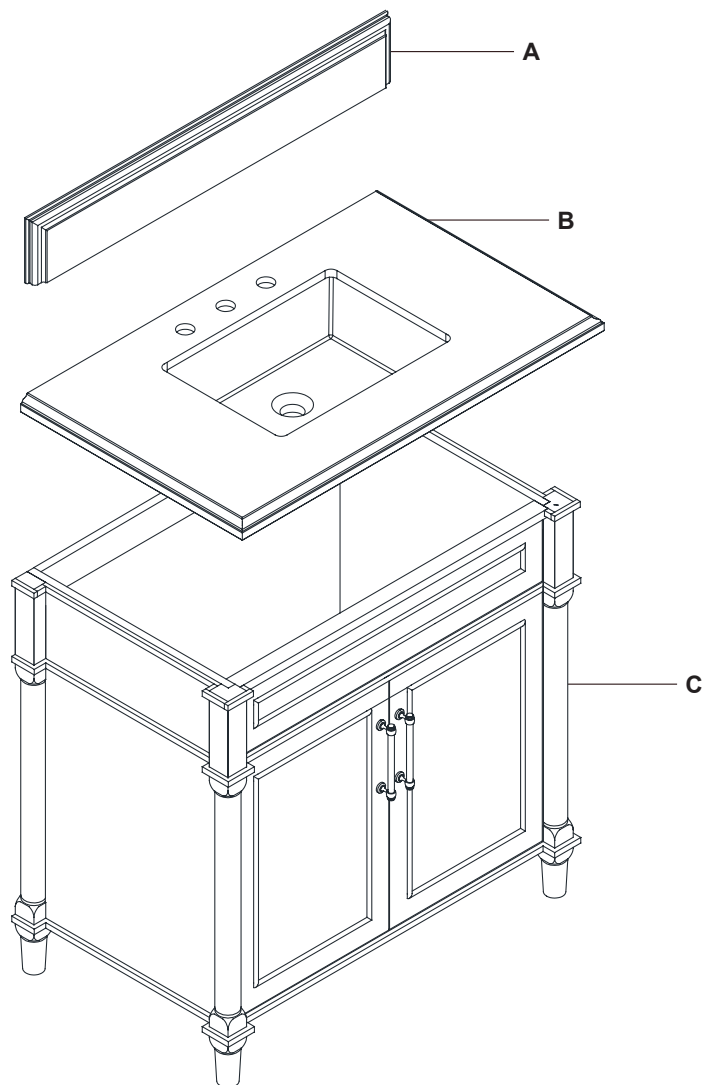
Silicone



Clean rag

Pre-Installation (continued)

PACKAGE CONTENTS



Part	Description	Quantity
A	Backsplash	1
B	Countertop	1
C	Vanity	1

Installation

1 Unpacking the countertop

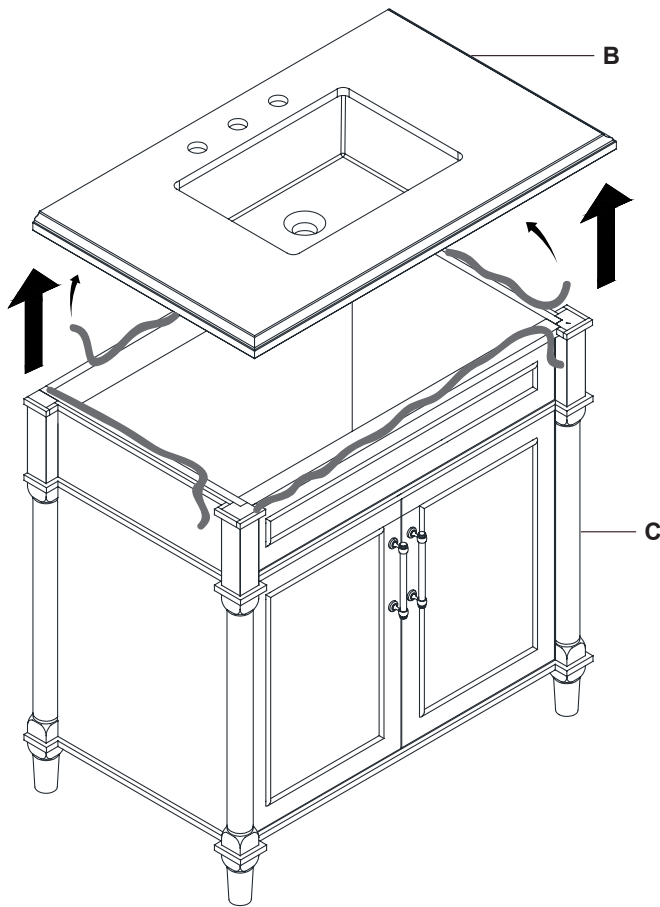


DANGER: You will need at least two people to install this product properly.



CAUTION: During the unpacking and the handling of this vanity, note that the basin is not pre-glued to the frame.

- Unpack the countertop (B) from its vanity (C) and place it on a throw rug or other protective floor covering material to prevent damage to the countertop (B) or floor.
- Tear off the protective rubber strips above the vanity (C).

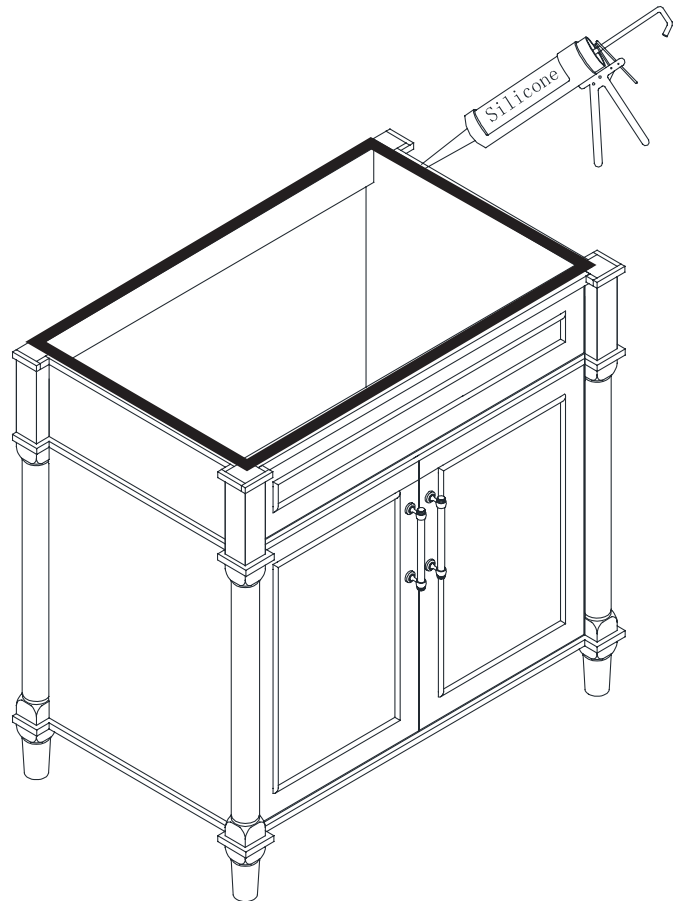


2 Attaching the countertop



CAUTION: Wear a pair of rubber gloves to protect your hands.

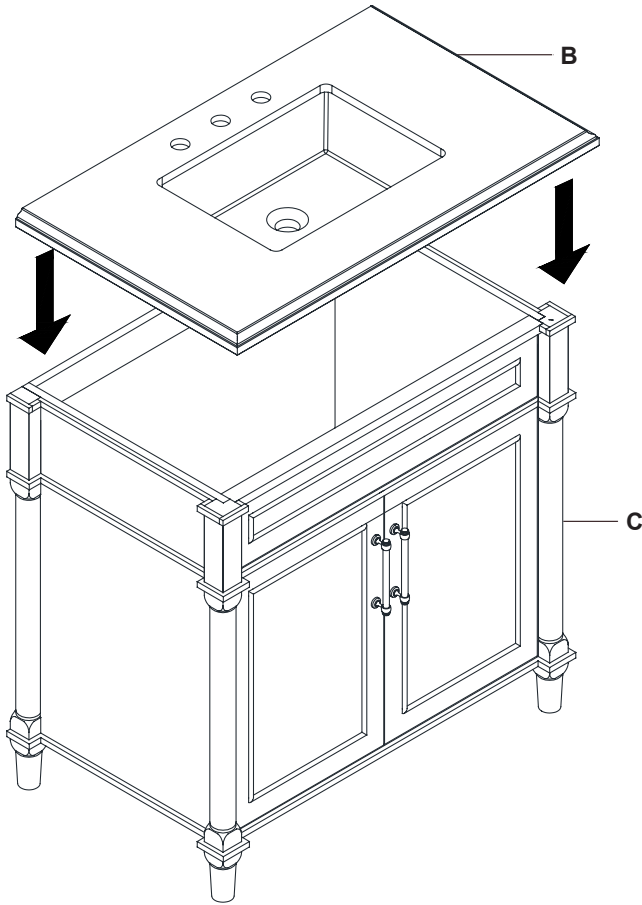
- Apply lines of silicone onto the top of the vanity.



Installation (continued)

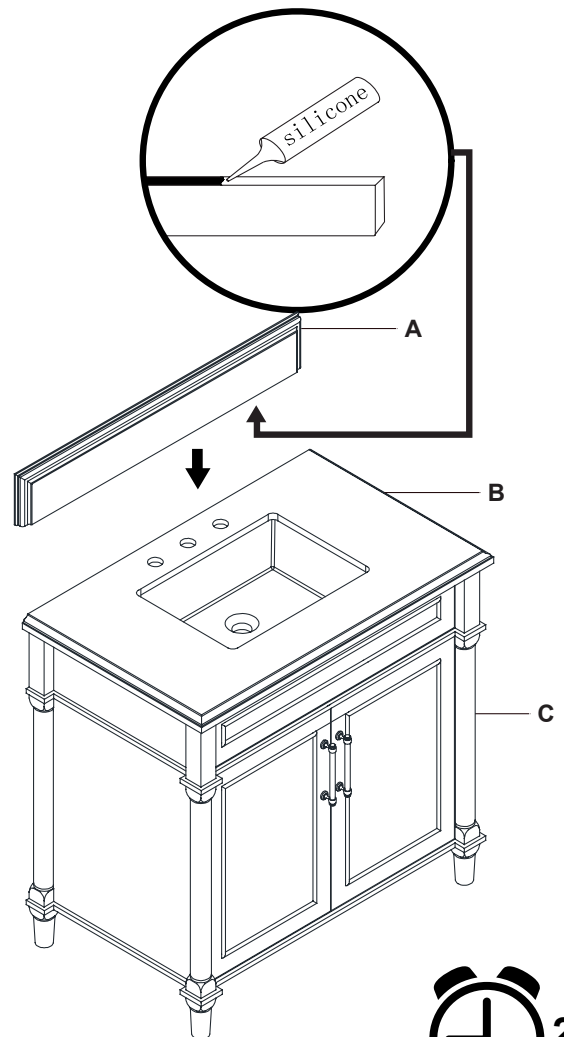
3 Attaching the countertop

- Place the countertop (B) on top of the vanity (C).



4 Attaching the backsplash

- Wipe off the area on the top of the countertop (B) where the backsplash (A) will sit using a clean rag.
- Apply a line of silicone onto the bottom of the backsplash (A).
- Align the backsplash (A) with the back edge. Slowly lower it onto the countertop (B) and gently press to adhere.
- Wipe away any seeping silicone from underneath the backsplash (A) with a clean rag.
- Allow the vanity to dry for 24 hours before use.



Care and Cleaning

MARBLE VANITY TOP CARE AND CLEANING

- Liquid spills, such as alcohol, medications, etc should be cleaned up promptly. Some liquids with high-acid content can etch marble surfaces if left for any length of time. Popular products that should be promptly cleaned up are: shaving cream, toothpaste, perfume, cologne, nail polish remover, hair coloring and perm products, shampoo, drain opener, and toilet bowl cleaner.
- Place protective pads on the bottoms of any heavy objects, such as pottery, appliances, or other objects that may scratch the marble surface.
- Avoid abrasive cleaners or rough cleaning pads. If necessary, you can use a soft buffing pad.
- Use coasters under drinking glasses to prevent glass rings on the surface.
- Do not stand on the marble top to fix overhead lights or other items. Do not place extremely heavy items on the top.

CABINET CARE AND CLEANING

- Clean with a furniture polish and a clean, soft, dry, lint-free cloth. Clean in the direction of the wood grain.

HOME DECORATORS COLLECTION

Questions, problems, missing parts? Before returning to the store,
call Home Decorators Collection Customer Service
8 a.m. - 7 p.m., EST, Monday - Friday, 9 a.m. - 6 p.m., EST, Saturday

1-800-986-3460

HOMEDEPOT.COM/HOMEDECORATORS

Retain this manual for future use.