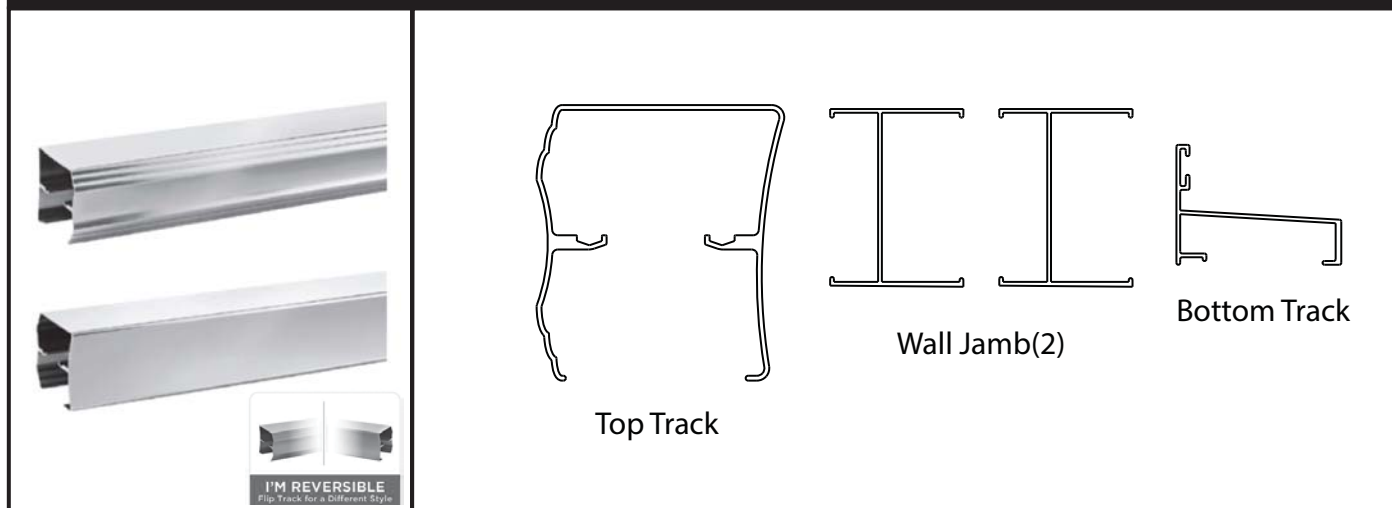


TECHNICAL DATA

Shower Door

SLIDING TRADITIONAL STYLE SHOWER TRACK 48" - 60"



MATERIALS:

Anodized Aluminum Excursions (Track), Bronze Finish is Powder Coated.

INSTALLATION:

Detailed Instructions and Hardware Included for Easy Installation.

UNIQUE FEATURE:

Reversible Top Track Offers Two Unique Design Options.
Constructed of Corrosion Resistant Anodized Aluminum.

48" - 60" Track Assembly Kit:

48" Sliding Shower: Fits Doors with an Opening min/max of 43-3/8" - 47-3/8" (110cm-120cm), with a 70" (178cm) Height.

60" Sliding Shower: Fits Doors with an Opening min/max of 50-1/8" - 59-3/8" (127cm-151cm), with a 70" (178cm) Height.

60" Sliding Tub: Fits Doors with an Opening min/max of 50-1/8" - 59-3/8" (127 cm-151cm), with at least 2" (5cm) clearance above the final track height.

WARRANTY:

5 Year Limited Warranty.

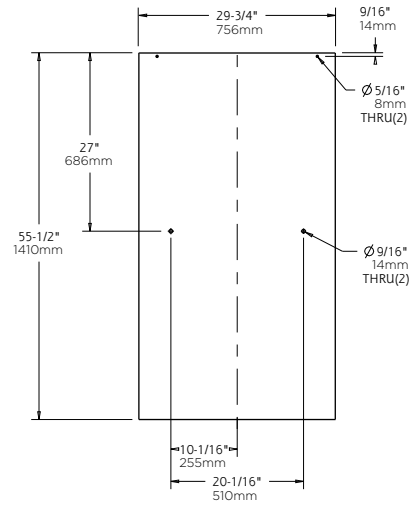
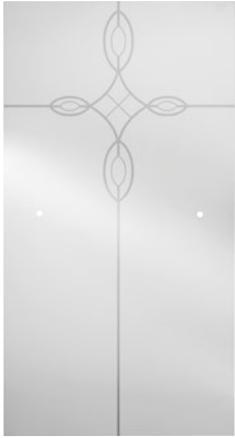


see what Delta can do™

TECHNICAL DATA

Shower Door

SLIDING BATHUB 60" GLASS PANEL



MATERIALS:

1/4" (6mm) Tempered Glass Panel.

INSTALLATION:

Detailed Instructions and Hardware Included for Easy Installation.

UNIQUE FEATURE:

Traditional: Fits Doors with an Opening min/max of 50 1/8" - 59 3/8" (127cm-151cm), with a Height of 58 1/8" (148cm)
Contemporary: Fits Doors with an Opening min/max of 50 1/8" - 58 1/2" (127cm-149cm), with a Height of 58 3/4" (149cm)
Mod: Fits Doors with an Opening min/max of 50 1/8" - 58 1/2" (127cm-149cm), with a Height of 59" (150cm)

WARRANTY:

5 Year Limited Warranty.

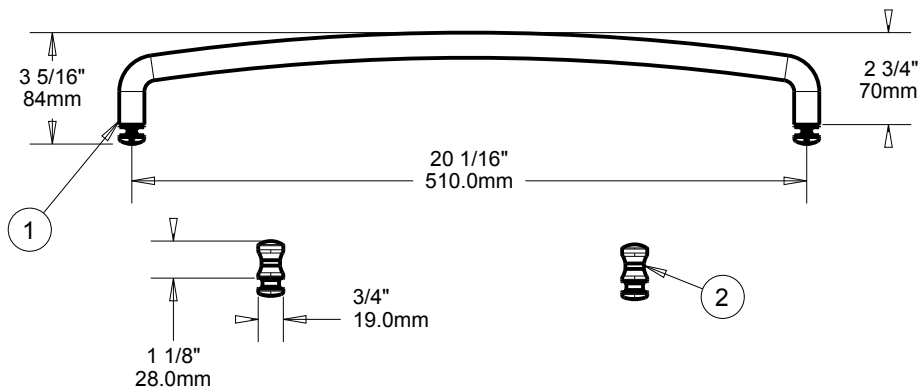
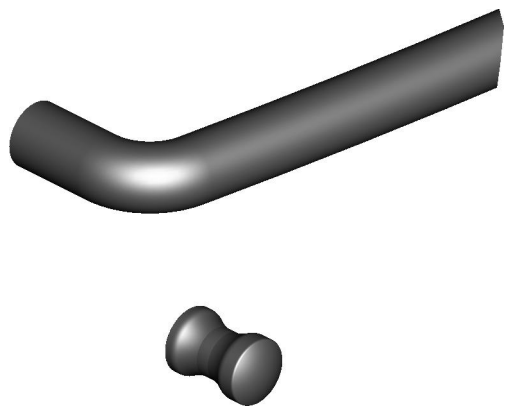


see what Delta can do™

TECHNICAL DATA

Shower Door

SIMPLICITY HANDLE WITH KNOBS



MATERIALS: Aluminum Bar, Zinc Knobs (Brushed Nickel and Oil Rubbed Bronze), Aluminum Knobs (Chrome).

INSTALLATION: Detailed Instructions and Hardware Included for Easy Installation.

UNIQUE FEATURE: Coordinates with Delta® Faucets and Bath Hardware. Compatible with all Delta® Sliding Bathtub or Shower Doors.

WARRANTY: 5 Year Limited Warranty.



see what Delta can do