

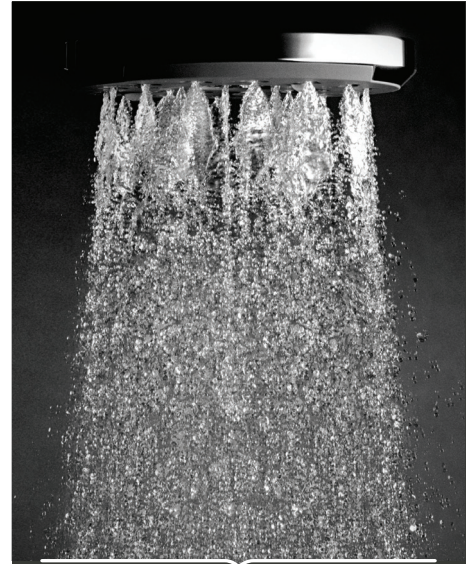
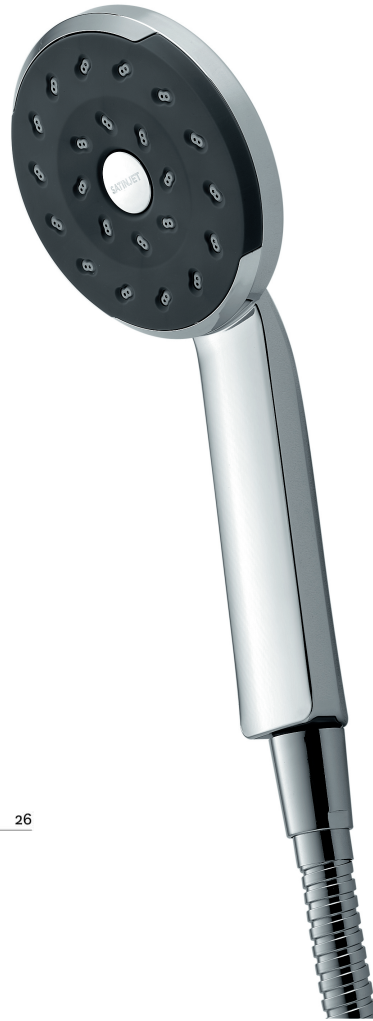
METHVEN

Satinjet®



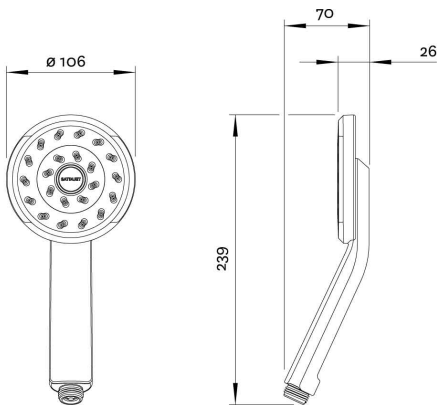
Kiri

Satinjet® KIRI HANDSET



Satinjet®. The unmistakable feeling of 300,000 droplets per second.

Unlike conventional showers, Satinjet uses unique twin-jet technology to create optimum water droplet size and pressure, with over 300,000 droplets per second providing greater warmth and coverage. The result is an immersive, full-body experience.



CONSTRUCTION: Chrome-plated

CLASSIFICATION: Suitable for **all pressure** systems

INLET CONNECTIONS: 1/2" BSP Male

WORKING PRESSURE: 35 - 500kPa

OPERATING TEMPERATURE: 5 °C - 70 °C

WATERFLOW RATE: 8.0l/pm (mains pressure) - 9.0l/pm (low pressure)

- Low maintenance Satinjet® single function shower
- Easy-clean coating on faceplate
- Optimized to 9.0 l/pm
- 3 star WELS rated on mains pressure (8.0 l/m)
- 3 star WELS rated on low pressure (9.0 l/pm)

KIHPCP

Chrome

<http://www.methven.com/nz/kiri-satinjet-shower-handset-with-hose>