

weatherables
by USA Vinyl

Fence Post

Installation Guide

GENERAL POST INSTALLATION

IMPORTANT

When installing your fence or gate, we recommend a minimum of 2" clearance between the bottom of the panel and the ground. This will allow enough clearance for the gate to swing freely. Measure, assemble and install your gates first (even pre-cut gate kits). The installed gate will set the height of the fence being installed. Failure to do so may result in a poor installation. Dry fit the cut rails into gate socket posts. Make any needed adjustments prior to gluing your gates. For various reasons, gate sizes may vary in width. Post and caps sold separately.

1 Survey land for special features such as obstructions, underground cables, or concrete from the old fence. Be sure to follow all local building codes and obtain a building permit if necessary. Contact your local utilities prior to digging.

2 Install the line stakes (secure stakes firmly) and run a string line 1.5" to 2" off of the ground, (see figure 3 located on page 2.) Line should not be distorted. Avoid tall grass, weeds and other obstructions. The line should be very tight!

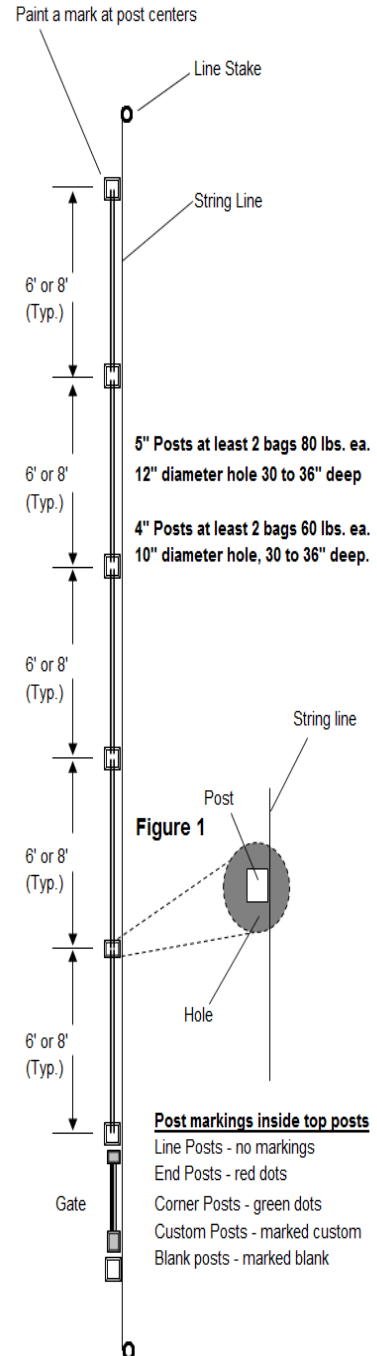
3 Use a tape measure to measure and mark where the posts are to be installed. Most of the posts are to be installed 72" or 96" from center of post to center of post. The Semi-Privacy panels will have a 97" from center of post to center of post layout. **Always follow the information on your C.A.D. diagram.**

4 Remove string line leaving the stakes and dig the post holes. For 5" posts you will need a 12" dia. hole and for 4" posts you will need 10" dia. hole. Accuracy in the depths will help to simplify post installation. Run a string line on side of posts to insure fence line is straight. (See figure 1). The recommended depth of holes is 30" - 36". Check local codes and frost lines as greater depth may be required for your specific area. **NOTE: If installing with Fast 2k, the manufacturer recommends the diameter of the post holes as 6" in diameter for a 4" post and 8" in diameter for a 5" post.**

5 We recommend installing 1 post and 1 section at a time but there are many methods to install. As long as the end result is positive, feel free to alter this method to suit your installation needs. Concrete and plumb the first post and insert assembled panel rails into the first post. Next, have the second post sitting in the adjacent hole, insert assembled panel rails into the second post, then concrete and plumb. Repeat for all panels and posts.

6 To insure a quality job, it is strongly recommended that all posts be set in concrete. To do this, hold post in place to prevent slippage. Fill remainder of hole around post with concrete to 3" below ground level. Be sure to work concrete into hole around post as needed. We recommend you mix concrete and pour wet. Use a minimum of 2 of the 80 lbs. bags of quickcrete for each 5" post and 2 of the 60 lbs. bags for each 4" post.

7 **Recommended:** drill holes (1/4" bit) through the underside of rails to allow water to escape. If your bottom rails have ribs as shown in figure 2, you will need a bit long enough (1/4"x4") to drill through the upper rib. **Recommended: If you are filling the inside of your post with concrete you must drill holes to prevent sagging.**



HELPFUL HINTS:

- If post does not already have a concrete hole from the factory, drill a hole at least 3/4" dia. 12" up from bottom of post. This will help concrete get into post.
- When gluing picket caps, place a thin bead of glue inside the picket and press picket cap into place.
- Post caps should not be glued in the event you want to upgrade to a different style. A small amount of clear silicone on the inside corner of post cap will secure cap to post.
- Clean fence using a formula of 1/3 Cup powdered detergent, 2/3 Cup household cleaner and 1 gallon water. Rinse thoroughly.
- For stain removal use either lacquer thinner or soft scrub with bleach. Rinse thoroughly with water after using either of these.

HIGH WIND INSTALLATION

If the fence is over 6' tall or you are located in a high wind area it is mandatory that you will fill the inside of the posts at least 22" above grade with concrete AFTER THE PANELS ARE INSTALLED. Prior to installing panels into the posts tape the lower rail to prevent concrete backflow.

